

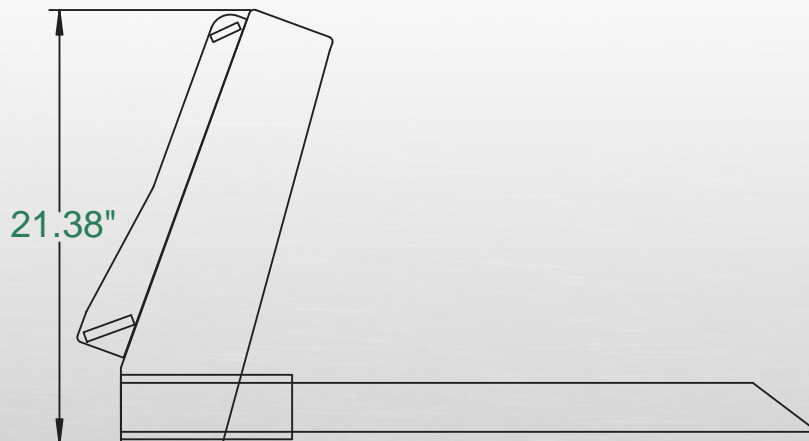
Light Duty Manure Forks



These forks are useful for manure and general pick up of materials when you only want to pick up the item and not the soil around it. The tines slide in through the front and are pinned from the rear.

- Recommended for machines under 55 HP.
- 1-1/2" cold rolled steel tines

Light Duty Manure Forks Specs





These forks are useful for manure and general pick up of materials when you only want to pick up the item and not the soil around it. The tines slide in through the front and are pinned from the rear.

- Recommended for machines under 55 HP.
- 1-1/2" cold rolled steel tines
- 2"x10" cylinder

Manure Fork Grapple Specs

