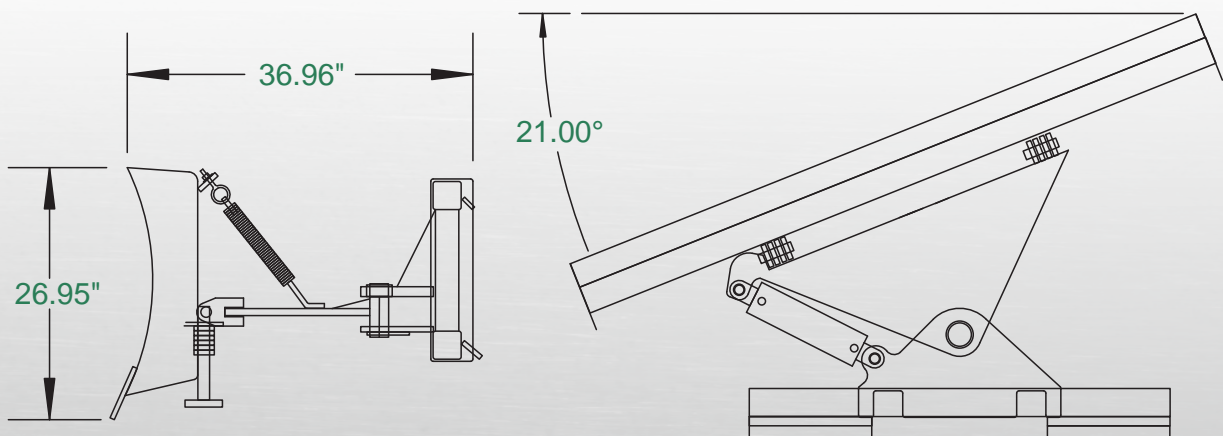




Our Light Duty Snow Plow allows you to quickly clear driveways and parking lots. This plow is designed for compact tractors under 45 HP. Easily angle the plow with the 3" x 6" hydraulic cylinder.

- Designed for compact tractors
- Available in manual angle
- 3" x 6" hydraulic cylinder
- Available sizes: 60", 72"

Light Duty Snow Plow Specs



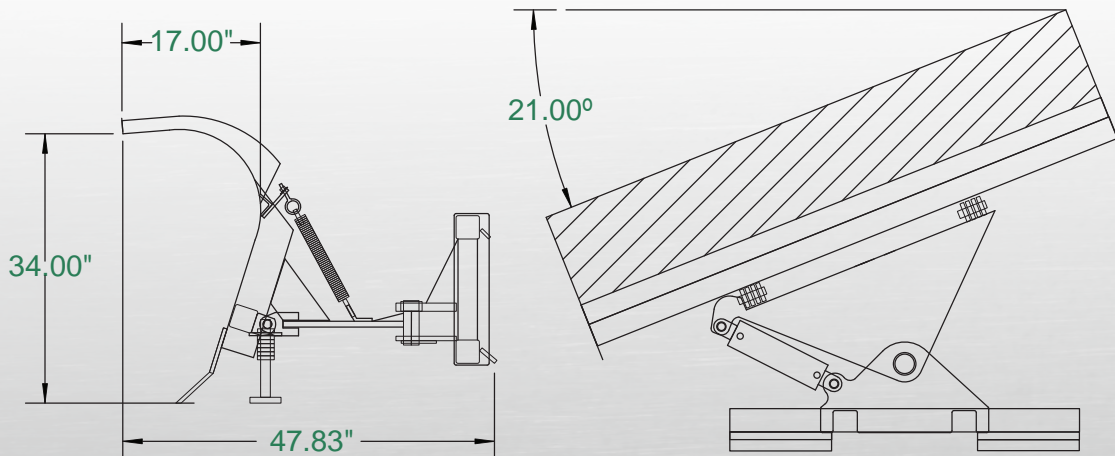
X-treme Snow Plow



Our X-treme Snow Plow allows you to efficiently clear driveways and parking lots. Easily angle the plow from within your cab, using the 3" x 6" hydraulic cylinder. The top of the plow is rolled to keep the snow from coming back towards the cab. It's 1/2" bolt on cutting edge and adjustable snow shoes are standard.

- Easily angle the plow from inside the cab
- 3" x 6" hydraulic cylinder
- 1/2" bolt on cutting edge
- Adjustable snow shoe
- Available sizes: 72", 84", 96"

X-treme Snow Plow Specs



X-treme Snow Pusher



Our X-treme Snow Pusher allows you to clear a parking lot quicker than a snow plow. The snow pusher edge is 1-1/2" thick x 8" wide, adjustable, reversible and replaceable rubber so you won't tear up the pavement. The mold board is 1/4" and the sides are 5/16" thick for extra support.

- 1-1/2" thick x 8" wide replaceable rubber edge protects pavement
- 5/16" thick sides for extra support
- Available sizes: 72", 84", 96"

X-treme Snow Pusher Specs

