



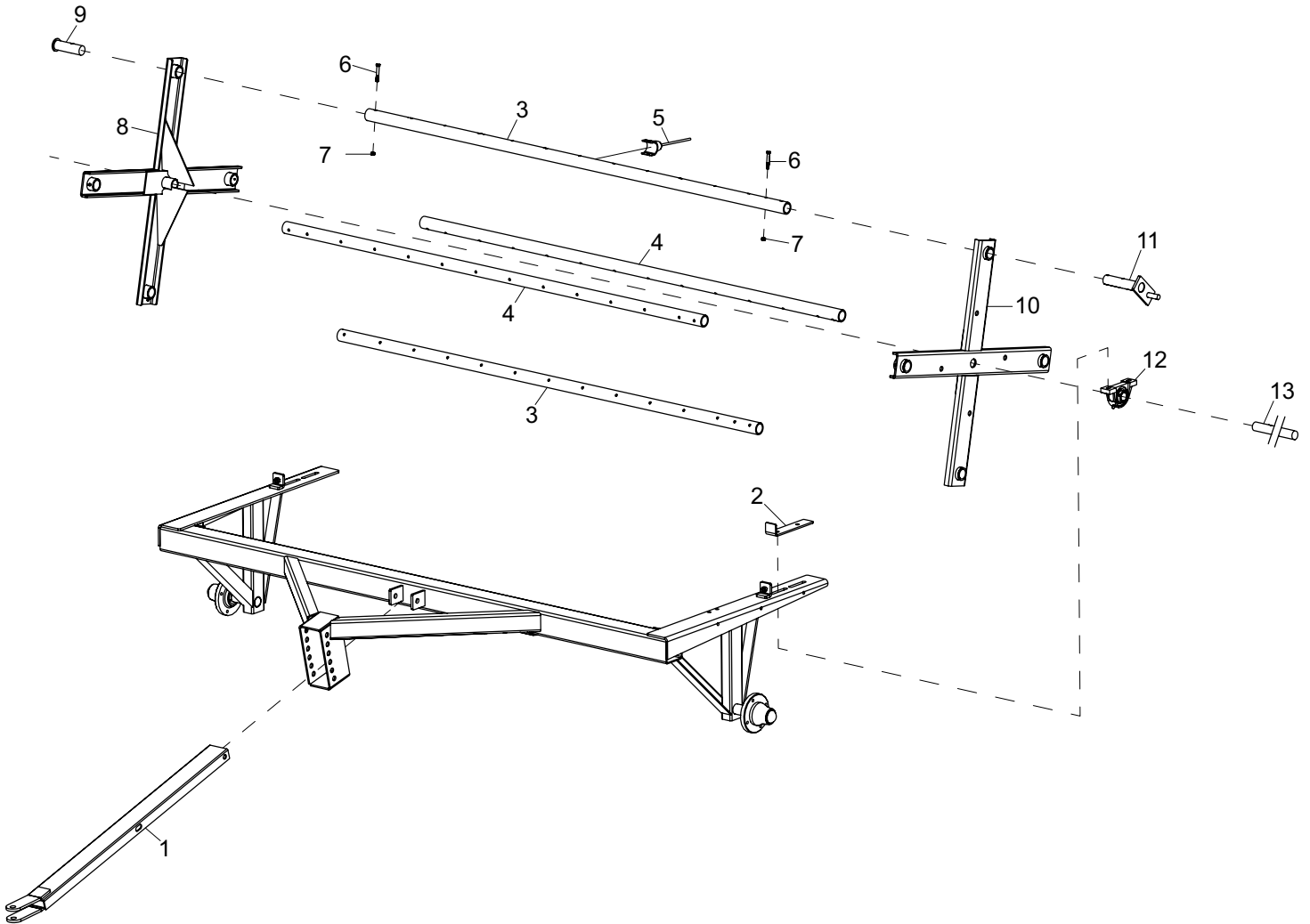
# 710/910 PTO Drive Fluffer Tedder

## Illustrated Parts Breakdown

<b>Page 1</b>	<b>Frame and Reel, 710P</b>
<b>Page 2</b>	<b>Frame and Reel, 910P</b>
<b>Page 3</b>	<b>Cam Roller Assembly</b>
<b>Page 4</b>	<b>PTO Drive System</b>
<b>Page 5</b>	<b>Gearbox Assembly S/N -10,000</b>
<b>Page 6</b>	<b>Gearbox Assembly S/N 10,000+</b>
<b>Page 7</b>	<b>PTO Shaft, S/N -10,000</b>
<b>Page 8</b>	<b>PTO Shaft, S/N 10,000+</b>

---

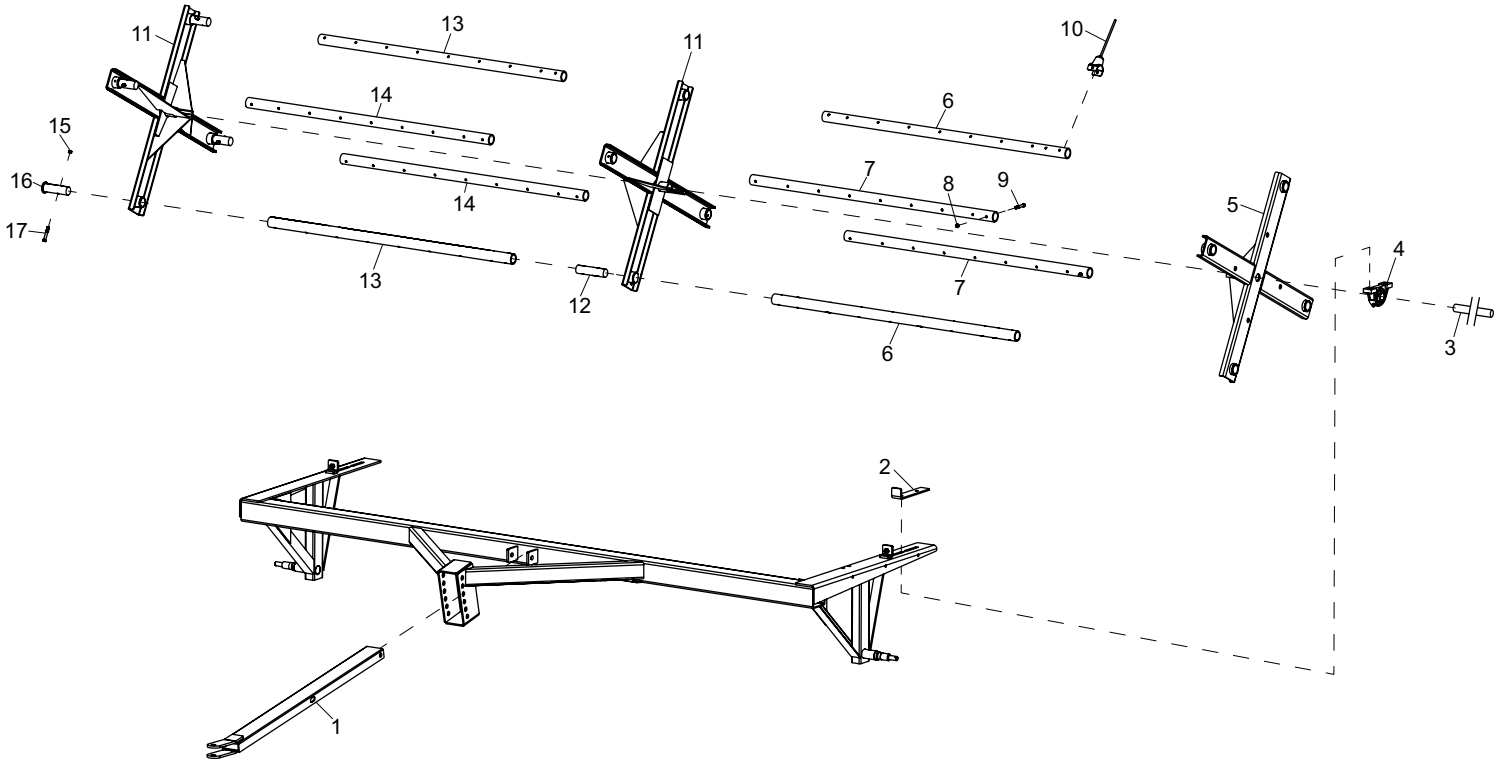
# Frame and Reel, 710P



ID	Description	Part #
1	Tongue Weldment	700267
2	Bearing Holder	700182
3	13 Tine Reel Pipe	700197
4	12 Tine Reel Pipe	700196
5	Tine	700184
6	3/8" x 2-1/2" Hex Head Bolt	000300
7	3/8" Hex Nut	000915

ID	Description	Part #
8	Cross Arm Weldment	700042
9	Reel Pipe Stud Weldment	700068
10	Crank Cross Arm Weldment	700050
11	Crank Arm Stud Weldment	700072
12	1-3/8" Pillow Block Bearing	700183
13	710G Reel Shaft	700313

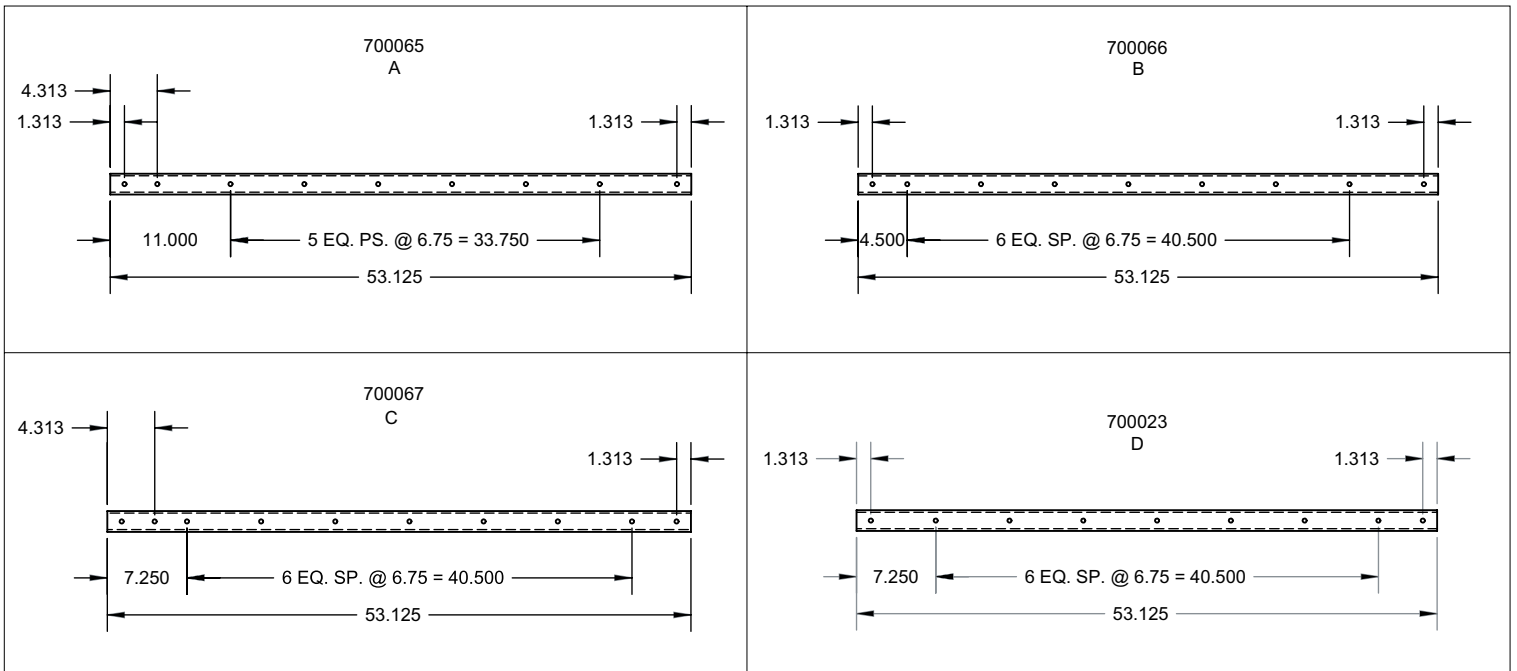
# Frame and Reel, 910P



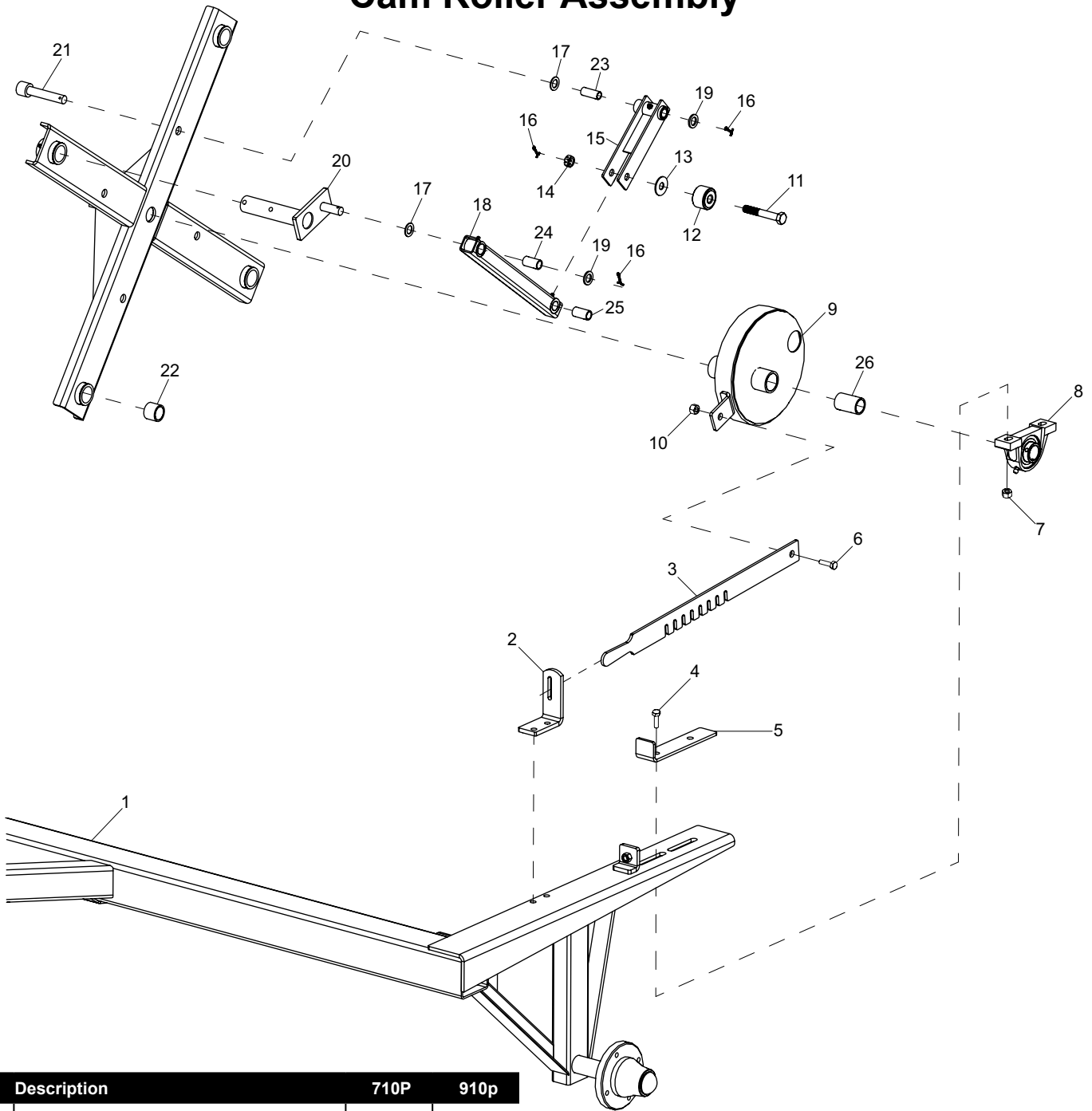
ID	Description	710P	910P
1	Tongue Assembly	700000	
2	Bearing Holder	700182	
3	1-3/8" Reel Shaft	700195	700064
4	1-3/8" Pillow Block Bearing	700183	
5	Left Crank Cross Arm Assembly	700050	
6	Reel Pipe, Left (10 Holes)	700067	
7	Reel Pipe, Left (9 Holes)	700065	
8	3/8" Hex Nut	000915	
9	3/8" x 2-1/2" Bolt	000300	

ID	Description	710P	910P
10	Fluffer Tedder Tine	700184	
11	Cross Arm Weldment	700042	
12	Reel Pipe Stud, Center	700071	
13	Reel Pipe B, Right	700066	
14	Reel Pipe D, Right	700023	
15	3/8" Hex Nut	000915	
16	Reel Pipe Stud, Right	700068	
17	3/8" x 2-1/2" Bolt	000300	

See illustrations below when ordering reel pipes.



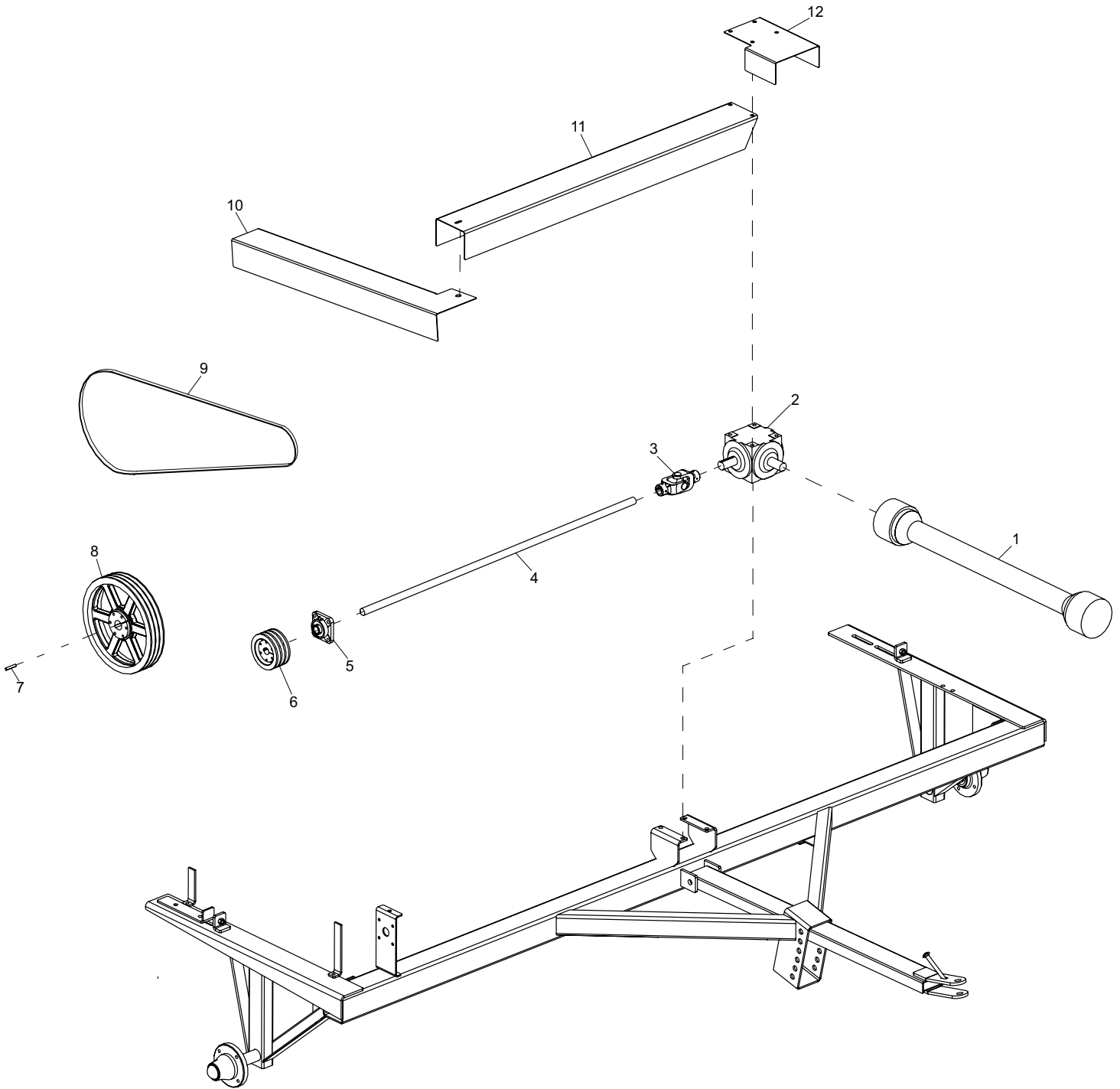
# Cam Roller Assembly



ID	Description	710P	910p
1	Frame	700190	700005
2	Lever Bracket		700181
3	Tine Pitch Adjustment Lever		700180
4	9/16" x 2-1/4" Hex Head Bolt		000600
5	Bearing Holder		700182
6	5/8" x 1-1/2" Hex Head Bolt		000610
7	9/16" Hex Nut		000965
8	1-3/8" Pillow Block Bearing		700183
9	Cam Roll Box Weldment		700094
10	5/8" Hex Nut		000970
11	Cam Roller Bolt		700090
12	Cam Roller Bearing		700089
13	5/8" USS Flat Washer		001075
14	5/8" Slotted Hex Nut		700021
15	Crank Arm Holder Weldment		700083

ID	Description	710P	910P
16	5/32" x 1-1/4" Cotter Pin		400406
17	3/4" x 1-1/4" Bushing, 14 Ga.		400148
18	Crank Arm Fab Assembly		700076
19	3/4" x 1-1/4" Bushing, 10 Ga.		400146
20	Crank Arm Stud		700072
21	Reel Arm Stud Pin		700058
22	Crank Cross Arm Bushing		700054
23	Crank Arm Holder Bushing		700087
24	Crank Arm Bronze Bushing, Crank Side		700080
25	Crank Arm Bronze Bushing, Holder Side		700081
26	Cam Roll Box Bronze Bushing		700099

# PTO Drive System

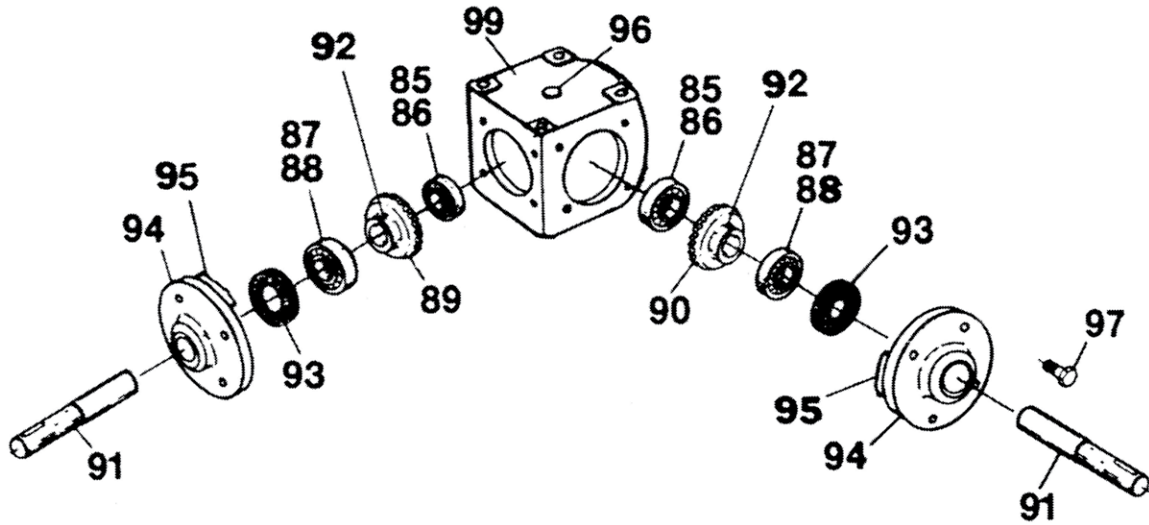


ID	Description	710P	910p
1	PTO Shaft	700200	700104
2	Gearbox	700234	700138
3	H Joint	700254	700162
4	Drive Shaft	700260	700169
5	1" 4 Bolt Flange Bearing	700053	
6	5 Inch Pulley with Bushing	700261	700171

ID	Description	710P	910P
7	.313 x 1.750 Key	500217	
8	14 Inch Pulley with Bushing	700199	700198
9	B-92 Belt	700174	
10	Belt Shield Weldment	700056	700057
11	Drive Line Shield	700264	700176
12	Gear Box Shield	700263	700175

# 710/910 Tedder Gearbox

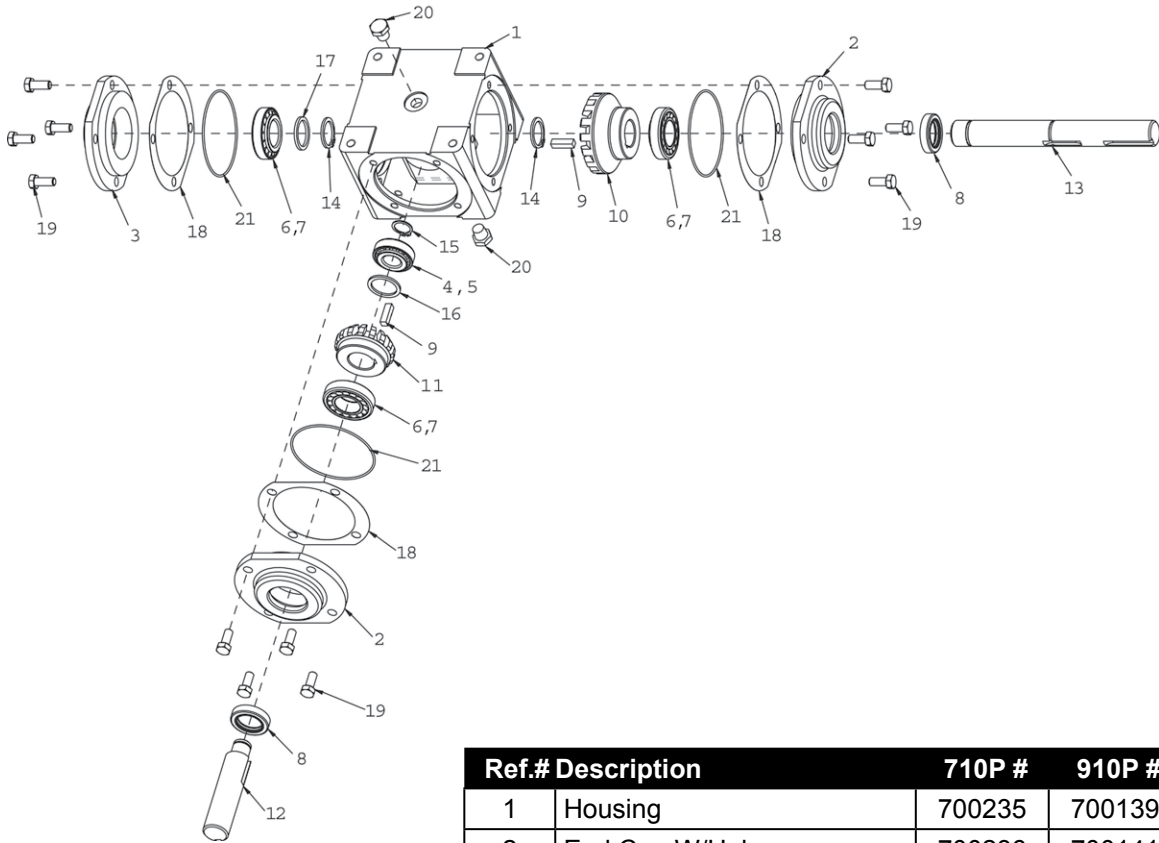
(Serial Numbers before 10,000)



Ref.#	Description	710P #	910P #
85	Race	700238	700143
86	Bearing	700237	700142
87	Bearing	700147	700837
88	Race	700148	700838
89	Gear	700827	700839
90	Gear	700828	700840
91	Shaft	700829	700841
92	Roll Pin	700830	700842
93	Oil Seal	700831	700357
94	Cover Top	700832	700844
95	Gasket	700833	700845
96	Vented Plug	700834	700846
97	Cover Top Bolt	700835	700835
99	Gear Box Housing	700836	700848

# 710/910 Tedder Gearbox

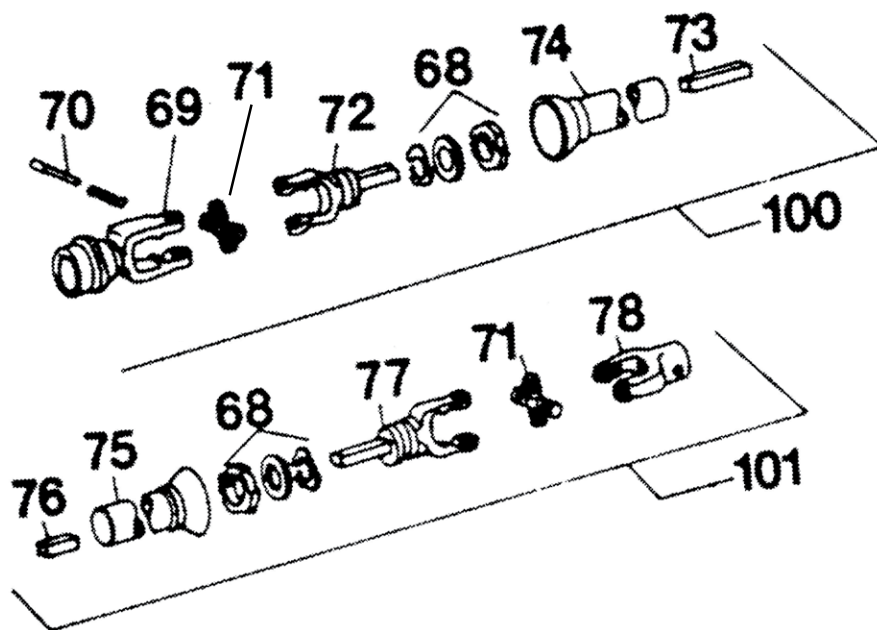
(Serial Numbers after 10,000)



Ref.#	Description	710P #	910P #
1	Housing	700235	700139
2	End Cap W/Hole	700236	700141
3	End Cap	700252	700140
4	Bearing Cone	700237	700147
5	Bearing Cup	700238	700148
6	Bearing Cone	700147	700142
7	Bearing Cup	700148	700143
8	Seal	700240	700149
9	Key	700242	700145
10	Gear	700247	700160
11	Gear	700253	700153
12	Short Shaft	700249	700154
13	Long Shaft	700250	700155
14	Snap Ring	700884	700144
15	Snap Ring	700885	700884
16	Spacer	700251	700890
17	Spacer	700241	700146
18	Gasket	700886	700889
19	Cap Screw	700245	700150
20	Pipe Plug	700244	700152
21	O-Ring	700887	700888

# 710/910 Tedder PTO Shaft

(Serial Numbers before 10,000)

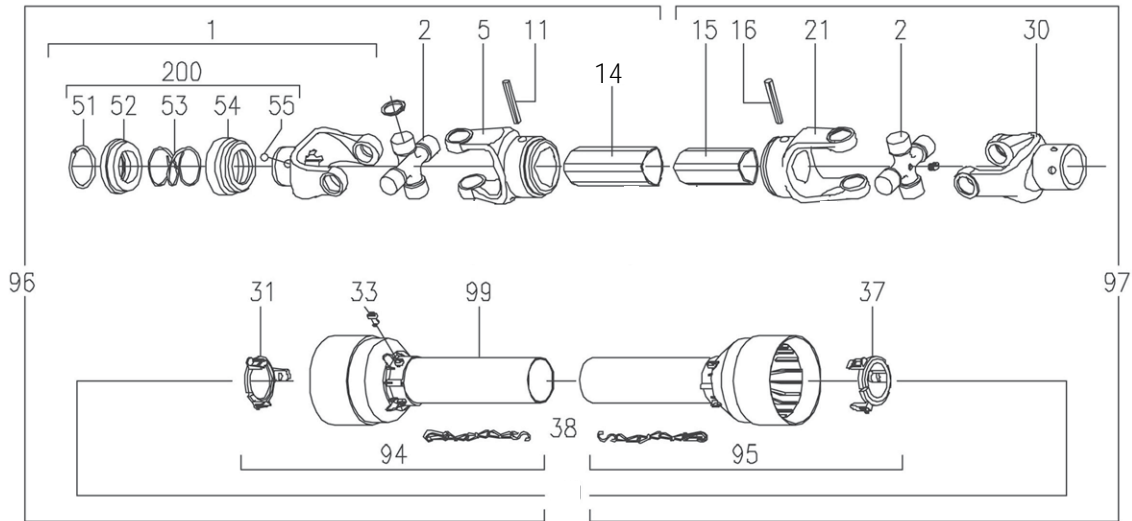


Ref.#	Description	710P #	910P #
68	PTO Shield Bearing	700327	700860
69	Snap Hitch Yoke	700857	700861
70	Pin, Spring, & Keeper	700329	700862
71	U-Joint Repair Kit	700858	700863
72	Yoke (weld) bar	NA	NA
73	Rectangular Shaft "per ft."	NA	NA
74	Inner Plastic Shield	700325	700864
75	Outer Plastic Shield	700326	700865
76	Rectangular Tube "per ft."	NA	NA
77	Yoke (weld) Tubing	NA	NA
78	Implement Yoke	700859	700866



# 710/910 Tedder PTO Shaft

(Serial Numbers after 10,000)



Ref.#	Description	710P #	910P #
1	Complete Collar Yoke C12	700218	700867
2	Cross Journal Kit	700220	700868
5	Outer Yoke	700219	700869
11	Roll Pin	700224	700870
14	Outer Tube	700206	700871
15	Inner Tube	700207	700872
16	Roll Pin	700209	700224
21	Inner Yoke	700204	700873
30	Implement Yoke	700202	700874
31	Outer Guard Retaining Collar	700229	700875
33	Plastic Locking Bolt	700230	700230
37	Inner Guard Retaining Collar	700214	700876
38	Safety Chain	700213	700213
51	Outer Circle Clip	700210	700210
52	Sliding Sleeve Collar	700211	700211
53	Spring	700212	700212
54	Fixed Sleeve	700221	700221
55	1/2" Ball	700222	700222
94	Outer Guard Complete	700225	700880
95	Inner Guard Complete	700217	700881
96	Complete Front Half	700231	700882
97	Complete Rear Half	700201	700883
	Complete PTO Shaft	700200	700104
200	Collar Kit	700856	700856
	Set Screw	001130	001130