



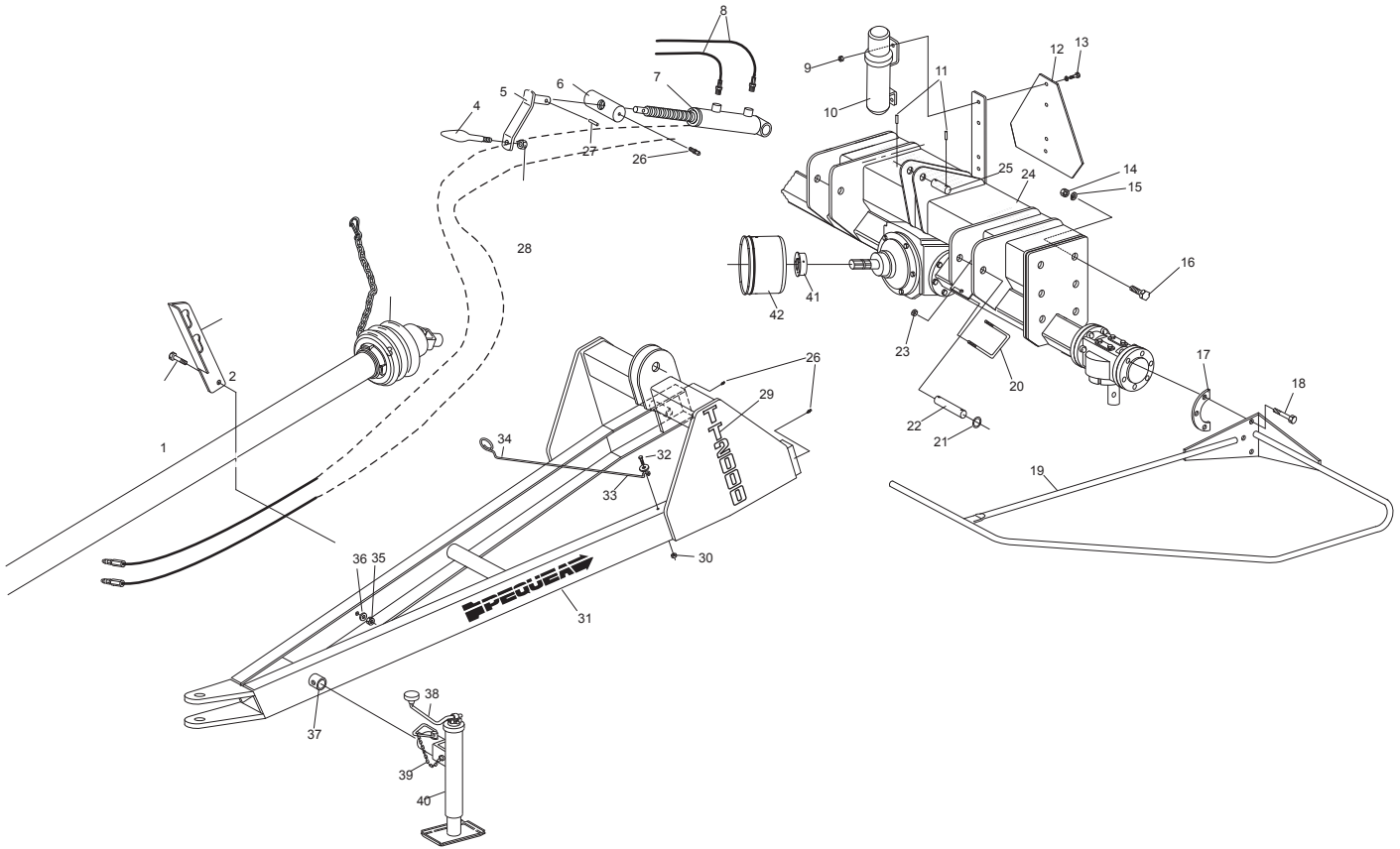
# TT2000 Rotary Tedder

## Illustrated Parts Breakdown

- Page 1 Main Assembly**
- Page 2 Rotor Assembly**
- Page 3 Gearbox Assembly**
- Page 4 Input Gearbox Assembly**
- Page 5 Outer Gearbox Assembly**
- Page 6 PTO Shaft Assembly**



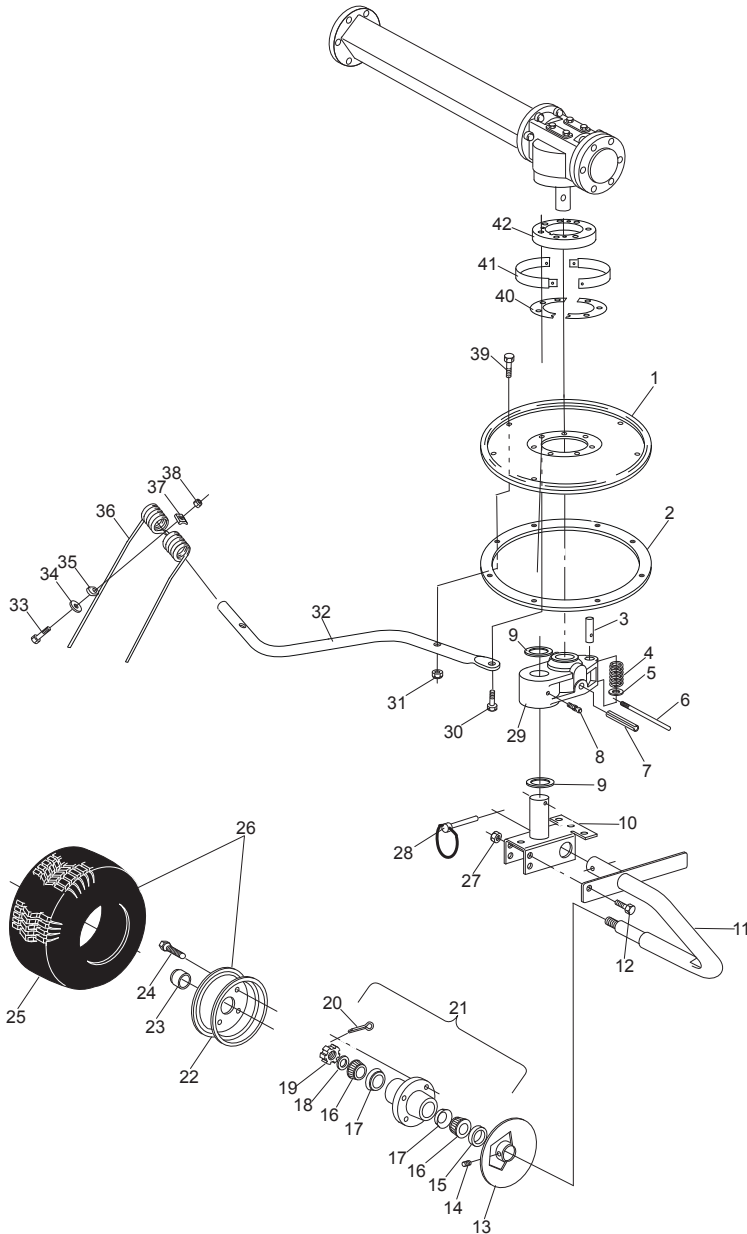
# TT2000 Main Assembly



Ref#	Description	Part#
1	Bolt, 3/8 x 1	000270
2	PTO Stand	500015
3	PTO Shaft Complete	701034
4	Stainless Steel Handle	502149
5	Cylinder Handle	503037
6	Threaded Cylinder Mount	502218
7	Cylinder	701050
8	Hose	701039
9	Hex Nut, 1/4"	000900
10	Owner's Manual Canister	503050
11	Roll Pin, 1/4 x 1-3/4	500187
12	SMV Emblem	507166
13	Bolt, 1/4 x 1	100148
14	Nut, 5/8	000970
15	Lock Washer, 5/8	000860
16	Bolt, 5/8 x 1-1/2	000610
17	Spacer	701006
18	Bolt, M10 x 40	002415
19	Guard Assembly	701090
20	U-Bolt	000535
21	Machinery Bushing	500185

Ref#	Description	Part#
22	Tongue Mounting Pin	701035
23	Nut, 1/2	000940
24	Tunnel Assembly	700922
25	Cylinder Pin	701021
26	Grease Fitting	400117
27	Roll Pin, 1/4 x 1-3/4	500187
28	Nylon Jam Nut, 3/8	000920
29	Decal Kit, TT2000	701051
30	Locknut, 5/16	002999
31	Tongue Assembly	700936
32	Bolt, 5/16 x 1-1/4	000230
33	Heavy Duty Washer	502308
34	Hose Support	502288
35	Hex Nut, 3/8	000915
36	Flat Washer, 3/8	001035
37	Jack Mount Bracket	500005
38	Jack Handle	500010
39	Pin & Chain	500012
40	Complete Jack	500009
41	Shield Mounting Bracket	701303
42	Shield	701205

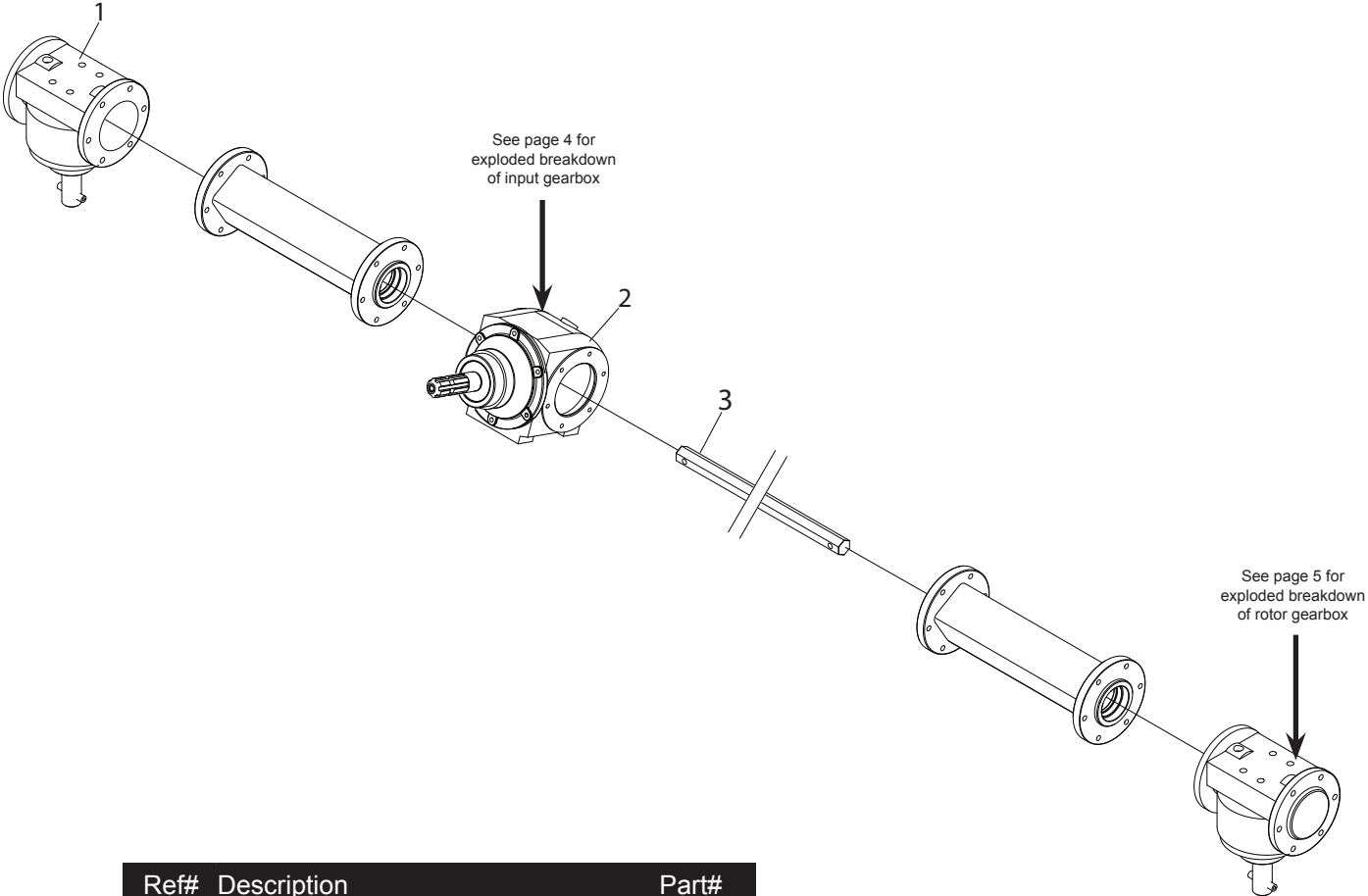
# TT2000 Rotor Assembly



Ref#	Description	Part#
*1	Tine Mounting Plate (S/N 20000-30285)	701100
*1	Tine Mounting Plate (S/N 30286+)	700950
*2	Retaining Plate (S/N 20000-30285)	701300
*2	Retaining Plate (S/N 30286+)	700942
3	Spindle Adjustment Pin	701026
4	Spindle Adjustment Spring	701027
5	Washer	401442
6	Spindle Adjustment Handle	701025
7	Roll Pin, M12 x 60	702019
8	Grease Fitting, M8 x 1	702015
9	1-3/8 Machinery Bushing	001510
10	Spindle Mount Assembly	700913

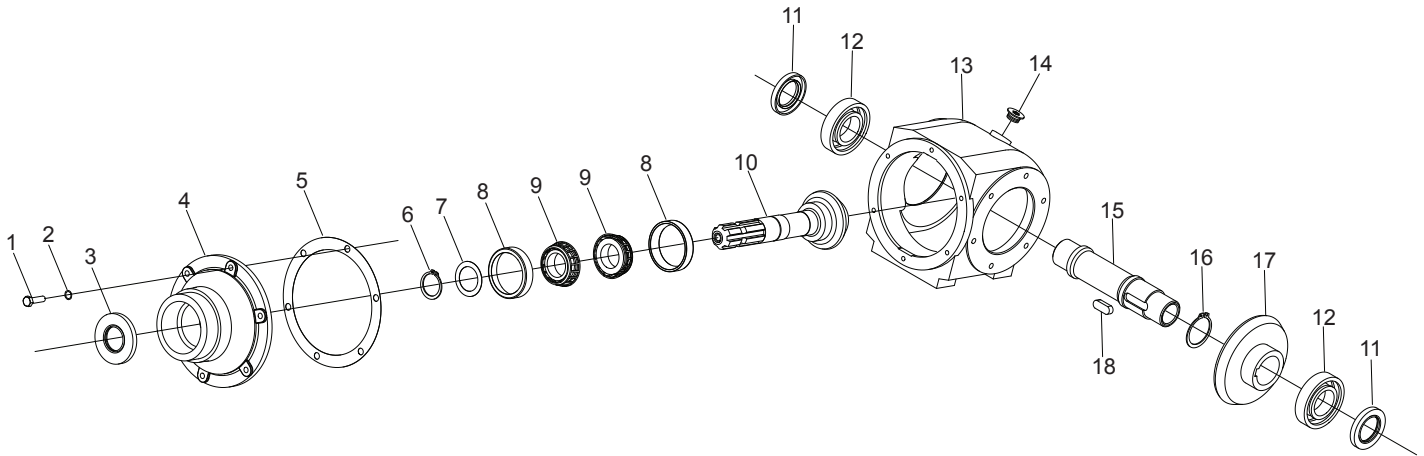
Ref#	Description	Part#
11a	Spindle Assembly, Left	700960
11b	Spindle Assembly, Right	700961
12	Bolt, 1/2 x 1-1/4	000421
13	Wheel Cover	701002
14	Set Screw, 3/8 x 3/8	001130
15	Grease Seal	500201
16	Bearing, L44643	500202
17	Race, L44610	500204
18	Spindle Washer	500206
19	Spindle Nut	500207
20	Cotter Pin	500208
21	Complete Hub	500199
22	4-Bolt Rim	500222
23	Dust Cap	500209
24	Lug Bolt	500210
25	215/60-8 Tire	500221
26	Rim & Tire Assembly	500220
27	Locknut, 1/2	000950
28	Lynch Pin, 7/16	701048
29	Spindle Connector Assembly	701200
30	7/16 x 1-1/2 Flange Bolt	000725
31	Locknut, 7/16	000385
*32	Tine Arm (S/N 20000-30285)	701001
*32	Tine Arm (S/N 30286-40000)	701170
*32	Tine Arm (S/N 40001+)	701207
33	Bolt, 1/2 x 3 Grade 8	000471
34	Bottom Tine Washer	701004
35	Tine Pitch Adjustment Washer	701005
36a	Gray Tine, Clockwise Rotation	700929
36b	Black Tine, Counter Clockwise Rotation	700901
37	Radius Washer	701008
38	Locknut, 1/2	000950
39	Bolt, 7/16 x 2-1/2	000375
40	Retaining Plate	700943
41	Hay Guard (half circle)	701185
	Hay Guard Kit (2 halves plus hdwr)	701185K
42	Rake Flange	702002

# TT2000 Gearbox Assembly



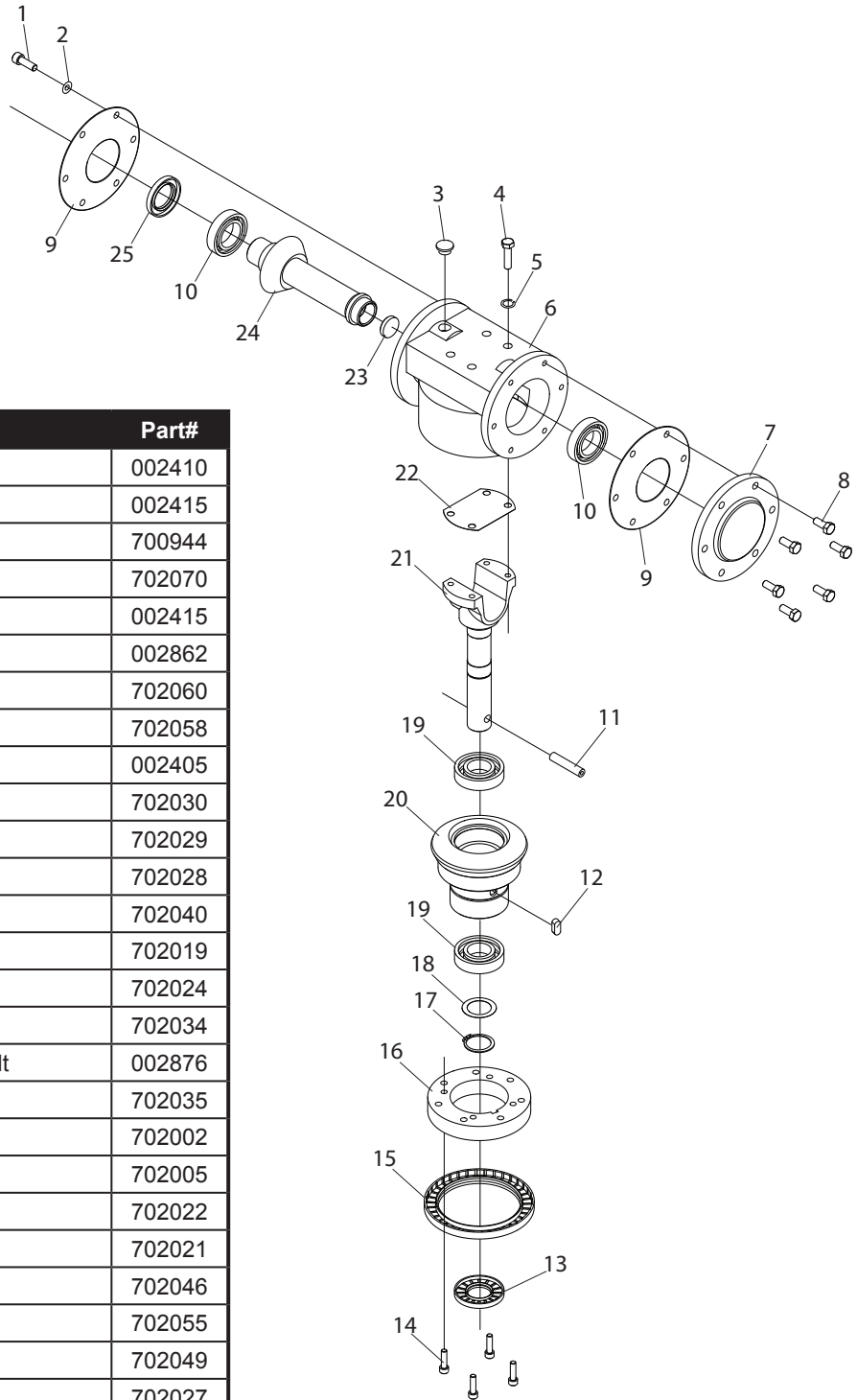
Ref#	Description	Part#
1	Rotor Gearbox, Complete	702092
2	Input Gearbox, Complete	702090
3	Hex Drive Shaft	702051

# Input Gearbox Assembly



Ref#	Description	Part#
1	M8-1.25 x 30 Hex Head Bolt	002875
2	Lockwasher, M8	002860
3	Oil Seal, 35 x 72 x 8	702034
4	Cap, Cantilevered	702059
5a	Shim, Cantilevered Cap 0.1MM	702033
5b	Shim, Cantilevered Cap 0.2MM	702032
5c	Shim, Cantilevered Cap 0.5MM	702031
6	Retaining Ring, 35MM Ext.	702005
7a	Shim, 0.2MM	702022
7b	Shim, 0.3MM	702021
8	Bearing, Tapered Cup - 30207	702043
9	Bearing, Tapered Cone - 30207	702042
10	Pinion, 20 tooth 1-3/8 - 6A Spline	702056
11	Seal, 40 x 62 x 8	702036
12	Ball Bearing, 6208	702045
13	Housing, HT75B	702062
14	Breather Plug	702070
15	Shaft, Hex Bore	702047
16	Retaining Ring, 45MM Ext.	702006
17	Gear, 35 Tooth	702053
18	Rectangular Key, 12 x 8 x 32	702023

# Outer Gearbox Assembly

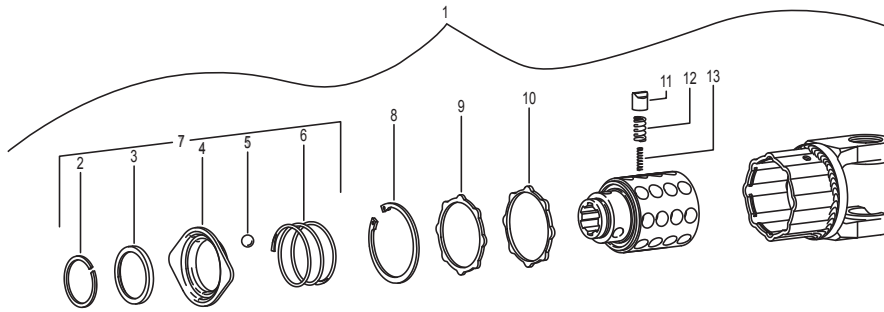


Ref#	Description	Part#
1a	**Socket Head Bolt, M10 x 30	002410
1b	**Hex Head Bolt, M10 x 40	002415
2	M10 Nord-Lock Washer	700944
3	Breather Plug	702070
4	Hex Head Bolt, M10 x 40	002415
5	Split Lock Washer, M10	002862
6	Housing, HT75B Outboard	702060
7	Cap, Blank	702058
8	M10-1.50 x 25 Hex Head Bolt	002405
9a	Shim, 0.1mm	702030
9b	Shim, 0.2mm	702029
9c	Shim, 0.5mm	702028
10	Ball Bearing, 6008	702040
11	Roll Pin, 12mm x 60mm	702019
12	Rectangular Key, 10 x 8 x 20	702024
13	Seal, 35 x 72 x 8	702034
14	M8-1.25 x 30 Socket Head Bolt	002876
15	Seal, 120 x 160 x 12	702035
16	Rake Flange	702002
17	Retaining Ring, 35mm Ext.	702005
18a	Shim, 0.2mm	702022
18b	Shim, 0.3mm	702021
19	Ball Bearing, 6207	702046
20	Gear, 35 Tooth	702055
21	Spindle Shaft	702049
22a	Shim, Spindle 0.2mm	702027
22b	Shim, Spindle 0.3mm	702026
22c	Shim, Spindle 0.5mm	702025
23	Plug, Pressed Fit	702014
24	Pinion, Outboard - 20 Tooth	702054
25	Seal, 40 x 62 x 8	702036

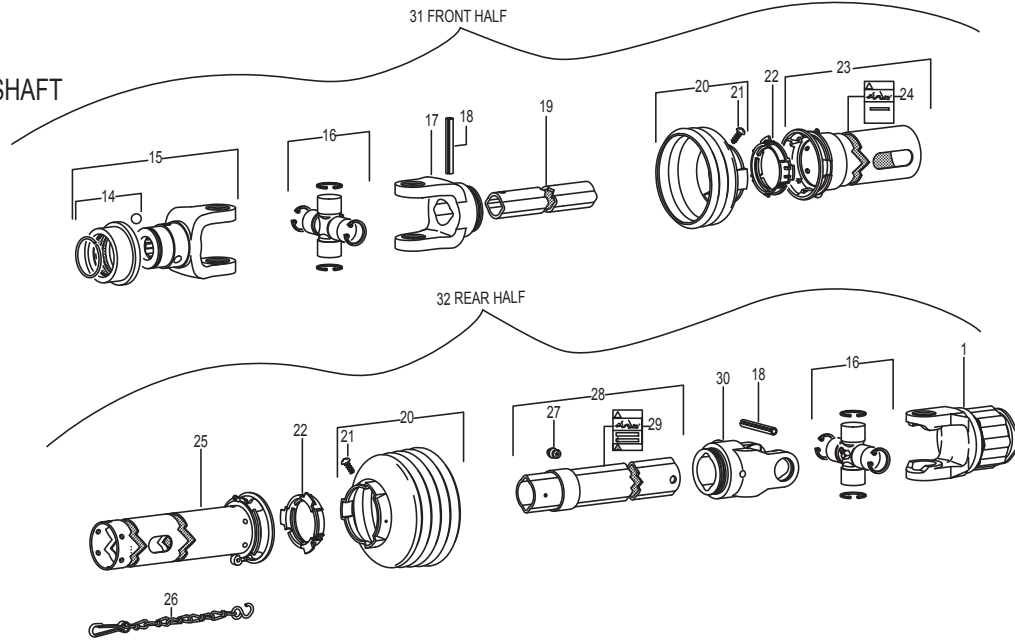
\*\* Earlier models used Hex Head Bolt

# PTO Shaft Assembly

CLUTCH



SHAFT



Ref#	Description	Part#
1	Radial Pin Clutch	702275
2	Retaining Ring	500048
3	Flanged Collar	500047
4	Lock Collar	500046
5	Ball 1/2	500044
6	Compression Spring	500045
7	Locking Flange Kit	500050
8	Retaining Ring	500043
9	Thrust Ring	500042
10	Plastic Seal Ring	500041
11	Cam	500038
12	Outer Compression Spring	500039
13	Inner Compression Spring	500040
14	Collar Kit	702279
15	Yoke, 1-3/8" 6-Spline	702270
16	Cross & Bearing Kit	702259
17	Inboard Yoke	702271

Ref#	Description	Part#
18	Spring Pin, 10 x 65	500031
19	Inner Profile	702272
20	Shield Cone, 5-Rib	702276
21	Screw	500058
22	Bearing Ring	500052
23	Outer Shield Tube	702277
24	Decal	500059
25	Inner Shield Tube	702278
26	Safety Chain	500060
27	Grease Fitting	500062
28	Outer Profile	702273
29	Decal	500061
30	Inboard Yoke	702274
31	Front Half Shaft	702280
32	Rear Half Shaft	702281
33	Complete PTO Shaft	701034