

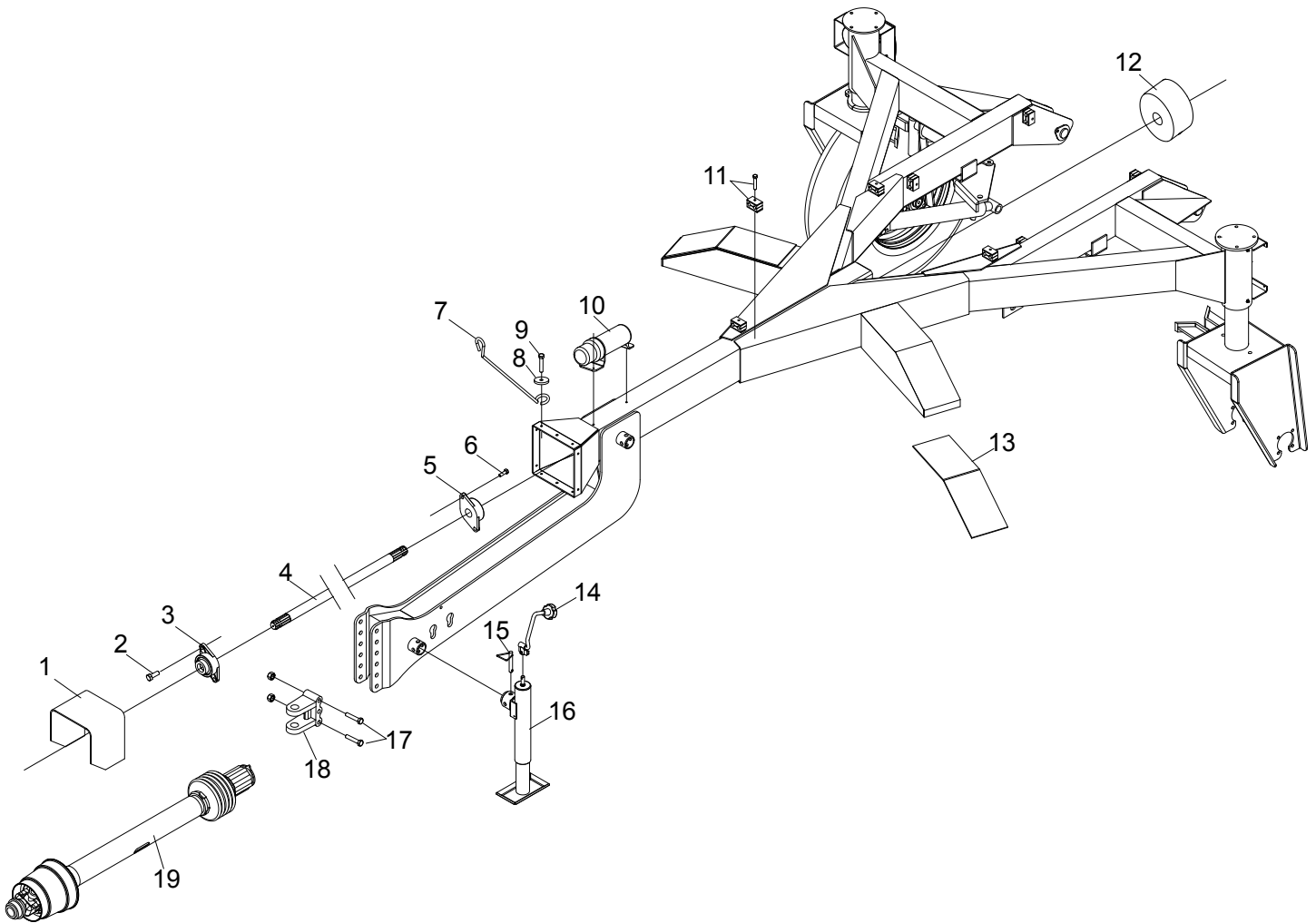


TT6000 Rotary Tedder

Illustrated Parts Breakdown

- Page 1 Chassis Assembly**
- Page 2 Transport Axle Assembly S/N -91565**
- Page 3 Transport Axle Assembly S/N 91565+**
- Page 4 Transport Lock Assembly**
- Page 5 Lift Frame Assembly**
- Page 6 Guards**
- Page 7 Rotor & Tine Arm**
- Page 8 Axle Assembly**
- Page 9 Gearbox & Frame Assembly**
- Page 10 Input Gearbox Assembly**
- Page 11 Pivot Gearbox Assembly**
- Page 12 End Gearbox Assembly**
- Page 13 PTO Shaft Assm S/N -89000**
- Page 14 PTO Shaft Assm S/N 89000+**
- Page 15 Hydraulics S/N -83290**
- Page 16 Hydraulics S/N 83290+**

Chassis Assembly

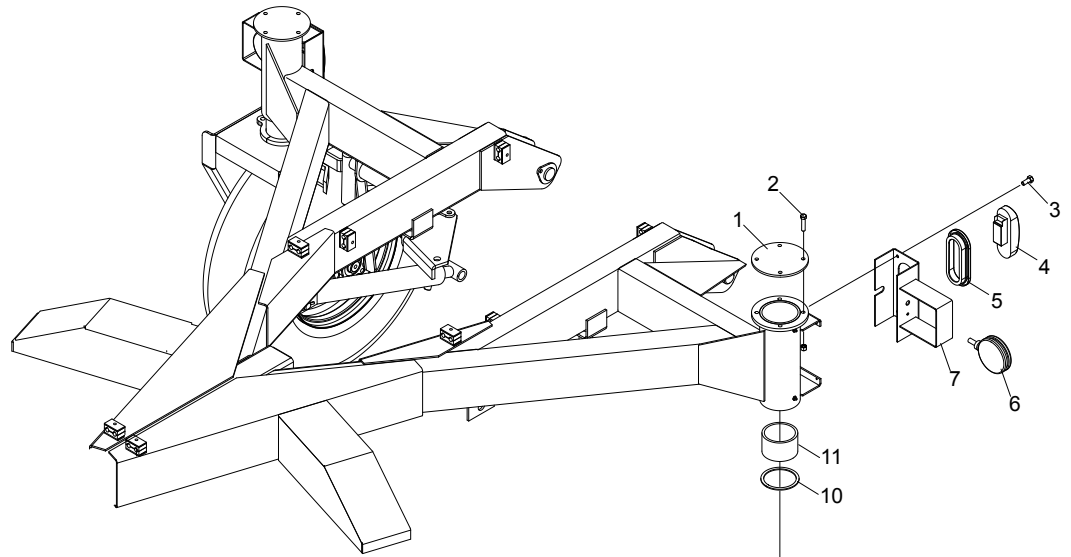


Ref#	Description	Part#
1	PTO Shield	702333
2	Bolt, 1/2 x 1-1/2	000435
3	Flange Bearing	505568
4	Drive Line	700917
5	Flange Bearing	505568
6	Bolt, 1/2 x 1-1/2	000435
7	Hose Support	502288
8	Hose Support Washer	502308
9	Bolt, 5/16 x 1-1/4	000230
10	Owner's Manual Canister	503050
11	Hose Block Kit	507294

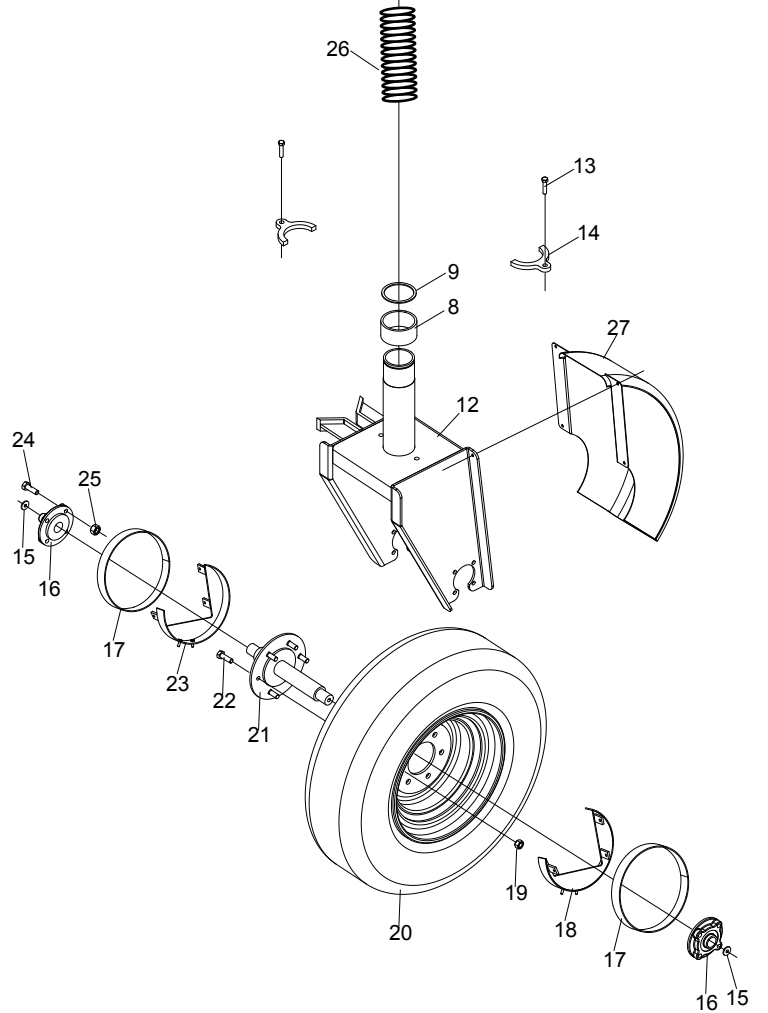
Ref#	Description	Part#
12	Plastic PTO Shield	701205
13	Plastic Guide	702436
14a	Jack Handle (Top Wind)	500010
14b	Jack Handle (Side Wind)	903318
15	Pin & Chain	102121
16a	Complete Jack (Top Wind)	500009
16b	Complete Jack (Side Wind)	903317
17	Hitch Bolt Kit	100079
18	Clevis Coupler	507018
19	Complete PTO Shaft	702097

* Top or side wind jacks fit on same mounting stub

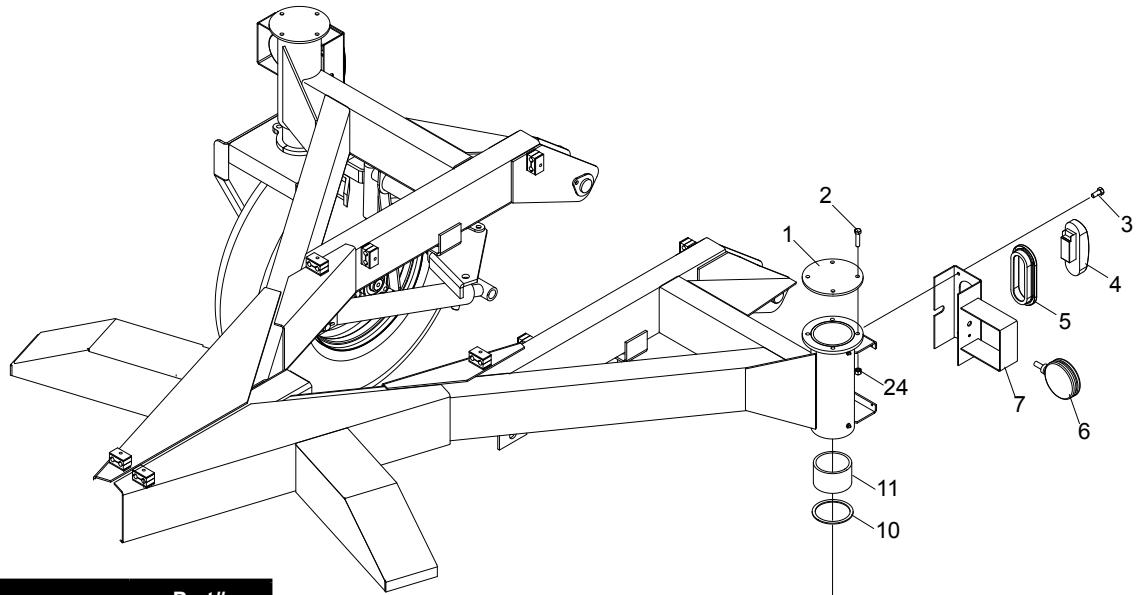
Transport Axle Assembly S/N -91565



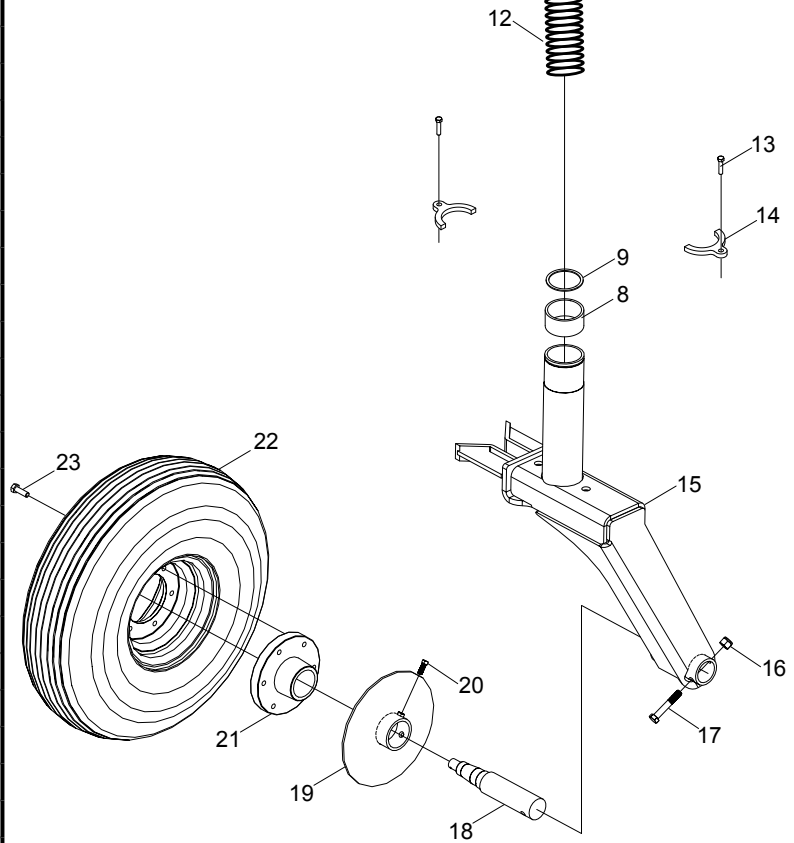
Ref#	Description	Part#
1	Spring Cap	702412
2	Bolt, 3/8 x 1-1/4	000275
3	Bolt, 1/4 x 3/4	000170
4	Oval Taillight, Red	100139
5	Oval Grommet	100140
6	Round Taillight, Amber	507164
7	Light Box	702506
8	Bronze Bushing	702339
9	3.500 Ext. Ring	702409
10	4" Ext.Spiral Retaining Ring	702408
11	Bronze Bushing	702340
12a	Dolly Wheel Frame, Left	702107
12b	Dolly Wheel Frame, Right	702108
13	Bolt, 1/2 x 1-1/2	000435
14	Dolly Spacer	702424
15	Spindle Washer	702354
16	1-1/4 Cartridge Bearing	702349
17	Hay Wrap Plastic Strip	702112
18	Hay Wrap Guard, Left	702113
19	Tapered Wheel Nut	101458
20	Wheel & Tire Assembly	702105
21	Wheel Shaft Weldment	702120
22	Bolt, 1/2-20 x 1-1/2 Grade 8	000436
23	Hay Wrap Guard, Right	702114
24	Bolt, 7/16 x 1-1/2	000360
25	Nut, 7/16	000935
26	Compression Spring	702370
27	Wheel Fender (Optional)	701216



Transport Axle Assembly S/N 91565+

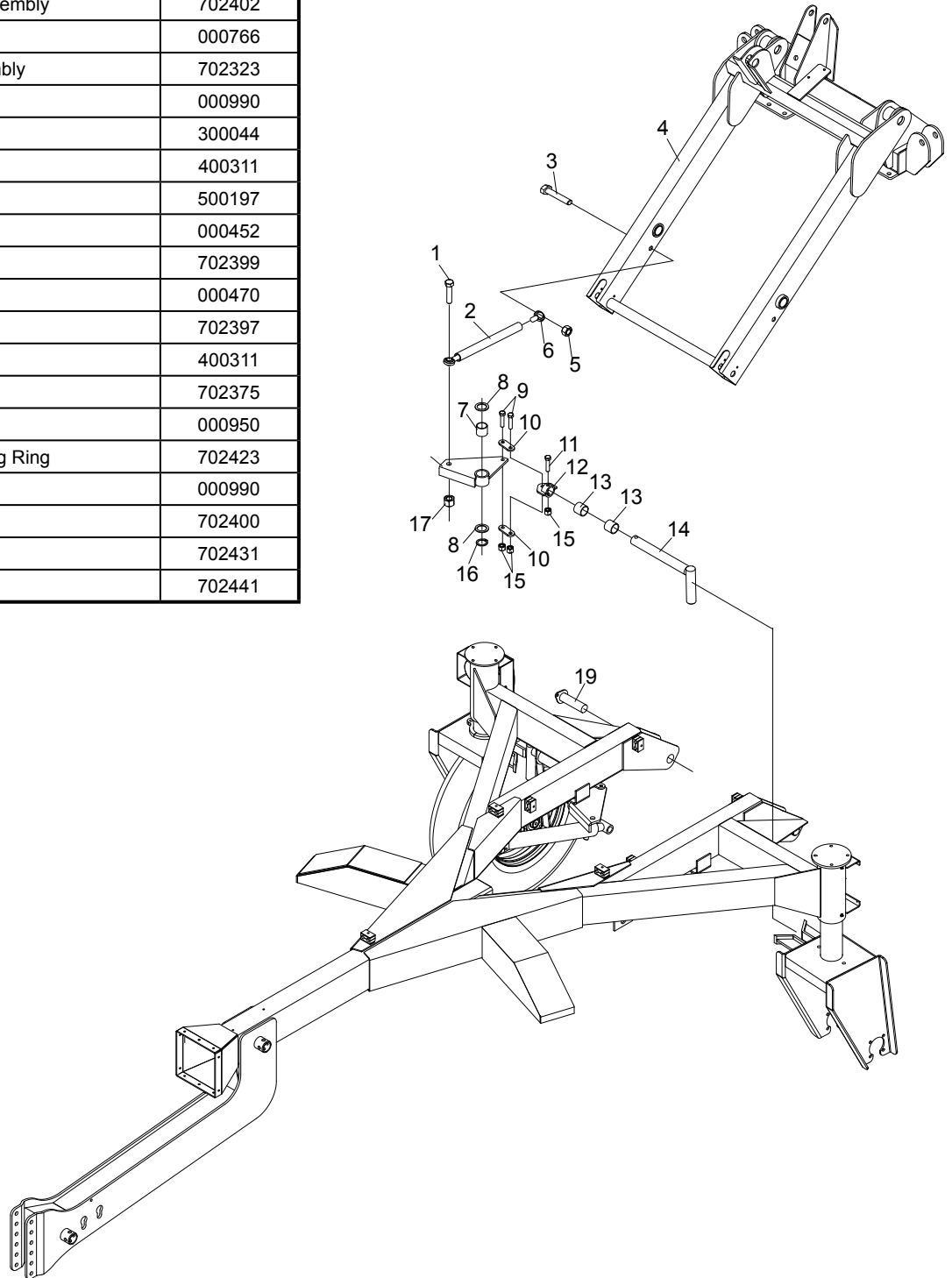


Ref#	Description	Part#
1	Spring Cap	702412
2	Bolt, 3/8 x 1-1/4	000275
3	Bolt, 1/4 x 3/4	000170
4	Oval Taillight, Red	100139
5	Oval Grommet	100140
6	Round Taillight, Amber	507164
7	Light Box	702506
8	Bronze Bushing	702339
9	3.500 Ext. Ring	702409
10	4" Ext.Spiral Retaining Ring	702408
11	Bronze Bushing	702340
12	Compression Spring	702370
13	Bolt, 1/2 x 1-1/2	000435
14	Dolly Spacer	702424
15	Dolly Frame Weldment, Left	703348
15a	Dolly Frame Weldment, Right	703347
16	1/2" Nylon Locknut	000950
17	Bolt, 1/2" x 3"	000470
18	G888 Spindle	703042
19	Hay Wrap Guard	703043
20	Set Screw, 3/8" x 1" Cup Point	703047
21	G888 Hub Complete	300122
22	Wheel and Tire Assembly	702105
23	1/2" Lug Bolt	300037

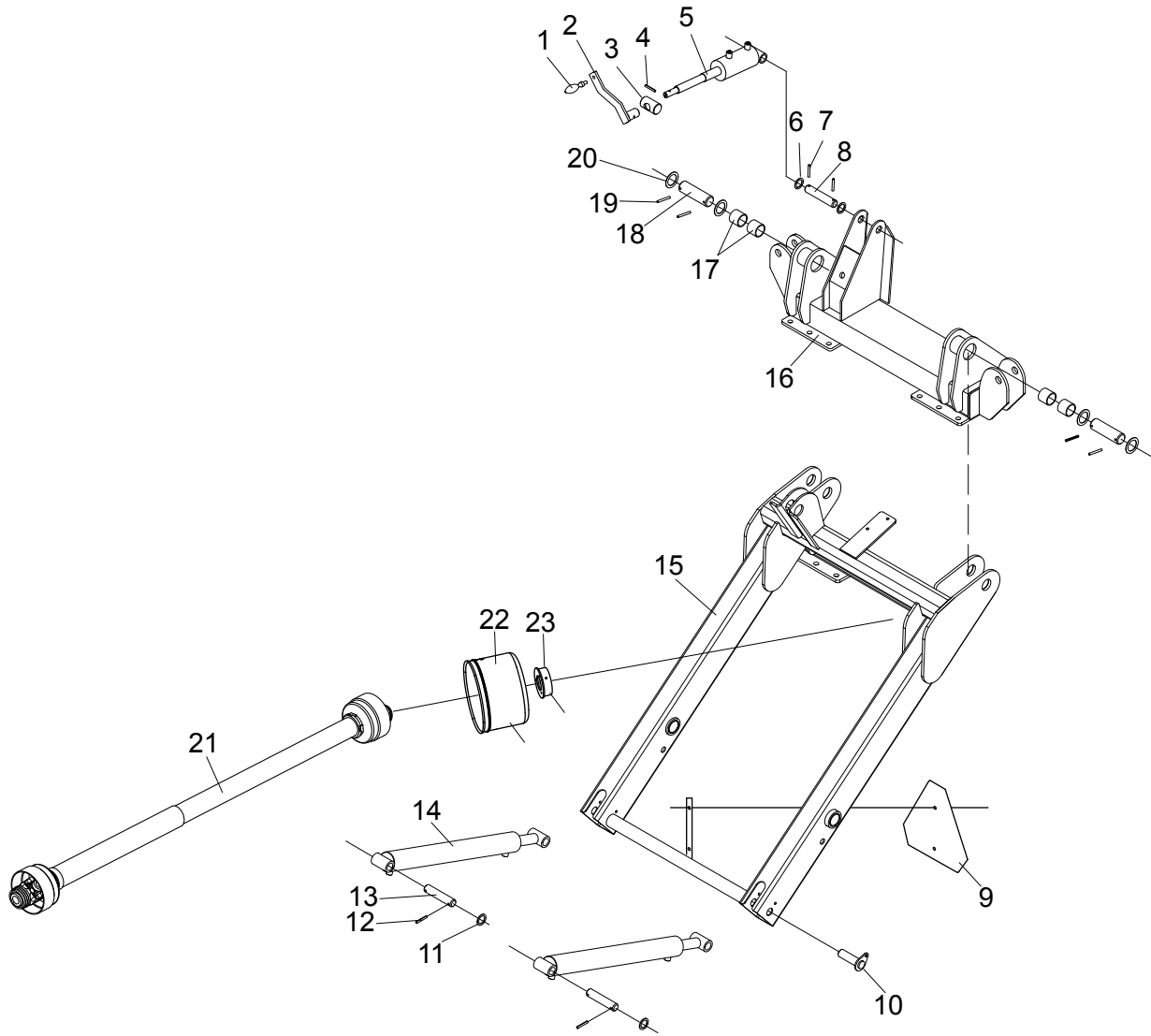


Transport Lock Assembly

Ref#	Description	Part#
1	Bolt, 3/4 x 3	000715
2	Lock Push Arm Assembly	702402
3	Bolt, 3/4 x 6-1/2	000766
4	Lift Carriage Assembly	702323
5	Locknut, 3/4	000990
6	Ball Joint Swivel	300044
7	Bronze Bushing	400311
8	Machinery Bushing	500197
9	Bolt, 1/2 x 2	000452
10	Lock Linkage	702399
11	Bolt, 1/2 x 3	000470
12	Shaft Guide	702397
13	Bronze Bushing	400311
14	Lock Shaft	702375
15	Locknut, 1/2	000950
16	1.500 Ext. Retaining Ring	702423
17	Locknut, 3/4	000990
18a	Pivot Plate, Left	702400
18b	Pivot Plate, Right	702431
19	Pivot Pin	702441



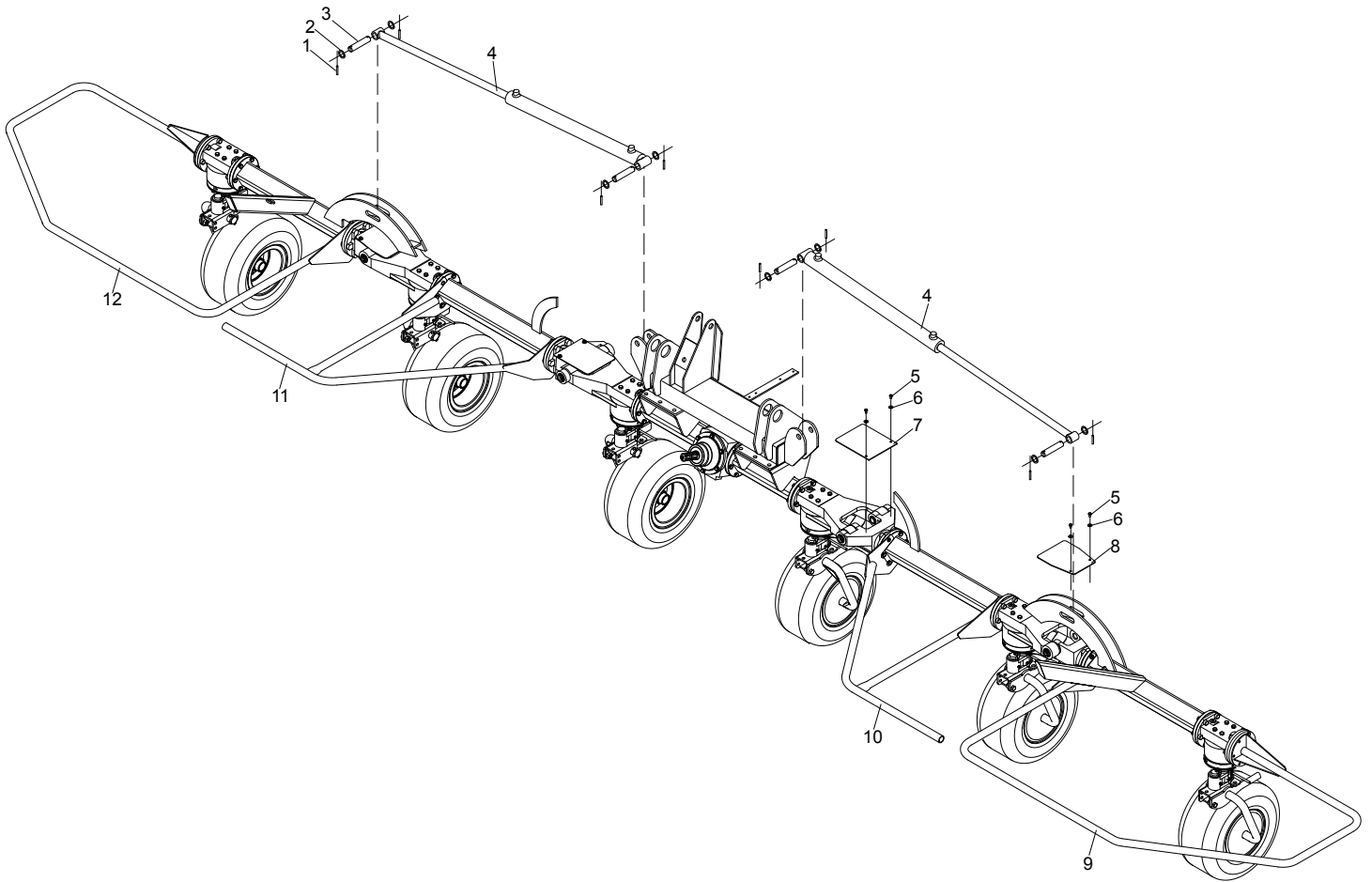
Lift Frame Assembly



Ref#	Description	Part#
1	Handle	502149
2	Front Cylinder Handle	503037
3	Threaded Cylinder Mount	502218
4	Roll Pin, 1/4 x 1-3/4	500187
5	Tilt Cylinder	701070
6	Machinery Bushing	001008
7	Roll Pin, 1/4 x 1-3/4	500187
8	Cylinder Pin	701016
9	SMV Triangle	507166
10	Pivot Pin	702439
11	Machinery Bushing	001008
12	Roll Pin, 1/4 x 1-3/4	500187

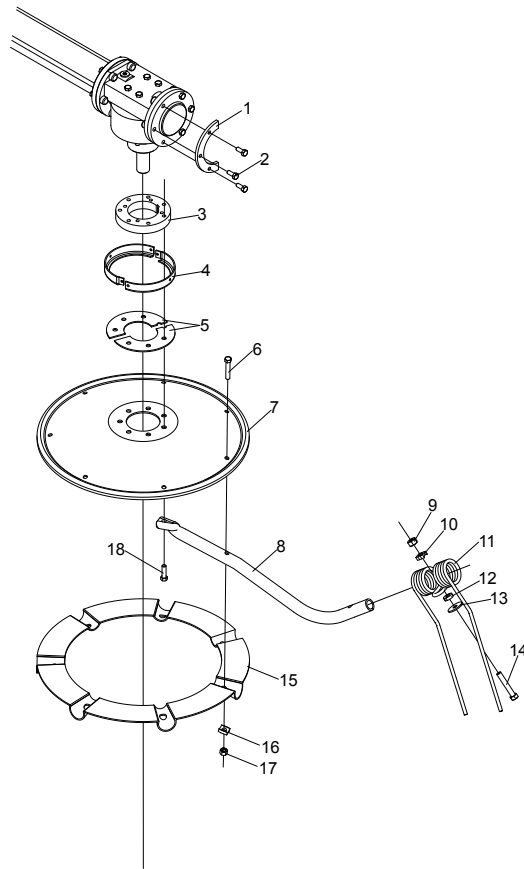
Ref#	Description	Part#
13	Cylinder Pin	701021
14	Cylinder	702358
15	Lift Carriage Assembly	702323
16	Tunnel Assembly	700997
17	Bronze Bushing	400311
18	Pivot Pin	701102
19	Roll Pin, 1/4 x 2-1/4	502282
20	Machinery Bushing	500197
21	PTO Shaft Complete	701212
22	Shield	701205
23	Shield Mounting Bracket	701303

Guards



Ref#	Description	Part#
1	Roll Pin, 1/4 x 1-3/4	500187
2	Machinery Bushing, 1"	001008
3	Cylinder Pin	701016
4	2x28 Cylinder	701144
5	Bolt, 1/4 x 1/2	000170
6	Flatwasher, 1/4"	001020
7	Rubber Pivot Cover	701189
8	Rubber Pivot Cover, Outer	701032
9	Outer Guard, Left	701056
10	Inner Guard, Left	702510
11	Inner Guard, Right	702511
12	Outer Guard, Right	701057

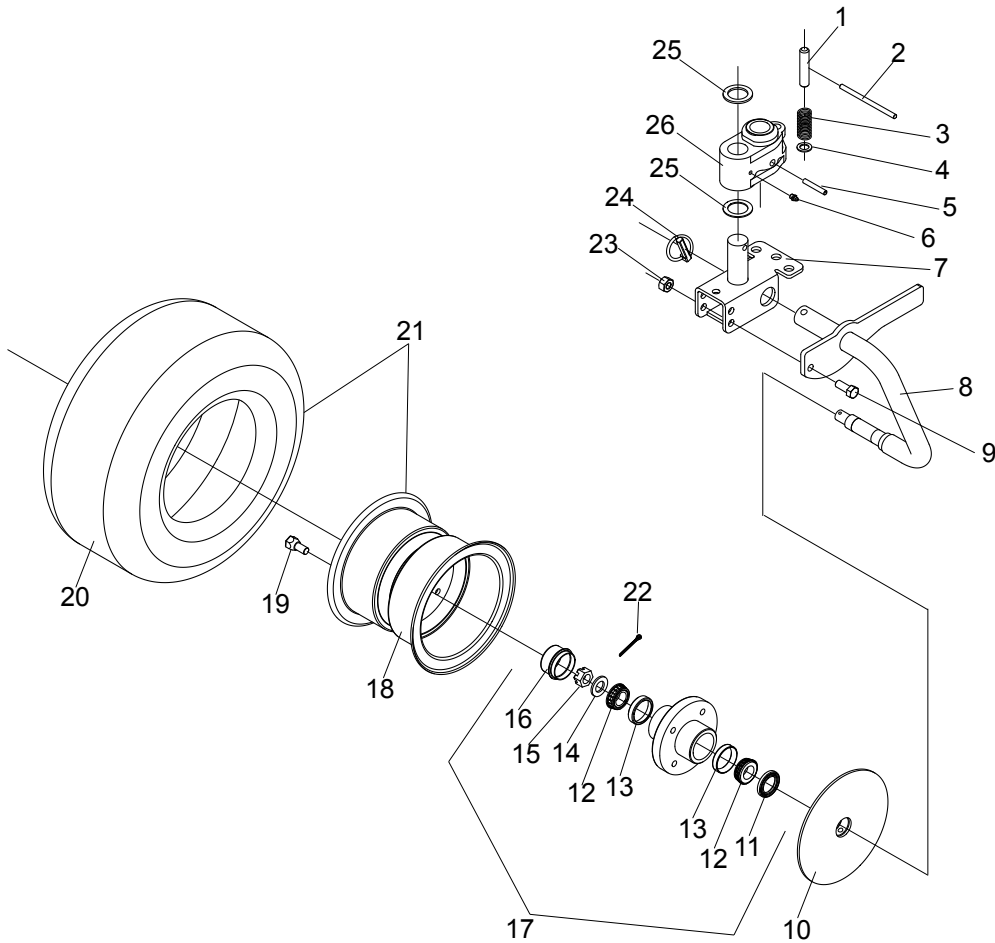
Rotor & Tine Arm



Ref#	Description	Part#
1	Spacer Plate	701006
2	Bolt, M10 x 40	002415
3	Rake Flange	702002
4	Hay Guard (half circle)	701185
	Hay Guard Kit (2 halves plus hdwr.)	701185K
5	Retaining Plate	700943
6	Bolt, 7/16 x 2-1/2	000375
* 7	Tine Arm Plate (S/N 20000-30285)	701100
* 7	Tine Arm Plate (S/N 30286+)	700950
* 8	Tine Arm (S/N 20000-30285)	701001
* 8	Tine Arm (S/N 30286-40000)	701170
* 8	Tine Arm (S/N 40001+)	701207

Ref#	Description	Part#
9	Lock Nut, 1/2"	000950
10	Radius Washer	701008
11	Black Tine, Counter Clockwise Rotation	700901
	Grey Tine, Clockwise Rotation	700929
12	Tine Pitch Adjustment Washer	701005
13	Bottom Tine Washer	701004
14	Bolt, 1/2 x 3	000471
* 15	Retaining Plate (S/N 20000-30285)	701300
* 15	Retaining Plate (S/N 30286+)	700942
16	Radius Washer	701008
17	Locknut, 7/16	000385
18	Bolt, 7/16 x 1-1/2 Flange Head	000725

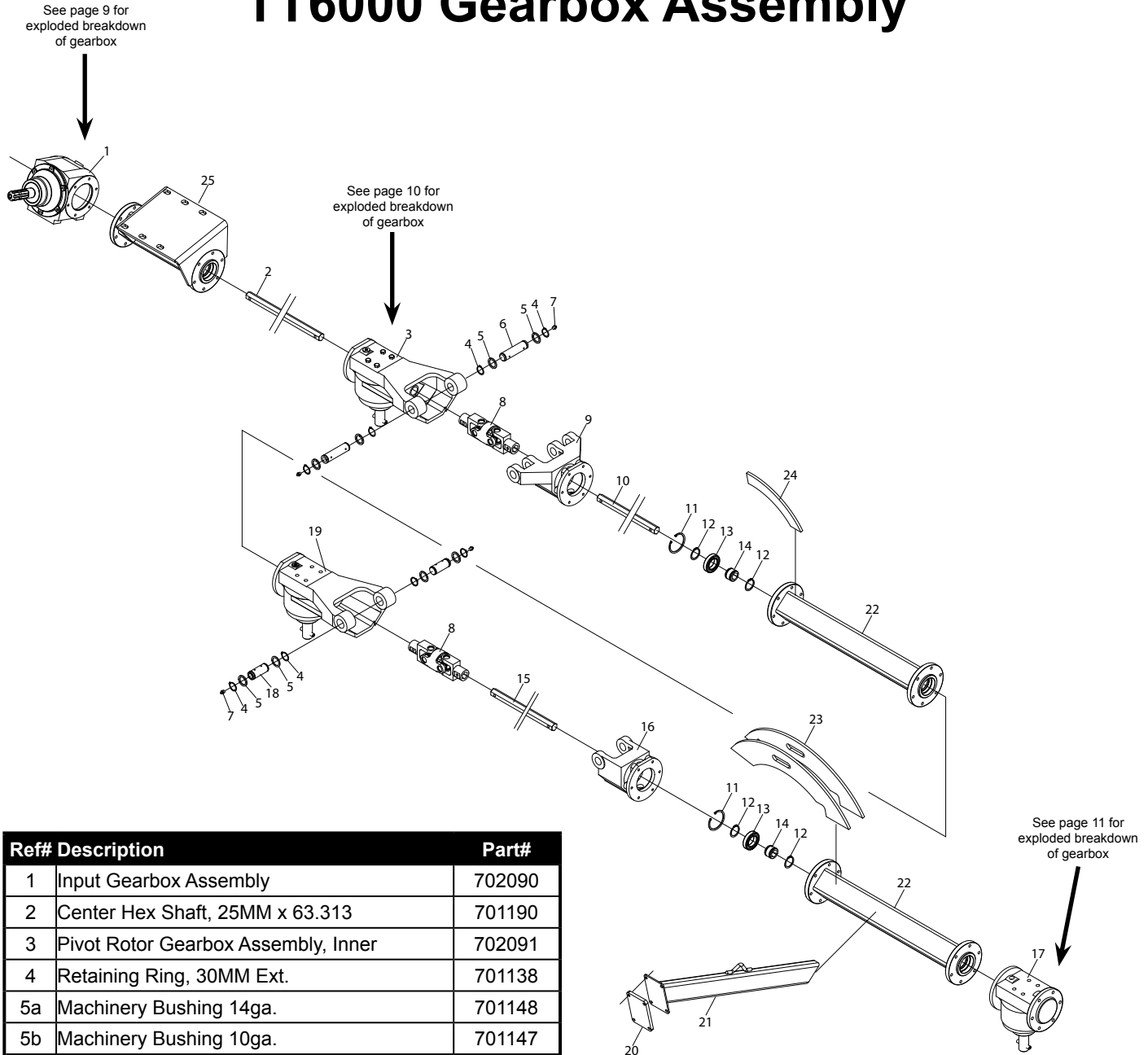
Axle Assembly



Ref#	Description	Part#
1	Spindle Adjustment Pin	701026
2	Spindle Adjustment Handle	701025
3	Spindle Adjustment Spring	701027
4	Machinery Bushing, 5/8"	401442
5	Roll Pin, 12mm x 60mm	702019
6	Grease Fitting, M8 x 1	702015
7	Spindle Mounting Assembly	700913
8	Spindle Assembly, Left	700960
	Spindle Assembly, Right	700961
9	Bolt, 1/2 x 1-1/4	000421
10	Wheel Cover Assembly	701002
11	Grease Seal	500201
12	Bearing, L44643	500202
13	Race, L44610	500204

Ref#	Description	Part#
14	Spindle Washer	500206
15	Spindle Nut	500207
16	Dust Cap	500209
17	Complete Hub	500199
18	4-Bolt Rim	500222
19	Lugbolt	500210
20	Tire, 215/60-8	500221
21	Tire & Wheel Assembly	500220
22	Cotter Pin	500208
23	Locknut, 1/2"	000950
24	Lynch Pin	701048
25	Machinery Bushing, 1-3/8	001505
26	Spindle Mounting Bracket	701200

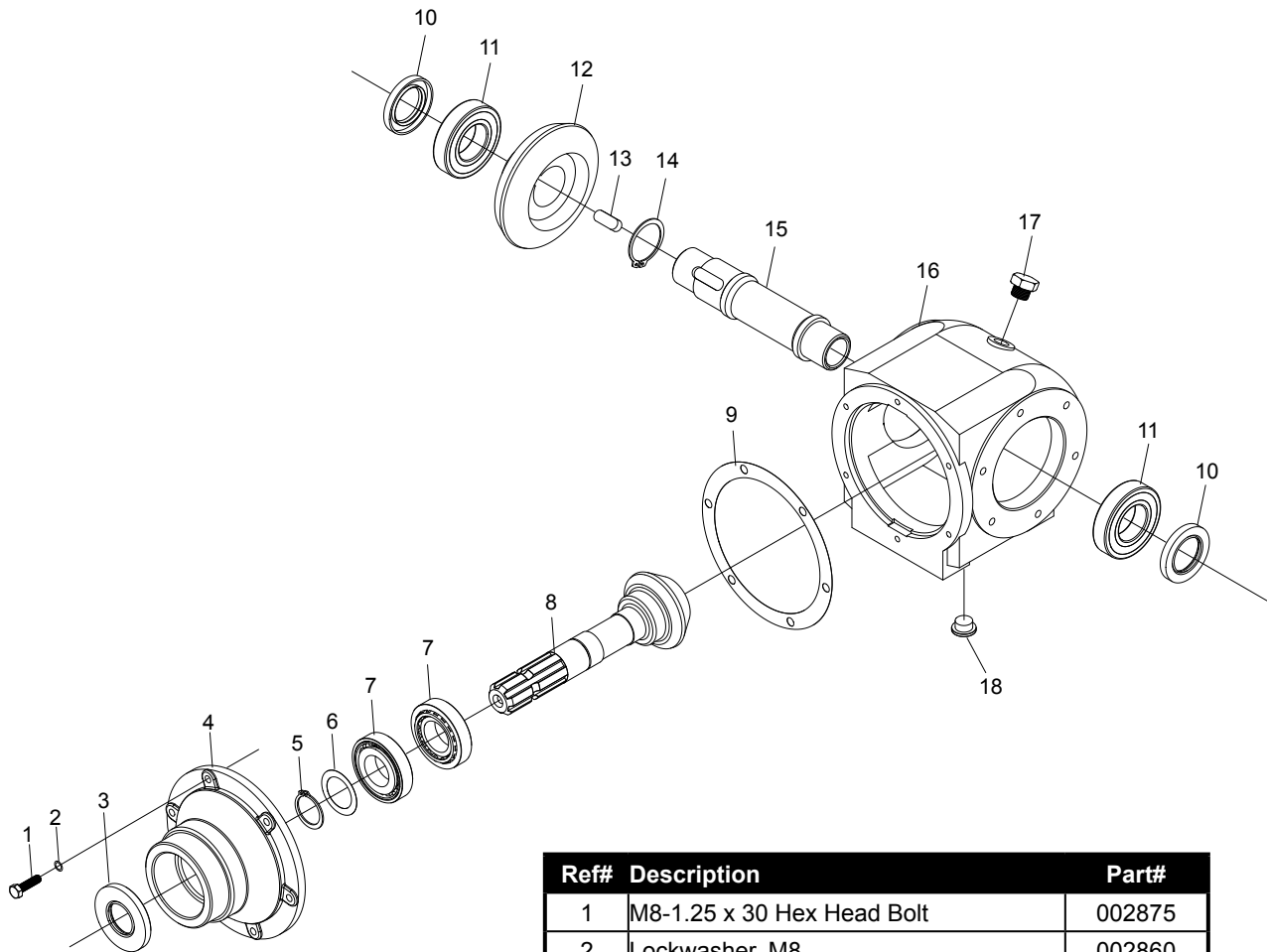
TT6000 Gearbox Assembly



Ref#	Description	Part#
1	Input Gearbox Assembly	702090
2	Center Hex Shaft, 25MM x 63.313	701190
3	Pivot Rotor Gearbox Assembly, Inner	702091
4	Retaining Ring, 30MM Ext.	701138
5a	Machinery Bushing 14ga.	701148
5b	Machinery Bushing 10ga.	701147
6	Pivot Pin	701139
7	Grease Fitting	400117
8	Double U-Joint Assembly	701107
9	Pivot Casting HT150	702069
10	Center Wing Hex Shaft, 25MM x 42.500	701192
11	Retaining Ring, 68MM Int.	702003
12	Retaining Ring, 40MM Ext.	702007
13	Ball Bearing, 6008-2RS	702040
14	Bushing, 25mm Hex Bore, 40mm OD	702039
15	Outer Hex Shaft, 25MM x 37.000	701191
16	Pivot Casting	702057
17	Outer Rotor Gearbox Assembly	702092
18	Pivot Pin	701188

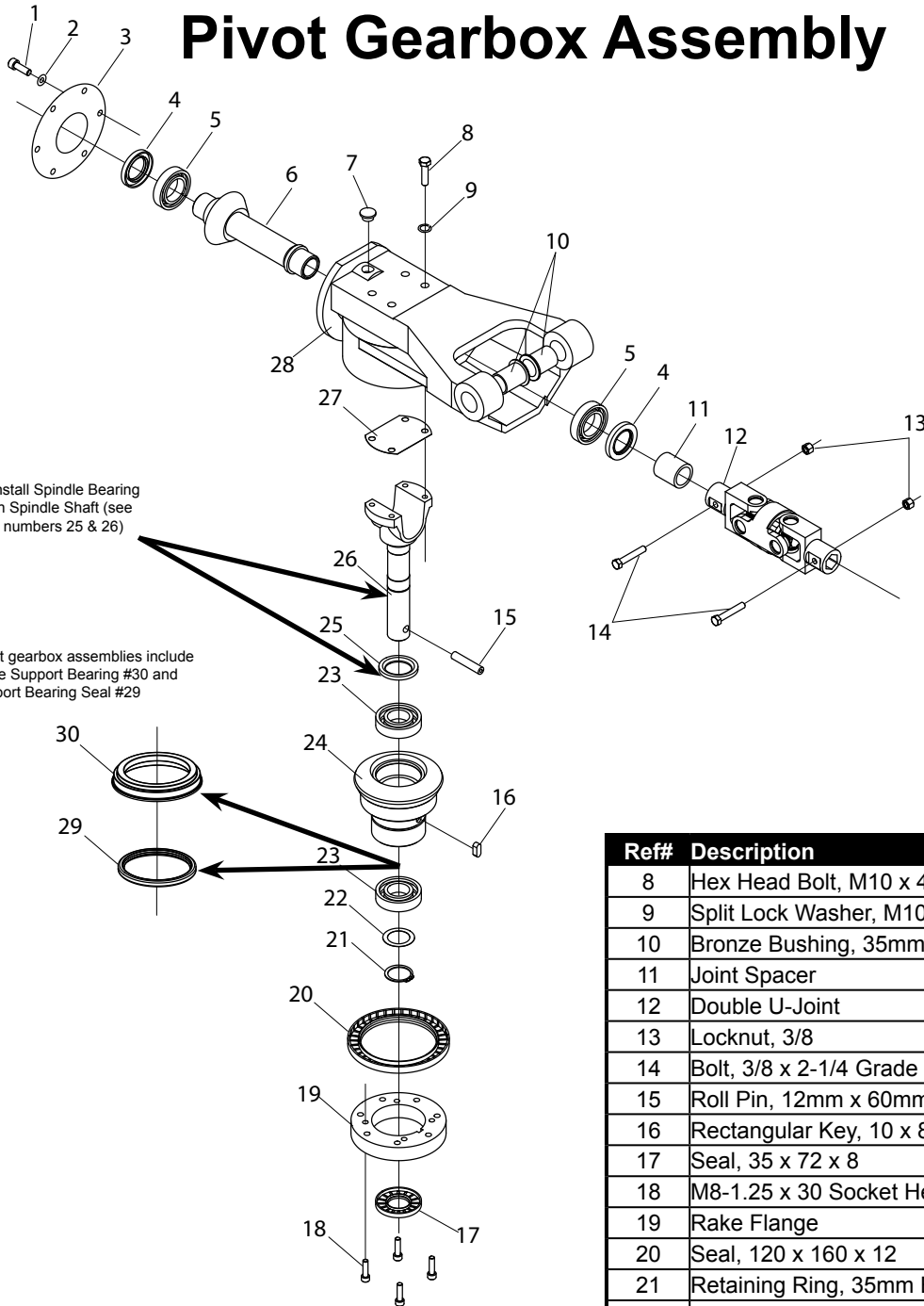
Ref#	Description	Part#
19	Pivot Rotor Gearbox Assembly, Outer	702091
20	Rubber Block	702560
21	Wing Support	702361
22	Gearbox Connector Tube	701163
23	Cylinder Mount Assembly	700998
24	Stop Bracket	701108
25	Center Connector Assembly, Left	701600
	Center Connector Assembly, Right	701601

Input Gearbox Assembly



Ref#	Description	Part#
1	M8-1.25 x 30 Hex Head Bolt	002875
2	Lockwasher, M8	002860
3	Oil Seal, 35 x 72 x 8	702034
4	Cap, Cantilevered	702059
5	Retaining Ring, 35MM Ext.	702005
6a	Shim, 0.2MM	702022
6b	Shim, 0.3MM	702021
7	Bearing & Race, 30207	702042
8	Pinion, 20 Tooth 1-3/8 - 6A Spline	702056
9a	Shim, Cantilevered Cap 0.1MM	702033
9b	Shim, Cantilevered Cap 0.2MM	702032
9c	Shim, Cantilevered Cap 0.5MM	702031
10	Seal, 40 x 62 x 8	702036
11	Ball Bearing, 6208	702045
12	Gear, 35 Tooth	702053
13	Rectangular Key, 12 x 8 x 32	702023
14	Retaining Ring, 45MM Ext.	702006
15	Shaft, Hex Bore	702047
16	Housing, HT75B	702062
17	Breather Plug	702070
18	Hex Plug	702012

Pivot Gearbox Assembly



Order and install Spindle Bearing Spacer with Spindle Shaft (see reference numbers 25 & 26)

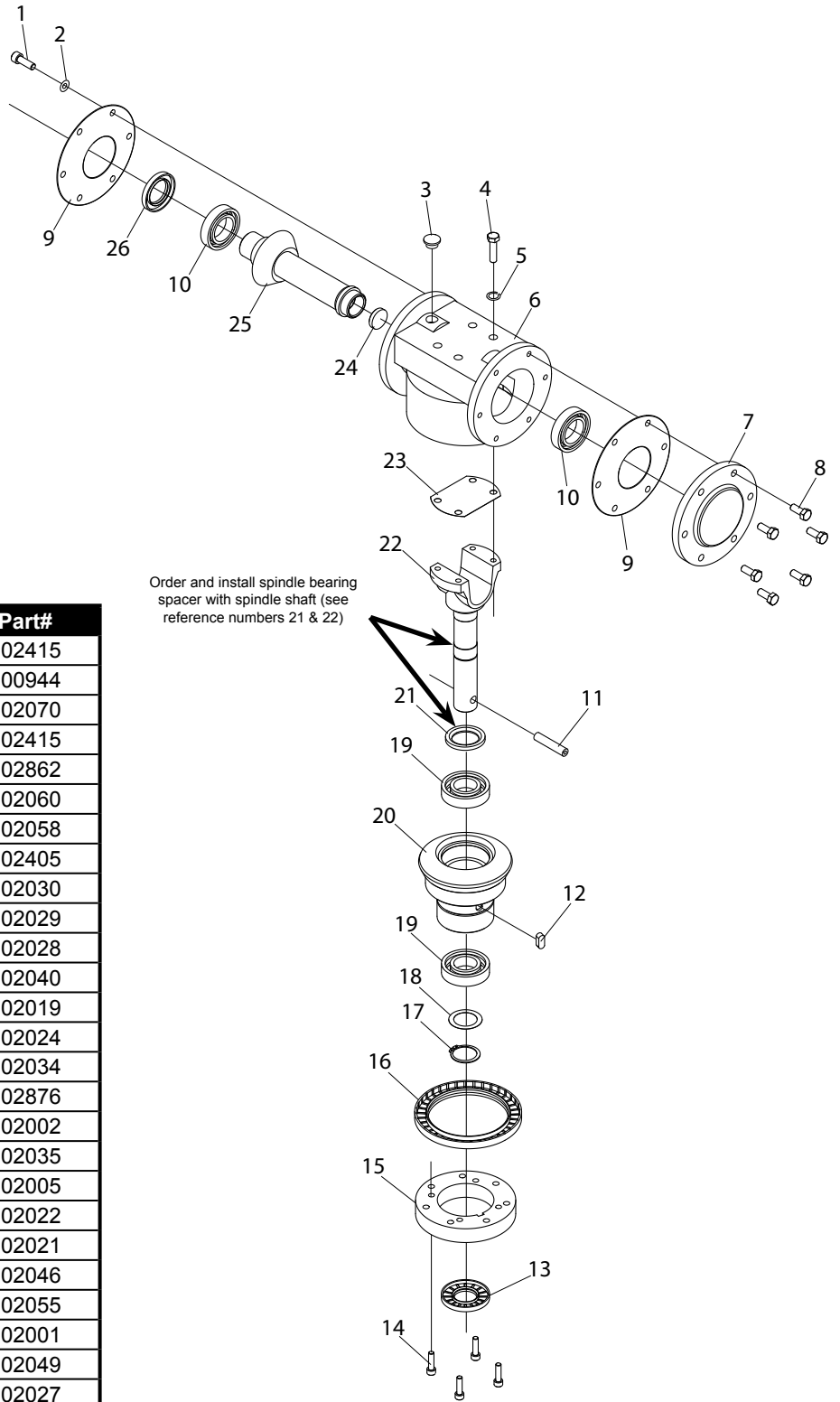
The two pivot gearbox assemblies include the Spindle Support Bearing #30 and Support Bearing Seal #29

Ref#	Description	Part#
1	Hex Head Bolt, M10 x 40	002415
2	M10 Nord-Lock Washer	700944
3a	Shim, 0.1mm	702030
3b	Shim, 0.2mm	702029
3c	Shim, 0.5mm	702028
4	Seal, 40 x 62 x 8	702036
5	Ball Bearing, 6008	702040
6	Pinion, Inboard - 20 Tooth	702052
7	Breather Plug	702070

Ref#	Description	Part#
8	Hex Head Bolt, M10 x 40	002415
9	Split Lock Washer, M10	002862
10	Bronze Bushing, 35mm x 30mm	702041
11	Joint Spacer	701197
12	Double U-Joint	701107
13	Locknut, 3/8	003000
14	Bolt, 3/8 x 2-1/4 Grade 8	000345
15	Roll Pin, 12mm x 60mm	702019
16	Rectangular Key, 10 x 8 x 20	702024
17	Seal, 35 x 72 x 8	702034
18	M8-1.25 x 30 Socket Head Bolt	002876
19	Rake Flange	702002
20	Seal, 120 x 160 x 12	702035
21	Retaining Ring, 35mm Ext.	702005
22a	Shim, 0.2mm	702022
22b	Shim, 0.3mm	702021
23	Ball Bearing, 6207	702046
24	Gear, 35 Tooth	702055
25	Spindle Bearing Spacer	702001
26	Spindle Shaft	702049
27a	Shim, Spindle 0.2mm	702027
27b	Shim, Spindle 0.3mm	702026
27c	Shim, Spindle 0.5mm	702025
28	Housing, Hinge HT100	702061
29	Support Bearing Seal	700401
30	Spindle Support Bearing	700400

** Earlier models used socket head bolts

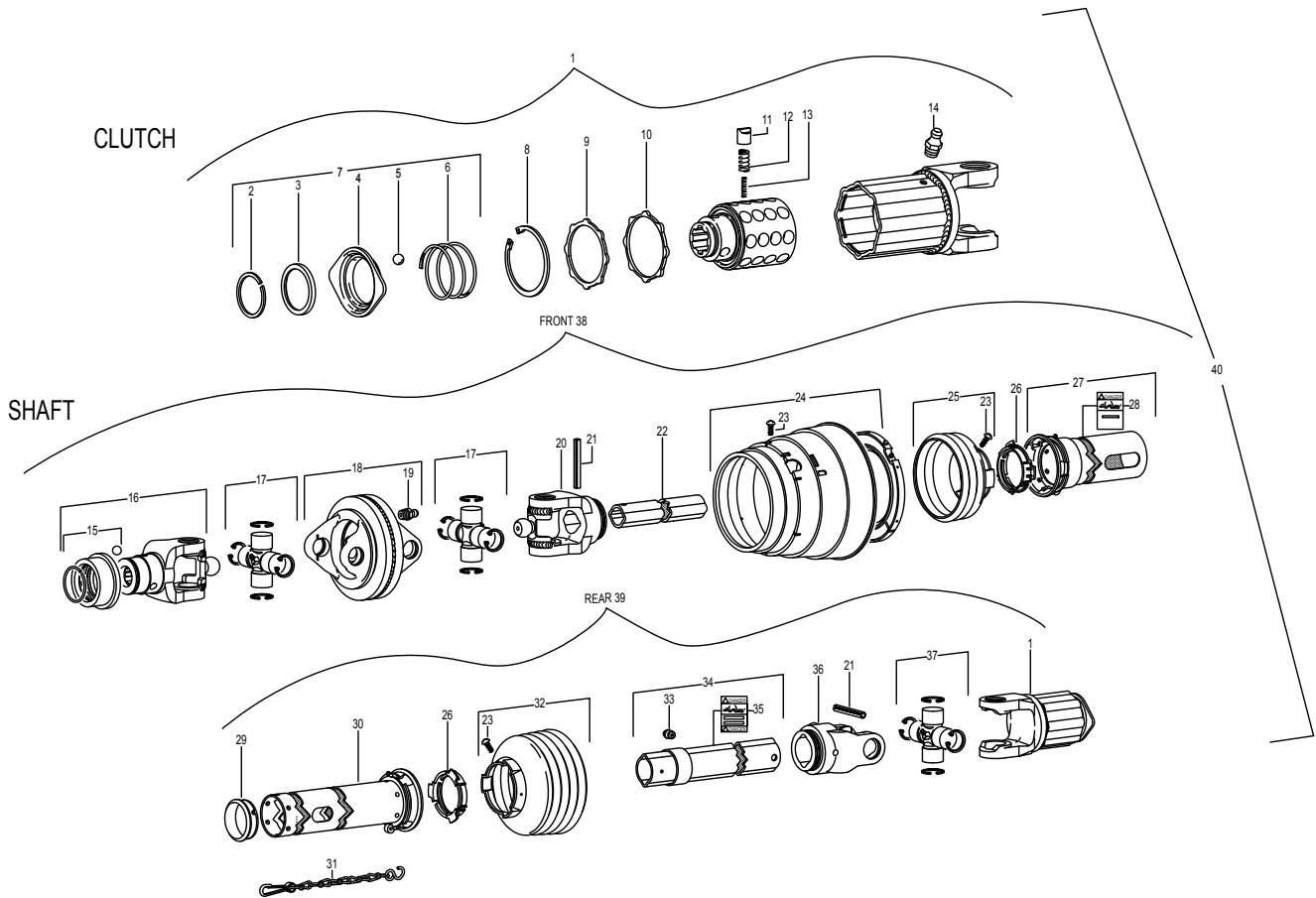
Outer Gearbox Assembly



Ref#	Description	Part#
1b	Hex Head Bolt, M10 x 40	002415
2	M10 Nord-Lock Washer	700944
3	Breather Plug	702070
4	Hex Head Bolt, M10 x 40	002415
5	Split Lock Washer, M10	002862
6	Housing, HT75B Outboard	702060
7	Cap, Blank	702058
8	M10-1.50 x 25 Hex Head Bolt	002405
9a	Shim, 0.1mm	702030
9b	Shim, 0.2mm	702029
9c	Shim, 0.5mm	702028
10	Ball Bearing, 6008	702040
11	Roll Pin, 12mm x 60mm	702019
12	Rectangular Key, 10 x 8 x 20	702024
13	Seal, 35 x 72 x 8	702034
14	M8-1.25 x 30 Socket Head Bolt	002876
15	Rake Flange	702002
16	Seal, 120 x 160 x 12	702035
17	Retaining Ring, 35mm Ext.	702005
18a	Shim, 0.2mm	702022
18b	Shim, 0.3mm	702021
19	Ball Bearing, 6207	702046
20	Gear, 35 Tooth	702055
21	Spindle Bearing Spacer	702001
22	Spindle Shaft	702049
23a	Shim, Spindle 0.2mm	702027
23b	Shim, Spindle 0.3mm	702026
23c	Shim, Spindle 0.5mm	702025
24	Plug, Pressed Fit	702014
25	Pinion, Outboard - 20 Tooth	702054
26	Seal, 40 x 62 x 8	702036

** Earlier models used socket head bolts

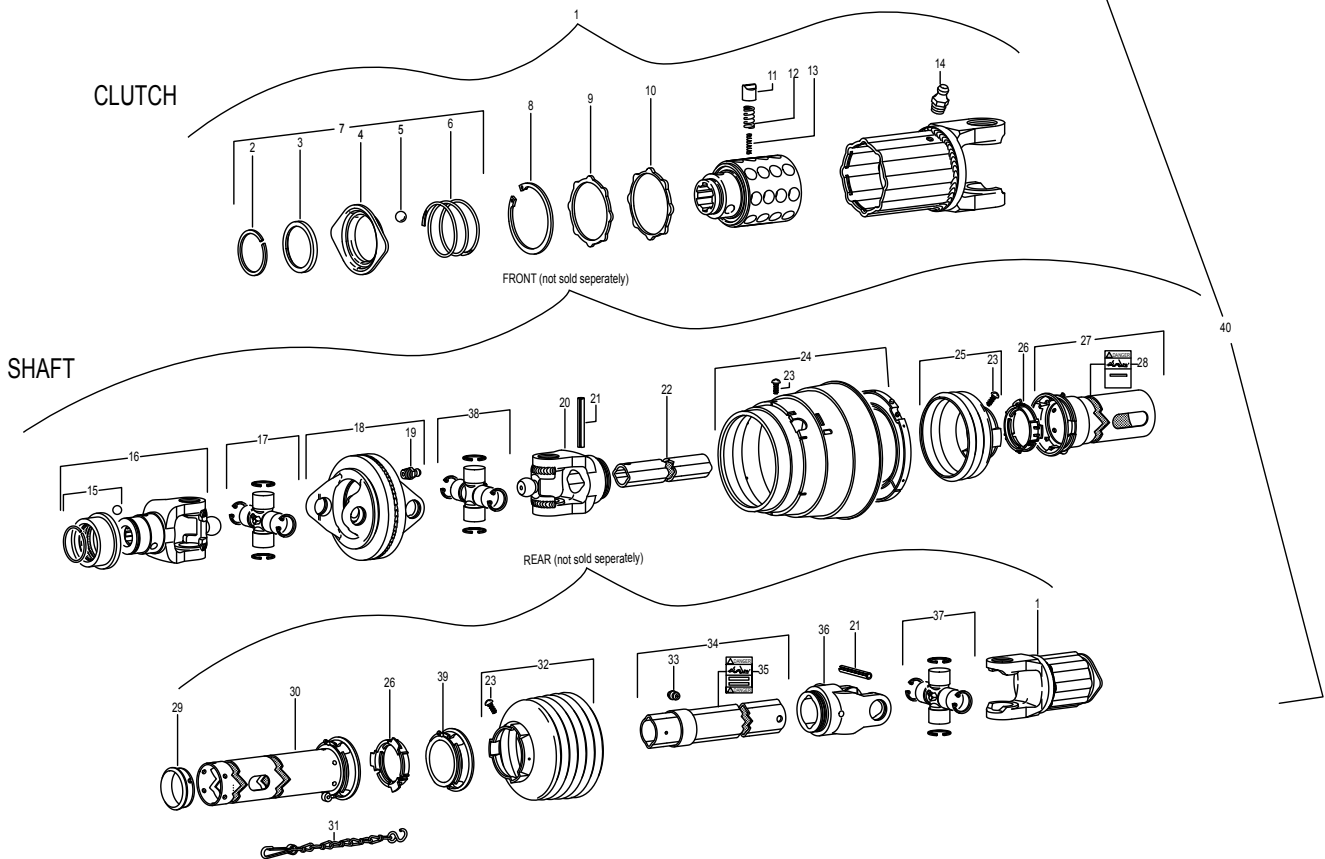
PTO Shaft Assembly S/N - 89000



Ref#	Description	Part#
1	Radial Pin Clutch	702258
2	Retainer Ring	500048
3	Flanged Collar	500047
4	Lock Collar	500046
5	Ball	500044
6	Compression Spring	500045
7	Flange Kit	500050
8	Retainer Ring	500043
9	Thrust Ring	500042
10	Seal Ring	500041
11	Cam	500038
12	Outer Spring	500039
13	Inner Spring	500040
14	Grease Fitting	500049
15	Collar Kit	500064
16	Yoke 1-3/8" 6-Spline	702250
17	Cross & Bearing Kit	702253
18	Couple Yoke	702251
19	Grease Fitting	500049
20	Inboard Yoke	702252

Ref#	Description	Part#
21	Roll Pin, M10 x 75	702254
22	Inner Profile	702255
23	Screw	500058
24	CV Cone & Bearing Assembly	702263
25	Shield Cone, 3-Rib	702264
26	Bearing Ring	702260
27	Outer Shield Tube	702261
28	Decal	500059
29	Support Bearing	702266
30	Inner Shield Tube	702262
31	Safety Chain	500060
32	Shield Cone, 5-Rib	702265
33	Grease Fitting	500062
34	Profile & Sleeve	702256
35	Decal	500057
36	Inboard Yoke	702257
37	Cross & Bearing Kit	702259
38	Front Half Assembly	N/A
39	Rear Half Assembly	N/A
40	Complete PTO Shaft	701142

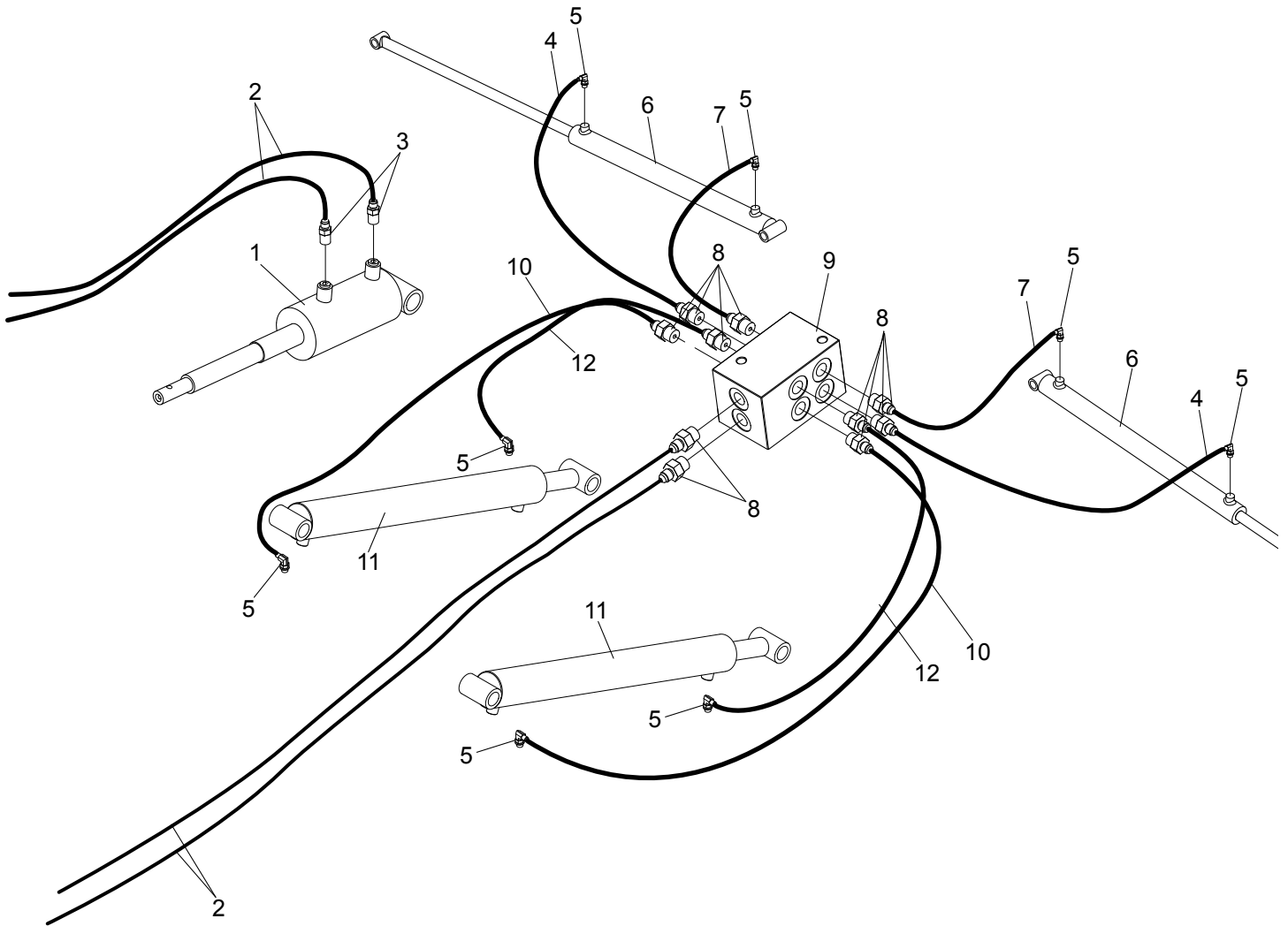
PTO Shaft Assembly S/N 89000+



Ref#	Description	Part#
1	Radial Pin Clutch	702290
2	Retainer Ring	500048
3	Flanged Collar	500047
4	Lock Collar	500046
5	Ball	500044
6	Compression Spring	500045
7	Flange Kit	500050
8	Retainer Ring	500043
9	Thrust Ring	500042
10	Seal Ring	500041
11	Cam	500038
12	Outer Spring	500039
13	Inner Spring	500040
14	Grease Fitting	500049
15	Collar Kit	702279
16	Yoke 1-3/8" 6-Spline	702282
17	Cross & Bearing Kit	702283
18	Double Yoke	702284
19	Grease Fitting	500049
20	Inboard Yoke	702285

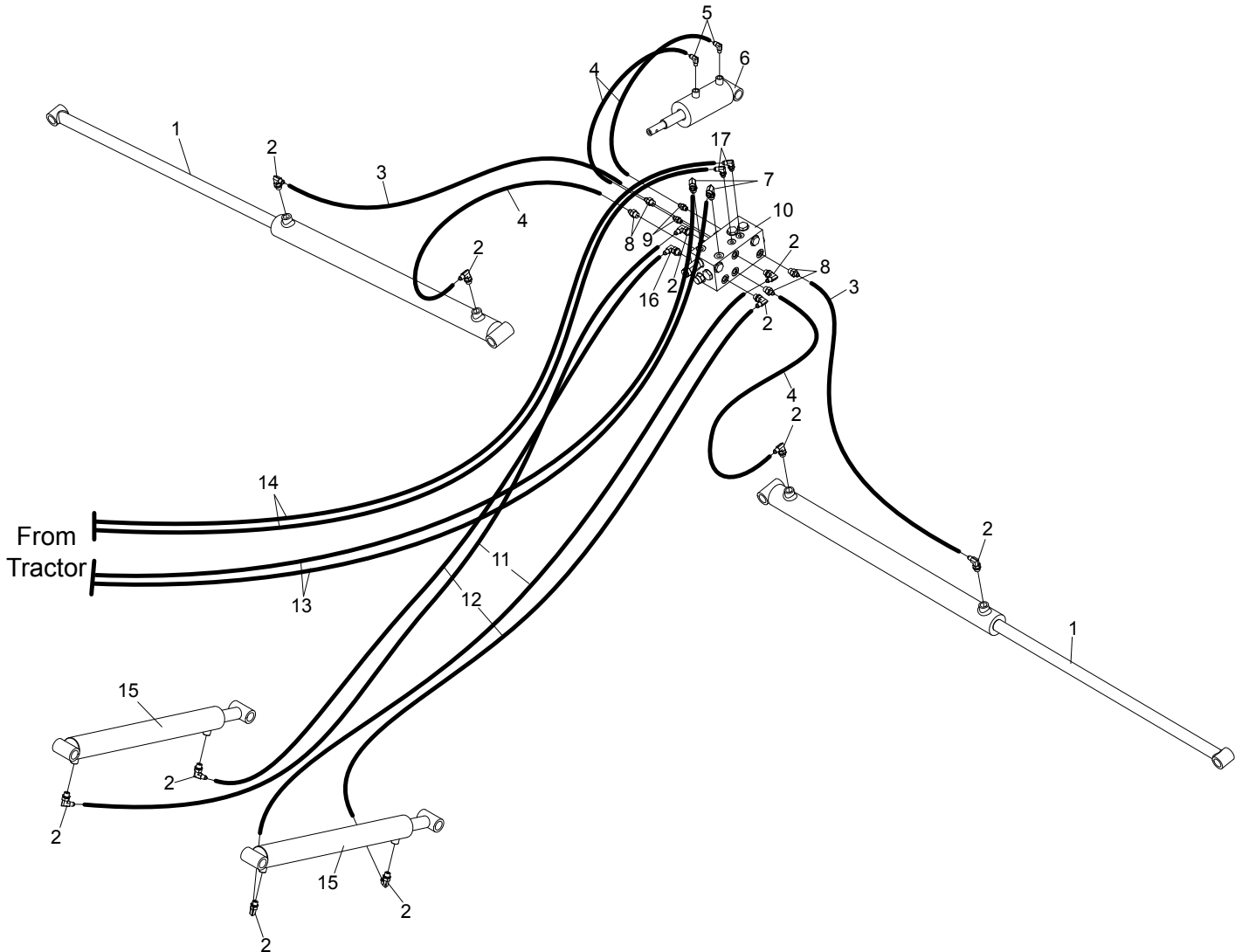
Ref#	Description	Part#
21	Roll Pin, M10 x 75	702254
22	Inner Profile	702286
23	Screw	500058
24	CV Cone & Bearing Assembly	702291
25	Shield Cone, 3-Rib	702292
26	Bearing Ring	702260
27	Outer Shield Tube	702293
28	Decal	500059
29	Support Bearing	702266
30	Inner Shield Tube	702294
31	Safety Chain	500060
32	Shield Cone, 6-Rib	702295
33	Grease Fitting	500062
34	Profile & Sleeve	702287
35	Decal	500061
36	Inboard Yoke	702288
37	Cross & Bearing Kit	702289
38	Cross & Bearing Kit	702298
	Reinforcing Collar (for item 32)	702296
40	Complete PTO Shaft	702097
41	PTO Shield Kit, Bondioli Shaft Only	701080

Hydraulics S/N - 83290



Ref#	Description	Part#
1	Front Tilt Cylinder	701070
2	234" Hose Assembly	702450
3	Straight Fitting, 4MP-4MJ	290012
4	54" Hose Assembly	700905
5	Elbow Fitting, 6MB-4MJ	700907
6	2x28 Cylinder	701144
7	27" Hose Assembly	700904
8	Straight Fitting, 6MB-4MJ	700908
9	Hydraulic Manifold	700925
10	77.5" Hose Assembly	702451
11	2x18 Cylinder	702358
12	60.5" Hose Assembly	702452

Hydraulics S/N 83290+



Ref#	Description	Part#
1	2x28 Cylinder	701144
2	Elbow Fitting, 4MJ x 6MB	700907
3	1/4" Hose x 54"	700905
4	1/4" Hose x 27"	700904
5	Elbow Fitting, 4MJ x 4MP	702459
6	Tilt Cylinder	701070
7	Elbow Fitting, 6MJ x 6MB	507287
8	Straight Fitting, 4MJ x 6MB	700908
9	Straight Fitting, 4MJ x 4MB	290195
10	Manifold	702515
11	1/4" Hose x 60.5"	702452
12	1/4" Hose x 77.5"	702451
13	3/8" Hose x 234"	702514
14	1/4" Hose x 234"	702450
15	2x18 Cylinder	702358
16	Long Elbow Fitting, 4MJ x 6MB	700902
17	Elbow Fitting, 4 MJ x 4 MB	700948