

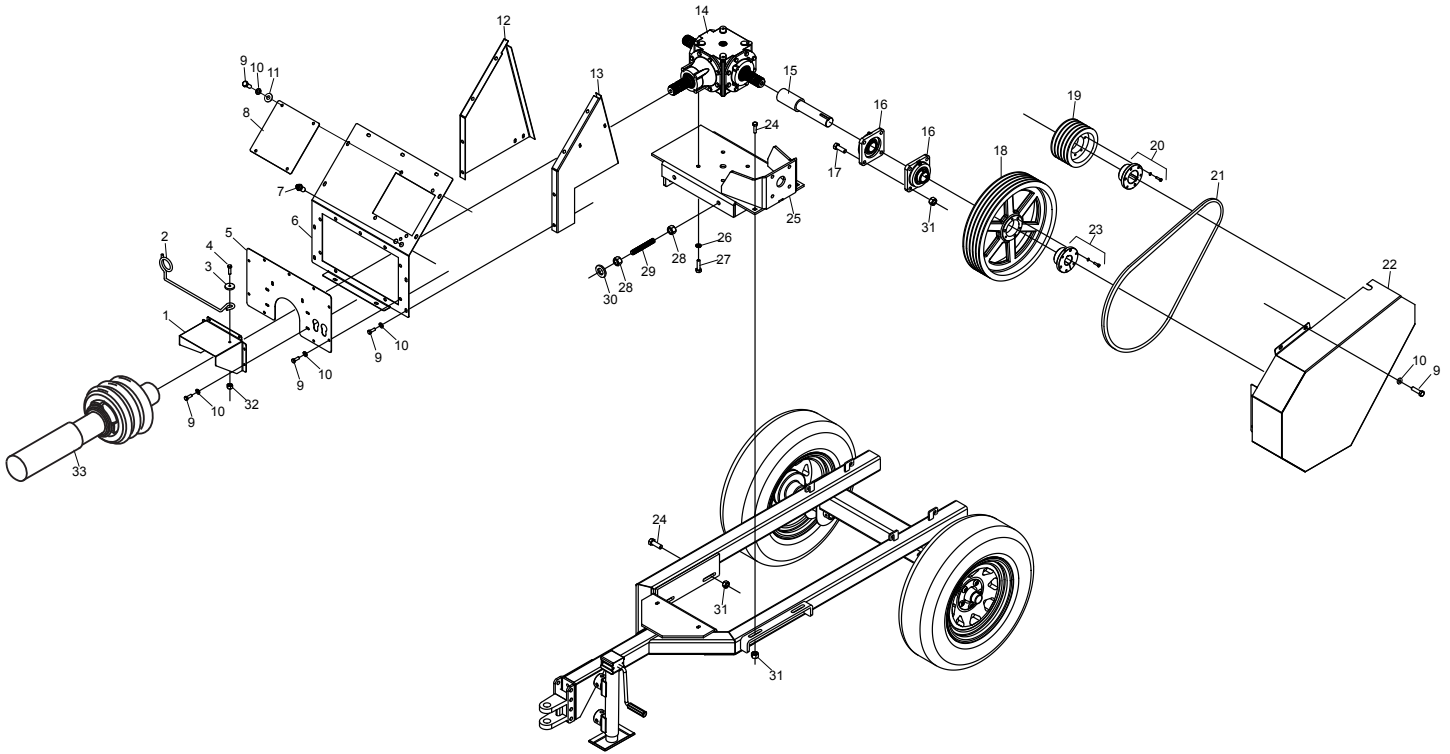


CX951 Wood Chipper

Illustrated Parts Breakdown

Page 1	Drive Components
Page 2	Drum Housing
Page 3	Feed Carriage
Page 4	Hopper Assembly
Page 5	Chute Assembly
Page 6	Chassis
Page 7	Hydraulics
Page 8	Decals
Page 9	Self Contained Hyd Option
Page 10	Speed Control Option

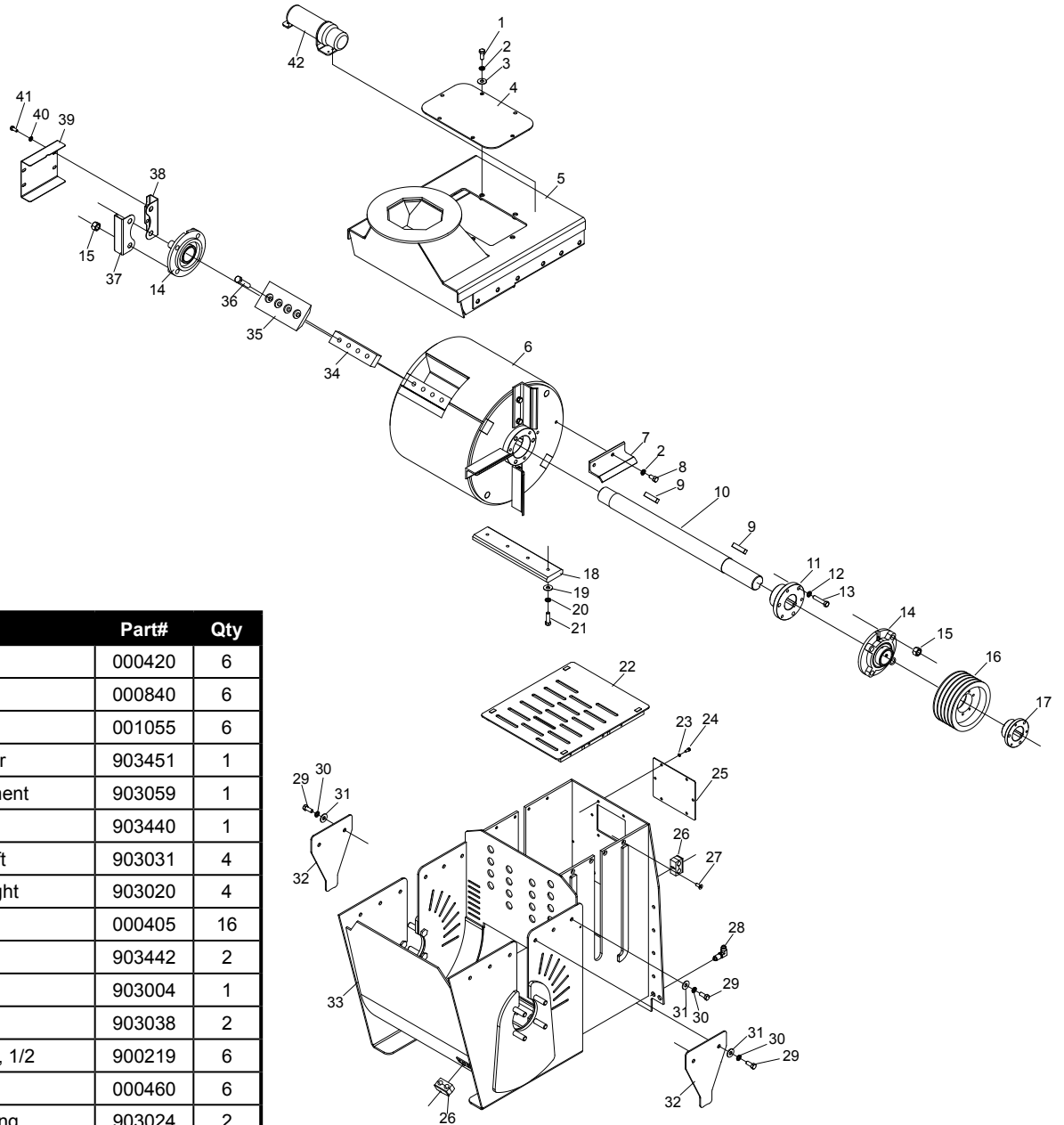
CX951 Drive Components



Ref#	Description	Part#	Qty
1	PTO Shield	903312	1
2	Hose Support	502288	1
3	Washer	502308	1
4	Bolt, 5/16 x 1-3/4	000127	1
5	Cover Plate	903278	1
6	Gearbox Cover	903300	1
7	Bulkhead Fitting	290257	2
8	Cover Plate	903309	1
9	Bolt, 3/8 x 1	000270	34
10	Lock Washer, 3/8	000820	34
11	Flat Washer, 3/8	001035	34
12	Shield, Right	903301	1
13	Shield, Left	903302	1
14	Complete Gearbox	903000	1
15	Drive Shaft Weldment	903428	1
16	Flange Bearing	903418	2
17	Bolt, 1/2 x 2-1/2	000460	4

Ref#	Description	Part#	Qty
18	Pulley, 5-Groove	903260	1
19	Sm Pulley, 5-Groove	903291	1
20	Pulley Bushing	903036	1
21	Belt, B76	903536	5
22	Belt Shield	903281	1
23	Pulley Bushing	903016	1
24	Carriage Bolt, 1/2 x 2	000454	4
25	Gearbox Base	903299	1
26	Lock Washer, 1/2	000840	4
27	Bolt, 1/2 x 1-3/4	000445	4
28	Hex Nut, 5/8	000970	8
29	Threaded Adjuster	903553	2
30	Flat Washer, 5/8	001075	8
31	Nylon Locknut, 1/2	000950	4
32	Nylon Locknut, 5/16	002999	1
33	Complete PTO Shaft	903311	1

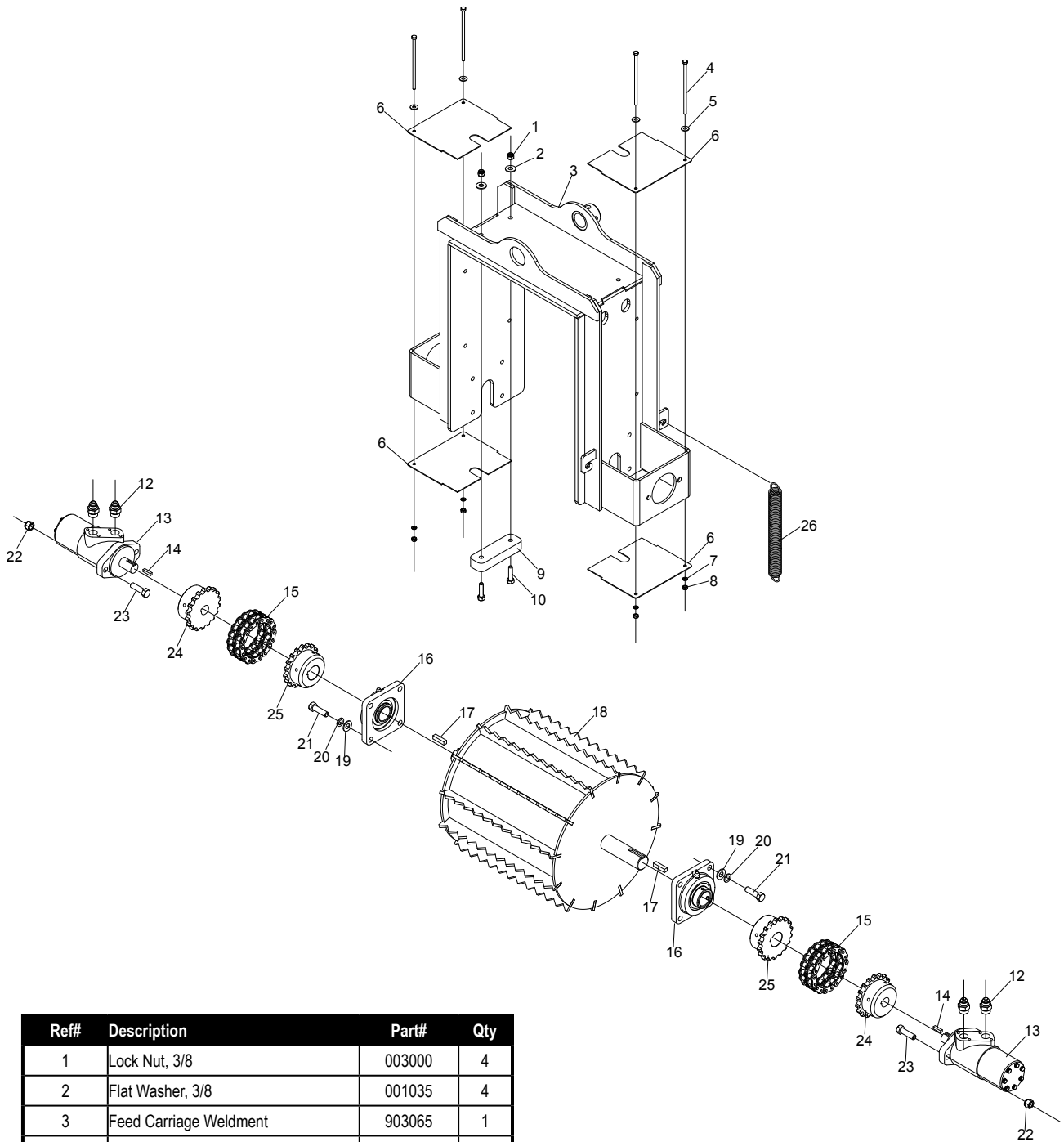
CX951 Drum Housing



Ref#	Description	Part#	Qty
1	Bolt, 1/2 x 1-1/4	000420	6
2	Lock Washer, 1/2	000840	6
3	Flat Washer, 1/2	001055	6
4	Knife Access Cover	903451	1
5	Drum Hood Weldment	903059	1
6	Rotor Weldment	903440	1
7	Blower Paddle, Left	903031	4
	Blower Paddle, Right	903020	4
8	Bolt, 1/2 x 1	000405	16
9	Key	903442	2
10	Drum Shaft	903004	1
11	E-Style Bushing	903038	2
12	Nord-Lock Washer, 1/2	900219	6
13	Bolt, 1/2 x 2-1/2	000460	6
14	2-3/8 Flange Bearing	903024	2
15	Hex Lock Nut, 3/4	000992	8
16	Pulley	903291	1
17	Pulley Bushing	903036	1
18	Bed Knife	903002	1
19	Flat Washer, 1/2	001055	4
20	Lock Washer, 1/2	000840	4
21	Bolt, 1/2 x 1-3/4	000445	4
22	Feed Chamber Cover	903073	1
23	Lock Washer, 3/8	000820	10
24	Bolt, 3/8 x 1	000270	10
25	Cover	903517	1
26	Hose Holding Kit	903443	2
27	Socket Screw, 3/8 x 1-1/2	900128	8
28	Bulkhead Elbow Fitting	903503	2
29	Bolt, 1/2 x 1-1/4	000420	12

Ref#	Description	Part#	Qty
30	Lock Washer, 1/2	000840	12
31	Flat Washer, 1/2	001055	12
32	Cover	903446	2
33	Drum Chamber	903023	1
34	Knife Bar	903441	2
35	Chipper Knife	903001	2
36	Bolt, 5/8 x 3-1/2 Grade 8	000629	8
37	Bearing Side Shield	903546	1
38	Bearing Side Shield	903545	1
39	Cover	903289	1
40	Bolt, 3/8 x 1	000270	4
41	Lock Washer, 3/8	000820	4
42	OM Canister	503050	1
42a	Operator's Manual	990034	1

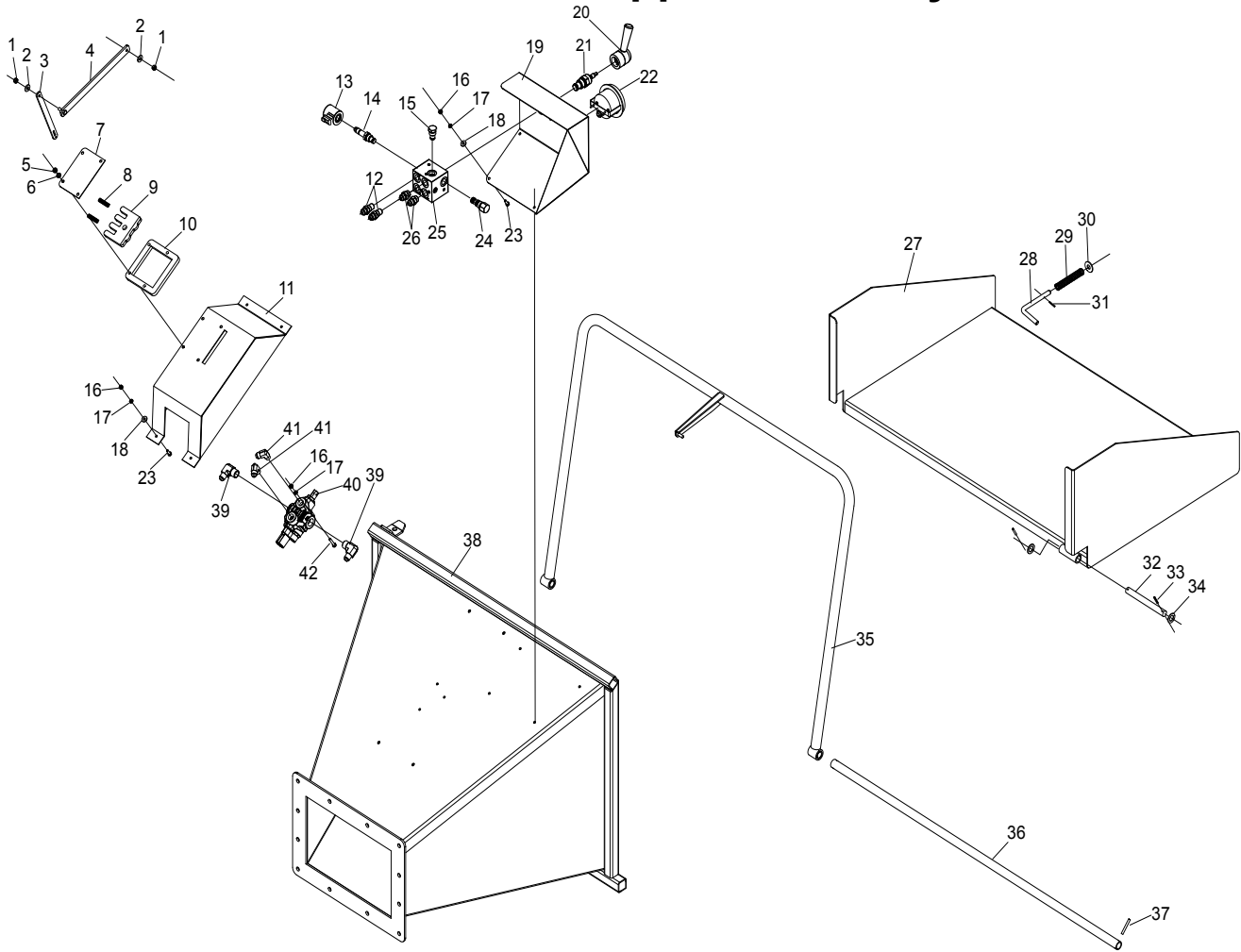
CX951 Feed Carriage Assembly



Ref#	Description	Part#	Qty
1	Lock Nut, 3/8	003000	4
2	Flat Washer, 3/8	001035	4
3	Feed Carriage Weldment	903065	1
4	Bolt, 1/4 x 6	000212	4
5	Flat Washer, 1/4	001020	4
6	Coupling Shield	903495	4
7	Lock Washer, 1/4	000805	4
8	Nut, 1/4	000900	4
9	Rubber Block	505269	2
10	Bolt, 3/8 x 1-1/2	000280	4
12	Hydraulic Fitting	900190	4
13	Hydraulic Motor	900178	2
14	Key, 1/4 x 1	400114	2
15	Coupling Chain	903490	2
16	1-1/2" Flange Bearing	400810	2

Ref#	Description	Part#	Qty
17	Key, 3/8 x 1-1/2	401580	2
18	Feed Roller	903027	1
19	Flat Washer, 1/2	001055	8
20	Lock Washer, 1/2	000840	8
21	Bolt, 1/2 x 1-1/4	000420	8
22	Steel Lock Nut, 1/2	900144	4
23	Bolt, 1/2 x 1-3/4	000445	4
24	1" Coupling Sprocket	903056	2
25	1-1/2" Coupling Sprocket	903057	2
26	Tension Spring	900162	4

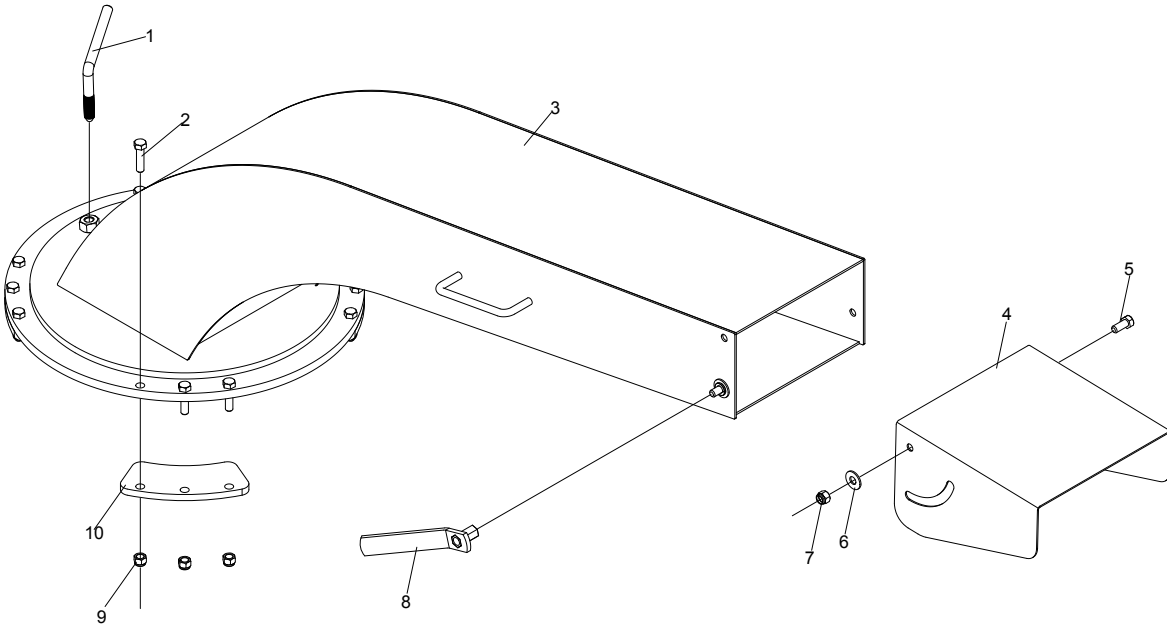
CX951 Hopper Assembly



Ref#	Description	Part#	Qty
1	Lock Nut, 5/16	002999	2
2	Flat Washer, 5/16	001030	2
3	Valve Linkage Bar	902035	1
4	Control Linkage	902036	1
5	Nut, 5/16	000910	4
6	Lock Washer, 5/16	000810	4
7	Feed Control Cover	902039	1
8	Feed Control Spring	902040	2
9	Feed Control Inner Plate	902038	1
10	Feed Control Outer Plate	902037	1
11	Valve Cover	902034	1
12	Hydraulic Fitting	290260	2
13	Solenoid Valve Coil	830325	1
14	Solenoid Valve	291001	1
15	Check Valve	291003	1
16	Nut, 1/4	000900	11
17	Lock Washer, 1/4	000805	11
18	Flat Washer, 1/4	001020	11
19	Hydraulic Control Bracket	903463	1
20	Valve Handle Kit	291005	1
21	Rotary Valve	291002	1

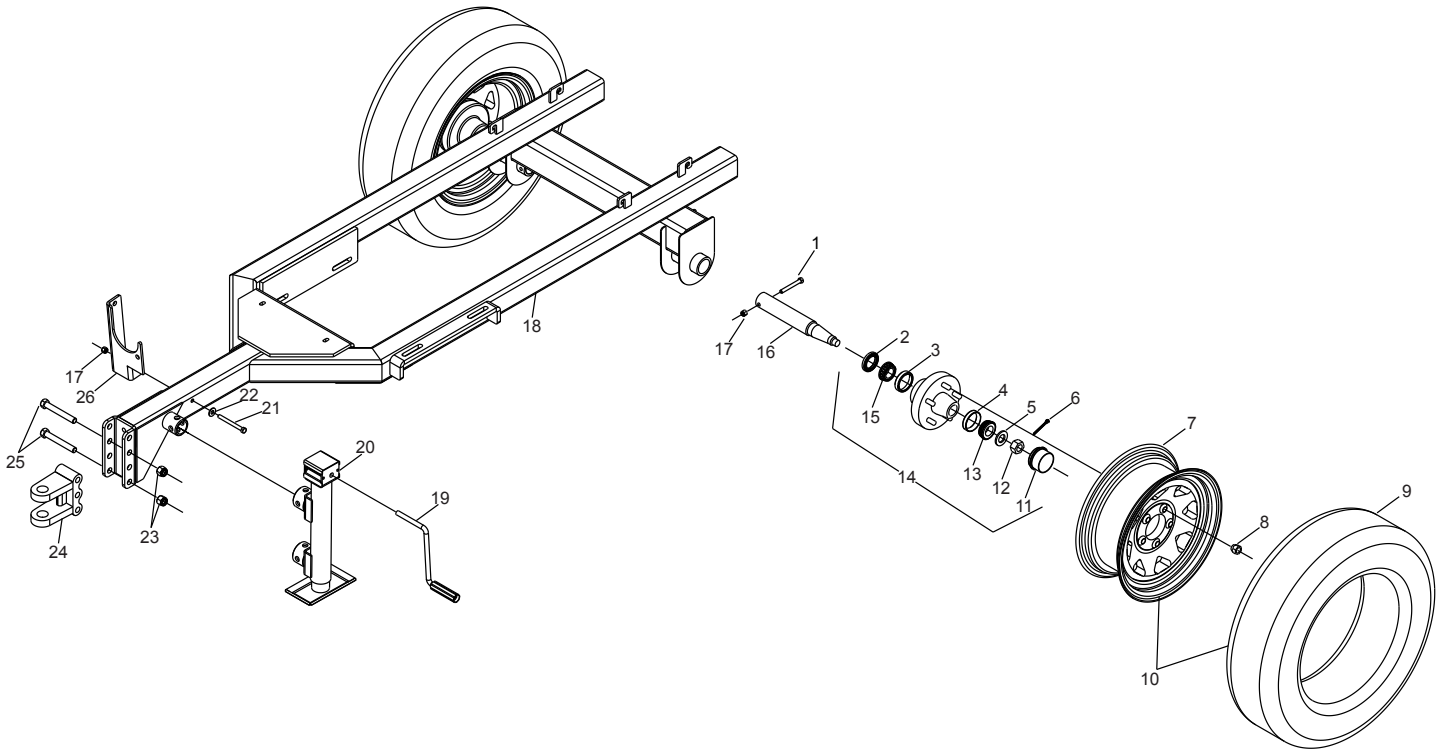
Ref#	Description	Part#	Qty
22	Speed Sensor	900215	1
23	Bolt, 1/4 x 3/4	000175	8
24	Bypass Valve	830323	1
25	Manifold, Complete	903466	1
26	Hydraulic Fitting	290126	2
27	Infeed Tray	903460	1
28	Latch Handle	903455	1
29	Compression Spring	505316	1
30	Flat Washer, 1/2	001055	1
31	Stainless Steel Roll Pin	000562	1
32	Hinge Pin	903515	3
33	Roll Pin, 3/16 x 1-1/4	000563	6
34	Machinery Bushing, 3/4	400148	6
35	Safety Bar	903480	1
36	Safety Bar Hinge	903522	1
37	Roll Pin, 1/4 x 2	500017	2
38	Infeed Hopper	903473	1
39	Elbow Fitting	900171	2
40	Directional Valve	900181	1
41	Elbow Fitting	900172	2
42	Bolt, 1/4 x 1-1/2	000185	3

CX951 Chute Assembly



Ref#	Description	Part#	Qty
1	Set Bolt	500148	1
2	Bolt, 3/8 x 1-1/2	000280	12
3	Chip Chute	903486	1
4	Chip Deflector	903197	1
5	Bolt, 3/8 x 7/8	000250	2
6	Flat Washer, 3/8	001035	2
7	Locknut, 3/8	003000	2
8	Clamp Handle	806157	1
9	Locknut, 3/8	003000	12
10	Chute Retainer	903487	4

CX951 Chassis Assembly



Ref#	Description	Part#	Qty
1	Bolt, 3/8 x 2-3/4	000305	2
2	Grease Seal	508500	2
3	Race, L68111	508502	2
4	Race, L44610	508504	2
5	Spindle Washer	500206	2
6	Cotter Pin	500208	2
7	Wheel, 5-Bolt	903551	2
8	Lug Nut	508506	10
9	Tire, 205/75 R15	101161	2
10	Tire and Wheel	903552	2
11	Hub Cap	500209	2
12	Spindle Nut	500207	2
13	Bearing, L44649	508503	2

Ref#	Description	Part#	Qty
14	Complete Hub	508026	2
15	Bearing, L68149	508501	2
16	Spindle	508027	2
17	Nylon Locknut, 3/8	003000	3
18	Chassis Assembly	903035	1
19	Jack Handle	903318	1
20	Complete Jack	903290	1
21	Bolt, 3/8 x 4	000320	1
22	Flat Washer, 3/8	001035	1
23	Nylon Locknut, 5/8	000972	2
24	Clevis Coupler	507018	1
25	Bolt, 5/8 x 4-1/2	000645	2
26	PTO Stand	903295	1

CX951 Hydraulics



Ref#	Description	Part#	Qty
1	Male Coupler	290105	2
2	63" Hose	903540	2
3	Straight Bulkhead Fitting	290257	2
4	55.5" Hose	903539	2
5	Elbow Bulkhead Fitting	903503	2
6	Hydraulic Motor	900178	2
7	Straight Fitting	900190	4
8	32.5" Hose	903500	4
9	T Fitting	290256	2
10	15.5" Hose	903502	2
11	Elbow Fitting	900172	2
12	Elbow Fitting	900171	2
13	Directional Valve	900181	1

Ref#	Description	Part#	Qty
14	Elbow Fitting	290049	4
15	Straight Fitting (Long)	290260	2
16	Solenoid Valve Coil	830325	1
17	Solenoid Valve	291001	1
18	Check Valve	291003	1
19	Rotary Valve	291002	1
20	Valve Handle Kit	291005	1
21	Bypass Valve	830323	1
22	Manifold, Complete	903466	1
23	Straight Fitting	290126	2
24	38" Hose	903504	2
25	45.5" Hose	903505	2
26	13.5" Hose	903501	1

CX951 Decals and Labels



10



11



12



13



14



15



16

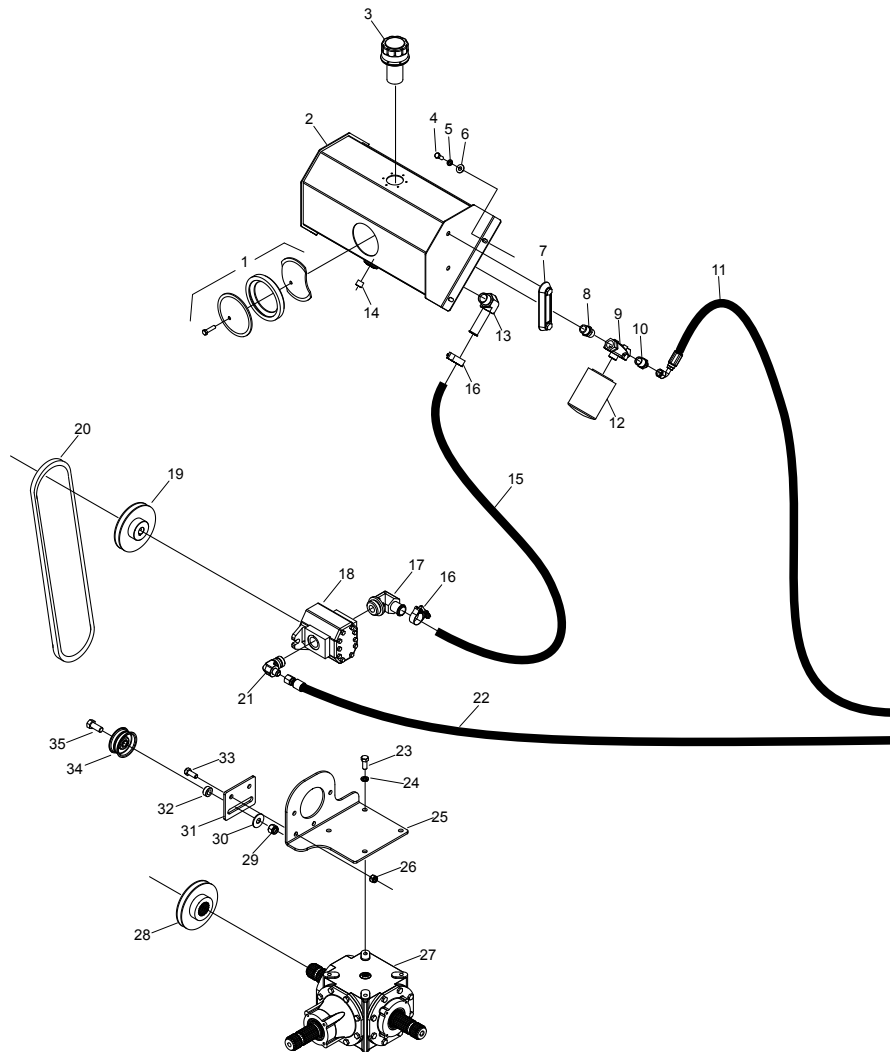


⑨



Ref#	Description	Part#	Qty
1	Decal, Lg. Pequea	302014	1
2	Decal, Sm Pequea	100162	1
3	Decal, CX951 High Speed Chipper	903226	1
4	Decal, CX951	903227	2
5	Warning, Speed	903124	1
6	Warning, crush/pinch hazard	903105	1
7	Warning, thrown objects	903106	3
8	Warning, do not place hands	903100	2
9	SMV Decal	903148	1
10	Warning, hydraulic pressure	903114	1
11	Decal, reverse-neutral-feed	903113	1
12	Decal, Red Retroreflective	903112	2
13	Danger, do not remove shields	903101	2
14	Danger, PTO Entanglement	903102	1
15	Caution, 540 RPM PTO	903107	1
16	Caution, general information	903103	1
17	Decal Kit, CX951	903537	1

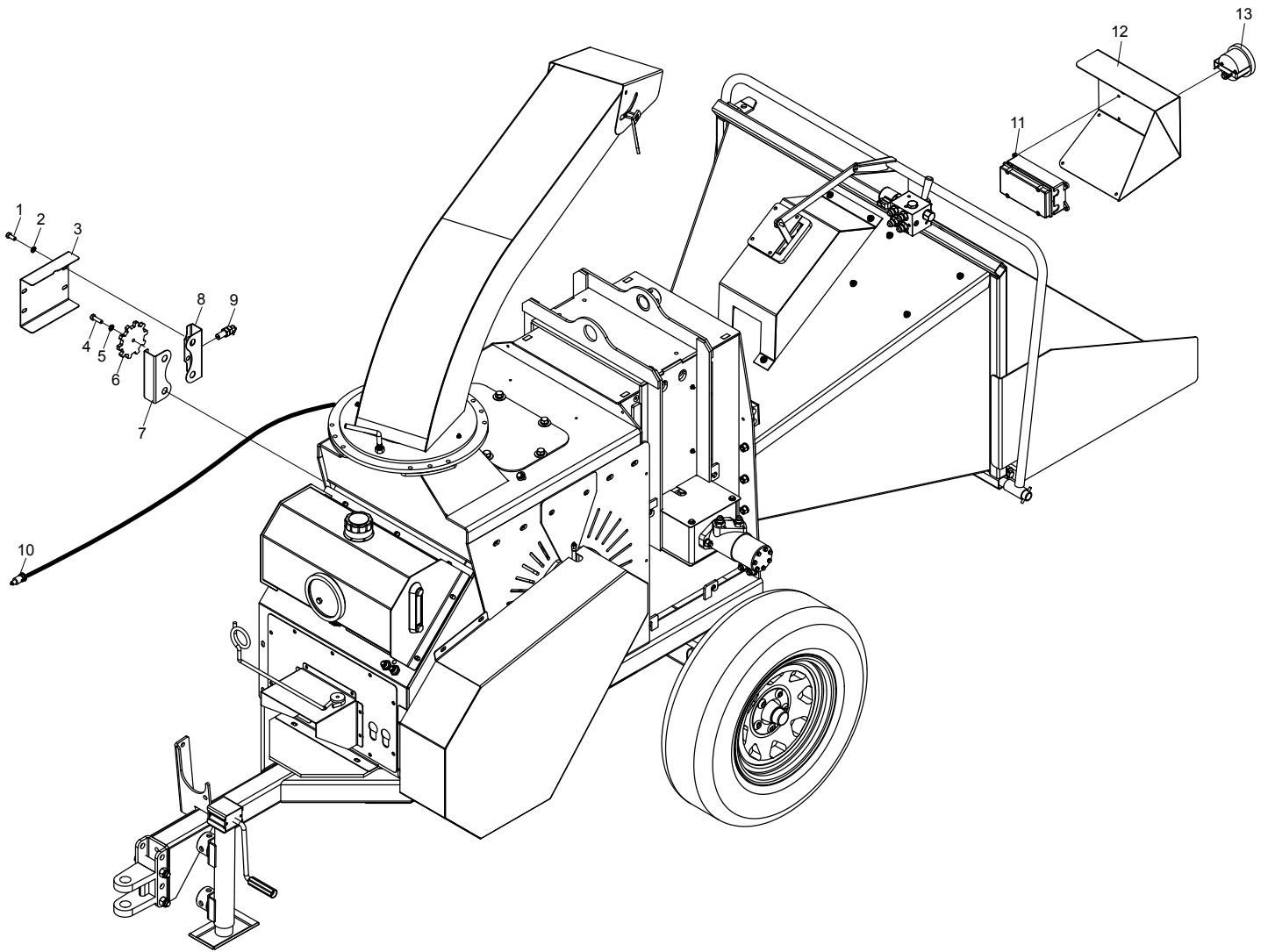
Self Contained Hydraulics Option



Ref#	Description	Part#	Qty
1	Hydraulic Access Door	290044	1
2	Hydraulic Reservoir	903305	1
3	Breather Cap	290142	1
4	Bolt, 3/8 x 1	000270	4
5	Lock Washer, 3/8	000820	4
6	Flat Washer, 3/8	001035	4
7	Sight Guage	290054	1
8	Straight Fitting	290261	1
9	Filter Head	290131	1
10	Straight Fitting	290137	1
11	Hose, 52"	903542	1
12	Oil Filter	290135	1
13	Elbow Fitting	290128	1
14	Plug	290025	1
15	Suction Hose, 22"	903555	1
16	Hose Clamp	806137	2
17	Elbow Fitting	290259	1
18	Gear Pump	900323	1

Ref#	Description	Part#	Qty
19	Pulley	903532	1
20	Belt	903554	1
21	Elbow Fitting	900329	1
22	Hose, 66"	903541	1
23	Bolt, 1/2 x 1-1/2	000345	4
24	Lock Washer, 1/2	000840	4
25	Pump Bracket	903261	1
26	Nylon Locknut, 1/2	000950	1
27	Complete Gearbox	903000	1
28	Pulley	903533	1
29	Nylon Locknut, 5/8	000972	1
30	Flat Washer, 5/8	001075	1
31	Idler Bracket	903314	1
32	Spacer	903285	1
33	Bolt, 1/2 x 1-1/4	000420	1
34	Idler Pulley	900205	1
35	Bolt, 5/8 x 1-1/2	000610	1

Speed Control Option



Ref#	Description	Part#	Qty
1	Bolt, 3/8 x 1	000270	4
2	Lock Washer, 3/8	000820	4
3	Cover	903289	1
4	Bolt, 3/8 x 1-1/4	000275	1
5	Lock Washer, 3/8	000820	1
6	Speed Sensor Rotor	903286	1
7	Side Cover	903546	1
8	Side Cover	903545	1
9	Magnetic Pickup	900216	1
10	Male Plug	507307	1
	Female Plug (Not Shown)	507324	
11	Junction Box	290047	1
12	Control Bracket	903463	1
13	Speed Sensor	900215	1