

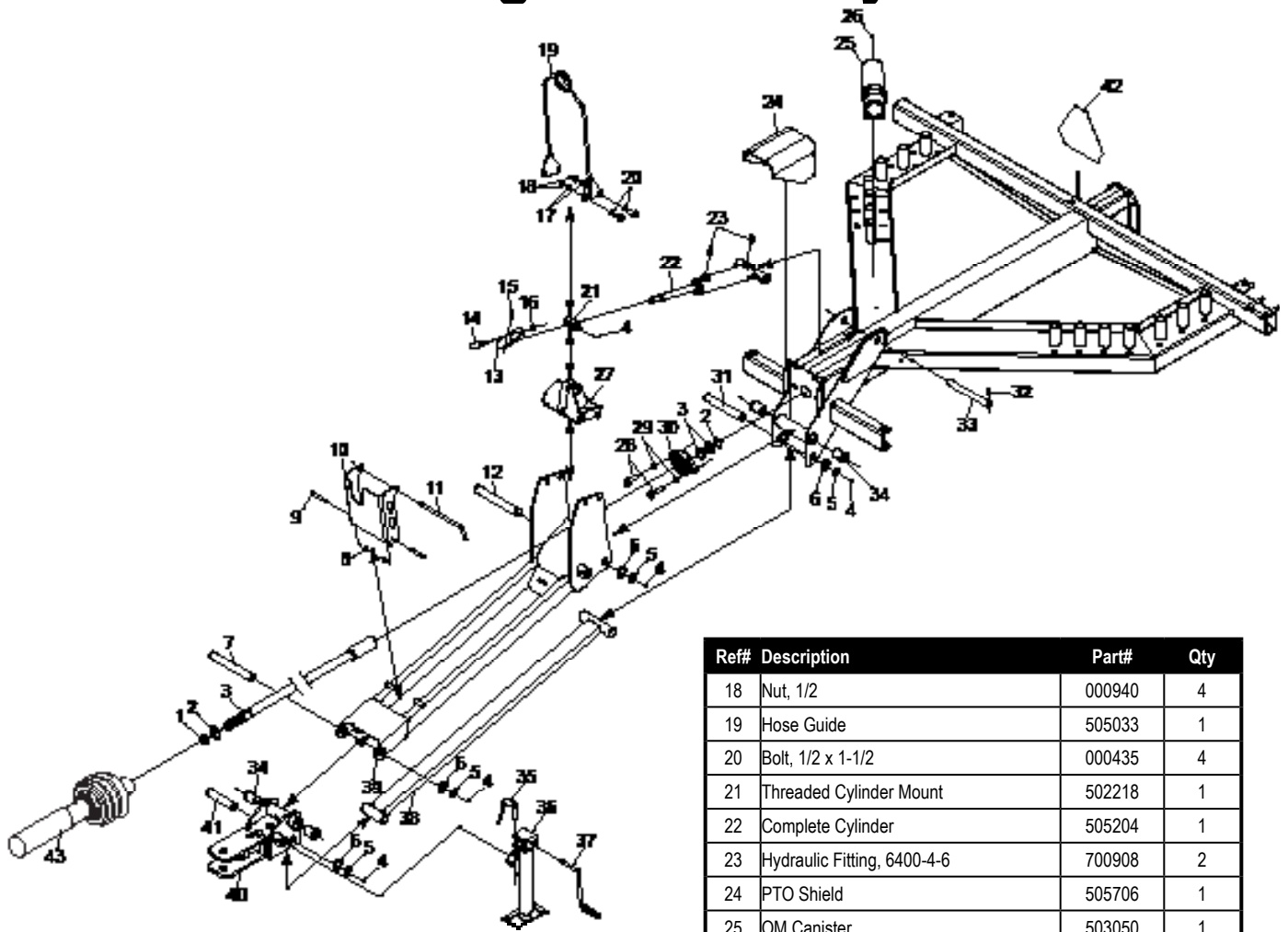


HRS15 Rotary Rake

Illustrated Parts Breakdown

Page 1	Tongue Assembly
Page 2	Guards and Guard Arms
Page 3	Hay Curtain Mount
Page 4	Hay Curtain
Page 5	Rear End Assembly
Page 6	Axle and Walking Beam
Page 7	Tine Arm & Tine
Page 8	Rotary Gearbox
Page 9	Hydraulics
Page 10	Decals

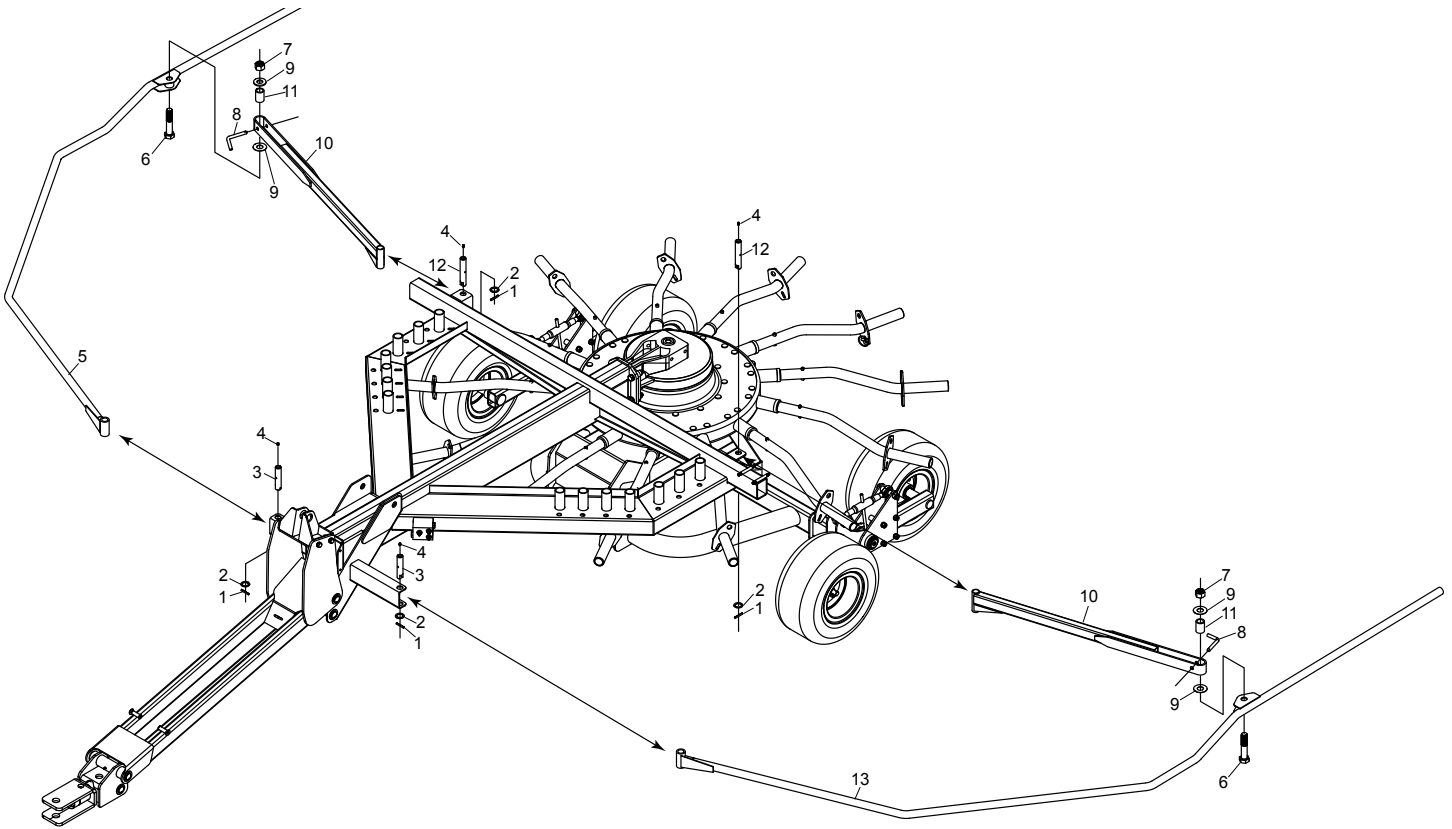
Tongue Assembly



Ref#	Description	Part#	Qty
1	Retaining Ring, 1-3/8	505570	2
2	Machinery Bushing, 1-3/8	001505	3
3	Drive Shaft	505516	1
4	Grease Fitting	400117	5
5	Retaining Ring, 1-1/4	701173	4
6	Machinery Bushing, 1-1/4	500185	4
7	Pivot Shaft	505683	1
8	Nylon Locknut, 3/8	003000	2
9	Bolt, 3/8 x 2-1/2	000300	2
10	PTO Stand	505241	1
11	Hitch Pin	505707	1
12	Pivot Shaft	505687	1
13	Front Cylinder Handle	503037	1
14	Handle	502149	1
15	Roll Pin	500187	1
16	Nylon Jam Nut, 3/8	000920	1
17	Lock Washer, 1/2	000840	4

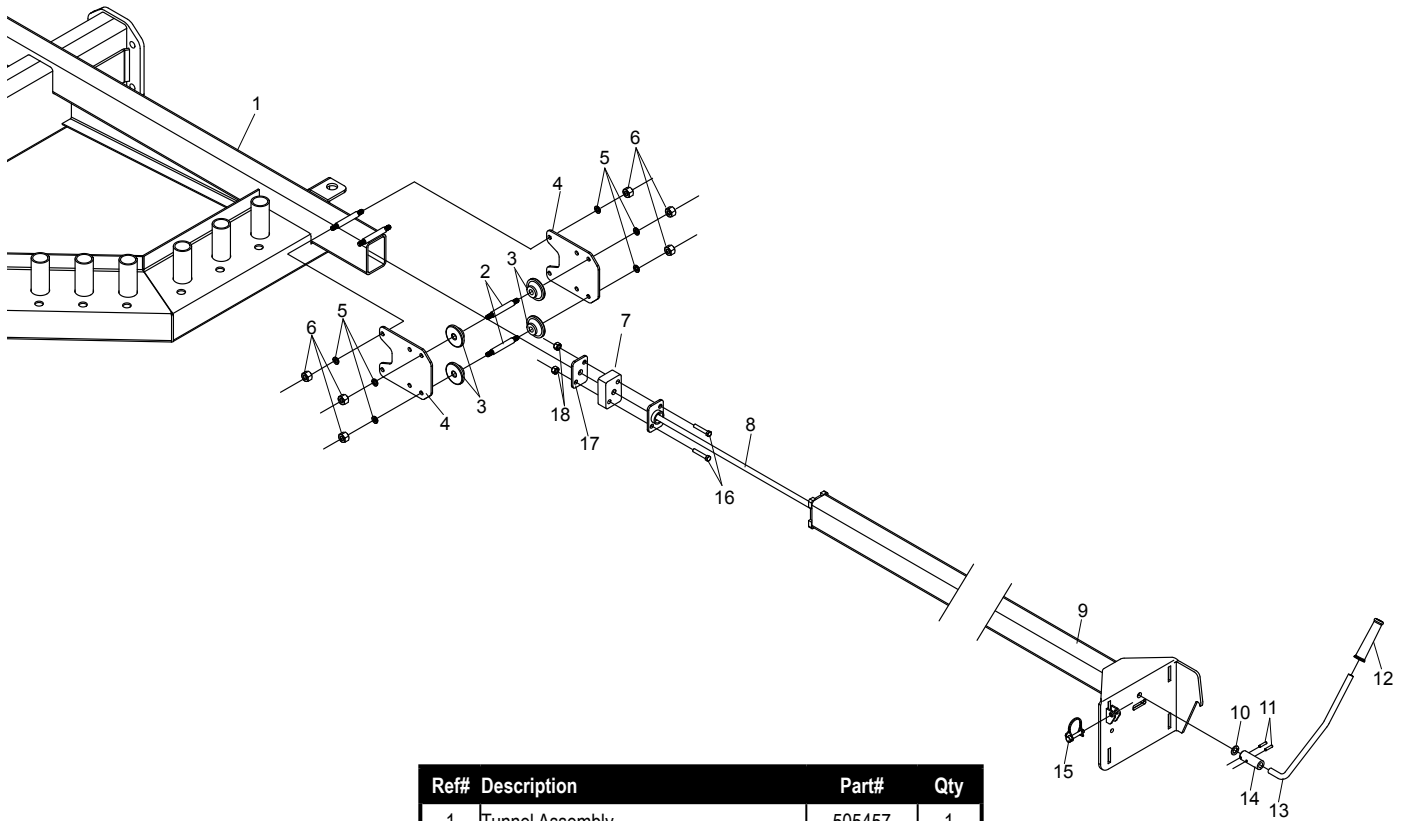
Ref#	Description	Part#	Qty
18	Nut, 1/2	000940	4
19	Hose Guide	505033	1
20	Bolt, 1/2 x 1-1/2	000435	4
21	Threaded Cylinder Mount	502218	1
22	Complete Cylinder	505204	1
23	Hydraulic Fitting, 6400-4-6	700908	2
24	PTO Shield	505706	1
25	OM Canister	503050	1
25a	Operator's/Parts Manual	990033	1
26	Screw	000115	1
27	Trunnion Pivot	505212	1
28	Bolt, 1/2 x 1-1/2	000435	2
29	Lock Washer, 1/2	000840	2
30	Flange Bearing	505568	1
31	Pivot Shaft	505686	1
32	Roll Pin	500187	2
33	Pivot Shaft	505342	1
34	Bronze Bushing	505099	4
35	Pin and Chain	500012	1
36	Complete Jack	903317	1
37	Jack Handle	903318	1
38	Hitch Linkage	505102	1
39	Tongue	505098	1
40	Swivel Hitch	505468	1
41	Pivot Shaft	505684	1
42	SMV Triangle	507166	1
43	Complete PTO Shaft	505701	1
44	PTO Shield Kit, Bondioli Shaft	505797	1

Guards and Guard Arms



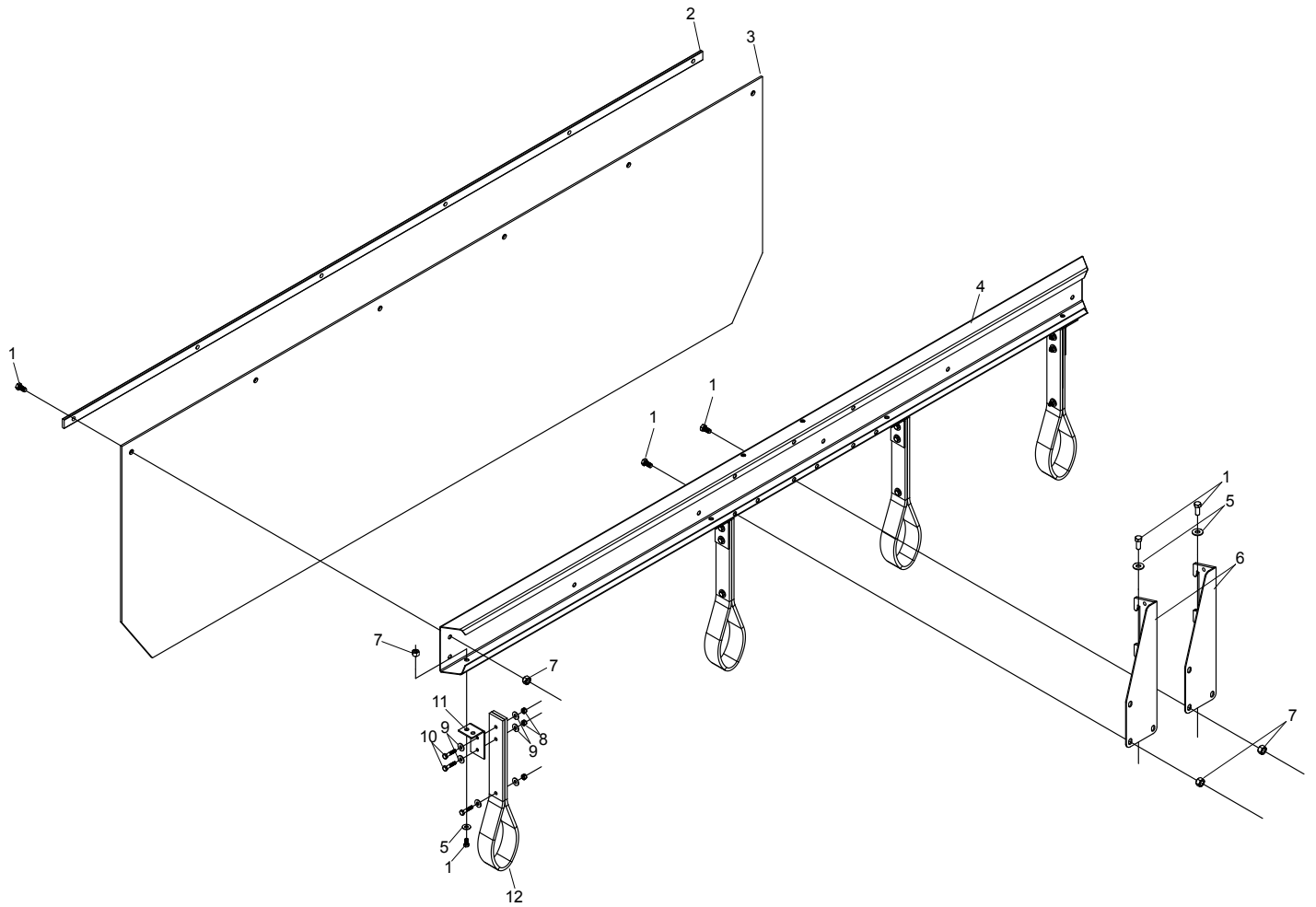
Ref#	Description	Part#	Qty
1	Roll Pin, 1/4 x 1-3/4	500187	4
2	Machinery Bushing, 1"	001008	4
3	Guard Pin	505651	2
4	Grease Fitting	400117	4
5	Guard, Right	505639	1
6	Bolt, 1" x 5"	000785	2
7	Nylon Locknut, 1"	001012	2
8	Pin	100330	2
9	Washer	001094	4
10	Guard Arm	505678	2
11	Pivot Bushing	505638	2
12	Guard Pin	505647	2
13	Guard, Left	505626	1

Hay Curtain Mount



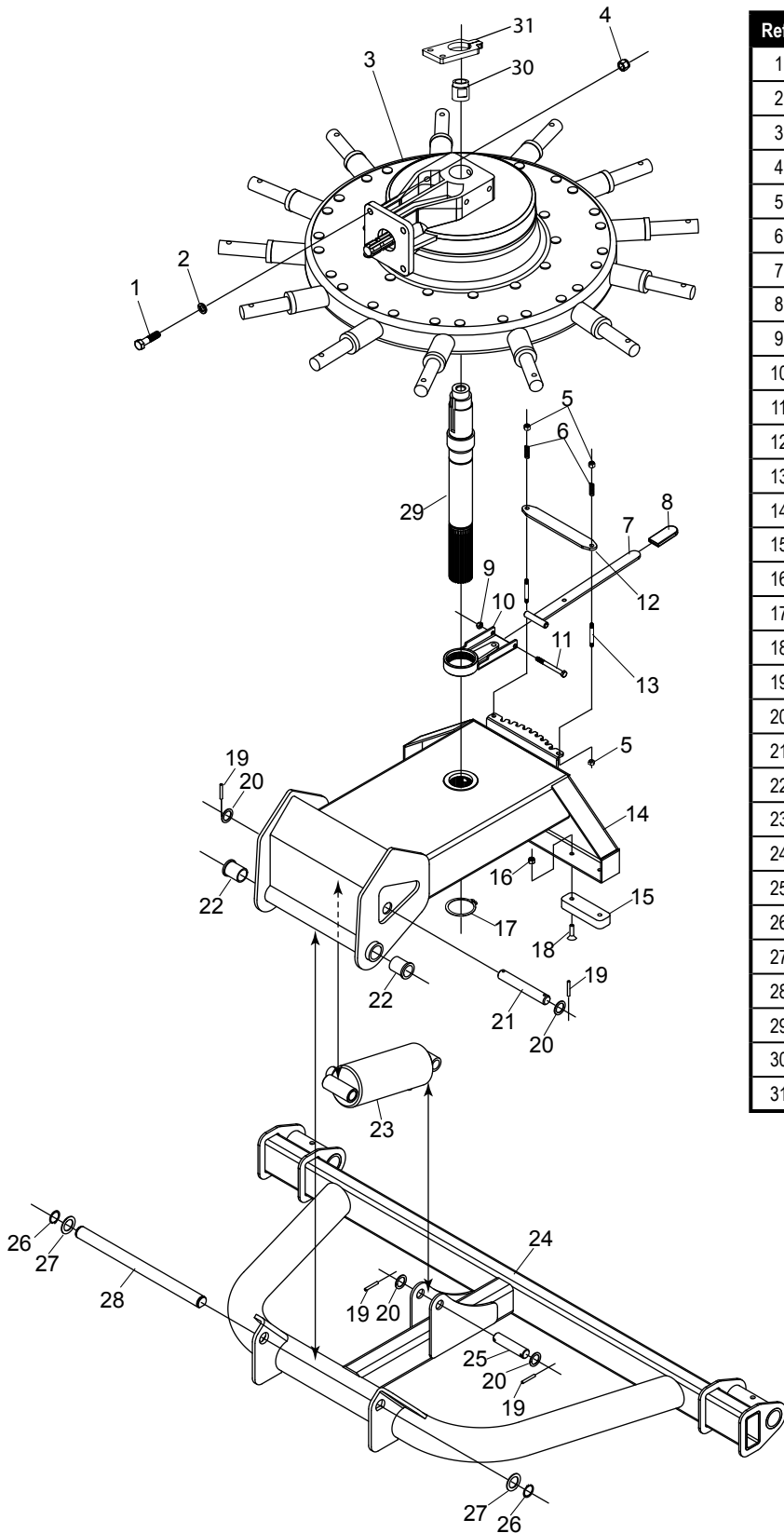
Ref#	Description	Part#	Qty
1	Tunnel Assembly	505457	1
2	Roller Stud	505681	2
3	Plastic Bearing	505605	4
4	Guide Plate S/N 90656+	505607	2
4	Guide Plate S/N -90656	505676	2
5	Lock Washer, 3/8"	000820	12
6	Nut, 3/8"	000915	12
7	Rubber Block	505441	1
8	Torsion Bar	505437	1
9	Curtain Bar	505439	1
10	Machinery Bushing, 1/2"	000530	1
11	Roll Pin, Stainless Steel	505691	2
12	Handle Grip	505052	1
13	Handle	505050	1
14	Curtain Handle Coupler	505053	1
15	Quick Pin	903144	1
16	Bolt, 3/8 x 2	000286	2
17	Rubber Hold Plate	505442	1

Hay Curtain



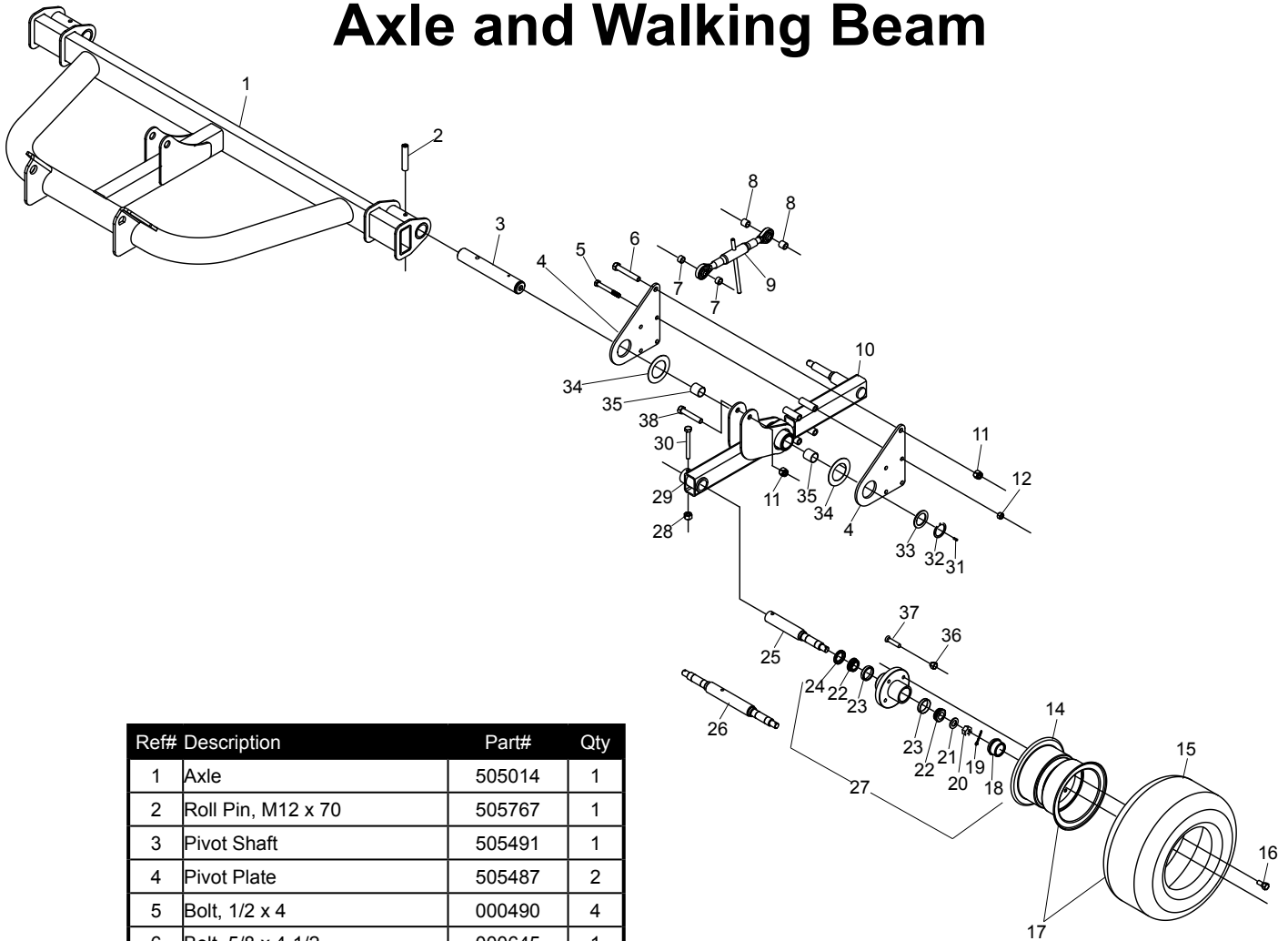
Ref#	Description	Part#	Qty
1	Bolt, 3/8 x 1	000270	20
2	Curtain Clamp	505713	1
3	Hay Curtain	505044	1
4	Curtain Bracket	505520	1
5	Flat Washer, 3/8	001035	8
6	Curtain Mount	505529	2
7	Nylon Locknut, 3/8	003000	20
8	Nylon Locknut, 1/4	003001	12
9	Flat Washer, 1/4	001020	16
10	Bolt, 1/4 x 1	100148	12
11	Mounting Plate	505738	4
12	Curtain Support	505737	4

Rear End Assembly



Ref#	Description	Part#	Qty
1	Bolt, 5/8 x 2-1/2	000620	4
2	Lock Washer, 5/8	000860	4
3	Gearbox, Complete	505001	1
4	Nylon Locknut, 5/8	000972	4
5	Nylon Locknut, 3/8	003000	4
6	Spring	505734	2
7	Pitch Handle	505566	1
8	Handle Grip	401289	1
9	Steel Locknut, 3/8	900134	1
10	Pitch Adjustment Handle	505641	1
11	Bolt, 3/8 x 3-3/4	000310	1
12	Pitch Spring Plate	505562	1
13	Threaded Stud	505681	2
14	Gearbox Base	505560	1
15	Rubber Bumper	505269	2
16	Nylon Locknut, 3/8	003000	4
17	Retaining Ring	502073	1
18	Bolt, 3/8 x 1-3/4 Socket Head	900129	4
19	Roll Pin, 1/4 x 1-3/4	500187	4
20	Machinery Bushing, 1"	001008	4
21	Cylinder Pin	505184	1
22	Bronze Bushing	505099	2
23	Rear Cylinder	505167	1
24	Axle	505014	1
25	Cylinder Pin	508186	1
26	Retaining Ring	701173	2
27	Machinery Bushing, 1-1/4"	500185	2
28	Pivot Shaft	505654	1
29	Gearbox Center Shaft	502054	1
30	Bracing Nut	505768	1
31	Cover Brace Clamp	505770	1

Axle and Walking Beam

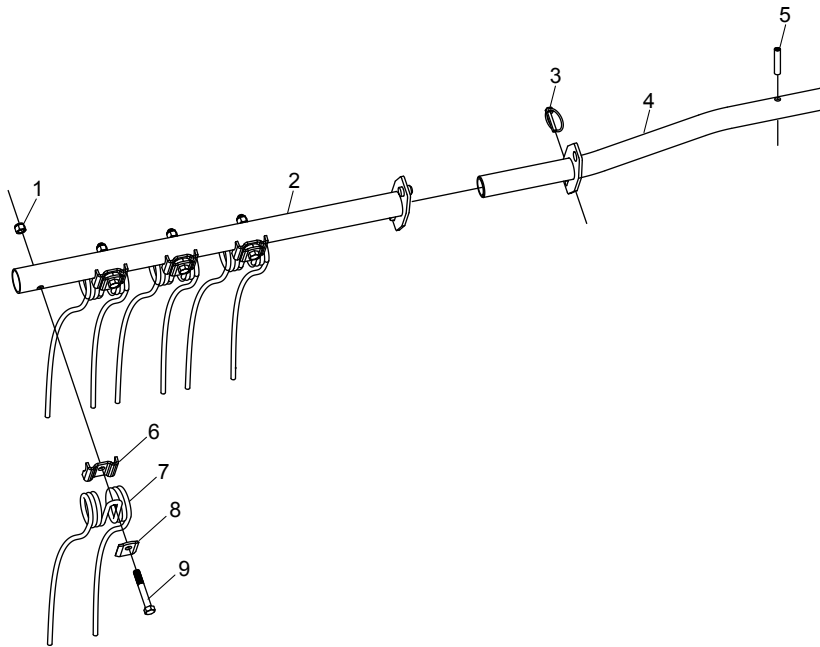


Ref#	Description	Part#	Qty
1	Axle	505014	1
2	Roll Pin, M12 x 70	505767	1
3	Pivot Shaft	505491	1
4	Pivot Plate	505487	2
5	Bolt, 1/2 x 4	000490	4
6	Bolt, 5/8 x 4-1/2	000645	1
7	Spacer	505671	2
8	Spacer	505495	2
9	Turn Buckle	505259	1
10	Walking Beam, Rear	505494	1
11	Nylon Locknut, 5/8	000972	2
12	Nylon Locknut, 1/2	000950	4
14	Rim	500222	2
15	Tire	500221	2
16	Lug Bolt	500210	8
17	Tire & Wheel	500220	2
18	Cap	500209	2
19	Cotter Pin	500208	2
20	Spindle Nut	500207	2
21	Spindle Washer	500206	2
22	Bearing	500202	4
23	Race	500204	4
24	Seal	500201	2

Ref#	Description	Part#	Qty
25	Spindle	505534	1
26	Double Spindle	505114	1
27	Hub Complete	500199	2
28	Nylon Locknut, 3/8	003000	2
29	Front Walking Beam, Left	505532	1
29a	Front Walking Beam, Right	505480	
30	Bolt, 3/8 x 2-1/2	000300	2
31	Grease Fitting	400117	1
32	Retaining Ring	505492	1
33	Machinery Bushing	500191	1
34	Pivot Washer	505489	2
35	Bronze Bushing	300012	2
36	Lug Nut	508506	8
37	Wheel Stud	508505	8
38	Bolt, 5/8 x 3-1/2	000627	1

NOTE: Quantities listed are for left side only
 Quantities may change if extra tire option is installed

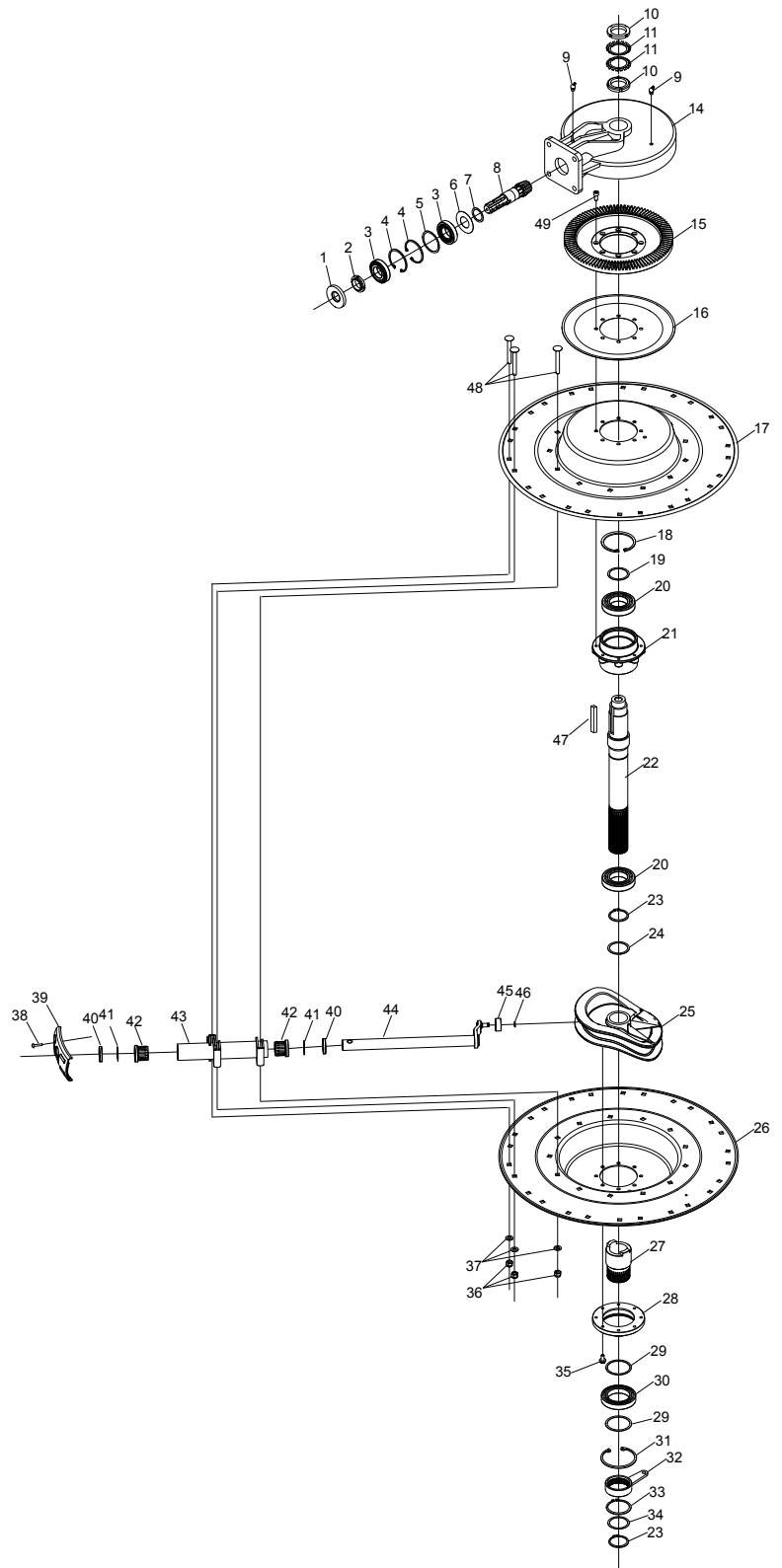
Tine Arm and Tine



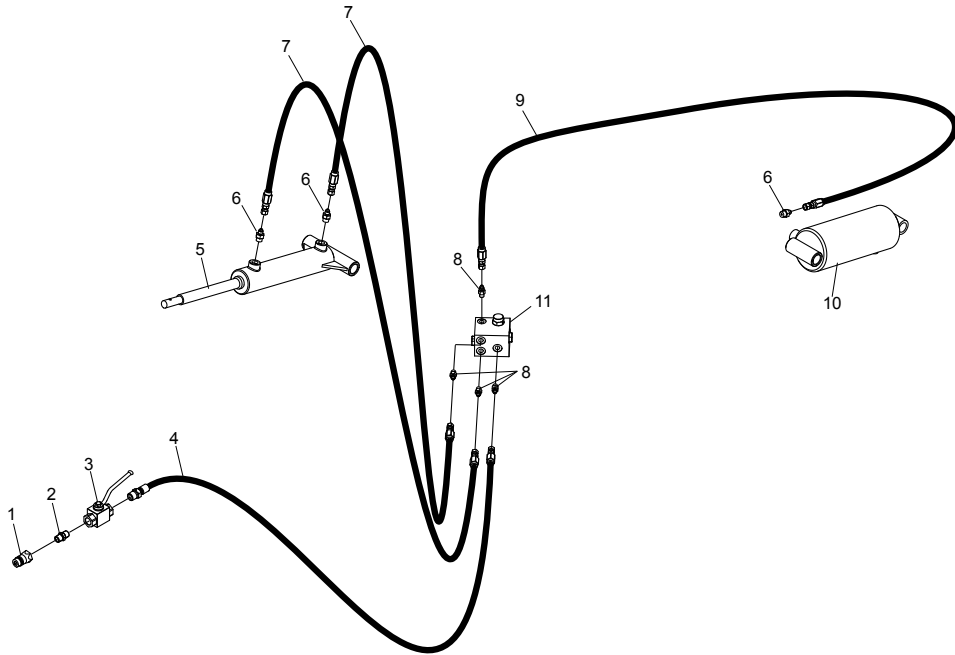
Ref#	Description	Part#	Qty
1	Locknut, 1/2	000950	52
2	Tine Arm	505407	13
3	Lynch Pin	500219	13
4	Stub Arm	505462	13
5	Roll Pin	702019	13
6	Tine Clip	500318	52
7	Tine	500218	52
8	Tine Clip	500319	52
9	Bolt, 1/2 x 3-1/2 GR8	000482	52

Rotary Gearbox

Ref#	Description	Part#	Qty
1	Oil Seal	502064	1
2	Nut	502066	1
3	Bearing	502063	2
4	Snap Ring	502062	2
5	Shim	502068	A/R
6	Shim	502059	A/R
7	Shim	502058	A/R
8	Pinion Shaft	502057	1
9	Grease Fitting	502061	2
10	Locking nut	502137	2
11	Nut Retainer	502138	2
14	Gearbox Cover	502045	1
15	Crown Wheel	502046	1
16	Cover	502047	1
17	Top Cover	502089	1
18	Snap Ring	502050	1
19	Shim	502056	A/R
20	Bearing	502051	2
21	Flange	502049	1
22	Gearbox Center Shaft	502054	1
23	Snap Ring	502073	2
24	Shim	502080	A/R
25	Cam Center	502075	1
26	Bottom Cover	502074	1
27	Spacer	502076	1
28	Cover	502077	1
29	Shim	502082	A/R
30	Bearing	502078	1
31	Snap Ring	502069	1
32	Lever	502079	1
33	Snap Ring	502081	1
34	Shim	502080	A/R
35	Bolt	502083	4
36	Locknut, M12	002876	39
37	Washer	502052	39
38	Screw	000117	13
39	Plastic Cap	502072	13
40	O-Ring Bushing	502093	26
41	O-Ring	502084	26
42	Plastic Hub	502088	26
43	Connecting Rod Support	502071	13
44	Connecting Rod	502087	13
45	Bearing	502091	13
46	Snap Ring	502086	13
47	Paralell Key	502053	1
48	Bolt	502065	39
49	Bolt	502048	8



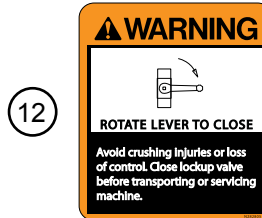
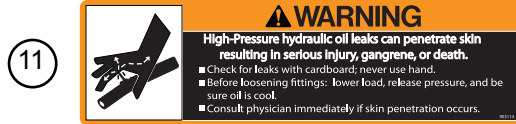
Hydraulic Components



Ref#	Description	Part#	Qty
1	Male Coupler	290105	1
2	Hydraulic Fitting 5404-8-8	502323	1
3	Ball Valve	502322	1
4	Hose	505537	1
5	Front Cylinder	505204	1
6	Hydraulic Fitting 6400-4-6	700908	3
7	Hose	505538	2
8	Hydraulic Fitting 6400-4-4	290195	4
9	Hose	505536	1
10	Rear Cylinder	505167	1
11	Complete Manifold	505540	1

Decals

① **HRS15 HAYMAKER**



Ref#	Description	Part#	Qty
1	Model Number Decal, HRS15	505234	2
2	Pequea Decal	100162	3
3	Important Decal	903126	1
4	PTO Entanglement	903102	1
5	Caution, General Information	903103	1
6	Caution, 540 RPM	903107	1
7	Important, PTO Speed	903116	1
8	Warning, Prevent Entanglement	903123	2
9	Warning, Thrown Objects	903106	2
10	Warning, Speed	903124	1
11	Warning, Hydraulic Pressure	903114	1
12	Warning, Lock-up Valve	903125	1
13	Decal, Red Retroreflective	903112	2
14	Decal, Amber Retroreflective	903121	1
	Complete Decal Kit, HRS15	505351	1