



## CONCRETE CLAW

For Skid Steer Loaders, Compact Utility Loaders, Wheel Loaders, and Utility Loaders



The **FFC Concrete Claw** is an excellent attachment for quick, efficient concrete removal from sidewalks, driveways, and many other concrete construction tasks.



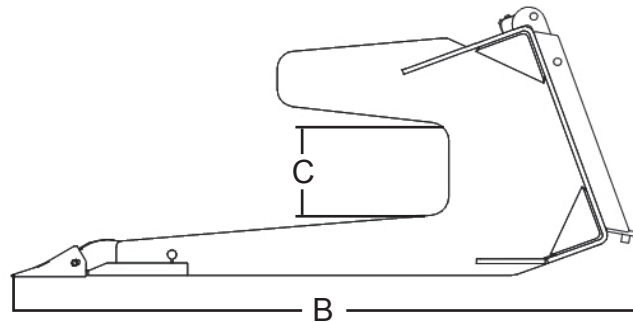
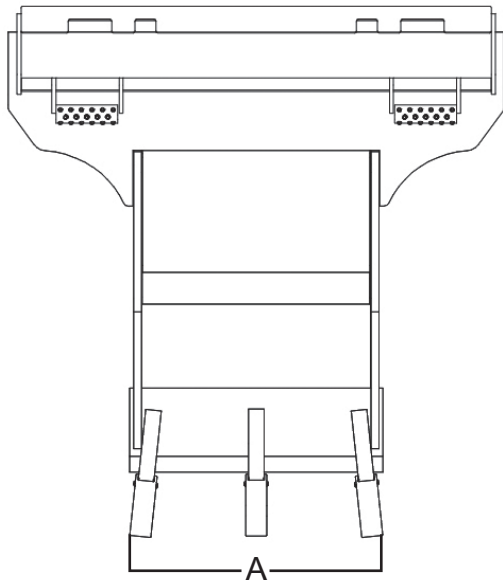
- 24" working width
- High strength cast replacement points
- Rubberized flex points securely fasten replaceable points
- End plates and tooth shanks are made with high-strength T1 steel
- 1" x 8" wear-resistant pacal steel tapered cutting edge



# CONCRETE CLAW

- Name brand replaceable points with 1 1/2" wide shanks
- Slide the claw teeth under the concrete, lift and load
- Provides easy transportation and disposal of heavy concrete slabs
- Allows for a cleaner, quicker, and more efficient method of concrete removal
- 1 year warranty on structure

Specifications	24"
Model	10024
Weight (lbs)	442
A. Working Width	24"
B. Depth OD	48"
C. Rear opening height	7.5"
Lift Capacity	< 10,000 lbs
Operating Weight	< 32,000 lbs



*FFC concrete claws are designed for maximum reliability, durability, and productivity at the job site.*