

FERRI[®]

Boom mowers for agriculture
and green areas

T460
SMART



T460

SMART

An innovative project for a modern agriculture. An ambitious task was given to the Ferri technical department: to realize a compact, reliable, strong and lightweight boom mower. In collaboration with the Institute IMAMOTER CNR we managed to reduce weight thanks to

an innovative oil tank in polypropylene. The reliability and strength are ensured by the new Delta Box frame. Compact but powerful, the pump engaging the rotor is entirely cast iron made.

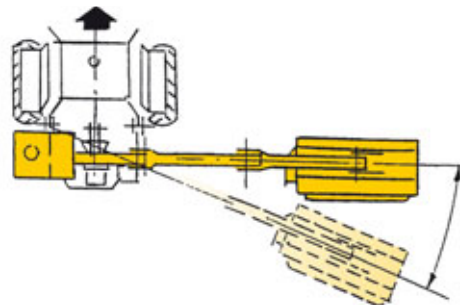
Boom mowers for agriculture and green areas



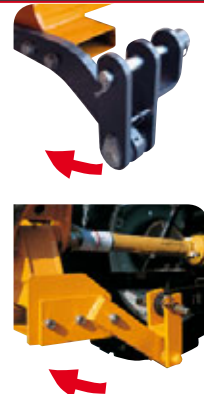
The polypropylene oil tank is separated from the frame and allows it to be isolated from any structural stress. Fully recyclable.



Developed and tested in collaboration with:

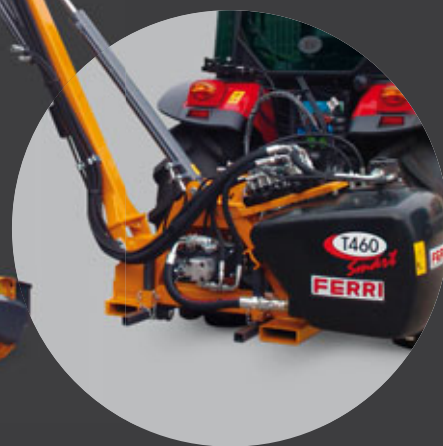


Mechanical breakaway (arm protection in case of obstacles)



"Overlap" spiral rotor with two spiral rows.

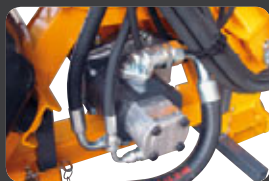
FERRI®



Left hand version



Flail head angle 190°



Cast iron hydraulic rotor pump group 3



classic
Cable controls

IMPLEMENTS



Cutter bar




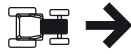

Boom mowers for agriculture and green areas




Technical data		T460 SMART
Model		DUAL
Max horizontal reach*	ft	15'1"
3 Points Linkage	Cat.	II
Weight	lbs	1279
Oil	gal	31,7
P.t.o.	MAX Rpm	540

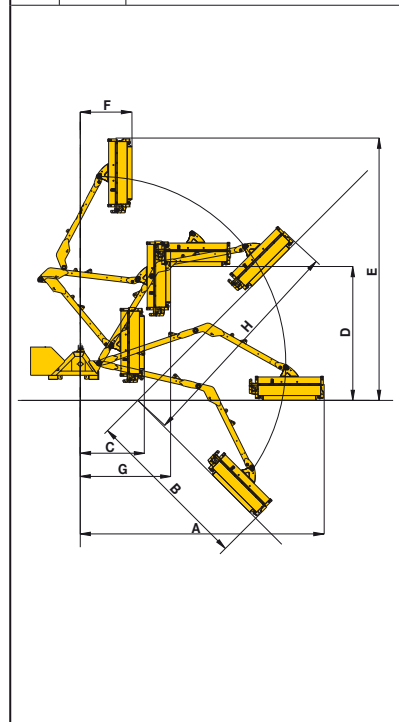
* Reach measured from tractor centre line to head edge.

Flail head		TIM110	 <p>TIM110 Direct Drive Cast iron motor</p>
Width of cut	ft	3'5"	
Rotor speed	Rpm	3100	
Blade tip speed	ft/sec	196	
Flail head angle		190°	
Weight	lbs	286	
Power available to the rotor	HP	35	
Power max to hydraulic motor	HP	45	

Tractor						
HP		50	60	70	Min. Tractor weight	Min. Tractor width
T460 SMART DUAL					4850 lbs	5'11" ft

Flails		N°
TIM110	Interchangeable on the same rotor	
Multi-use and straight blades for: grass, shrubs, bushes, sticks, wood.	Ø max 1 3/4"	 32+16

Working positions (ft)		
		T460 SMART DUAL
A	ft	15'1"
B	ft	10'4"
C	ft	3'9"
D	ft	7'6"
E	ft	16'3"
F	ft	3'1"
G	ft	5'4"
H	ft	13'9"



FERRI srl
Via Govoni, 30
44034 Tamara (FE) Italy
Tel. +39 0532 866866
Fax +39 0532 866851
info@ferrisrl.it - www.ferrisrl.it



**Customer Service
Sales & Marketing/FERRI:**
Don Garner
Vancouver, WA 98682
tel. 360-281-3641
d.garner@ferrisrl.it

Parts Stock / FERRI:
J.S. Woodhouse Co., Inc.
1314 Union Street
P.O. Box 1169
West Springfield, Ma. 01090 U.S.A.
tel. 413-736-5462
fax 413-732-3786
info@jswoodhouse.com

www.ferri-america.com

All data subject to change
campbelladv.com 55613 T460 - USA - EN Rev.0 - 500