

Professional Line

ProTeam



FERRI[®]

Offset in-line slope mowers

ZHE
PROFESSIONAL





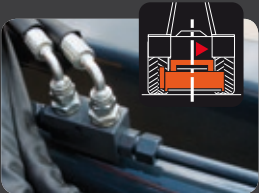
The ZHE2500 Central and offset mower meets the needs of the professional green maintenance operators, who require high productivity and reliability. The productivity is ensured by the significant cutting width of the machine and by the "Overlap" double helix rotor. The reliability stems from the presence of relevant structural details, such as the inner subframe all round protection, the shock absorber with mechanical springs, the

rotation joint mounted on self-lubricating bushings and the height adjustable roller ($\varnothing 6 \frac{1}{2}$ " with removable end caps). Particular attention has been paid to the safety during transportation, a double hydraulic lock system prevents unintentional movement or the oscillation of the mower.

Offset in-line slope mowers



SAFETY



Hydraulic block valve for transport with automatic activation (no chains or holders).

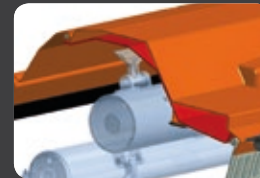


Hydraulic block tap for transport with manual activation (no chains or holders).

RELIABILITY



Wear resistant and replaceable tubular skids.



Inner lining for a complete protection of the frame.



Shock absorber with mechanical springs.

FERRI®



ZHE 2500

PERFORMANCE



Gearbox is fitted outside the transmission cover.



“OVERLAP” spiral rotor with two spiral rows for either hammer blades and multiuse flails.



Height adjustable roller $\varnothing 6 \frac{1}{2}$ " with removable end caps.

TECHNICAL



Floating frame following the ground contours.



Rotation joint on self lubricating bushing.





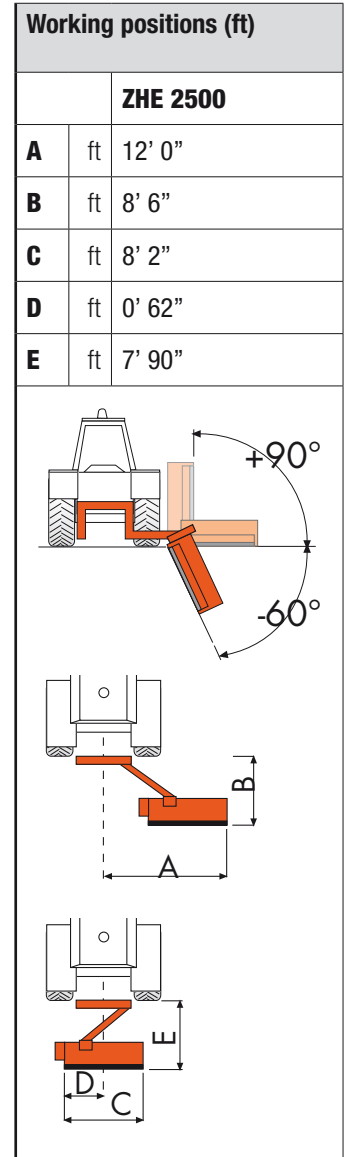
Offset in-line slope mowers



Technical data		<i>ZHE Professional</i>	
Model		2500	
Width of cut	ft	8' 2"	
Max Sidesliding*	ft	12' 0"	
Head angle movement		60°/90°	
Weight	lbs	2992	
Tractor	HP/PS	100/160	
Min. Tractor weight	lbs	8818	
Min. Tractor width	ft	7' 5"	
Pto	MAX Rpm	540	
Blade tip speed	ft/sec	174	

* Reach measured from tractor centre line to head edge

Flails			
Interchangeable on the same rotor ("OVERLAP")			
Forged hammer-blades for: woods, twigs, grass	Ø max 2"		N° 26
Multituse flails for: grass, bushes, shrubs, sticks, wood	Ø max 1 1/2"		N° 78



All data subject to change campbelladv.com 73115 ZHE - USA - EN Rev.2 - 1230



FERRI srl
Via Govoni, 30
44034 Tamara (FE) Italy
Tel. +39 0532 866866
Fax +39 0532 866851
info@ferrisrl.it - www.ferrisrl.it



North America Sales and Marketing Manager / FERRI
Ronald E. Roglis - Glenarm, Illinois 62536
Cell (314) 422-9460 - Fax (217) 483-4123
ron.roglis@gmail.com

Parts Stock / FERRI:
J.S. Woodhouse Co., Inc. - 1314 Union Street
P.O. Box 1169 - West Springfield, Ma. 01090 U.S.A.
tel. 413-736-5462 - fax 413-732-3786
info@jswoodhouse.com

www.ferri-america.com