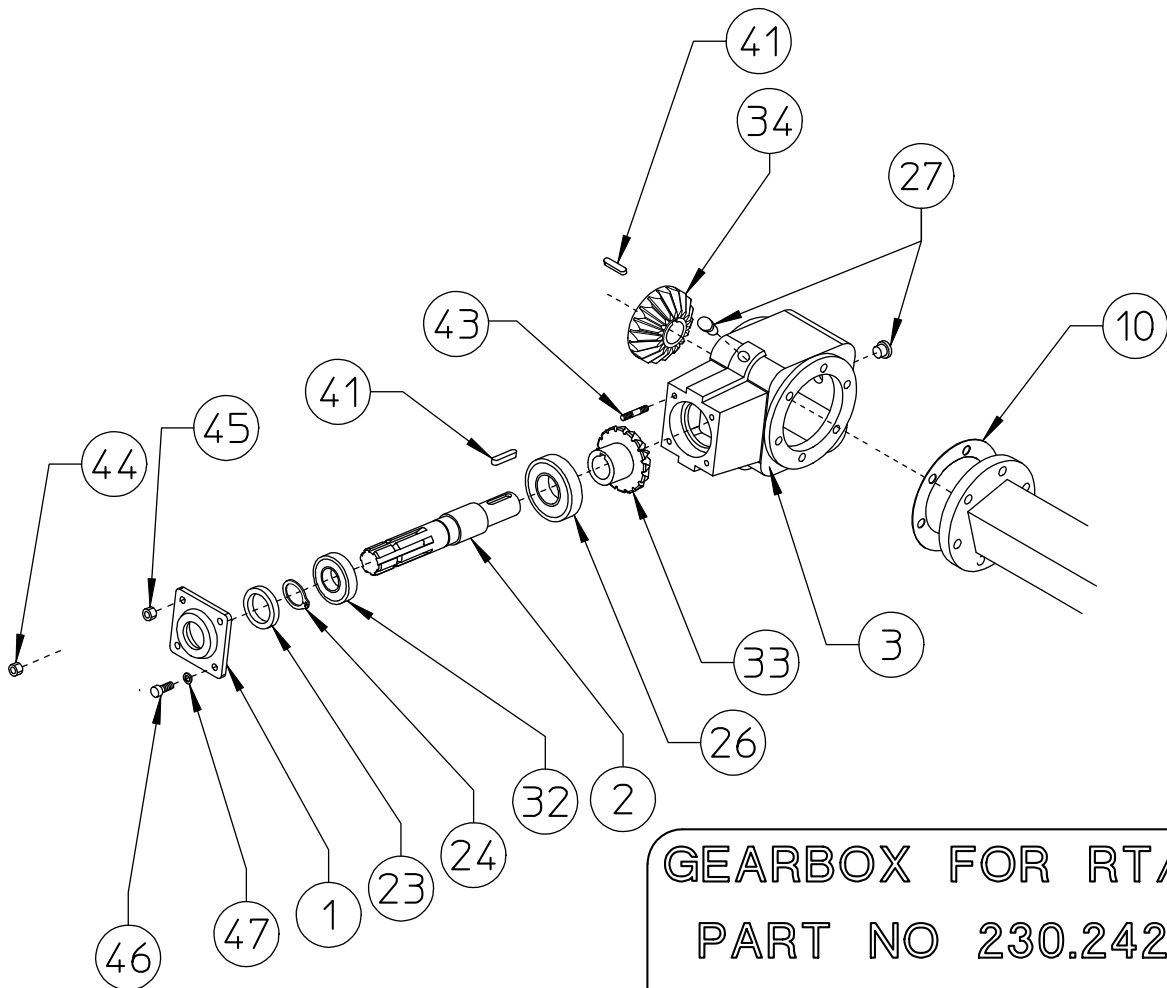


GEARBOX FOR RT/5800
 PART NO 230.026
 (OLD STYLE)



GEARBOX FOR RT/5800
 PART NO 230.242
 (NEW STYLE)

GEARBOX FOR RT/5800-H - PART NO 230.026 (OLD STYLE)				
ITEM	Q.ty	PART NO	DESCRIPTION	NOTE
1	1	200.395	GEARBOX CAP	
2	1	220.555	SHAFT	
3	1	220.968	GEARBOX	
10	2	200.405	GASCKET	
23	1	600.555	OIL RETAINER (ø35/52x10)	
24	1	600.333	SNAP RING (E35-7435)	
25	1	620.041	BEARING (3207B)	
26	1	600.557	BEARING (HK 4520)	
27	2	600.560	PLUG (3/8")	
33	1	200.397	PINION	
34	1	200.400	CROWN	
39	3	600.968	GREASE NIPPLE	
41	2	600.556	FLAT KEY (B8x7x40-6604)	
43	2	600.558	BOLT (M8x30-5911)	
44	2	600.037	NUT (M8-5588)	
45	2	600.552	NUT (M8-5587)	
46	2	600.222	SCREW (M8x20-5739)	
47	2	600.228	SPRING WASHER (ø8,4)	

GEARBOX FOR RT/5800-H - PART NO 230.242 (NEW STYLE)				
ITEM	Q.ty	PART NO	DESCRIPTION	NOTE
1	1	200.395	GEARBOX CAP	
2	1	200.396	SHAFT	
3	1	230.225	GEARBOX	
10	2	200.405	GASCKET	
23	1	600.555	OIL RETAINER (ø35/52x10)	
24	1	600.333	SNAP RING (E35-7435)	
26	1	600.827	BEARING (6209 2RS)	
27	2	600.560	PLUG (3/8")	
32	1	600.608	BEARING (6207 2RS)	
33	1	200.397	PINION	
34	1	200.400	CROWN	
41	2	600.556	FLAT KEY (B8x7x40-6604)	
43	2	600.558	BOLT (M8x30-5911)	
44	2	600.037	NUT (M8-5588)	
45	2	600.552	NUT (M8-5587)	
46	2	600.222	SCREW (M8x20-5739)	
47	2	600.228	SPRING WASHER (ø8,4)	