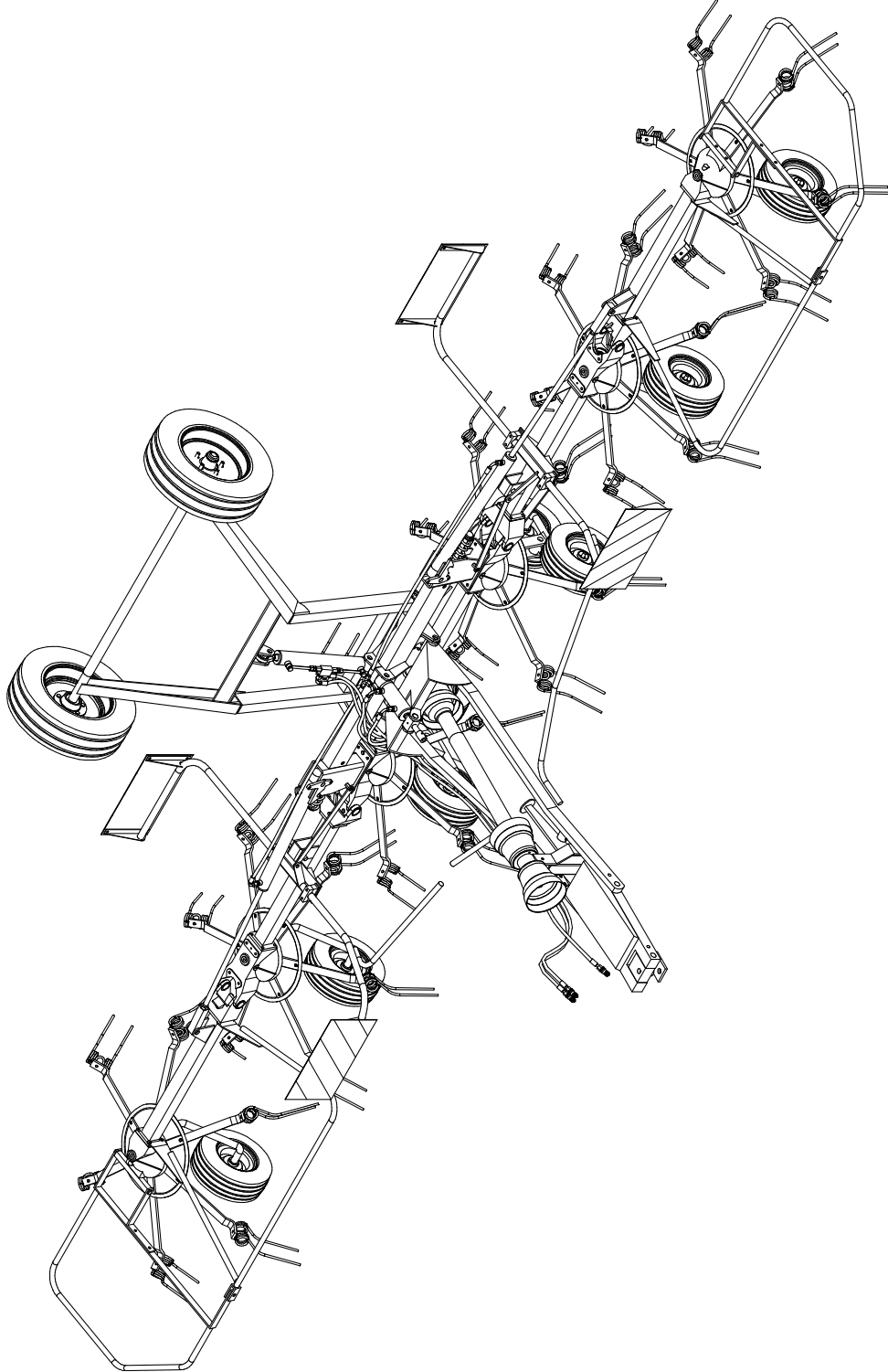




AGRICULTURAL MACHINERY

**sitrex**<sup>®</sup>  
Spa

**SPARE PARTS LIST**  
**ST 780 H**



05/2006

TABLE NO. 920.169/b

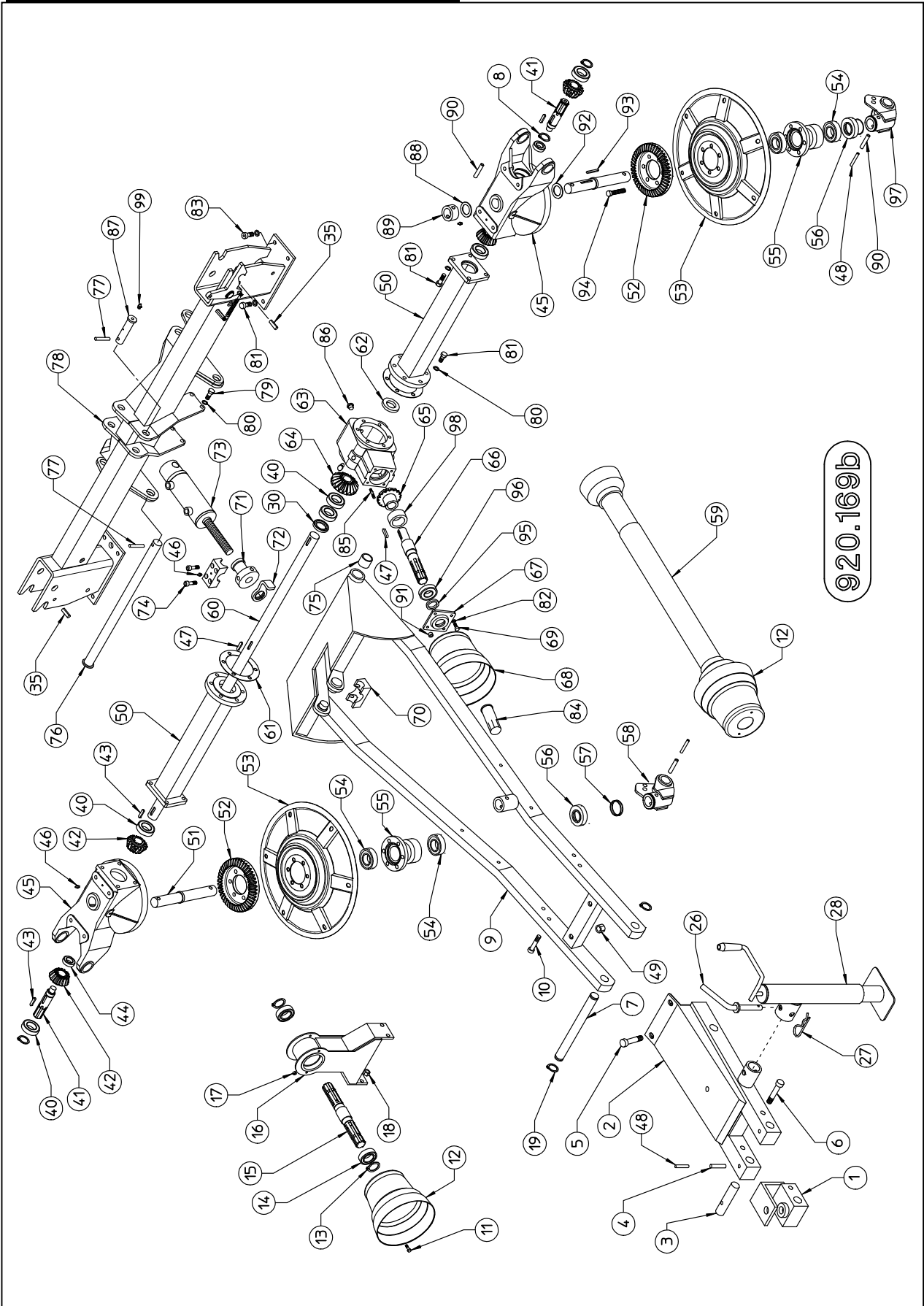
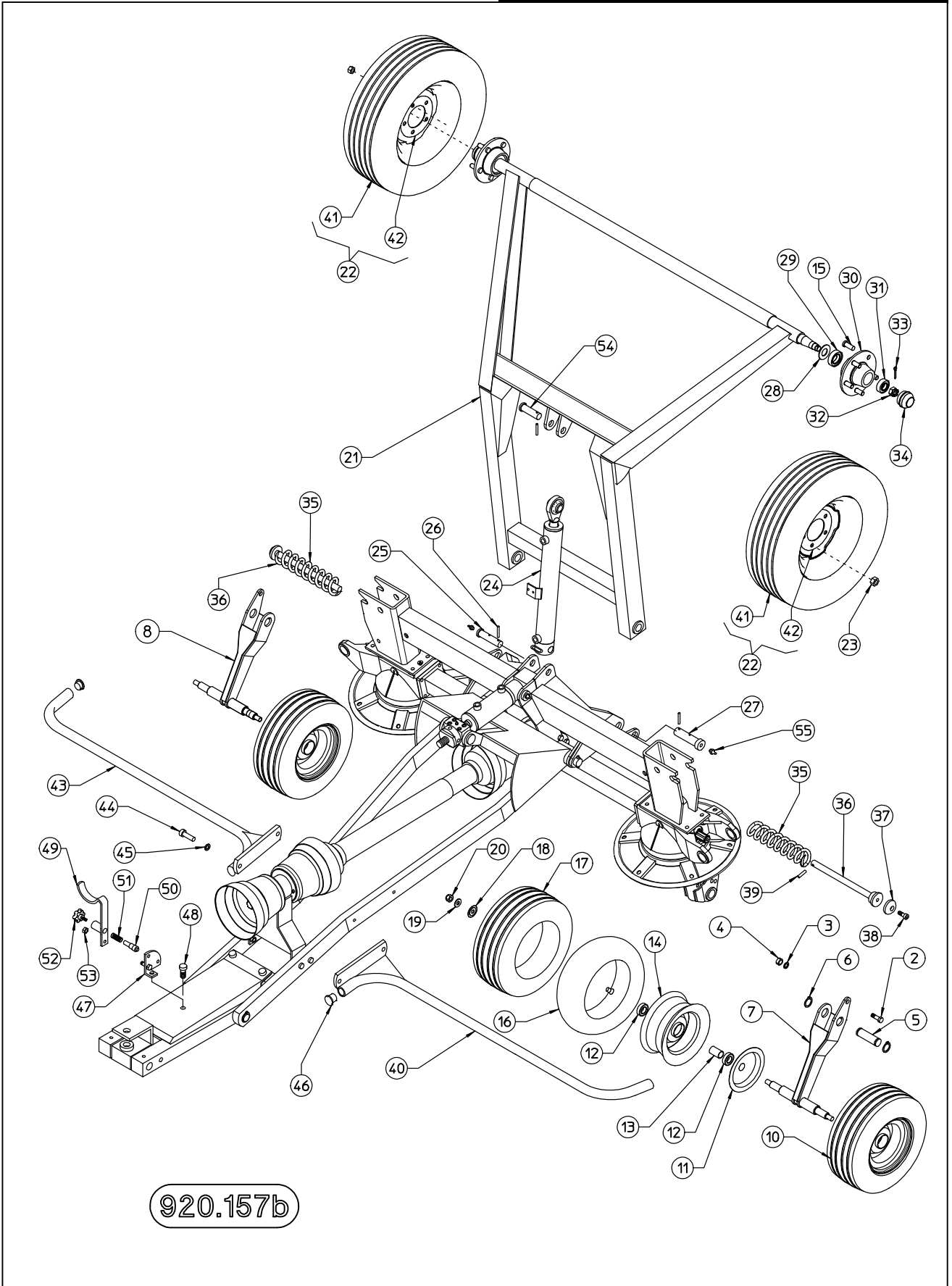


TABLE NO. 920.169/b				
ITEM	Q.ty	PART NO	DESCRIPTION	NOTE
1	1	220.101	BRACKET	
2	1	220.060	EXTENSION	
3	2	220.102	PIN	
4	2	610.788	SPLIT PIN D 12 X 60 DIN1481	
5	2	610.872	SCREW M 16 X 90	
6	2	600.030	SCREW M16 X 80 DIN933	OPTIONAL
7	1	220.103	PIN	
8	4	620.353	SNAP RING E29	
9	1	220.019	DRAWBAR	
10	4	600.754	SCREW M12X 55 DIN933	
11	4	600.236	SCREW M6 X 20 DIN933	
12	2	600.818	HOOD	
13	2	600.333	SNAP RING E 35	
14	2	600.608	BEARING 6207-2RS	
15	1	220.106	SHAFT	
16	1	220.636	SUPPORT	
17	4	600.472	NUT M6 CL	
18	6	600.077	NUT M12 CL	
19	2	600.611	SNAP RING E30	
26	1	200.222	PIN	
27	1	600.019	PIN	
28	1	220.166	STAND	
30	1	600.582	OIL RETAINER 30/56-10	
35	2	610.809	SPRING PIN D. 10x32	
40	5	600.609	BEARING 6206-2RS	
41	2	220.003a	SHAFT	
42	4	220.001	PINION	
43	4	600.123	TAP 8X35	
44	2	600.526	BEARING 63004-2RS	
45	2	210.992	GEARBOX	
46	2	600.124	GREASE NIPPLE M6	
47	2	600.556	TAP 8X40	
48	2	610.871	SPRING PIN D7 X 55	
49	2	600.080	NUT M16 CL	
50	2	220.004	AXLE	
51	2	220.010	PIN	
52	2	220.753	CROWN	
53	2	220.754	TINE DISC	
54	4	600.608/1	BEARING 6207-2RS	

SPARE PARTS

TABLE NO. 920.169/b				
ITEM	Q.ty	PART NO	DESCRIPTION	NOTE
55	2	220.744	HUB	
56	2	220.745	BUSH	
57	2	600.568	GASKET OR829	
58	1	220.031	SUPPORT	
59	1	610.172	CARDAN SHAFT	
60	1	220.007	DRIVE SHAFT	
61	2	200.405	GASKET	
62	1	600.561	OIL RETAINER 30/62-10	
63	1	220.291	GEARBOX	
64	1	210.999	CROWN	
65	1	210.998	PINION	
66	1	220.555	SHAFT	
67	1	200.395	GEARBOX CAP	
68	1	600.681	HOOD	
69	2	600.222	SCREW M8 X 20	
70	1	220.115	EQUALIZER	
71	1	220.116	SELF LOOKING NUT	
72	1	220.335	LOOKING	
73	1	220.059/c	CYLINDER	
74	4	610.863	SCREW TCEI M10 X 50	
75	2	210.761	BUSHING	
76	1	220.104	PIN	
77	2	600.027	SPRING PIN D 8 X 50	
78	1	220.020	CROSSPIECE	
79	4	600.687	SCREW M 12 X 45	
80	24	600.018	WASHER D 13	
81	16	620.393	SCREW M12 X 35	
82	2	600.228	WASHER D 8,4	
83	4	220.334	SCREW	
84	*	600.172	SHAFT GUARD	
85	2	600.558	BOLT M8x30	
86	2	600.560	OIL CAP	
87	1	220.117	PIN	
88	2	200.475	SHIM	
89	2	220.124	BUSH	
90	4	610.870	SPRING PIN D12 X 55	
91	2	600.552	NUT M8	
92	2	200.490	SHIM	
93	2	610.862	CAP 6X60	
94	12	600.564	SCREW M12 X60	
95	1	600.555	OIL RETAINER 35/52 X10	
96	1	620.041	BEARING 3207B.TVH	
97	1	220.384	SUPPORT	
98	1	600.557	BEARING HK4520	
99	1	600.034	GREASE NIPPLE M8	

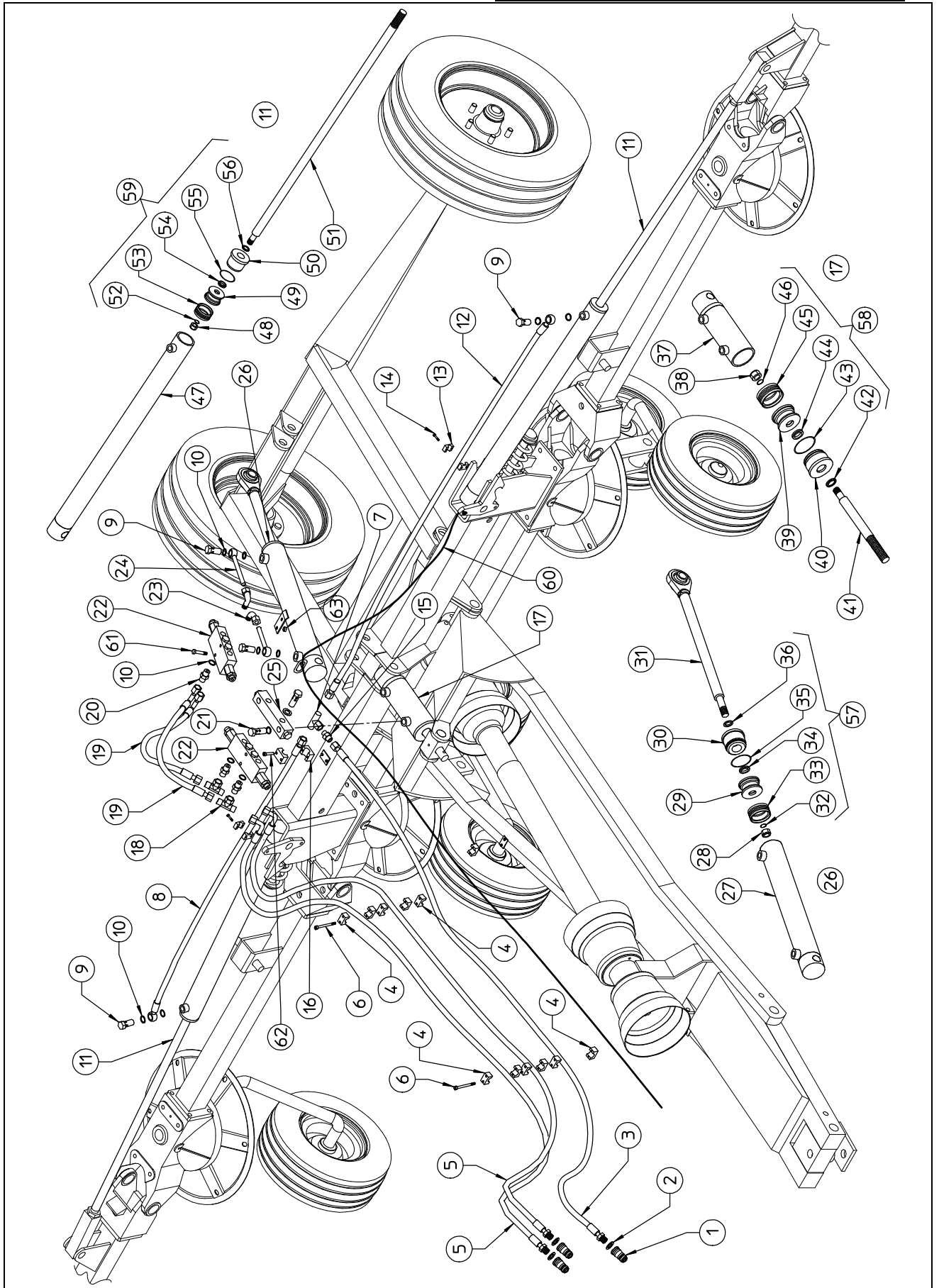
TABLE NO. 920.157/b



SPARE PARTS

TABLE NO. 920.157/b				
ITEM	Q.ty	PART NO	DESCRIPTION	NOTE
1				
2	2	610.167	SCREW M16 X 45	
3	2	600.031	WASHER D 17	
4	2	600.080	NUT M16 CL	
5	2	220.669	PIN	
6	4	600.333	SNAP RING E35	
7	1	220.670	L.H. SUPPORT	
8	1	220.314	R.H. SUPPORT	
9				
10	4	610.272	TIRE ASSY	
11	4	210.596	DUST COVER, INNER	
12	8	600.602	BEARING 6205-2RS	
13	4	200.415	SPACER	
14	4	610.273	RIM	
15	10	610.413	SCREW M16X1,5	
16	4	610.274	TUBE	
17	4	610.275	TIRE	
18	4	200.416	DUST COVER, OUTER	
19	4	600.031	WASHER D.17	
20	4	600.080	NUT M16	
21	1	220.021	AXLE	
22	2	600.281	WHEEL ASSY	
23	10	600.289	NUT M16X1,5	
24	1	220.022	CYLINDER	
25	1	220.117	PIN	
26	3	600.027	SPRING PIN D8 X 50	
27	2	220.121	PIN	
28	2	600.284	DUST COVER	
29	2	600.285	BEARING 30208	
30	2	600.286	HUB WITH SCREWS	
31	2	600.287	BEARING 30206	
32	2	600.288	NUT M27X1,5	
33	2	600.291	SPLIT PIN D 4 X 40 DIN 94 3.6	
34	2	600.290	CAP	
35	2	220.028	SPRING	
36	2	220.017	TIE ROD	
37	2	220.122	PLATE	
38	2	610.873	SCREW TCEI M12X35 UNI5931	
39	2	600.108	SPRING PIN D8 X 40	
40	1	220.143	GUARD	
41	2	600.303	TIRE	
42	2	600.304	RIM	
43	1	220.142	GUARD	
44	4	600.616	SCREW M 12 X 35	
45	4	600.018	WASHER D. 13	
46	4	200.309	PLUG	
47	1	220.394	SUPPORT	
48	1	600.035	SCREW M 16 X 40	
49	1	220.395	CARDAN SUPPORT	
50	1	220.396	PIN	
51	1	220.238	SPRING	
52	1	600.592	KNOB	
53	1	600.077	NUT M12	
54	1	220.118	PIN	
55	3	600.034	GREASE NIPPLE M8	

TABLE NO. 920.158/a

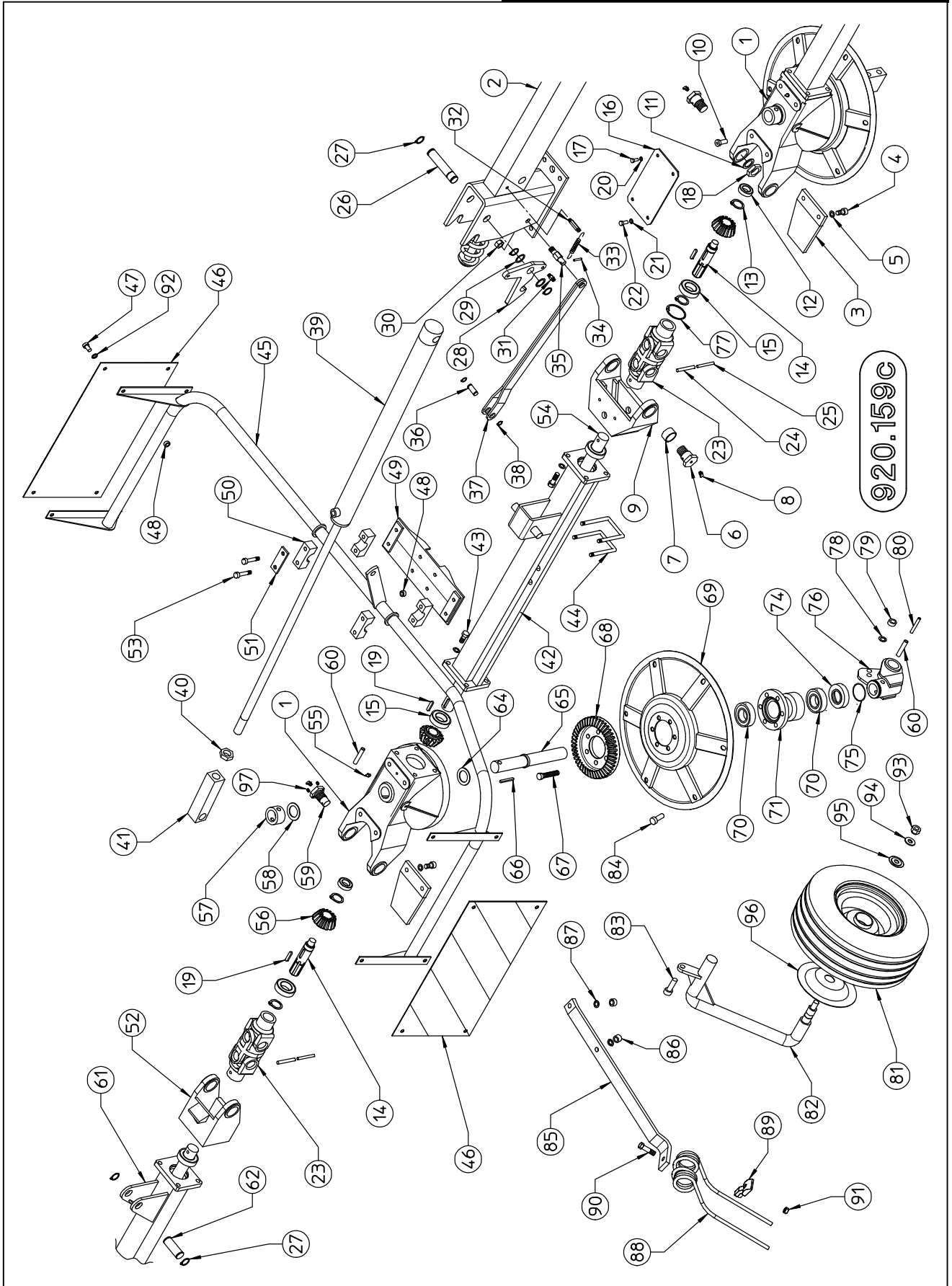


SPARE PARTS

TABLE NO. 920.158/a				
ITEM	Q.ty	PART NO	DESCRIPTION	NOTE
1	3	600.273	RAPID COUPLING 1/2"	
2	3	600.269	COPPER WASHER 1/2"	
3	1	610.777	HOSE	
4	12	610.035	HOSE COLLAR d.18	
5	2	610.961	HOSE	
6	4	610.956	SCREW TCEI 6 X 95	
7	1	600.880	FITTING	
8	1	610.859	HOSE	
9	4	600.040	FITTING	
10	22	620.452	COPPER WASHER 3/8"	
11	2	220.014	CYLINDER	
12	1	610.860	HOSE	
13	4	610.810	HOSE COLLAR	Ø 16
14	4	610.424	SCREW TCEI 6 X 20	
15	1	600.883	FITTING	
16	2	610.035	HOSE COLLAR d.18	
17	1	220.059/c	CYLINDER	
18	2	600.977	FITTING	
19	2	610.730	HOSE	
20	4	600.270	FITTING	
21	4	610.858	FITTING	
22	2	610.785	VALVE	
23	2	610.903	FITTING	
24	2	220.392	IRON PIPE	
25	1	220.317	VALVE	
26	1	220.022/a	CYLINDER	
27	1	220.388/a	CYLINDER PIPE	
28	1	610.087	NUT	
29	1	200.303	PISTON	
30	1	210.043	HEAD	
31	1	220.389/a	ROD	
32	1	600.646	GASKET	
33	1	600.647	GASKET	
34	1	600.876	GASKET	
35	1	600.875	GASKET	
36	1	600.877	GASKET	
37	1	220.390	CYLINDER PIPE	
38	1	600.642	NUT	
39	1	220.393	PISTON	
40	1	210.342	HEAD	
41	1	220.497/a	ROD	
42	1	600.877	GASKET	
43	1	600.982	GASKET	
44	1	600.876	GASKET	
45	1	600.984	GASKET	
46	1	600.646	GASKET	
47	2	220.386	CYLINDER PIPE	
48	2	600.642	NUT	
49	2	200.304	PISTON	
50	2	210.671	HEAD	
51	2	220.387	ROD	
52	2	600.646	GASKET	
53	2	600.648	GASKET	
54	2	610.436	GASKET	
55	2	610.090	GASKET	
56	2	610.435	GASKET	
57	1	600.878	KIT GASKET	
58	1	610.088	KIT GASKET	
59	1	610.397	KIT GASKET	
60	2	210.009	ROPE	
61	2	600.071	SCREW M 8 X 50	
62	2	610.165	SCREW M 8 X 35	
63	2	600.076	NUT M 8 CL	



TABLE NO.920.159/c



SPARE PARTS

TABLE NO. 920.159/c				
ITEM	Q.ty	PART NO	DESCRIPTION	NOTE
1	1	210.992	GEARBOX	
2	1	220.020	CROSSPIECE	
3	2	220.125	PLATE	
4	4	600.004	SCREW M12X30	
5	4	600.018	WASHER D.13	
6	2	220.126	PIN	
7	2	610.147	BUSH	
8	4	600.968	GREASE NIPPLE M6X 45°	
9	1	210.994	FORK	
10	2	220.334	SCREW	
11	2	610.789	WASHER D.28	
12	2	600.526	BEARING 63004 2RS	
13	6	620.353	SNAP RING E29	
14	2	220.003a	SHAFT	
15	5	600.609	BEARING 6206 2RS	
16	1	220.165	GUARD	
17	2	600.668	SCREW M6X12	
18	2	220.127	NUT	
19	3	600.123	TAP 8X35	
20	2	600.412	WASHER D. 6,6	
21	2	600.115	WASHER D. 8,4	
22	2	600.352	SCREW M 8 X 16	
23	2	200.857	JOINT	
24	2	600.541	SPRING PIN D. 10X55	
25	2	600.562	SPRING PIN D. 6X55	
26	1	220.119	PIN	
27	5	600.316	SNAP RING E25	
28	1	220.018	RATCHET	
29	2	200.668	SHIM	
30	1	600.075	NUT M14 CL	
31	1	220.159	PIN	
32	1	220.158	PIN	
33	1	220.123	SPRING	
34	1	600.580	SPRING PIN D.6 X 26	
35	1	220.139	PIN	
36	1	220.141	PIN	
37	1	220.140	TIE ROD	
38	2	600.533	SNAP RING E 16	
39	1	220.014	CYLINDER	
40	1	610.150	NUT M 24 X 2	
41	1	220.016	HEAD	
42	1	220.005/a	AXLE	
43	8	620.393	SCREW M12X35	
44	2	220.138	BRACKET	
45	1	220.135	LIGHTING BRACKET	
46	2	610.725	TACKS REFLECTOR	
47	8	600.227	SCREW M10 X 20	
48	12	600.029	NUT M10	
49	1	220.137	SUPPORT	
50	4	610.538	HOSE COLLAR D.35	
51	2	610.539	PLATE	
52	1	210.995	FORK	
53	4	610.540	SCREW M10x70	
54	1	220.008	SHAFT	
55	1	600.124	GREASE NIPPLE M6	

TABLE NO. 920.159/b				
ITEM	Q.ty	PART NO	DESCRIPTION	NOTE
56	3	220.001	PINION	
57	1	220.124	BUSH	
58	1	200.475	SHIM	
59	2	220.128	PIN	
60	2	610.870	SPRING PIN D. 12 X 55	
61	1	220.006	AXLE	
62	1	220.120	PIN	
63				
64	1	200.490	SHIM	
65	1	220.010	PIN	
66	1	610.862	CAP 6X60	
67	6	600.564	SCREW M12 X60	
68	1	220.753	CROWN	
69	1	220.754	TINE DISC	
70	2	600.608/1	BEARING 6207 - 2RS	
71	1	220.744	HUB	
72				
73				
74	1	220.745	BUSH	
75	1	600.568	GASKET OR829	
76	1	220.031	SUPPORT R.H.	
77	2	600.612	SNAP RING I 62	
78	1	600.031	WASHER D. 17	
79	1	600.080	NUT M 16 CL	
80	1	610.871	SPRING PIN D. 7 X 55	
81	1	610.272	TIRE ASSY	
82	2	220.032	TIRE BRACKET	
83	1	610.167	SCREW M16 X 45	
84	6	600.616	SCREW M12 X 35	
85	6	230.137	TINE ARM	
86	12	600.077	NUT M12 CL	
87	12	600.018	WASHER D. 13	
88	6	220.100	TINE	
89	6	230.138	TINE LOCK	
90	6	620.405	SCREW M14 x 60	
91	6	620.441	NUT M14 CL	
92	8	600.322	WASHER D.11	
93	1	600.080	NUT M16	
94	1	600.031	WASHER D.17	
95	1	200.416	DUST COVER OUTER	
96	1	210.596	DUST COVER INNER	
97	4	600.583	SCREW M6x10	

TABLE NO. 920.160/c

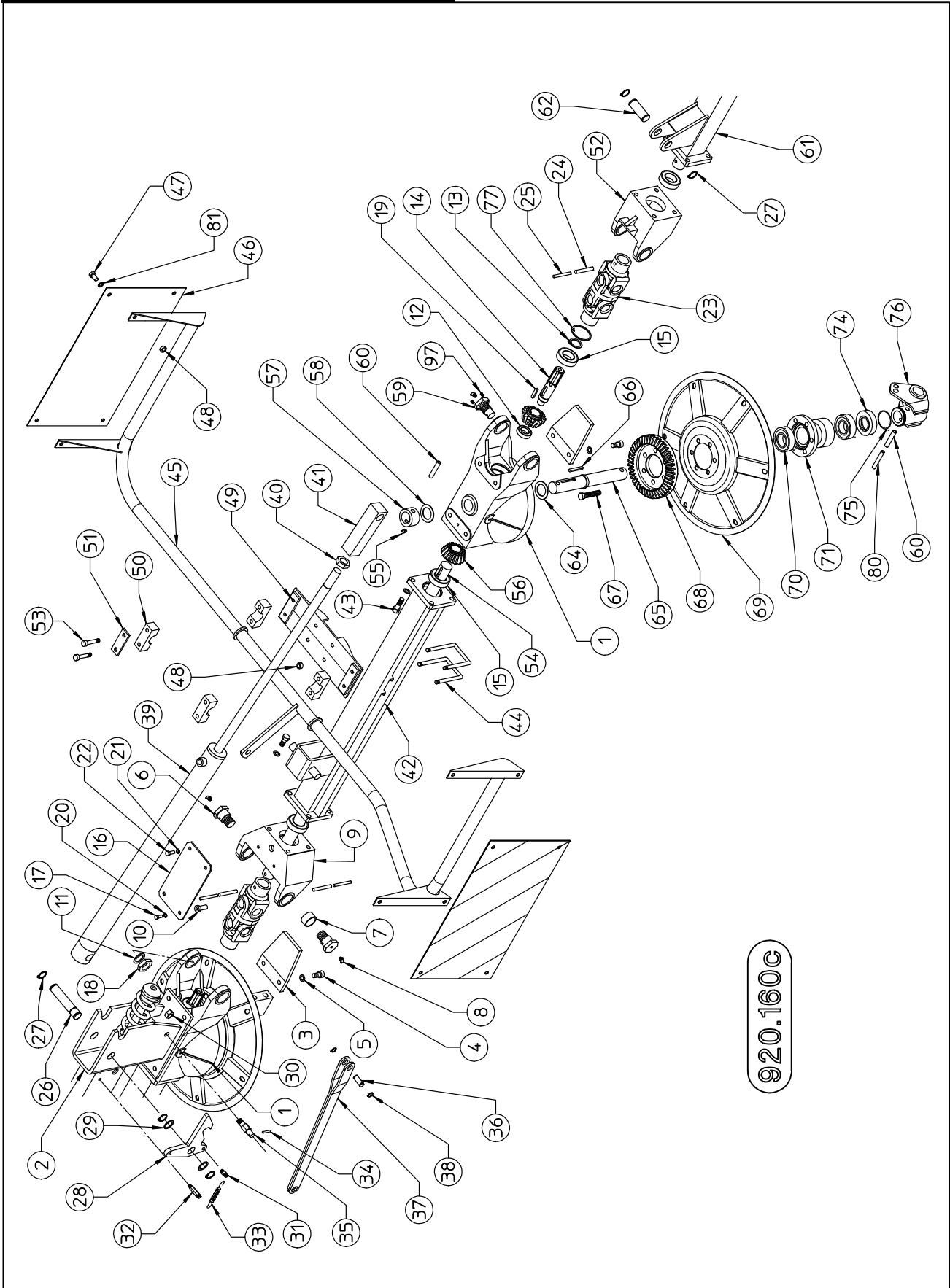


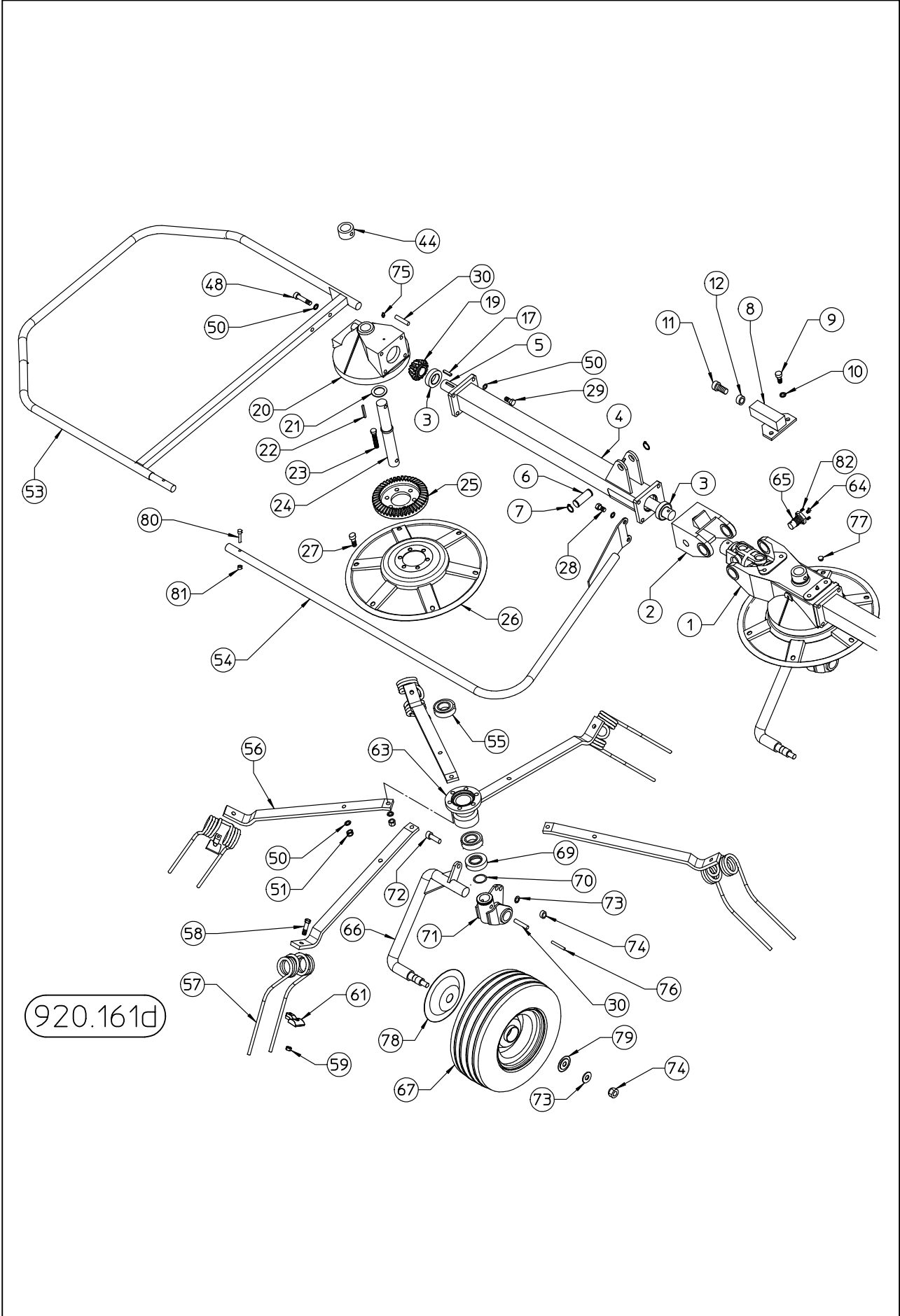
TABLE NO. 920.160/c				
ITEM	Q.ty	PART NO	DESCRIPTION	NOTE
1	1	210.992	GEARBOX	
2		220.020	CROSSPIECE	
3	2	220.125	PLATE	
4	4	600.004	SCREW M12X30	
5	4	600.018	WASHER D.13	
6	2	220.126	PIN	
7	2	610.147	BUSH	
8	4	600.968	GREASE NIPPLE M6X 45°	
9	1	210.994	FORK	
10		220.334	SCREW	
11	2	610.789	WASHER D.28	
12	2	600.526	BEARING 63004 2RS	
13	6	620.353	SNAP RING E29	
14	2	220.003a	SHAFT	
15	5	600.609	BEARING 6206 2RS	
16	1	220.165	GUARD	
17	2	600.668	SCREW M6X12	
18	2	220.127	NUT	
19	3	600.123	TAP 8X35	
20	2	600.412	WASHER D. 6,6	
21	2	600.115	WASHER D. 8,4	
22	2	600.352	SCREW M 8 X 16	
23	2	200.857	JOINT	
24	2	600.541	SPRING PIN D. 10X55	
25	2	600.562	SPRING PIN D. 6X55	
26	1	220.119	PIN	
27	5	600.316	SNAP RING E25	
28	1	220.018	RATCHET	
29	2	200.668	SHIM	
30	1	600.075	NUT M14 CL	
31	1	220.159	PIN	
32	1	220.158	PIN	
33	1	220.123	SPRING	
34	1	600.580	SPRING PIN D.6 X 26	
35	1	220.139	PIN	
36	1	220.141	PIN	
37	1	220.140	TIE ROD	
38	2	600.533	SNAP RING E 16	
39	1	220.014	CYLINDER	
40	1	610.150	NUT M 24 X 2	
41	1	220.016	HEAD	
42	1	220.005/a	AXLE	
43	8	620.393	SCREW M12X35	
44	2	220.138	BRACKET	
45	1	220.136	LIGHTING BRACKET	
46	2	610.725	TACKS REFLECTOR	
47	8	600.227	SCREW M10 X 20	
48	12	600.029	NUT M10	
49	1	220.137	SUPPORT	
50	4	610.538	HOSE COLLAR D.35	
51	2	610.539	PLATE	
52	1	210.995	FORK	
53	4	610.540	SCREW M10x70	
54	1	220.008	SHAFT	
55	1	600.124	GREASE NIPPLE M6	

SPARE PARTS

---

TABLE NO. 920.160/c				
ITEM	Q.ty	PART NO	DESCRIPTION	NOTE
56	3	220.001	PINION	
57	1	220.124	BUSH	
58	1	200.475	SHIM	
59	2	220.128	PIN	
60	2	610.870	SPRING PIN D. 12 X 55	
61	1	220.006	AXLE	
62	1	220.120	PIN	
64	1	200.490	SHIM	
65	1	220.010	PIN	
66	1	610.862	CAP 6X60	
67	6	600.564	SCREW M12 X60	
68	1	220.753	CROWN	
69	1	220.754	TINE DISC	
70	2	600.608/1	BEARING 6207-2RS	
71	1	220.744	HUB	
72				
74	1	220.745	BUSH	
75	1	600.568	GASKET OR829	
76	1	220.384	SUPPORT L.H.	
77	2	600.612	SNAP RING I 62	
80	1	610.871	SPRING PIN D. 7x55	
81	8	600.322	WASHER D.11	
97	4	600.583	SCREW M6x10	

**TABLE NO. 920.161/d**

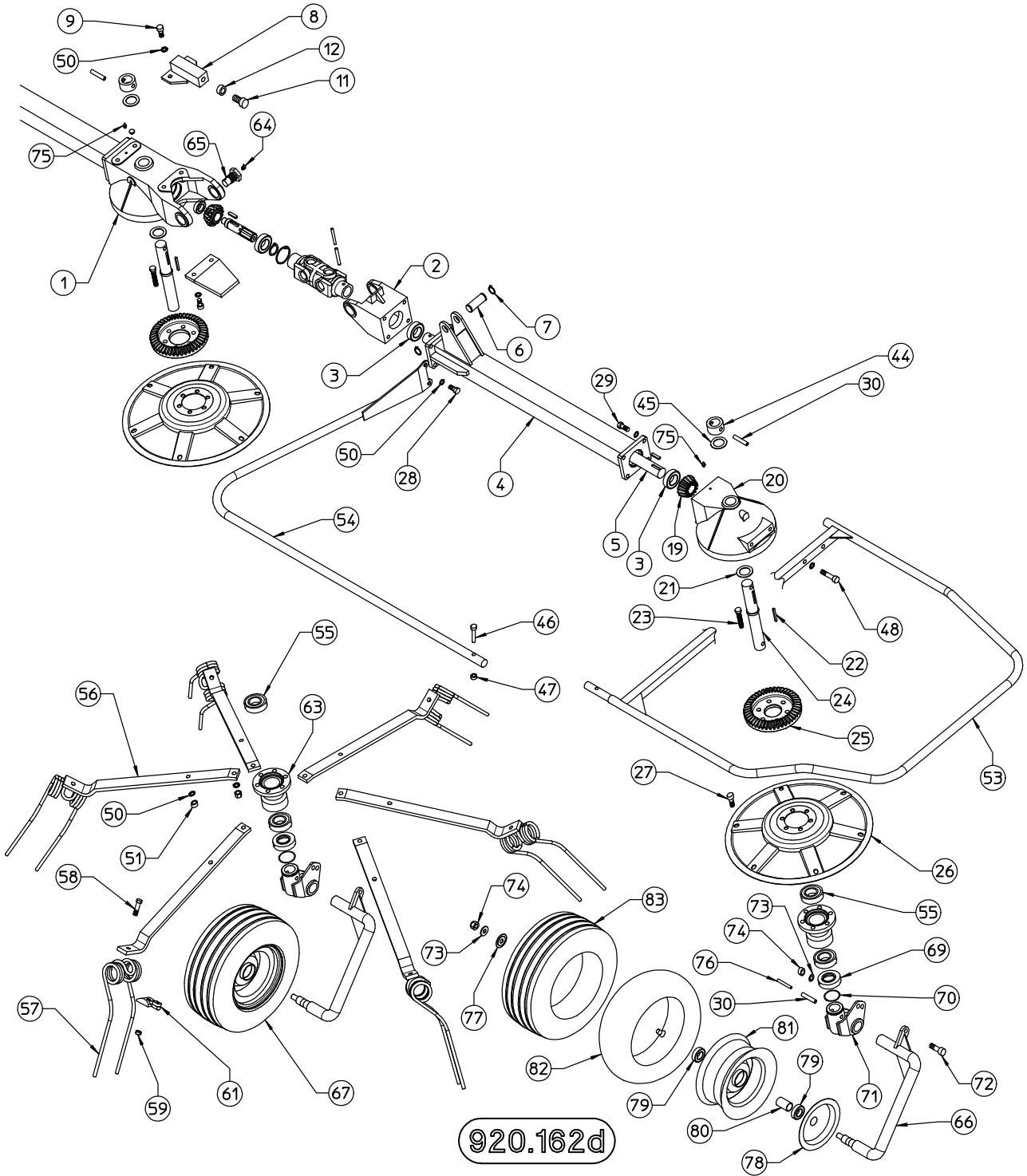


SPARE PARTS

TABLE NO. 920.161/d				
ITEM	Q.ty	PART NO	DESCRIPTION	NOTE
1	1	210.992	GEARBOX	
2	1	210.995	FORK	
3	2	600.609	BEARING 6206 2RS	
4	1	220.006	AXLE	
5	1	220.008	SHAFT	
6	1	220.120	PIN	
7	2	600.316	SNAP RING D. 25	
8	1	230.142	SUPPORT	
9	2	600.004	SCREW M 12 X 30	
10	2	600.018	WASHER D. 13	
11	1	230.147	SCREW M 20 X 50	
12	1	600.257	NUT M 20	
17	1	600.123	CAP 8 X 35	
19	1	220.001	PINION	
20	1	210.993	GEARBOX	
21	1	200.490	SHIM	
22	1	610.862	CAP 6 X 60	
23	6	600.564	SCREW M12x60	
24	1	220.010	PIN	
25	1	220.753	CROWN	
26	1	220.754	TINE DISC	
27	6	600.616	SCREW M12 X 35	
28	2	620.475	SCREW M 12 X 40	
29	6	620.393	SCREW M 12 X 35	
30	2	610.870	SPRING PIN D 12 X 55	
44	1	220.124	BUSH	
45	1	200.475	SHIM	
48	2	600.750	SCREW M12 X 50	
50	24	600.018	WASHER D. 13	
51	12	600.077	NUT M12	
53	1	230.157	R.H. GUARD	
54	1	230.159	R.H. GUARD	
55	2	600.608/1	BEARING 6207-2RS	
56	6	230.137	TINE ARM	
57	6	220.100	TINE	
58	6	620.405	SCREW M14 X 60	
59	6	620.441	NUT M14	
61	6	230.138	TINE LOCK	
63	1	220.744	HUB	
64	2	600.968	GREASE NIPPLE M6 X 45°	
65	2	220.128	PIN	
66	1	220.032	TIRE BRACKET	
67	1	610.272	TIRE ASSY	
69	1	220.745	BUSH	
70	1	600.568	GASKET OR829	
71	1	220.031	SUPPORT R.H.	
72	1	610.167	SCREW M16 X 45	
73	2	600.031	WASHER D. 17	
74	2	600.080	NUT M16	
75	1	600.124	GREASE NIPPLE M6	
77	4	600.896	PLUG	
76	1	610.871	SPRING PIN D. 7 X 55	
78	1	210.596	DUST COVER INNER	
79	1	200.416	DUST COVER OUTER	
80	1	600.063	SCREW M10x45	
81	1	600.029	NUT M10	
82	4	600.583	SCREW M6x10	



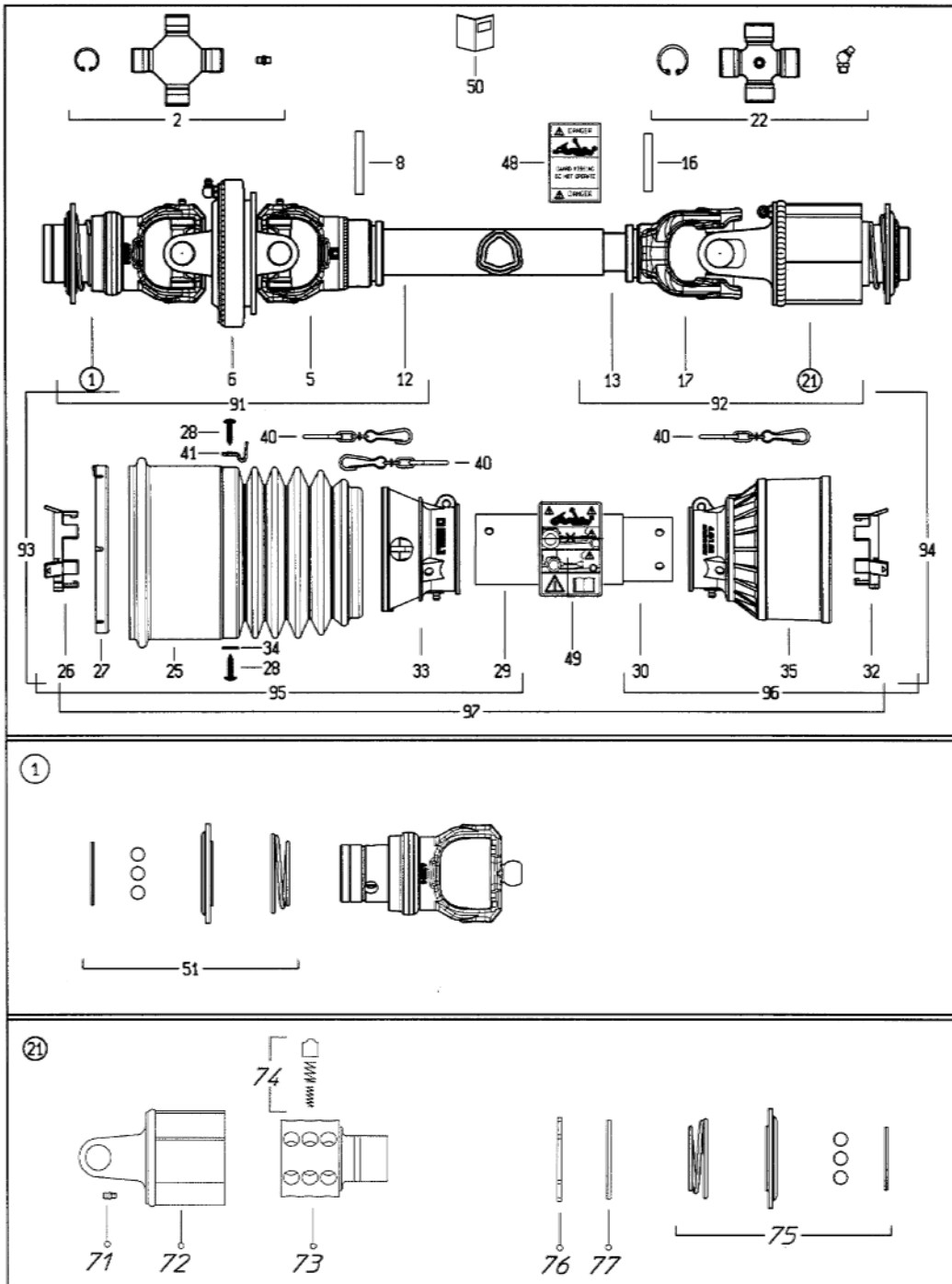
TABLE NO. 920.162/d



## SPARE PARTS

TABLE NO. 920.162/d				
ST 780 H				
ITEM	Q.ty	PART NO	DESCRIPTION	NOTE
1	1	210.992	GEARBOX	
2	1	210.995	FORK	
3	2	600.609	BEARING 6206 2RS	
4	1	220.006	AXLE	
5	1	220.008	SHAFT	
6	1	220.120	PIN	
7	2	600.316	SNAP RING D. 25	
8	1	230.142	SUPPORT	
9	2	600.004	SCREW M 12 X 30	
11	1	230.147	SCREW M 20 X 50	
12	1	620.257	NUT M 20	
19	1	220.001	PINION	
20	1	210.993	GEARBOX	
21	1	200.490	SHIM	
22	1	610.862	CAP 6 X 60	
23	6	600.564	SCREW M12x60	
24	1	220.010	PIN	
25	1	220.753	CROWN	
26	1	220.754	TINE DISC	
27	6	600.616	SCREW M12 X 35	
28	2	620.475	SCREW M 12 X 40	
29	6	620.393	SCREW M 12 X 35	
30	2	610.870	SPRING PIN D 12 X 55	
44	1	220.124	BUSH	
45	1	200.475	SHIM	
46	1	600.063	SCREW M10x45	
47	1	600.029	NUT M10	
48	2	600.750	SCREW M12 X 50	
50	26	600.018	WASHER D. 13	
51	12	600.077	NUT M12	
53	1	230.158	L.H. GUARD	
54	1	230.160	L.H. GUARD	
55	4	600.608/1	BEARING 6207 - 2RS	
56	6	230.137	TINE ARM	
57	6	220.100	TINE	
58	6	620.405	SCREW M14 X 60	
59	6	620.441	NUT M14	
61	6	230.138	TINE LOCK	
63	1	220.744	HUB	
64	2	600.968	GREASE NIPPLE M6 X 45°	
65	2	220.128	PIN	
66	1	220.032	TIRE BRACKET	
67	1	610.272	TIRE ASSY	
69	1	220.745	BUSH	
70	1	600.568	GASKET OR829	
71	1	220.384	SUPPORT L.H.	
72	1	610.167	SCREW M16 X 45	
73	2	600.031	WASHER D. 17	
74	2	600.080	NUT M16	
75	2	600.124	GREASE NIPPLE M6	
76	1	610.871	SPRING PIN D 7 X 55	
77	1	200.416	DUST COVER OUTER	
78	1	210.596	DUST COVER INNER	
79	*	600.602	BEARING 6205-2RS	
80	*	200.415	SPACER	
81	*	610.273	RIM	
82	*	610.274	TUBE	
83	*	610.275	TIRE	

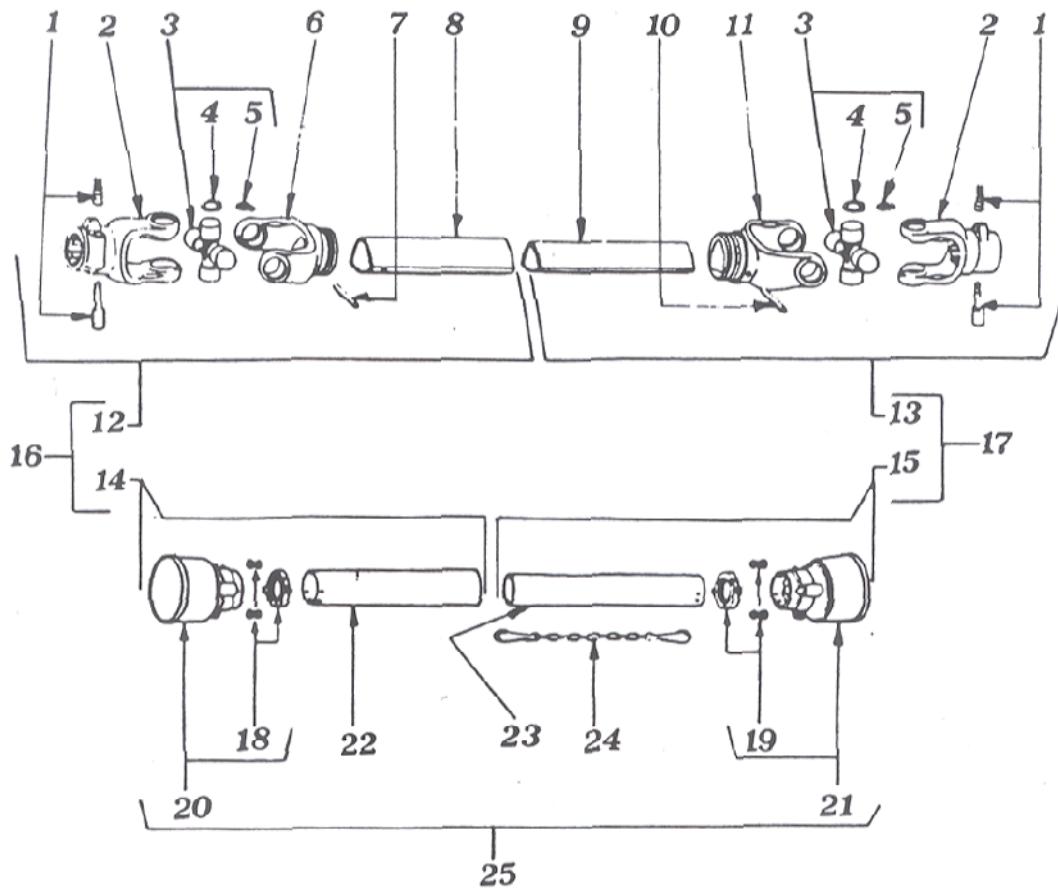
### CARDAN SHAFT 610.844



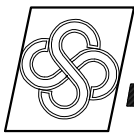
CARDAN SHAFT 610.844			
ITEM	PART NO	Q.ty	DESCRIPTION
1	620.381	1	YOKE
2	620.382	1	CROSS JOURNAL ASS.
5	620.383	1	YOKE
6	620.384	1	CENTER BODY
8	610.548	1	SPRING PIN
12	610.909	1	TUBE
13	610.910	1	TUBE
16	610.551	1	SPRING PIN
17	620.387	1	YOKE
21	620.388	1	TORQUE
22	620.389	1	CROSS JOURNAL ASS.
25	620.390	1	CONE
26	610.557	1	CLIP
27	620.391	1	RING
28	620.392	6	SCREW
29	610.912	1	TUBE
30	610.913	1	TUBE
32	610.562	1	CLIP
33	620.395	1	BASIC CONE
34	620.396	5	WASHER
35	620.397	1	BASIC CONE
40	620.398	3	CHAINE
41	620.399	1	CHAINE HOOK
48	620.400	1	LABEL
49	620.401	1	LABEL
50	620.402	1	MANUAL
51	620.403	1	COMPLETE PUSHING
71	620.411	1	GREASE NIPPLE
72	610.569	1	BODY
73	620.412	1	HUB
74	620.413	18	BUTTON
75	620.414	1	COMPLETE PUSHING
76	610.573	1	REATING WASHER
77	610.574	1	CIRCLIP
91	620.404	1	HALF SHAFT (WITHOUT GUARD)
92	610.915	1	HALF SHAFT (WITHOUT GUARD)
93	620.406	1	HALF SHAFT (WITH GUARD)
94	620.407	1	HALF SHAFT (WITH GUARD)
95	620.408	1	HALF SAFETY GUARD
96	620.409	1	HALF SAFETY GUARD
97	620.410	1	SAFETY GUARD

CARDAN SHAFT B4 090 E

PART NO. 610.172



CARDAN SHAFT NO 610.172			
ITEM	PART NO	Q.ty	DESCRIPTION
1	610.057	2	COMPLETE PUSH BUTTON
2	610.234	1	YOKE
3	610.235	2	CROSS JOURNAL ASS.
4	610.205	8	CIRCLIP
5	610.206	2	GREASE NIPPLE
6	610.236	1	OUTER TUBE YOKE
7	610.208	1	FLEXIBLE PIN
8	610.209	1	CM. CARDAN TUBE
9	610.237	1	CM. CARDAN TUBE
10	610.211	1	FLEXIBLE PIN
11	610.238	1	INNER TUBE YOKE
12	610.239	1	HALF SHAFT (WITHOUT GUARD)
13	610.240	1	HALF SHAFT (WITHOUT GUARD)
14	610.241	1	HALF SAFETY GUARD
15	610.242	1	HALF SAFETY GUARD
16	610.243	1	HALF SHAFT (WITH GUARD)
17	610.244	1	HALF SHAFT (WITH GUARD)
18	610.078	1	O. BEARING
19	610.079	1	I. BEARING
20	610.080	1	O. BASIC CONE
21	610.081	1	I. BASIC CONE
22	610.245	1	CM. SAFETY TUBE
23	610.246	1	CM. SAFETY TUBE
24	610.068	1	CHAINE
25	610.247	1	SAFETY GUARD



AGRICULTURAL MACHINERY  
**sitrex**® Spa

Zona Industriale-Viale Grecia, 8  
06018 TRESTINA-(Perugia)-ITALY  
Tel. +39.075.8540021-Telefax +39.075.8540523  
e-mail: [sitrex@sitrex.it](mailto:sitrex@sitrex.it) [www.sitrex.com](http://www.sitrex.com)

