

Harley POWER RAKE MODEL PRO-8



OPERATOR'S MANUAL

DATE PURCHASED

SERIAL NUMBER

PN-P971400 (04/2002)

Glenmac
INC

INTRODUCTION

GLENMAC, INC., based in Jamestown, North Dakota, along with your authorized Harley dealer, are proud that you chose to purchase a Harley Power Rake. Equipment under the Harley name has been built and sold worldwide for over 35 years. GLENMAC, INC. specializes in the manufacturing of construction and landscape attachments designed to make your job more efficient, cleaner, and easier regardless of the complexity of the job. The Harley Power Rake brings state-of-the-art design, ruggedness, and maneuverability to jobs such as: landscaping, seedbed preparation, site development, rock raking and picking, golf course construction, ball field renovation and maintenance, liner installation, horse track screening, sod farm ground work, beach cleaning - and the job for which you purchased your Harley.

This manual will provide you, the operator, with instructions for proper safety, assembly, and operation procedures so you can benefit from the equipment's optimum level of performance. Successful operation and long-life of your Harley Power Rake depends on you. As owner and operator of your new Harley, it is your responsibility to become familiar with the proper operation and care required to operate it safely and efficiently and to maintain the equipment in top condition.

To keep your Harley equipment at peak performance, please READ THIS MANUAL CAREFULLY several times and follow the directions as specified for each operation. Correct operation and maintenance will save you time and expense.

REMINDER: Fill in the warranty card and mail within 10 days of your purchase date. While filling in the card with the correct information, put the date purchased and serial number on the front cover of this manual. Should you need to call your dealer or GLENMAC, INC., this information will help them to more quickly provide accurate service for you.

Thank you for purchasing a Harley Power Rake.

For more information, contact your local Harley dealer or call:

GLENMAC INC

PO Box 2135

Jamestown ND 58402-2135 U.S.A.

TEL: 1/800/437-9779

TEL: 1/701/252-9300

FAX: 1/701/252-1978



This Safety-Alert Symbol indicates a hazard and means ATTENTION! BECOME ALERT! YOUR SAFETY IS INVOLVED!

**DANGER**

Indicates an imminently hazardous situation that, if not avoided, will result in death or serious injury.

**WARNING**

Indicates a potentially hazardous situation that, if not avoided, could result in death or serious injury, and includes hazards that are exposed when guards are removed.

**CAUTION**

Indicates a potentially hazardous situation that, if not avoided, may result in minor or moderate injury.

ASSEMBLY

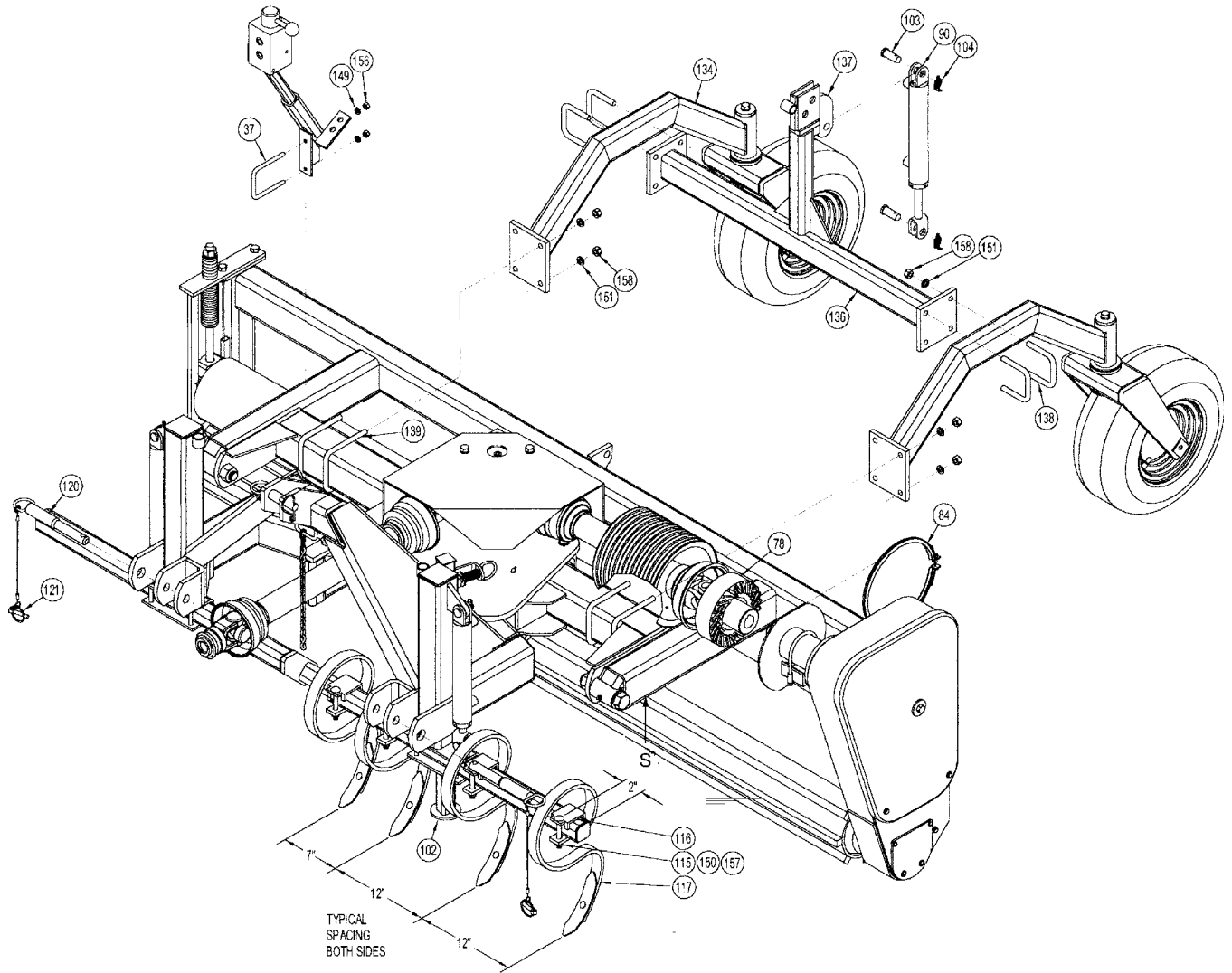


Figure 7

GENERAL ASSEMBLY

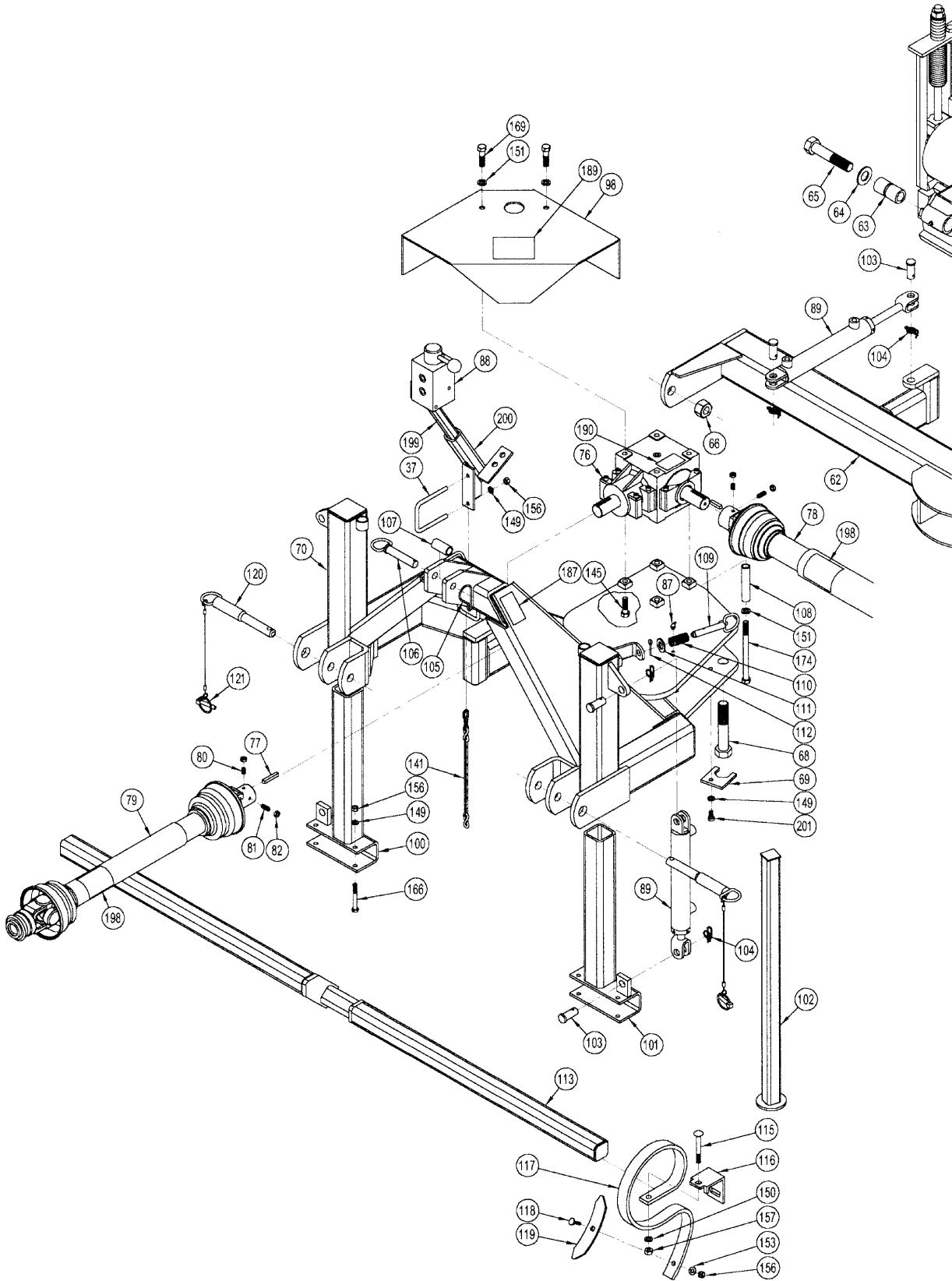


Figure 8L

GENERAL ASSEMBLY

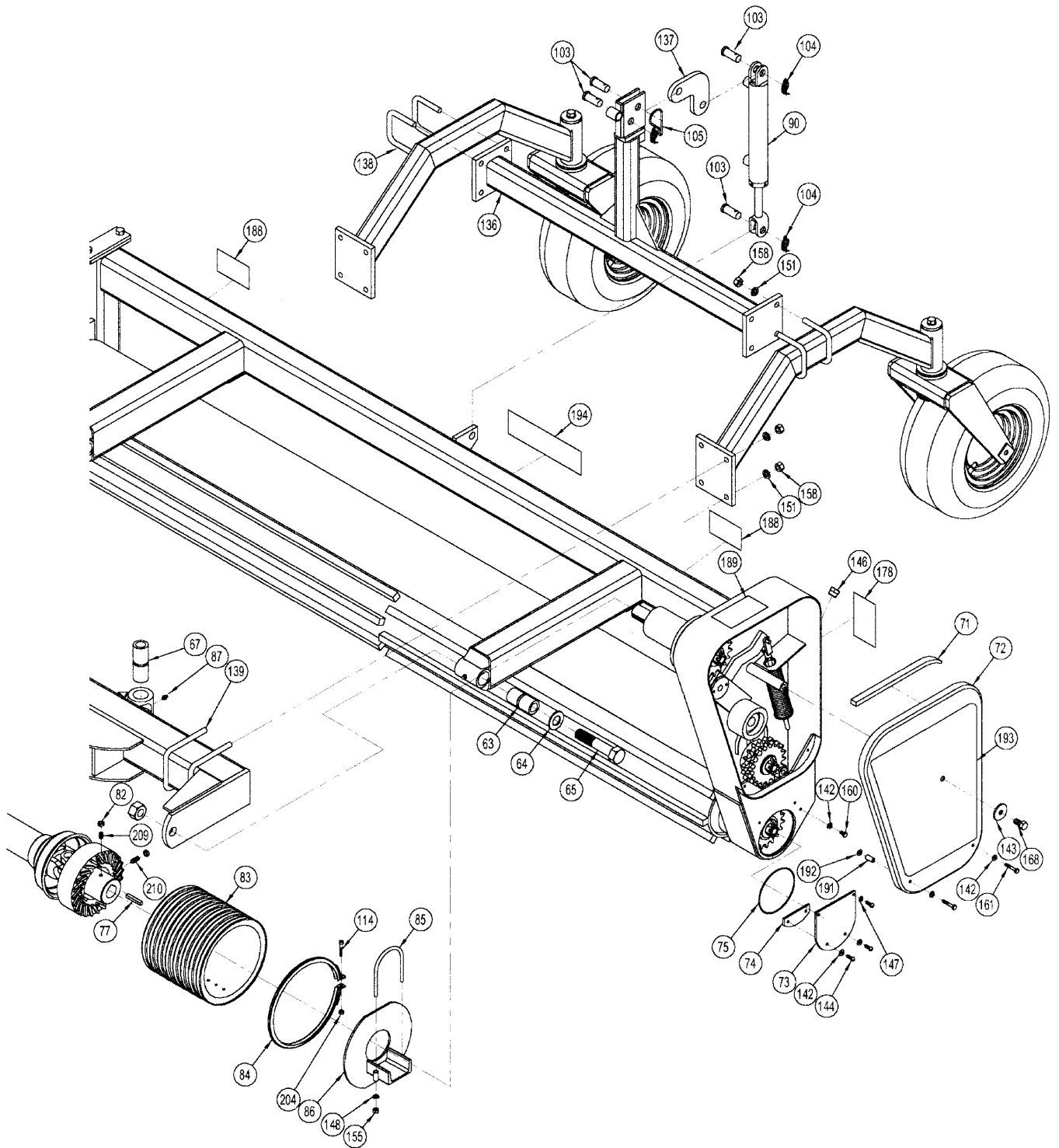


Figure 8R

FRAME & DRIVE ASSEMBLY

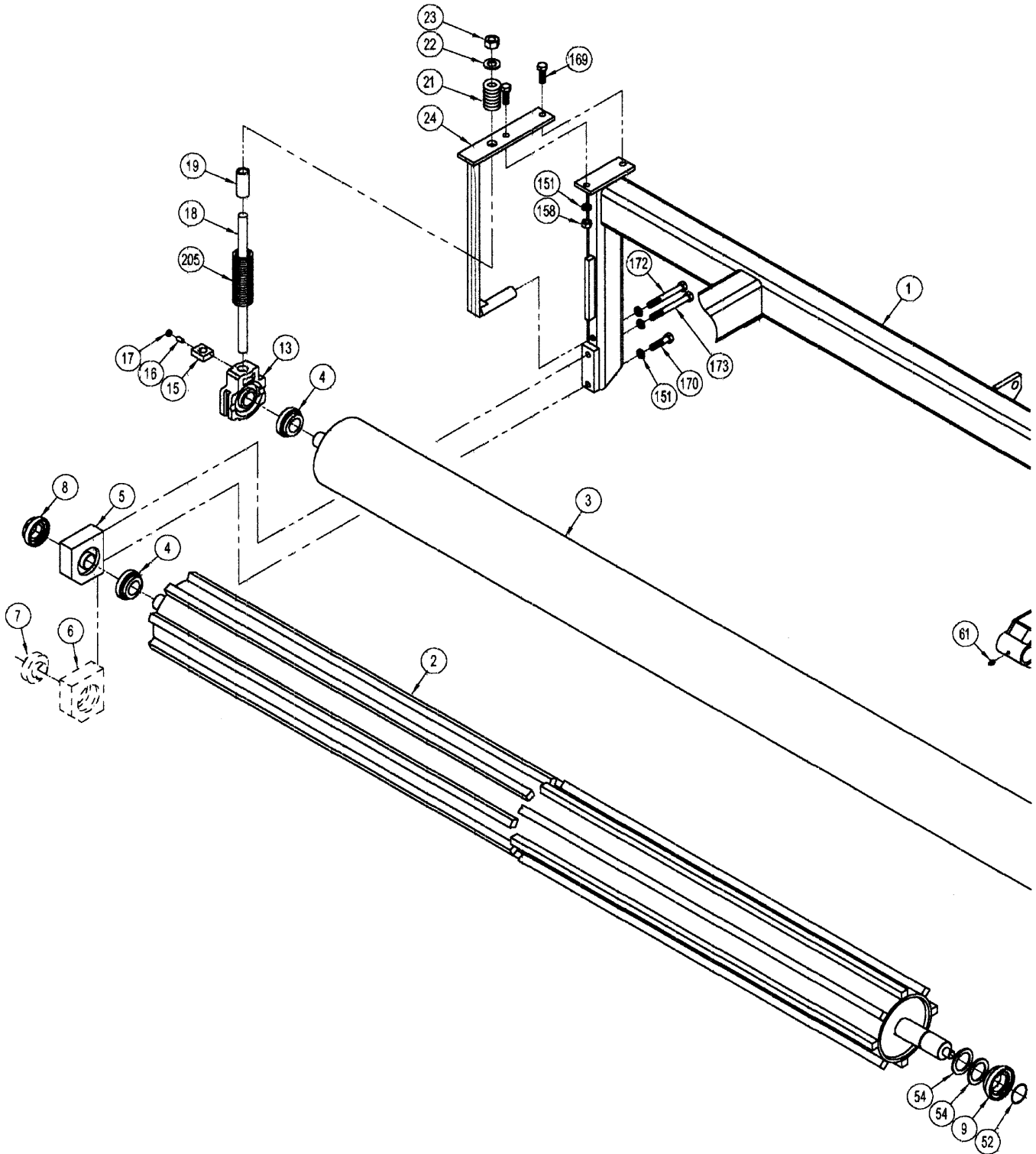


Figure 9L

FRAME & DRIVE ASSEMBLY

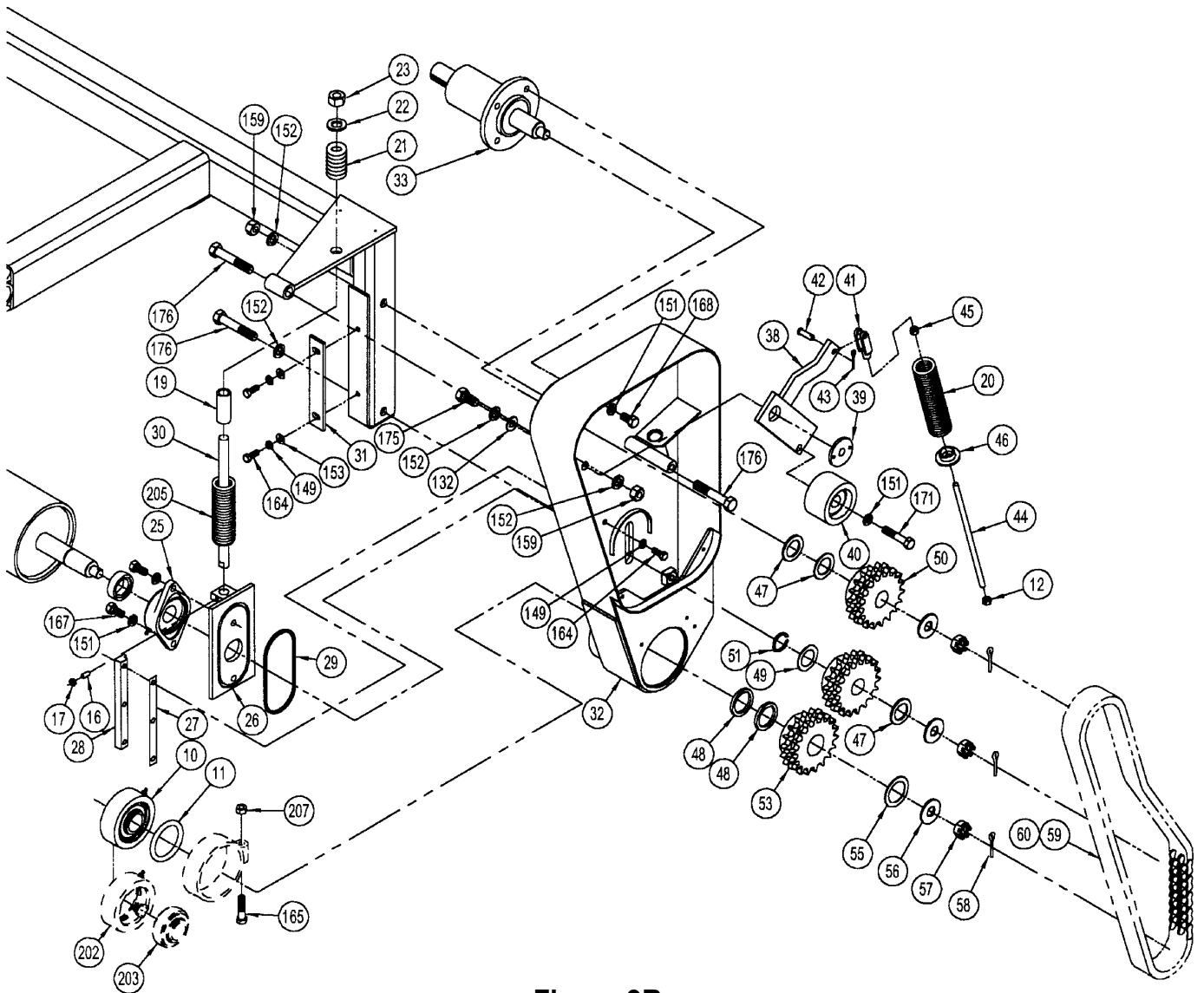


Figure 9R

HYDRAULIC ASSEMBLY

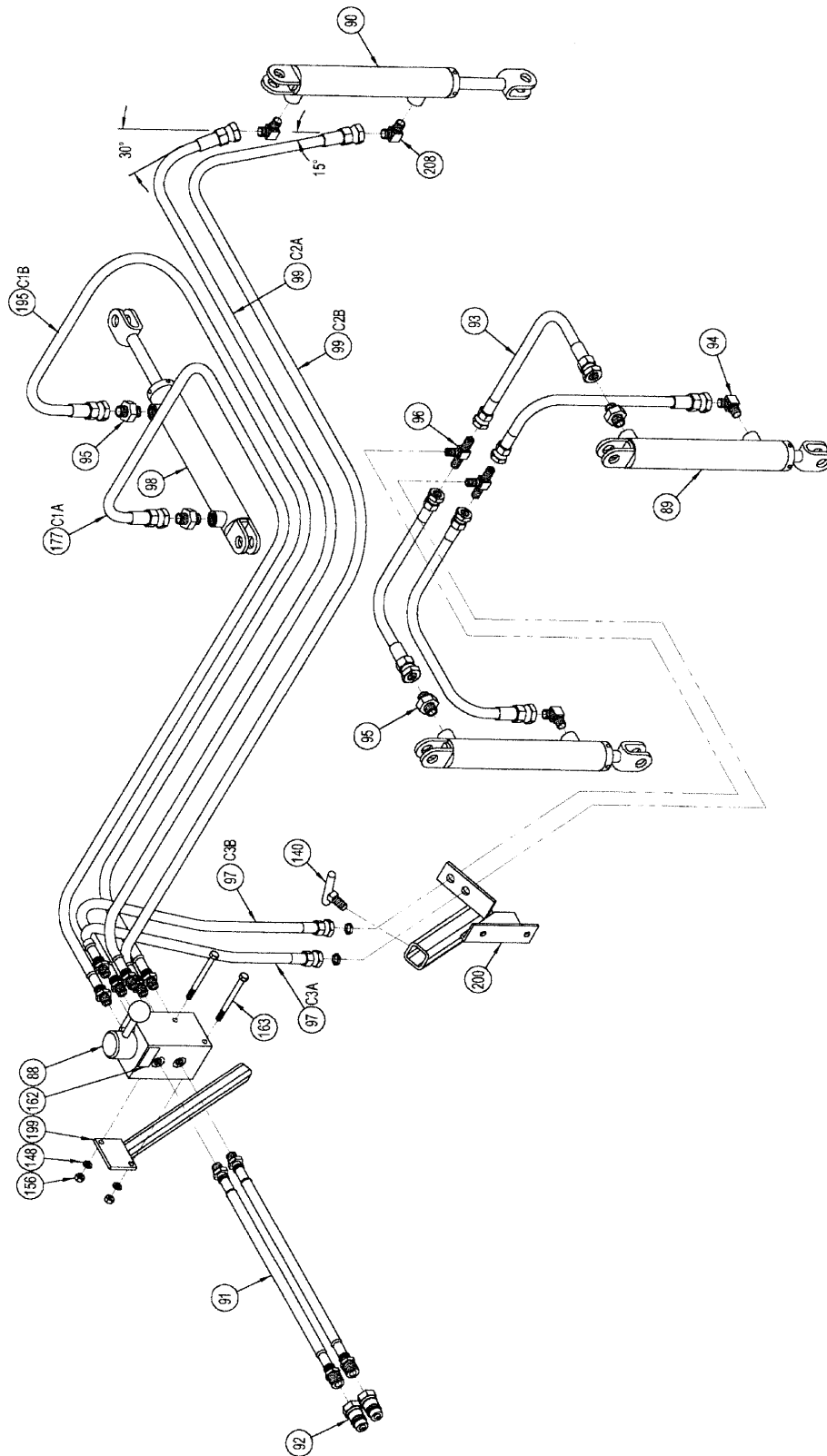


Figure 10

GAUGE WHEEL

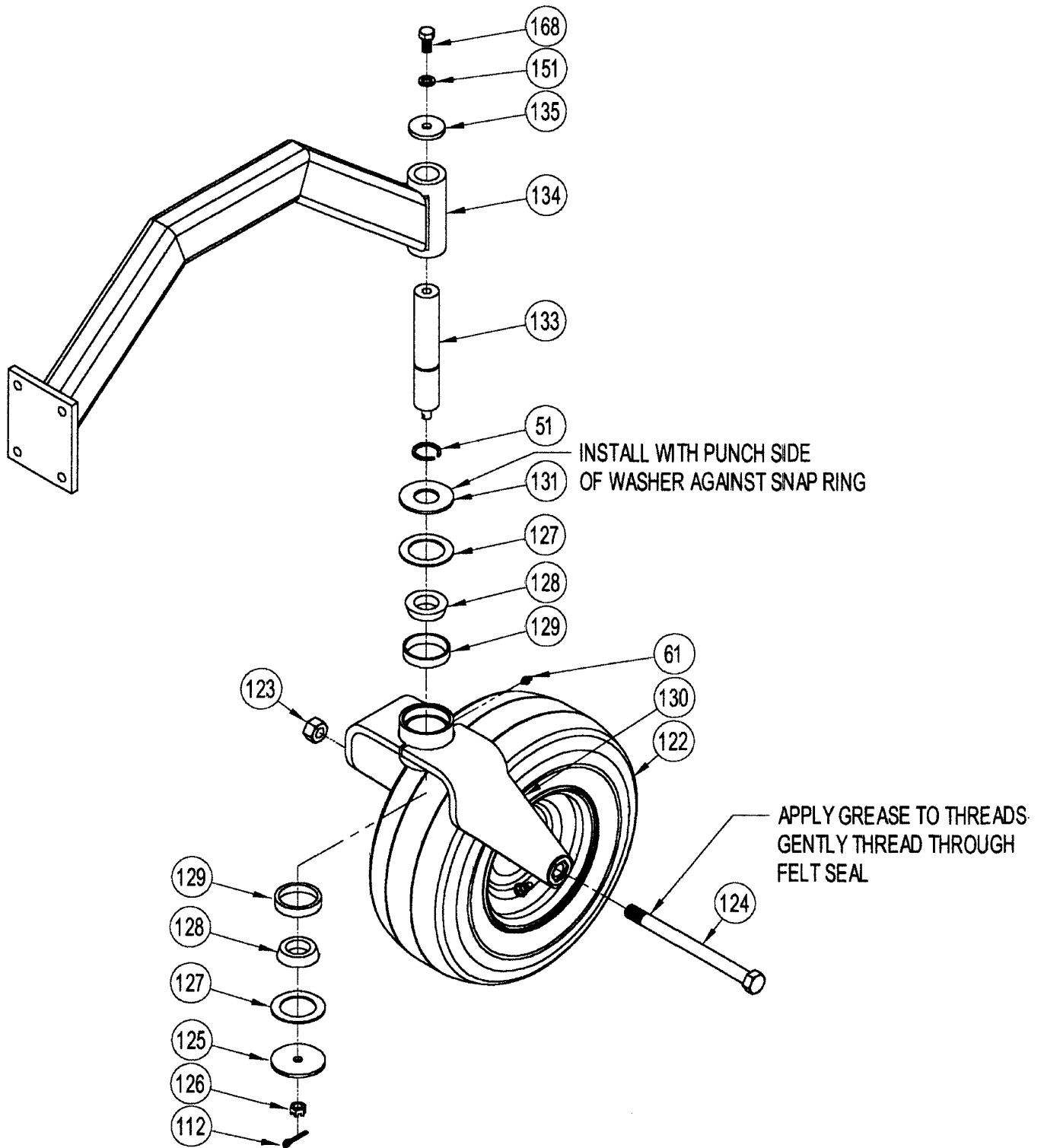
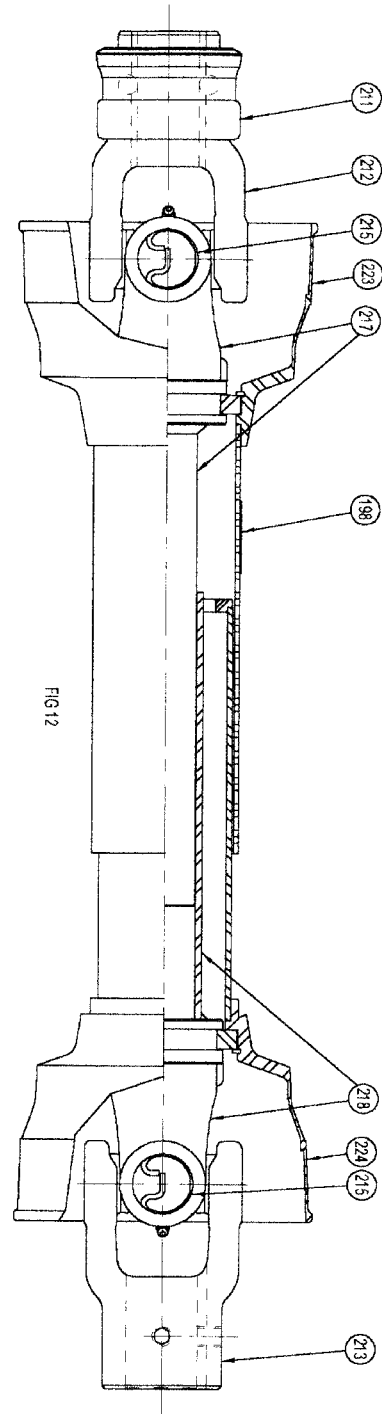
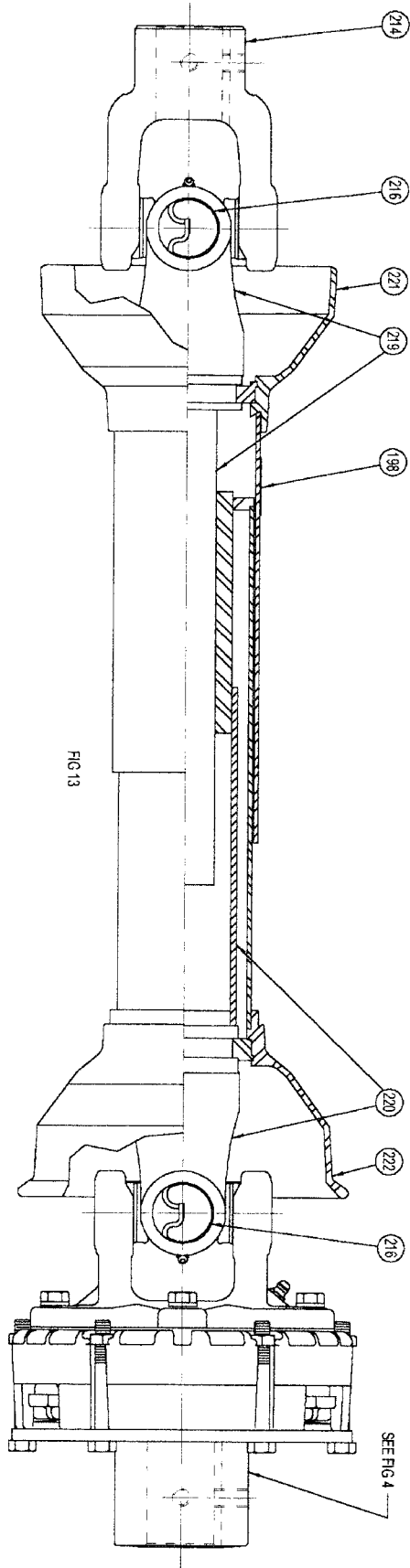


Figure 11

DRIVE LINE



NOTES

PARTS LIST

| ITEM | QTY | PART NO. | DESCRIPTION | ITEM | QTY | PART NO. | DESCRIPTION |
|------|-----|----------|--------------------------------|------|-----|-----------|----------------------------------|
| 1 | 1 | M8202 | MAIN FRAME | 72 | 1 | M8244 | COVER |
| 2 | 1 | M8258 | BAR ROLLER | 73 | 1 | M8241 | LOWER COVER |
| 3 | 1 | M8254 | SMOOTH ROLLER | 74 | 1 | M8272 | COVER TAB |
| 4 | 2 | P015301 | 1-3/8" ECC LOCK COLLAR | 75 | 1 | P500202 | O-RING 3/32" X 4-3/4" |
| 5 | 1 | M6261 | 1-3/8" TAP BASE BEARING | 76 | 1 | P205400 | GEARBOX |
| 6 | 1 | P015200 | TAP BASE BEARING HOUSING | 77 | 3 | M5000-5 | 5/16" X 2" SQ KEY |
| 7 | 1 | P009500 | BEARING INSERT | 78 | 1 | P403250-1 | SIDE PTO CLUTCH HALF |
| 8 | 1 | P015302 | 1-3/8" SET SCREW COLLAR | | | P403250-2 | SIDE PTO GEARBOX HALF |
| 9 | 1 | P015309 | 1-3/4" LOCK COLLAR | 79 | 1 | P403300-1 | FRONT PTO TRACTOR HALF |
| 10 | 1 | M8280 | 1-3/4" CARTRIDGE BEARING | | | P403300-2 | FRONT PTO GEARBOX HALF |
| | | | (See 202 & 203) | 80 | 2 | P108610 | 3/8" X 5/8" SET SCREW |
| 11 | 1 | P500203 | O-RING 3/8" X 2-5/8" | 81 | 2 | P108616 | 3/8" X 1" SET SCREW |
| 12 | 1 | P158006 | 3/8-16 ELASTIC STOP NUT | 82 | 6 | P155400 | 3/8" HEX JAM NUT |
| 13 | 1 | P009700 | 1-3/8" RTU BEARING | 83 | 1 | M6262 | SHIELD |
| 14 | 2 | P620400 | 1/8 NPT X 90 GREASE FITTING | 84 | 1 | P128600 | BAND CLAMP |
| 15 | 1 | M6056 | RTU NUT | 85 | 1 | P128500 | U-BOLT 5/16" ROUND |
| 16 | 2 | P108512 | 5/16-18 X 3/4" SET SCREW | 86 | 1 | M6258 | SHIELD MOUNT |
| 17 | 2 | P155300 | 5/16-18 JAM NUT | 87 | 3 | P620000 | 1/4-28 X 45° GREASE FITTING |
| 18 | 1 | M8248 | ROLLER ADJUSTING SCREW | 88 | 1 | P290700 | MANIFOLD ASSEMBLY |
| 19 | 2 | M6267 | SLEEVE | 89 | 3 | P257000 | HYDRAULIC CYLINDER 2" X 8" |
| 20 | 3 | P601200 | SPRING 9" | 90 | 1 | P256000 | HYDRAULIC CYLINDER 1-1/2" X 8" |
| 21 | 8 | P400021 | SPRING 2-5/16" | 91 | 2 | P246200 | 1/4" HOSE X 40" 8MP-6MB |
| 22 | 2 | P850812 | 3/4" SAE WASHER | 92 | 2 | P272600 | QUICK COUPLER |
| 23 | 2 | P157600 | 3/4" LOCK NUT | 93 | 4 | P246100 | 1/4" HOSE 27" 6FJX-6FJX |
| 24 | 1 | M8224 | BEARING SUPPORT | 94 | 4 | P261300 | 90° ELBOW 1/2NPT-6JIC |
| 25 | 1 | P015000 | 1-3/8" FLANGE BEARING | 95 | 4 | P276105 | ADAPTER 1/2NPT-6JIC |
| 26 | 2 | P956400 | SLIDE PLATE | 96 | 2 | P265400 | BULKHEAD TEE-6 |
| 27 | 2 | M6260 | SHIM | 97 | 2 | P245023 | 1/4" HOSE X 26" 6FJX-6MB |
| 28 | 1 | M6232 | SLIDE BAR | 98 | 1 | M8259 | GEARBOX SHIELD |
| 29 | 1 | P500100 | QUAD RING | 99 | 2 | P246392 | 1/4" HOSE X 60" 6FJX-6MB |
| 30 | 1 | M8247 | ROLLER ADJUSTING SCREW | 100 | 1 | M8229 | SCARIFIER MOUNT RIGHT |
| 31 | 1 | M6231 | SLIDE BAR | 101 | 1 | M8230 | SCARIFIER MOUNT LEFT |
| 32 | 1 | M8232 | CHAIN CASE | 102 | 1 | M8225 | LEG STAND |
| 33 | 1 | M6256 | BEARING HOUSING ASSEMBLY | 103 | 10 | M5017 | PIN 3/4" X 1-1/2" |
| 34 | 1 | M6227 | BEARING HOUSING | 104 | 9 | P622610 | 3/4" RUE RING COTTER |
| 35 | 1 | P635005 | DRIVE SHAFT | 105 | 2 | P627600 | HAIR PIN CLIP |
| 36 | 2 | P009204 | BALL BEARING | 106 | 1 | M5003 | PIN 3/4" X 3-3/4" |
| 37 | 1 | P128393 | U-BOLT 3/8" X 3" X 4" | 107 | 1 | P126250 | CATEGORY I-II BUSHING |
| 38 | 1 | M8223 | TENSION ARM | 108 | 2 | M8249 | SPACER |
| 39 | 1 | M6226 | TENSIONER .1" FLAT WASHER | 109 | 1 | M8263 | 5/8" PIN |
| 40 | 1 | P477005 | IDLER | 110 | 1 | P604500 | COMPRESSION SPRING |
| 41 | 1 | P900100 | YOKE | 111 | 1 | P852001 | 16mm WASHER |
| 42 | 1 | P118700 | PIN | 112 | 3 | P116204 | 1/8" X 1" COTTER PIN |
| 43 | 1 | P116003 | 3/32" X 3/4" COTTER PIN | 113 | 1 | M8261 | SCARIFIER BAR |
| 44 | 1 | M8288 | 3/8" X 11-1/4" THREADED ROD | 114 | 1 | P115406 | 1/4" X 1-1/4" FILLISTER HD SCREW |
| 45 | 1 | P150601 | 3/8-24 HEX NUT | 115 | 8 | P104714 | 7/16" X 3-1/2" CARRIAGE BOLT |
| 46 | 1 | M6021 | SPRING WASHER | 116 | 8 | P700200 | TINE BRACKET |
| 47 | 3 | P855122 | 10 GA X 1-3/8" MACHINE BUSHING | 117 | 8 | P701000 | S-TINE 32mm X 10mm X 450mm |
| 48 | 2 | M16056 | .218 X 1-3/4" X 2-1/4" SPACER | 118 | 8 | P700400 | 3/8" X 1-1/4" SHOVEL BOLT |
| 49 | 1 | P855522 | 18 GA X 1-3/8" MACHINE BUSHING | 119 | 8 | P700300 | TINE SHOVEL |
| 50 | 2 | P661800 | 18 TOOTH SPROCKET 1-3/8" | 120 | 2 | M8456 | CATEGORY I-II PIN |
| 51 | 4 | P952200 | 1-3/8" SNAP RING | 121 | 2 | P126207 | 7/16" LYNCH PIN |
| 52 | 1 | P500175 | O-RING 1/16" X 1-3/4" | 122 | 2 | P756150 | WHEEL AND TIRE |
| 53 | 1 | P661801 | 18 TOOTH SPROCKET 1-3/4" | 123 | 2 | P157120 | 3/4" TOP LOCK NUT |
| 54 | 2 | P855128 | 10 GA X 1-3/4" MACHINE BUSHING | 124 | 2 | P103138 | CASTER BOLT 9-1/2" |
| 55 | 1 | P855528 | 18 GA X 1-3/4" MACHINE BUSHING | 125 | 2 | M6223 | WASHER |
| 56 | 3 | P850612 | 3/4" FLAT WASHER | 126 | 2 | P855508 | 1/2-13 SLOTTED HEX NUT |
| 57 | 3 | P158000 | 3/4-16 SLOTTED HEX NUT | 127 | 4 | P852200 | FELT WASHER |
| 58 | 3 | P116256 | 5/32" X 1-1/2" COTTER PIN | 128 | 4 | P760300 | BEARING CONE |
| 59 | 1 | M8267 | 60-2 ROLLER CHAIN 87 PITCH | 129 | 4 | P760500 | BEARING CUP |
| 60 | 1 | P630202 | 60-2 CONNECTOR | 130 | 2 | M6817 | CASTER FORK |
| 61 | 5 | P620200 | 1/4-28 STR GREASE FITTING | 131 | 2 | P850620 | 1-1/4" FLAT WASHER |
| 62 | 1 | M8207 | PIVOT FRAME | 132 | 1 | P850109 | 9/16" FLAT WASHER |
| 63 | 2 | M6218 | SLEEVE | 133 | 2 | M8228 | CASTER SHAFT |
| 64 | 2 | P851616 | 1" HEAVY WASHER | 134 | 2 | M8227 | CASTER ARM |
| 65 | 2 | P101620 | 1-14 X 5" HEX BOLT | 135 | 2 | M5009-6 | 3/16" X 1/2" X 2" WASHER |
| 66 | 2 | P156401 | 1-14 STOP NUT | 136 | 1 | M8231 | CROSS FRAME |
| 67 | 1 | M8250 | PIVOT BUSHING | 137 | 1 | M8246 | LIFT LINK |
| 68 | 1 | P101622 | 1-14 X 5-1/2" HEX BOLT | 138 | 4 | P128000 | 1/2" X 3" X 3-1/4" U-BOLT |
| 69 | 1 | M8275 | BOLT LOCK | 139 | 4 | P128150 | 1/2" X 4" X 5" U-BOLT |
| 70 | 1 | M8209 | MAST FRAME | 140 | 1 | M6448 | T-HANDLE |
| 71 | 1 | M8274 | SEAL | 141 | 1 | M6266 | PTO SUPPORT CHAIN |

PARTS LIST

| ITEM | QTY | PART NO. | DESCRIPTION | | | | |
|------|-----|----------|--------------------------------|-----|---|---------|--------------------------|
| 142 | 5 | P500300 | 1/4" SEAL WASHER | 215 | 1 | P400002 | 14R REPAIR KIT |
| 143 | 1 | M5009-5 | 1/2" FLAT WASHER | 216 | 2 | P400001 | 35R REPAIR KIT |
| 144 | 4 | P110901 | 1/4" X 3/4" BUTTON HEAD SCREW | 217 | 1 | P403302 | YOKE & SHAFT |
| 145 | 2 | P100807 | 1/2" X 1-3/4" HEX BOLT | 218 | 1 | P403301 | YOKE & TUBE |
| 146 | 1 | P278001 | BREATHER | 219 | 1 | P403201 | YOKE & SHAFT |
| 147 | 2 | P851104 | 1/4" LOCK WASHER | 220 | 1 | P403204 | YOKE & TUBE |
| 148 | 8 | P851105 | 5/16" LOCK WASHER | 221 | 1 | P403202 | OUTER GUARD |
| 149 | 8 | P851106 | 3/8" LOCK WASHER | 222 | 1 | P403203 | INNER GUARD |
| 150 | 8 | P851107 | 7/16" LOCK WASHER | 223 | 1 | P403303 | OUTER GUARD |
| 151 | 32 | P851108 | 1/2" LOCK WASHER | 224 | 1 | P403304 | INNER GUARD |
| 152 | 4 | P851110 | 5/8" LOCK WASHER | 225 | 1 | M5503 | O-RING SPACER |
| 153 | 10 | P850106 | 3/8" FLAT WASHER | 226 | 1 | P500138 | O-RING 1/16" X 1-3/8" ID |
| 155 | 10 | P150500 | 5/16" HEX NUT | | | | |
| 156 | 14 | P150600 | 3/8" HEX NUT | | | | |
| 157 | 8 | P150700 | 7/16" HEX NUT | | | | |
| 158 | 18 | P150800 | 1/2" HEX NUT | | | | |
| 159 | 2 | P151000 | 5/8" HEX NUT | | | | |
| 160 | 1 | P100402 | 1/4" X 1/2" HEX BOLT | | | | |
| 161 | 2 | P100406 | 1/4" X 1-1/2" HEX BOLT | | | | |
| 162 | 1 | P975506 | VALVE DECAL | | | | |
| 163 | 2 | P100513 | 5/16" X 3-1/4" HEX BOLT | | | | |
| 164 | 5 | P100604 | 3/8" X 1" HEX BOLT | | | | |
| 165 | 1 | P102808 | 1/2" X 2" FINE THD HEX BOLT | | | | |
| 166 | 4 | P100612 | 3/8" X 3" HEX BOLT | | | | |
| 167 | 2 | P102804 | 1/2" X 1" FINE THREAD HEX BOLT | | | | |
| 168 | 7 | P100804 | 1/2" X 1" HEX BOLT | | | | |
| 169 | 4 | P100806 | 1/2" X 1-1/2" HEX BOLT | | | | |
| 170 | 1 | P100808 | 1/2" X 2" HEX BOLT | | | | |
| 171 | 1 | P100810 | 1/2" X 2-1/2" HEX BOLT | | | | |
| 172 | 1 | P100816 | 1/2" X 4" HEX BOLT | | | | |
| 173 | 1 | P100818 | 1/2" X 4-1/2" HEX BOLT | | | | |
| 174 | 2 | P100828 | 1/2" X 7" HEX BOLT | | | | |
| 175 | 1 | P101005 | 5/8" X 1-1/4" HEX BOLT | | | | |
| 176 | 3 | P101014 | 5/8" X 3-1/2" HEX BOLT | | | | |
| 177 | 1 | P246240 | 1/4 HOSE X 40" 6FJX-6MB | | | | |
| 178 | 1 | P975600 | LUBRICATION DECAL | | | | |
| 179 | 1 | P403251 | CLUTCH ASSEMBLY | | | | |
| 180 | 1 | P403252 | CLUTCH ASSY LESS HUB | | | | |
| 181 | 1 | P400752 | SEPARATOR DISC | | | | |
| 182 | 2 | P400755 | FRICTION DISC | | | | |
| 183 | 1 | P400753 | PRESSURE PLATE | | | | |
| 184 | 1 | P400757 | SPRING 15000 | | | | |
| 185 | 1 | P100754 | COMPRESSION PLATE | | | | |
| 186 | 1 | P403258 | YOKE AND HUB | | | | |
| 187 | 1 | P970100 | OPERATION WARNING DECAL | | | | |
| 188 | 2 | P970200 | ROTATE WARNING DECAL | | | | |
| 189 | 2 | P970300 | DRIVE WARNING DECAL | | | | |
| 190 | 1 | P970301 | DRIVE WARNING DECAL(SMALL) | | | | |
| 191 | 2 | P481010 | SPACER | | | | |
| 192 | 2 | P500302 | 1/4" RUBBER FACE WASHER | | | | |
| 193 | 1 | P975912 | RAKE DECAL PRO 8 | | | | |
| 194 | 1 | P970800 | HARLEY LOGO DECAL (SMALL) | | | | |
| 195 | 1 | P246248 | 1/4" HOSE X 48" 6FJX-6MB | | | | |
| 196 | 6 | P100510 | 5/16" X 2-1/2" HEX BOLT | | | | |
| 197 | 4 | P100504 | 5/16" X 1" HEX BOLT | | | | |
| 198 | 2 | P970400 | SAFETY WARNING DECAL | | | | |
| 199 | 1 | M8285 | VALVE MOUNT | | | | |
| 200 | 1 | M8286 | VALVE BASE | | | | |
| 201 | 1 | P100603 | 3/8" X 3/4" HEX BOLT | | | | |
| 202 | 1 | P015215 | CYLINDRICAL BEARING HOUSING | | | | |
| 203 | 1 | P012200 | 1-3/4" BEARING INSERT | | | | |
| 204 | 1 | P158003 | 1/4" LOCK NUT | | | | |
| 205 | 2 | P603500 | 5-1/2" SPRING | | | | |
| 206 | 1 | M6301 | SLEEVE | | | | |
| 207 | 1 | P155852 | 1/2-20 LOCK NUT | | | | |
| 208 | 1 | P261350 | 9° ELBOW 6 OR X 6 MJ90 | | | | |
| 209 | 1 | P108612 | 3/8" X 3/4" SET SCREW | | | | |
| 210 | 1 | P108620 | 3/8" X 1-1/4" SET SCREW | | | | |
| 211 | 1 | P400031 | LOCK YOKE REPAIR KIT | | | | |
| 212 | 1 | P400803 | LOCK YOKE ASSY | | | | |
| 213 | 1 | P400036 | 1-3/8" RD END YOKE | | | | |
| 214 | 1 | P400511 | END YOKE | | | | |

Harley

by

Glenmac^{INC}

Glenmac Inc

1805 2nd Avenue SW
Jamestown, ND 58401

701-252-9300 tel
701-252-1978 fax
701-251-9259 parts fax

SN: P82C001

PN-P971400 (04/2002)