

Brush Cutter, Ground Shark, Standard Duty

Brush Cutter, Ground Shark, Standard Duty

15-25 GPM Brush Cutters

15-25 GPM 60" Standard Duty Brush Cutter 1
15-25 GPM 60" Standard Duty Brush Cutter Hydraulics 3
15-25 GPM 72" Standard Duty Brush Cutter 5
15-25 GPM 72" Standard Duty Brush Cutter Hydraulics 7
15-25 GPM 78" Standard Duty Brush Cutter 9
15-25 GPM 78" Standard Duty Brush Cutter Hydraulics 11

26-32 GPM Brush Cutters

26-32 GPM 72" Standard Duty Brush Cutter 13
26-32 GPM 78" Standard Duty Brush Cutter 15
26-32 GPM Standard Duty Brush Cutter Hydraulics 17

33-40 GPM Brush Cutters

33-40 GPM 72" Standard Duty Brush Cutter 19
33-40 GPM 78" Standard Duty Brush Cutter 21
33-40 GPM Standard Duty Brush Cutter Hydraulics 23

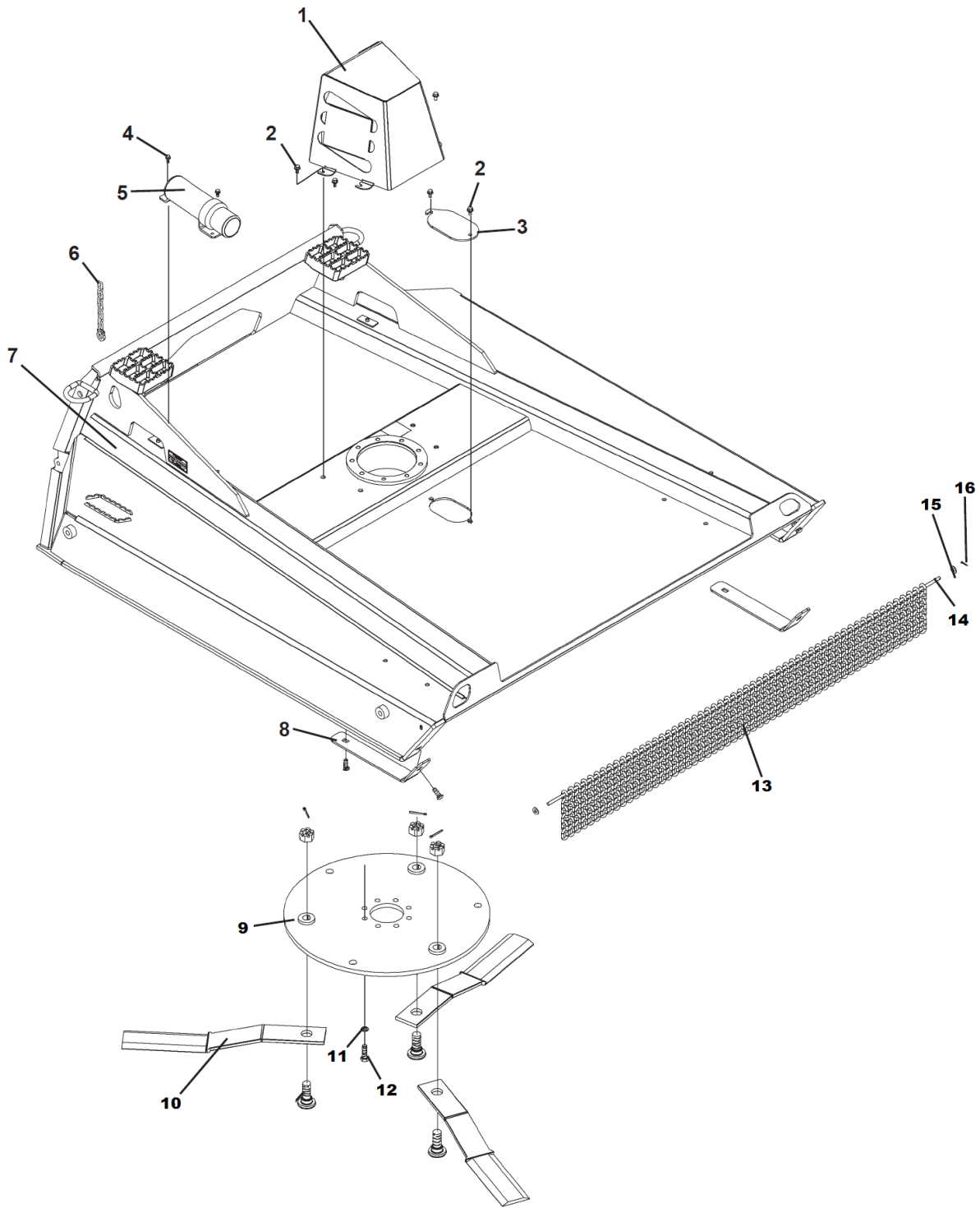
Options & Kits

15-32 GPM Pressure Gauge Assembly 27
33-40 GPM Pressure Gauge Assembly 29
118330 Replacement Blade Kit - 60" Cutter 31
118331 Replacement Blade Kit - 72" Cutter 33
118332 Replacement Blade Kit - 78" Cutter 35
117810 Replacement Skid Shoe Kit 37
118333 Dual Wheel Assembly 39
119419 Hose Extension Kit 41

Replacement Decals

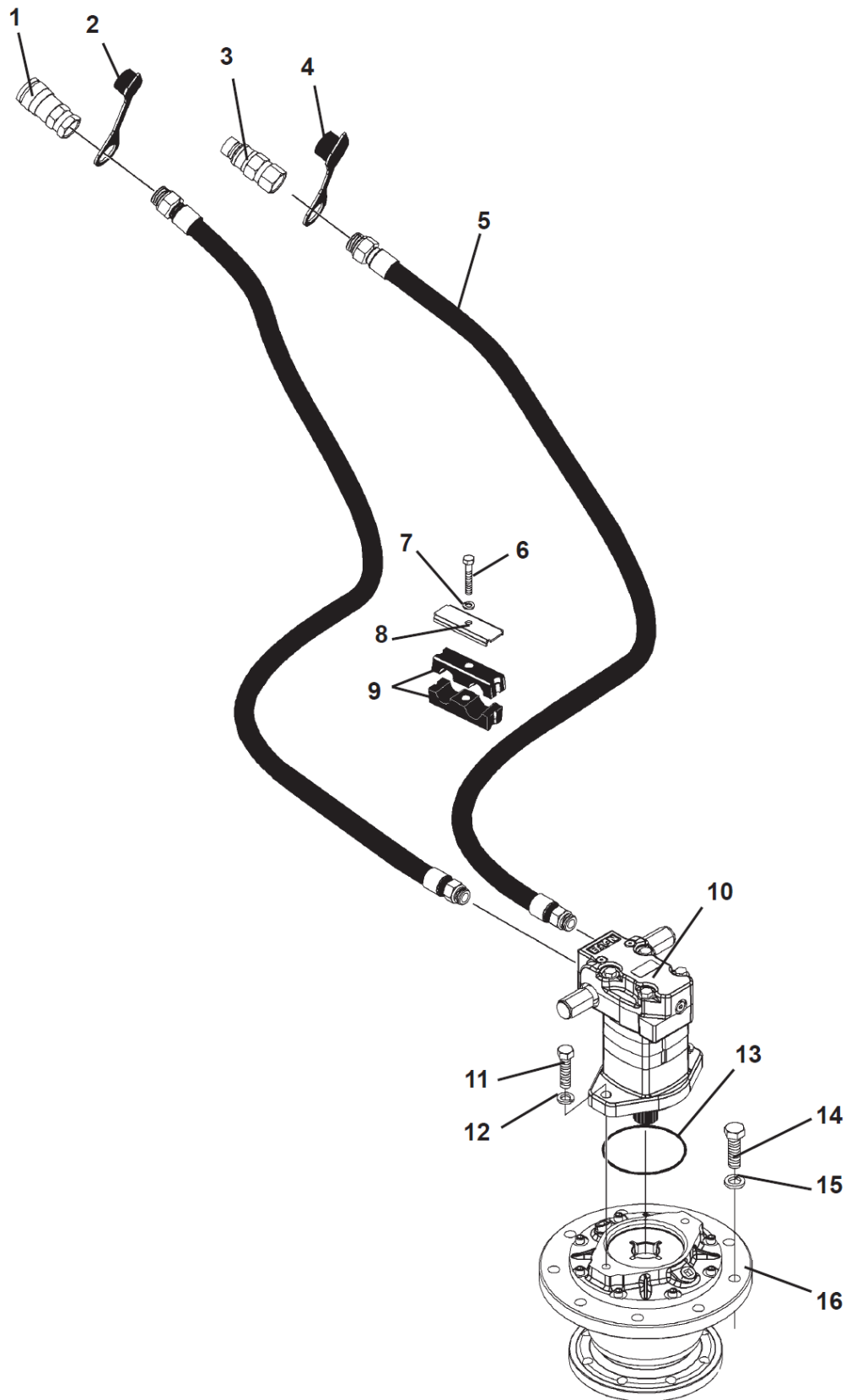
Verbiage Decals - PM834 43
Non-Verbiage Decals - PM834 45

15-25 GPM Brush Cutters



Item	Qty	Part No.	Name	Additional Info
1	1	118930	Replacement Cover with Decals	
2	6	1953	.38" UNC X .75" Flange Head Capscrew	
3	1	15321	Blade Access Cover	
4	2	1930	.31" UNC X .75" Flange Head Capscrew	
5	1	25453	Manual Storage Tube	
6	1	18169	Lift Limiting Chain	
6	2	89968	Shackle	
7	1	117769	60" Cutter	
8	1	117810	Replacement Skid Shoe Kit	
9	1	117719	Blade Carrier	
10	1	118330	Replacement 60" Blade Kit	
11	8	10200	.62" Nord-Lock Washer	
12	8	1895	.62" UNC X 2.00" Hex Capscrew - GR8	
13	46	15326	Front Chain	
14	1	17902	60" Front Chain Retainer	
15	1	1514	.38" Flat Washer	
16	1	1611	Cotter Pin	

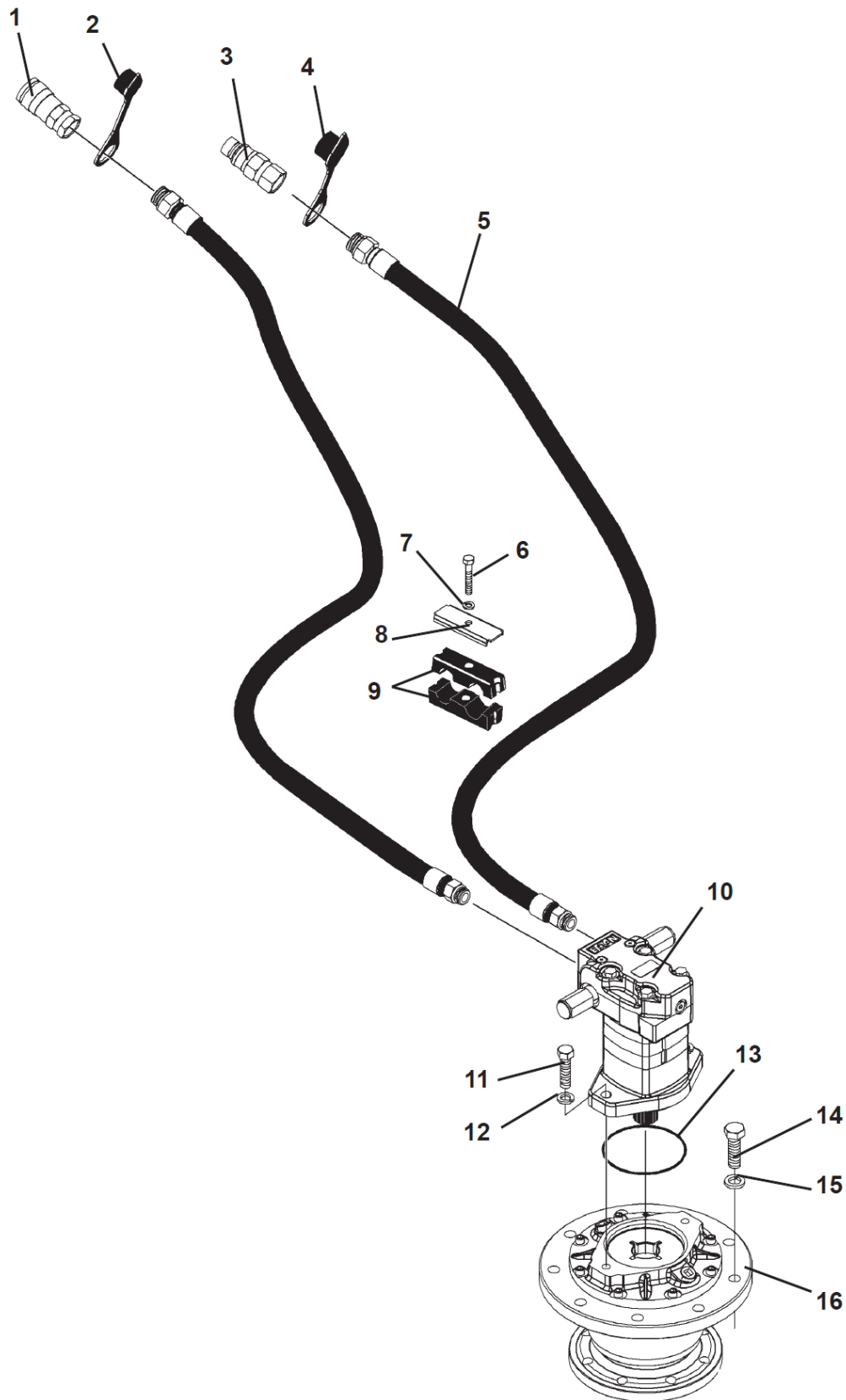
15-25 GPM Brush Cutters



Item	Qty	Part No.	Name	Additional Info
1	-	VARIES	Item Varies Per Prime Mover	
1	1	22518	Female Quick Coupler .50" Body 12FBo	
1	1	84921	Female Quick Coupler .62" Body 12FBo	
1	1	22520	Female Quick Coupler .75" Body 12FBo	
2	-	VARIES	Item Varies Per Prime Mover	
2	1	17922	Dust Cap (.50" Body Coupler)	
2	1	114892	Dust Cap (.62" Body Coupler)	
2	1	113865	Dust Cap (.75" Body Coupler)	
3	-	VARIES	Item Varies Per Prime Mover	
3	1	22519	Male Quick Coupler .50" Body 12FBo	
3	1	84922	Male Quick Coupler .62" Body 12FBo	
3	1	22521	Male Quick Coupler .75" Body 12FBo	
4	-	VARIES	Item Varies Per Prime Mover	
4	1	17921	Dust Cap (.50" Body Coupler)	
4	1	114891	Dust Cap (.62" Body Coupler)	
4	1	113864	Dust Cap (.75" Body Coupler)	
5	2	38126	Hose .62" X 97" 10MBo-12MBo	
6	1	1026	.31" UNC X 2.00" Hex Capscrew	
7	1	1502	.31" Lock Washer	
8	1	22315	Hose Clamp Plate	
9	1	22316	Hose Clamp Cushion	
10	1	117733	Hydraulic Motor 5.5 CID	
10.1	2	46234	Replacement Relief Valve Seal Kit	
10.1	2	46233	Replacement Relief Valve	
10.1	1	117879	Replacement Motor Seal Kit	
11	2	1781	.50" UNC X 2.00" Hex Capscrew - GR8	
12	2	1505	.50" Lock Washer	
13	1	45125	O-Ring	
14	9	1895	.62" UNC X 2.00" Hex Capscrew - GR8	
15	9	1506	.62" Lock Washer	
16	1	117610	Auburn Bearing Housing	

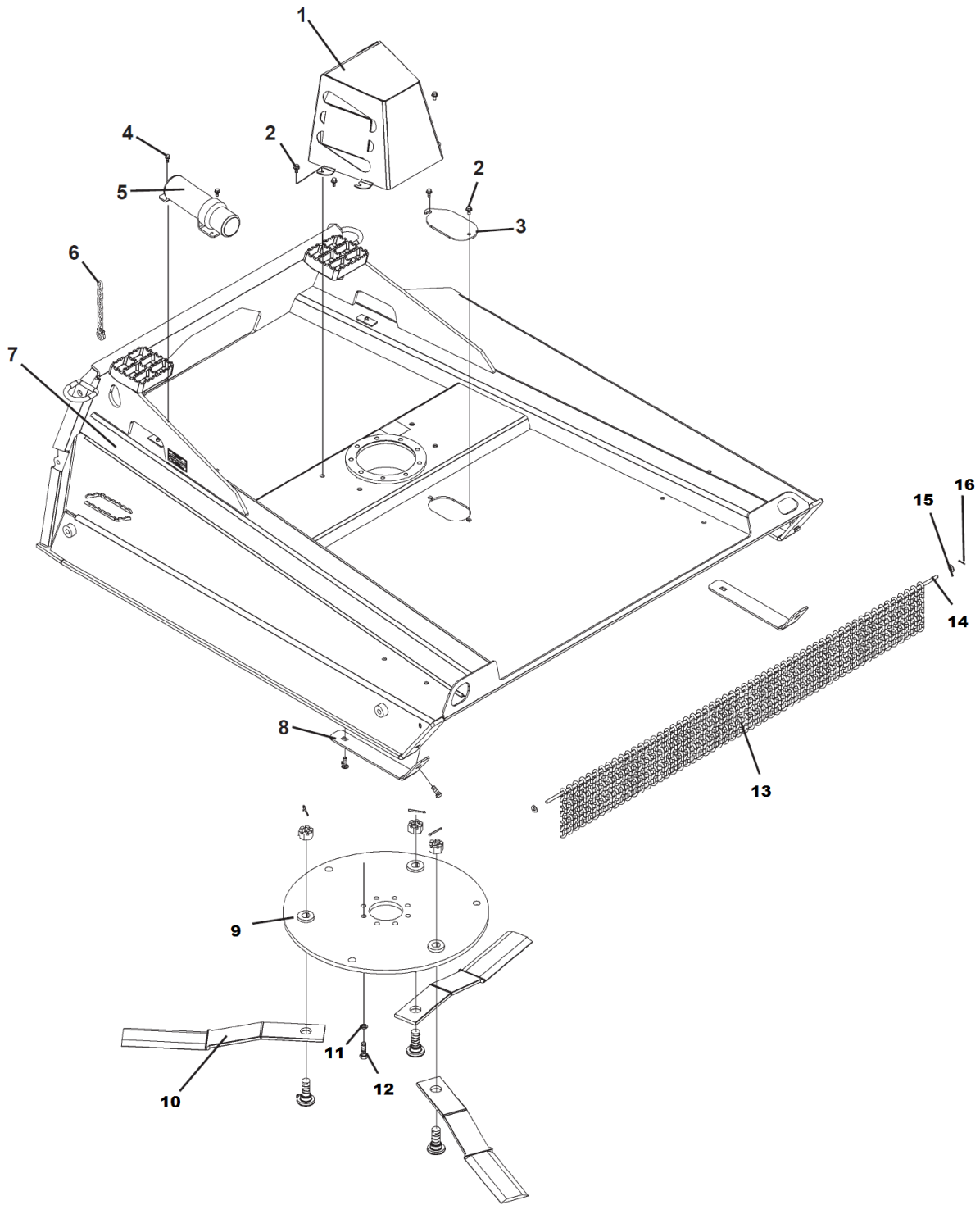
Item	Qty	Part No.	Name	Additional Info
1	1	118930	Replacement Cover with Decals	
2	6	1953	.38" UNC X .75" Flange Head Capscrew	
3	1	15321	Blade Access Cover	
4	2	1930	.31" UNC X .75" Flange Head Capscrew	
5	1	25453	Manual Storage Tube	
6	1	18169	Lift Limiting Chain	
6	2	89968	Shackle	
7	1	117720	72" Cutter	
8	1	117810	Replacement Skid Shoe Kit	
9	1	117719	Blade Carrier	
10	1	118331	Replacement 72" Blade Kit	
11	8	10200	.62" Nord-Lock Washer	
12	8	1895	.62" UNC X 2.00" Hex Capscrew - GR8	
13	56	15326	Front Chain	
14	1	17348	72" Front Chain Retainer	
15	1	1514	.38" Flat Washer	
16	1	1611	Cotter Pin	

15-25 GPM Brush Cutters



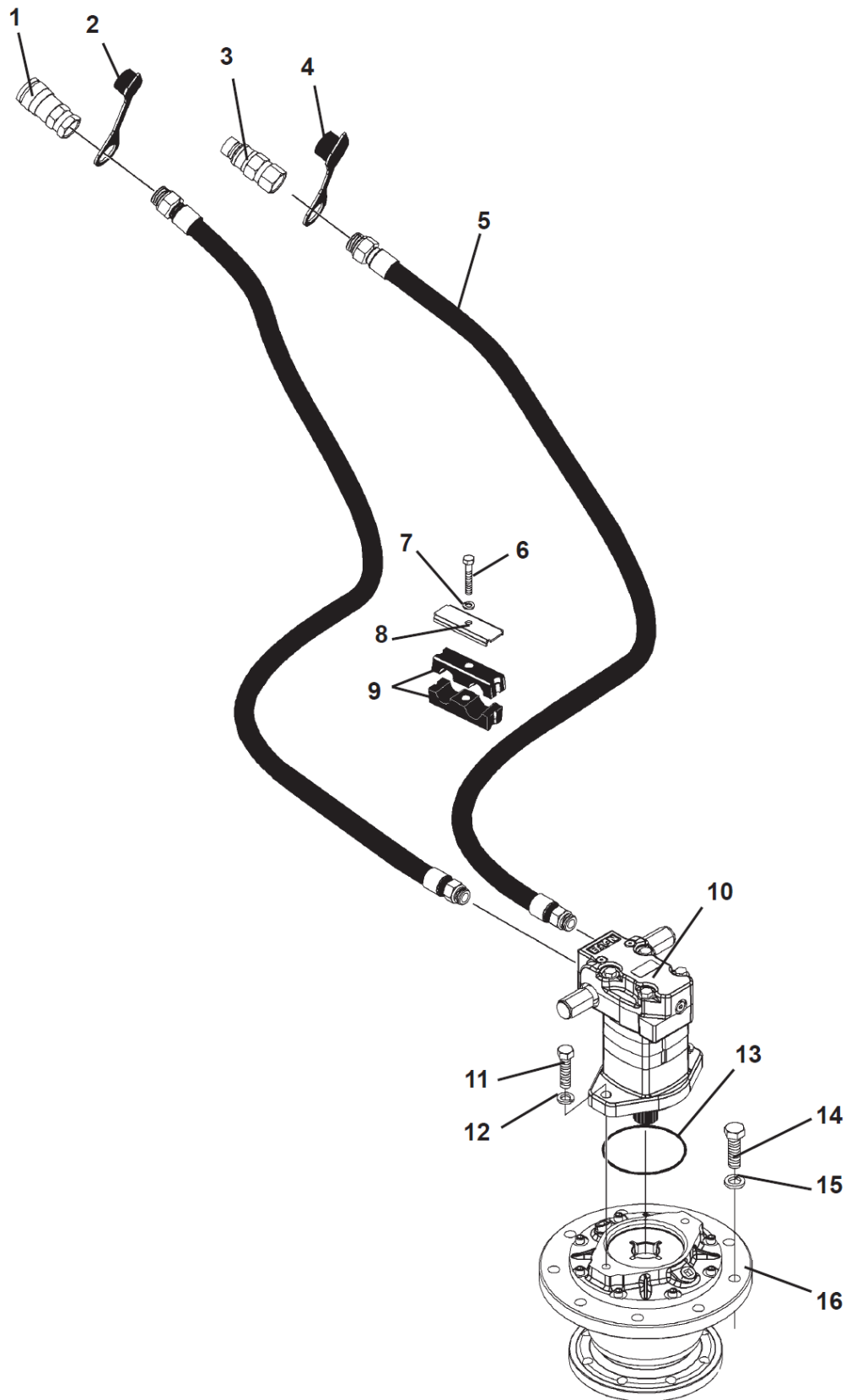
Item	Qty	Part No.	Name	Additional Info
1	-	VARIES	Item Varies Per Prime Mover.	
1	1	22518	Female Quick Coupler .50" Body 12FBo	
1	1	84921	Female Quick Coupler .62" Body 12FBo	
1	1	22520	Female Quick Coupler .75" Body 12FBo	
2	-	VARIES	Item Varies Per Prime Mover.	
2	1	17922	Dust Cap (.50" Body Coupler)	
2	1	114892	Dust Cap (.62" Body Coupler)	
2	1	113865	Dust Cap (.75" Body Coupler)	
3	-	VARIES	Item Varies Per Prime Mover.	
3	1	22519	Male Quick Coupler .50" Body 12FBo	
3	1	84922	Male Quick Coupler .62" Body 12FBo	
3	1	22521	Male Quick Coupler .75" Body 12FBo	
4	-	VARIES	Item Varies Per Prime Mover.	
4	1	17921	Dust Cap (.50" Body Coupler)	
4	1	114891	Dust Cap (.62" Body Coupler)	
4	1	113864	Dust Cap (.75" Body Coupler)	
5	2	38126	Hose .62" X 97" 10MBo-12MBo	
6	1	1026	.31" UNC X 2.00" Hex Capscrew	
7	1	1502	.31" Lock Washer	
8	1	22315	Hose Clamp Plate	
9	1	22316	Hose Clamp Cushion	
10	1	117657	Hydraulic Motor 6.2 CID	
10.1	2	46234	Replacement Relief Valve Seal Kit	
10.1	2	46233	Replacement Relief Valve	
10.1	1	117879	Replacement Motor Seal Kit	
11	2	1781	.50" UNC X 2.00" Hex Capscrew - GR8	
12	2	1505	.50" Lock Washer	
13	1	45125	O-Ring	
14	9	1895	.62" UNC X 2.00" Hex Capscrew - GR8	
15	9	1506	.62" Lock Washer	
16	1	117610	Auburn Bearing Housing	

15-25 GPM Brush Cutters



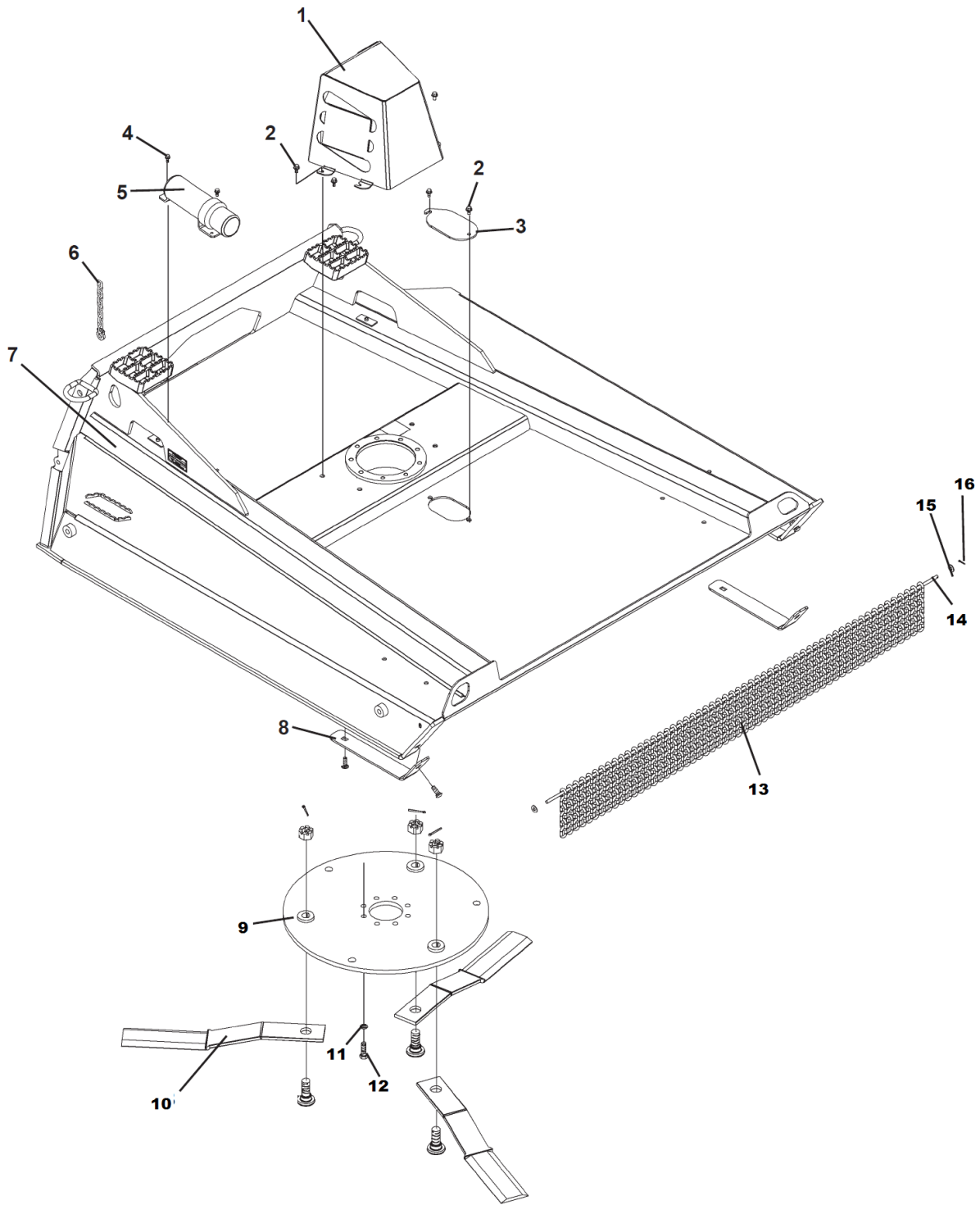
Item	Qty	Part No.	Name	Additional Info
1	1	118930	Replacement Cover with Decals	
2	6	1953	.38" UNC X .75" Flange Head Capscrew	
3	1	15321	Blade Access Cover	
4	2	1930	.31" UNC X .75" Flange Head Capscrew	
5	1	25453	Manual Storage Tube	
6	1	18169	Lift Limiting Chain	
6	2	89968	Shackle	
7	1	117580	78" Cutter	
8	1	117810	Replacement Skid Shoe Kit	
9	1	117719	Blade Carrier	
10	1	118332	Replacement 78" Blade Kit	
11	8	10200	.62" Nord-Lock Washer	
12	8	1895	.62" UNC X 2.00" Hex Capscrew - GR8	
13	60	15326	Front Chain	
14	1	106342	78" Front Chain Retainer	
15	1	1514	.38" Flat Washer	
16	1	1611	Cotter Pin	

15-25 GPM Brush Cutters



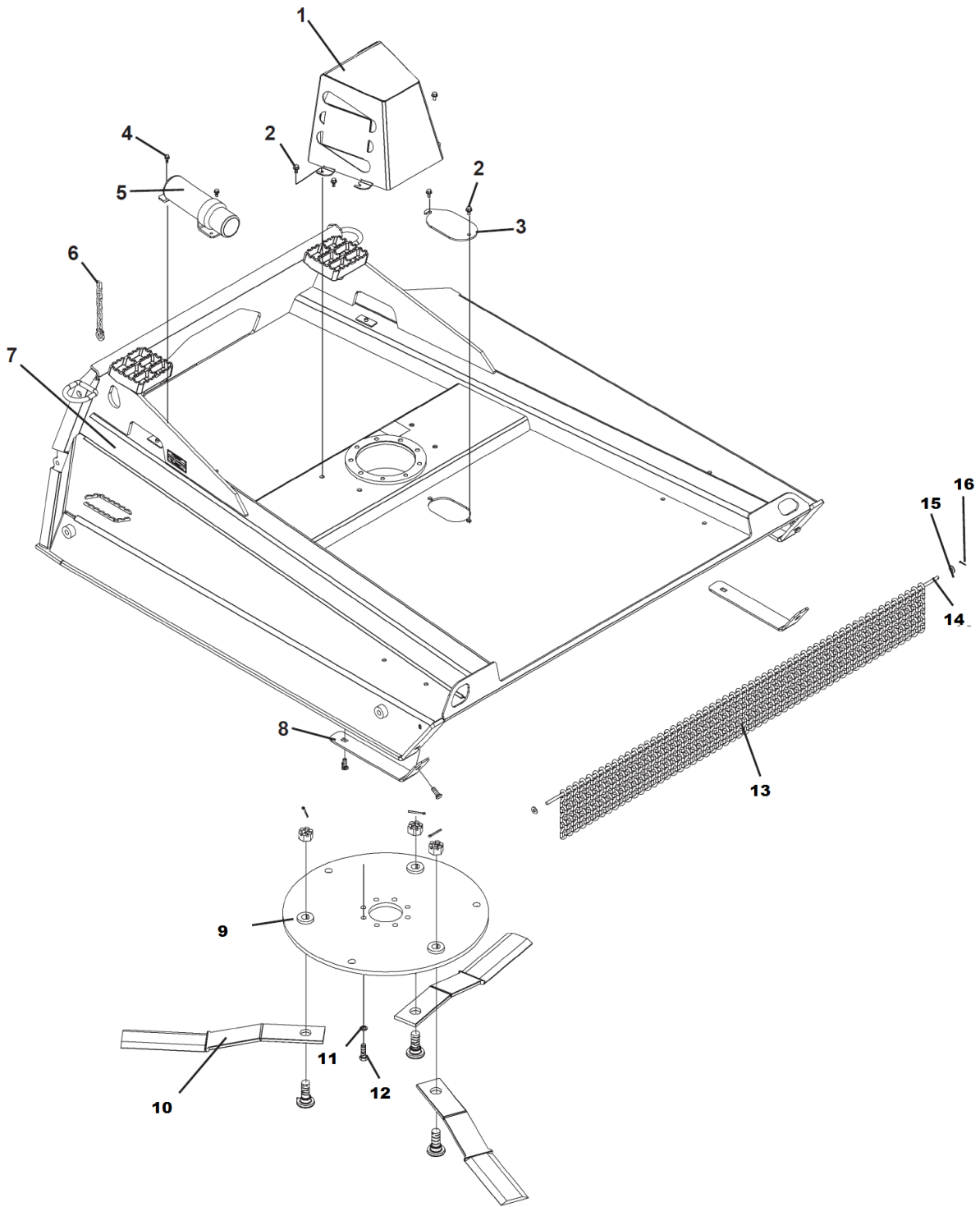
Item	Qty	Part No.	Name	Additional Info
1		VARIES	Item Varies Per Prime Mover.	
1	1	22518	Female Quick Coupler .50" Body 12FBo	
1	1	84921	Female Quick Coupler .62" Body 12FBo	
1	1	22520	Female Quick Coupler .75" Body 12FBo	
2		VARIES	Item Varies Per Prime Mover.	
2	1	17922	Dust Cap (.50" Body Coupler)	
2	1	114892	Dust Cap (.62" Body Coupler)	
2	1	113865	Dust Cap (.75" Body Coupler)	
3		VARIES	Item Varies Per Prime Mover.	
3	1	22519	Male Quick Coupler .50" Body 12FBo	
3	1	84922	Male Quick Coupler .62" Body 12FBo	
3	1	22521	Male Quick Coupler .75" Body 12FBo	
4		VARIES	Item Varies Per Prime Mover.	
4	1	17921	Dust Cap (.50" Body Coupler)	
4	1	114891	Dust Cap (.62" Body Coupler)	
4	1	113864	Dust Cap (.75" Body Coupler)	
5	2	38126	Hose .62" X 97" 10MBo-12MBo	
6	1	1026	.31" UNC X 2.00" Hex Capscrew	
7	1	1502	.31" Lock Washer	
8	1	22315	Hose Clamp Plate	
9	1	22316	Hose Clamp Cushion	
10	1	117657	Hydraulic Motor 6.2 CID	
10.1	2	46234	Replacement Relief Valve Seal Kit	
10.1	2	46233	Replacement Relief Valve	
10.1	1	117879	Replacement Motor Seal Kit	
11	2	1781	.50" UNC X 2.00" Hex Capscrew - GR8	
12	2	1505	.50" Lock Washer	
13	1	45125	O-Ring	
14	9	1895	.62" UNC X 2.00" Hex Capscrew - GR8	
15	9	1506	.62" Lock Washer	
16	1	117610	Auburn Bearing Housing	

26-32 GPM Brush Cutters



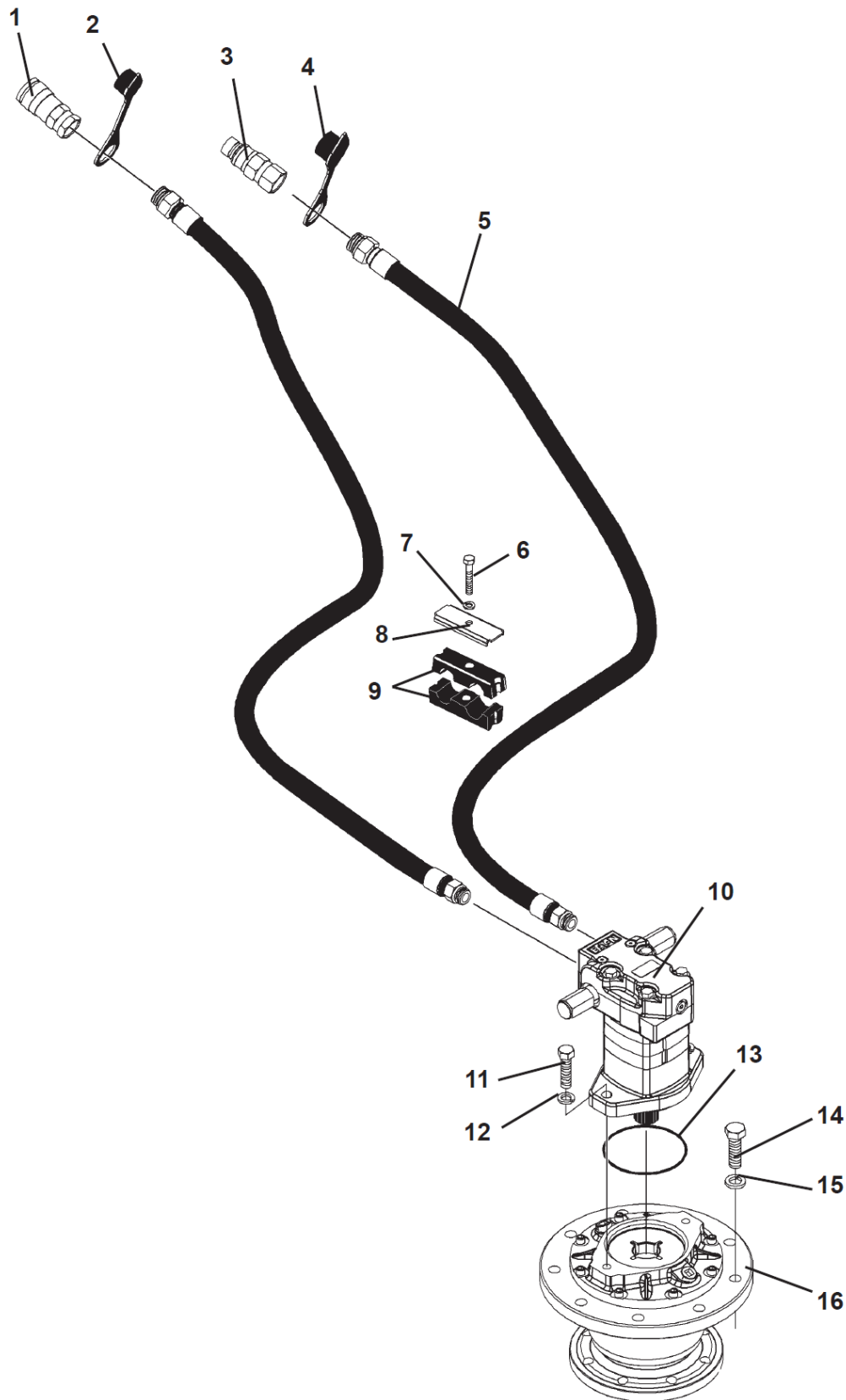
Item	Qty	Part No.	Name	Additional Info
1	1	118930	Replacement Cover with Decals	
2	6	1953	.38" UNC X .75" Flange Head Capscrew	
3	1	15321	Blade Access Cover	
4	2	1930	.31" UNC X .75" Flange Head Capscrew	
5	1	25453	Manual Storage Tube	
6	1	18169	Lift Limiting Chain	
6	2	89968	Shackle	
7	1	117720	72" Cutter	
8	1	117810	Replacement Skid Shoe Kit	
9	1	117719	Blade Carrier	
10	1	118331	Replacement 72" Blade Kit	
11	8	10200	.62" Nord-Lock Washer	
12	8	1895	.62" UNC X 2.00" Hex Capscrew - GR8	
13	56	15326	Front Chain	
14	1	17348	72" Front Chain Retainer	
15	1	1514	.38" Flat Washer	
16	1	1611	Cotter Pin	

26-32 GPM Brush Cutters



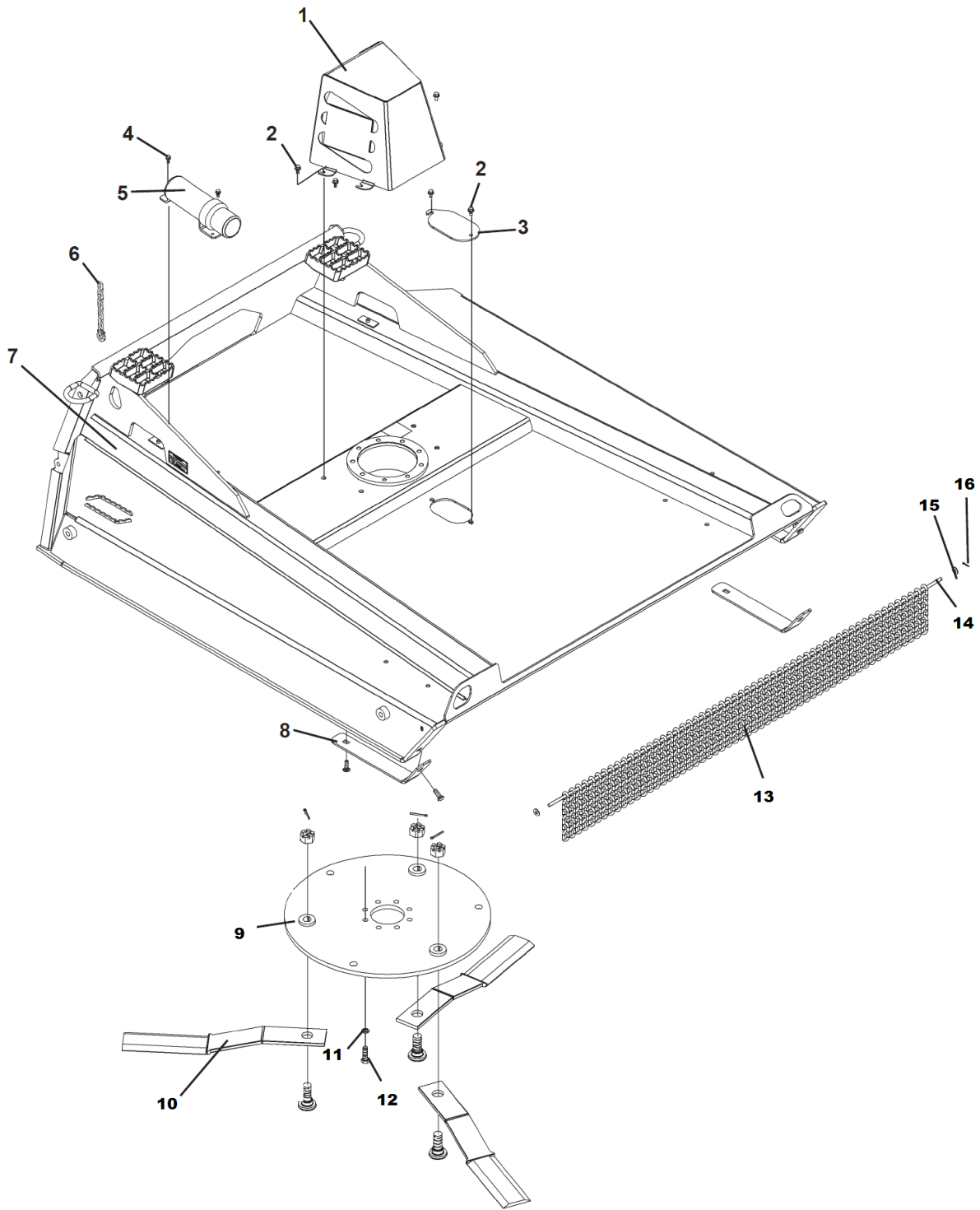
Item	Qty	Part No.	Name	Additional Info
1	1	118930	Replacement Cover with Decals	
2	6	1953	.38" UNC X .75" Flange Head Capscrew	
3	1	15321	Blade Access Cover	
4	2	1930	.31" UNC X .75" Flange Head Capscrew	
5	1	25453	Manual Storage Tube	
6	1	18169	Lift Limiting Chain	
6	2	89968	Shackle	
7	1	117580	78" Cutter	
8	1	117810	Replacement Skid Shoe Kit	
9	1	117719	Blade Carrier	
10	1	118332	Replacement 78" Blade Kit	
11	8	10200	.62" Nord-Lock Washer	
12	8	1895	.62" UNC X 2.00" Hex Capscrew - GR8	
13	60	15326	Front Chain	
14	1	106342	78" Front Chain Retainer	
15	1	1514	.38" Flat Washer	
16	1	1611	Cotter Pin	

26-32 GPM Brush Cutters



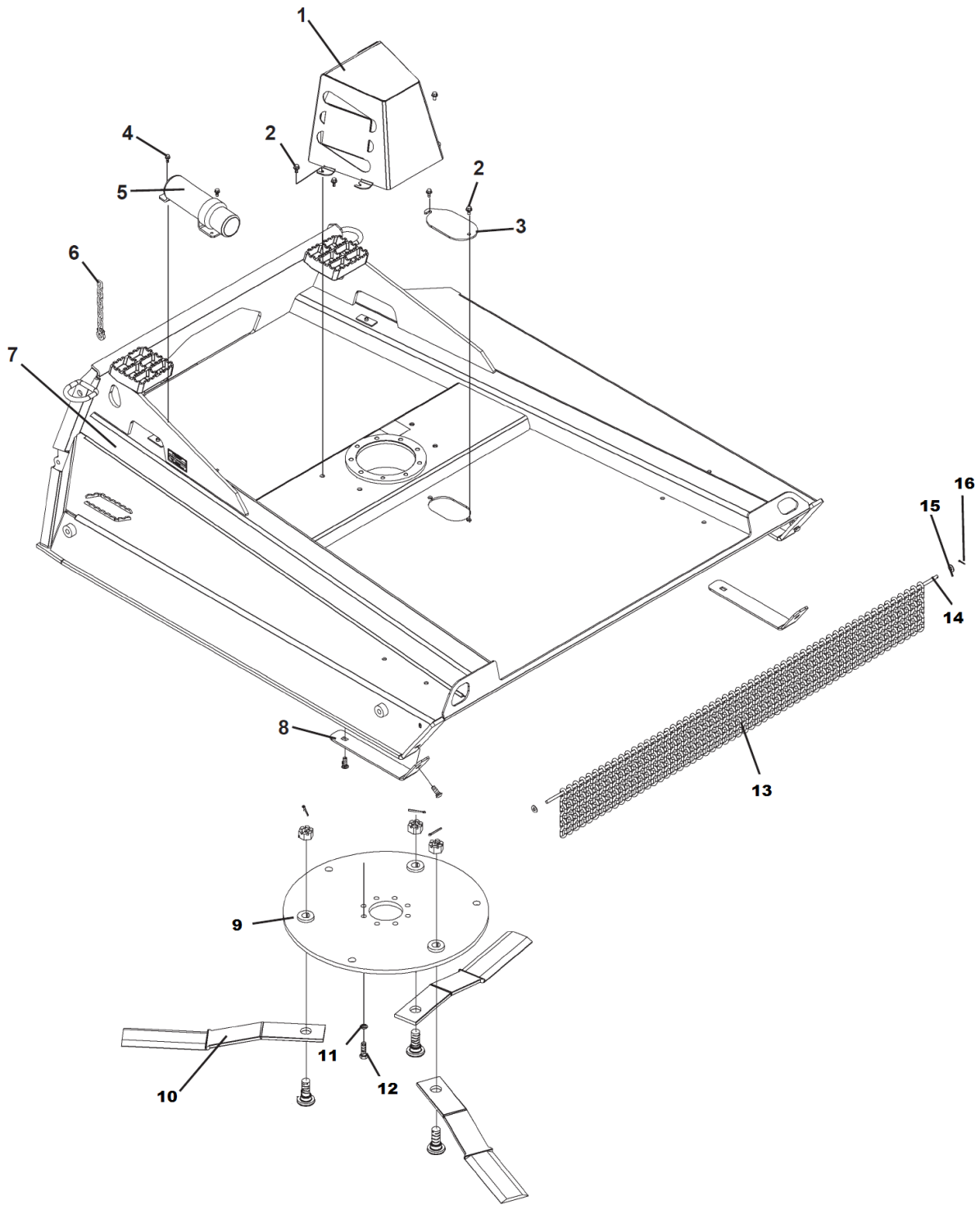
Item	Qty	Part No.	Name	Additional Info
1	-	VARIES	Item Varies Per Prime Mover.	
1	1	22518	Female Quick Coupler .50" Body 12FBo	
1	1	84921	Female Quick Coupler .62" Body 12FBo	
1	1	22520	Female Quick Coupler .75" Body 12FBo	
2	-	VARIES	Item Varies Per Prime Mover.	
2	1	17922	Dust Cap (.50" Body Coupler)	
2	1	114892	Dust Cap (.62" Body Coupler)	
2	1	113865	Dust Cap (.75" Body Coupler)	
3	-	VARIES	Item Varies Per Prime Mover.	
3	1	22519	Male Quick Coupler .50" Body 12FBo	
3	1	84922	Male Quick Coupler .62" Body 12FBo	
3	1	22521	Male Quick Coupler .75" Body 12FBo	
4	-	VARIES	Item Varies Per Prime Mover.	
4	1	17921	Dust Cap (.50" Body Coupler)	
4	1	114891	Dust Cap (.62" Body Coupler)	
4	1	113864	Dust Cap (.75" Body Coupler)	
5	2	38126	Hose .62" X 97" 10MBo-12MBo	
6	1	1026	.31" UNC X 2.00" Hex Capscrew	
7	1	1502	.31" Lock Washer	
8	1	22315	Hose Clamp Plate	
9	1	22316	Hose Clamp Cushion	
10	1	117658	Hydraulic Motor 9.6 CID	
10.1	2	46234	Replacement Relief Valve Seal Kit	
10.1	2	46233	Replacement Relief Valve	
10.1	1	117879	Replacement Motor Seal Kit	
11	2	1781	.50" UNC X 2.00" Hex Capscrew - GR8	
12	2	1505	.50" Lock Washer	
13	1	45125	O-Ring	
14	9	1895	.62" UNC X 2.00" Hex Capscrew - GR8	
15	9	1506	.62" Lock Washer	
16	1	117610	Auburn Bearing Housing	

33-40 GPM Brush Cutters



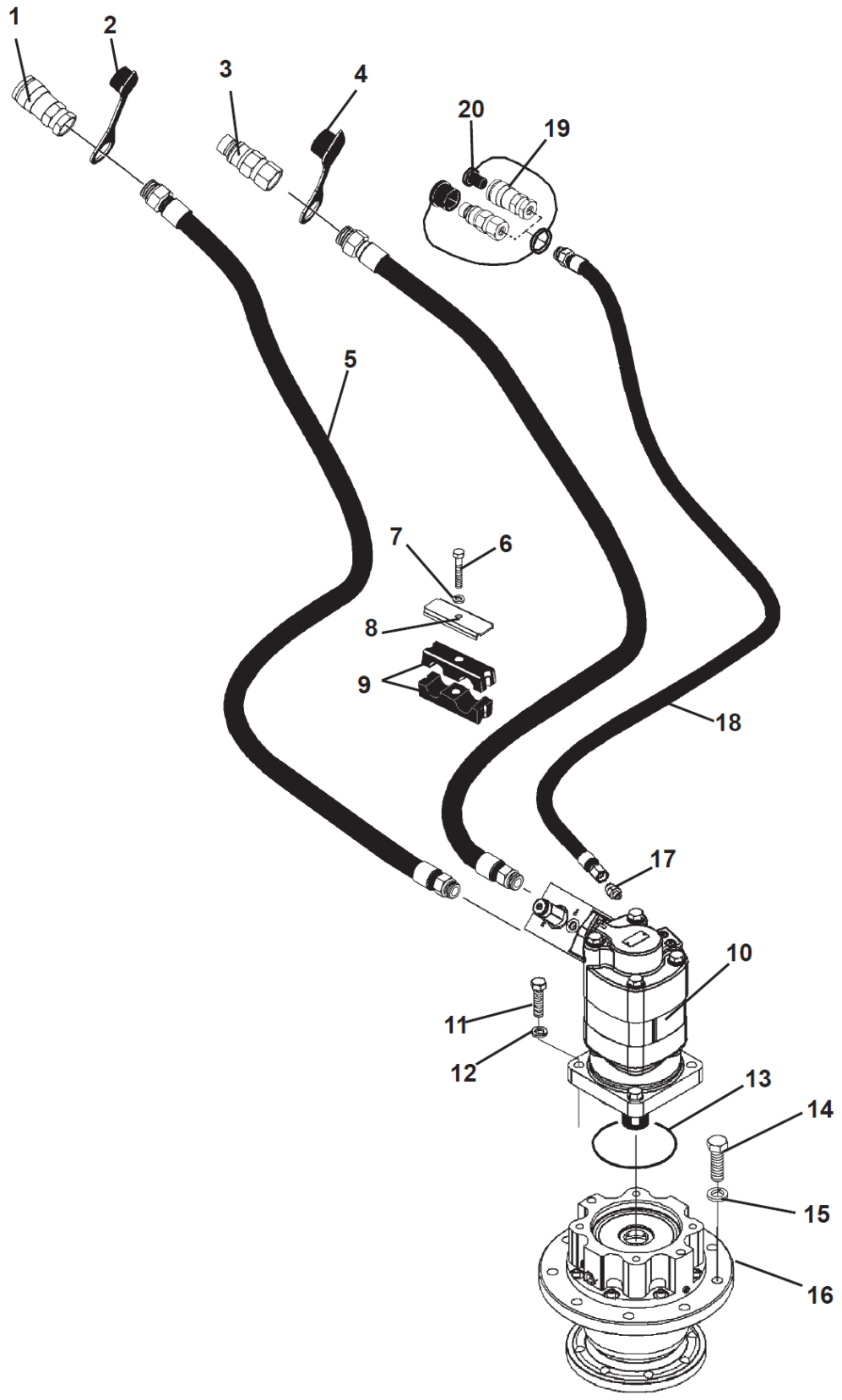
Item	Qty	Part No.	Name	Additional Info
1	1	118931	Replacement Cover with Decals	
2	6	1953	.38" UNC X .75" Flange Head Capscrew	
3	1	15321	Blade Access Cover	
4	2	1930	.31" UNC X .75" Flange Head Capscrew	
5	1	25453	Manual Storage Tube	
6	1	18169	Lift Limiting Chain	
6	2	89968	Shackle	
7	1	117720	72" Cutter	
8	1	117810	Replacement Skid Shoe Kit	
9	1	117719	Blade Carrier	
10	1	118331	Replacement 72" Blade Kit	
11	8	10200	.62" Nord-Lock Washer	
12	8	1895	.62" UNC X 2.00" Hex Capscrew - GR8	
13	56	15326	Front Chain	
14	1	17348	72" Front Chain Retainer	
15	1	1514	.38" Flat Washer	
16	1	1611	Cotter Pin	

33-40 GPM Brush Cutters

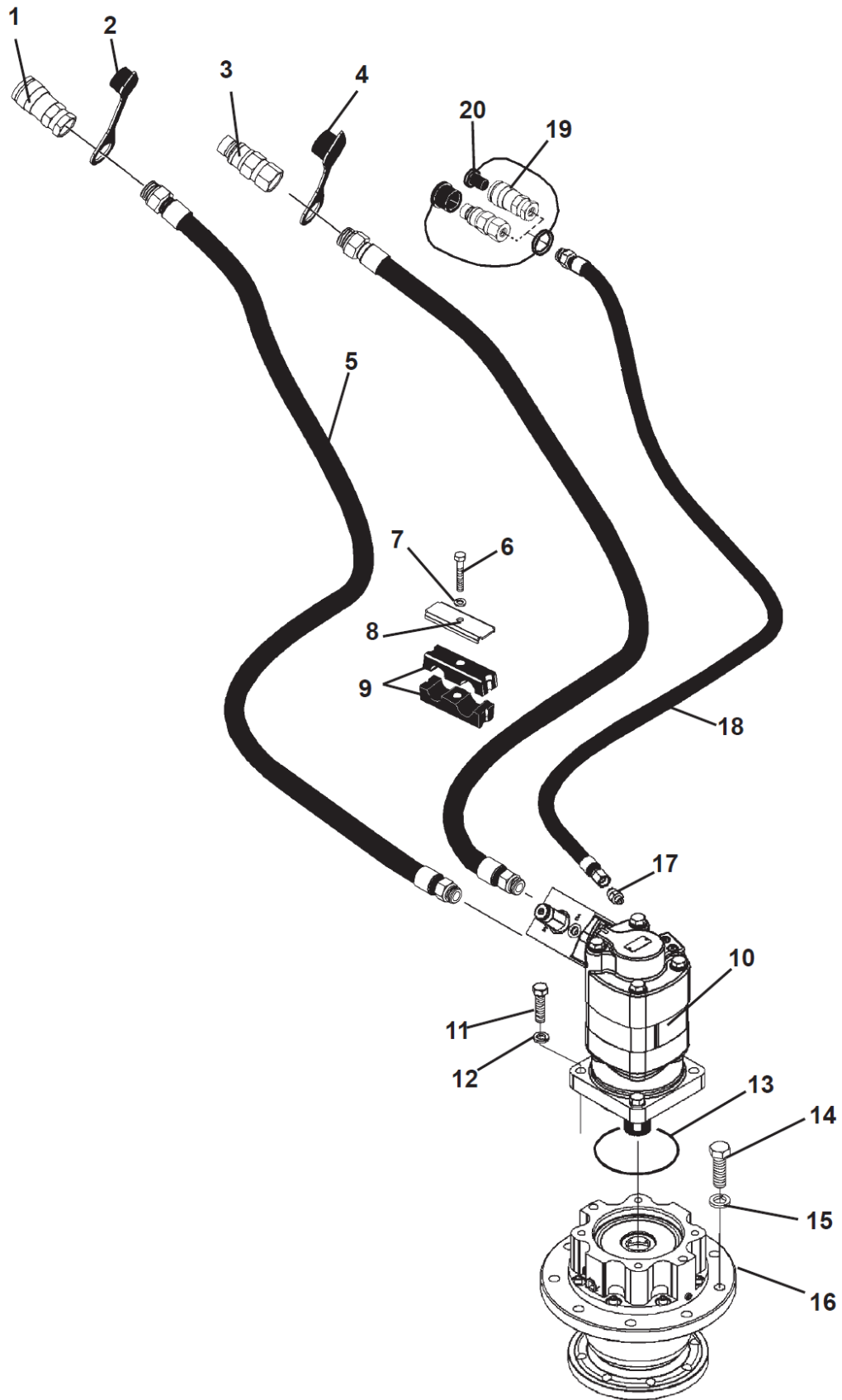


Item	Qty	Part No.	Name	Additional Info
1	1	118931	Replacement Cover with Decals	
2	6	1953	.38" UNC X .75" Flange Head Capscrew	
3	1	15321	Blade Access Cover	
4	2	1930	.31" UNC X .75" Flange Head Capscrew	
5	1	25453	Manual Storage Tube	
6	1	18169	Lift Limiting Chain	
6	2	89968	Shackle	
7	1	117580	78" Cutter	
8	1	117810	Replacement Skid Shoe Kit	
9	1	117719	Blade Carrier	
10	1	118332	Replacement 78" Blade Kit	
11	8	10200	.62" Nord-Lock Washer	
12	8	1895	.62" UNC X 2.00" Hex Capscrew - GR8	
13	60	15326	Front Chain	
14	1	106342	78" Front Chain Retainer	
15	1	1514	.38" Flat Washer	
16	1	1611	Cotter Pin	

33-40 GPM Brush Cutters

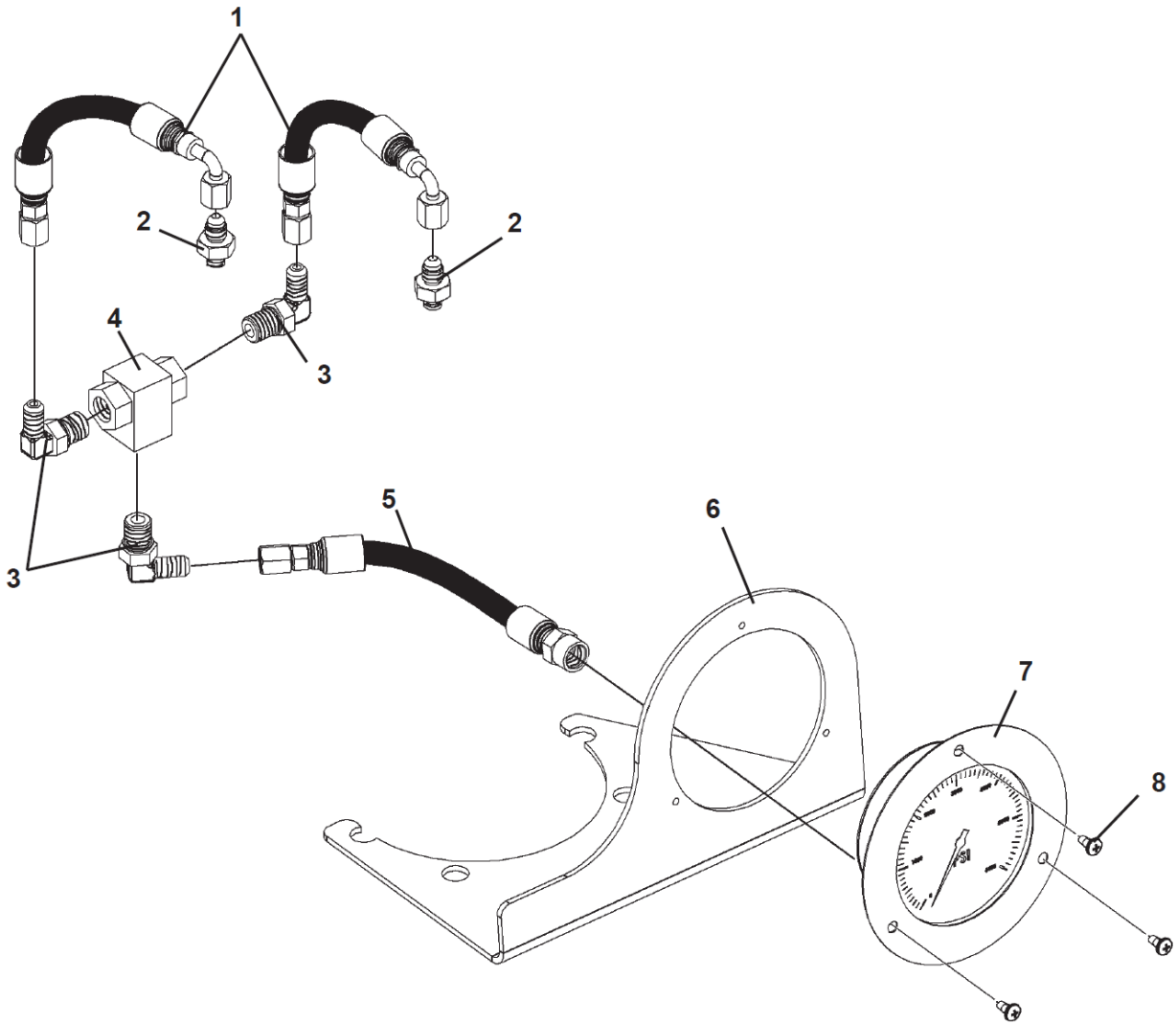


Item	Qty	Part No.	Name	Additional Info
1	-	VARIES	Item Varies Per Prime Mover.	
1	1	22518	Female Quick Coupler .50" Body 12FBo	
1	1	84921	Female Quick Coupler .62" Body 12FBo	
1	1	22520	Female Quick Coupler .75" Body 12FBo	
2	-	VARIES	Item Varies Per Prime Mover.	
2	1	17922	Dust Cap (.50" Body Coupler)	
2	1	114892	Dust Cap (.62" Body Coupler)	
2	1	113865	Dust Cap (.75" Body Coupler)	
3	-	VARIES	Item Varies Per Prime Mover.	
3	1	22519	Male Quick Coupler .50" Body 12FBo	
3	1	84922	Male Quick Coupler .62" Body 12FBo	
3	1	22521	Male Quick Coupler .75" Body 12FBo	
4	-	VARIES	Item Varies Per Prime Mover.	
4	1	17921	Dust Cap (.50" Body Coupler)	
4	1	114891	Dust Cap (.62" Body Coupler)	
4	1	113864	Dust Cap (.75" Body Coupler)	
5	2	38742	Hose .75" X 96" 12MBo-12MBo	
6	1	1026	.31" UNC X 2.00" Hex Capscrew	
7	1	1502	.31" Lock Washer	
8	1	22315	Hose Clamp Plate	
9	1	22316	Hose Clamp Cushion	
10	1	117659	Hydraulic Motor Assembly 11-9 CID	
10.1	1	118195	Replacement Motor 11.9 CID	
10.1	1	45898	Shaft Seal Kit	
10.1	1	45899	Replacement Motor Seal Kit - Rear	
10.1	2	46231	Replacement Relief Valve	
10.1	2	46232	Replacement Relief Valve Seal Kit	
11	4	1781	.50" UNC X 2.00" Hex Capscrew - GR8	
12	4	1505	.50" Lock Washer	
13	1	22609	O-Ring	
14	9	1895	.62" UNC X 2.00" Hex Capscrew - GR8	
15	9	1506	.62" Lock Washer	

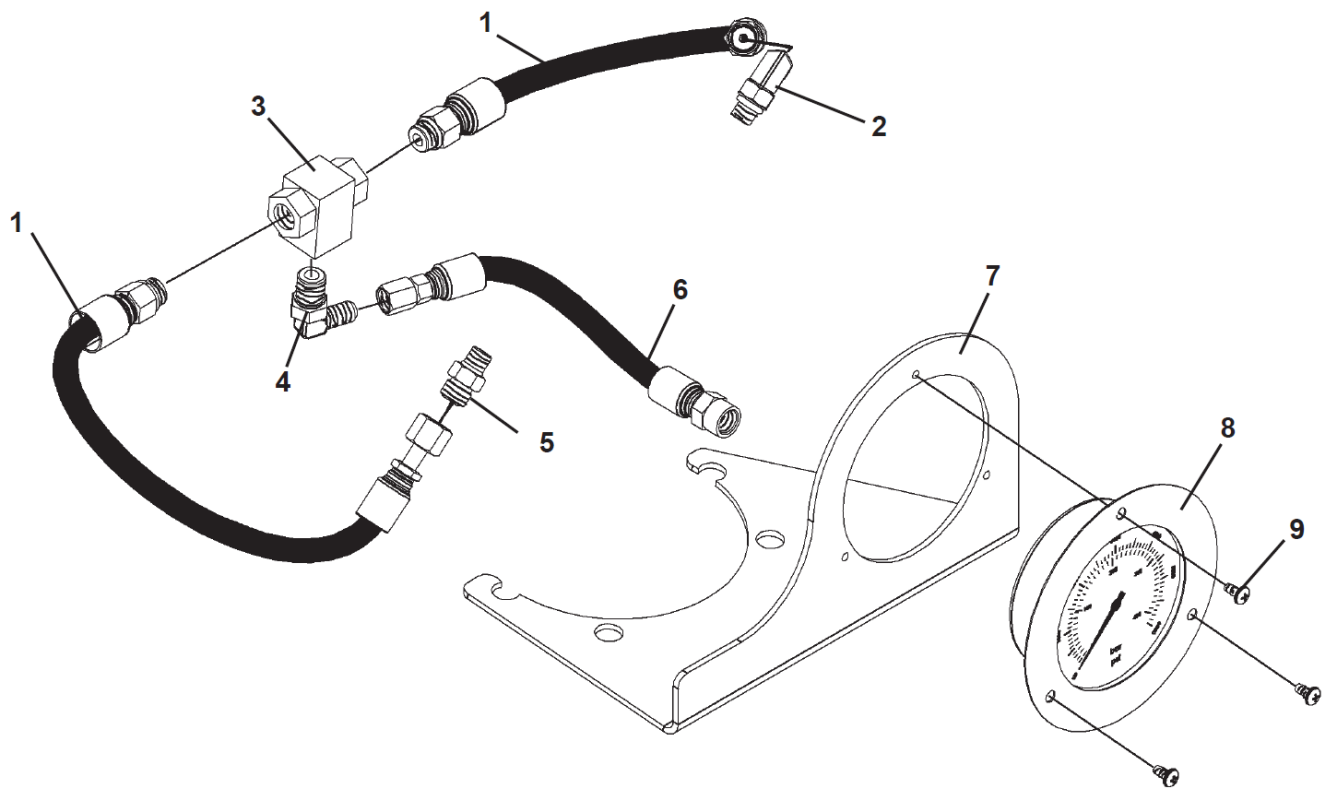


Item	Qty	Part No.	Name	Additional Info
16	1	117611	Auburn Bearing Housing	
17	1	3494	Straight Adapter 4MBo-6MJ	
18	1	38151	Hose .38" X 94" 6JFX-8MBo	
19	-	VARIES	Item Varies Per Prime Mover.	
19	1	84923	Male Quick Coupler .38" Body 8FBo	Case Drain Line.
19	1	84928	Female Quick Coupler .38" Body 8FBo	Case Drain Line.
20	-	VARIES	Item Varies Per Prime Mover.	
20	1	32549	Dust Cap - Male Coupler - .38" Body	Case Drain Line.
20	1	32548	Dust Plug - Female Coupler - .38" Body	Case Drain Line.

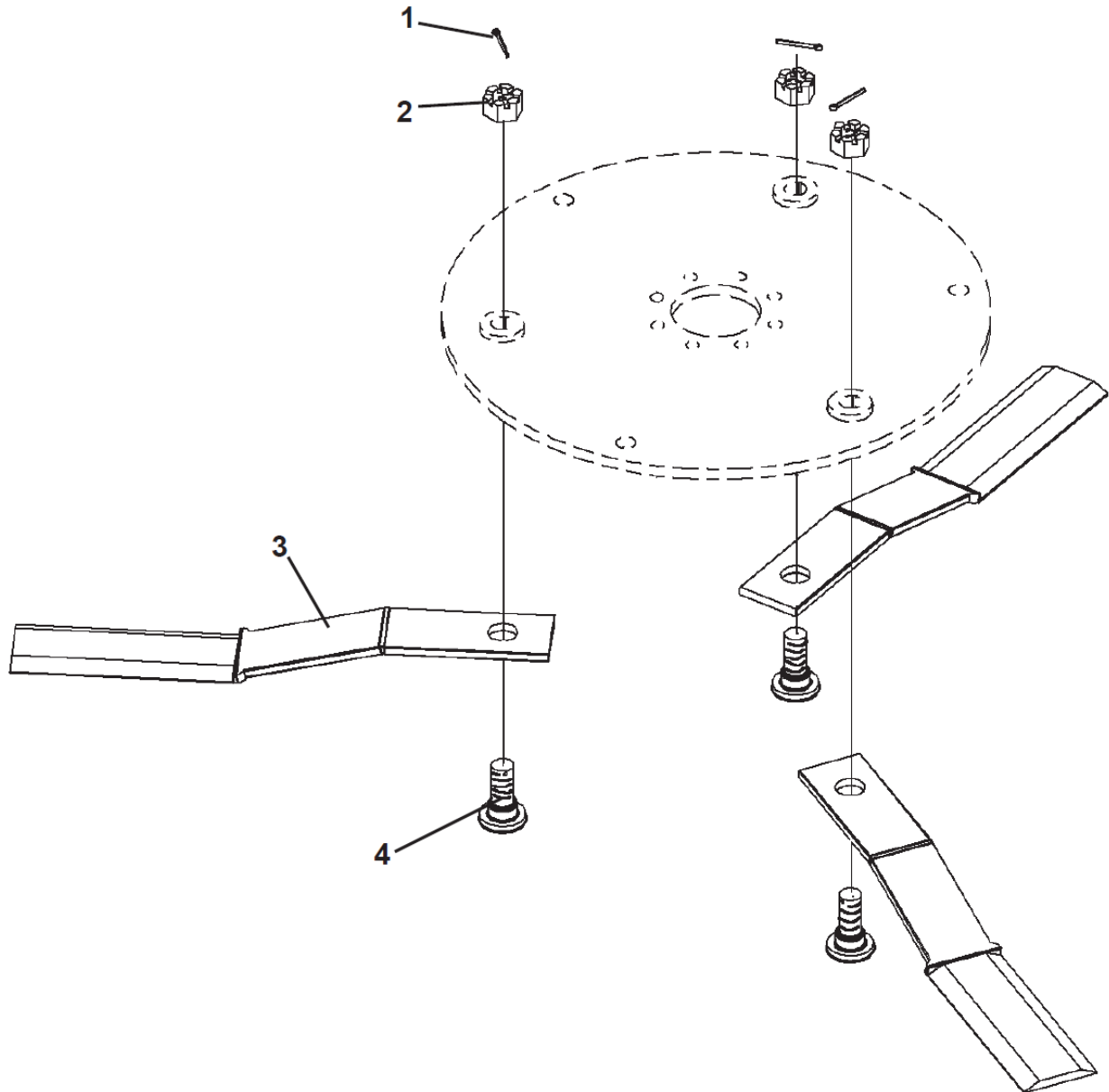
Options & Kits



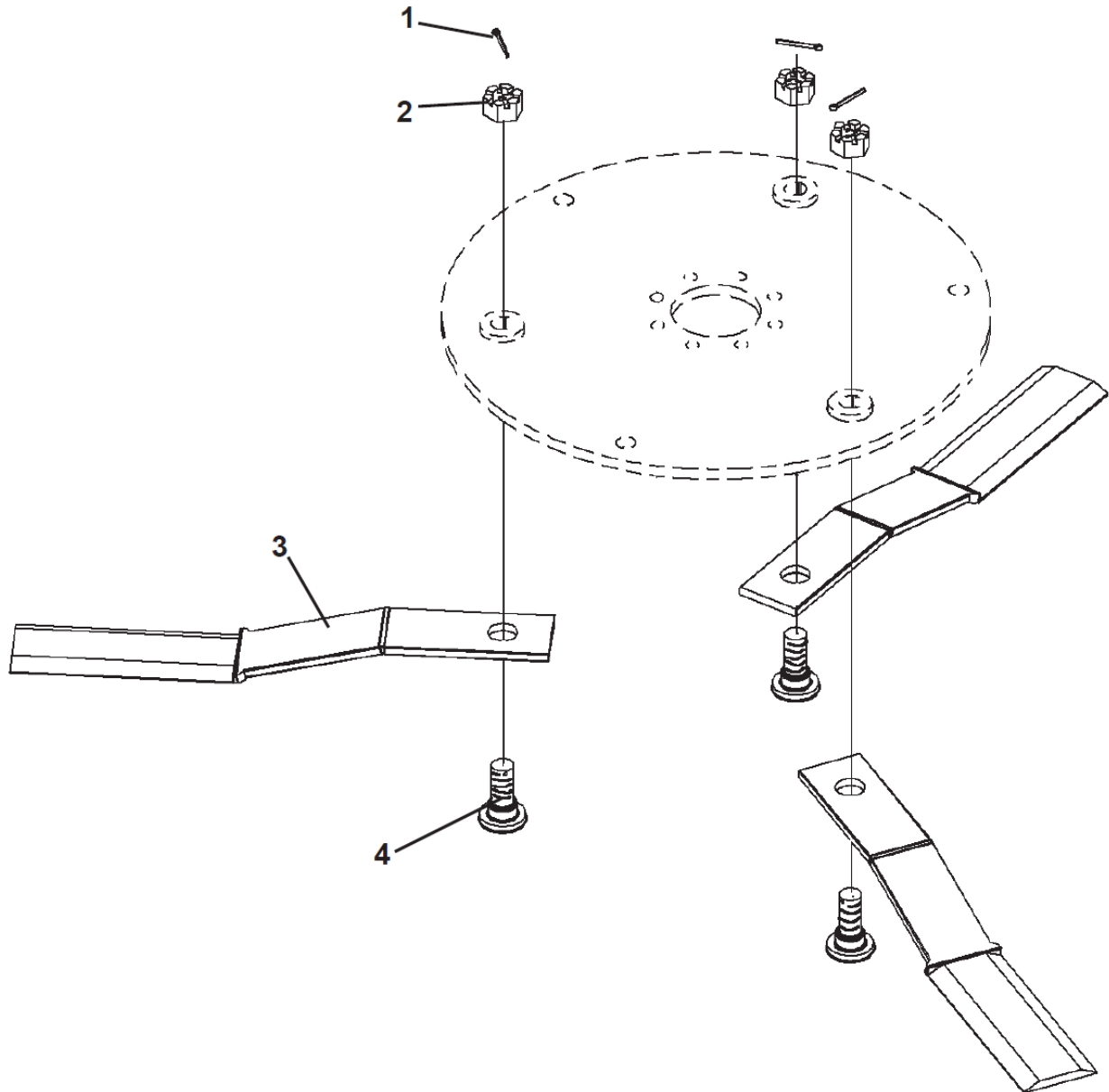
Item	Qty	Part No.	Name	Additional Info
1	2	38769	Hose .25" X 8" 4FJ-4FJX 90°	
2	2	30477	Straight Adapter 3MB0-4MJ	
3	3	22576	90° Elbow 6MBo-4MJ	
4	1	22547	Shuttle Valve	
5	1	38770	Hose .25" X 8" 4FP-4FJX	
6	1	117689	Pressure Gauge Mount	
7	1	117880	Pressure Gauge	
7	1	41258	Gauge Overlay Decal	
8	3	10255	#10-24 X .38" Self Tapping Screw	



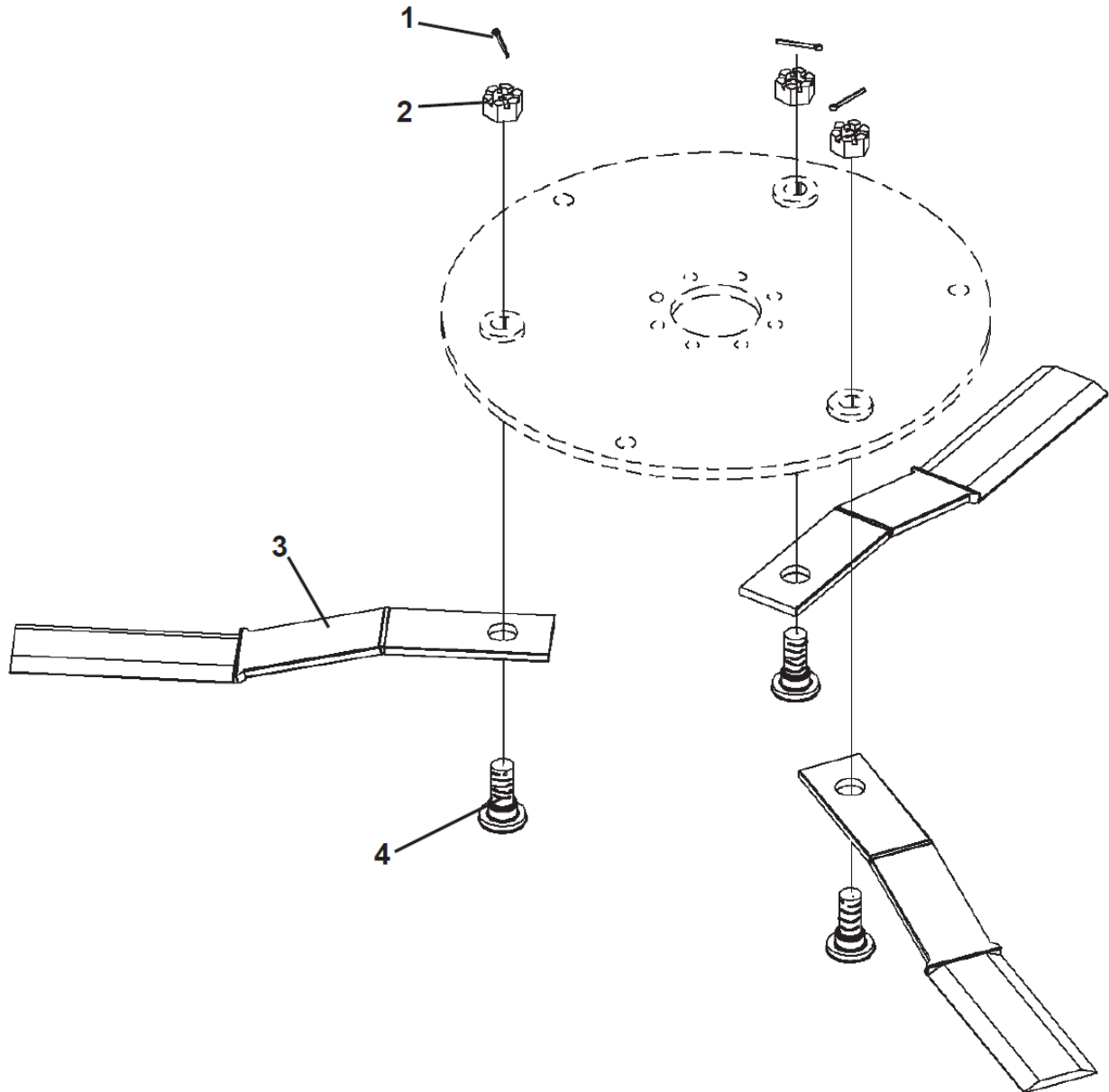
Item	Qty	Part No.	Name	Additional Info
1	2	38789	Hose .25" X 16" 6MBo-4FF	
2	1	30441	90° Elbow 4MBo-4MORFS	
3	1	22547	Shuttle Valve	
4	1	22576	90° Elbow 6MBo-4MJ	
5	1	30481	Straight Adapter 4MBo-4MORFS	
6	1	38770	Hose .25" X 8" 4FP-4FJX	
7	1	117689	Pressure Gauge Mount	
8	1	117880	Pressure Gauge	
8	1	41258	Gauge Overlay Decal	
9	3	10255	#10-24 X .38" Self Tapping Screw	



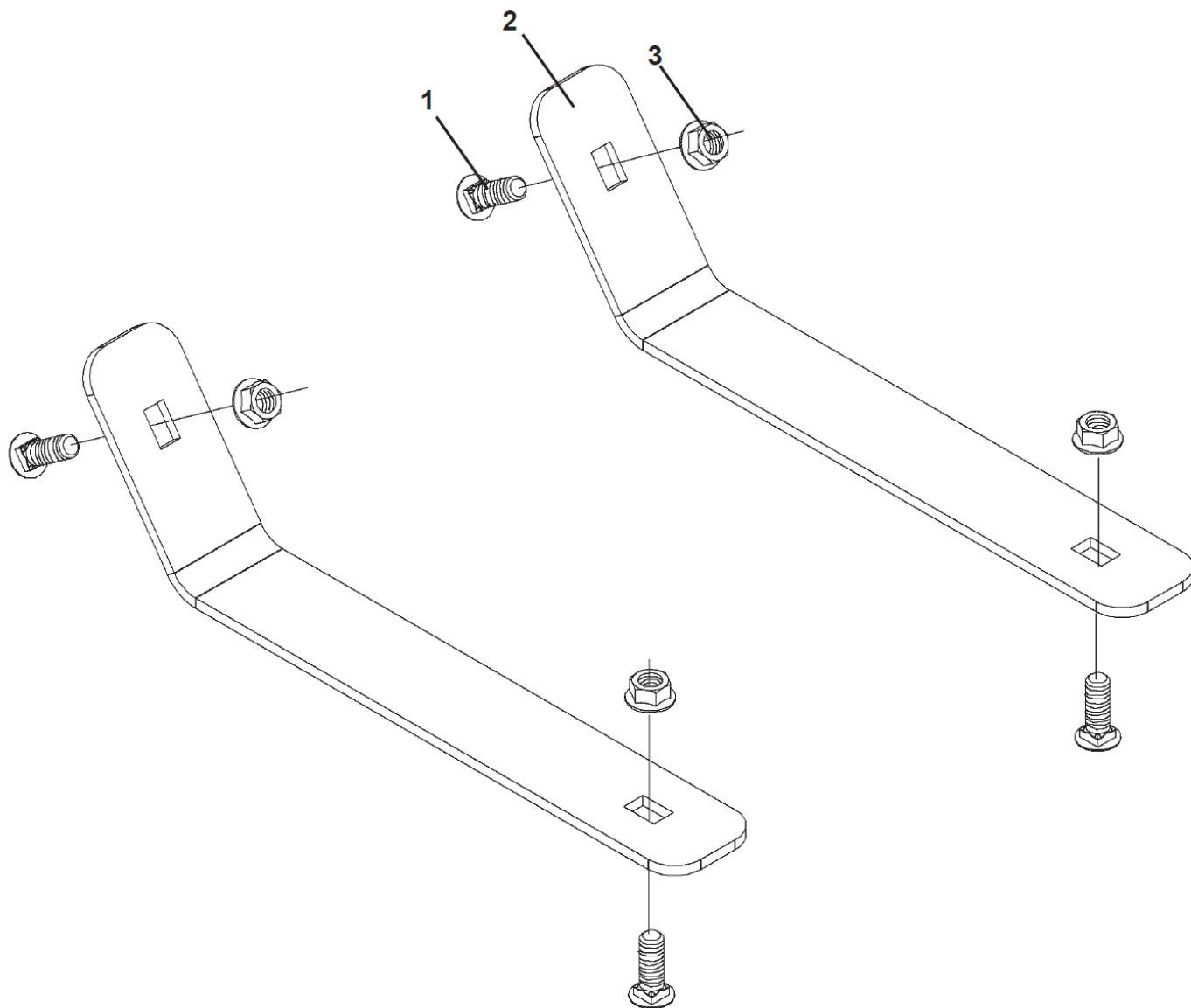
Item	Qty	Part No.	Name	Additional Info
1	3	1793	Cotter Pin	
2	3	17390	Special Nut	
3	3	117785	Double Edged Blade .50"	
4	3	17389	Blade Mounting Bolt	



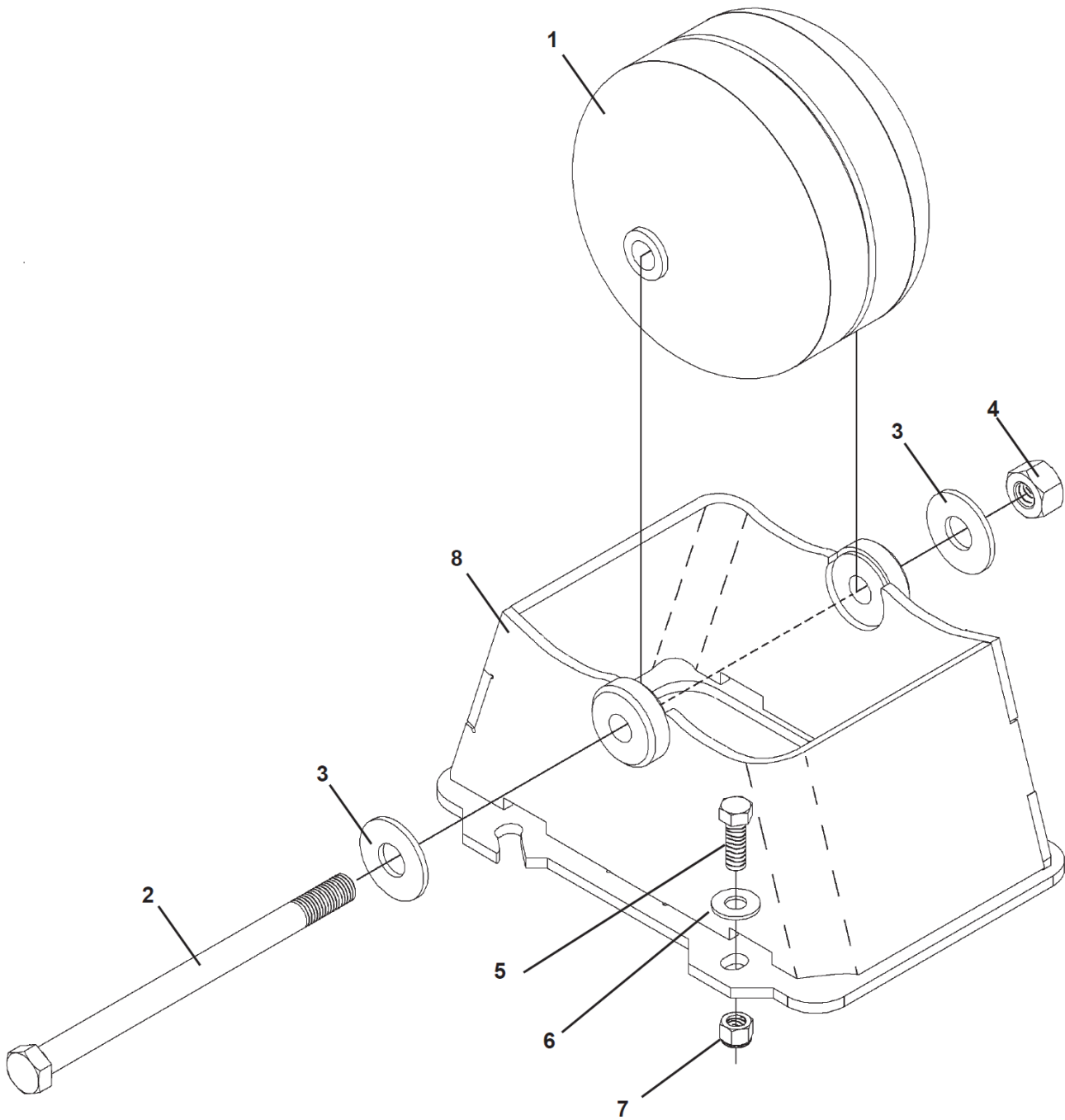
Item	Qty	Part No.	Name	Additional Info
1	3	1793	Cotter Pin	
2	3	17390	Special Nut	
3	3	18515	Double Edged Blade .50"	
4	3	17389	Blade Mounting Bolt	



Item	Qty	Part No.	Name	Additional Info
1	3	1793	Cotter Pin	
2	3	17390	Special Nut	
3	3	106312	Double Edged Blade .50"	
4	3	17389	Blade Mounting Bolt	

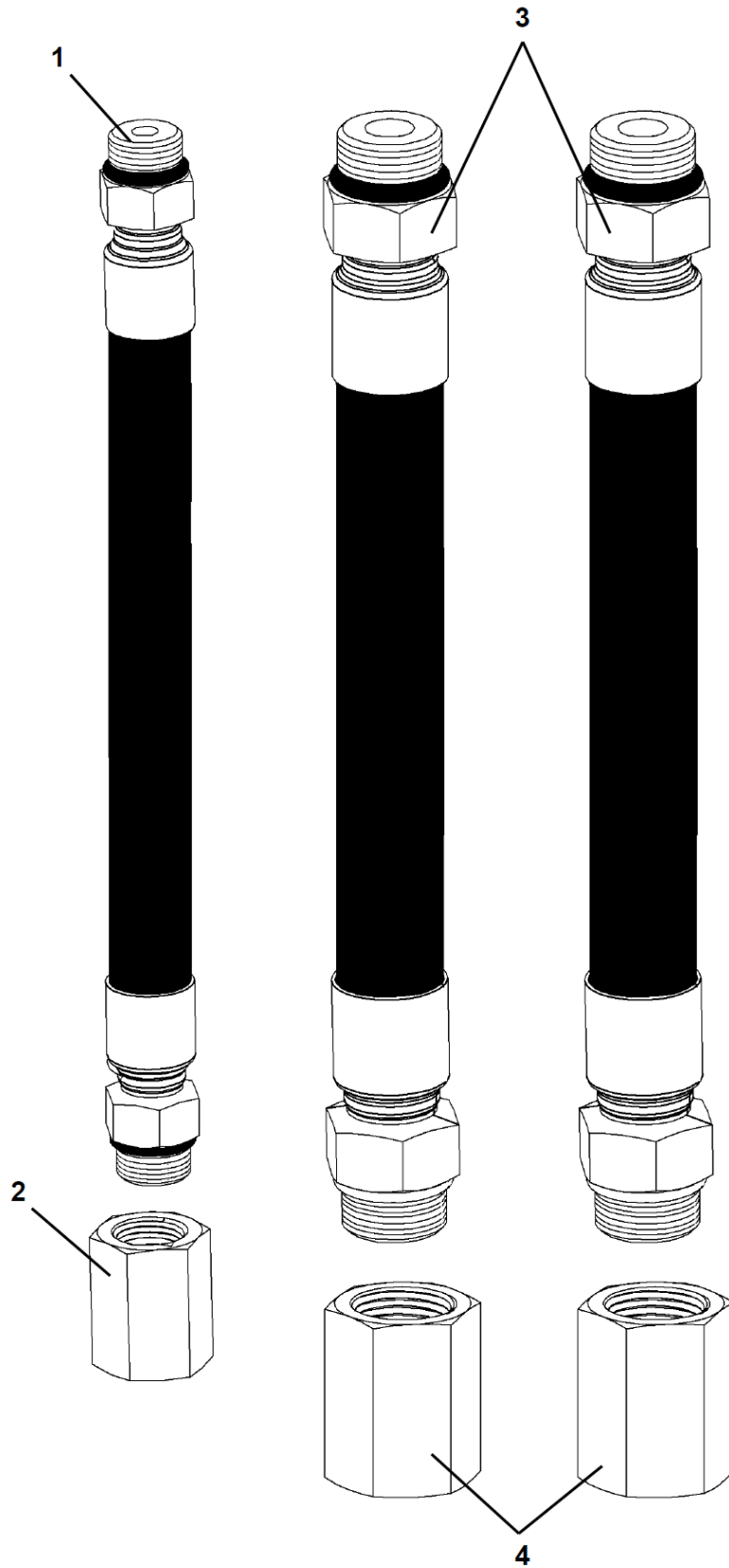


Item	Qty	Part No.	Name	Additional Info
1	4	1872	.50" UNC X 1.50" Carriage Bolt	
2	2	117811	Skid Shoe	
3	4	1790	.50" UNC Serrrated Flange Lock Nut	



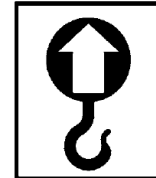
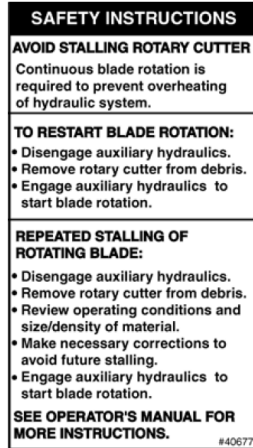
Item	Qty	Part No.	Name	Additional Info
Not Shown		117680	Wheel Kit	(Includes Items 1-4), Includes items 1 through 4.
1	2	117685	Wheel	
2	2	1689	.75" UNC X 7.00" Hex Capscrew - GR8	
3	4	1518	.75" Flat Washer	
4	2	1534	.75" UNC Nylock Nut	
5	8	1090	.50"UNC X 1.50" Hex Capscrew	
6	8	1527	.50" SAE Flat Washer	
7	8	1841	.50" UNC Deformed Lock Nut	
8	1	117681	Wheel Frame	

Options & Kits



Item	Qty	Part No.	Name	Additional Info
1	1	38795	Hose .38" X 26" 8MBo-8MBo	
2	1	30473	Straight Adapter 8FBo-8FBo	
3	2	38793	Hose .75" X 24" 12MBo-12MBo	
4	2	30487	Straight Adapter 12FBo-12FBo	

Replacement Decals

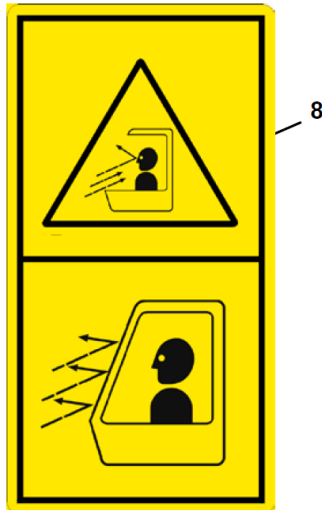
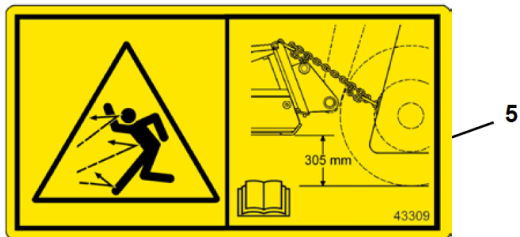
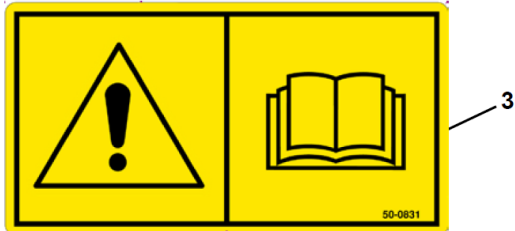
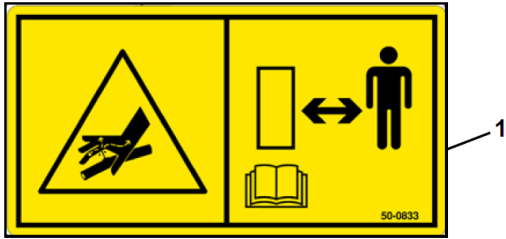


Item	Qty	Part No.	Name	Additional Info
1	-	40673	Danger! Rotating Blade	
2	-	40677	Safety Instructions	
3	-	40678	Warning! Before Leaving Operator's Seat	
4	-	40151	Warning! High Pressure Fluid	
5	-	50-0769	Lift Point	
6	-	40307	Danger! Guard Missing	
7	-	41207	Warning! Moving Parts	
8	-	41153	Caution! Max Flow 32 GPM	(Used on B Series Units ONLY)
9	-	40590	Caution! Max Flow 25 GPM	(Used on A Series Units ONLY)
10	-	40161	Stand Clear	
11	-	41211	Ground Shark	
12	-	40679	Warning! Lift Limiting Chain	
13	-	41219	Standard Duty Brush Cutter	
14	-	4105	Danger! Stand Clear	
15	-	Varies	Contact your local dealer to purchase model number and logo decals.	

Comments for Page: Verbiage Decals - PM834

IMPORTANT: See Operator's manual for decal placement and definition.

Replacement Decals



Item	Qty	Part No.	Name	Additional Info
1	-	50-0833	Warning! High Pressure Fluid Hazard	
2	-	50-0841	Flying Debris - Stand Back	
3	-	50-0831	Read Manual	
4	-	43310	Rotating Blade Hazard - Stand Back	
5	-	43309	Flying Debris Hazard - Lift Limiting Chain Required	
6	-	50-0835	Pinch Point Hazard - Hand	
7	-	41013	Remove Key Before Performing Maintenance	
8	-	43302	Flying Debris Hazard - Shatterproof Cab Door Required	
9	-	43305	Entanglement Hazard - Guards	
10	-	43307	Mandatory Action - Read Manual - Specific Instructions	
11	-	Varies	Contact your local dealer to purchase model number and logo decals.	

Comments for Page: Non-Verbiage Decals - PM834

IMPORTANT: See Operator's manual for decal placement and definition.

Comments for Chapter: Replacement Decals

IMPORTANT: See Operator's manual for decal placement and definition.