

Pick-Up Sweeper / 215 Series

Pick-Up Sweeper / 215 Series

5' Sweeper - 215 Series

| | |
|---|----|
| Sweeper Assembly - 21560 (24 CID Motor) | 1 |
| Sweeper Assembly - 21559 (18 CID Motor) | 3 |
| Body Assembly - 28-11070-60 | 5 |
| 5' Core Assembly - 28-10999 | 7 |
| Motor Assembly - 28-11071-1 | 9 |
| Motor Assembly - 28-11071-2 | 11 |
| Bearing Assembly | 13 |

6' Sweeper - 215 Series

| | |
|---|----|
| Sweeper Assembly - 21572 (24 CID Motor) | 15 |
| Sweeper Assembly - 21571 (18 CID Motor) | 17 |
| Body Assembly - 28-11070-72 | 19 |
| 6' Core Assembly - 28-10999 | 21 |
| Motor Assembly - 28-11071-1 | 23 |
| Motor Assembly - 28-11071-2 | 25 |
| Bearing Assembly | 27 |

7' Sweeper - 215 Series

| | |
|---|----|
| Sweeper Assembly - 21584 (24 CID Motor) | 29 |
| Sweeper Assembly - 21583 (18 CID Motor) | 31 |
| Body Assembly - 28-11070-84 | 33 |
| 7' Core Assembly - 28-10999 | 35 |
| Motor Assembly - 28-11071-1 | 37 |
| Motor Assembly - 28-11071-2 | 39 |
| Bearing Assembly | 41 |

Options & Kits

Flap Kits

| | |
|------------------------|----|
| Flap Kit - 28-11088-60 | 43 |
| Flap Kit - 28-11088-72 | 45 |
| Flap Kit - 28-11088-84 | 47 |

Cutting Edge Kits

| | |
|----------------------------------|----|
| 5' Cutting Edge Kit - 28-10578-5 | 49 |
| 6' Cutting Edge Kit - 28-10578-6 | 51 |
| 7' Cutting Edge Kit - 28-10578-7 | 53 |

Motor Kits

| | |
|----------------------|----|
| Motor Kit - 24.1 CID | 55 |
| Motor Kit - 18.7 CID | 57 |

Dust Suppression Kits

| | |
|--------------------------------------|----|
| 28-9139 Dust Suppression Kit 12 Volt | 59 |
| 28-9193 Dust Suppression Kit 24 Volt | 63 |

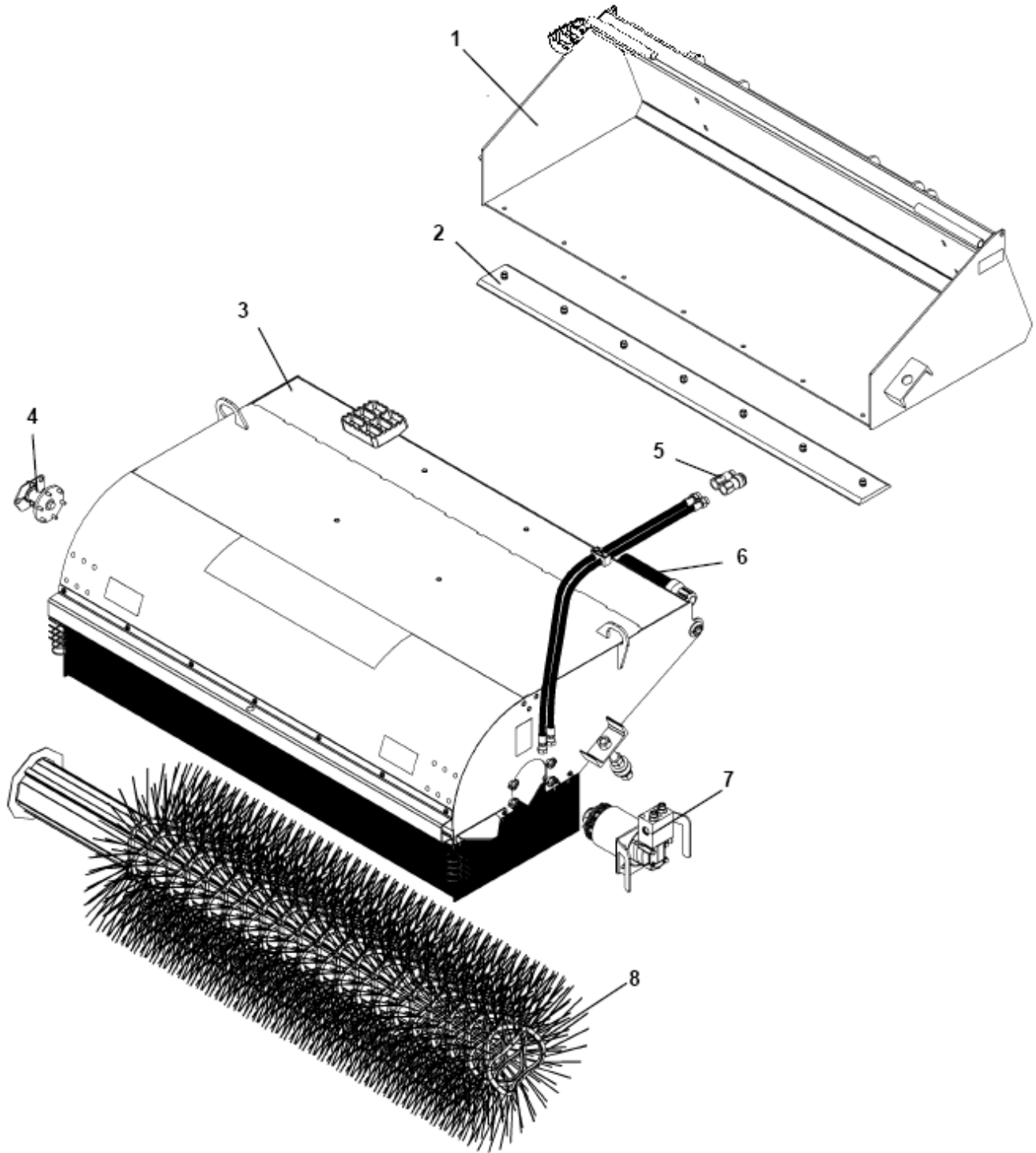
Gutterbroom Kits

| | |
|--------------------------------------|----|
| 28-10323 Single Gutterbroom Assembly | 67 |
|--------------------------------------|----|

Replacement Decals

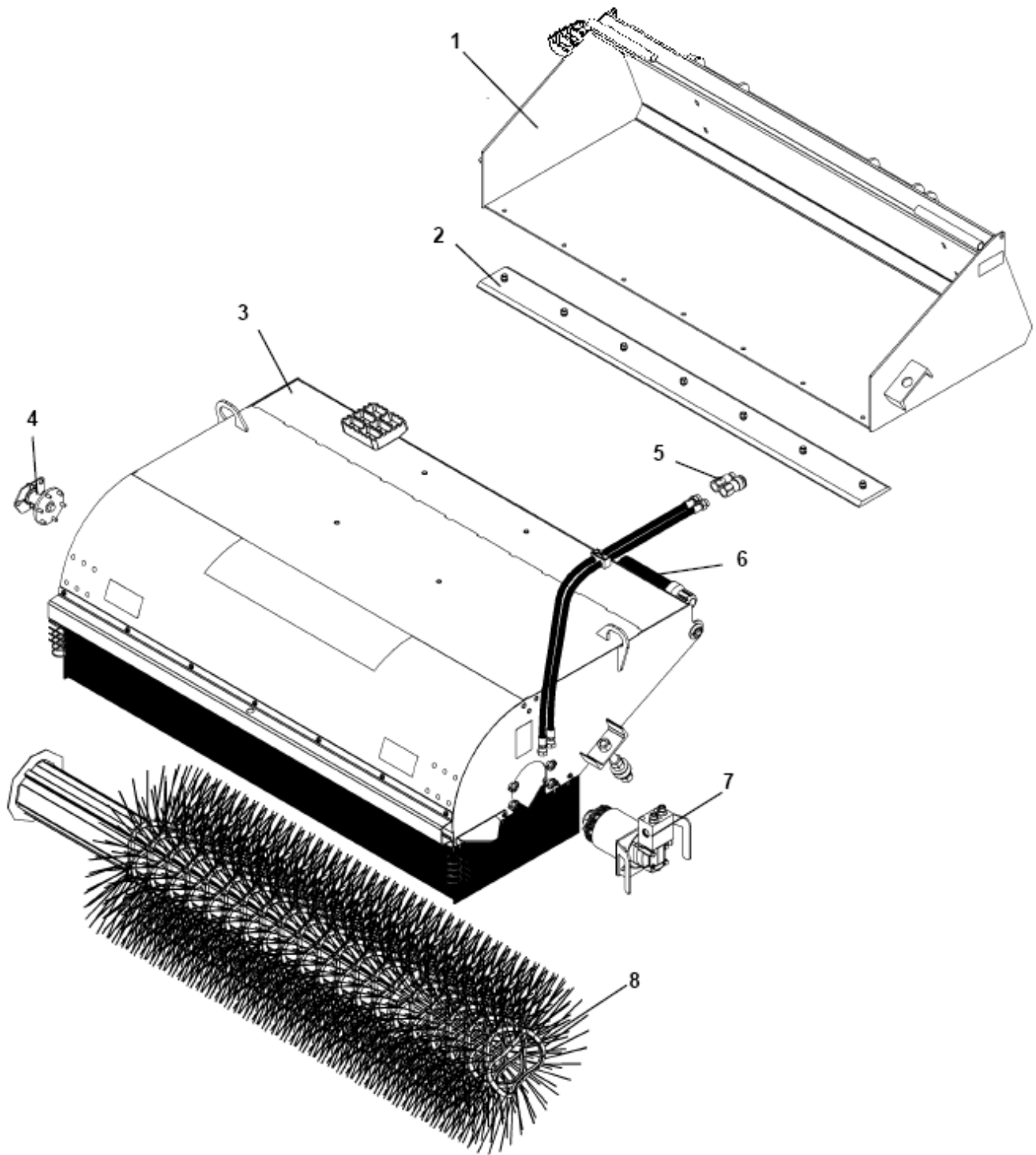
| | |
|-----------------|----|
| Verbiage Decals | 71 |
|-----------------|----|

5' Sweeper - 215 Series



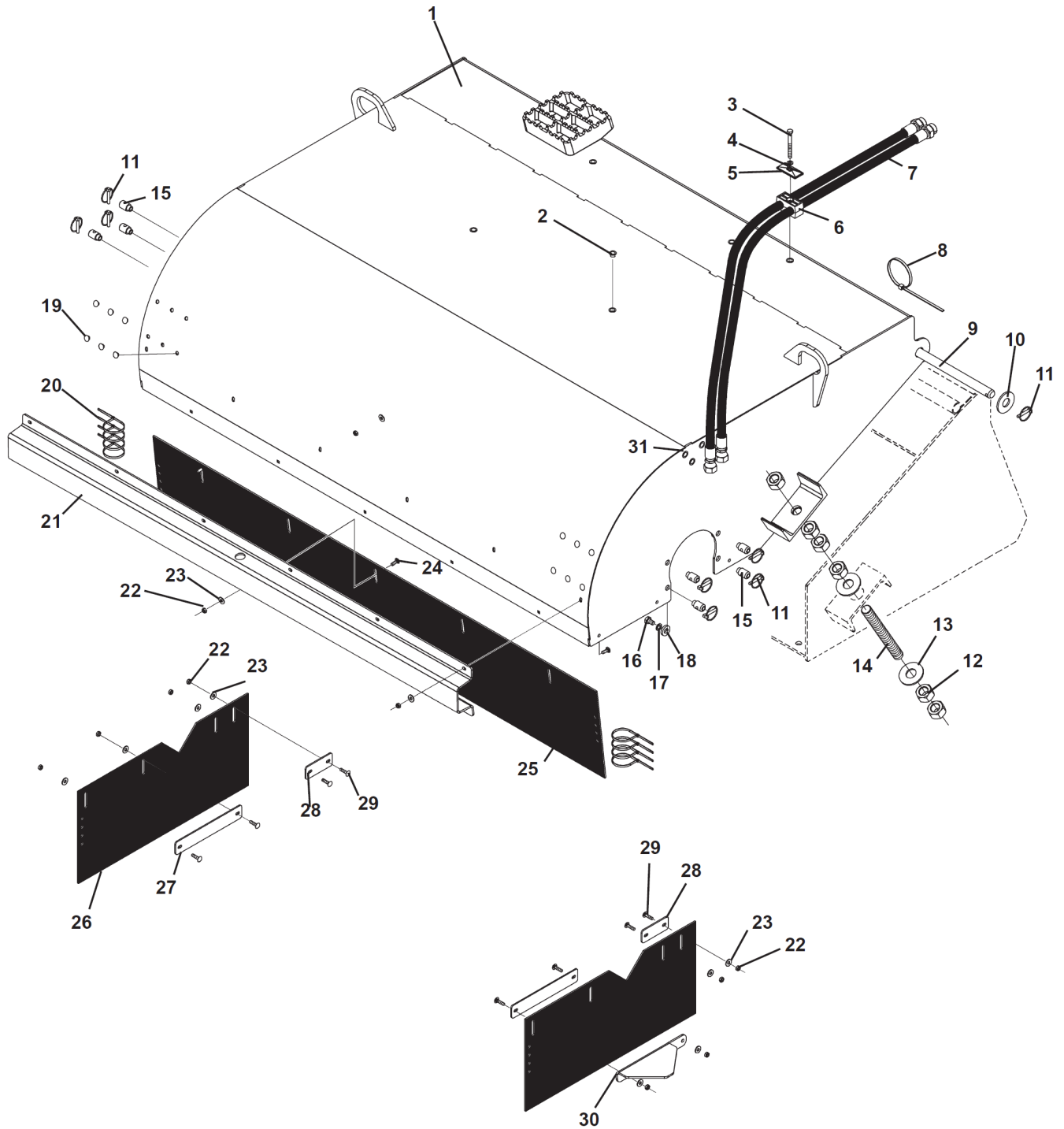
| Item | Qty | Part No. | Name | Additional Info |
|------|-----|-----------------|---|--------------------------|
| 1 | 1 | 13-17037-5-0022 | Bucket (Universal Skid Steer Loader Mounting) | |
| 1 | 1 | CALL FACTORY | For All Other Mounting Applications | |
| 2 | 1 | 28-10578-5 | Cutting Edge Assembly | |
| 3 | 1 | 28-11070-60 | Body Assembly - 5' | |
| 4 | 1 | 28-10333 | Bearing Assembly | |
| 5 | 1 | 28-9570 | Quick Disconnect Kit - 28-9570 | |
| 6 | 1 | 07-8273 | Manual Storage Tube | |
| 6 | 2 | 07-1714 | .31" UNC X 1.00" Hex Capscrew - GR8 | |
| 6 | 2 | RHW8642 | .31" UNC Rivet Nut | |
| 7 | 1 | 28-11071-1 | Motor Assembly | 24.1 CID Hydraulic Motor |
| 8 | 1 | 28-10999-60 | Core Assembly | |

5' Sweeper - 215 Series



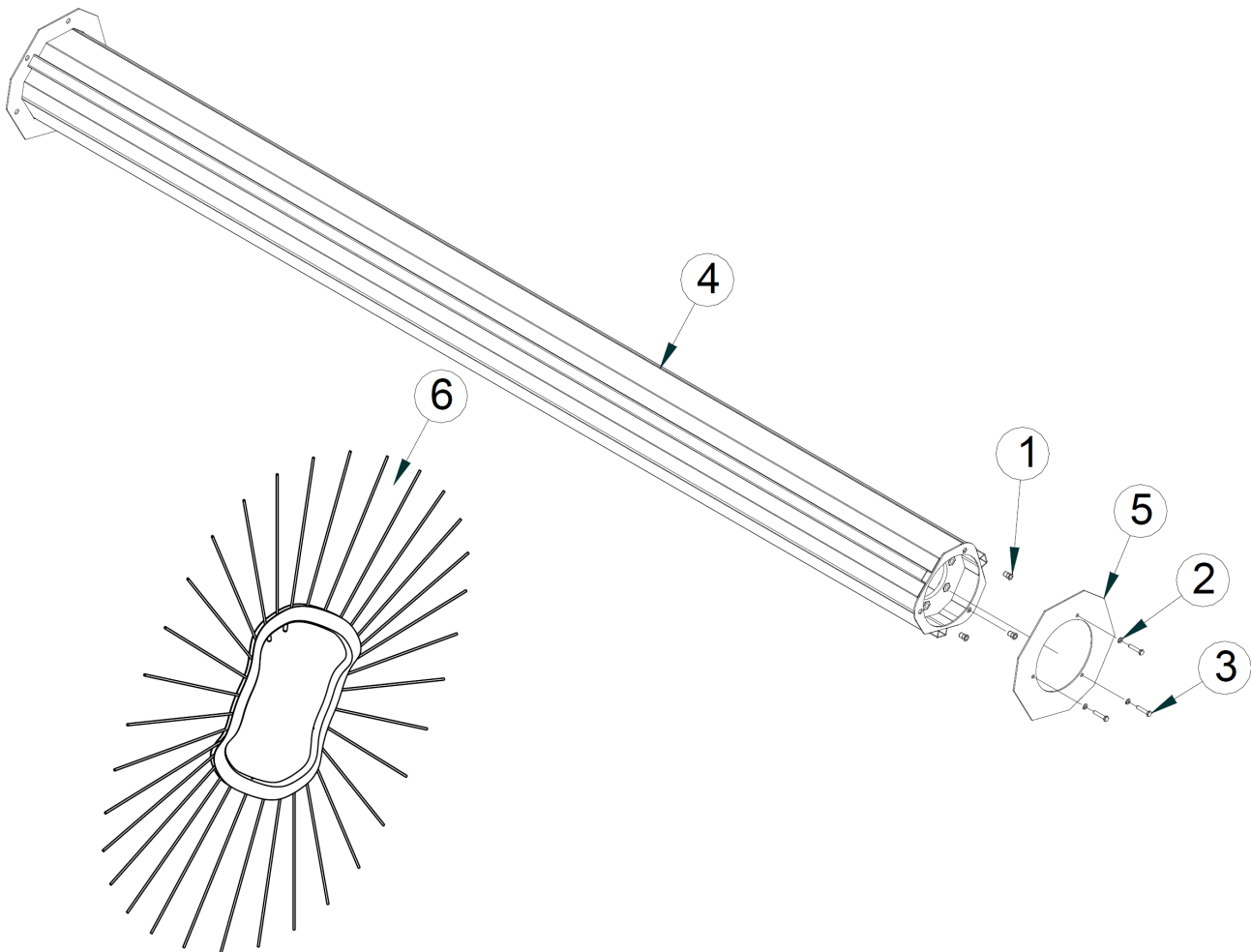
| Item | Qty | Part No. | Name | Additional Info |
|------|-----|-----------------|---|--------------------------|
| 1 | 1 | 13-17037-5-0022 | Bucket (Universal Skid Steer Loader Mounting) | |
| 1 | 1 | CALL FACTORY | For All Other Mounting Applications | |
| 2 | 1 | 28-10578-5 | Cutting Edge Assembly | |
| 3 | 1 | 28-11070-60 | Body Assembly - 5' | |
| 4 | 1 | 28-10333 | Bearing Assembly | |
| 5 | 1 | 28-9570 | Quick Disconnect Kit - 28-9570 | |
| 6 | 1 | 07-8273 | Manual Storage Tube | |
| 6 | 2 | 07-1714 | .31" UNC X 1.00" Hex Capscrew - GR8 | |
| 6 | 2 | RHW8642 | .31" UNC Rivet Nut | |
| 7 | 1 | 28-11071-2 | Motor Assembly | 18.7 CID Hydraulic Motor |
| 8 | 1 | 28-10999-60 | Core Assembly | |

5' Sweeper - 215 Series



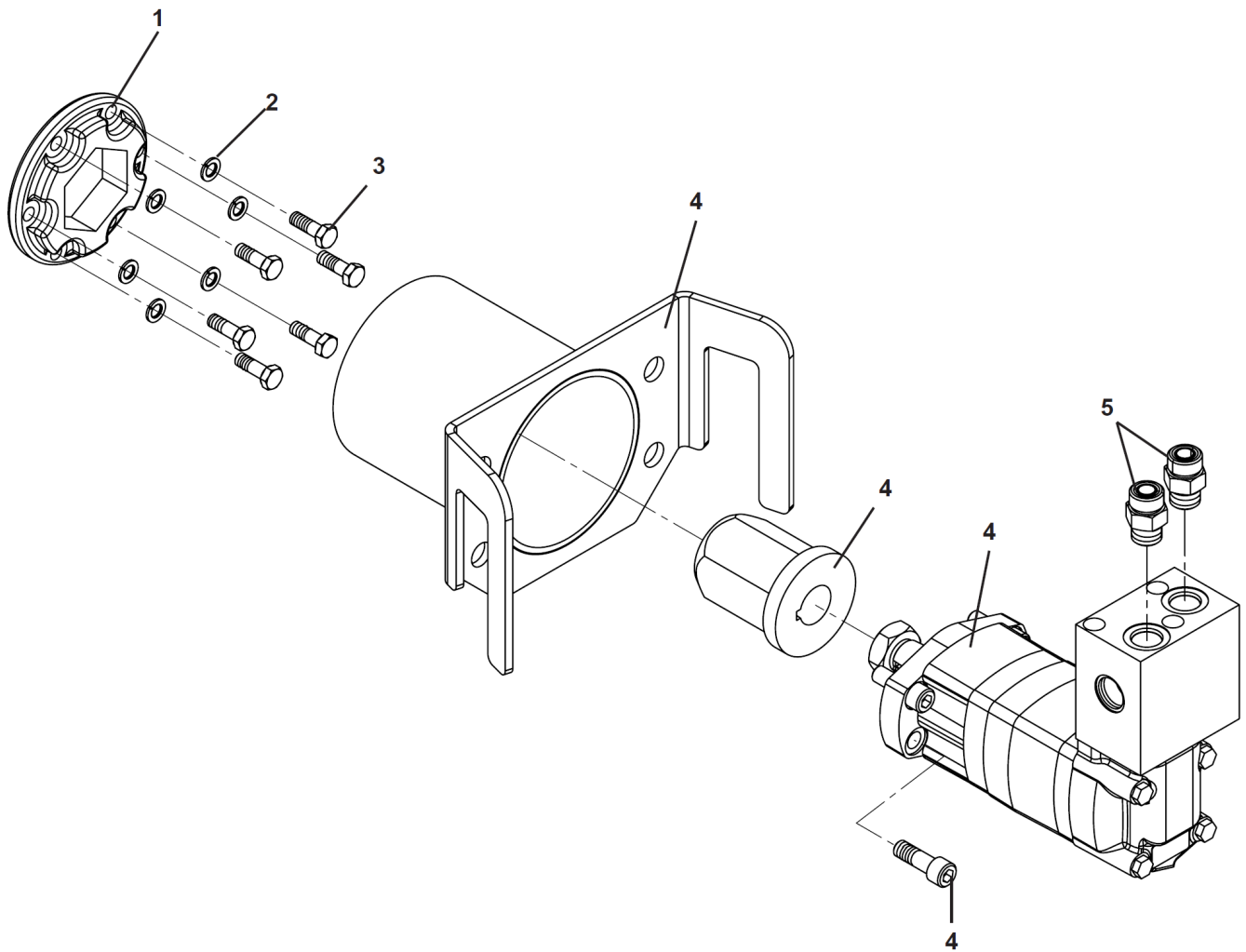
| Item | Qty | Part No. | Name | Additional Info |
|------|-----|--------------|--------------------------------------|-----------------|
| 1 | 1 | 13-20138-60 | Body - 5' | |
| 2 | 2 | RHW8645 | .31" Rivet Nut | |
| 3 | 1 | 07-3651 | .31" UNC X 3.00" Hex Capscrew - GR8 | |
| 4 | 1 | 07-3273 | .31" Lock Washer | |
| 5 | 1 | RHW8614 | Cover Plate | |
| 6 | 1 | RHW8616 | Hose Cradle | |
| 7 | 2 | 03-5653 | Hose .50" X 120" 10FFS-12MBo | |
| 8 | 8 | 07-1817 | Plastic Tie | |
| 9 | 1 | 13-17038-5 | Rod .88" X 63.50" | |
| 10 | 2 | 07-5451 | .88" Flat Washer - GR8 | |
| 11 | 9 | RHW8068-0000 | Lynch Pin - .25" | |
| 12 | 12 | 07-4035 | 1.00" UNC Hex Nut - GR8 | |
| 13 | 4 | 07-0159 | 1.00" Flat Washer | |
| 14 | 2 | 13-16240 | 1" UNC Threaded Rod | |
| 15 | 7 | 13-14083 | Motor Mounting Stud | |
| 16 | 7 | 07-8384 | M10-1.5 X 16mm Hex Capscrew - CL10.9 | |
| 17 | 7 | 07-3747 | M10 Lock Washer | |
| 18 | 7 | P852608 | .50" Hard Washer | |
| 19 | 12 | LAF9853 | .38" Plug - Plastic | |
| 20 | 8 | 07-0678 | Plastic Tie | |
| 21 | 1 | 13-20145-60 | Front Bumper Plate | |
| 22 | 19 | 07-5824 | .25" UNC Top Lock Hex Nut - GR C | |
| 23 | 19 | 07-4032 | .25" Flat Washer - GR8 | |
| 24 | 11 | 07-3690 | .25" UNC X .75" Carriage Bolt | |
| 25 | 1 | 13-17042-5 | Front Flap - 5' | |
| 26 | 2 | 13-17059 | Side Flap | |
| 27 | 2 | LAF8331 | Side Flap Retainer -Long | |
| 28 | 2 | LAF8330 | Side Flap Retainer - Short | |
| 29 | 8 | 07-3691 | .25" UNC X 1.00" Carriage Bolt | |
| 30 | 1 | 13-20146 | Side Bumper | |
| 31 | 9 | RHW8642 | .31" UNC Rivet Nut | |

5' Sweeper - 215 Series



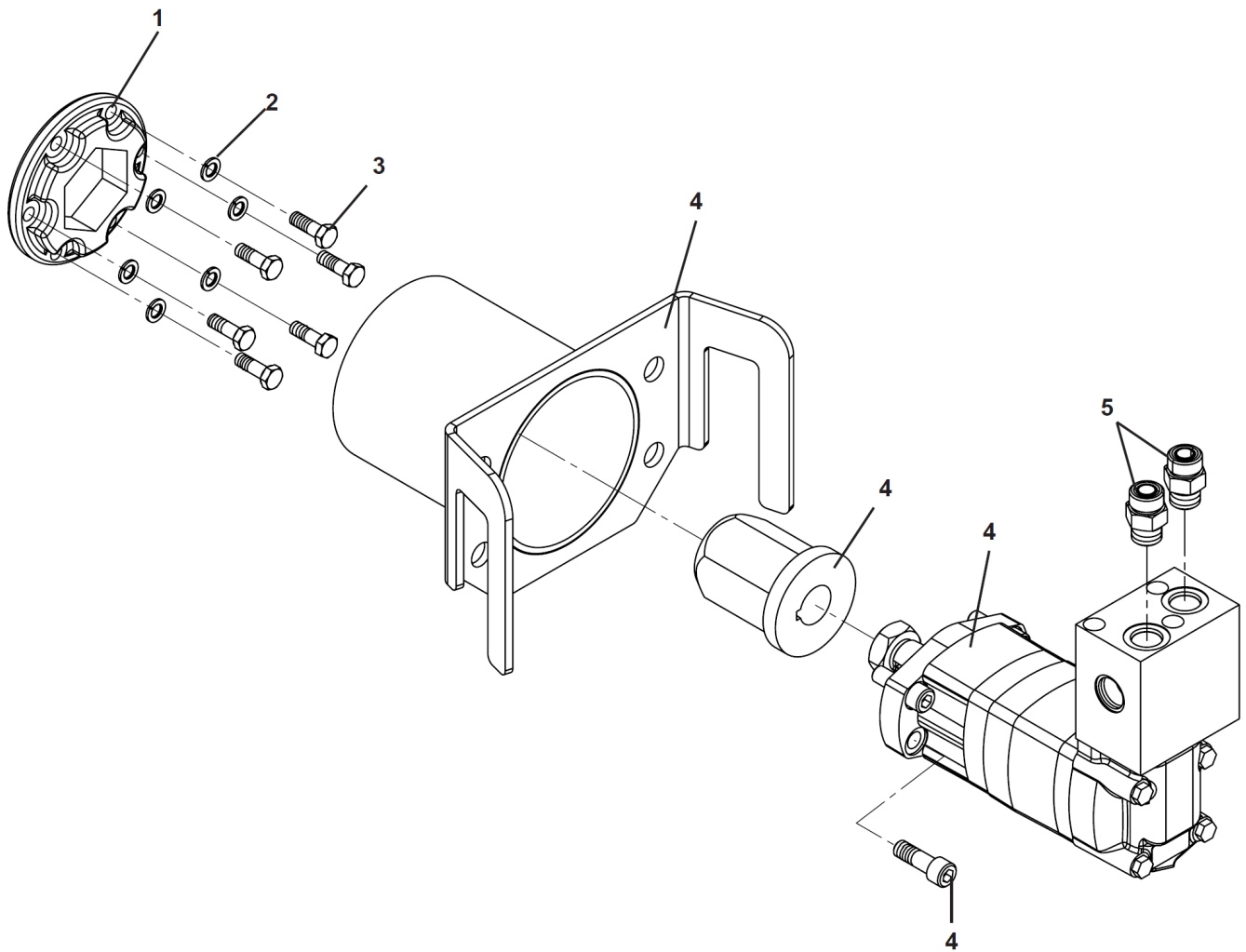
| Item | Qty | Part No. | Name | Additional Info |
|------|-----|-------------|-----------------------------------|---------------------------|
| 1 | 3 | 07-3617 | M6-1.00 Insert Nut | |
| 2 | 3 | 07-3730 | M6 Lock Washer | |
| 3 | 3 | 07-3731 | M6-1.0 X 30mm Hex Capscrew CL10.9 | |
| 4 | 1 | 13-19461-60 | Core 8" X 60" | |
| 5 | 1 | 13-15662 | Retainer Plate | |
| 6 | - | 01-1156 | 26" Brush Kit - Mixed | Includes 33 Mixed Brushes |
| 6 | - | 01-0873 | 26" Brush Kit - Poly | Includes 33 Poly Brushes |

5' Sweeper - 215 Series



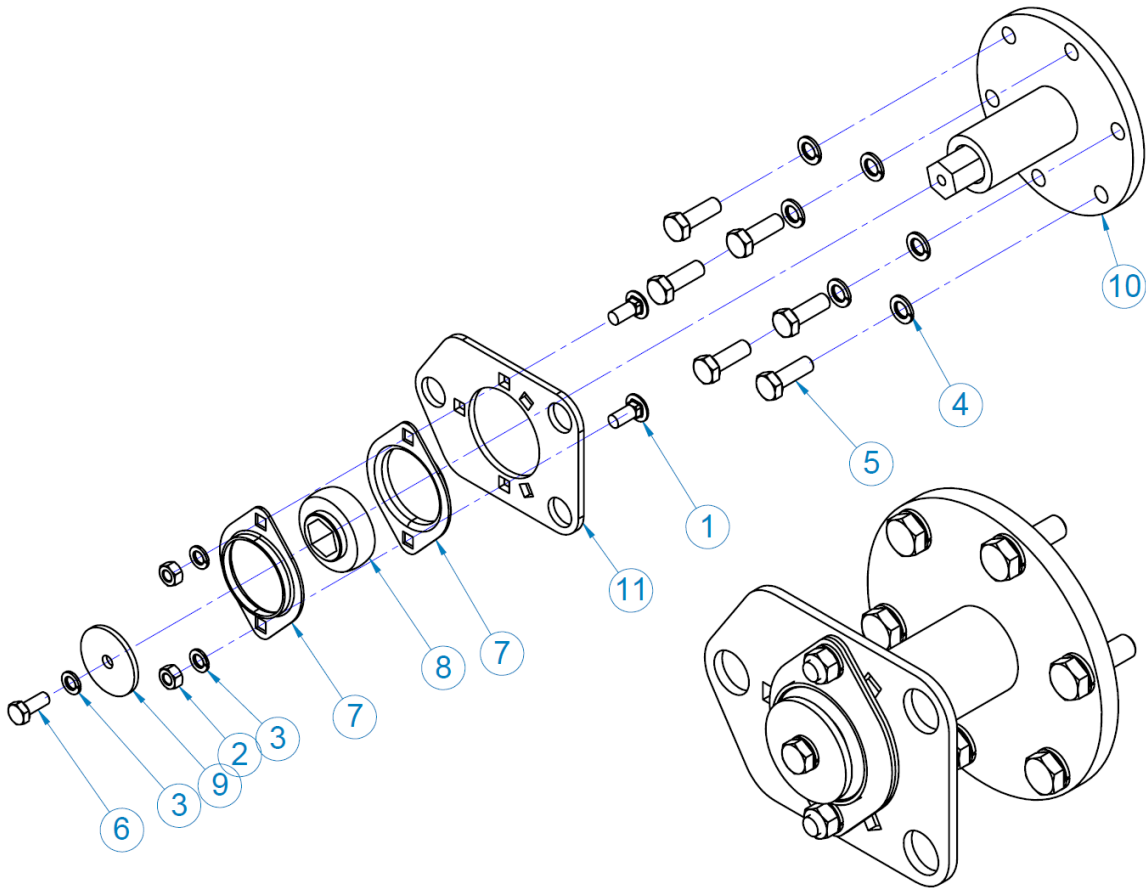
| Item | Qty | Part No. | Name | Additional Info |
|------|-----|------------|---|-----------------|
| 1 | 1 | 13-16225 | 2.50" Hex Receiver Plate | |
| 1.1 | 1 | 10787 | Hex Drive Kit (Includes Hex Receiver Plate and Hex Hub) | |
| 2 | 6 | 07-3747 | M10 Lock Washer | |
| 3 | 6 | 07-3749 | M10-1.5 X 30mm Hex Capscrew - CL10.9 | |
| 4 | 1 | 28-11089-1 | Motor Kit 24.1 CID | |
| 5 | 2 | 03-5901 | Fitting 10MBo-10MFS | |

5' Sweeper - 215 Series



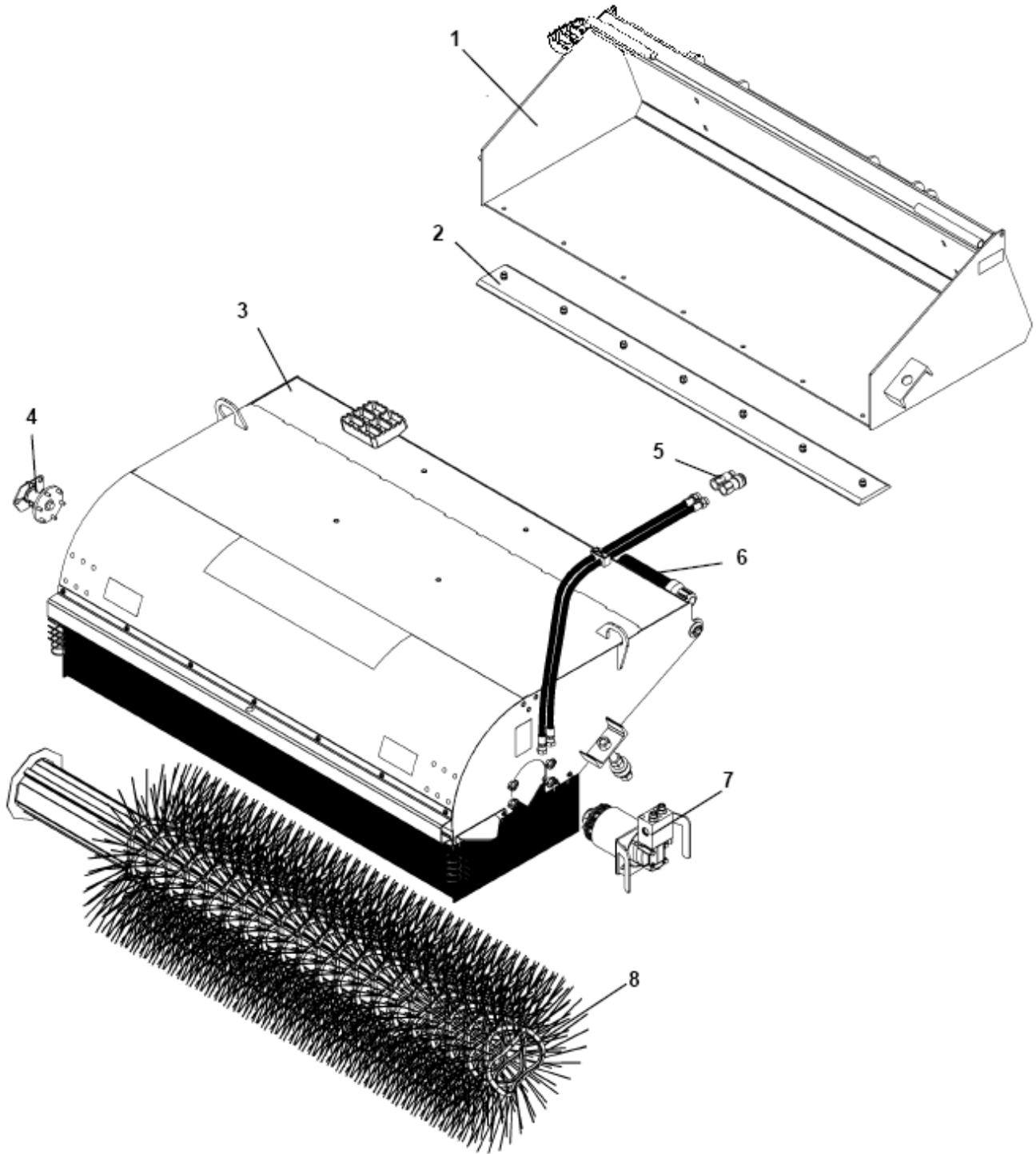
| Item | Qty | Part No. | Name | Additional Info |
|------|-----|------------|---|-----------------|
| 1 | 1 | 13-16225 | 2.50" Hex Receiver Plate | |
| 1.1 | 1 | 10787 | Hex Drive Kit (Includes Hex Receiver Plate and Hex Hub) | |
| 2 | 6 | 07-3747 | M10 Lock Washer | |
| 3 | 6 | 07-3749 | M10-1.5 X 30mm Hex Capscrew - CL10.9 | |
| 4 | 1 | 28-11089-2 | Motor Kit 18.7 CID | |
| 5 | 2 | 03-5901 | Fitting 10MBo-10MFS | |

5' Sweeper - 215 Series



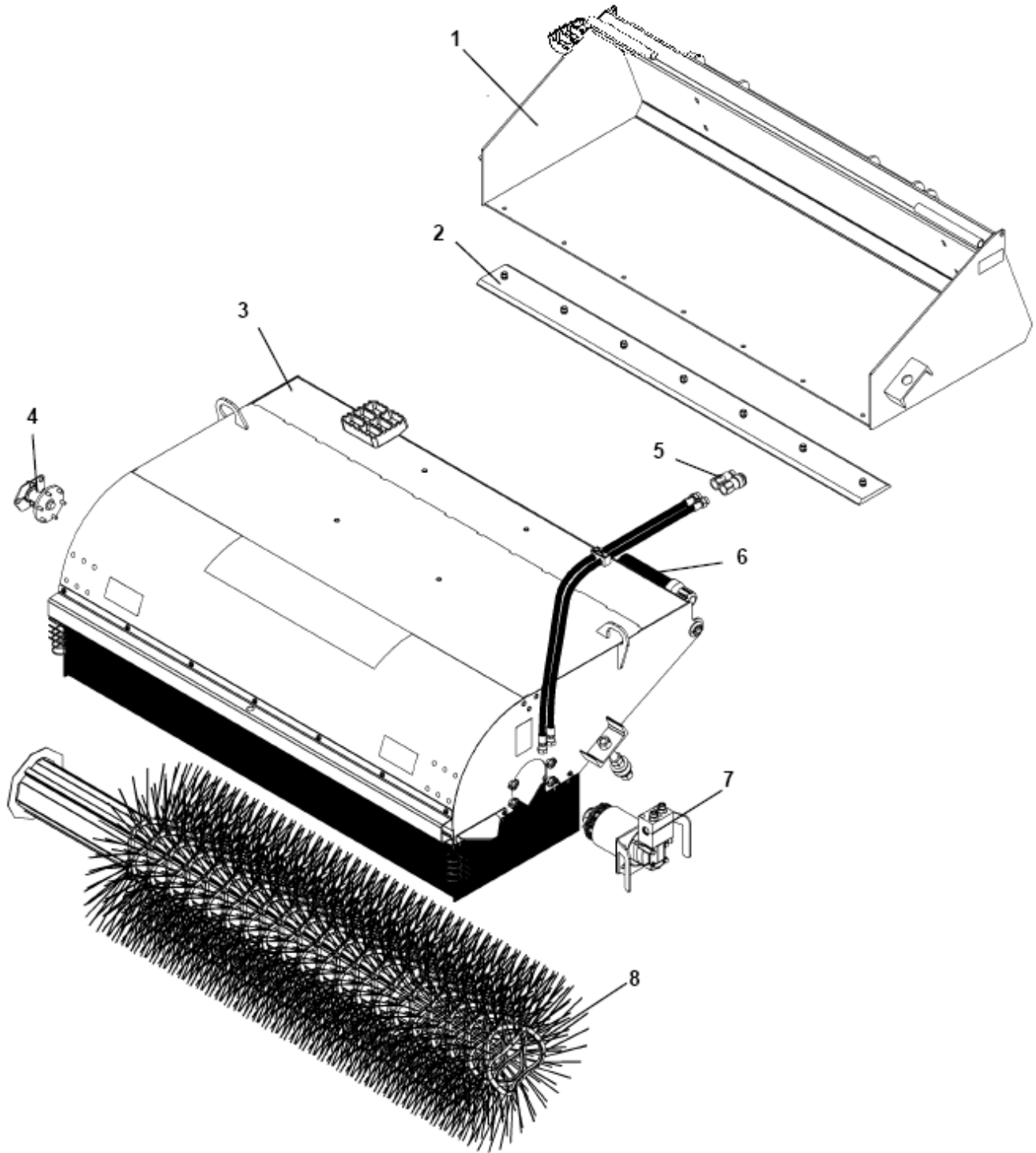
| Item | Qty | Part No. | Name | Additional Info |
|------|-----|----------|--|-----------------|
| 1 | 2 | 07-2950 | M8-1.25 X 20mm Carriage Bolt - CL8.8 | |
| 2 | 2 | 07-3737 | M8-1.25 Hex Nut - CL10 | |
| 3 | 3 | 07-3738 | M8 Lock Washer | |
| 4 | 6 | 07-3747 | M10 Lock Washer | |
| 5 | 6 | 07-8383 | M10-1.5 X 30mm Hex Capscrew - CL10.9 With Loctite | |
| 6 | 1 | 07-3777 | M8-1.25 X 20mm Hex Capscrew - CL10.9 | |
| 7 | 2 | 08-0005 | Flange Bearing | |
| 8 | 1 | 08-0037 | Bearing | |
| 9 | 1 | 13-11903 | .34" Flat Washer | |
| 10 | 1 | 13-16923 | Hex Shaft Idler - Bolt-On | |
| 11 | 1 | 13-17015 | Bearing Mounting Plate | |

6' Sweeper - 215 Series



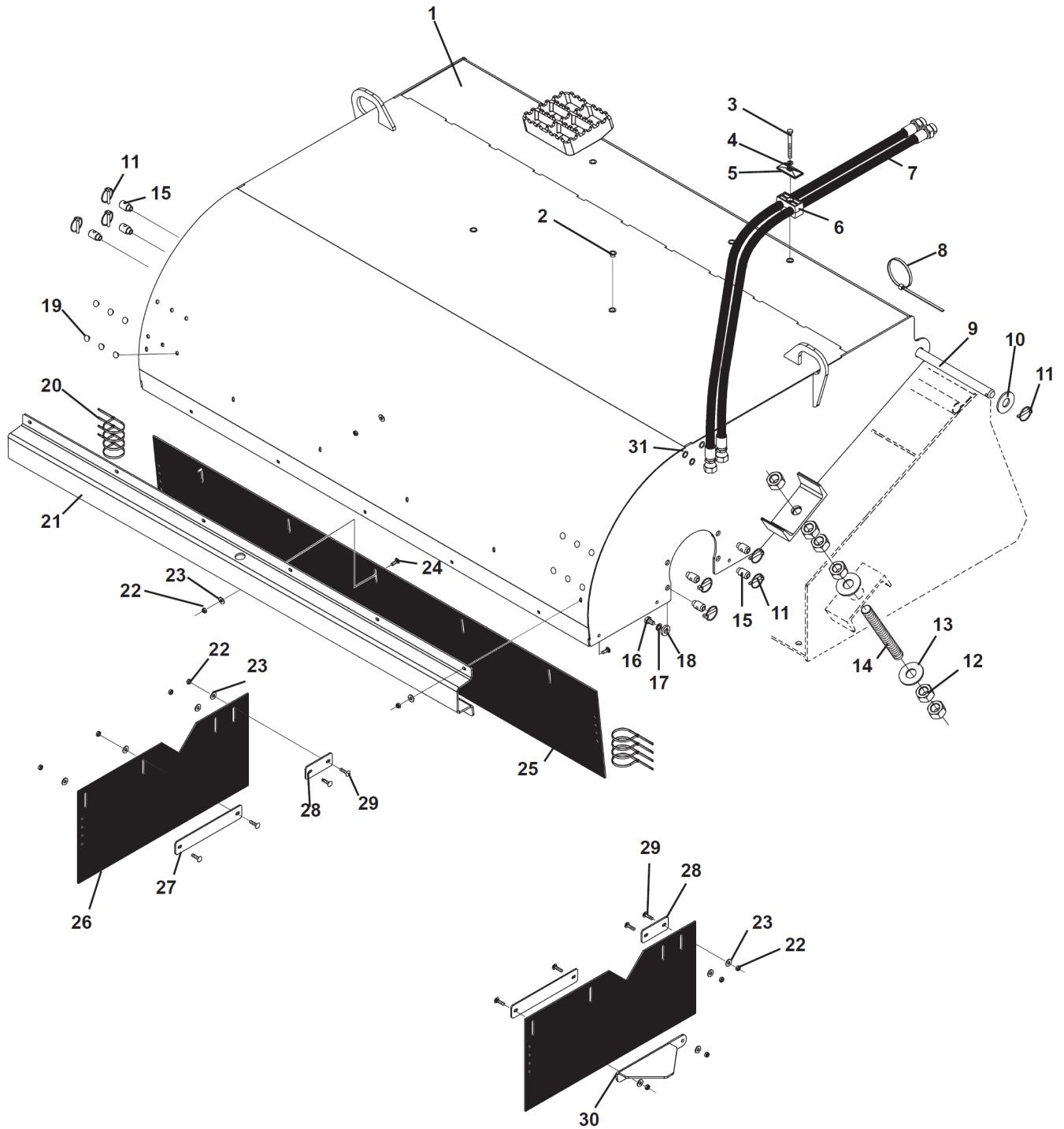
| Item | Qty | Part No. | Name | Additional Info |
|------|-----|-----------------|---|--------------------------|
| 1 | 1 | 13-17037-6-0022 | Bucket (Universal Skid Steer Loader Mounting) | |
| 1 | 1 | CALL FACTORY | For All Other Mounting Applications | |
| 2 | 1 | 28-10578-6 | Cutting Edge Assembly | |
| 3 | 1 | 28-11070-72 | Body Assembly - 6' | |
| 4 | 1 | 28-10333 | Bearing Assembly | |
| 5 | 1 | 28-9570 | Quick Disconnect Kit - 28-9570 | |
| 6 | 1 | 07-8273 | Manual Storage Tube | |
| 6 | 2 | 07-1714 | .31" UNC X 1.00" Hex Capscrew - GR8 | |
| 6 | 2 | RHW8642 | .31" UNC Rivet Nut | |
| 7 | 1 | 28-11071-1 | Motor Assembly | 24.1 CID Hydraulic Motor |
| 8 | 1 | 28-10999-72 | Core Assembly | |

6' Sweeper - 215 Series



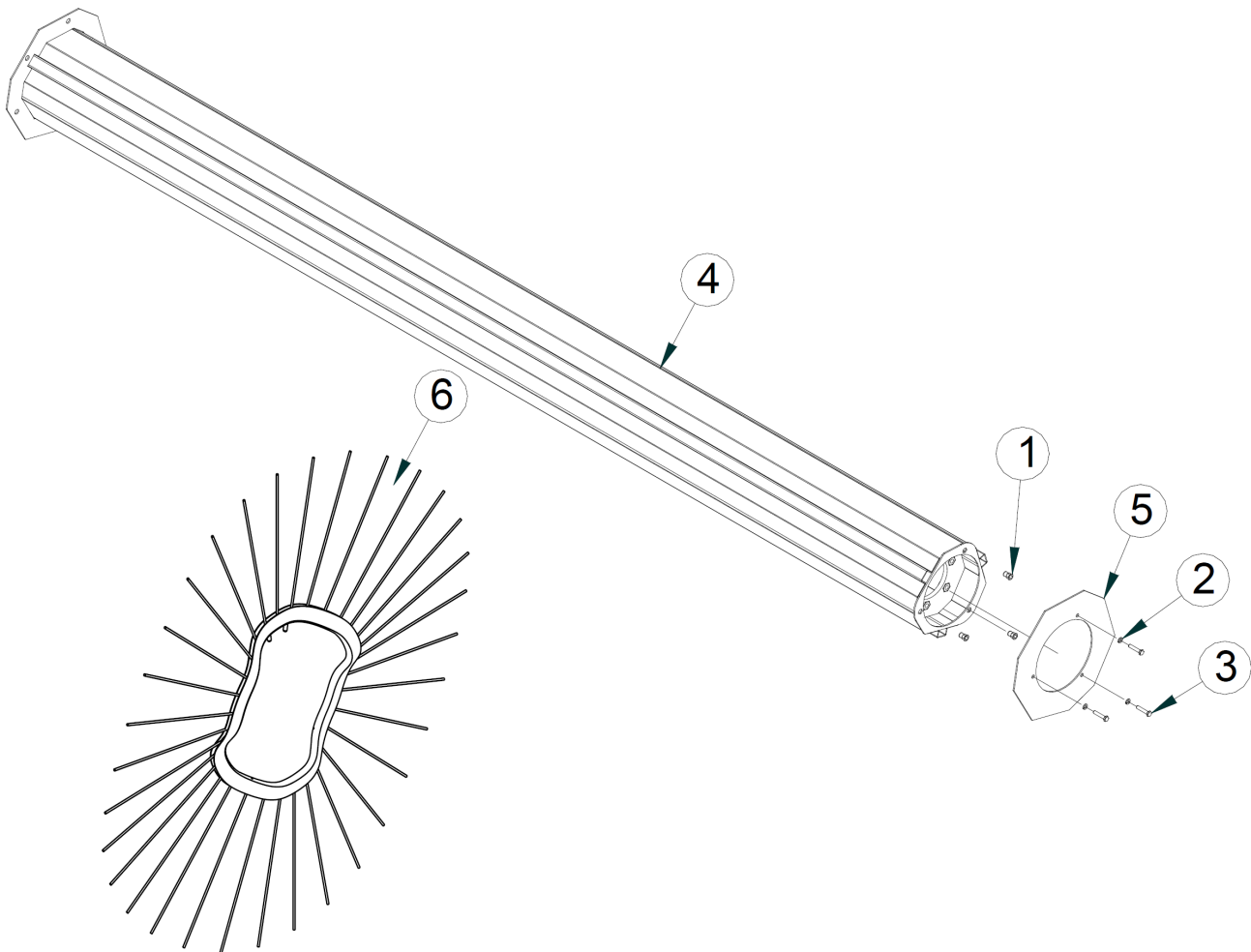
| Item | Qty | Part No. | Name | Additional Info |
|------|-----|-----------------|---|--------------------------|
| 1 | 1 | 13-17037-6-0022 | Bucket (Universal Skid Steer Loader Mounting) | |
| 1 | 1 | CALL FACTORY | For All Other Mounting Applications | |
| 2 | 1 | 28-10578-6 | Cutting Edge Assembly | |
| 3 | 1 | 28-11070-72 | Body Assembly - 6' | |
| 4 | 1 | 28-10333 | Bearing Assembly | |
| 5 | 1 | 28-9570 | Quick Disconnect Kit - 28-9570 | |
| 6 | 1 | 07-8273 | Manual Storage Tube | |
| 6 | 2 | 07-1714 | .31" UNC X 1.00" Hex Capscrew - GR8 | |
| 6 | 2 | RHW8642 | .31" UNC Rivet Nut | |
| 7 | 1 | 28-11071-2 | Motor Assembly | 18.7 CID Hydraulic Motor |
| 8 | 1 | 28-10999-72 | Core Assembly | |

6' Sweeper - 215 Series



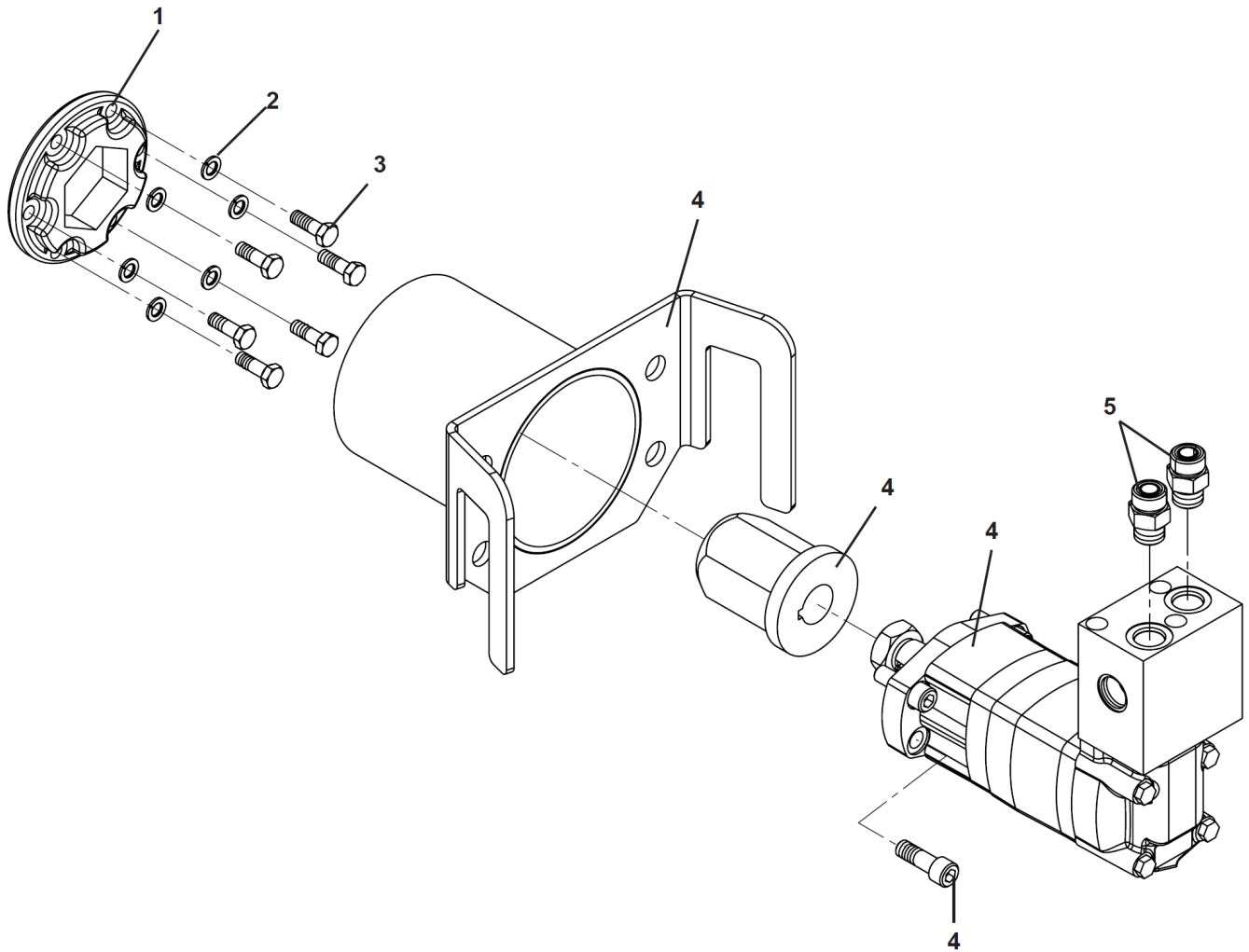
| Item | Qty | Part No. | Name | Additional Info |
|------|-----|--------------|--------------------------------------|-----------------|
| 1 | 1 | 13-20138-72 | Body - 6' | |
| 2 | 2 | RHW8645 | .31" Rivet Nut | |
| 3 | 1 | 07-3651 | .31" UNC X 3.00" Hex Capscrew - GR8 | |
| 4 | 1 | 07-3273 | .31" Lock Washer | |
| 5 | 1 | RHW8614 | Cover Plate | |
| 6 | 1 | RHW8616 | Hose Cradle | |
| 7 | 2 | 03-5653 | Hose .50" X 120" 10FFS-12MBo | |
| 8 | 8 | 07-1817 | Plastic Tie | |
| 9 | 1 | 13-17038-6 | Rod .88" X 75.50" | |
| 10 | 2 | 07-5451 | .88" Flat Washer - GR8 | |
| 11 | 9 | RHW8068-0000 | Lynch Pin - .25" | |
| 12 | 12 | 07-4035 | 1.00" UNC Hex Nut - GR8 | |
| 13 | 4 | 07-0159 | 1.00" Flat Washer | |
| 14 | 2 | 13-16240 | 1" UNC Threaded Rod | |
| 15 | 7 | 13-14083 | Motor Mounting Stud | |
| 16 | 7 | 07-8384 | M10-1.5 X 16mm Hex Capscrew - CL10.9 | |
| 17 | 7 | 07-3747 | M10 Lock Washer | |
| 18 | 7 | P852608 | .50" Hard Washer | |
| 19 | 12 | LAF9853 | .38" Plug - Plastic | |
| 20 | 8 | 07-0678 | Plastic Tie | |
| 21 | 1 | 13-20145-72 | Front Bumper Plate | |
| 22 | 21 | 07-5824 | .25" UNC Top Lock Hex Nut - GR C | |
| 23 | 21 | 07-4032 | .25" Flat Washer - GR8 | |
| 24 | 13 | 07-3690 | .25" UNC X .75" Carriage Bolt | |
| 25 | 1 | 13-17042-6 | Front Flap - 6' | |
| 26 | 2 | 13-17059 | Side Flap | |
| 27 | 2 | LAF8331 | Side Flap Retainer -Long | |
| 28 | 2 | LAF8330 | Side Flap Retainer - Short | |
| 29 | 8 | 07-3691 | .25" UNC X 1.00" Carriage Bolt | |
| 30 | 1 | 13-20146 | Side Bumper | |
| 31 | 9 | RHW8642 | .31" UNC Rivet Nut | |

6' Sweeper - 215 Series



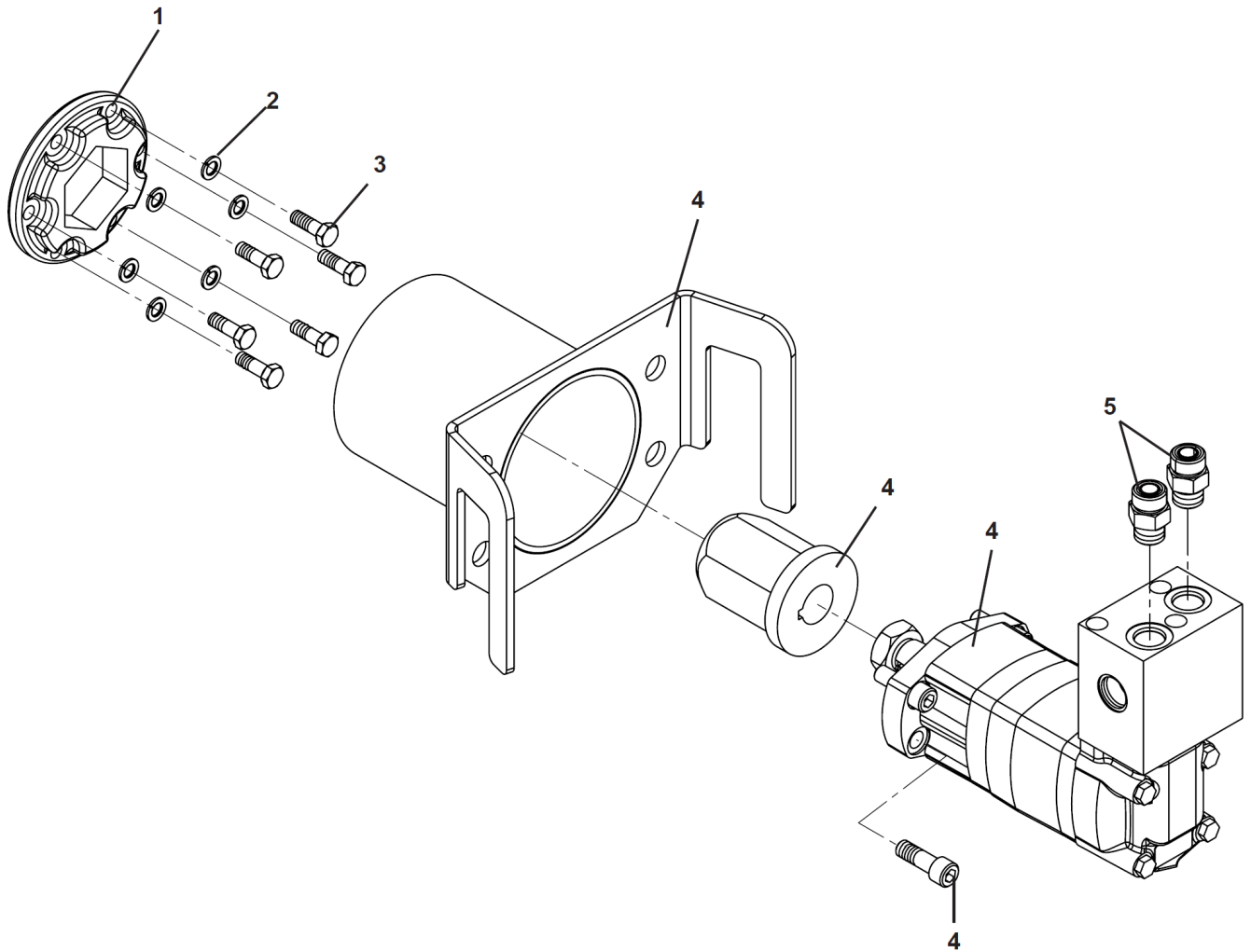
| Item | Qty | Part No. | Name | Additional Info |
|------|-----|-------------|-----------------------------------|---------------------------|
| 1 | 3 | 07-3617 | M6-1.00 Insert Nut | |
| 2 | 3 | 07-3730 | M6 Lock Washer | |
| 3 | 3 | 07-3731 | M6-1.0 X 30mm Hex Capscrew CL10.9 | |
| 4 | 1 | 13-19461-72 | Core 8" X 72" | |
| 5 | 1 | 13-15662 | Retainer Plate | |
| 6 | - | 01-9371 | 26" Brush Kit - Mixed | Includes 40 Mixed Brushes |
| 6 | - | 01-9370 | 26" Brush Kit - Poly | Includes 40 Poly Brushes |

6' Sweeper - 215 Series



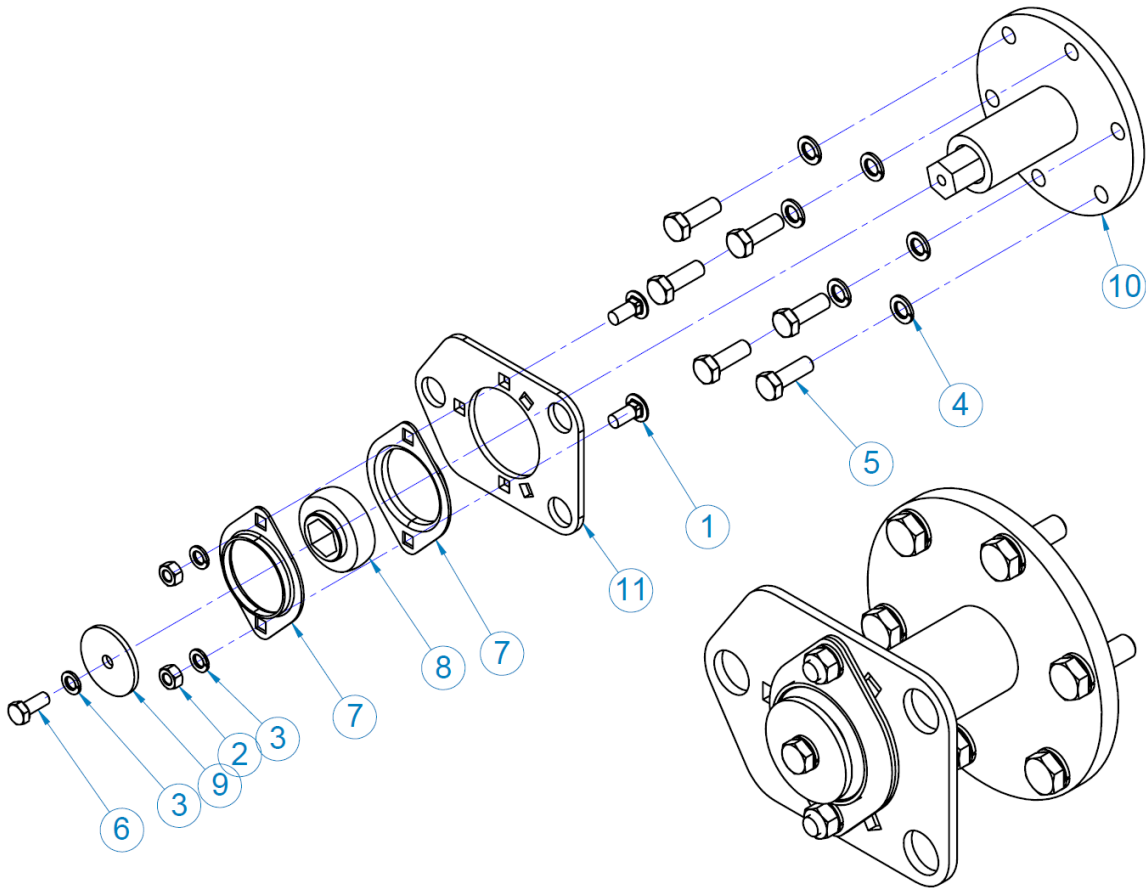
| Item | Qty | Part No. | Name | Additional Info |
|------|-----|------------|---|-----------------|
| 1 | 1 | 13-16225 | 2.50" Hex Receiver Plate | |
| 1.1 | 1 | 10787 | Hex Drive Kit (Includes Hex Receiver Plate and Hex Hub) | |
| 2 | 6 | 07-3747 | M10 Lock Washer | |
| 3 | 6 | 07-3749 | M10-1.5 X 30mm Hex Capscrew - CL10.9 | |
| 4 | 1 | 28-11089-1 | Motor Kit 24.1 CID | |
| 5 | 2 | 03-5901 | Fitting 10MBo-10MFS | |

6' Sweeper - 215 Series



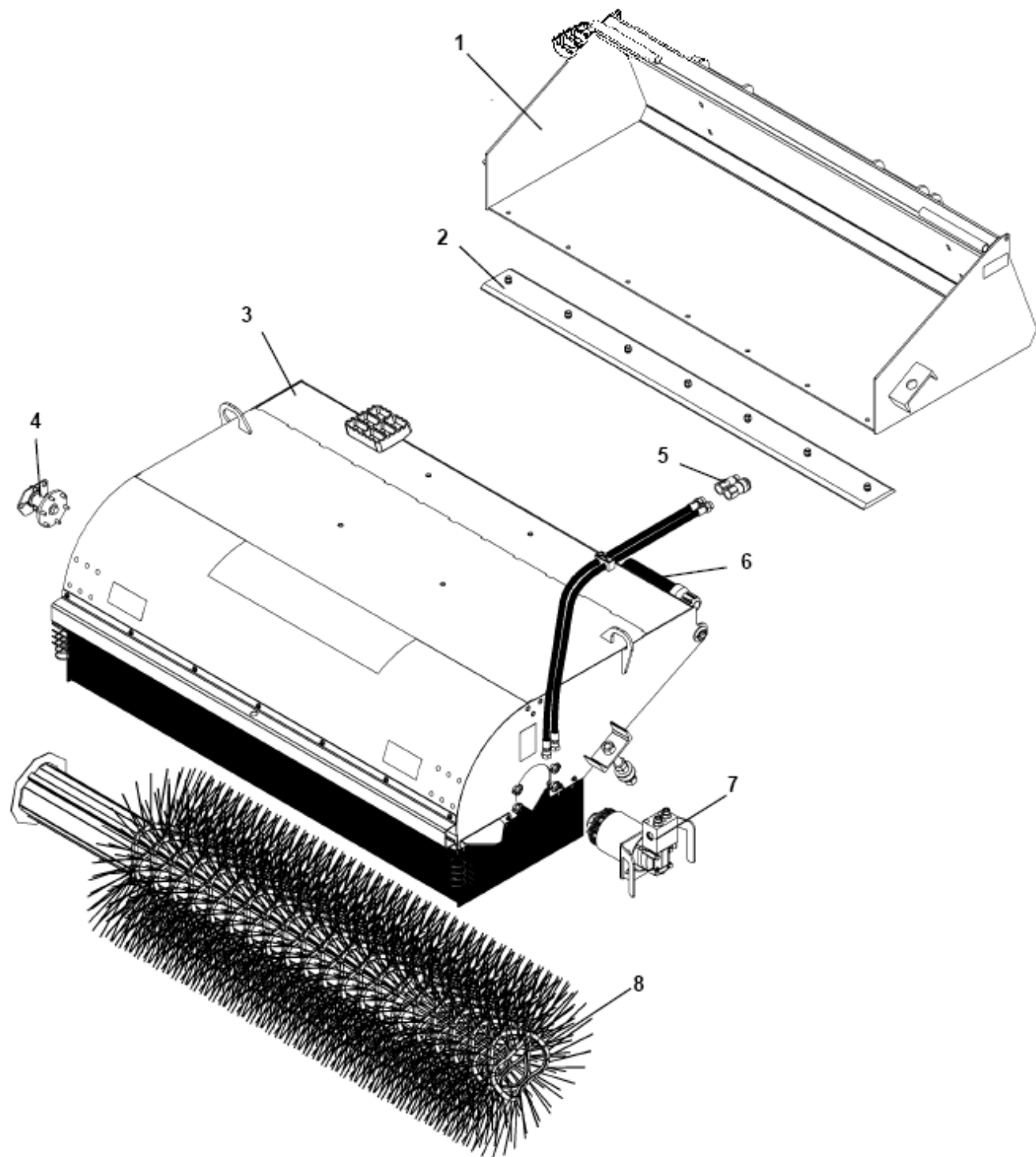
| Item | Qty | Part No. | Name | Additional Info |
|------|-----|------------|---|-----------------|
| 1 | 1 | 13-16225 | 2.50" Hex Receiver Plate | |
| 1.1 | 1 | 10787 | Hex Drive Kit (Includes Hex Receiver Plate and Hex Hub) | |
| 2 | 6 | 07-3747 | M10 Lock Washer | |
| 3 | 6 | 07-3749 | M10-1.5 X 30mm Hex Capscrew - CL10.9 | |
| 4 | 1 | 28-11089-2 | Motor Kit 18.7 CID | |
| 5 | 2 | 03-5901 | Fitting 10MBo-10MFS | |

6' Sweeper - 215 Series



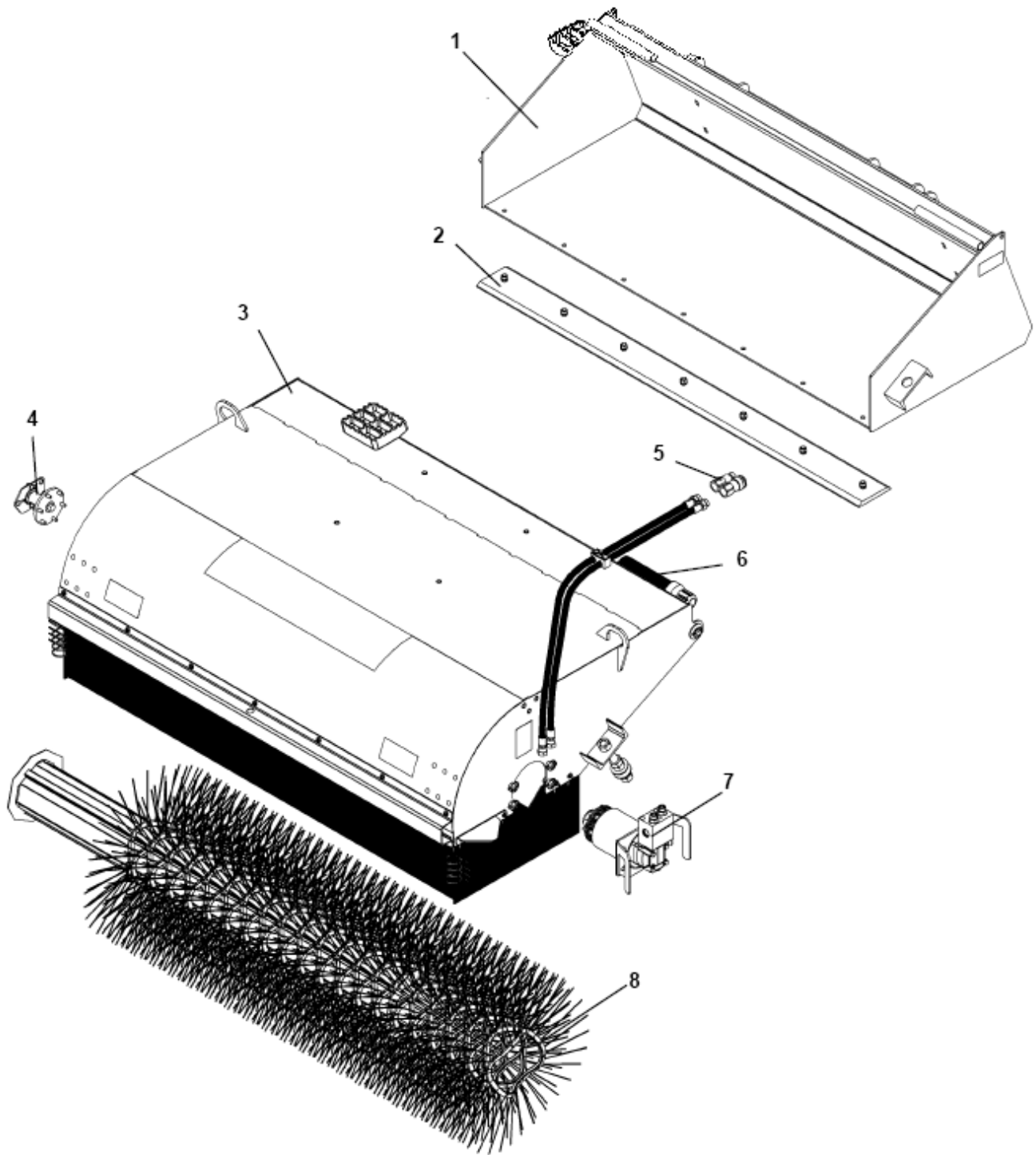
| Item | Qty | Part No. | Name | Additional Info |
|------|-----|----------|--|-----------------|
| 1 | 2 | 07-2950 | M8-1.25 X 20mm Carriage Bolt - CL8.8 | |
| 2 | 2 | 07-3737 | M8-1.25 Hex Nut - CL10 | |
| 3 | 3 | 07-3738 | M8 Lock Washer | |
| 4 | 6 | 07-3747 | M10 Lock Washer | |
| 5 | 6 | 07-8383 | M10-1.5 X 30mm Hex Capscrew - CL10.9 With Loctite | |
| 6 | 1 | 07-3777 | M8-1.25 X 20mm Hex Capscrew - CL10.9 | |
| 7 | 2 | 08-0005 | Flange Bearing | |
| 8 | 1 | 08-0037 | Bearing | |
| 9 | 1 | 13-11903 | .34" Flat Washer | |
| 10 | 1 | 13-16923 | Hex Shaft Idler - Bolt-On | |
| 11 | 1 | 13-17015 | Bearing Mounting Plate | |

7' Sweeper - 215 Series



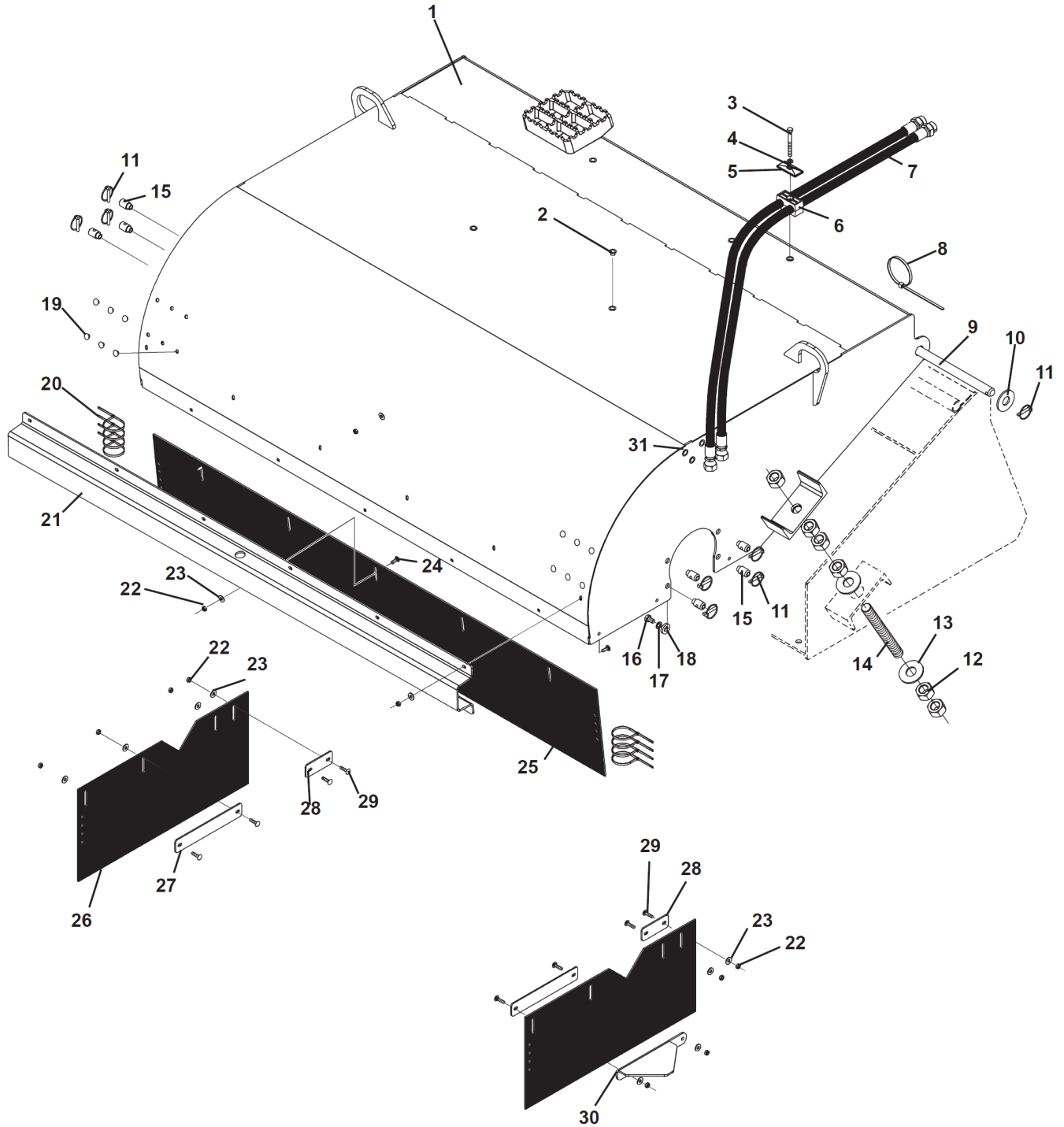
| Item | Qty | Part No. | Name | Additional Info |
|------|-----|-----------------|---|--------------------------|
| 1 | 1 | 13-17037-7-0022 | Bucket (Universal Skid Steer Loader Mounting) | |
| 1 | 1 | CALL FACTORY | For All Other Mounting Applications | |
| 2 | 1 | 28-10578-7 | Cutting Edge Assembly | |
| 3 | 1 | 28-11070-84 | Body Assembly - 7' | |
| 4 | 1 | 28-10333 | Bearing Assembly | |
| 5 | 1 | 28-9570 | Quick Disconnect Kit - 28-9570 | |
| 6 | 1 | 07-8273 | Manual Storage Tube | |
| 6 | 2 | 07-1714 | .31" UNC X 1.00" Hex Capscrew - GR8 | |
| 6 | 2 | RHW8642 | .31" UNC Rivet Nut | |
| 7 | 1 | 28-11071-1 | Motor Assembly | 24.1 CID Hydraulic Motor |
| 8 | 1 | 28-10999-84 | Core Assembly | |

7' Sweeper - 215 Series



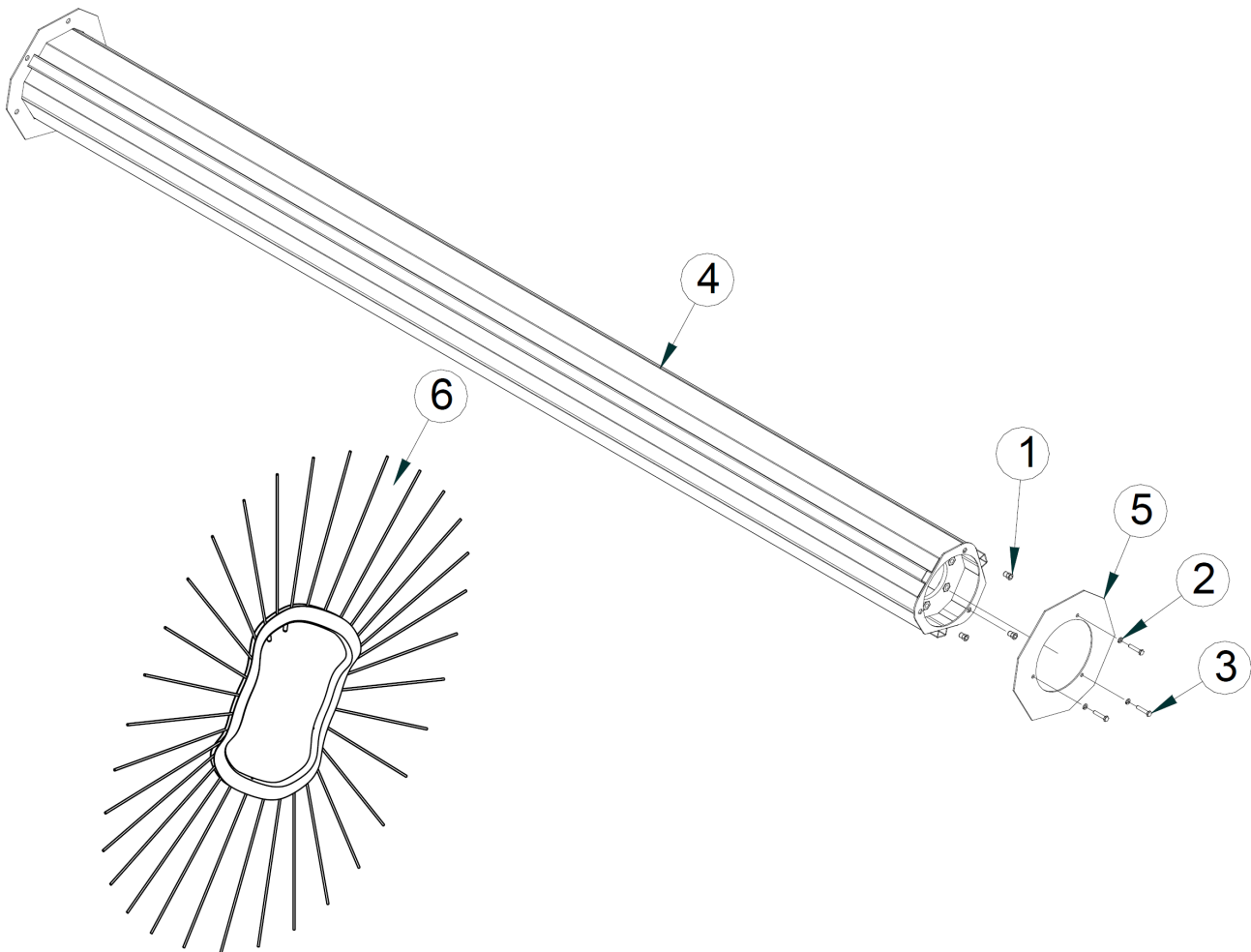
| Item | Qty | Part No. | Name | Additional Info |
|------|-----|-----------------|---|--------------------------|
| 1 | 1 | 13-17037-7-0022 | Bucket (Universal Skid Steer Loader Mounting) | |
| 1 | 1 | CALL FACTORY | For All Other Mounting Applications | |
| 2 | 1 | 28-10578-7 | Cutting Edge Assembly | |
| 3 | 1 | 28-11070-84 | Body Assembly - 7' | |
| 4 | 1 | 28-10333 | Bearing Assembly | |
| 5 | 1 | 28-9570 | Quick Disconnect Kit - 28-9570 | |
| 6 | 1 | 07-8273 | Manual Storage Tube | |
| 6 | 2 | 07-1714 | .31" UNC X 1.00" Hex Capscrew - GR8 | |
| 6 | 2 | RHW8642 | .31" UNC Rivet Nut | |
| 7 | 1 | 28-11071-2 | Motor Assembly | 18.7 CID Hydraulic Motor |
| 8 | 1 | 28-10999-84 | Core Assembly | |

7' Sweeper - 215 Series



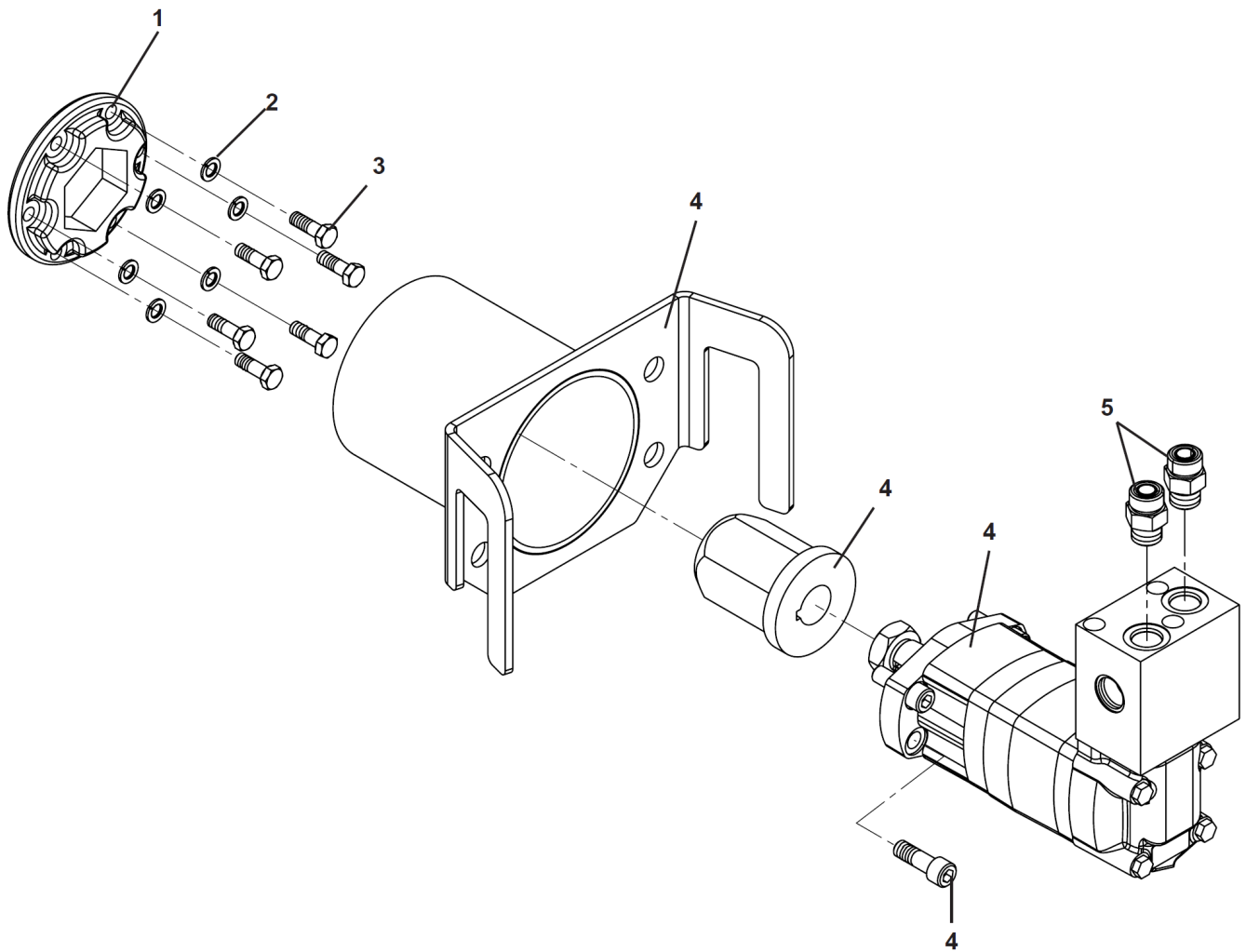
| Item | Qty | Part No. | Name | Additional Info |
|------|-----|--------------|--------------------------------------|-----------------|
| 1 | 1 | 13-20138-84 | Body - 7' | |
| 2 | 2 | RHW8645 | .31" Rivet Nut | |
| 3 | 1 | 07-3651 | .31" UNC X 3.00" Hex Capscrew - GR8 | |
| 4 | 1 | 07-3273 | .31" Lock Washer | |
| 5 | 1 | RHW8614 | Cover Plate | |
| 6 | 1 | RHW8616 | Hose Cradle | |
| 7 | 2 | 03-5653 | Hose .50" X 120" 10FFS-12MBo | |
| 8 | 8 | 07-1817 | Plastic Tie | |
| 9 | 1 | 13-17038-7 | Rod .88" X 87.50" | |
| 10 | 2 | 07-5451 | .88" Flat Washer - GR8 | |
| 11 | 9 | RHW8068-0000 | Lynch Pin - .25" | |
| 12 | 12 | 07-4035 | 1.00" UNC Hex Nut - GR8 | |
| 13 | 4 | 07-0159 | 1.00" Flat Washer | |
| 14 | 2 | 13-16240 | 1" UNC Threaded Rod | |
| 15 | 7 | 13-14083 | Motor Mounting Stud | |
| 16 | 7 | 07-8384 | M10-1.5 X 16mm Hex Capscrew - CL10.9 | |
| 17 | 7 | 07-3747 | M10 Lock Washer | |
| 18 | 7 | P852608 | .50" Hard Washer | |
| 19 | 12 | LAF9853 | .38" Plug - Plastic | |
| 20 | 8 | 07-0678 | Plastic Tie | |
| 21 | 1 | 13-20145-84 | Front Bumper Plate | |
| 22 | 23 | 07-5824 | .25" UNC Top Lock Hex Nut - GR C | |
| 23 | 23 | 07-4032 | .25" Flat Washer - GR8 | |
| 24 | 15 | 07-3690 | .25" UNC X .75" Carriage Bolt | |
| 25 | 1 | 13-17042-7 | Front Flap - 7' | |
| 26 | 2 | 13-17059 | Side Flap | |
| 27 | 2 | LAF8331 | Side Flap Retainer -Long | |
| 28 | 2 | LAF8330 | Side Flap Retainer - Short | |
| 29 | 8 | 07-3691 | .25" UNC X 1.00" Carriage Bolt | |
| 30 | 1 | 13-20146 | Side Bumper | |
| 31 | 9 | RHW8642 | .31" UNC Rivet Nut | |

7' Sweeper - 215 Series



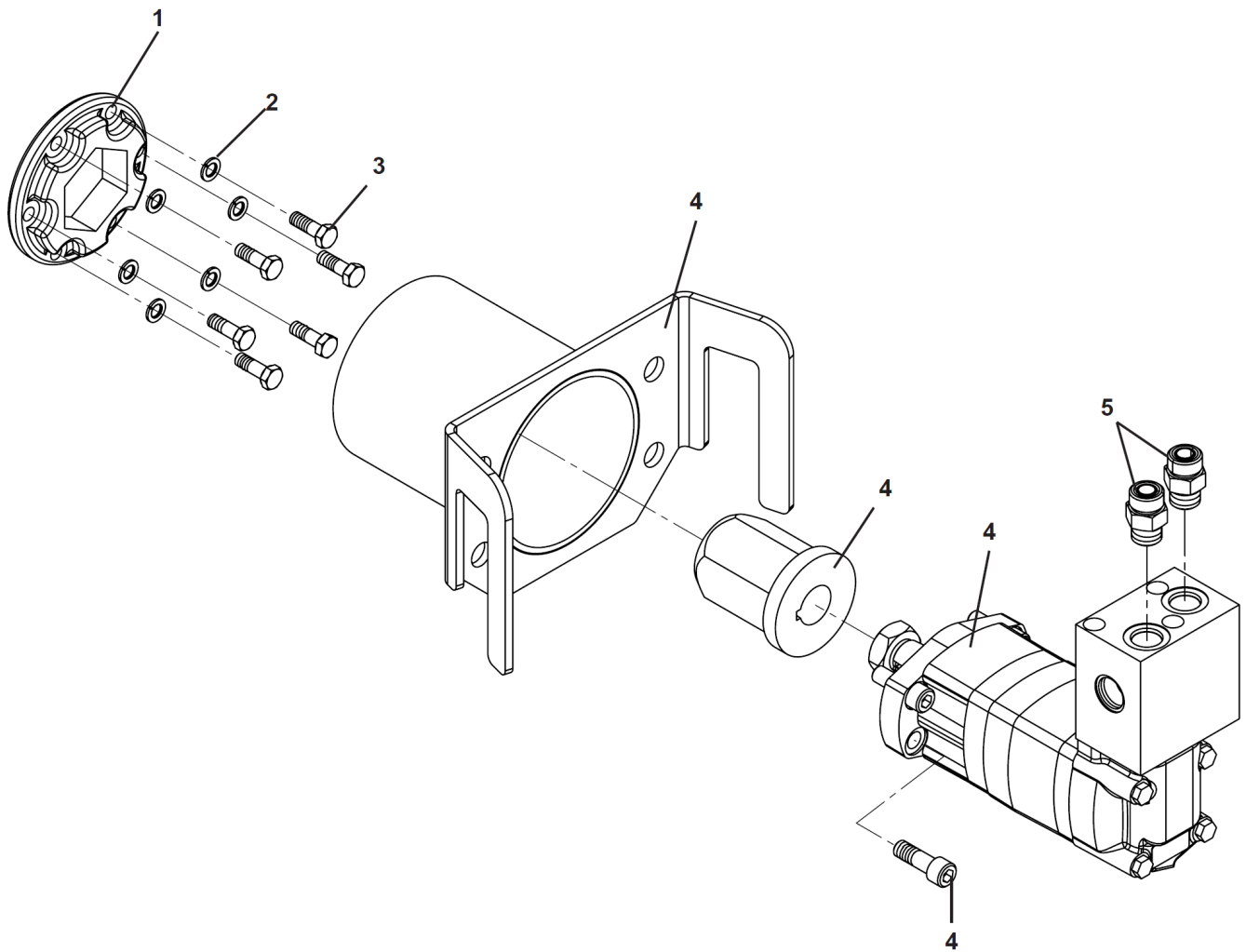
| Item | Qty | Part No. | Name | Additional Info |
|------|-----|-------------|-----------------------------------|---------------------------|
| 1 | 3 | 07-3617 | M6-1.00 Insert Nut | |
| 2 | 3 | 07-3730 | M6 Lock Washer | |
| 3 | 3 | 07-3731 | M6-1.0 X 30mm Hex Capscrew CL10.9 | |
| 4 | 1 | 13-19461-84 | Core 8" X 84" | |
| 5 | 1 | 13-15662 | Retainer Plate | |
| 6 | - | 01-9278 | 26" Brush Kit - Mixed | Includes 47 Mixed Brushes |
| 6 | - | 01-1163 | 26" Brush Kit - Poly | Includes 49 Poly Brushes |

7' Sweeper - 215 Series



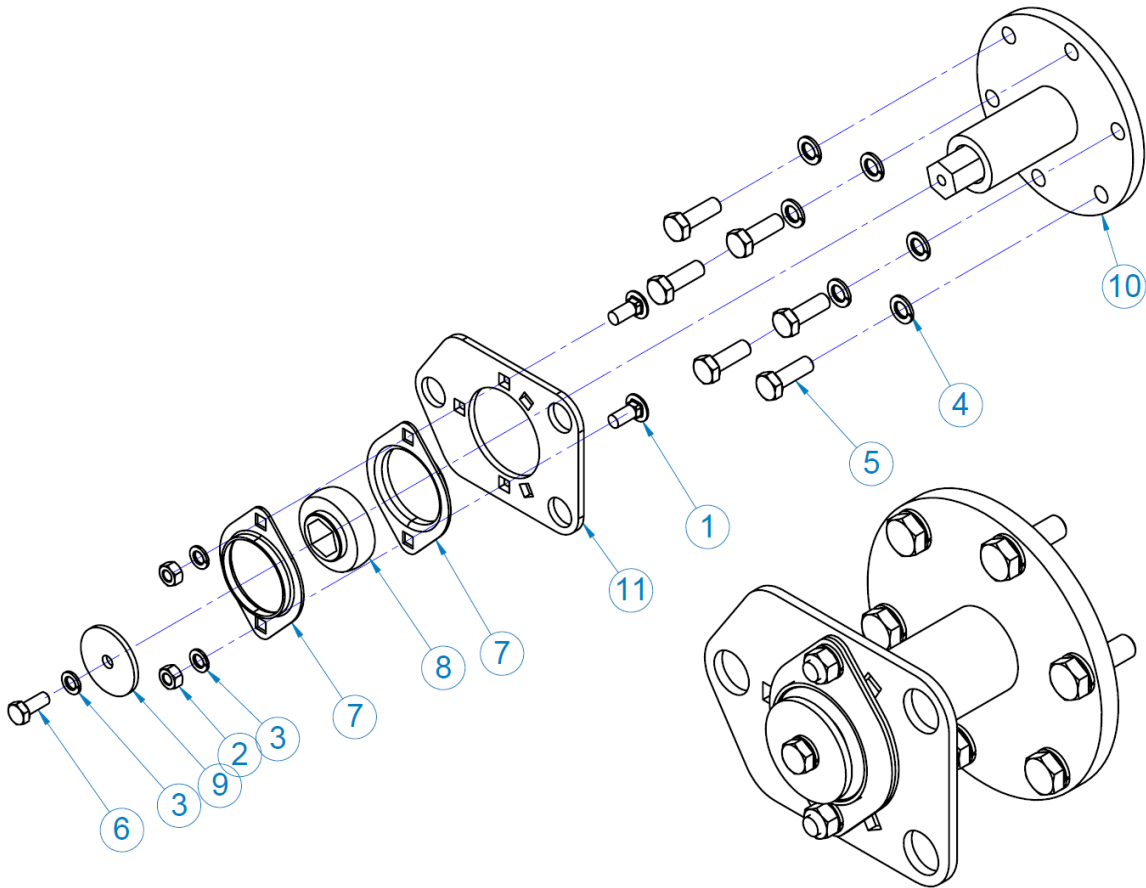
| Item | Qty | Part No. | Name | Additional Info |
|------|-----|------------|---|-----------------|
| 1 | 1 | 13-16225 | 2.50" Hex Receiver Plate | |
| 1.1 | 1 | 10787 | Hex Drive Kit (Includes Hex Receiver Plate and Hex Hub) | |
| 2 | 6 | 07-3747 | M10 Lock Washer | |
| 3 | 6 | 07-3749 | M10-1.5 X 30mm Hex Capscrew - CL10.9 | |
| 4 | 1 | 28-11089-1 | Motor Kit 24.1 CID | |
| 5 | 2 | 03-5901 | Fitting 10MBo-10MFS | |

7' Sweeper - 215 Series



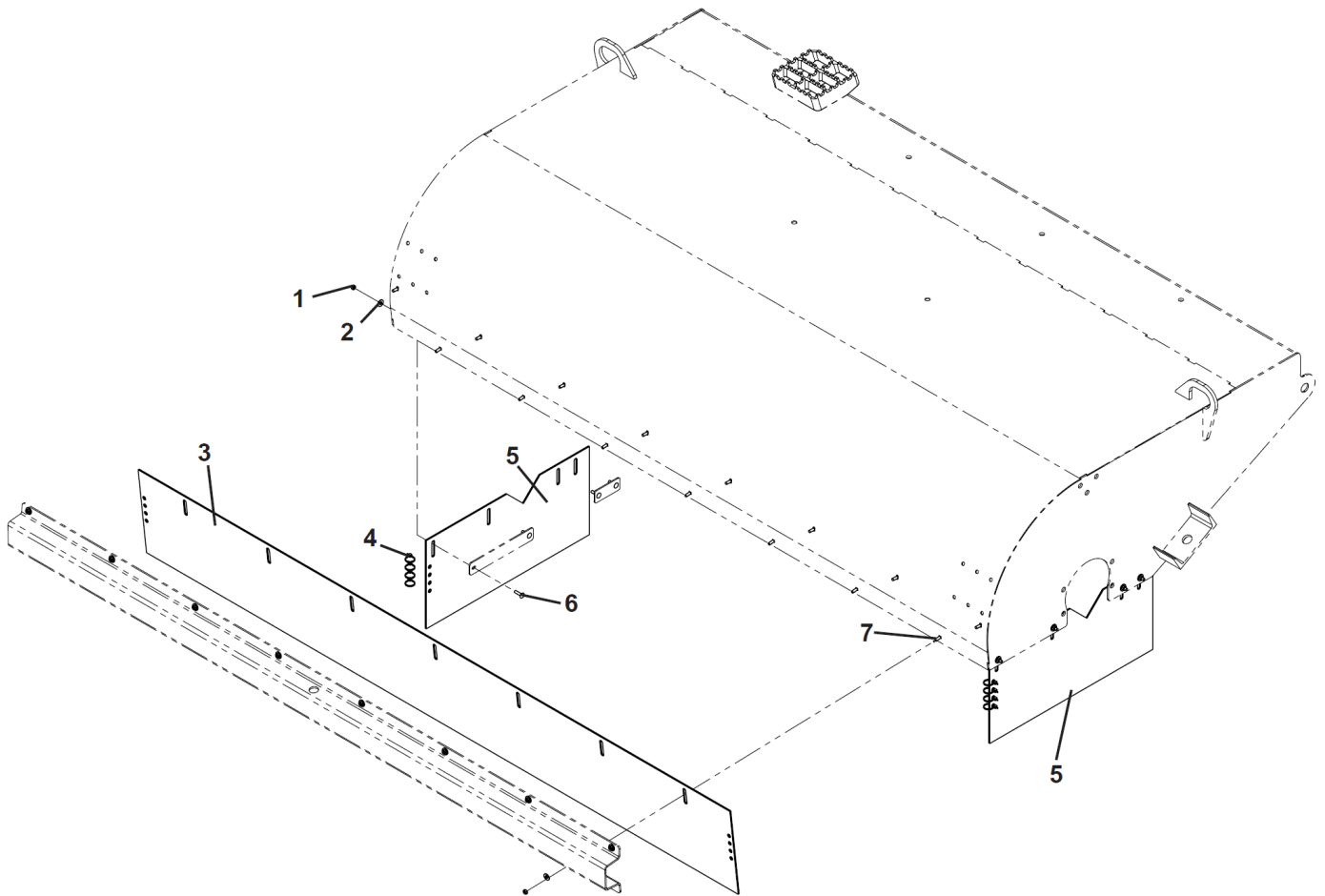
| Item | Qty | Part No. | Name | Additional Info |
|------|-----|------------|---|-----------------|
| 1 | 1 | 13-16225 | 2.50" Hex Receiver Plate | |
| 1.1 | 1 | 10787 | Hex Drive Kit (Includes Hex Receiver Plate and Hex Hub) | |
| 2 | 6 | 07-3747 | M10 Lock Washer | |
| 3 | 6 | 07-3749 | M10-1.5 X 30mm Hex Capscrew - CL10.9 | |
| 4 | 1 | 28-11089-2 | Motor Kit 18.7 CID | |
| 5 | 2 | 03-5901 | Fitting 10MBo-10MFS | |

7' Sweeper - 215 Series



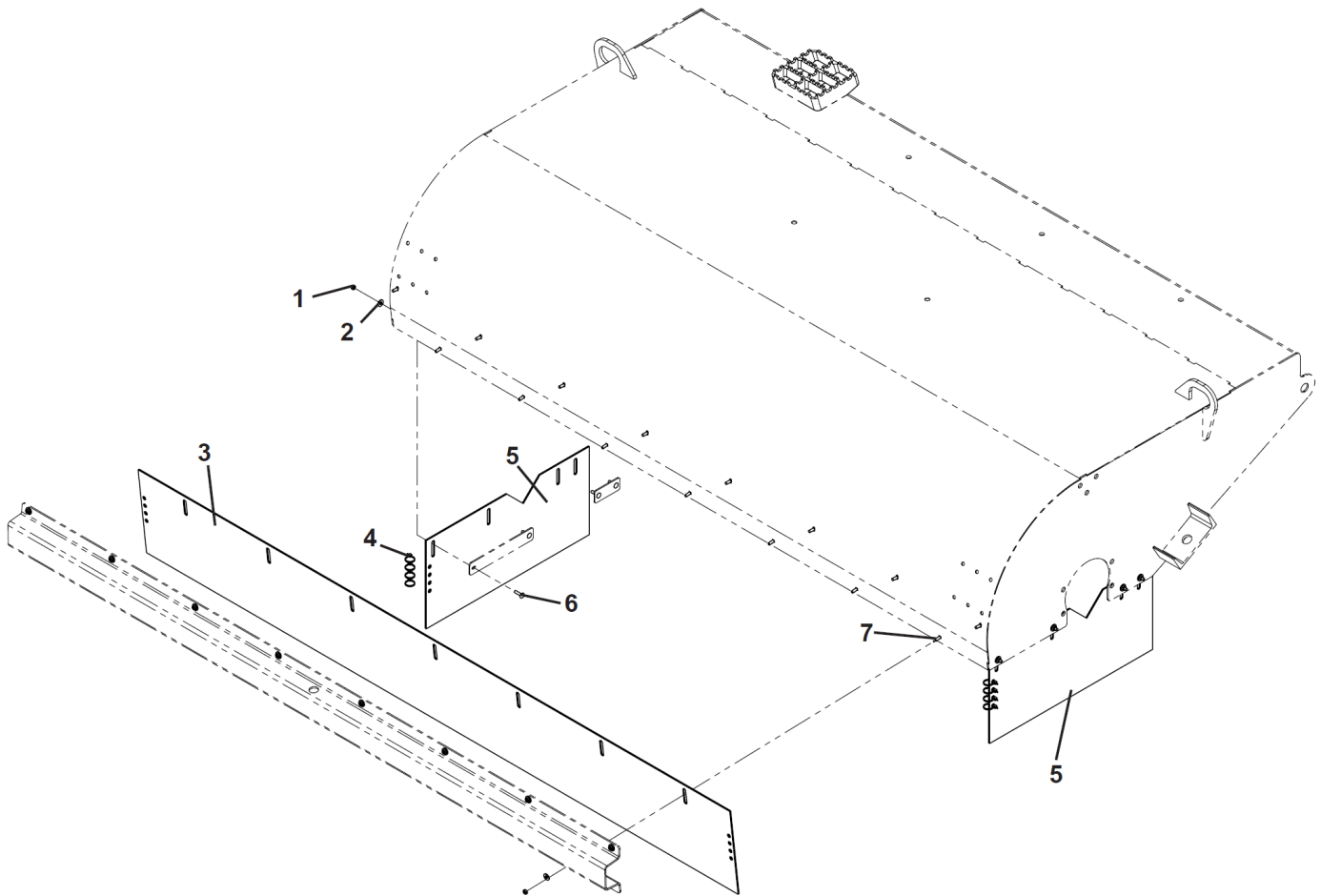
| Item | Qty | Part No. | Name | Additional Info |
|------|-----|----------|--|-----------------|
| 1 | 2 | 07-2950 | M8-1.25 X 20mm Carriage Bolt - CL8.8 | |
| 2 | 2 | 07-3737 | M8-1.25 Hex Nut - CL10 | |
| 3 | 3 | 07-3738 | M8 Lock Washer | |
| 4 | 6 | 07-3747 | M10 Lock Washer | |
| 5 | 6 | 07-8383 | M10-1.5 X 30mm Hex Capscrew - CL10.9 With Loctite | |
| 6 | 1 | 07-3777 | M8-1.25 X 20mm Hex Capscrew - CL10.9 | |
| 7 | 2 | 08-0005 | Flange Bearing | |
| 8 | 1 | 08-0037 | Bearing | |
| 9 | 1 | 13-11903 | .34" Flat Washer | |
| 10 | 1 | 13-16923 | Hex Shaft Idler - Bolt-On | |
| 11 | 1 | 13-17015 | Bearing Mounting Plate | |

Flap Kits



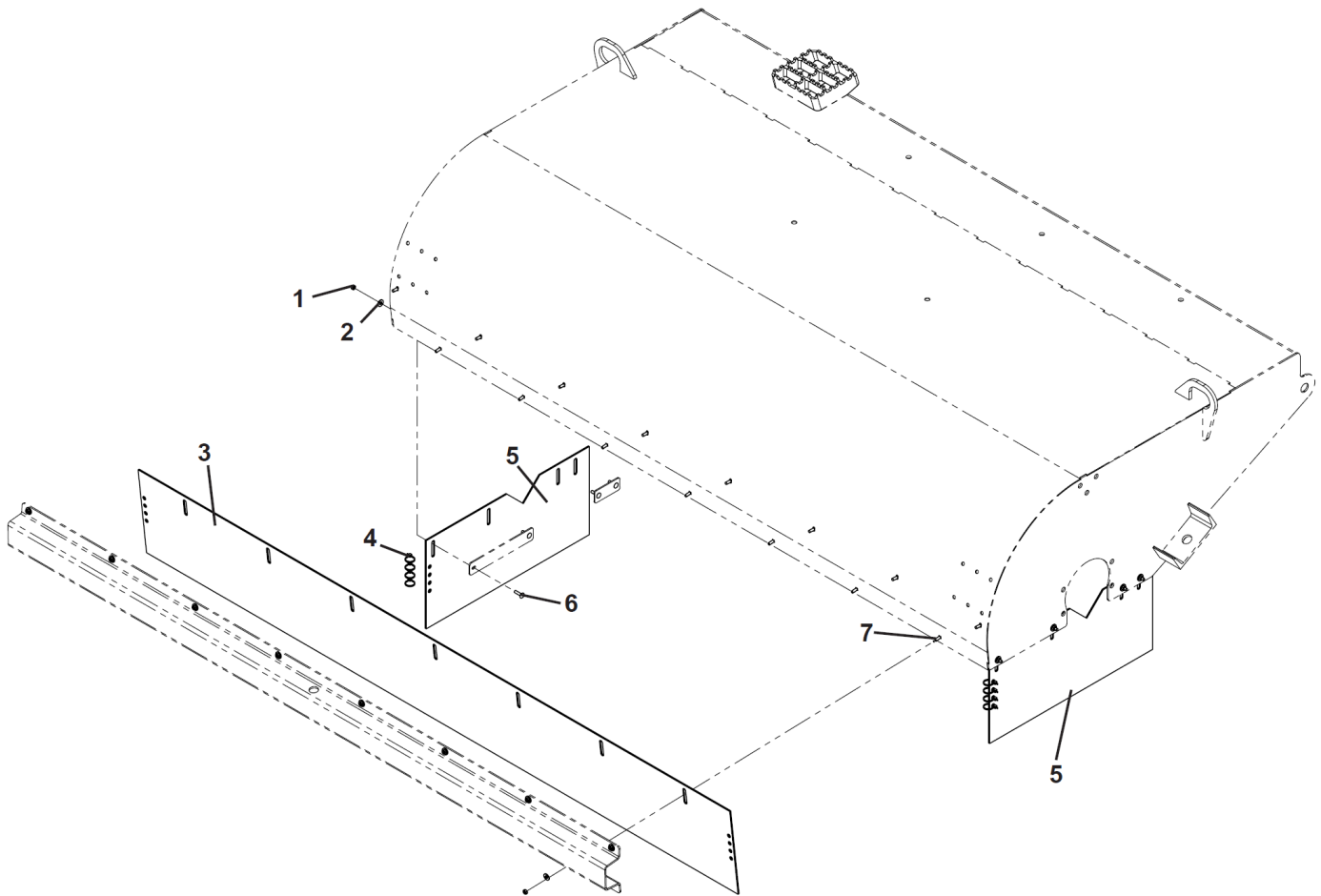
| Item | Qty | Part No. | Name | Additional Info |
|------|-----|------------|----------------------------------|-----------------|
| 1 | 19 | 07-5824 | .25" UNC Top Lock Hex Nut - GR C | |
| 2 | 19 | 07-4032 | .25" Flat Washer - GR8 | |
| 3 | 1 | 13-17042-5 | Front Flap - 5' | |
| 4 | 8 | 07-1767 | Plastic Tie | |
| 5 | 2 | 13-17059 | Side Flap | |
| 6 | 8 | 07-3691 | .25" UNC X 1.00" Carriage Bolt | |
| 7 | 11 | 07-3690 | .25" UNC X .75" Carriage Bolt | |

Flap Kits



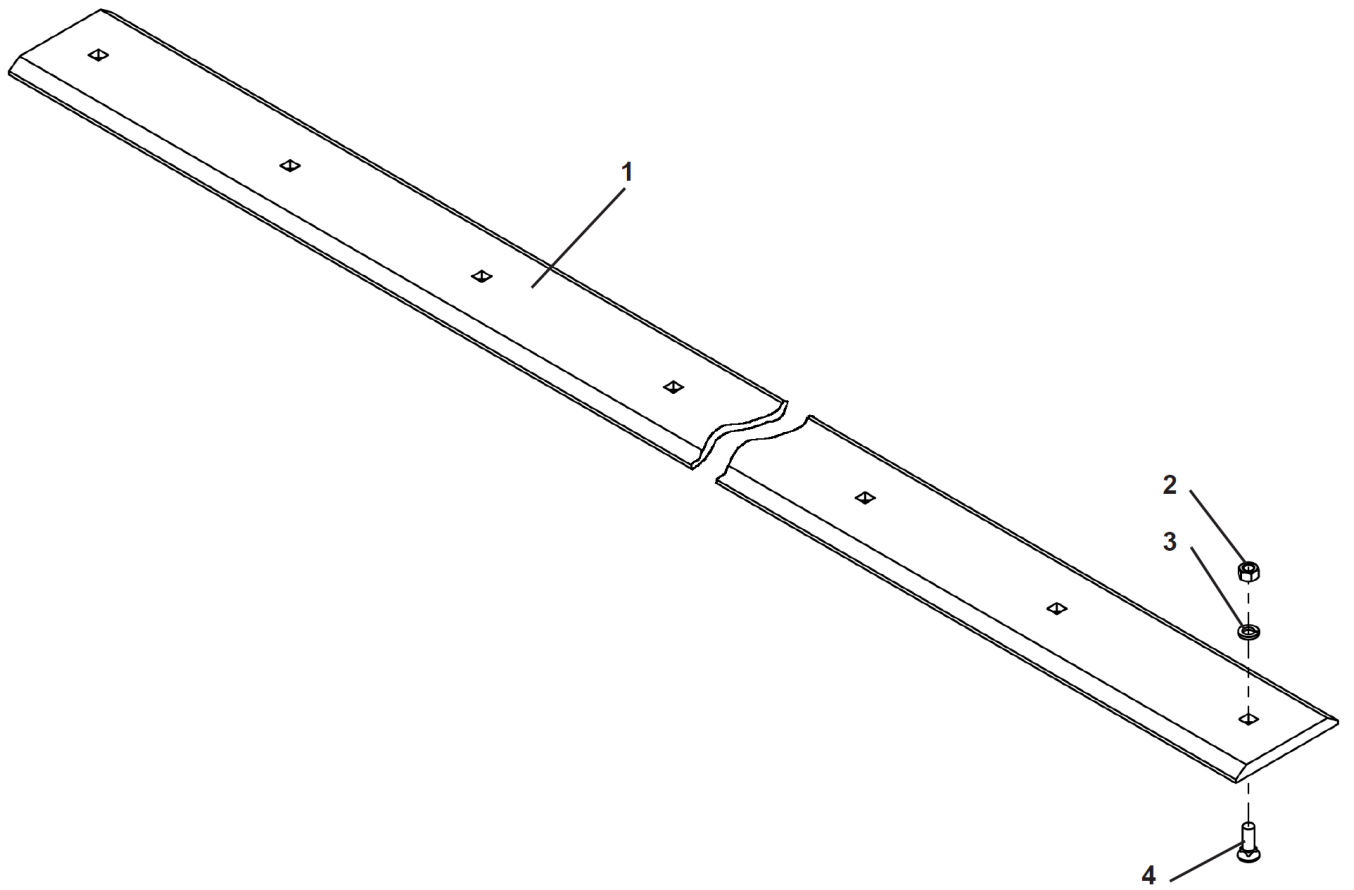
| Item | Qty | Part No. | Name | Additional Info |
|------|-----|------------|----------------------------------|-----------------|
| 1 | 21 | 07-5824 | .25" UNC Top Lock Hex Nut - GR C | |
| 2 | 21 | 07-4032 | .25" Flat Washer - GR8 | |
| 3 | 1 | 13-17042-6 | Front Flap - 6' | |
| 4 | 8 | 07-1767 | Plastic Tie | |
| 5 | 2 | 13-17059 | Side Flap | |
| 6 | 8 | 07-3691 | .25" UNC X 1.00" Carriage Bolt | |
| 7 | 13 | 07-3690 | .25" UNC X .75" Carriage Bolt | |

Flap Kits



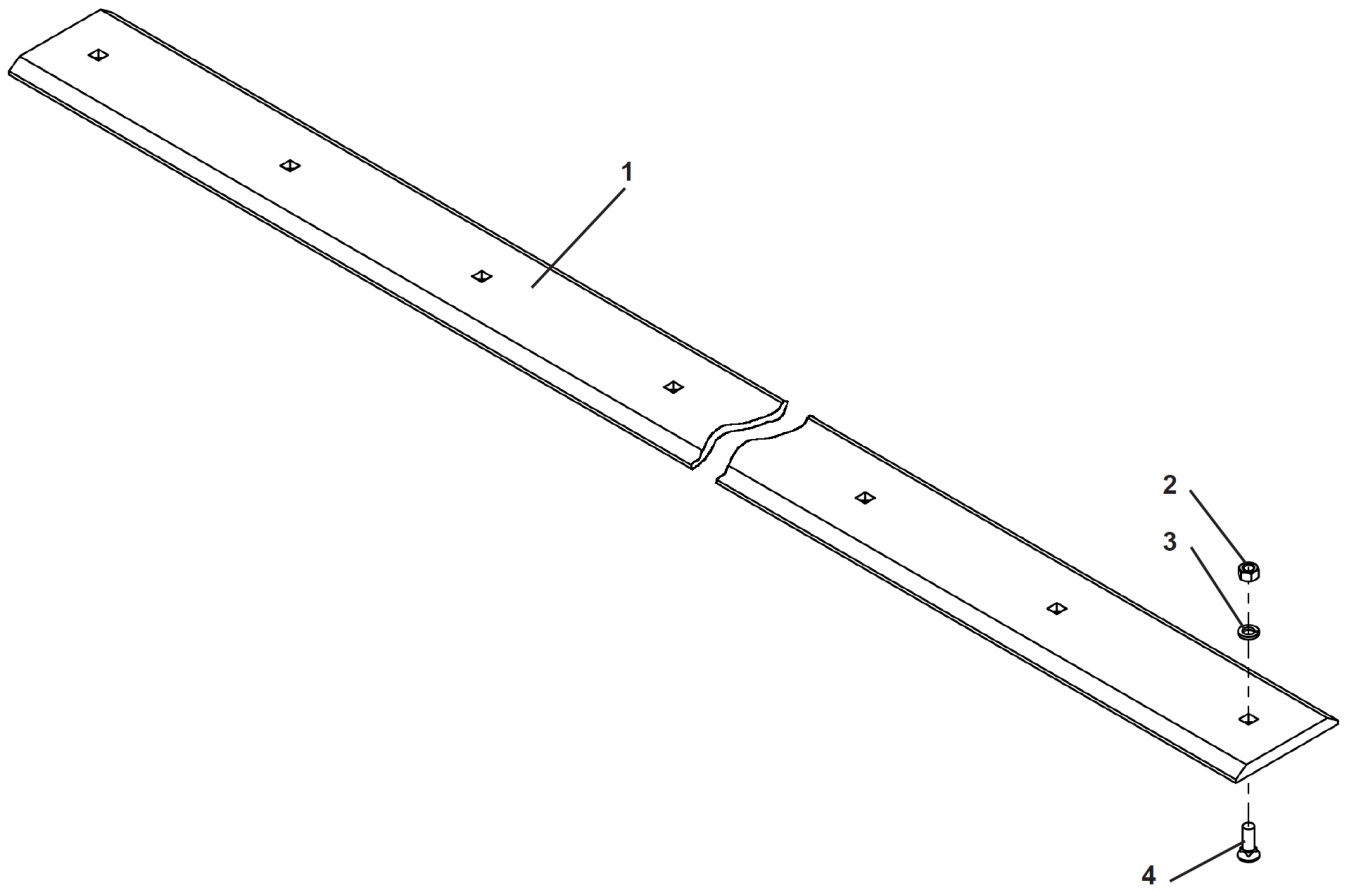
| Item | Qty | Part No. | Name | Additional Info |
|------|-----|------------|----------------------------------|-----------------|
| 1 | 23 | 07-5824 | .25" UNC Top Lock Hex Nut - GR C | |
| 2 | 23 | 07-4032 | .25" Flat Washer - GR8 | |
| 3 | 1 | 13-17042-7 | Front Flap - 7' | |
| 4 | 8 | 07-1767 | Plastic Tie | |
| 5 | 2 | 13-17059 | Side Flap | |
| 6 | 8 | 07-3691 | .25" UNC X 1.00" Carriage Bolt | |
| 7 | 15 | 07-3690 | .25" UNC X .75" Carriage Bolt | |

Cutting Edge Kits



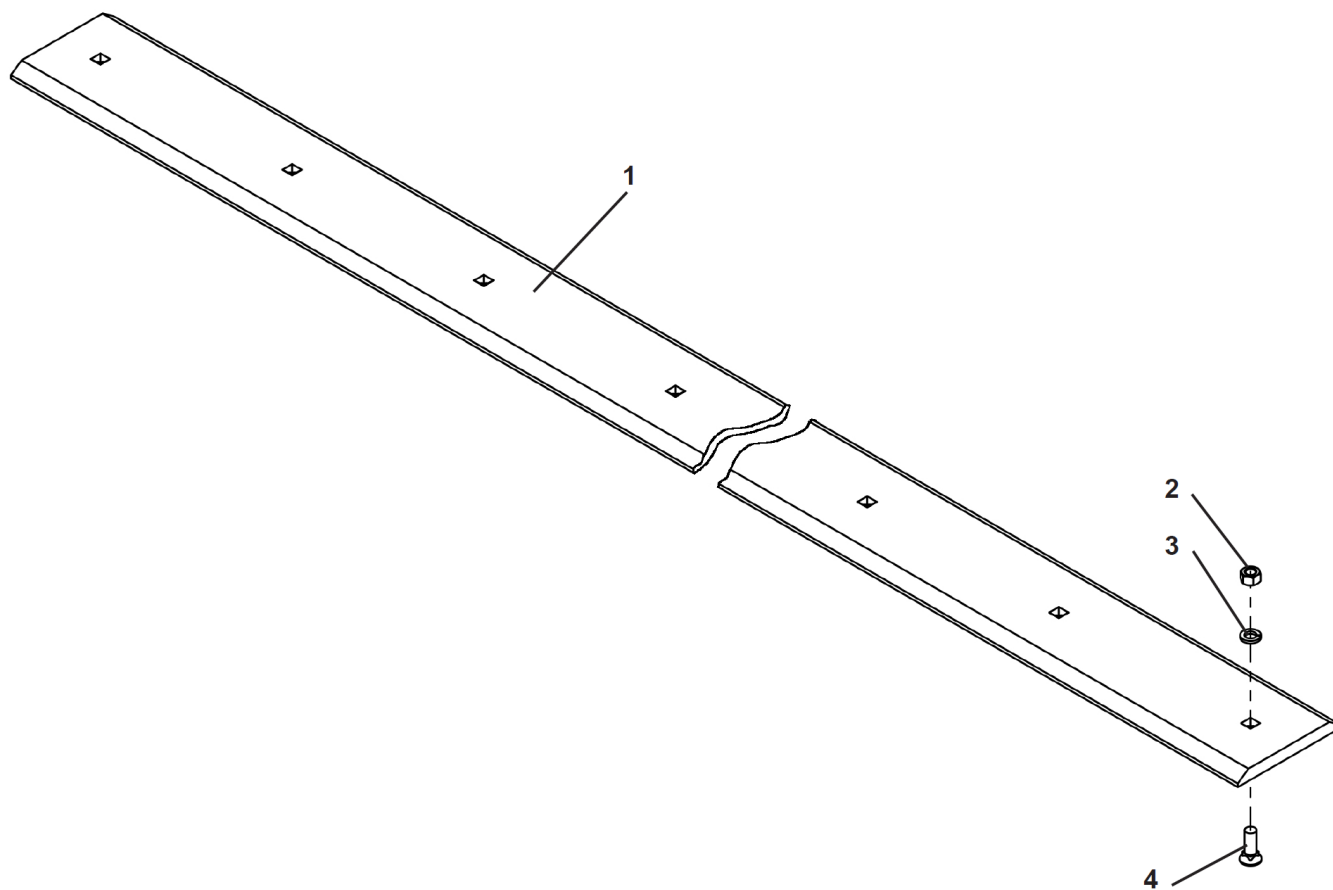
| Item | Qty | Part No. | Name | Additional Info |
|------|-----|----------|--------------------------------------|-----------------|
| 1 | 1 | LAF8361 | Bolt-On Cutting Edge .62" X 6" X 60" | |
| 2 | 6 | 07-1764 | .50" UNC Hex Nut - GR8 | |
| 3 | 6 | 07-1762 | .50" Lock Washer | |
| 4 | 6 | 07-4454 | .50" UNC X 1.50" Plow Bolt - GR8 | |

Cutting Edge Kits



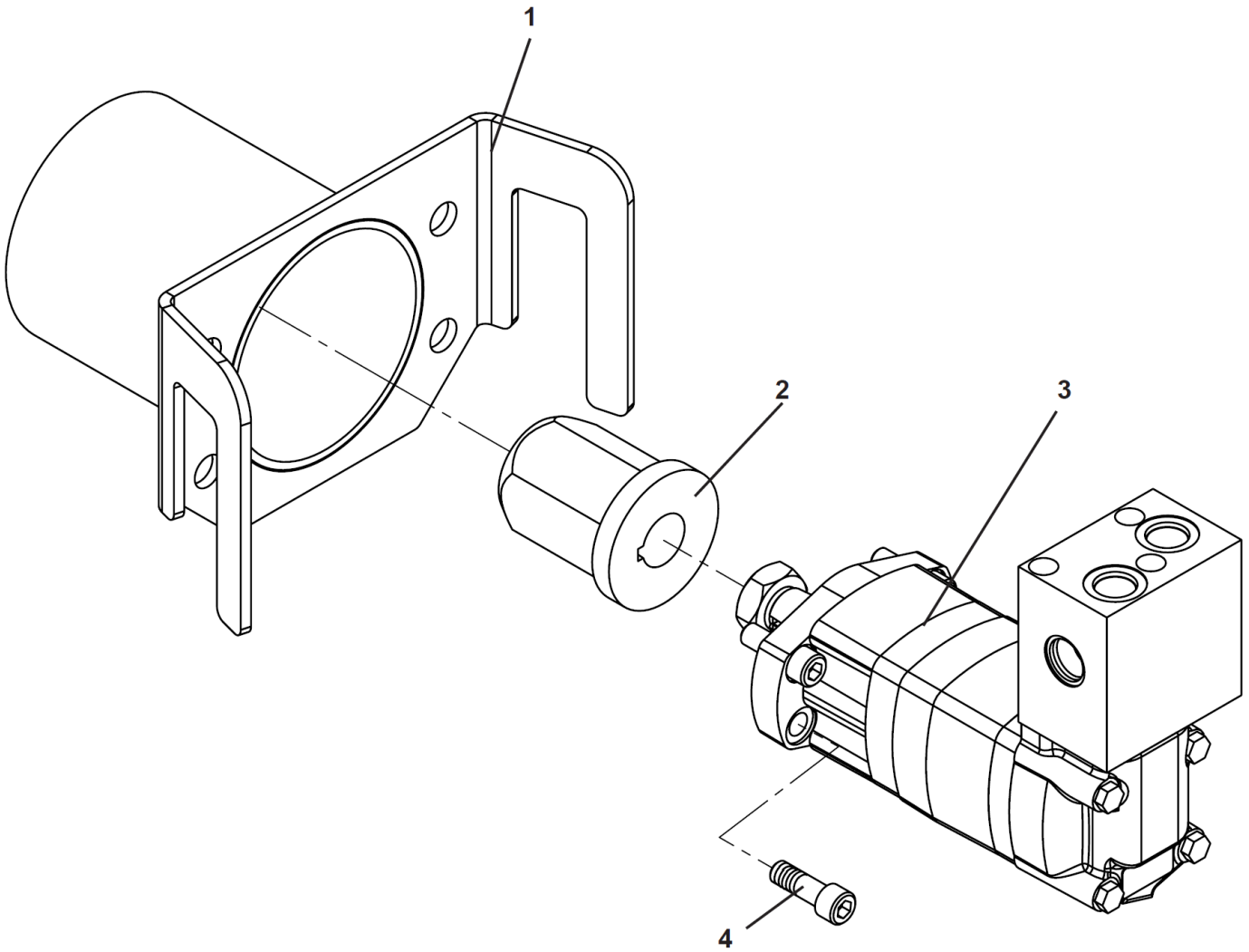
| Item | Qty | Part No. | Name | Additional Info |
|------|-----|----------|--------------------------------------|-----------------|
| 1 | 1 | LAF2803 | Bolt-On Cutting Edge .62" X 6" X 72" | |
| 2 | 7 | 07-1764 | .50" UNC Hex Nut - GR8 | |
| 3 | 7 | 07-1762 | .50" Lock Washer | |
| 4 | 7 | 07-4454 | .50" UNC X 1.50" Plow Bolt - GR8 | |

Cutting Edge Kits



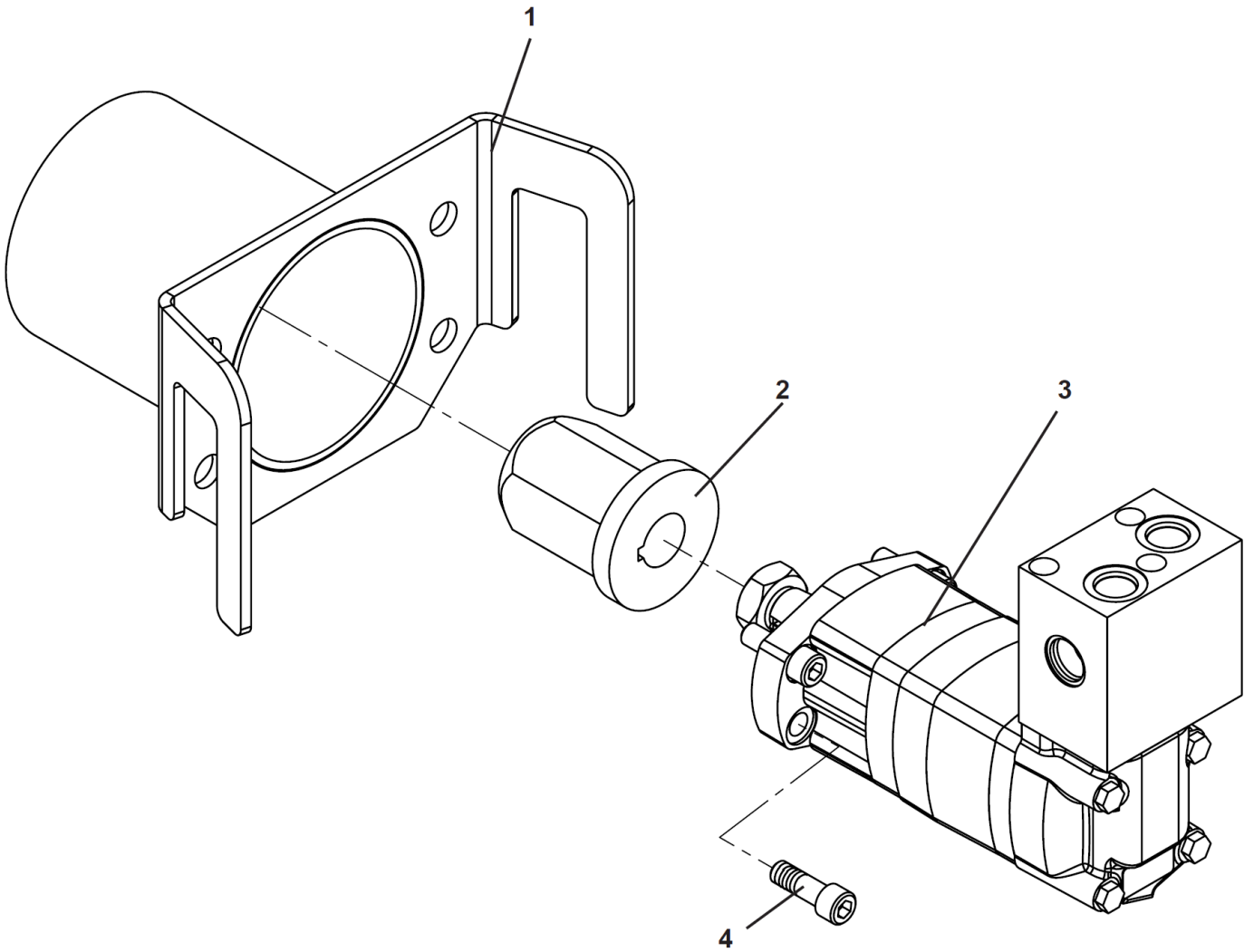
| Item | Qty | Part No. | Name | Additional Info |
|------|-----|----------|--------------------------------------|-----------------|
| 1 | 1 | LAF8337 | Bolt-On Cutting Edge .62" X 6" X 84" | |
| 2 | 8 | 07-1764 | .50" UNC Hex Nut - GR8 | |
| 3 | 8 | 07-1762 | .50" Lock Washer | |
| 4 | 8 | 07-4454 | .50" UNC X 1.50" Plow Bolt - GR8 | |

Motor Kits



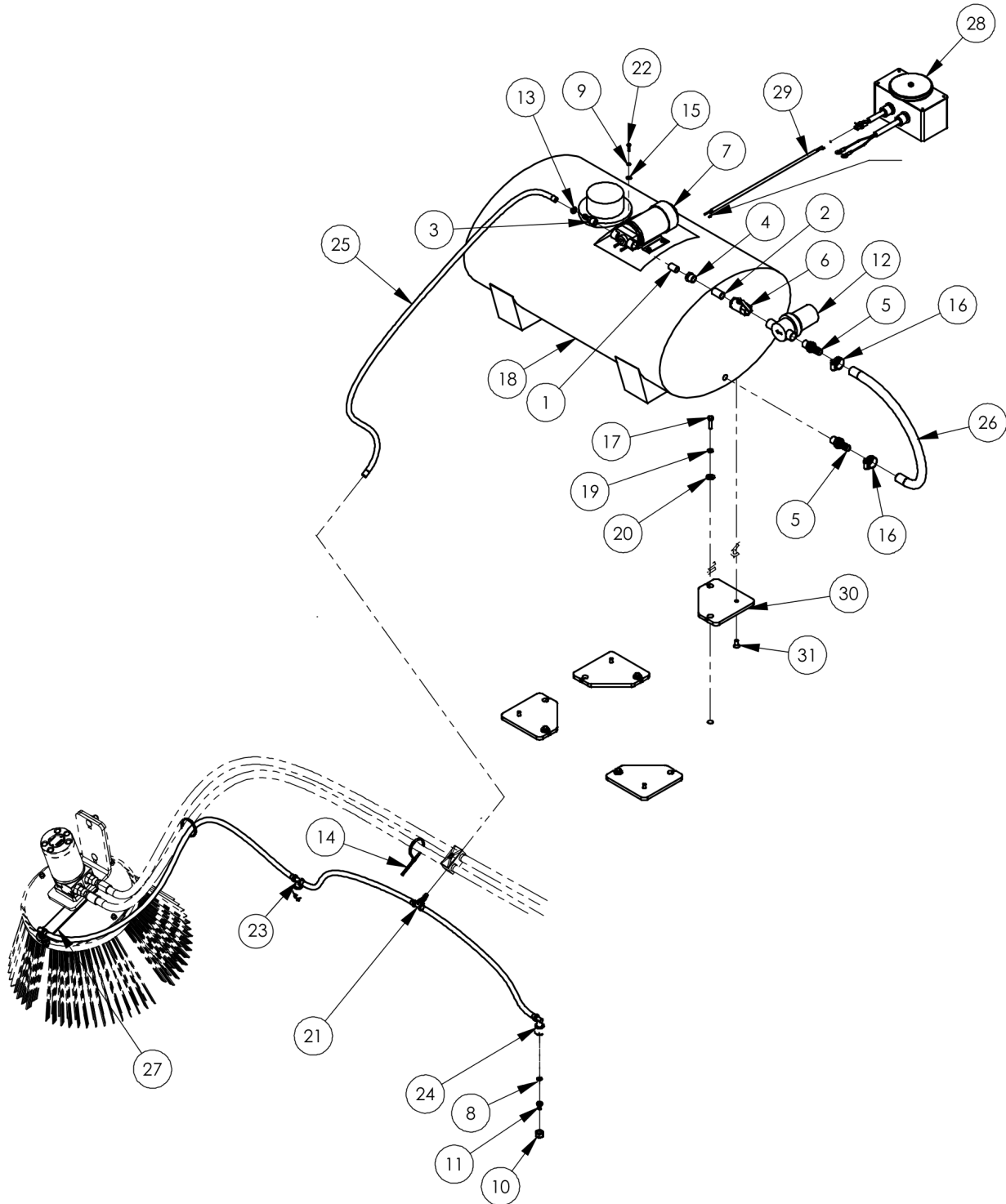
| Item | Qty | Part No. | Name | Additional Info |
|------|-----|--------------|--------------------------------------|---|
| 1 | 1 | 13-20141 | Motor Bucket | |
| 2 | 1 | 13-15206 | Hex Hub | |
| 3 | - | NSS | Hydraulic Motor 24.1 CID | (Install Hex Nut using Loctite Red #262) |
| 4 | 4 | RHW8236-0000 | .50" UNC X 1.50" Allen Head Capscrew | (Torque to 65 ft. lbs.) |

Motor Kits

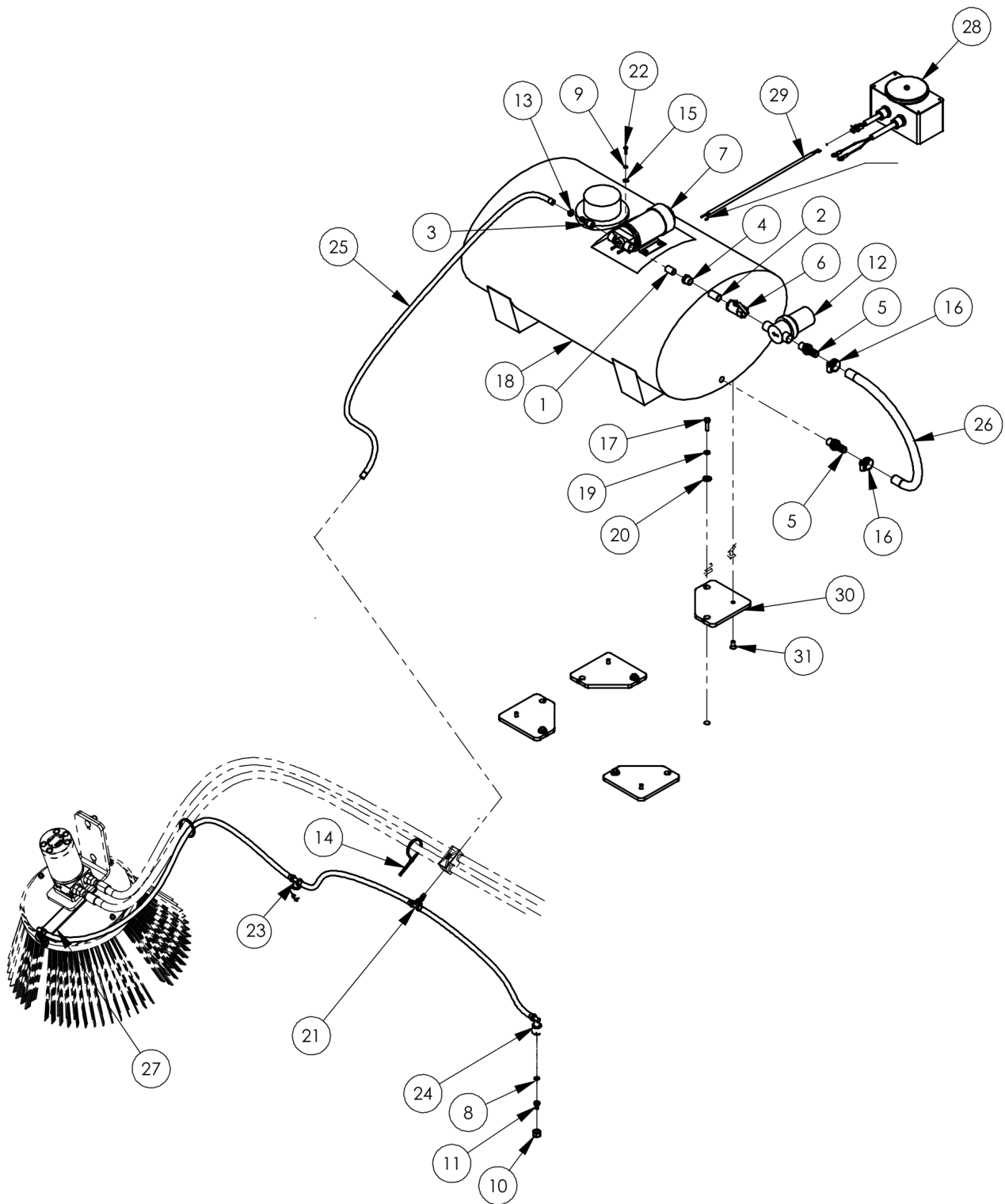


| Item | Qty | Part No. | Name | Additional Info |
|------|-----|--------------|--------------------------------------|---|
| 1 | 1 | 13-20141 | Motor Bucket | |
| 2 | 1 | 13-15206 | Hex Hub | |
| 3 | - | NSS | Hydraulic Motor 18.7 CID | (Install Hex Nut using Loctite Red #262) |
| 4 | 4 | RHW8236-0000 | .50" UNC X 1.50" Allen Head Capscrew | (Torque to 65 ft. lbs.) |

Dust Suppression Kits

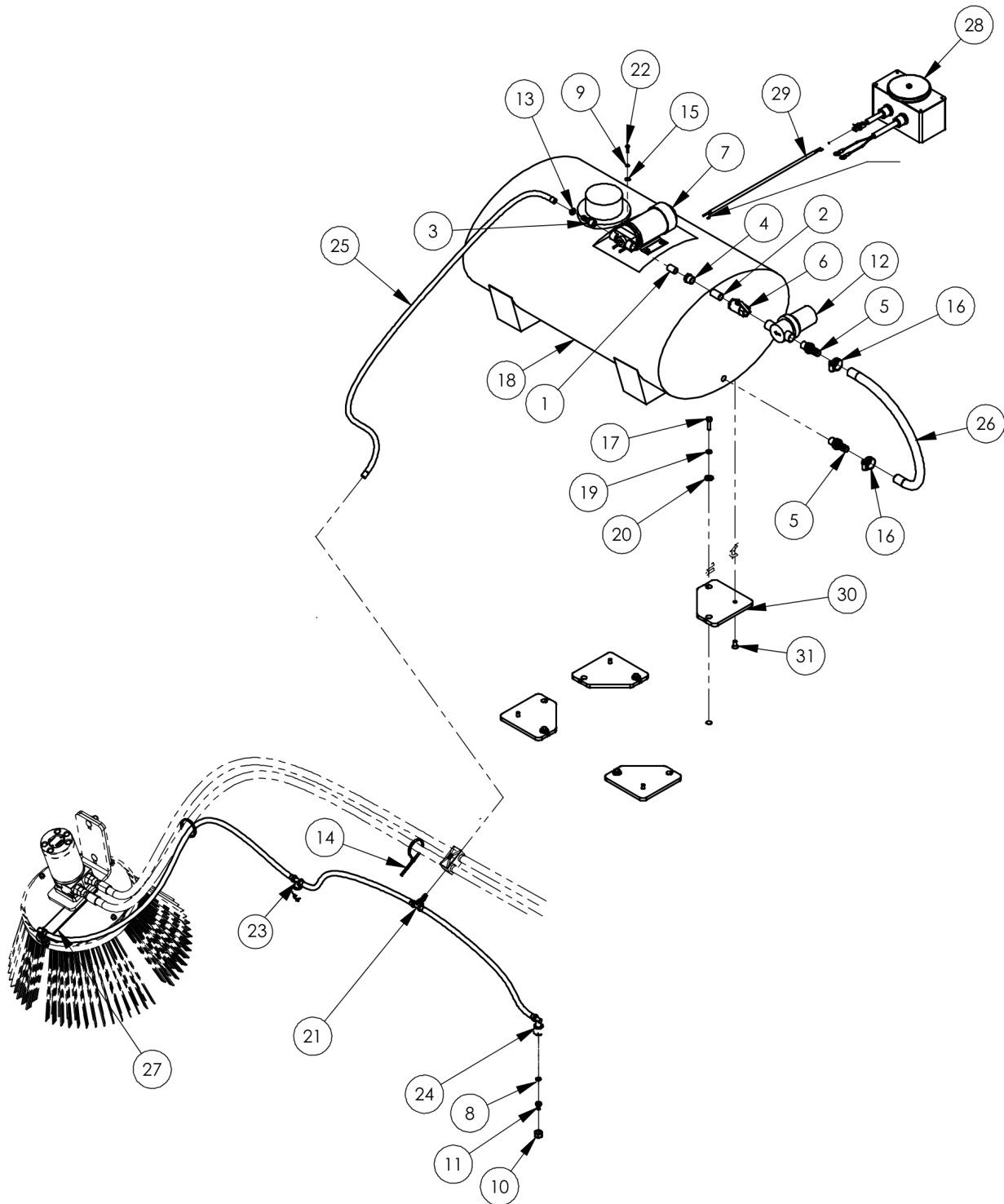


| Item | Qty | Part No. | Name | Additional Info |
|------|------|----------|------------------------------------|--|
| 1 | 1 | 03-0076 | .38" Close Nipple | |
| 2 | 1 | 03-0152 | .50" Close Nipple | |
| 3 | 1 | 03-0457 | Nylon Hose Barb .38" X 6MP | |
| 4 | 1 | 03-0819 | Adapter 6FP-8MP | |
| 5 | 2 | 03-1226 | Hose Barb .62" X 8MP | |
| 6 | 1 | 03-1392 | Shut-Off Valve | |
| 7 | 1 | 03-1326 | Water Pump 2.1GPM 12 Volt | |
| 7.1 | | 07-6565 | Fan Shroud | |
| 7.2 | | 07-6566 | Grommet Set | |
| 7.3 | | 07-6567 | Mounting Kit | |
| 8 | 3 | 03-3537 | O-Ring | (Use 4 with Dual Gutterbroom Assembly) |
| 9 | 4 | 07-0140 | #10 Lock Washer - GR2 | |
| 10 | 3 | 07-0413 | Nozzle Cap - Nylon | (Use 4 with Dual Gutterbroom Assembly) |
| 11 | 3 | 07-0414 | Nozzle Tip - 1.5 Brass | (Use 4 with Dual Gutterbroom Assembly) |
| 12 | 1 | 07-0532 | Water Strainer | |
| 13 | 8 | 07-0538 | Hose Clamp | |
| 14 | 2 | 07-0678 | Plastic Tie | |
| 15 | 4 | 07-1430 | #10 Flat Washer | |
| 16 | 4 | 07-0511 | Hose Clamp | |
| 17 | 4 | 07-1973 | .31" UNC X 1.25" Hex Capscrew | |
| 18 | 1 | 07-3150 | Water Tank Assembly - 25 Gallon | |
| 18.1 | | 07-3417 | Cap | |
| 19 | 4 | 07-3273 | .31" Lock Washer | |
| 20 | 4 | 07-3275 | .31" Flat Washer - GR8 | |
| 21 | 2 | 07-3869 | Hose Barb Tee .38" Nylon | |
| 22 | 4 | 07-4831 | 10-24 UNC X .75" Button Head Screw | |
| 23 | 1 | 07-4861 | Tee Nozzle (Without Clamp) | (Use 2 with Dual Gutterbroom Assembly) |
| 24 | 2 | 07-4862 | 90° Nozzle without Clamp | |
| 25 | 25ft | 07-5127 | Hose .38" Clear Vinyl | |
| 26 | 5ft | 09-0028 | Heater Hose .62" | |

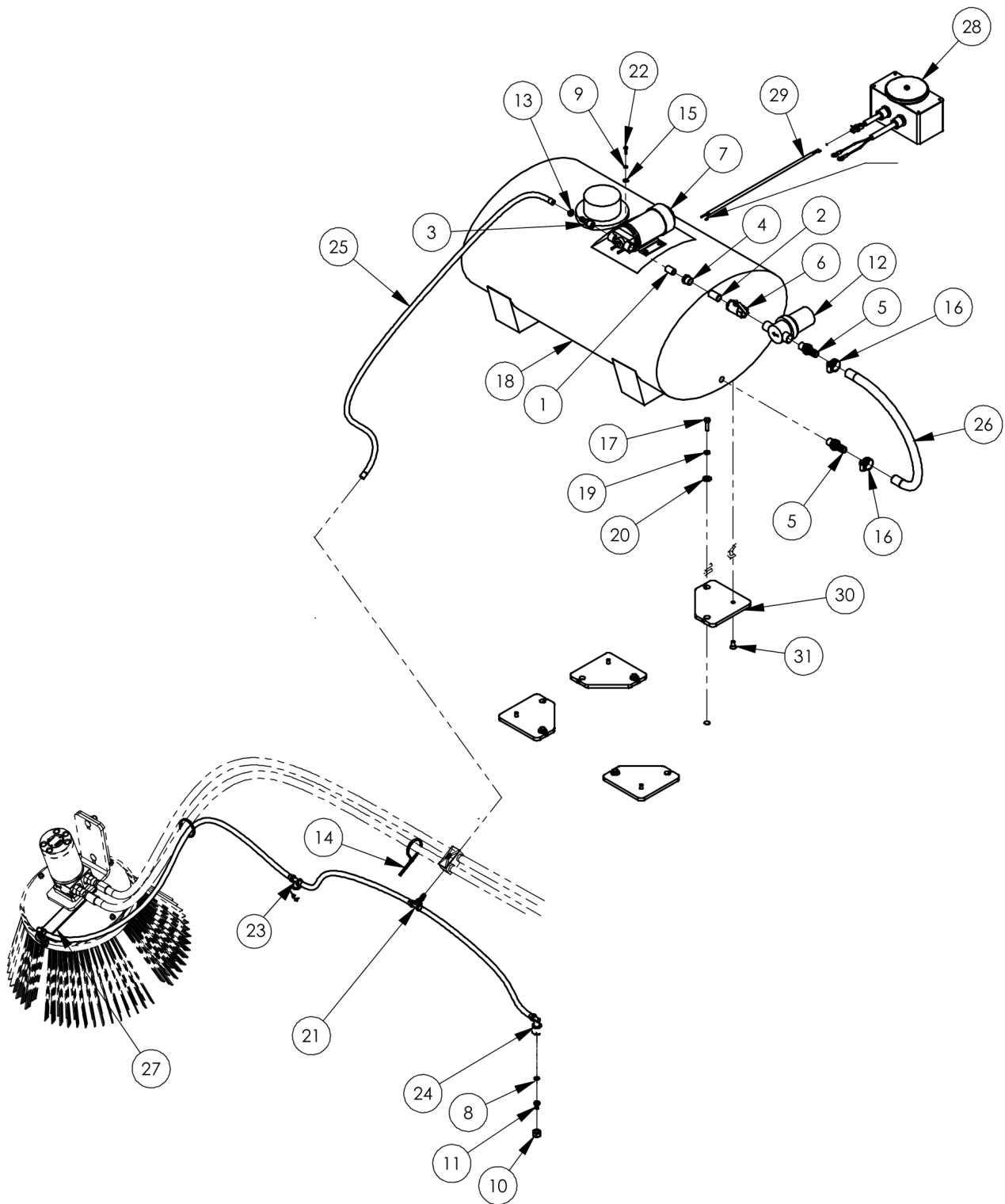


| Item | Qty | Part No. | Name | Additional Info |
|------|-----|----------|---------------------------------|-----------------|
| 27 | 1 | LAF2826 | Nozzle Bracket | |
| 28 | 1 | LAF8316 | Wire Harness with Box | |
| 28.1 | | LAF2843 | Switch | |
| 28.2 | | 07-1824 | Rubber Boot | |
| 29 | 1 | LAF8320 | Wire Assembly - 11' | |
| 30 | 4 | LAF8376 | Water Tank Mounting | |
| 31 | 4 | RHW2135 | .31" UNC X .75" Flat Head Screw | |

Dust Suppression Kits

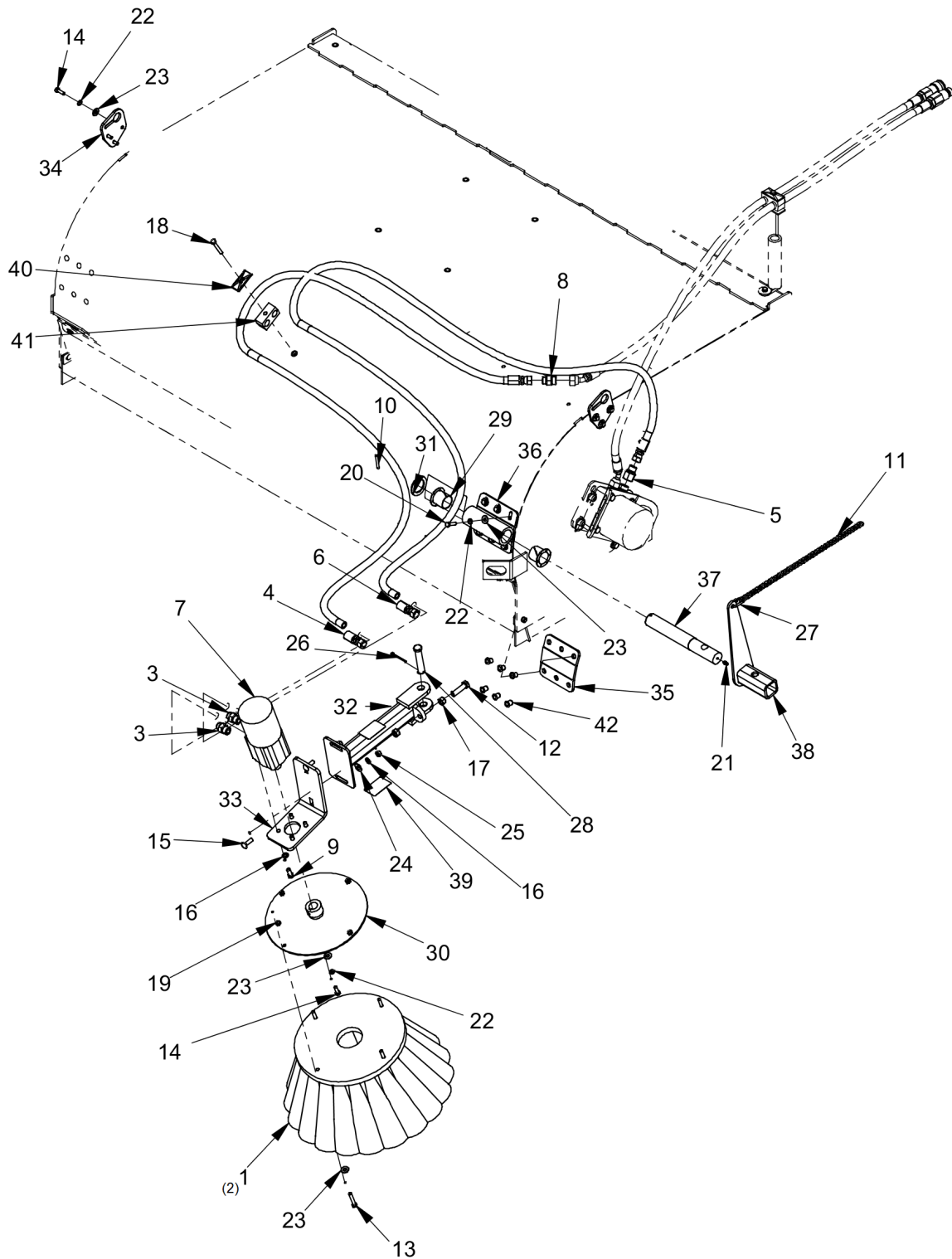


| Item | Qty | Part No. | Name | Additional Info |
|------|------|----------|---|--|
| 1 | 1 | 03-0076 | .38" Close Nipple | |
| 2 | 1 | 03-0152 | .50" Close Nipple | |
| 3 | 1 | 03-0457 | Nylon Hose Barb .38" X 6MP | |
| 4 | 1 | 03-0819 | Adapter 6FP-8MP | |
| 5 | 2 | 03-1226 | Hose Barb .62" X 8MP | |
| 6 | 1 | 03-1392 | Shut-Off Valve | |
| 7 | 1 | 03-2558 | Water Pump 2.1 GPM - 24 Volt - 3.5 AMP - 60 PSI | |
| 7.1 | | 07-6565 | Fan Shroud | |
| 7.2 | | 07-6566 | Grommet Set | |
| 7.3 | | 07-6567 | Mounting Kit | |
| 8 | 3 | 03-3537 | O-Ring | (Use 4 with Dual Gutterbroom Assembly) |
| 9 | 4 | 07-0140 | #10 Lock Washer - GR2 | |
| 10 | 3 | 07-0413 | Nozzle Cap - Nylon | (Use 4 with Dual Gutterbroom Assembly) |
| 11 | 3 | 07-0414 | Nozzle Tip - 1.5 Brass | (Use 4 with Dual Gutterbroom Assembly) |
| 12 | 1 | 07-0532 | Water Strainer | |
| 13 | 8 | 07-0538 | Hose Clamp | |
| 14 | 2 | 07-0678 | Plastic Tie | |
| 15 | 4 | 07-1430 | #10 Flat Washer | |
| 16 | 4 | 07-0511 | Hose Clamp | |
| 17 | 4 | 07-1973 | .31" UNC X 1.25" Hex Capscrew | |
| 18 | 1 | 07-3150 | Water Tank Assembly - 25 Gallon | |
| 18.1 | | 07-3417 | Cap | |
| 19 | 4 | 07-3273 | .31" Lock Washer | |
| 20 | 4 | 07-3275 | .31" Flat Washer - GR8 | |
| 21 | 2 | 07-3869 | Hose Barb Tee .38" Nylon | |
| 22 | 4 | 07-4831 | 10-24 UNC X .75" Button Head Screw | |
| 23 | 1 | 07-4861 | Tee Nozzle (Without Clamp) | (Use 2 with Dual Gutterbroom Assembly) |
| 24 | 2 | 07-4862 | 90° Nozzle without Clamp | |
| 25 | 25ft | 07-5127 | Hose .38" Clear Vinyl | |
| 26 | 5ft | 09-0028 | Heater Hose .62" | |

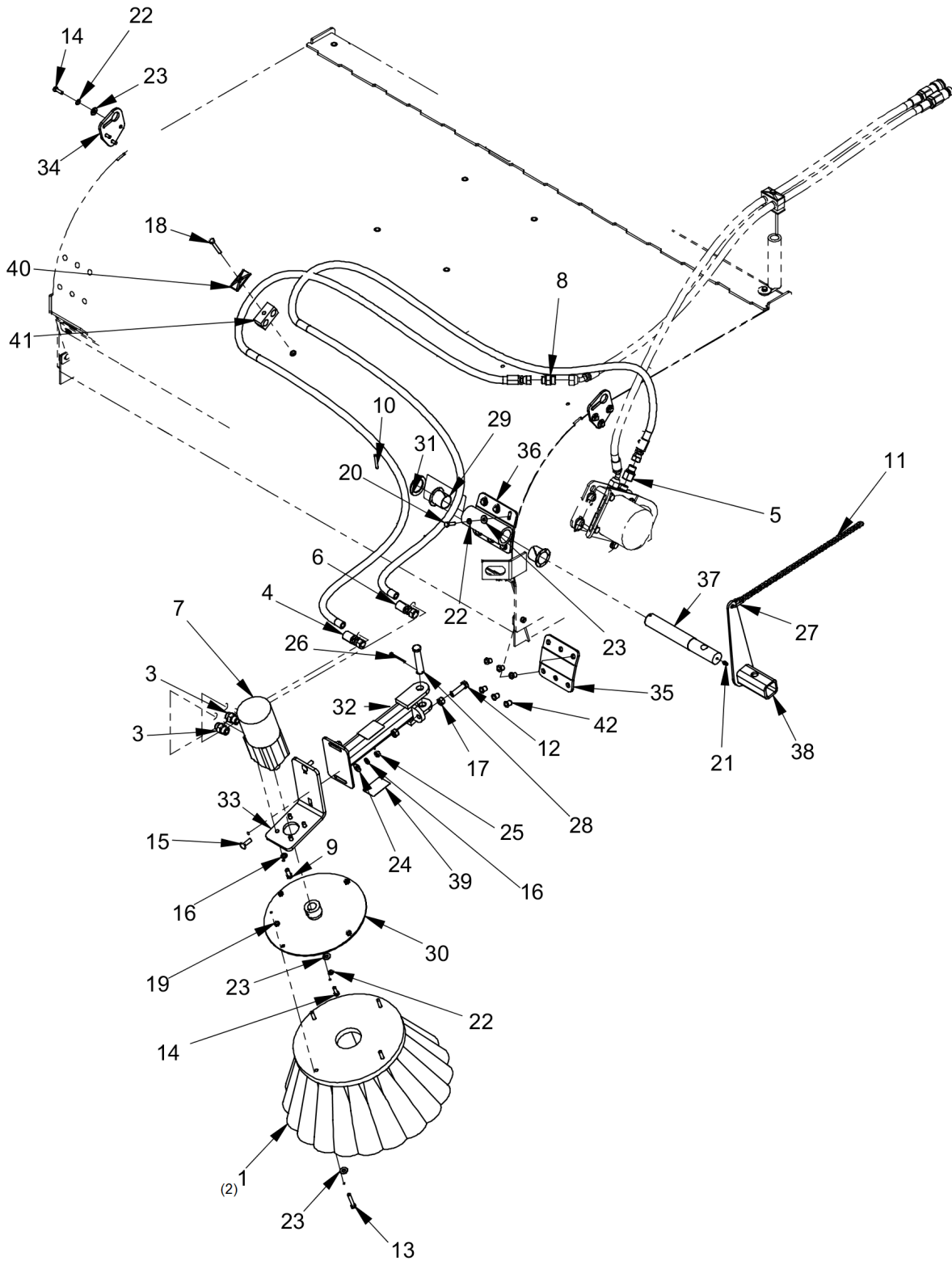


| Item | Qty | Part No. | Name | Additional Info |
|------|-----|----------|---------------------------------|-----------------|
| 27 | 1 | LAF2826 | Nozzle Bracket | |
| 28 | 1 | LAF8316 | Wire Harness with Box | |
| 28.1 | | LAF2843 | Switch | |
| 28.2 | | 07-1824 | Rubber Boot | |
| 29 | 1 | LAF8320 | Wire Assembly - 11' | |
| 30 | 4 | LAF8376 | Water Tank Mounting | |
| 31 | 4 | RHW2135 | .31" UNC X .75" Flat Head Screw | |

Gutterbroom Kits

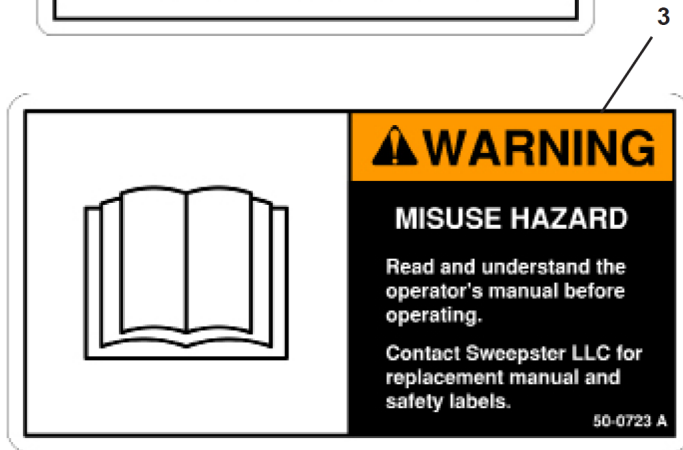
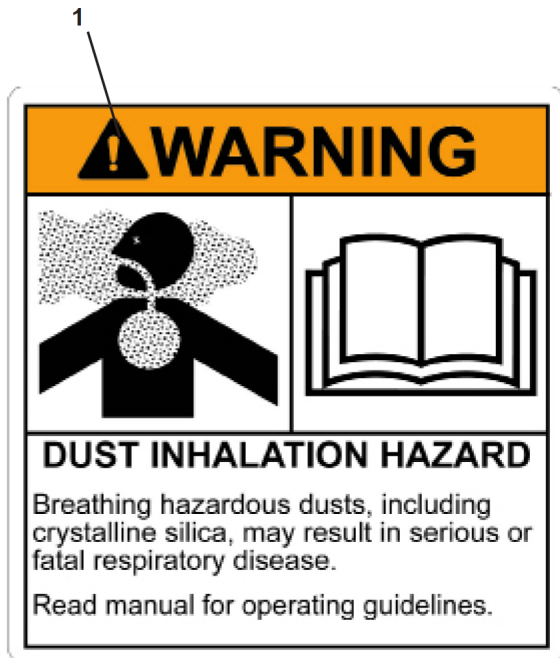


| Item | Qty | Part No. | Name | Additional Info |
|------|-----|----------|---|------------------------------|
| 1 | 1 | 01-0704 | Poly Brush | |
| 2 | 1 | 01-0523 | Wire Brush | |
| 3 | 2 | 03-3481 | Fitting 10MBo-8MFS | |
| 4 | 1 | 03-4440 | Hose .50" X 126" 8FFS-8FFS | |
| 5 | 1 | 03-4624 | Fitting 8MFS-10FFS | |
| 6 | 1 | 03-5377 | Hose .50" X 150" 8FFS-8FFS | |
| 7 | | REF | SERIAL NUMBER REQUIRED | |
| 7 | 1 | 03-6443 | Hydraulic Motor 24 CID | Serial Number 1234001 & Up |
| 7.1 | | 03-5799 | Replacement Seal Kit | |
| 7.2 | | 07-1948 | Key | |
| 7 | 1 | 03-5611 | Hydraulic Motor 24.6 CID | Serial Number 1233199 & Down |
| 7.3 | | 03-5643 | Replacement Seal Kit | |
| 7.4 | | 07-7719 | Key | |
| 8 | 1 | 03-5645 | Fitting 8MFS-10MFS | |
| 9 | 4 | 07-0018 | .38" UNC X 1.00" Hex Capscrew - GR8 | |
| 10 | 1 | 07-0204 | Roll Pin .25" X 2.00" | |
| 11 | 1 | 07-0387 | Chain .18" X 26 Links | |
| 12 | 1 | 07-1125 | .50" UNC X 2.50" Hex Capscrew - Full Thread | (Full Thread) |
| 13 | 4 | 07-1698 | .31" UNC X 2.00" Hex Capscrew - GR8 | |
| 14 | 7 | 07-1714 | .31" UNC X 1.00" Hex Capscrew - GR8 | |
| 15 | 2 | 07-1717 | .38" UNC X 1.00" Carriage Bolt | |
| 16 | 6 | 07-1718 | .38" Lock Washer | |
| 17 | 2 | 07-1764 | .50" UNC Hex Nut - GR8 | |
| 18 | 1 | 07-1784 | .31" UNC X 2.50" Hex Capscrew - GR8 | |
| 19 | 4 | 07-1810 | .31" UNC Lock Nut - GR8 | |
| 20 | 6 | 07-1973 | .31" UNC X 1.25" Hex Capscrew | |
| 21 | 1 | 07-3112 | Grease Fitting | |
| 22 | 13 | 07-3273 | .31" Lock Washer | |
| 23 | 17 | 07-3275 | .31" Flat Washer - GR8 | |
| 24 | 2 | 07-3279 | .38" Flat Washer - GR8 | |
| 25 | 2 | 07-3654 | .38" UNC Hex Nut - GR8 | |



| Item | Qty | Part No. | Name | Additional Info |
|------|-----|----------|-------------------------------|-----------------|
| 26 | 1 | 07-4961 | Cotter Pin .12" X 2.00" - GR2 | |
| 27 | 1 | 07-5054 | .18" Quick Link | |
| 28 | 1 | 07-6358 | Clevis Pin .75" X 3.50" | |
| 29 | 2 | 09-0156 | Flange Bearing - Nylon | |
| 30 | 1 | 13-0374 | Mounting Plate | |
| 31 | 1 | 13-12291 | 2.38" X 1.62" Flat Washer | |
| 32 | 1 | 13-2264 | Arm | |
| 33 | 1 | 13-2265 | Motor Mounting | |
| 34 | 2 | 13-50075 | Adjustment Plate | |
| 35 | 1 | 13-50076 | Mounting Plate | |
| 36 | 1 | 13-50088 | Attachment Plate | |
| 37 | 1 | 13-50093 | Gutterbroom Pivot Pin | |
| 38 | 1 | 13-50096 | Pivot | |
| 39 | 2 | 50-0775 | Warning! Crush Hazard | |
| 40 | 1 | RHW8614 | Cover Plate | |
| 41 | 1 | RHW8616 | Hose Cradle | |
| 42 | 6 | RHW8642 | .31" UNC Rivet Nut | |

Replacement Decals



| Item | Qty | Part No. | Name | Additional Info |
|------|-----|----------|---|-----------------|
| 1 | - | 41043 | Warning! Hazardous Dust | |
| 2 | - | 50-0724 | Warning! High Pressure Fluid | |
| 3 | - | 50-0723 | Warning! Misuse Hazard | |
| 4 | - | 50-0737 | Warning! Pinch Point Hazard | |
| 5 | - | 50-0727 | Warning! Flying Objects | |
| 6 | - | VARIES | Contact your local dealer to purchase model number and logo decals. | |