

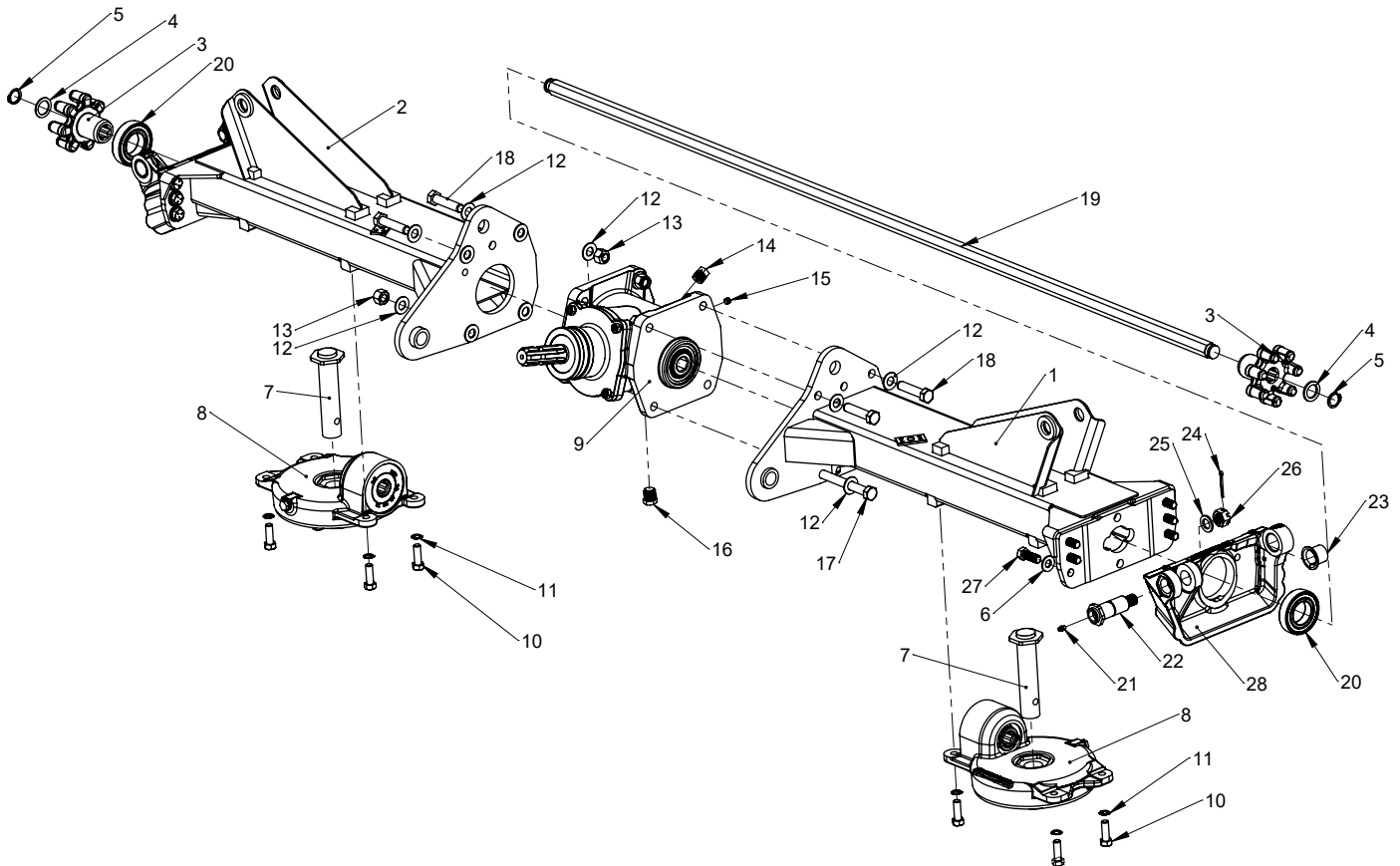


# HT46X Rotary Tedder

## Illustrated Parts Breakdown

<b>Page 1</b>	<b>Center Section</b>
<b>Page 2</b>	<b>Hydraulics</b>
<b>Page 3</b>	<b>Outer Wing Assembly</b>
<b>Page 4</b>	<b>Center Bolted Components</b>
<b>Page 5</b>	<b>Tine Rotor and Hardware</b>
<b>Page 6</b>	<b>Tilt Cylinder Hardware</b>
<b>Page 7</b>	<b>Tongue and Bolt Components</b>
<b>Page 8</b>	<b>Spindle and Wheel Hardware</b>
<b>Page 9</b>	<b>Wing Components</b>
<b>Page 10</b>	<b>PTO Shaft</b>
<b>Page 11</b>	<b>Decals</b>

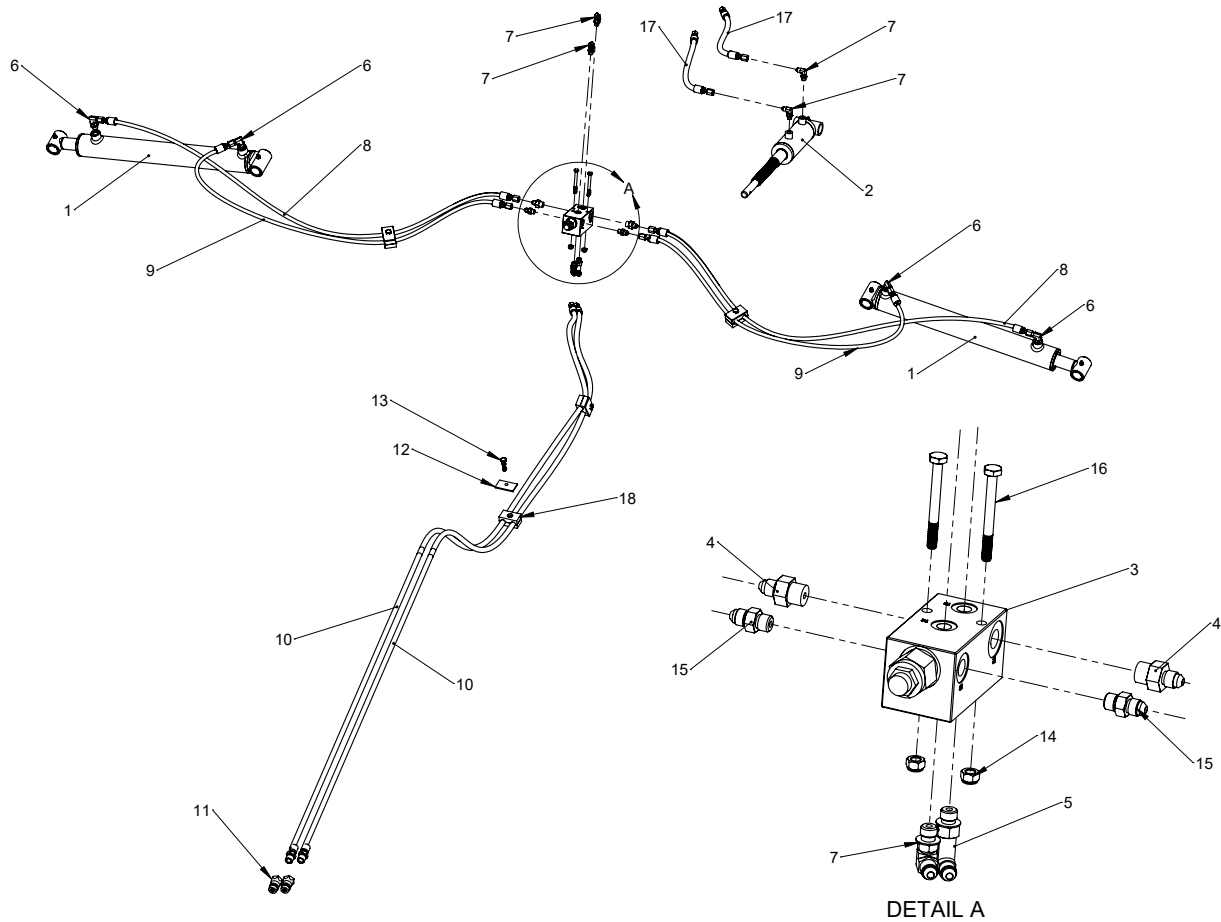
# Center Section



Ref#	Description	Part#
1	Left Inner Wing Weldment	704027
2	Right Inner Wing Weldment	704031
3	7 Finger Drive	703546
4a	1" x 1-1/2 Machinery Bushing 10 Ga	001006
4b	1" x 1-1/2 Machinery Bushing 14 Ga	001008
5	1" Heavy Duty Ext. Retaining Ring	702883
6	9/16" Serrated Conical Washer	705000
7	Rotor Spindle Weldment	703761
8	6 Hole Rotor Gearbox	704020
9	17x20 Center Gearbox Assembly	703621
10	1/2-13 x 1-1/2 Hex Head Bolt	000435
11	1/2 Serrated Safety Washer	702821
12	5/8 SAE Flat Washer	001076
13	5/8 Stover Locknut	900145
14	1/2" Breather Plug	703116

Ref#	Description	Part#
15	1/8" NPT Pipe Plug	502298
16	X100 Series Plug	703115
17	1/2" x 10- 1/2" Hex Head Bolt	000691
18	5/8-11 x 2-3/4 Hex Head Bolt	000623
19	Center Hex Shaft	705024
20	Spherical Bearing	705028
21	1/4-28 Spin-drive Grease Zert	400117
22	Pivot Pin 1.125	705013
23	CuSn8 Diamond Indent Bearing	703780
24	5/32 x 1-1/2 Cotter Pin	001215
25	3/4 x 1-1/4 Machinery Bushing	400146
26	3/4-16 Castle Nut	705070
27	9/16-12 x 1-1/2 Hex Head Bolt	000577
28	Pivot Casting	703547

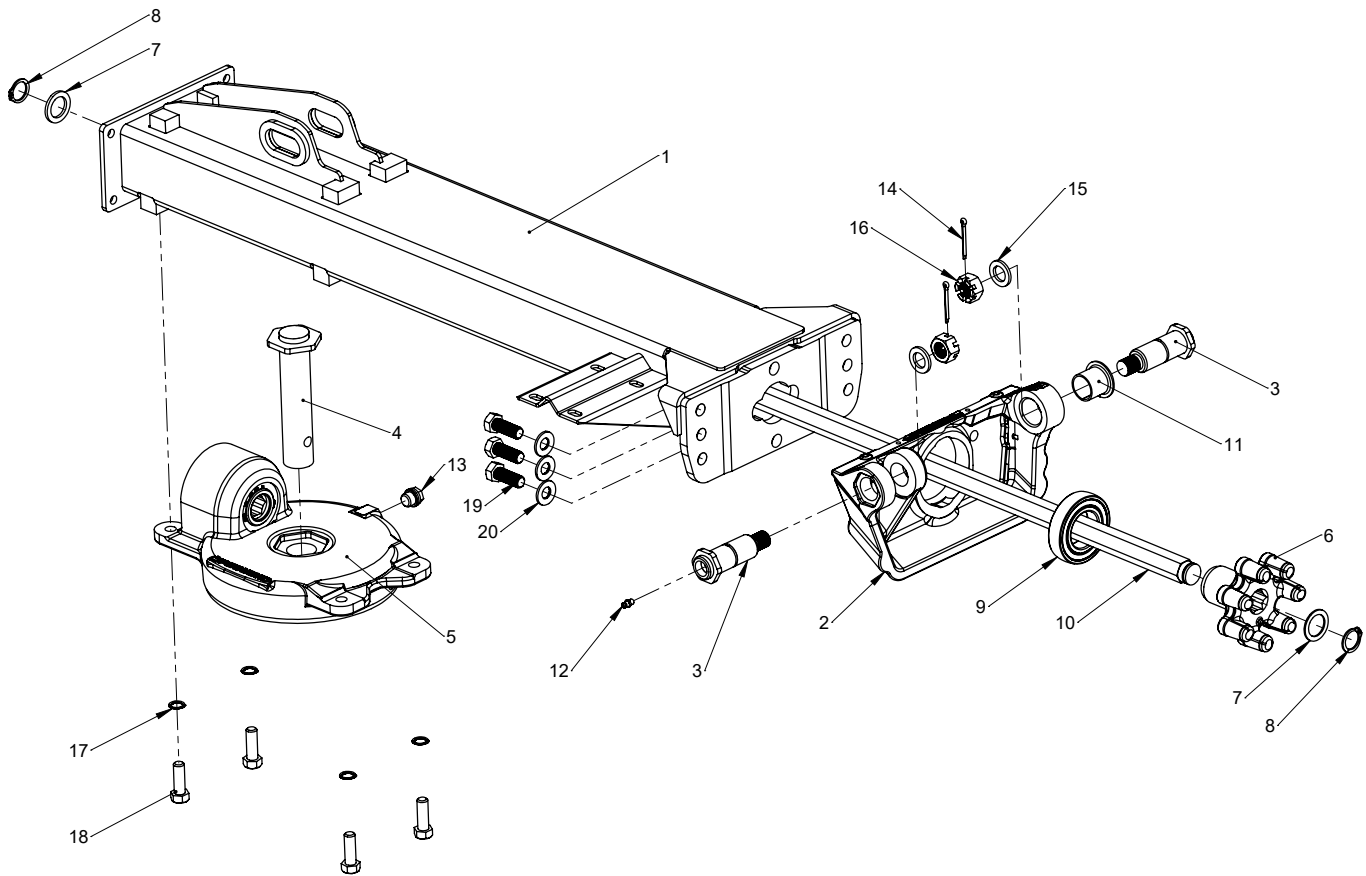
# Hydraulics



Ref#	Description	Part#
1	2" Bore x 16" Stroke	703969
2	Front Tilt Cylinder	703604
3	Manifold With Relief Cartridge Valve	703619
4	Straight Fitting,- #4 MJ x #6MB-0.062"	703620
5	6801-L-04-04	705084
6	#4 JIC x #6 Male Boss Elbow Fitting	700907
7	90 Degree Elbow,- #4 MJ x #4 MB	700948
8	Long Cylinder Hose	701038
9	Short Cylinder Hose	701037

Ref#	Description	Part#
10	Tractor Hose	701039
11	1/2" Male AG Coupler	290105
12	Hose Clamp Top Plate	510630
13	5/16-18 x 1-3/8 Hex Head Bolt	000229
14	1/4-20 Nylon Lock Nut	003001
15	Straight Fitting, #4 MJ x #4 MB	290195
16	1/4-20 x 2-1/2 Hex Head Bolt	000195
17	15.5" Hose Assembly,-( 1/4" Hose)	703379
18	1/4" Clamp Block	510632

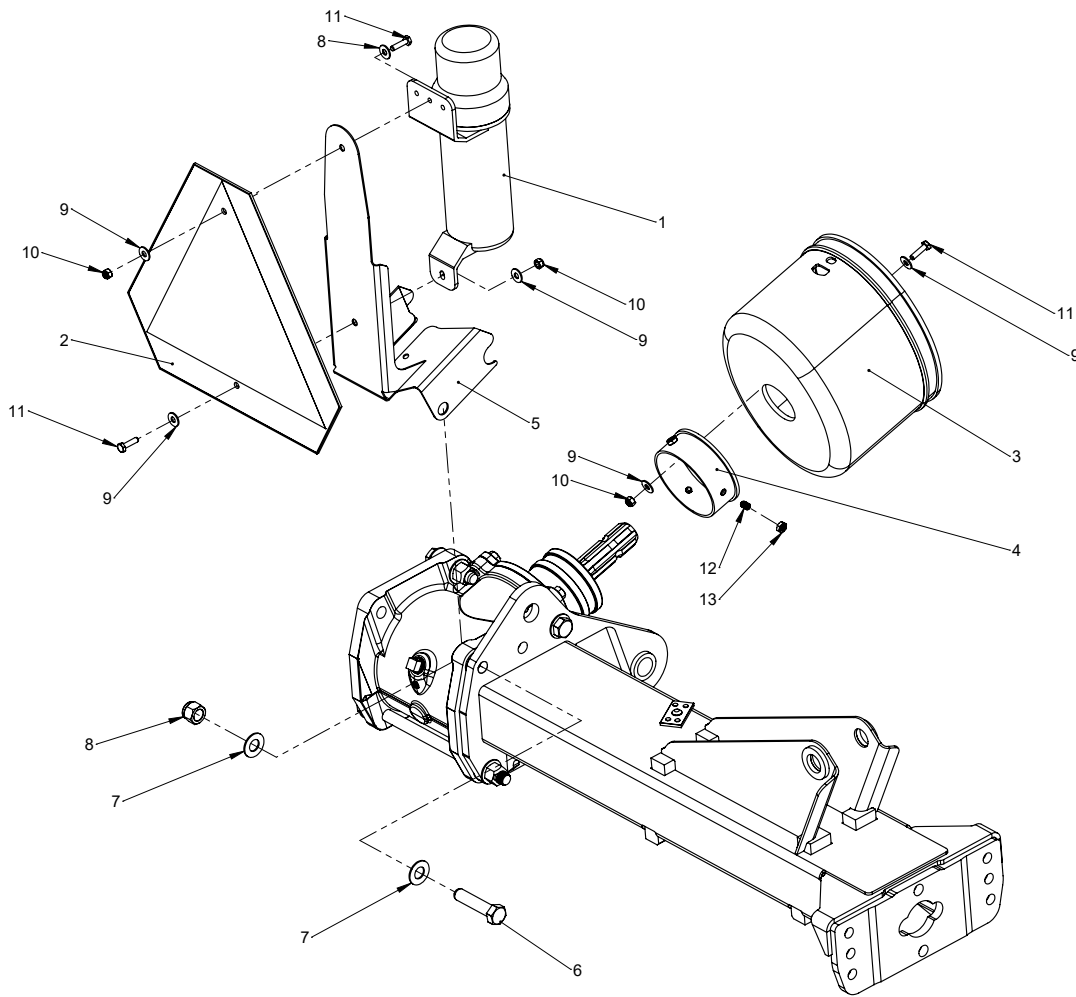
# Outer Wing Assembly



Ref#	Description	Part#
1a	Right Wing	704032
1b	Left Wing (Not Shown)	704033
2	Pivot Casting	703547
3	Pivot Pin/Cast Joint	705013
4	Rotor Spindle	703761
5	Gearbox 6 Arm	704020
6	7 Finger Drive	703546
7a	Machinery Bushing 10	001006
7b	Machinery Bushing 14	001008
8	Heavy Duty Snap Ring	702883
9	Spherical Bearing	705028

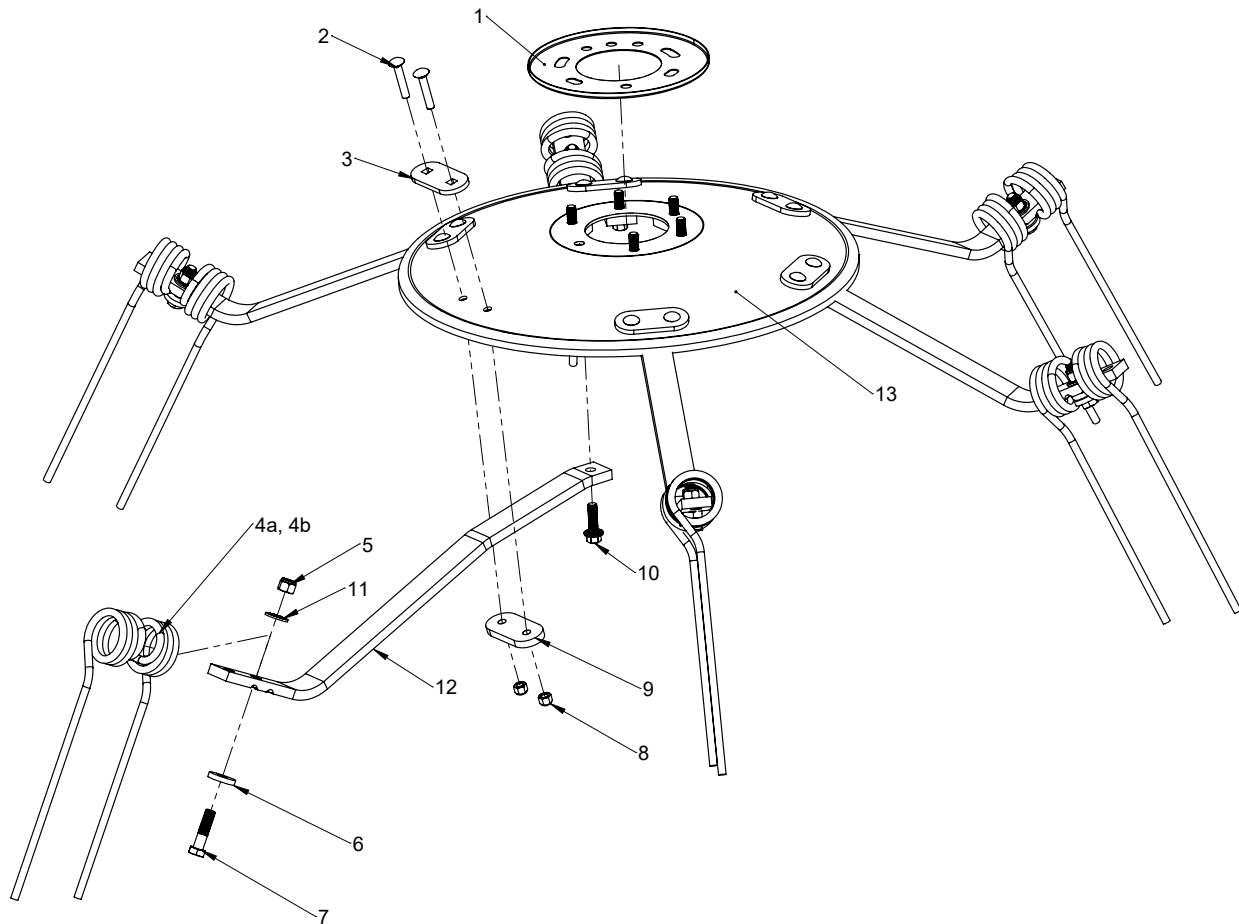
Ref#	Description	Part#
10	Wing Hex Shaft	705023
11	Diamond Indent Bearing	703780
12	1/4-28 Spin Drive Fitting	400117
13	M16-1.5 Gearbox Plug and Seal	704055
14	Cotter Pin, 5/32 x 1 1/2	001215
15	3/4 x 1 1/4 Machinery Bushing	400146
16	Slotted Locknut	705070
17	1/2" Serrated Conical Washer	702821
18	1/2-13 x 1.50 HH Bolt Zinc	000435
19	9/16-12x1.5" HHB	000577
20	9/16" Serrated Conical Washer	705000

# Center Bolted Components



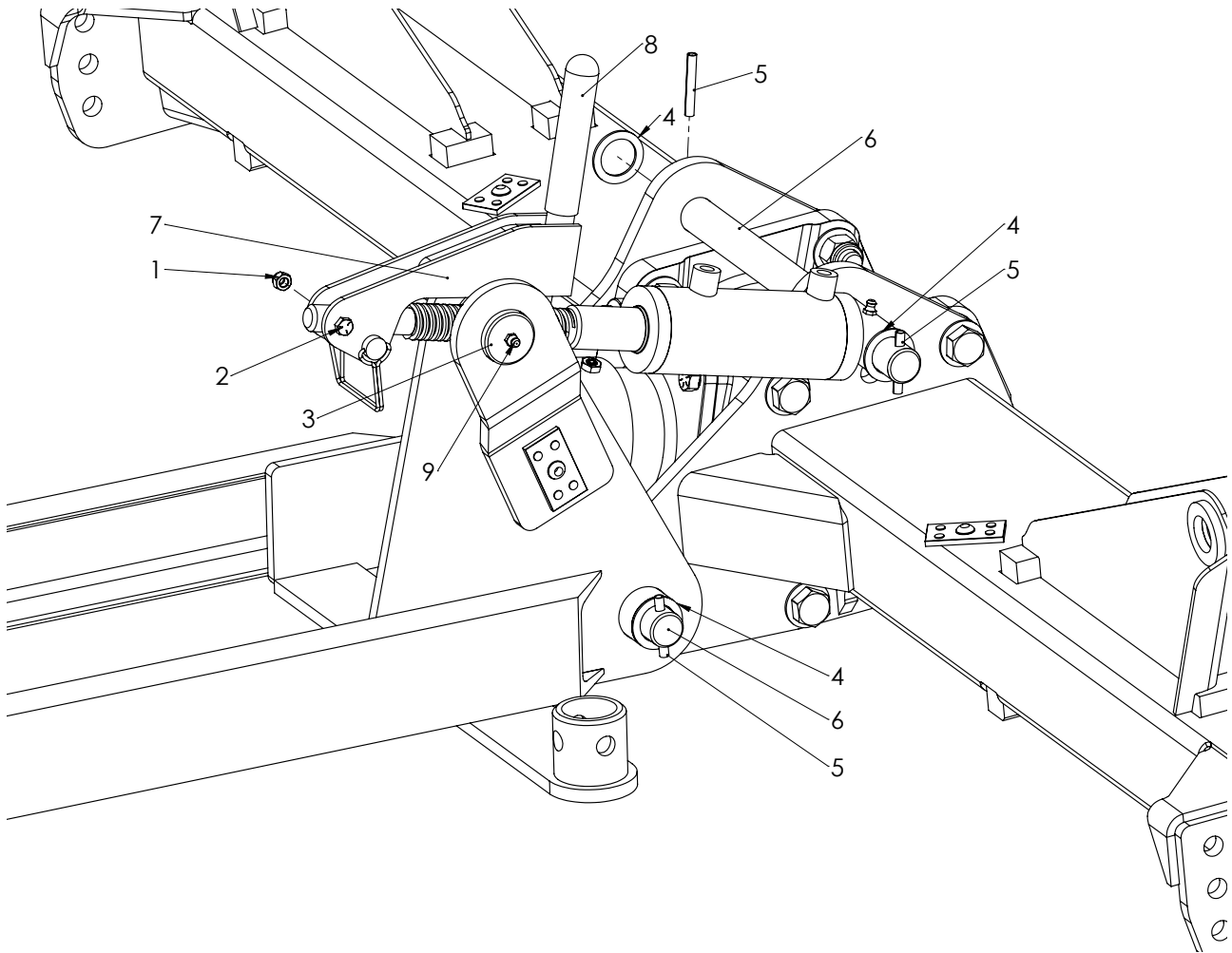
Ref#	Description	Part#
1	Owner's Manual Canister	503050
2	SMV Triangle	507166
3	Implement Shield	701205
4	Shield Mounting Bracket Weldment	703145
5	Center Bolting Apparatus	705020
6	5/8-11 x 2-3/4 Hex Head Bolt	000623
7	5/8 SAE Flat Washer	001076
8	5/8 Stover Locknut	900145
9	1/4 USS Flat Washer	001020
10	1/4-20 Nylon Lock Nut	003001
11	1/4-20 x 1 HH Bolt, - GR 5	100148
12	5/16-24 x 1/2 Set Screw	001121
13	5/16-24 Hex Jam Nut Zinc	001116

# Tine Rotor and Hardware



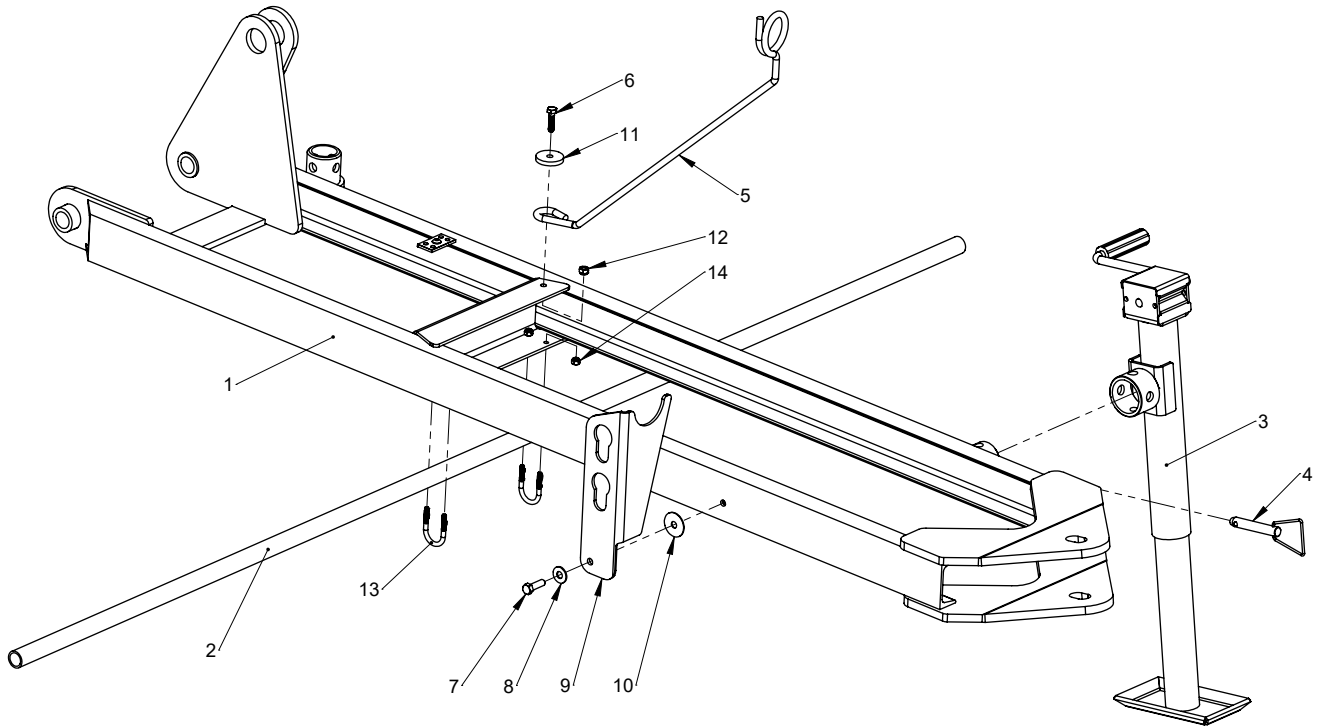
Ref#	Description	Part#
1	Wrap Guard	702734
2	3/8-16 x 2" Carriage Bolt w/short square	000158
3	Upper Tedder Arm Support	703962
4a	Flat Bar Grey Tine Cw	703905
4b	Flat Bar Black Tine Ccw	703903
5	1/2" Nylon Locknut	000950
6	Flat Bar Tine Washer	703904
7	1/2-13 x 2 Gr. 8 Hex Head Bolt	000453
8	3/8-16 Nylon Lock Nut	003000
9	Lower Tedder Arm Support	703961
10	7/16-14 x 1-1/2 SER Hex Head Bolt	000725
11	9/16" Serrated Conical Washer	705000
12	Flat Bar Tine Arm	703902
13	6 Arm Tine Plate	703900

# Tilt Cylinder Hardware



Ref#	Description	Part#
1	1/4-20 Nylon Lock Nut	003001
2	1/4-20 x 1-3/4 Hex Head Bolt	000187
3	Tongue Cylinder Mount	502218
4	1" x 1-1/2 Machinery Bushing	001008
5	1/4 x 1-3/4 Roll Pin	500187
6	Hitch Tilt Pin	705036
7	Tilt Handle	705038
8	.750 Handle Grip	900116
9	1/4-28 Spin Drive Fitting	400117

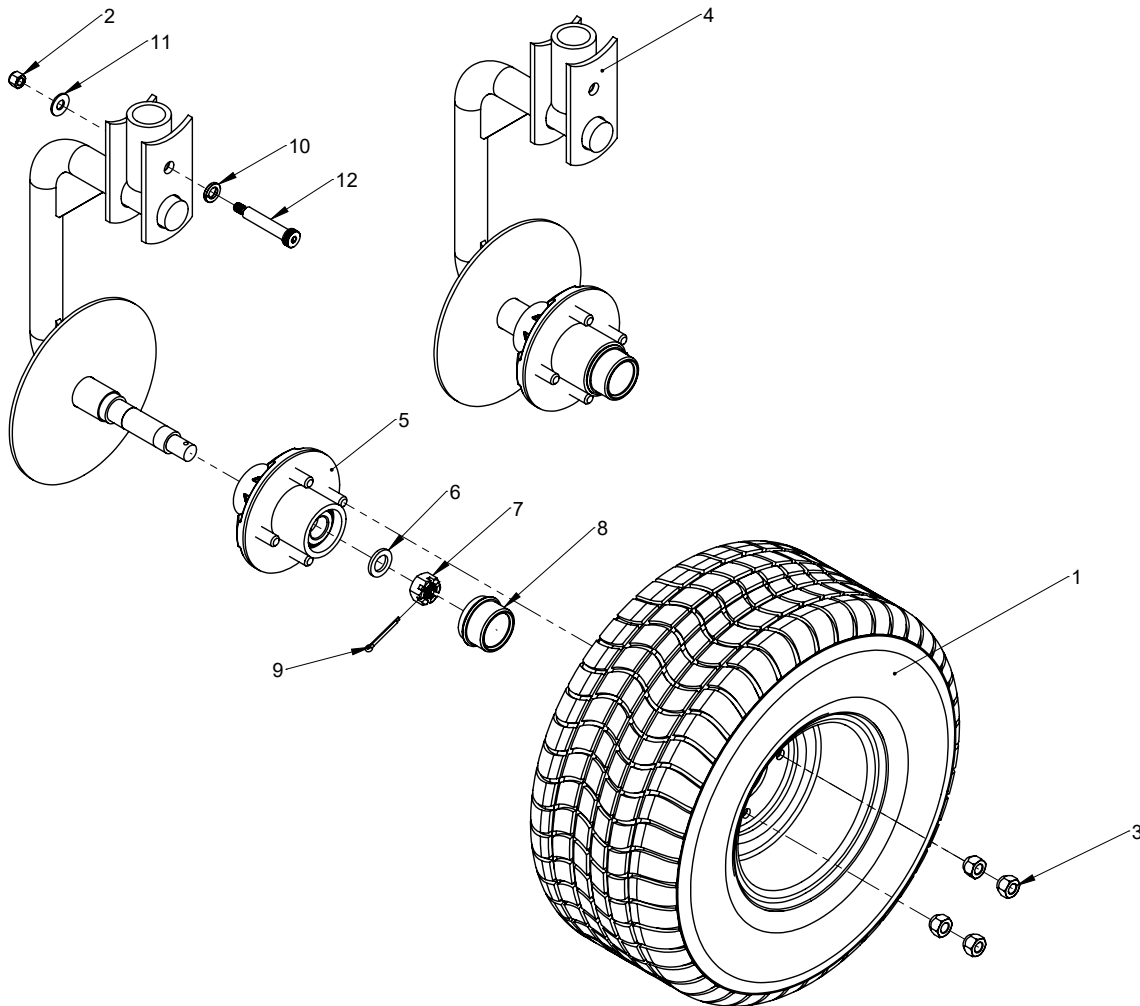
# Tongue and Bolt Components



Ref#	Description	Part#
1	HT46X Tongue	705022
2	Center Pipe Guard	705029
3	2K Side Wind Jack	903317
4	.563 Plated Pin & Chain w/ Drive	102121
5	Hose Support	502288
6	5/16-18 x 1-1/4 Hex Head Bolt	000230
7	3/8-16 x 1-1/4 Hex Head Bolt	000275
8	3/8 USS Flat Washer	001035
9	PTO Stand	500015
10	3/8 Fender Washer	001105
11	Hose Support Hold Down Washer	502308
12	5/16-18 Nylon Lock Nut	002999
13	1/4"-20 3/4" Pipe Zinc U-Bolt	705048
14	1/4-20 Nylon Lock Nut	003001

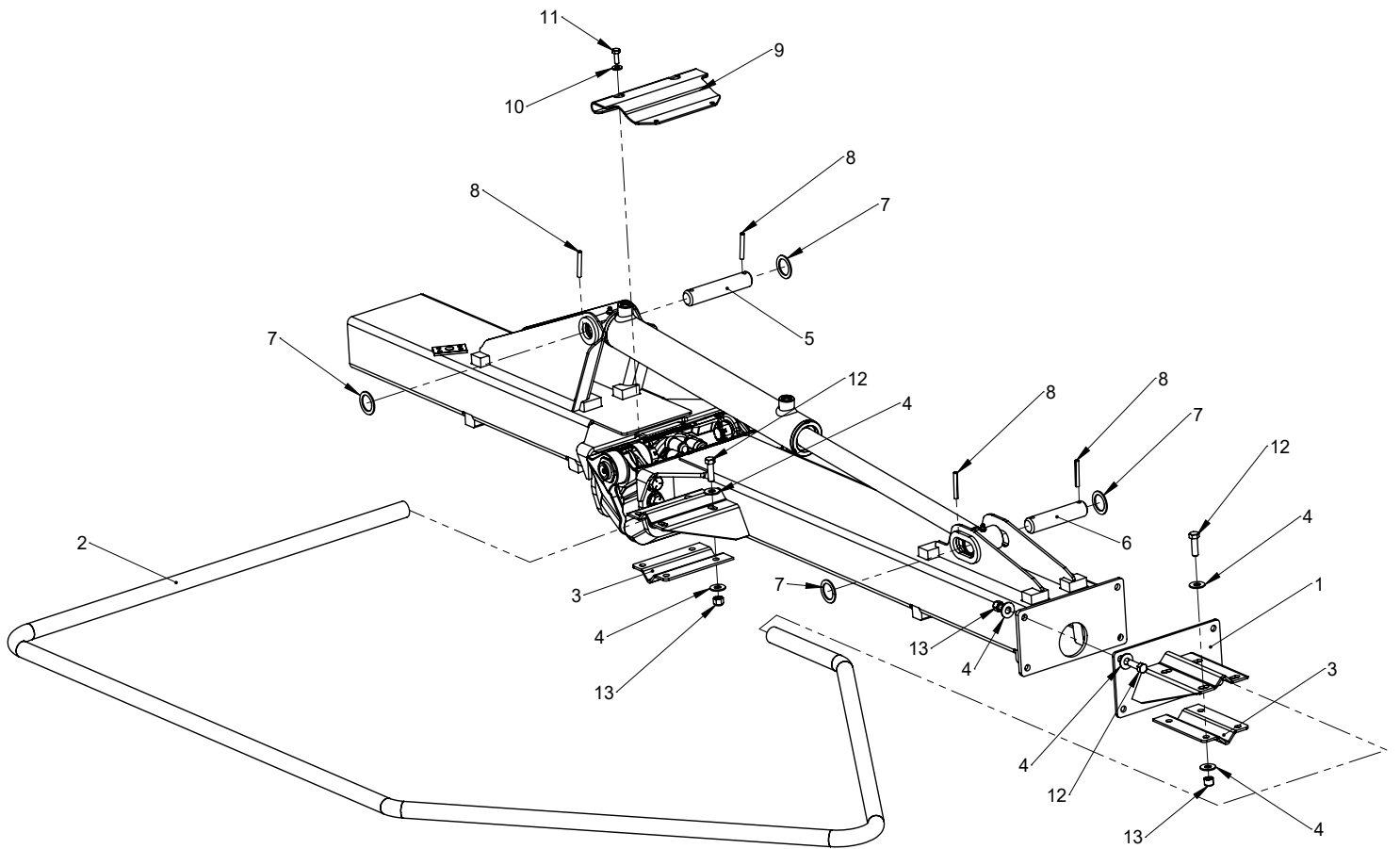


# Spindle and Wheel Hardware



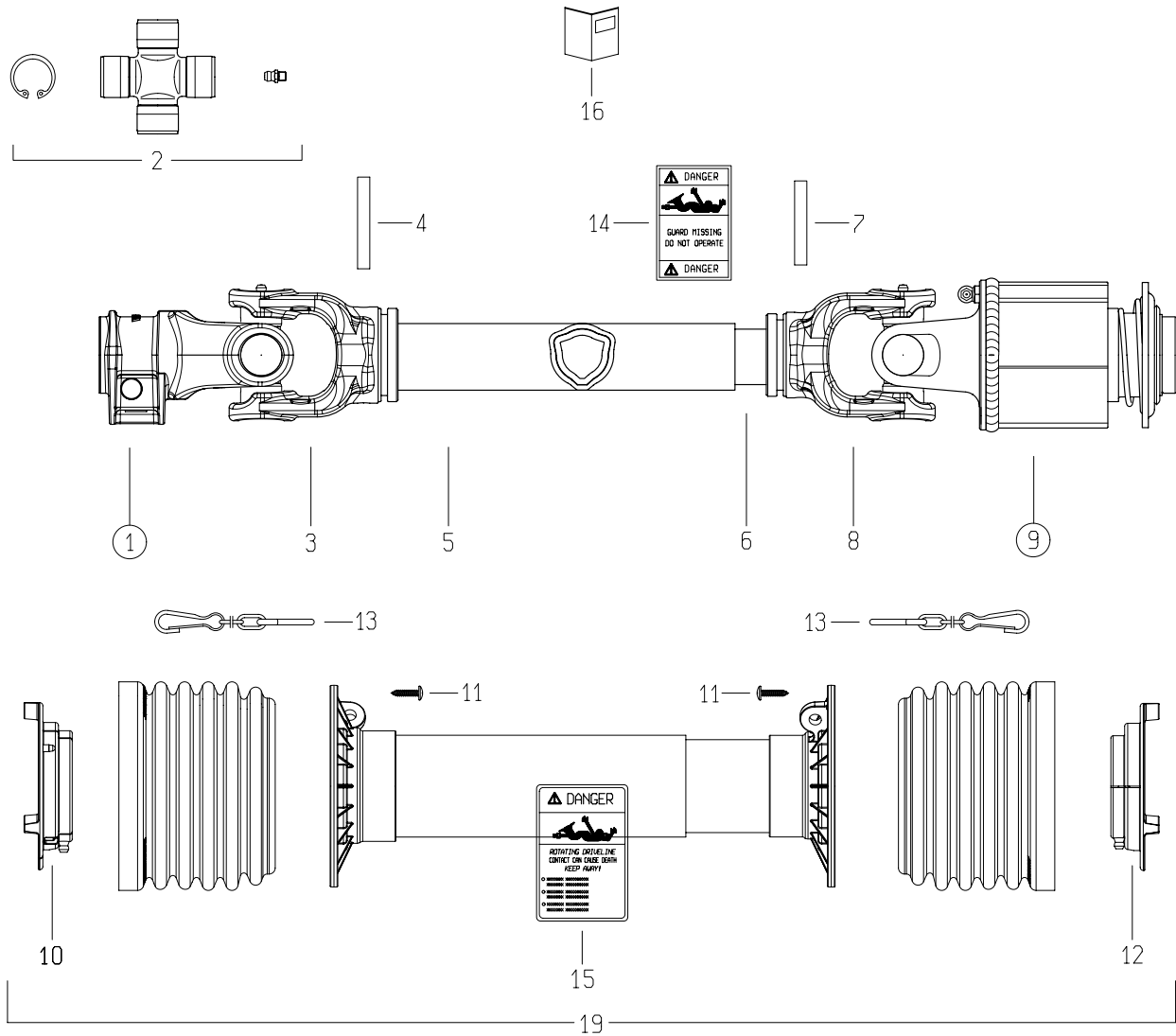
Ref#	Description	Part#
1	Tire and Wheel Assembly	500220
2	3/8-16 Nylon Lock Nut	003000
3	1/2" Cone Wheel Nut	101458
4	Wheel Frame Hub Assembly	703878
5	Hub Complete,-( 440S RV 4 on 4 )	501199
6	3/4 x 1-1/4 Machinery Bushing	400146
7	3/4-16 Castle Nut	508229
8	Hub Cap	500209
9	5/32 x 1-1/2 Cotter Pin	001215
10	1/2 Lock Washer	000840
11	3/8 USS Flat Washer	001035
12	1/2" Shoulder x 2-1/2" Shoulder	703772

# Wing Components



Ref#	Description	Part#
1	Guard Sleeve Weldment	702704
2	Outer Guard	702693
3	Guard Cradle	702696
4	3/8 USS Flat Washer	001035
5	Wing Base Pin	705082
6	Wing Rod Pin	705083
7	1" x 1-1/2 Machinery Bushing	001008
8	1/4 x 1-3/4 Roll Pin	500187
9	Casting Finger Cover	705026
10	1/4 SAE Flat Washer	001021
11	1/4-20 x 3/4 H.H.B. Grade 5	000175
12	3/8-16 x 1-1/4 Hex Head Bolt	000275
13	3/8-16 Nylon Lock Nut	003000

# PTO Shaft



Ref#	Description	Part#
1	Yoke #4/S4 1-3/8"Z6 Shrouded Pin (007)	500427
2	Cross Kit S4-G4 27X74.6 Cap Zerk	500428
3	Tube Yoke #4-G4 Outer (43.5)	500429
4	Flexible Roll Pin 8X60 Din1481	500430
5	Cardan Tube Outer 12508 L=1270	500431
6	Cardan Tube Inner 12507 L=1270	500432
7	Flexible Roll Pin 8X55 Din1481	500433
8	Tube Yoke #4-G4 Inner (36.0)	500434
9	Ratchet Clutch Assembly	500435

Ref#	Description	Part#
10	Shield Support Outer G3-G4	500436
11	Screw 4.8X22 Self Tap Zinc	500417
12	Shield Support Inner G3-G4	500437
13	Shield Chain W/S-Hook L=500Mm	500420
14	Label - Danger - Outer Drive Tube	500421
15	Label - Danger - Outer Shield Tube	500422
16	Instruction Booklet	500423
19	Complete Shield Kit	500440
	Complete PTO	701034

# Decals

① **PEQUEEA**

② **46X**

③ **WARNING**

Do not exceed this implement's maximum transport speed of 32km/h (20mph).  
Exceeding this speed may result in loss of control during transport or braking and serious injury or death.

Transport only with a properly ballasted tractor and a properly attached safety tow chain. Do not transport with a motor vehicle. Reduce speed and use additional caution when on inclines, towing under adverse surface conditions, and turning.

④ **WARNING**

**THROWN OBJECTS**

Do not operate near people. Debris can be thrown a long distance.

⑤ **WARNING**

To help prevent entanglement, stand clear of tines.

Disengage and shut off all engine power before adjusting tine height.

⑥ **WARNING**

High-Pressure hydraulic oil leaks can penetrate skin resulting in serious injury, gangrene, or death.

- Check for leaks with cardboard; never use hand.
- Before loosening fittings, lower load, release pressure, and be sure oil is cool.
- Consult physician immediately if skin penetration occurs.

⑦ **WARNING**

Avoid serious injury from falling wings during service or transport.

- Install lock chains or cylinder locks before transporting or parking implement with wings raised.
- Do not service or adjust with wings raised.
- Make sure bystanders are clear before lowering wings.



⑩ **CAUTION**

To avoid serious injury:

- Read Operator's Manual before operating, servicing or repairing equipment. Follow all safety rules and instructions. (Manuals are available from your selling dealer.)
- Never allow riders.
- Keep bystanders away from equipment during operation.
- Operate from tractor seat only.
- Keep all shields in place and good condition.
- Lower equipment to ground, stop engine, remove key and set brake before dismounting tractor.
- Never allow children or untrained persons to operate equipment.

⑪ **CAUTION**

Operate only with 540 rpm PTO

Ref#	Description	Part#	Qty
1	Pequeea Decal X Series	705085	1
2	46X Decal	705086	2
3	Warning, Speed	903124	1
4	Warning, Thrown Objects	903106	2
5	Warning, Prevent Entanglement	903123	2
6	Warning, Hydraulic Pressure	903114	1
7	Warning, Crushing Hazard	903134	1
8	Amber Retroreflective Decal	903121	1
9	Red Retroreflective Decal	903112	2
10	Caution, General Information	903103	1
11	Caution, 540 PTO	903107	1
	Complete Decal Kit, HT46X	705071	1

To Be Continued