

Contents

240 Series Standard Pick-Up Sweeper

5' Standard Pick-Up Sweeper

5' Sweeper Frame Assembly -240 Series 1
Bearing Assembly - 28-10998 3
5' Core Assembly - 28-10999 5
Motor Assembly - 28-11030 7
5' Cutting Edge Assembly - 28-11005 9
Caster Wheel Assembly - 28-11006 11
Hydraulic Kit - 240 Series 13

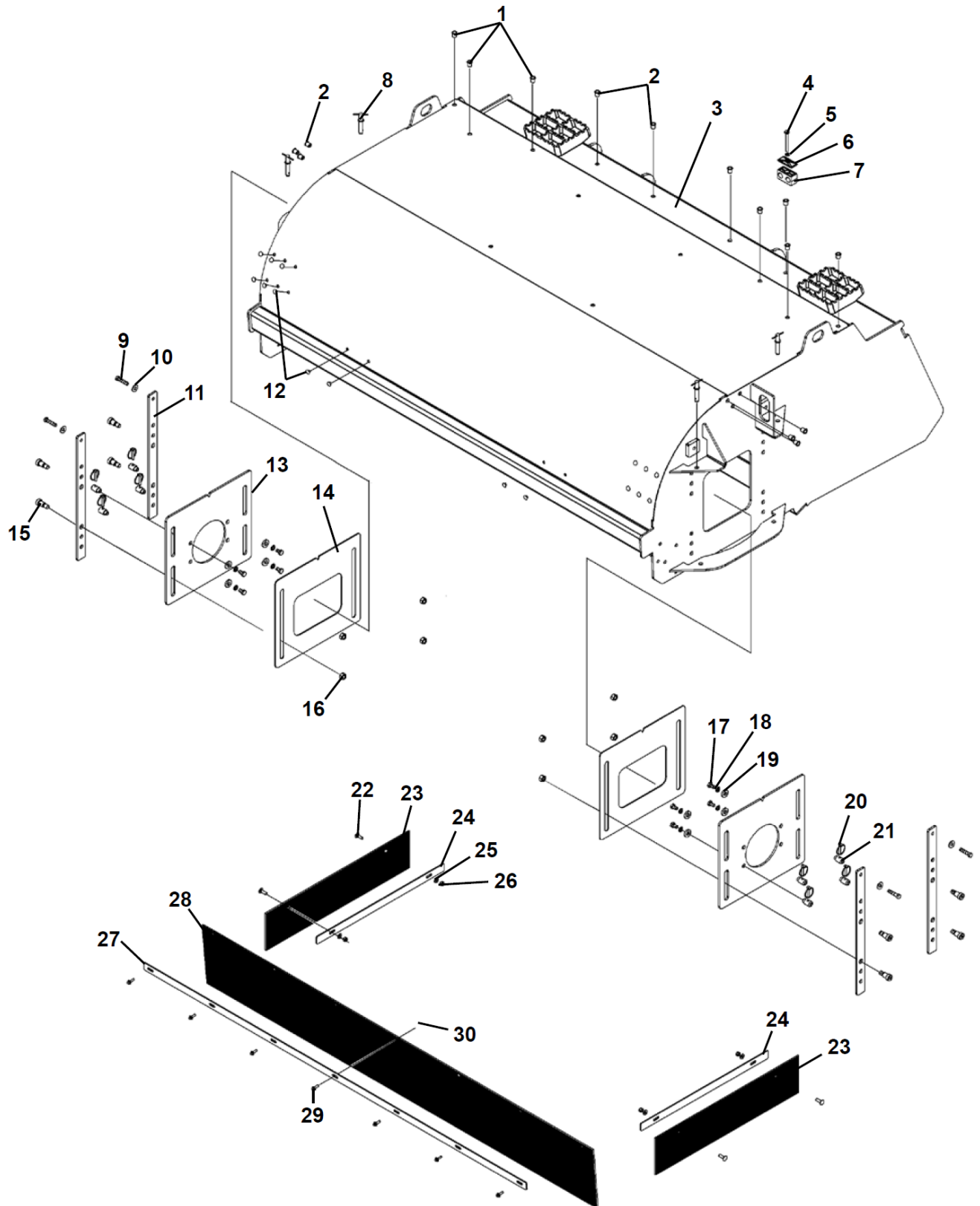
6' Standard Pick-Up Sweeper

6' Sweeper Frame Assembly -240 Series 15
Bearing Assembly - 28-10998 17
6' Core Assembly - 28-10999 19
Motor Assembly - 28-11030 21
6' Cutting Edge Assembly - 28-11005 23
Caster Wheel Assembly - 28-11006 25
Hydraulic Kit - 240 Series 27

7' Standard Pick-Up Sweeper

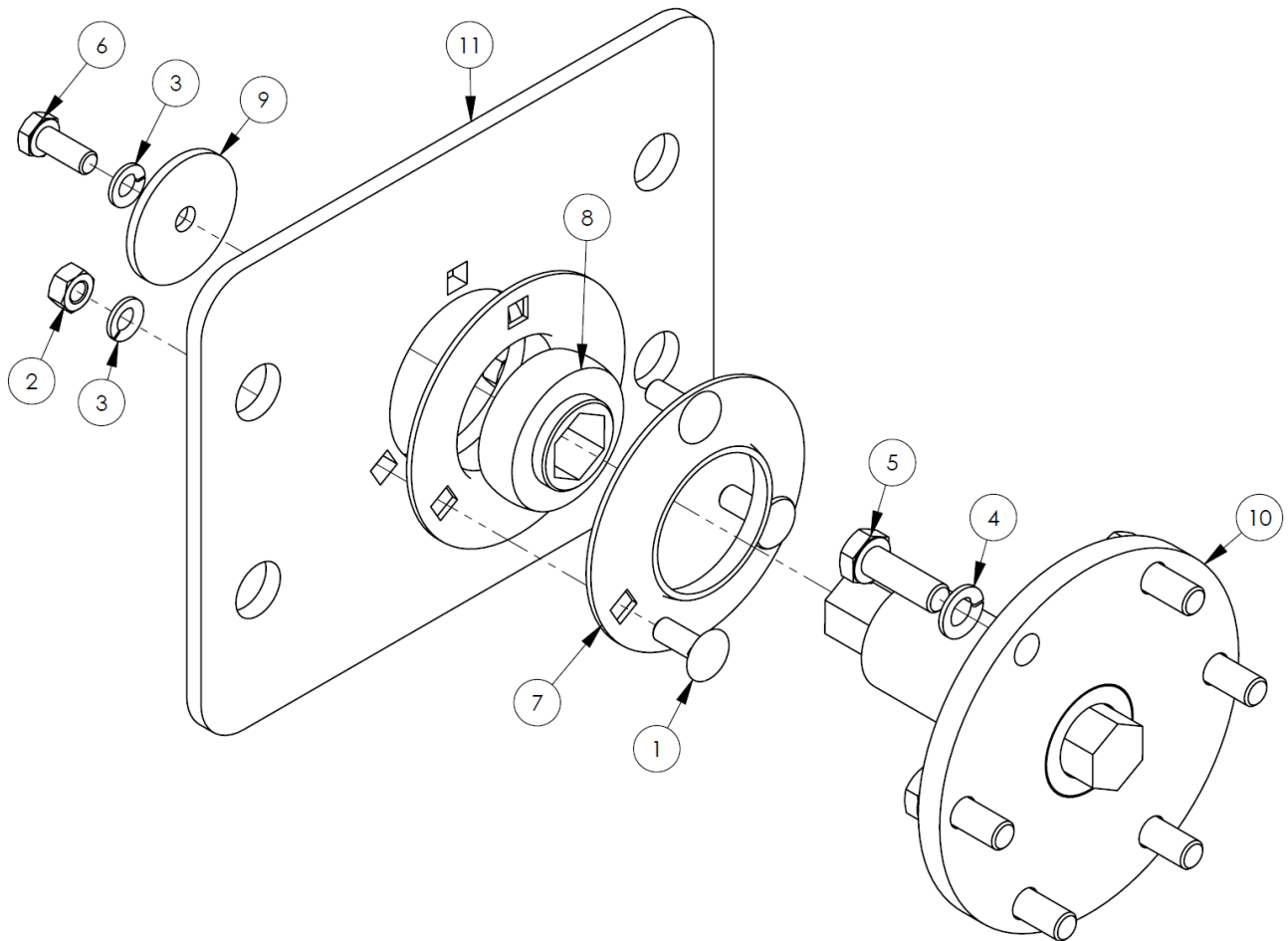
7' Sweeper Frame Assembly -240 Series 29
Bearing Assembly - 28-10998 31
7' Core Assembly - 28-10999 33
Motor Assembly - 28-11030 35
7' Cutting Edge Assembly - 28-11005 37
Caster Wheel Assembly - 28-11006 39
Hydraulic Kit - 240 Series 41

5' Standard Pick-Up Sweeper



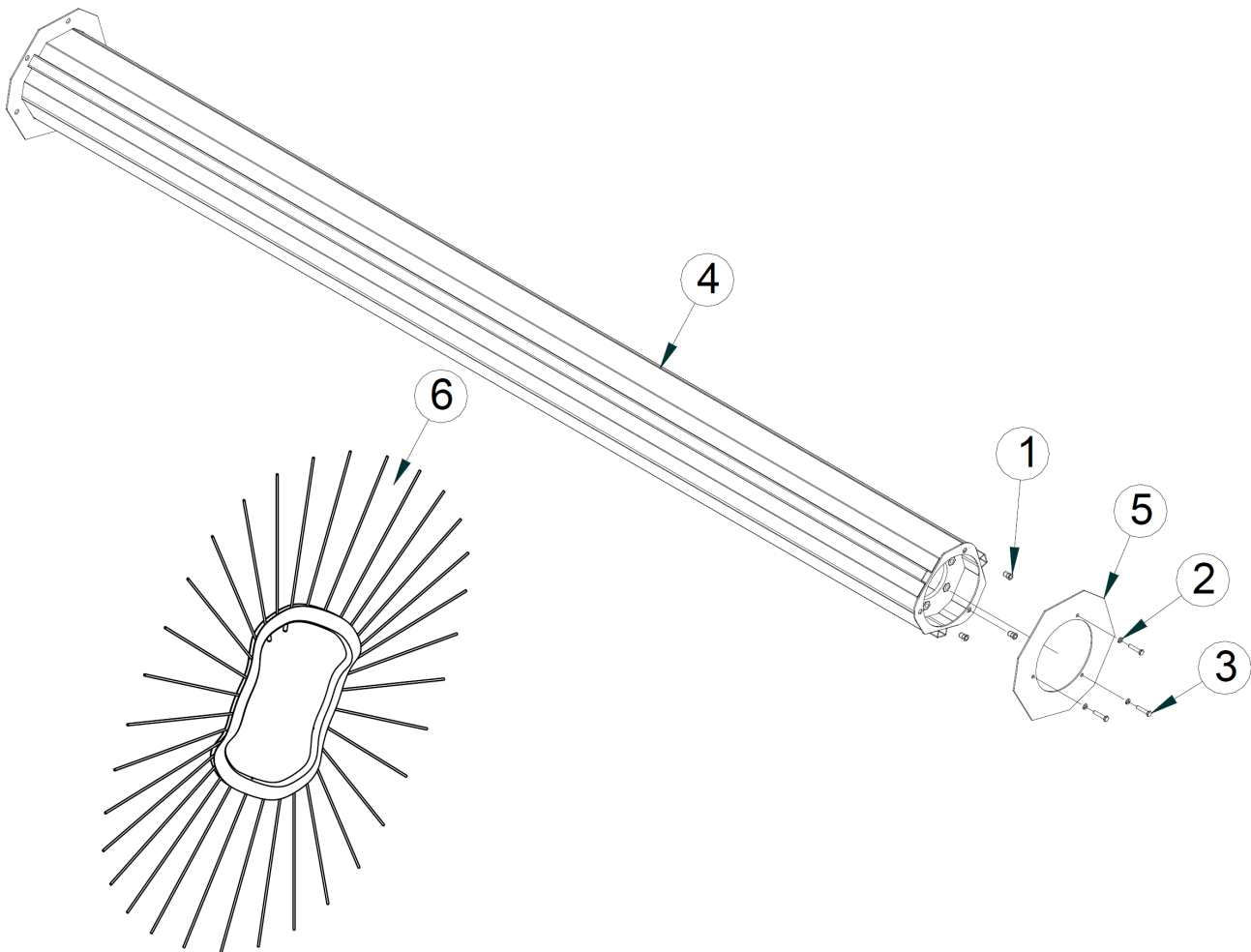
Item	Qty	Part No.	Name	Additional Info
1	6	RHW8645	.31" Rivet Nut	
2	10	RHW8642	.31" UNC Rivet Nut	
3	1	13-19545-60	60" Sweeper Frame	
4	1	07-3651	.31" UNC X 3.00" Hex Capscrew - GR8	
5	1	07-3273	.31" Lock Washer	
6	1	RHW8614	Cover Plate	
7	1	RHW8616	Hose Cradle	
8	4	07-7077	T-Handle Quick Release Pin	
9	4	07-3656	.38" UNC X 1.75" Hex Capscrew - GR8	
10	4	07-3279	.38" Flat Washer - GR8	
11	4	13-19465	Retainer Plate	
12	16	LAF9853	.38" Plug - Plastic	
13	2	13-19464	Slider Plate	
14	2	07-9235	Slider Wear Plate	
15	8	07-10058	.62" X .75" Socket Head Shoulder Capscrew	
16	8	RHW7403-0000	.50" UNC Torque Lock Nut	
17	8	07-6769	M10-1.5 X 16mm Hex Capscrew - CL10.9	
18	8	07-3747	M10 Lock Washer	
19	8	P852608	.50" Hard Washer	
20	8	RHW8068-0000	Lynch Pin - .25"	
21	8	13-14083	Motor Mounting Stud	
22	4	07-3438	.31" UNC X 1.00" Carriage Bolt	
23	2	13-19275	Side Flap	
24	2	13-19276	Clamp Plate	
25	4	P850105	.31" Flat Washer	
26	4	07-3270	.31" UNC Nylock Nut - GR8	
27	1	13-15276	Plate .12" X 1.25" X 60"	
28	1	13-19462-60	60" Flap	
29	6	07-2952	M6-1.00 X 20mm Hex Flange Head Capscrew	
30	6	07-2956	M6-1.00 Insert Nut	

5' Standard Pick-Up Sweeper



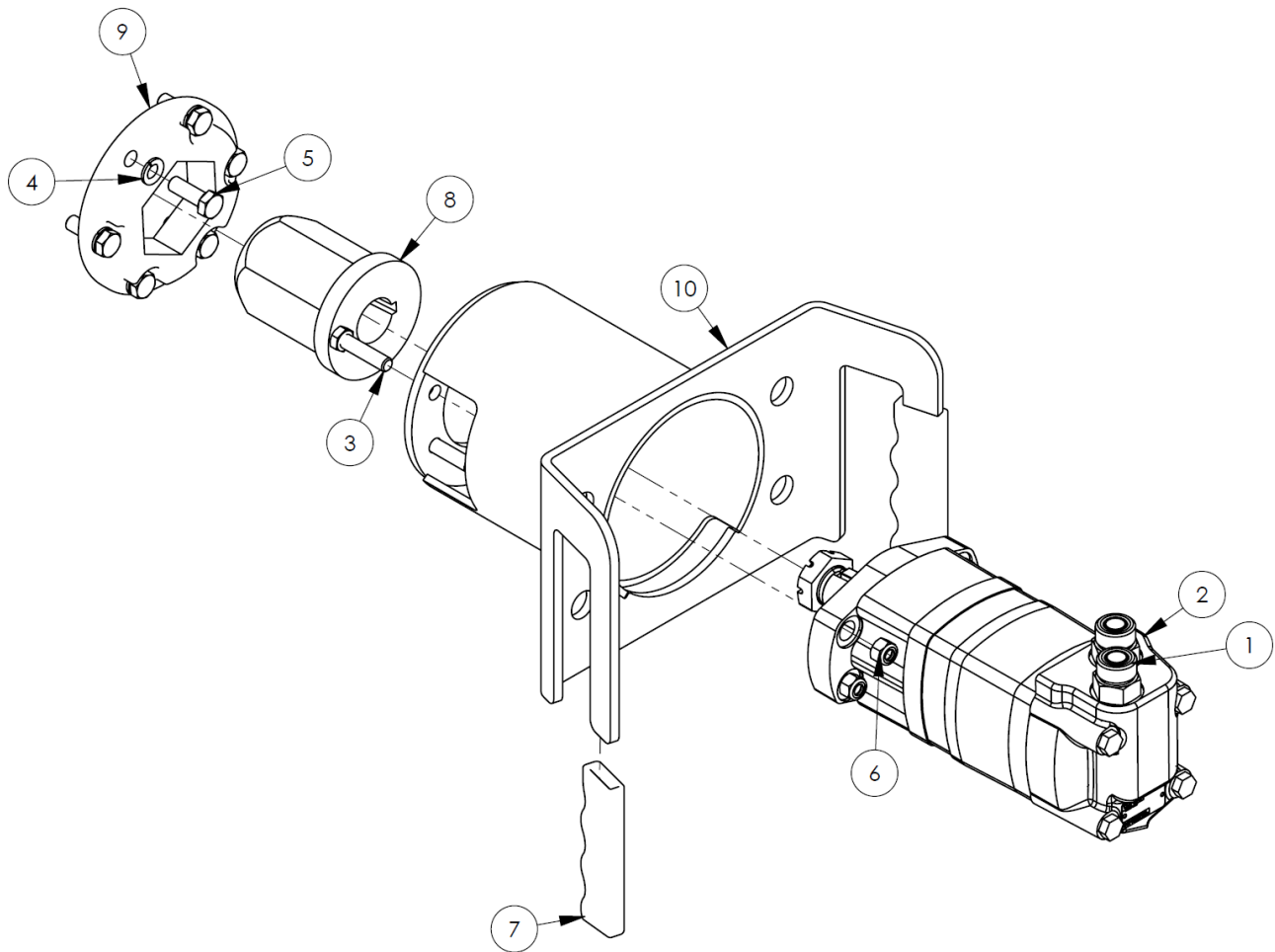
Item	Qty	Part No.	Name	Additional Info
1	3	07-2950	M8-1.25 X 20mm Carriage Bolt - CL8.8	
2	3	07-3737	M8-1.25 Hex Nut - CL10	
3	4	07-3738	M8 Lock Washer	
4	6	07-3747	M10 Lock Washer	
5	6	37-3749	M10-1.50 X 30mm Hex Capscrew - CL10.9	
6	1	07-3777	M8-1.25 X 20mm Hex Capscrew - CL10.9	
7	2	08-0008	Flange Bearing - 3 Bolt	
8	1	08-0037	Bearing	(.62" Hex without Hub)
9	1	13-11903	.34" Flat Washer	
10	1	13-16923	Hex Shaft Idler - Bolt-On	
11	1	13-19286	Mounting Plate	

5' Standard Pick-Up Sweeper



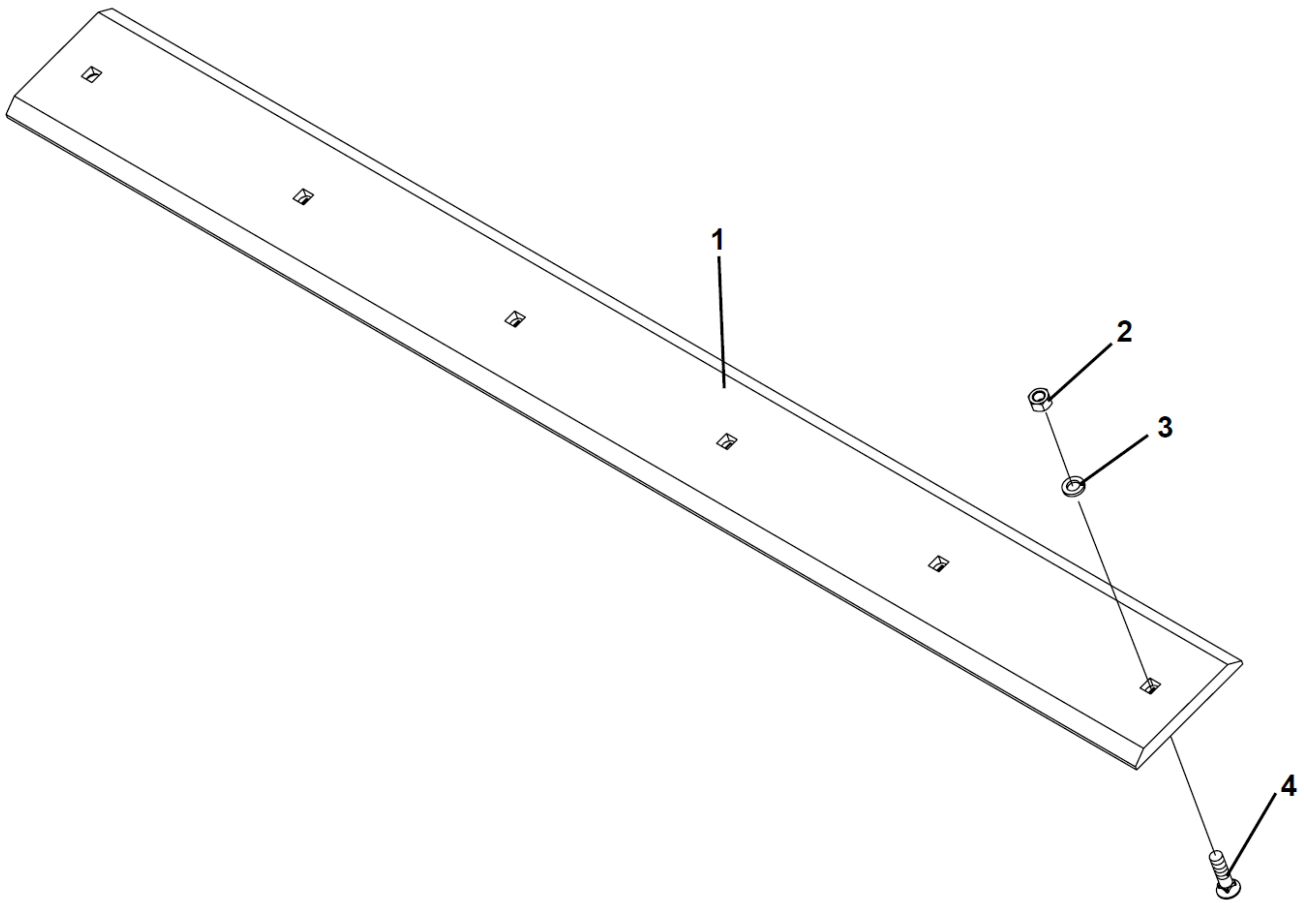
Item	Qty	Part No.	Name	Additional Info
1	3	07-3617	M6-1.00 Insert Nut	
2	3	07-3730	M6 Lock Washer	
3	3	07-3731	M6-1.0 X 30MM Hec Capscrew CL10.9	
4	1	13-19461-60	Core 8" X 60"	
5	1	13-15662	Retainer Plate	
6	-	01-1156	26" Brush Kit - Mixed	Includes 33 Mixed Brushes
6	-	01-0873	26" Brush Kit - Poly	Includes 33 Poly Brushes

5' Standard Pick-Up Sweeper



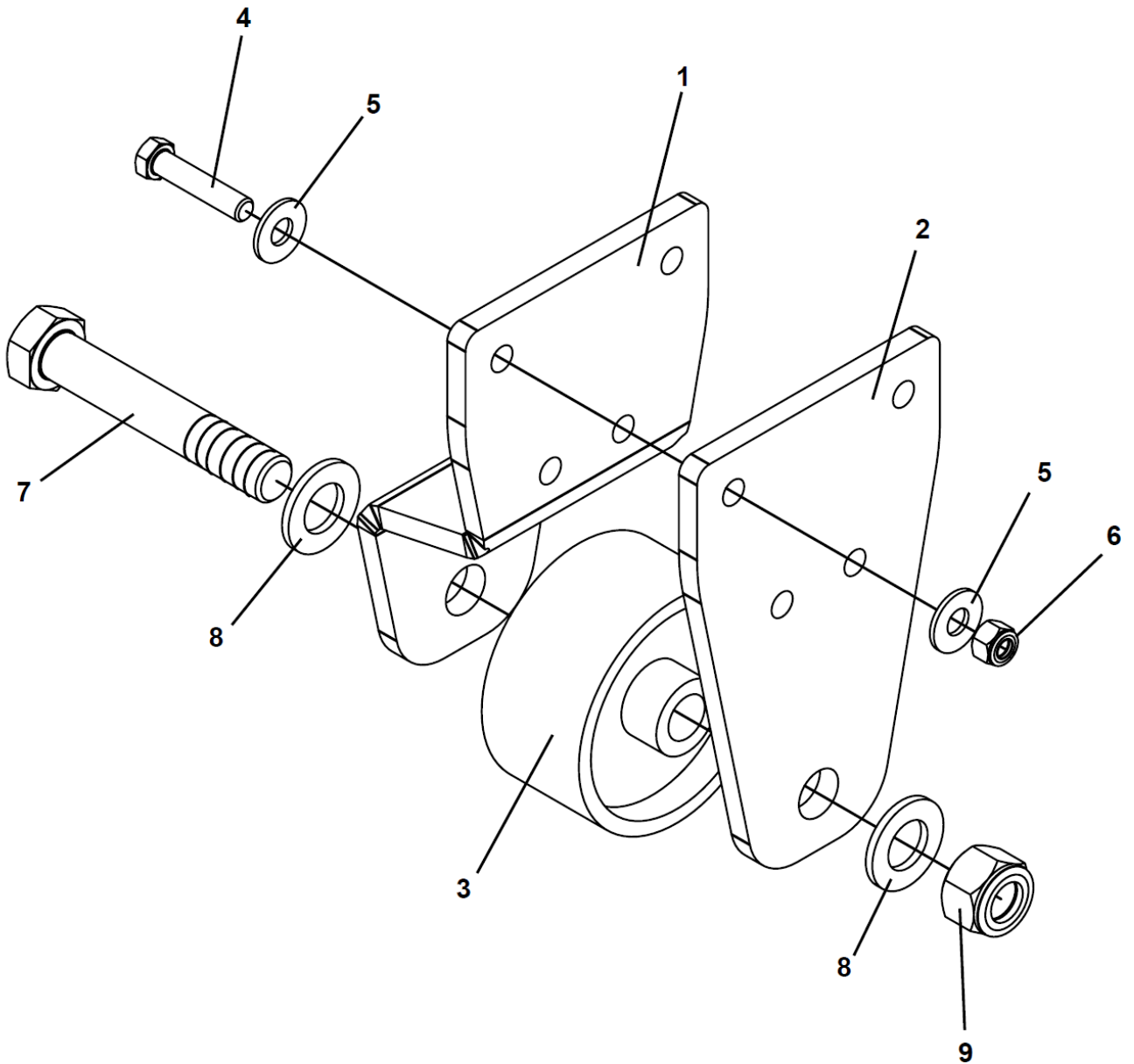
Item	Qty	Part No.	Name	Additional Info
1	2	03-5901	Fitting 10MBo-10MFS	
2	1	03-6712	Hydraulic Motor 24.7 CID	
2.1	-	03-6721	Seal Kit	
2.2	-	07-9289	Replacement Key	
2.3	-	07-4568	Motor Shaft Lock Nut	
3	4	07-3655	.38" UNC X 1.50" Hex Capscrew - GR8	
4	6	07-3747	M10 Lock Washer	
5	6	07-3749	M10-1.5 X 30MM Hex Capscrew - CL10.9	
6	4	07-4036	.38" UNC Nylock Nut	
7	2	07-9249	Grip	
8	1	13-15206	Hex Hub	
9	1	13-16225	2.50" Hex Receiver Plate	
10	1	13-19466	Motor Bucket Mounting	

5' Standard Pick-Up Sweeper



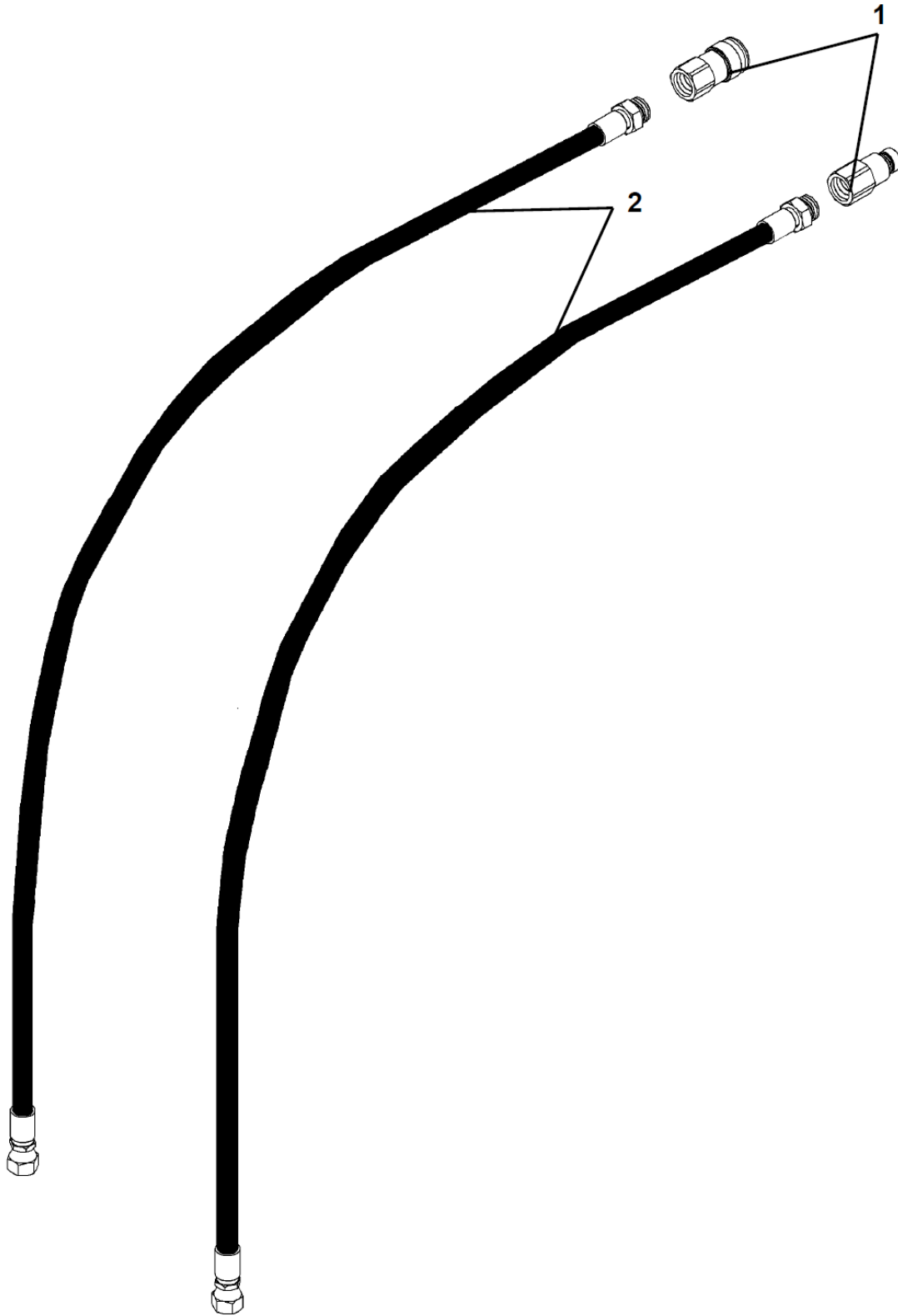
Item	Qty	Part No.	Name	Additional Info
1	1	LAF8361	Bolt-On Cutting Edge .62" X 6" X 60"	
2	6	07-1764	.50" UNC Hex Nut - GR8	
3	6	07-1762	.50" Lock Washer	
4	6	07-8186	.50" UNC X 2.00" Plow Bolt - GR8	

5' Standard Pick-Up Sweeper



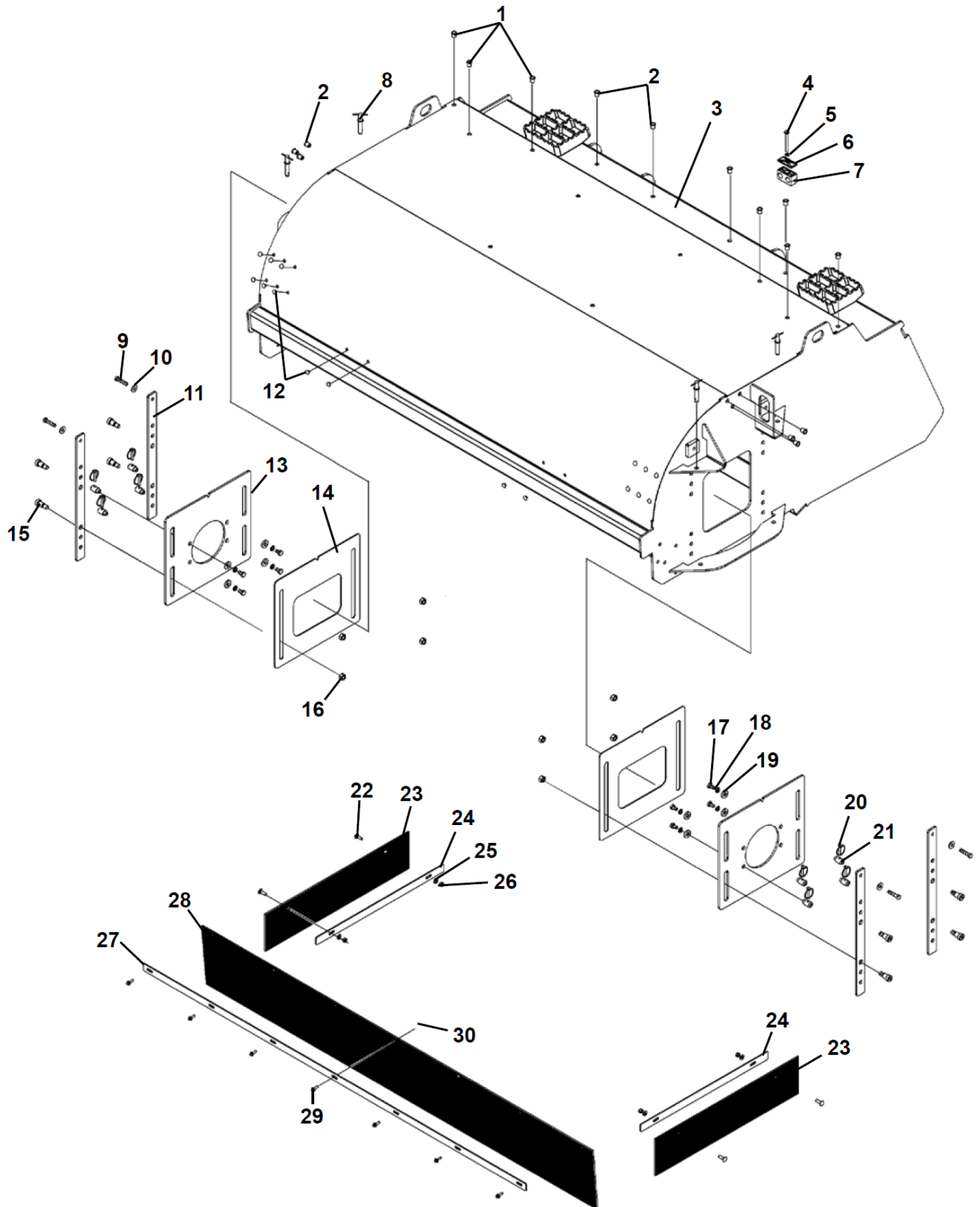
Item	Qty	Part No.	Name	Additional Info
1	1	13-19614	Outer Wheel Bracket	
2	1	13-19613	Inner Wheel Bracket	
3	1	07-9248	Caster Wheel	
4	4	07-3656	.38" UNC X 1.75" Hex Capscrew - GR8	
5	8	07-3279	.38" Flat Washer - GR8	
6	4	07-4036	.38" UNC Nylock Nut	
7	1	P101218	.75" UNC X 4.50" Hex Capscrew	
8	2	P850812	.75" SAE Washer	
9	1	07-7687	.75" UNC Nylock Nut - GR8	

5' Standard Pick-Up Sweeper



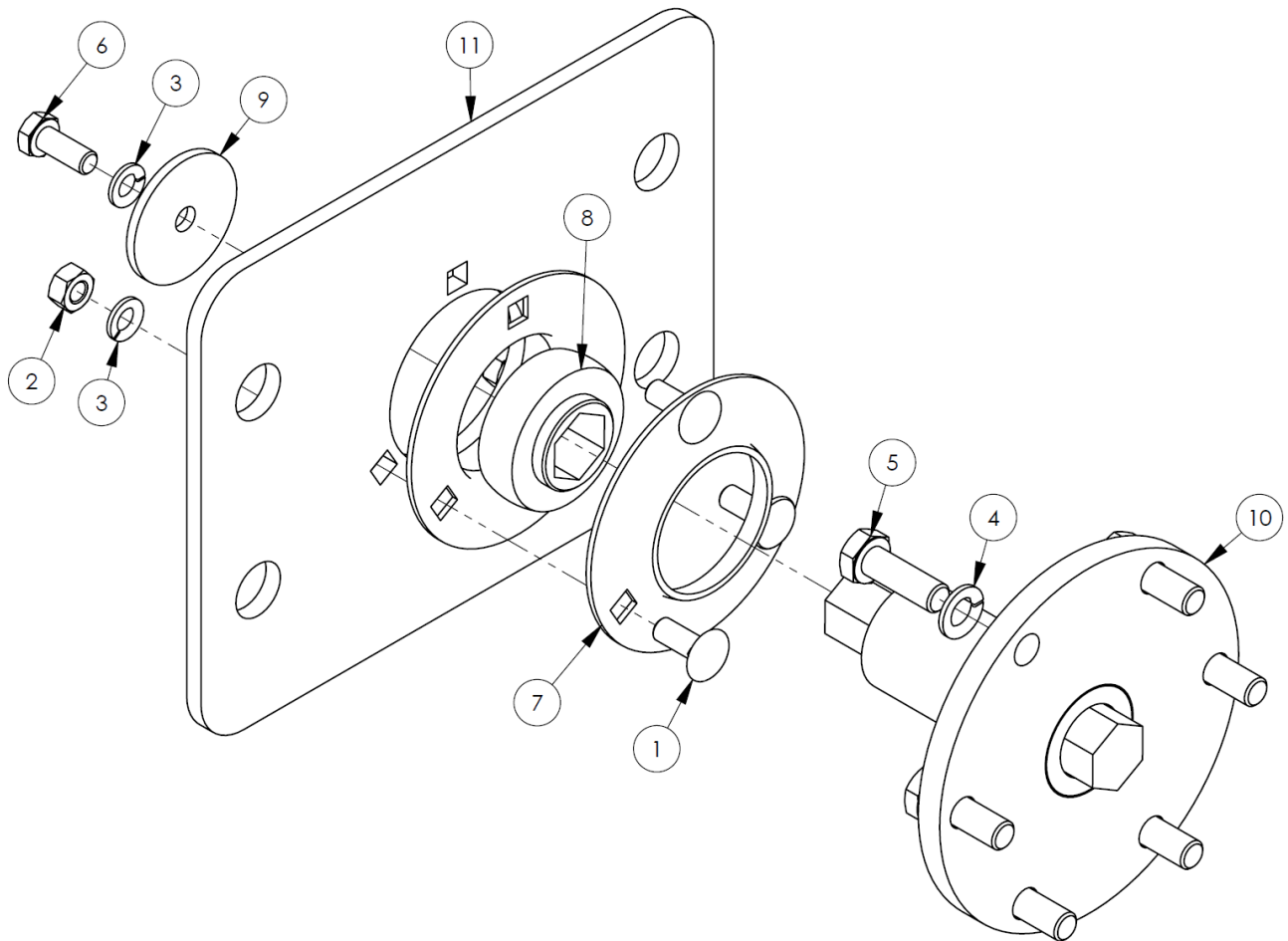
Item	Qty	Part No.	Name	Additional Info
1	1	28-9570	Quick Disconnect Kit - 28-9570	
1.1	-	P272670	Female Quick Coupler 8FFS-12FBo	
1.2	-	P272671	Male Quick Coupler 8FFS-12FBo	
2	2	03-5653	Hose .50" X 120" 10FFS-12MBo	

6' Standard Pick-Up Sweeper



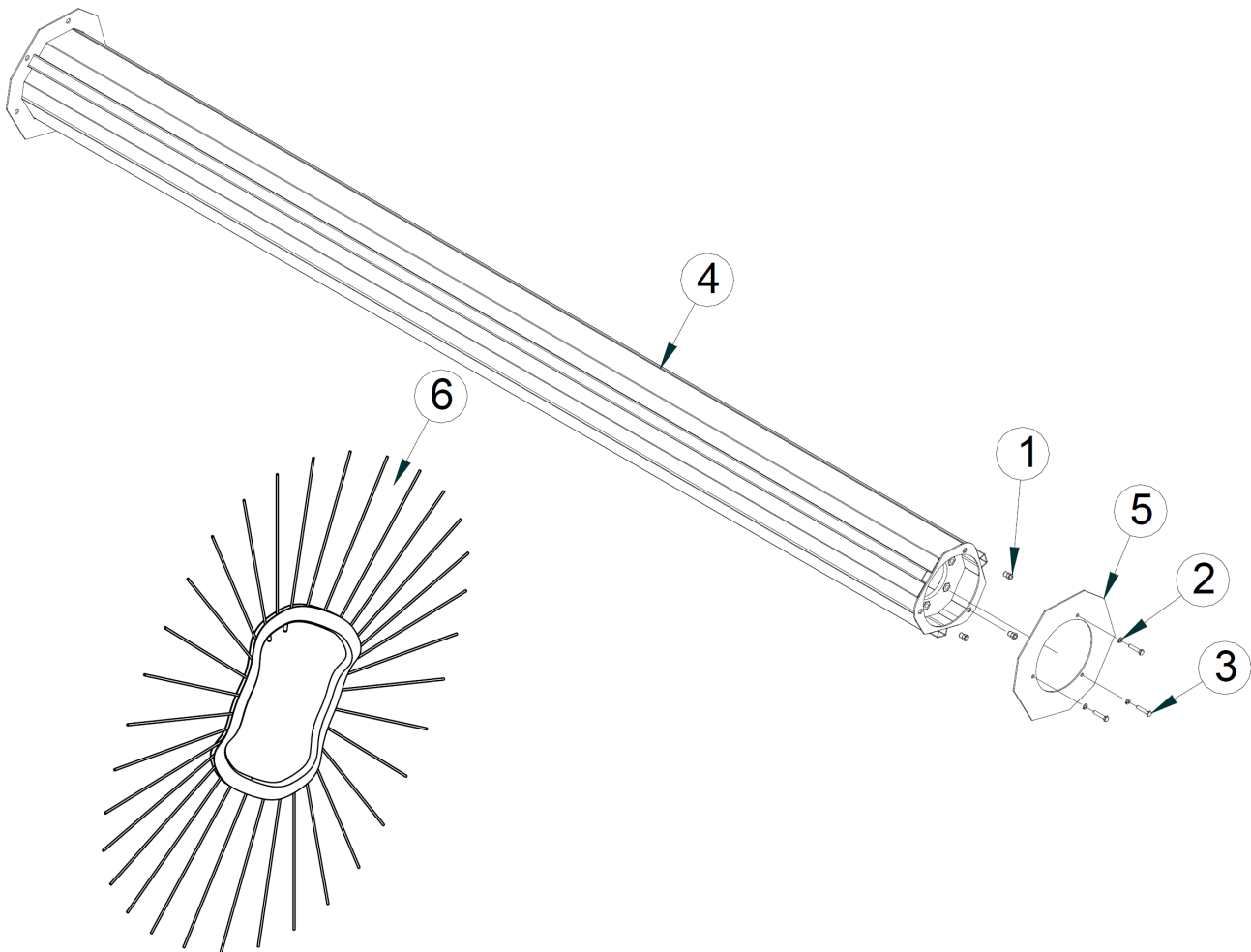
Item	Qty	Part No.	Name	Additional Info
1	6	RHW8645	.31" Rivet Nut	
2	10	RHW8642	.31" UNC Rivet Nut	
3	1	13-19545-72	72" Sweeper Frame	
4	1	07-3651	.31" UNC X 3.00" Hex Capscrew - GR8	
5	1	07-3273	.31" Lock Washer	
6	1	RHW8614	Cover Plate	
7	1	RHW8616	Hose Cradle	
8	4	07-7077	T-Handle Quick Release Pin	
9	4	07-3656	.38" UNC X 1.75" Hex Capscrew - GR8	
10	4	07-3279	.38" Flat Washer - GR8	
11	4	13-19465	Retainer Plate	
12	16	LAF9853	.38" Plug - Plastic	
13	2	13-19464	Slider Plate	
14	2	07-9235	Slider Wear Plate	
15	8	07-10058	.62" X .75" Socket Head Shoulder Capscrew	
16	8	RHW7403-0000	.50" UNC Torque Lock Nut	
17	8	07-6769	M10-1.5 X 16mm Hex Capscrew - CL10.9	
18	8	07-3747	M10 Lock Washer	
19	8	P852608	.50" Hard Washer	
20	8	RHW8068-0000	Lynch Pin - .25"	
21	8	13-14083	Motor Mounting Stud	
22	4	07-3438	.31" UNC X 1.00" Carriage Bolt	
23	2	13-19275	Side Flap	
24	2	13-19276	Clamp Plate	
25	4	P850105	.31" Flat Washer	
26	4	07-3270	.31" UNC Nylock Nut - GR8	
27	1	13-15277	Plate .12" X 1.25" X 72"	
28	1	13-19462-72	72" Flap	
29	7	07-2952	M6-1.00 X 20mm Hex Flange Head Capscrew	
30	7	07-2956	M6-1.00 Insert Nut	

6' Standard Pick-Up Sweeper



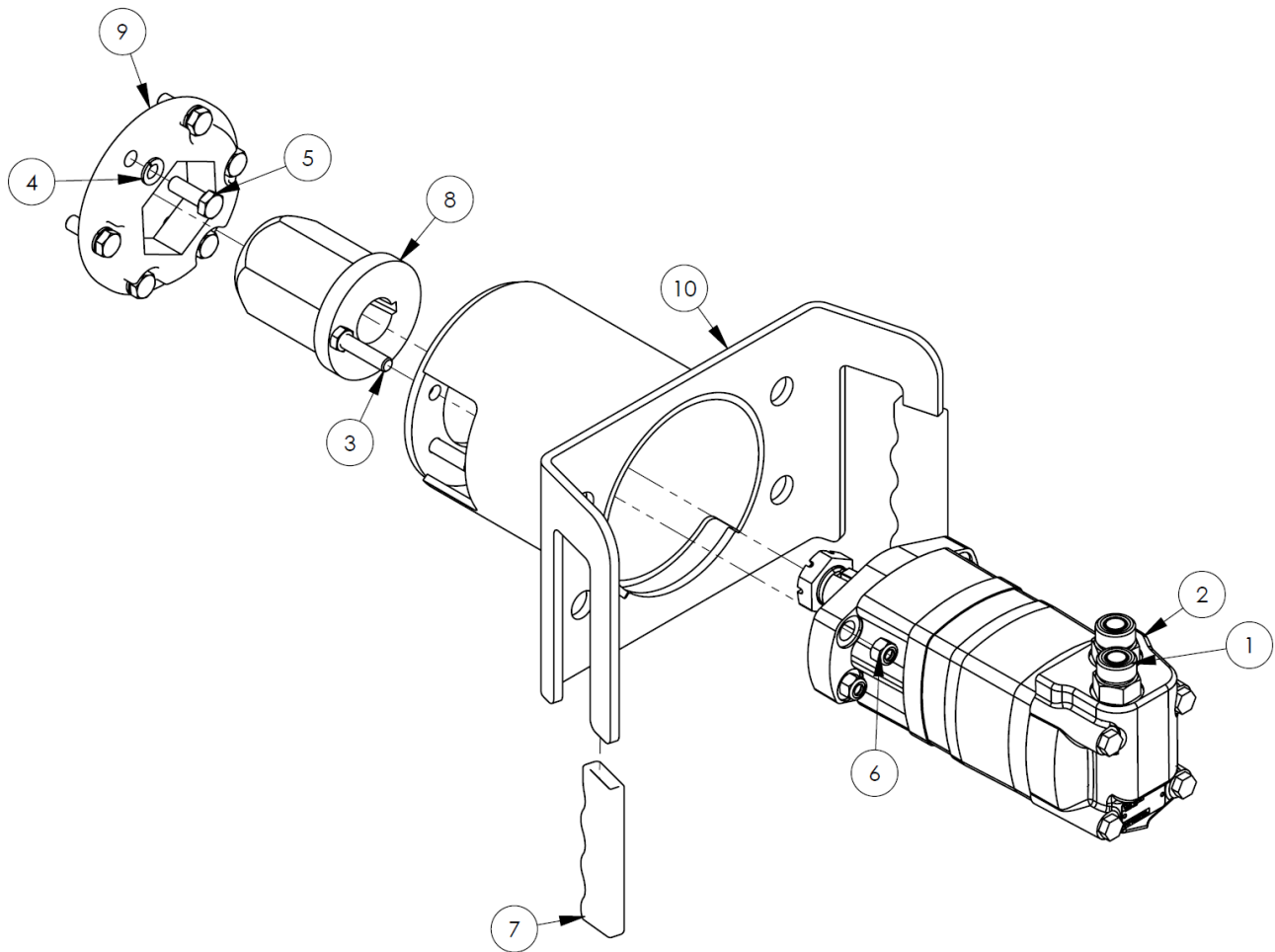
Item	Qty	Part No.	Name	Additional Info
1	3	07-2950	M8-1.25 X 20mm Carriage Bolt - CL8.8	
2	3	07-3737	M8-1.25 Hex Nut - CL10	
3	4	07-3738	M8 Lock Washer	
4	6	07-3747	M10 Lock Washer	
5	6	37-3749	M10-1.50 X 30mm Hex Capscrew - CL10.9	
6	1	07-3777	M8-1.25 X 20mm Hex Capscrew - CL10.9	
7	2	08-0008	Flange Bearing - 3 Bolt	
8	1	08-0037	Bearing	(.62" Hex without Hub)
9	1	13-11903	.34" Flat Washer	
10	1	13-16923	Hex Shaft Idler - Bolt-On	
11	1	13-19286	Mounting Plate	

6' Standard Pick-Up Sweeper



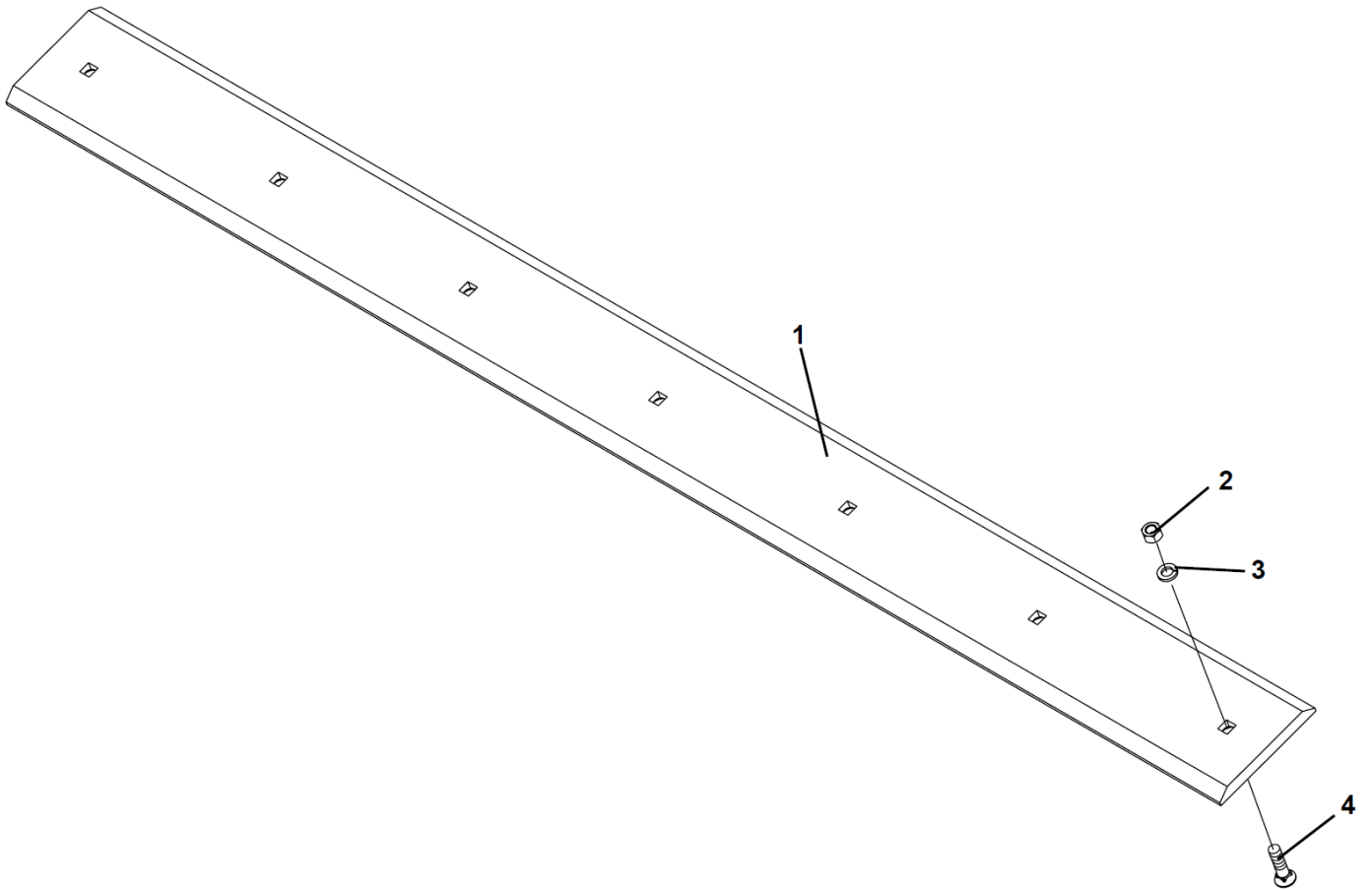
Item	Qty	Part No.	Name	Additional Info
1	3	07-3617	M6-1.00 Insert Nut	
2	3	07-3730	M6 Lock Washer	
3	3	07-3731	M6-1.0 X 30MM Hec Capscrew CL10.9	
4	1	13-19461-72	Core 8" X 72"	
5	1	13-15662	Retainer Plate	
6	-	01-9371	26" Brush Kit - Mixed	
6	-	01-9370	26" Brush Kit - Poly	Includes 40 Poly Brushes

6' Standard Pick-Up Sweeper



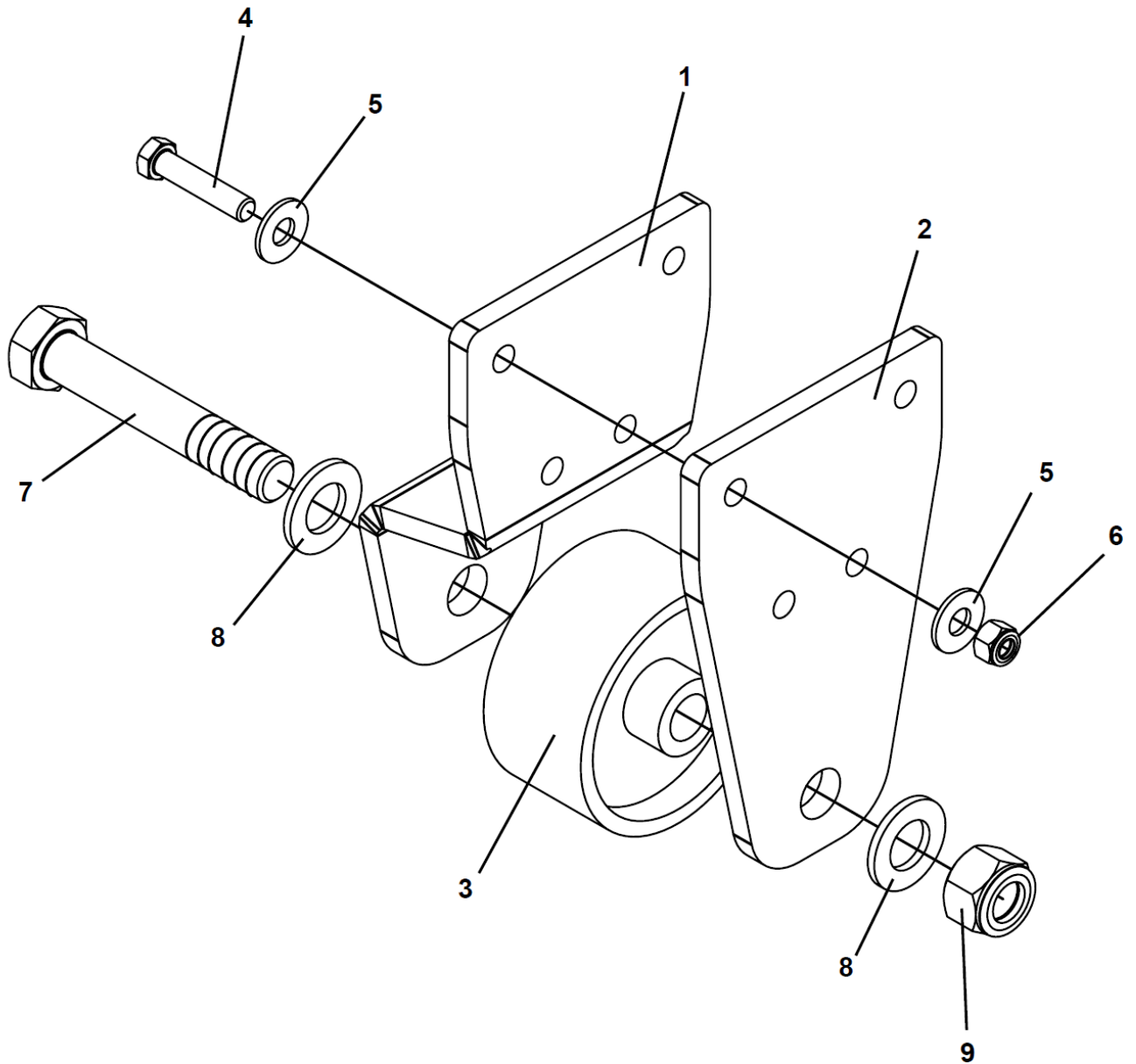
Item	Qty	Part No.	Name	Additional Info
1	2	03-5901	Fitting 10MBo-10MFS	
2	1	03-6712	Hydraulic Motor 24.7 CID	
2.1	-	03-6721	Seal Kit	
2.2	-	07-9289	Replacement Key	
2.3	-	07-4568	Motor Shaft Lock Nut	
3	4	07-3655	.38" UNC X 1.50" Hex Capscrew - GR8	
4	6	07-3747	M10 Lock Washer	
5	6	07-3749	M10-1.5 X 30MM Hex Capscrew - CL10.9	
6	4	07-4036	.38" UNC Nylock Nut	
7	2	07-9249	Grip	
8	1	13-15206	Hex Hub	
9	1	13-16225	2.50" Hex Receiver Plate	
10	1	13-19466	Motor Bucket Mounting	

6' Standard Pick-Up Sweeper



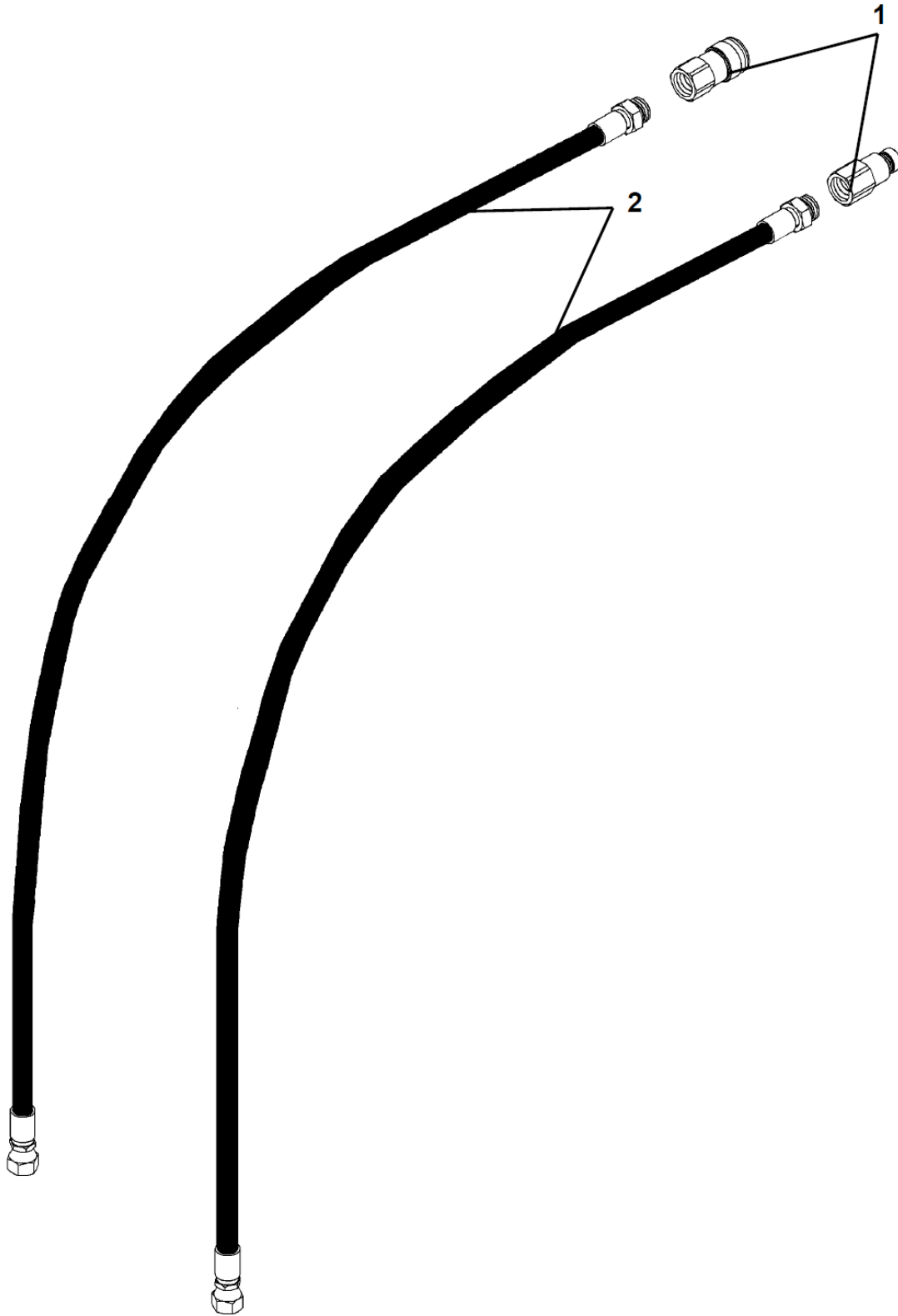
Item	Qty	Part No.	Name	Additional Info
1	1	LAF2803	Bolt-On Cutting Edge .62" X 6" X 72"	
2	7	07-1764	.50" UNC Hex Nut - GR8	
3	7	07-1762	.50" Lock Washer	
4	7	07-8186	.50" UNC X 2.00" Plow Bolt - GR8	

6' Standard Pick-Up Sweeper



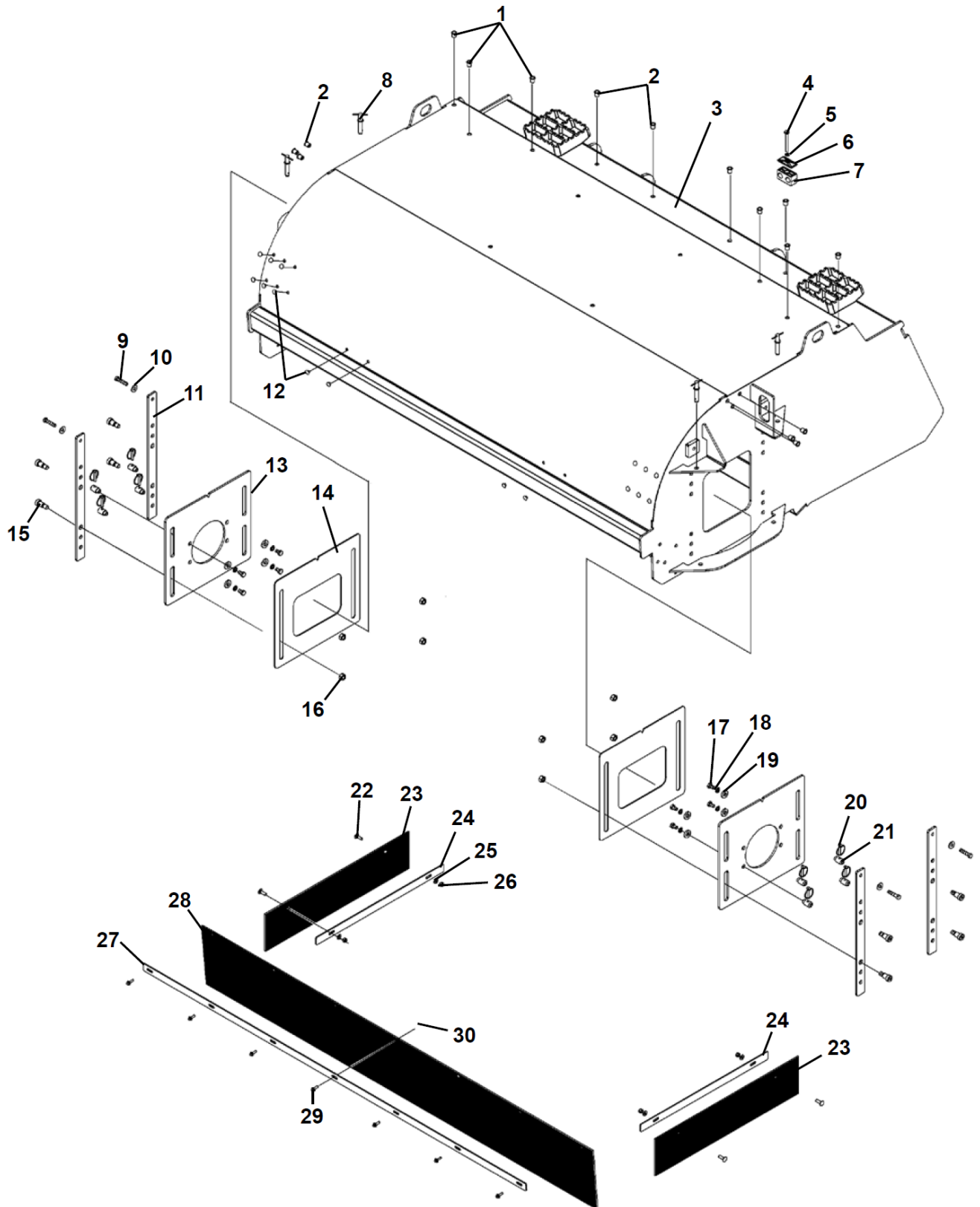
Item	Qty	Part No.	Name	Additional Info
1	1	13-19614	Outer Wheel Bracket	
2	1	13-19613	Inner Wheel Bracket	
3	1	07-9248	Caster Wheel	
4	4	07-3656	.38" UNC X 1.75" Hex Capscrew - GR8	
5	8	07-3279	.38" Flat Washer - GR8	
6	4	07-4036	.38" UNC Nylock Nut	
7	1	P101218	.75" UNC X 4.50" Hex Capscrew	
8	2	P850812	.75" SAE Washer	
9	1	07-7687	.75" UNC Nylock Nut - GR8	

6' Standard Pick-Up Sweeper



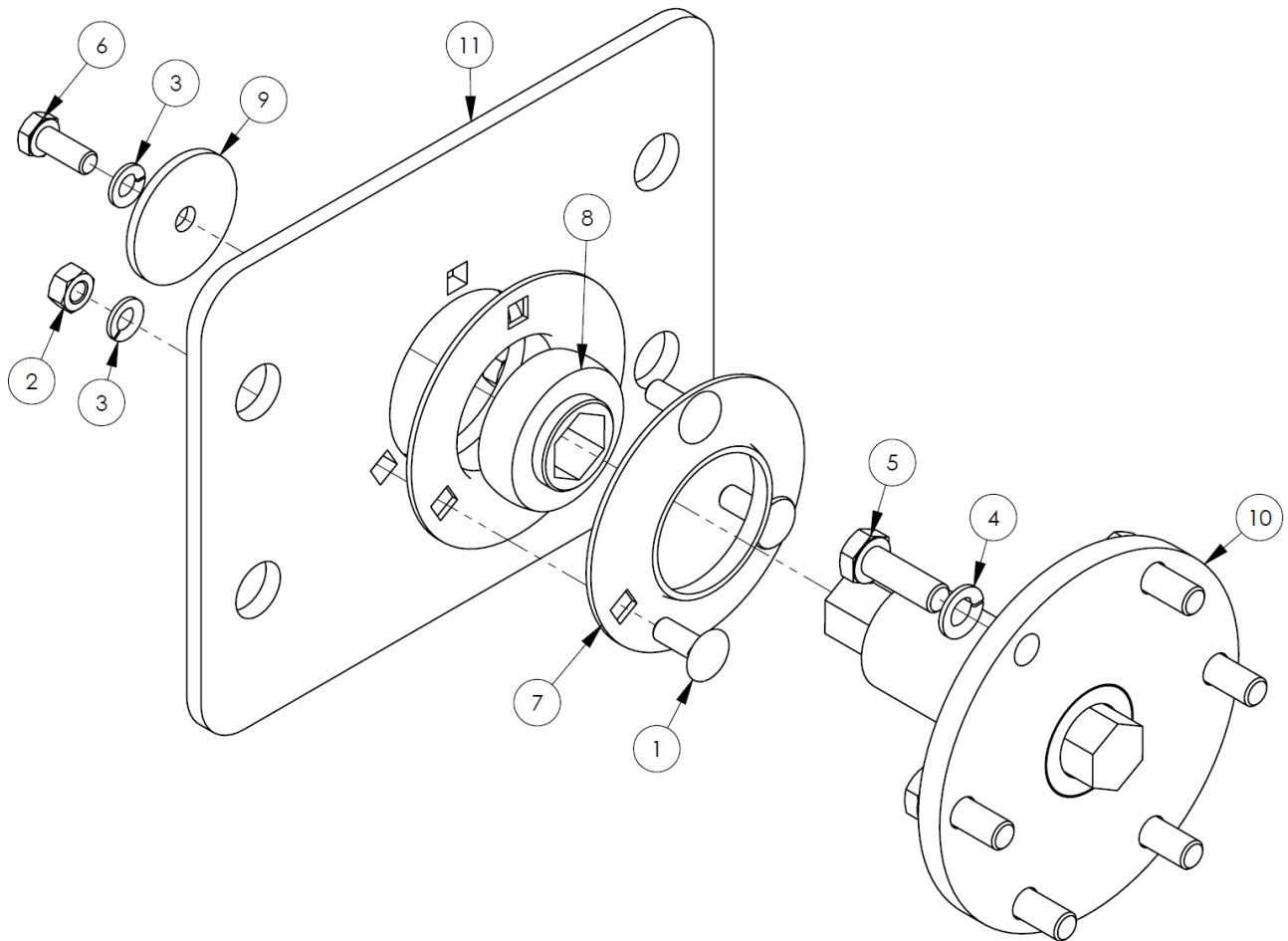
Item	Qty	Part No.	Name	Additional Info
1	1	28-9570	Quick Disconnect Kit - 28-9570	
1.1	-	P272670	Female Quick Coupler 8FFS-12FBo	
1.2	-	P272671	Male Quick Coupler 8FFS-12FBo	
2	2	03-5653	Hose .50" X 120" 10FFS-12MBo	

7' Standard Pick-Up Sweeper



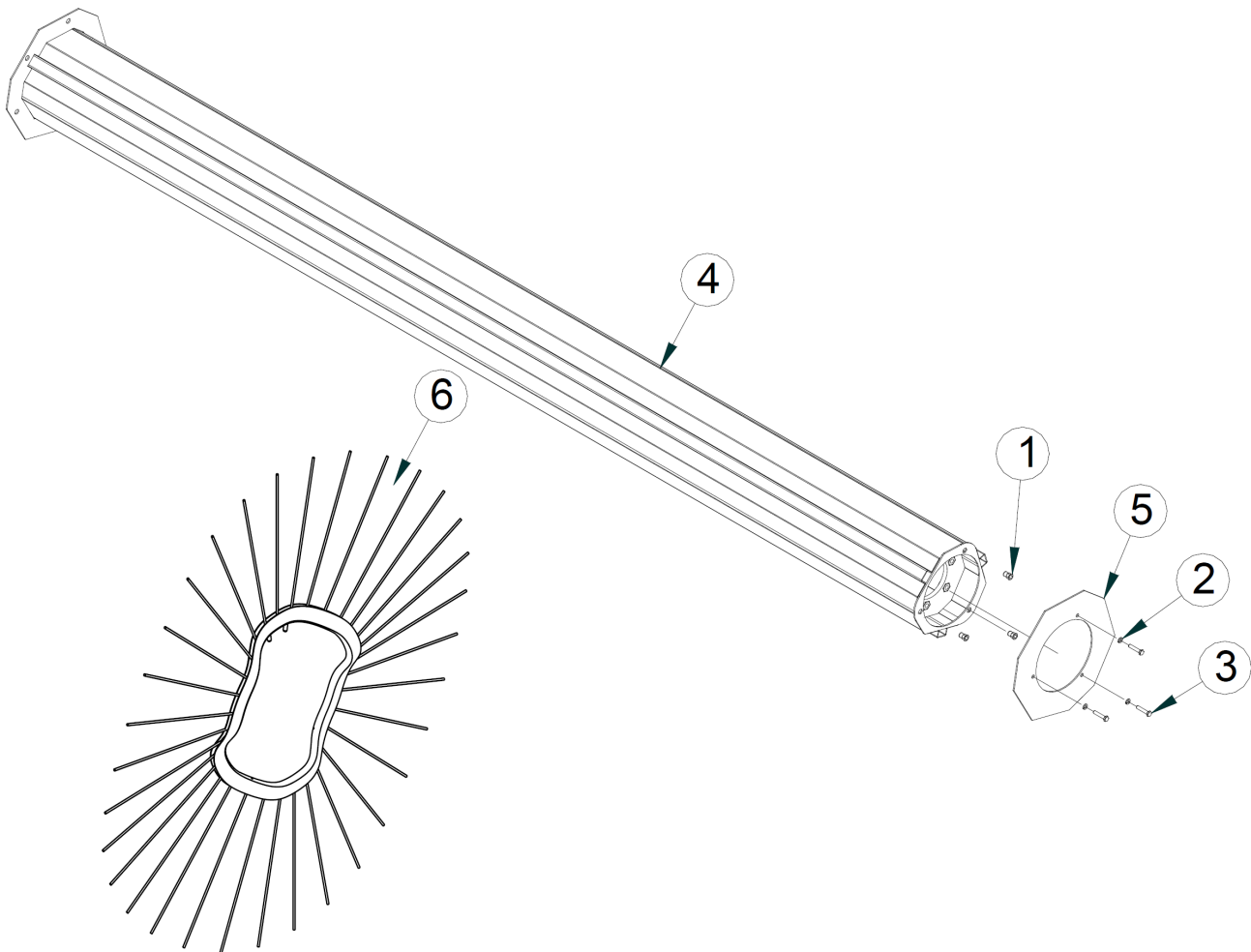
Item	Qty	Part No.	Name	Additional Info
1	6	RHW8645	.31" Rivet Nut	
2	10	RHW8642	.31" UNC Rivet Nut	
3	1	13-19545-84	84" Sweeper Frame	
4	1	07-3651	.31" UNC X 3.00" Hex Capscrew - GR8	
5	1	07-3273	.31" Lock Washer	
6	1	RHW8614	Cover Plate	
7	1	RHW8616	Hose Cradle	
8	4	07-7077	T-Handle Quick Release Pin	
9	4	07-3656	.38" UNC X 1.75" Hex Capscrew - GR8	
10	4	07-3279	.38" Flat Washer - GR8	
11	4	13-19465	Retainer Plate	
12	16	LAF9853	.38" Plug - Plastic	
13	2	13-19464	Slider Plate	
14	2	07-9235	Slider Wear Plate	
15	8	07-10058	.62" X .75" Socket Head Shoulder Capscrew	
16	8	RHW7403-0000	.50" UNC Torque Lock Nut	
17	8	07-6769	M10-1.5 X 16mm Hex Capscrew - CL10.9	
18	8	07-3747	M10 Lock Washer	
19	8	P852608	.50" Hard Washer	
20	8	RHW8068-0000	Lynch Pin - .25"	
21	8	13-14083	Motor Mounting Stud	
22	4	07-3438	.31" UNC X 1.00" Carriage Bolt	
23	2	13-19275	Side Flap	
24	2	13-19276	Clamp Plate	
25	4	P850105	.31" Flat Washer	
26	4	07-3270	.31" UNC Nylock Nut - GR8	
27	1	13-15278	Plate .12" X 1.25" X 84"	
28	1	13-19462-84	84" Flap	
29	8	07-2952	M6-1.00 X 20mm Hex Flange Head Capscrew	
30	8	07-2956	M6-1.00 Insert Nut	

7' Standard Pick-Up Sweeper



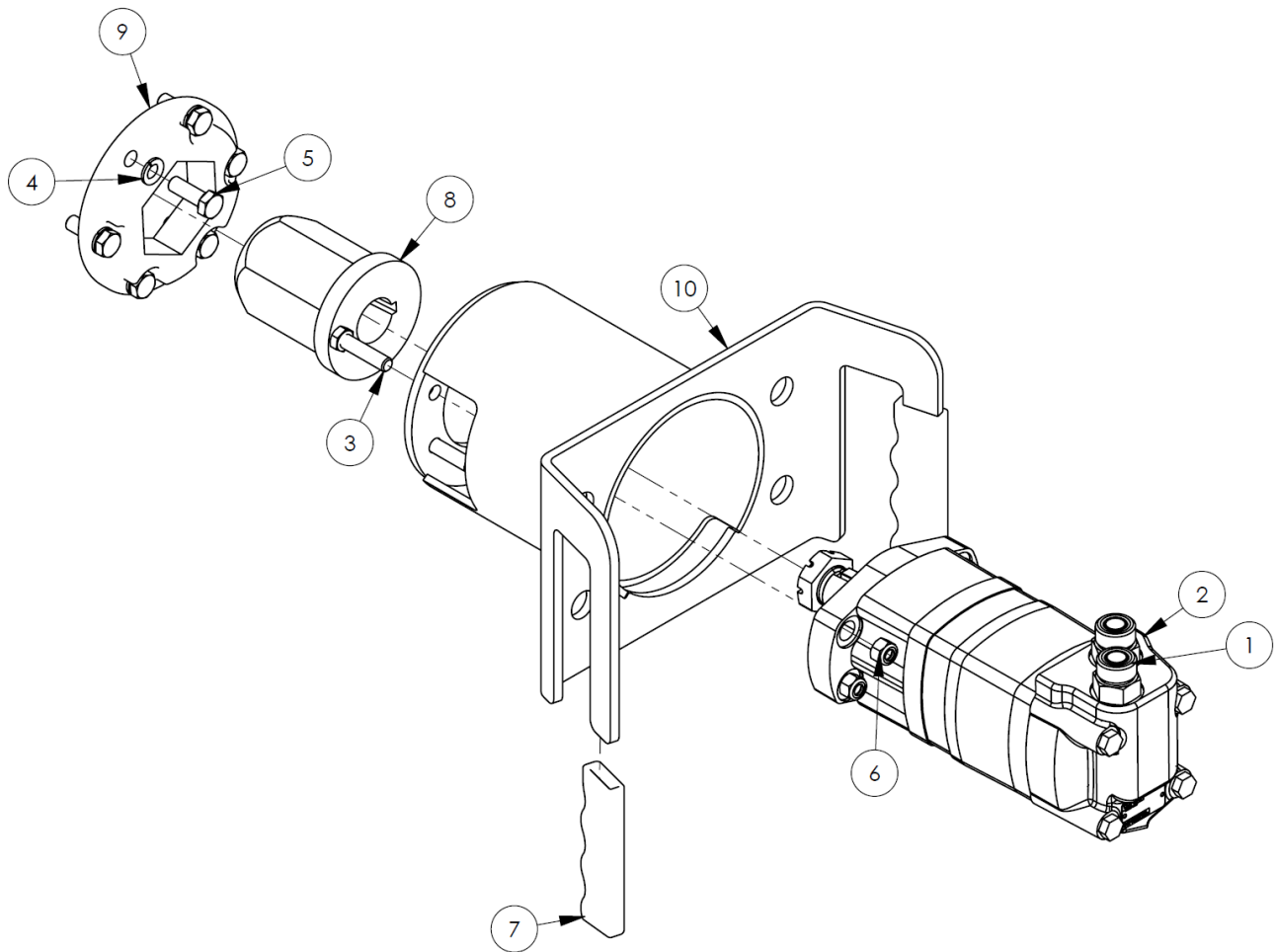
Item	Qty	Part No.	Name	Additional Info
1	3	07-2950	M8-1.25 X 20mm Carriage Bolt - CL8.8	
2	3	07-3737	M8-1.25 Hex Nut - CL10	
3	4	07-3738	M8 Lock Washer	
4	6	07-3747	M10 Lock Washer	
5	6	37-3749	M10-1.50 X 30mm Hex Capscrew - CL10.9	
6	1	07-3777	M8-1.25 X 20mm Hex Capscrew - CL10.9	
7	2	08-0008	Flange Bearing - 3 Bolt	
8	1	08-0037	Bearing	(.62" Hex without Hub)
9	1	13-11903	.34" Flat Washer	
10	1	13-16923	Hex Shaft Idler - Bolt-On	
11	1	13-19286	Mounting Plate	

7' Standard Pick-Up Sweeper



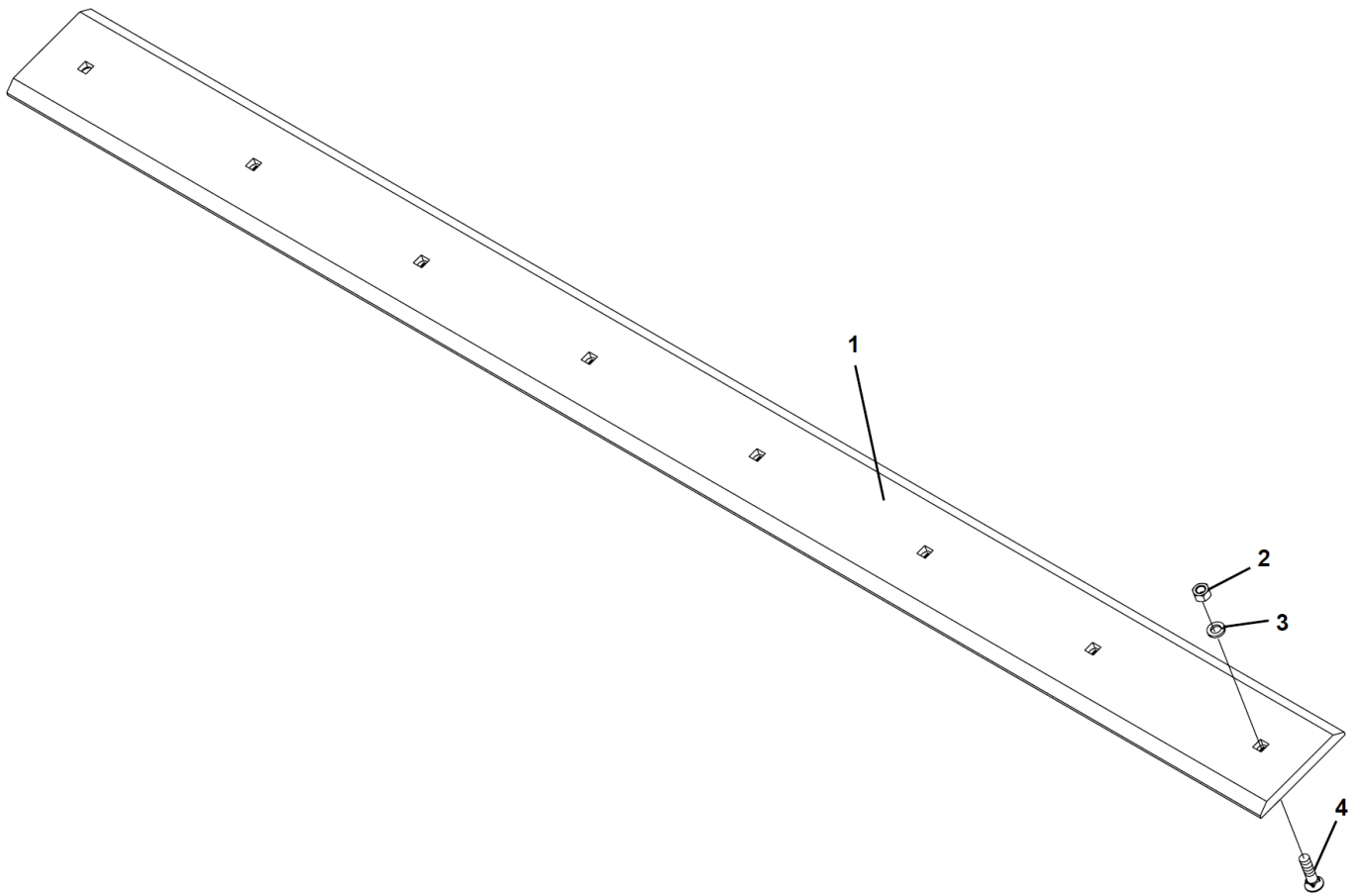
Item	Qty	Part No.	Name	Additional Info
1	3	07-3617	M6-1.00 Insert Nut	
2	3	07-3730	M6 Lock Washer	
3	3	07-3731	M6-1.0 X 30MM Hec Capscrew CL10.9	
4	1	13-19461-84	Core 8" X 84"	
5	1	13-15662	Retainer Plate	
6	-	01-9278	26" Brush Kit - Mixed	Includes 47 Poly Brushes
6	-	01-1163	26" Brush Kit - Poly	Includes 49 Poly Brushes

7' Standard Pick-Up Sweeper



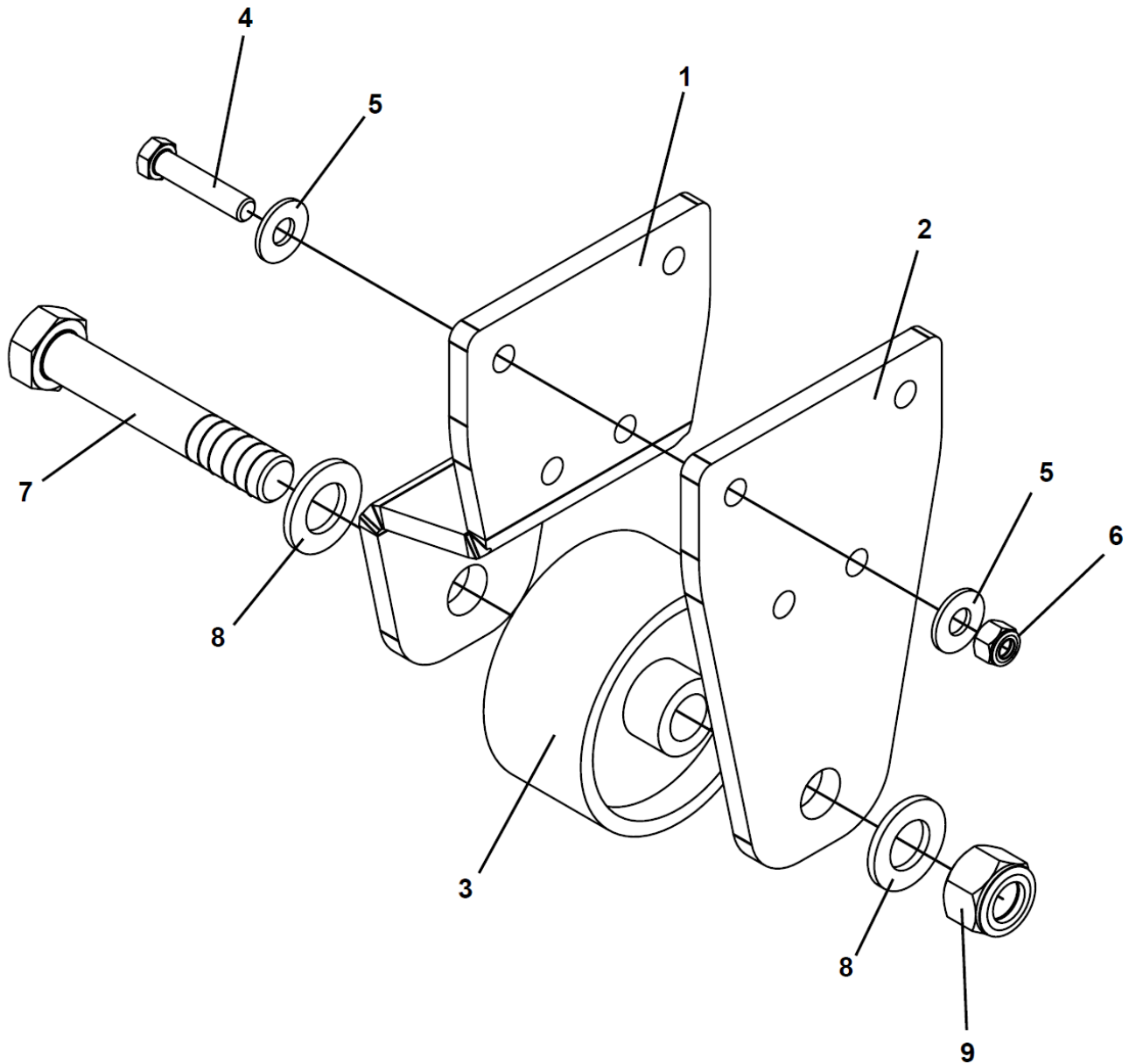
Item	Qty	Part No.	Name	Additional Info
1	2	03-5901	Fitting 10MBo-10MFS	
2	1	03-6712	Hydraulic Motor 24.7 CID	
2.1	-	03-6721	Seal Kit	
2.2	-	07-9289	Replacement Key	
2.3	-	07-4568	Motor Shaft Lock Nut	
3	4	07-3655	.38" UNC X 1.50" Hex Capscrew - GR8	
4	6	07-3747	M10 Lock Washer	
5	6	07-3749	M10-1.5 X 30MM Hex Capscrew - CL10.9	
6	4	07-4036	.38" UNC Nylock Nut	
7	2	07-9249	Grip	
8	1	13-15206	Hex Hub	
9	1	13-16225	2.50" Hex Receiver Plate	
10	1	13-19466	Motor Bucket Mounting	

7' Standard Pick-Up Sweeper



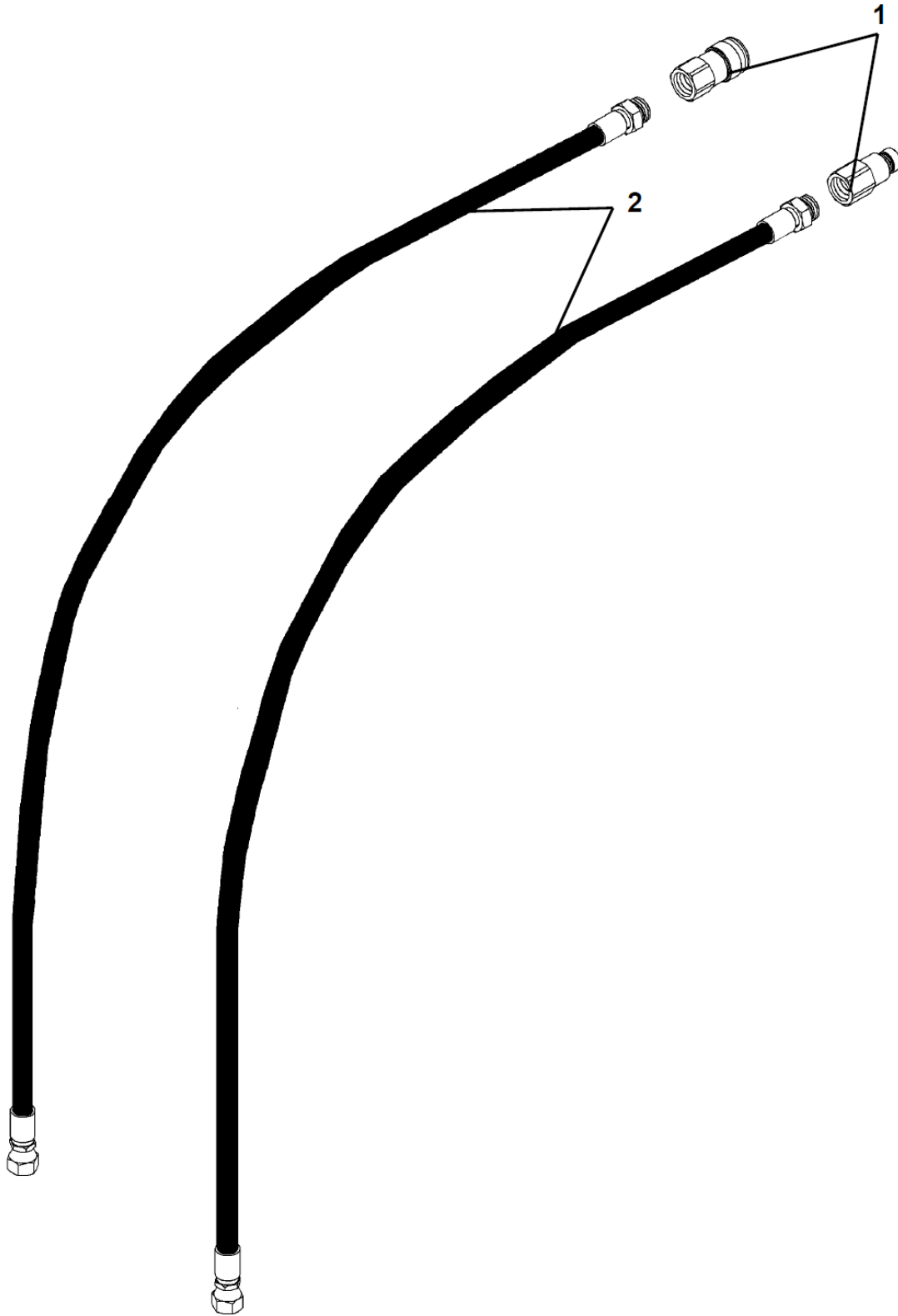
Item	Qty	Part No.	Name	Additional Info
1	1	LAF8337	Bolt-On Cutting Edge .62" X 6" X 84"	
2	8	07-1764	.50" UNC Hex Nut - GR8	
3	8	07-1762	.50" Lock Washer	
4	8	07-8186	.50" UNC X 2.00" Plow Bolt - GR8	

7' Standard Pick-Up Sweeper



Item	Qty	Part No.	Name	Additional Info
1	1	13-19614	Outer Wheel Bracket	
2	1	13-19613	Inner Wheel Bracket	
3	1	07-9248	Caster Wheel	
4	4	07-3656	.38" UNC X 1.75" Hex Capscrew - GR8	
5	8	07-3279	.38" Flat Washer - GR8	
6	4	07-4036	.38" UNC Nylock Nut	
7	1	P101218	.75" UNC X 4.50" Hex Capscrew	
8	2	P850812	.75" SAE Washer	
9	1	07-7687	.75" UNC Nylock Nut - GR8	

7' Standard Pick-Up Sweeper



Item	Qty	Part No.	Name	Additional Info
1	1	28-9570	Quick Disconnect Kit - 28-9570	
1.1	-	P272670	Female Quick Coupler 8FFS-12FBo	
1.2	-	P272671	Male Quick Coupler 8FFS-12FBo	
2	2	03-5653	Hose .50" X 120" 10FFS-12MBo	