

Level Best

LASER GRADING BOX

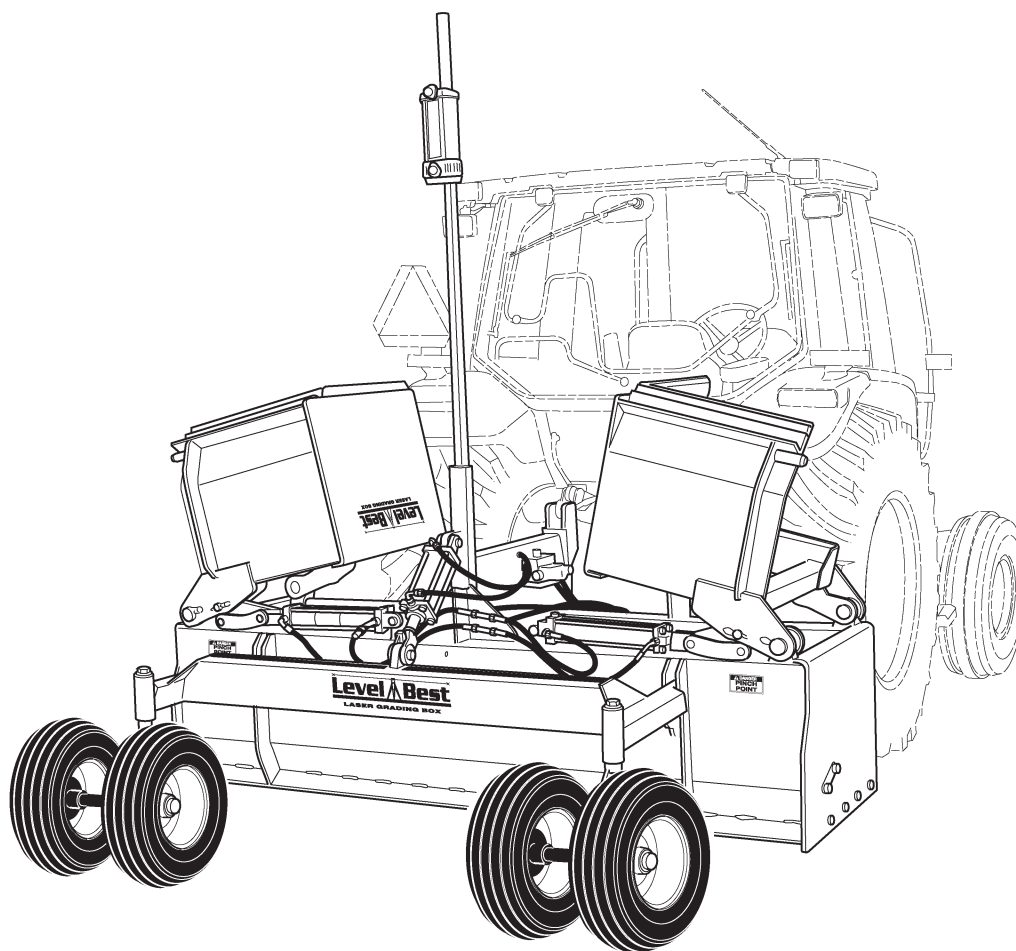
PARTS MANUAL

FOR

TRACTOR BOX - SINGLE

SUPER CAPACITY

APACHE/SPECTRA, MEI/MIKROFYN, TRIMBLE & TOPCON



ATI Corporation

New Holland, PA 17557

Phone (717) 354-8721 • FAX (717) 354-2162

1-800-342-0905

www.level-best.com

OCTOBER 2008

CAT.#LBSELGB8-12PM-G-1008



ATI Corporation
New Holland, PA 17557
Phone (717) 3564-8721 • FAX (717) 354-2162
1-800-342-0905
www.level-best.com

COPYRIGHT 2008 by
ATI Corporation
250 Earland Drive
New Holland, PA 17557 U.S.A.

DISCLAIMER

THE INFORMATION IN THIS MANUAL IS PROVIDED TO PROMOTE THE SAFE USE OF, AND ASSIST THE OPERATOR IN ACHIEVING THE BEST PERFORMANCE FROM, LASER GRADING BOX DESCRIBED HEREIN, FOR THEIR INTENDED APPLICATIONS.



ATI Corporation
New Holland, PA 17557
Phone (717) 3564-8721 • FAX (717) 354-2162
1-800-342-0905
www.level-best.com

Laser Grading Box PARTS LIST

Standard Models

Part Number	Model Number	Description
315-080-000	LBSE8-12	Box, Grader, Tractor, Single, 8/12', Cylinder Only
000-166-462		Kit, Hydraulic, Single Apache/Spectra, Includes Valve Assembly, Hoses, Fittings and Solenoid Cable
000-166-518		Kit, Hydraulic, Single Leica, Includes Valve Assembly, Hoses, Fittings and Solenoid Cable
000-166-463		Kit, Hydraulic, Single MEI/Mikrofynd, Includes Valve Assembly, Hoses, Fittings and Solenoid Cable
000-166-464		Kit, Hydraulic, Single Topcon, Includes System Five Remote, Power and Solenoid Cable (does not include Receiver Cable)
000-166-484		Kit, Hydraulic, Single Trimble GCR, Includes Valve Assembly, Hoses, and Fittings
000-200-095		Kit, Laser Controls, Single, Apache, Includes CB26 Control Panel, 360° Receiver, Power Cable and Receiver Cable
000-200-210		Kit, Laser Controls, Single, Leica, Includes MCP-700 Panel, 360 Degree Receiver, Power Cable and Receiver Cable
000-200-218		Kit, Laser Controls, Single, Spectra, Includes CB25 Control Panel, 360° Receiver, Power Cable and Receiver Cable
000-200-148		Kit, Cables, Trimble GCR, Includes Junction Box with Solenoid Cable and Remote, Receiver Cable and Power Cable

Laser Grading Box PARTS LIST



ATI Corporation
New Holland, PA 17557
Phone (717) 3564-8721 • FAX (717) 354-2162
1-800-342-0905
www.level-best.com

Table of Contents

SUBJECT	PAGE NO.
Standard Models	ii
Table of Contents	iii
WARRANTY	iv
SERIAL NUMBER INFORMATION	iv
WHERE TO GET PARTS AND SERVICE	iv
HOW TO ORDER PARTS	v
Notes	vi
List Of Parts Illustrations	1



Laser Grading Box PARTS LIST

ATI Corporation
New Holland, PA 17557
Phone (717) 3564-8721 • FAX (717) 354-2162
1-800-342-0905
www.level-best.com

WARRANTY

This Laser Grading Box is designed and manufactured to high quality standards. ATI Corporation, therefore, guarantees this Laser Grading Box to be free from defect in workmanship and materials for three years from purchase date. If the machine is used for rental purposes, the warranty is limited to ninety (90) days.

Vendored Components and Control Valve Parts are warranted separately by their respective manufacturers.

Does not cover normal wear or failure due to hydraulic oil contamination.

Misuse, abuse, misapplication, and unauthorized alterations will void this warranty.

All warranty work must be performed by an approved Level Best dealer, and authorized by ATI Corporation.

SERIAL NUMBER INFORMATION

It is very important that the correct serial number is provided when ordering parts. The serial number plate is located on the main frame. Please mark the model and serial number of your Laser Grading Box in the space provided below in case the plate on your Laser Grading Box gets lost or damaged.

Model..... Serial Number

Dealer Name Dealer Phone Number

WHERE TO GET PARTS AND SERVICE

When replacement parts and service are required, ATI Corporation recommends returning to the dealer from which the product or optional kit was purchased. By going to the dealer, you are dealing with people that understand and know ATI products. Our dealers have the experience servicing these machines and stock the most common parts required to keep your equipment in top working condition.

NOTE: ATI Corporation reserves the right to discontinue models at any time, change specifications, and improve design without notice and without incurring obligation on goods previously purchased and to discontinue supplying any part listed, when the demand does not warrant production.

Laser Grading Box PARTS LIST



ATI Corporation
New Holland, PA 17557
Phone (717) 3564-8721 • FAX (717) 354-2162
1-800-342-0905
www.level-best.com

HOW TO ORDER PARTS

Parts lists contained in this book have been prepared to help you when ordering spare and/or replacement parts. Your order will be filled promptly and accurately when the following information is provided:

1. Model and serial number of the unit. (This specifically identifies the equipment you have and permits us to verify the part numbers in your order.)
2. The parts list page number and catalog number. Include catalog revision number, if applicable.
3. The **Item** number for each part. **Item** numbers on the parts list page correspond with the numbers shown on the illustration.
4. **Part Number** as it appears in the parts list. In most cases this will be a nine-digit number; for example: 315-005-000.
5. The **Description** for the part as it appears on the parts list page.

When a complete assembly is needed, use the assembly number given in the parts list. If no assembly number is given, order by main assembly title and list only the item numbers you want. For example: "Wheel Frame Assembly per 315-509-000, Items 2 through 8, inclusive".

The part ordered may have a new part number, or the part may have been replaced by a newer design with a different part number. In these cases your acknowledgement, shipping papers and invoices will be written listing the current part number first; the old part number you referred to will follow the part description.

Our purpose in doing this is to tell you that the parts are fully interchangeable. This will avoid any unnecessary correspondence or delay in processing your order. We suggest that you add any new number to your parts lists for future use.

Laser Grading Box PARTS LIST



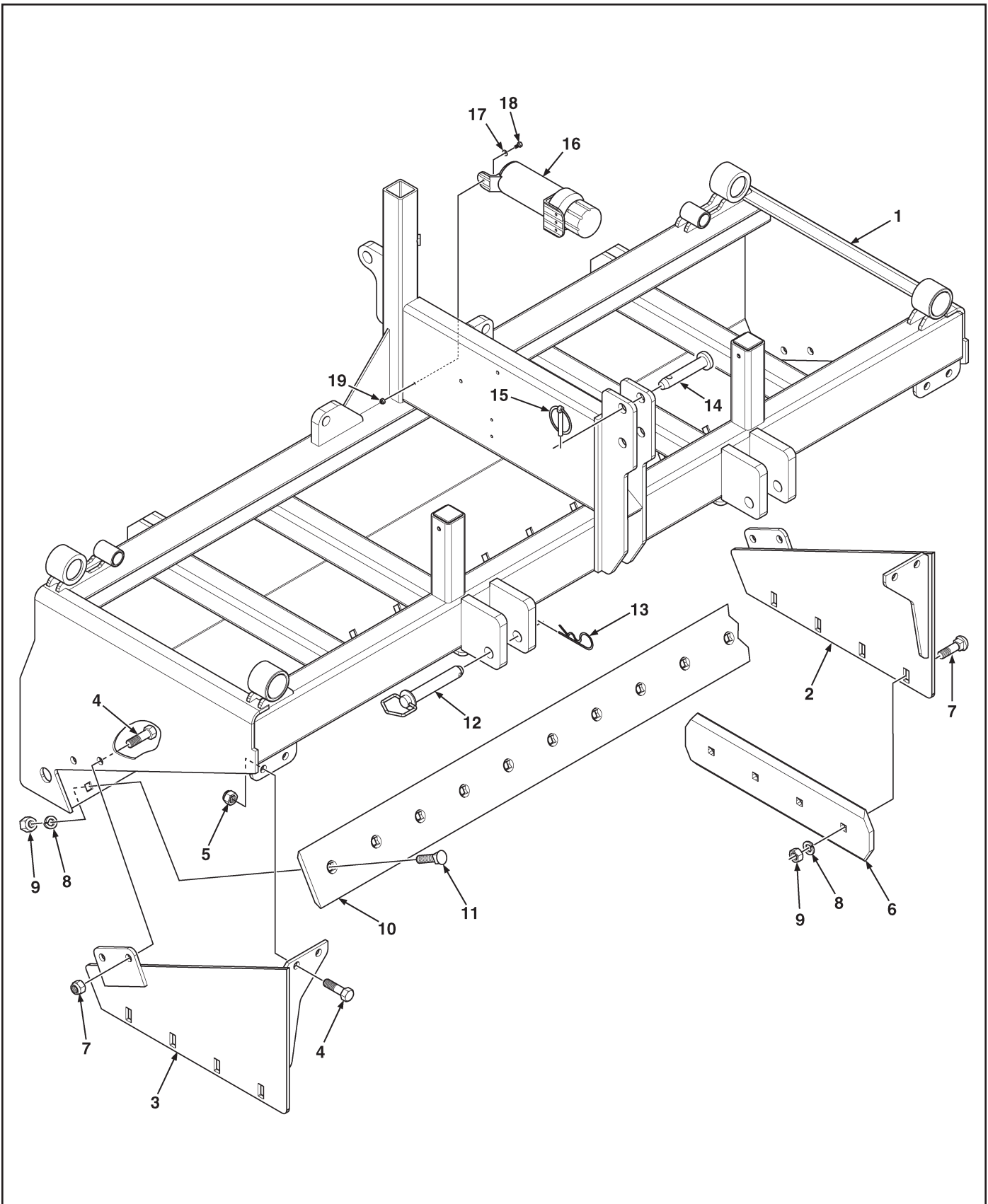
ATI Corporation
New Holland, PA 17557
Phone (717) 3564-8721 • FAX (717) 354-2162
1-800-342-0905
www.level-best.com

List Of Parts Illustrations

Figure 1. Main Frame and Cutting Edges	2
Figure 2. Hydraulic Wings and Related Parts	4
Figure 3. Wheel Frame and Related Parts.....	6
Figure 4. Caster Fork and Wheel	8
Figure 5. Hydraulics Cylinders Only	10
Figure 6. Wing Cylinder. Links & Related Parts	12
Figure 7. Hydraulics With Optional Valve Assembly	14
Figure 8. Hydraulic Valve Assembly	16
Figure 9. Laser Controls and Related Parts - Apache/Spectra	18
Figure 10. Control Panel, Receiver, Cables - Apache/Spectra.....	20
Figure 11. Laser Controls and Related Parts - Topcon	22
Figure 12. Laser Controls and Related Parts - Trimble GCR	24
Figure 13. Cylinder Assembly, 3" Bore x 6" Stroke	26
Figure 14. Cylinder Assembly, 2-1/2" Bore x 12" Stroke.....	28
Figure 15. Drawbar Kit, with Wheel Locks (Optional)	30
Figure 16. Decals	32

Laser Grading Box PARTS LIST

Figure 1. Main Frame and Cutting Edges



Laser Grading Box PARTS LIST



Figure 1. Main Frame and Cutting Edges

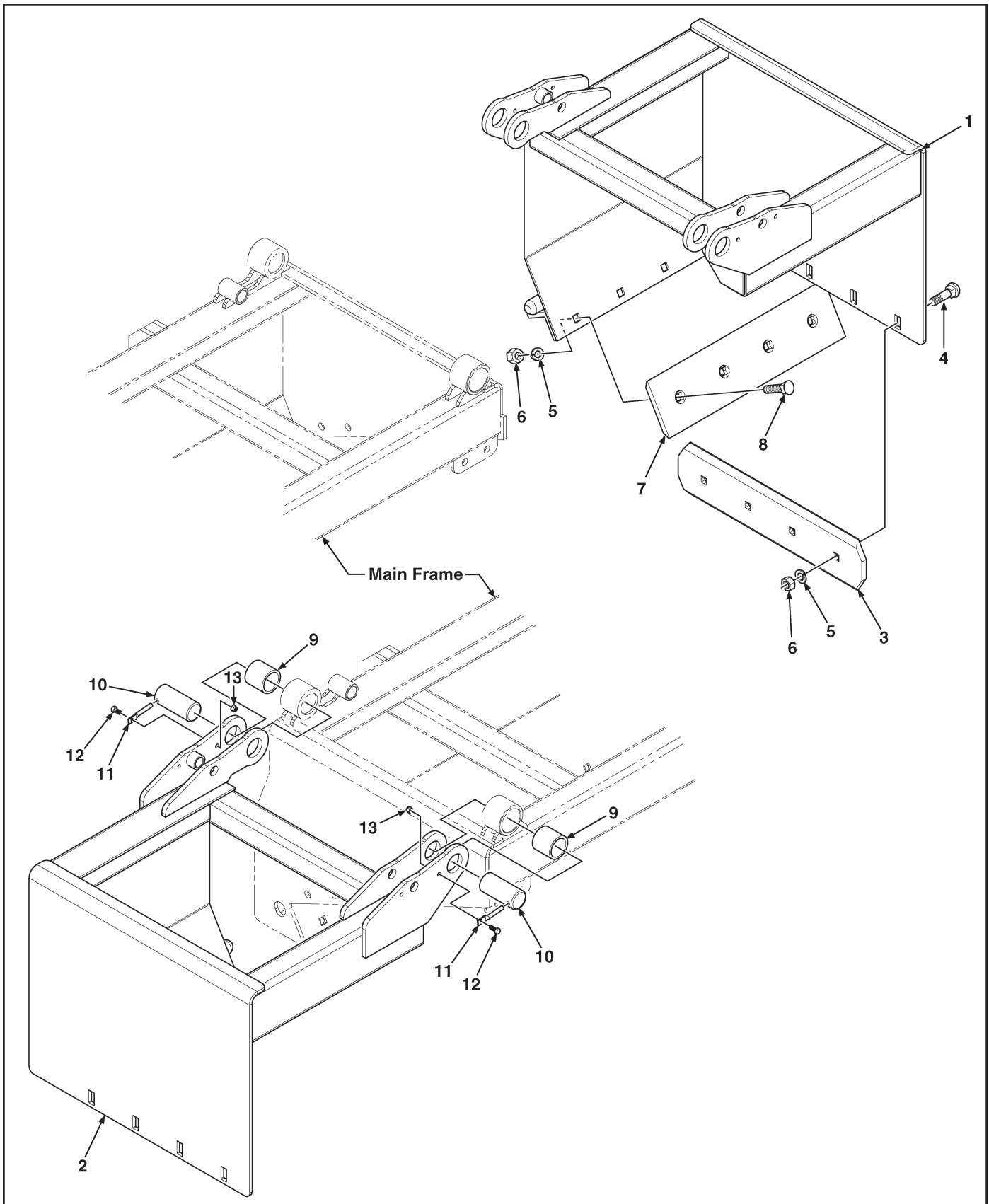
ATI Corporation
 New Holland, PA 17557
 Phone (717) 3564-8721 • FAX (717) 354-2162
1-800-342-0905
www.level-best.com

Item	Part No.	Qty	Description
1	315-080-100	1	Frame, Main, Single, Super Capacity, 8' w/Wings
2	315-080-600	1	Plate, End Extension, Left Hand
3	315-080-700	1	Plate, End Extension, Right Hand
4	LP	8	Bolt, Hex Head, 3/4"-16UNC x 1-3/4" Long
5	LP	8	Nut, Hex, Nylon Lock, 3/4"-16UNC
6	000-190-082	2	Edge, Cutting, End, DBF, 25" Long
7	000-150-265	8	Bolt, Carriage, 5/8"-11UNC x 2" Long
8	000-155-077	AR	Washer, Lock, 5/8"
9	000-158-138	AR	Nut, Hex, 5/8"-11UNC
10	000-190-153	1	Edge, Cutting, DBF, 96" Long
11	000-150-269	AR	Bolt, Plow, 5/8"-11UNC x 2-1/4" Long
12	000-161-075	2	Pin, Hitch, 1-1/8" Dia. x 7" Long, Category II
13	000-161-019	2	Pin, Hair, Cotter, 3/16" Dia. x 3-3/4" Long
14	000-161-085	1	Pin, Top Link, 1" Dia. x 5-1/4" Long, Category II
15	000-161-028	1	Pin, Lynch, Locking, 7/16"
16	001-001-083	1	Canister, Operators Manual
17	LP	3	Washer, Flat, 1/4"
18	LP	3	Bolt, Hex Head, 1/4"-20UNC x 1" Long
19	LP	3	Nut, Hex, Nylon Lock, 1/4"-20UNC

AR - As Required NSS - Not Serviced Separately ASN - After Serial No. BSN - Before Serial No. LP - Local Purchase

Laser Grading Box PARTS LIST

Figure 2. Hydraulic Wings and Related Parts



Laser Grading Box PARTS LIST



Figure 2. Hydraulic Wings and Related Parts

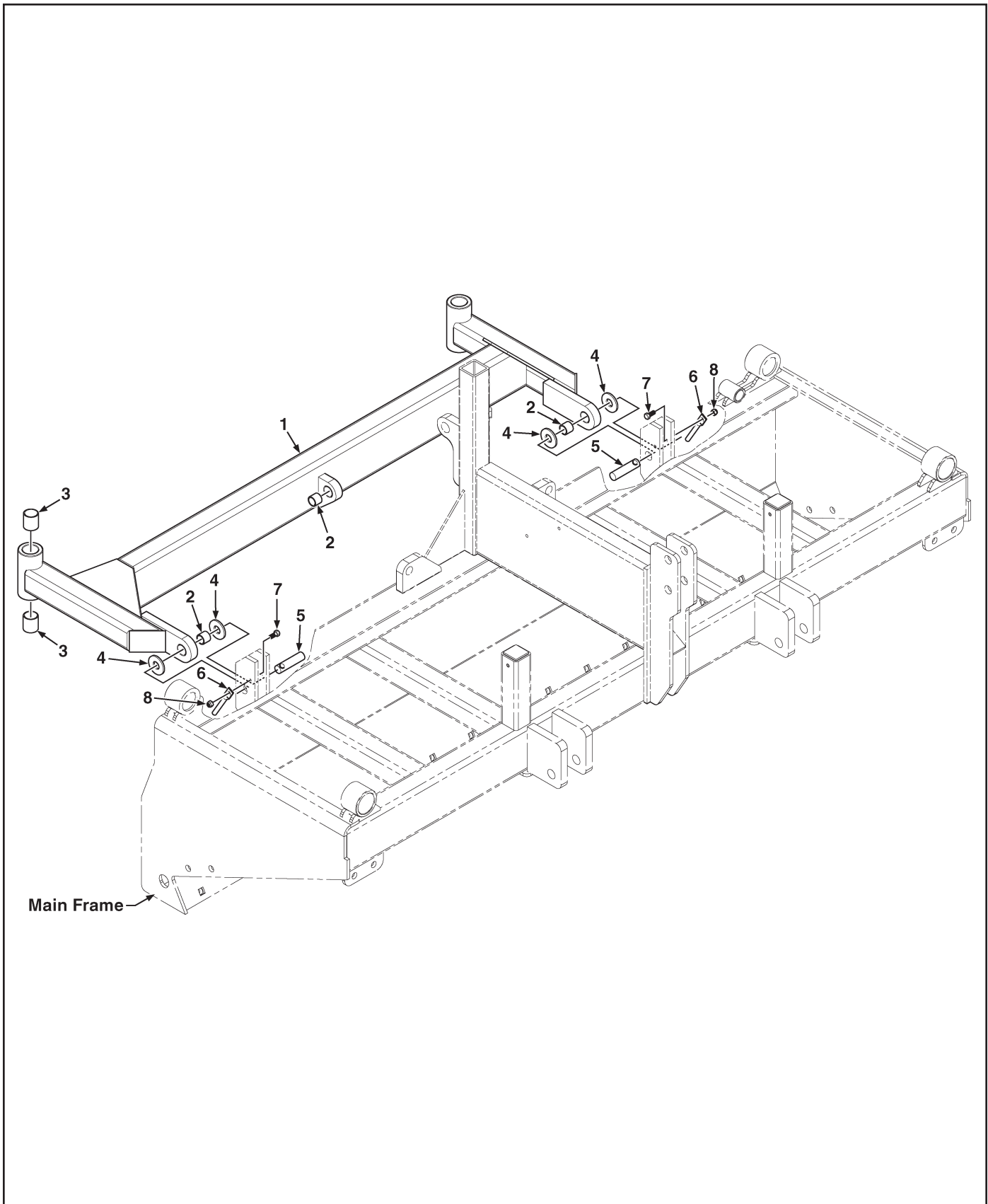
ATI Corporation
 New Holland, PA 17557
 Phone (717) 3564-8721 • FAX (717) 354-2162
1-800-342-0905
www.level-best.com

Item	Part No.	Qty	Description
1	315-080-200	1	Wing Weldment, Hydraulic, Left Hand
2	315-080-300	1	Wing Weldment, Hydraulic, Right Hand
3	000-190-082	2	Edge, Cutting, End, DBF, 25" Long
4	000-150-265	8	Bolt, Carriage, 5/8"-11UNC x 2" Long
5	000-155-077	16	Washer, Lock, 5/8"
6	000-158-138	16	Nut, Hex, 5/8"-11UNC
7	000-190-158	2	Edge, Cutting, DBF, 24" Long
8	000-150-269	8	Bolt, Plow, 5/8"-11UNC x 2-1/4" Long
9	000-176-180	4	Bushing, Pivot, 2-1/2" OD x 2" ID x 2" Long
10	000-161-118	4	Pin, Pivot, 2" Dia. x 4-1/2" Long
11	000-161-024	4	Pin, Retainer, 3/8" Dia. x 3-1/4" Long
12	LP	4	Bolt, Hex Head, 5/16"-18UNC x 1-1/4" Long
13	LP	4	Nut, Hex, Nylon Lock, 5/16"-18UNC

AR - As Required NSS - Not Serviced Separately ASN - After Serial No. BSN - Before Serial No. LP - Local Purchase

Laser Grading Box PARTS LIST

Figure 3. Wheel Frame and Related Parts



Laser Grading Box PARTS LIST



Figure 3. Wheel Frame and Related Parts

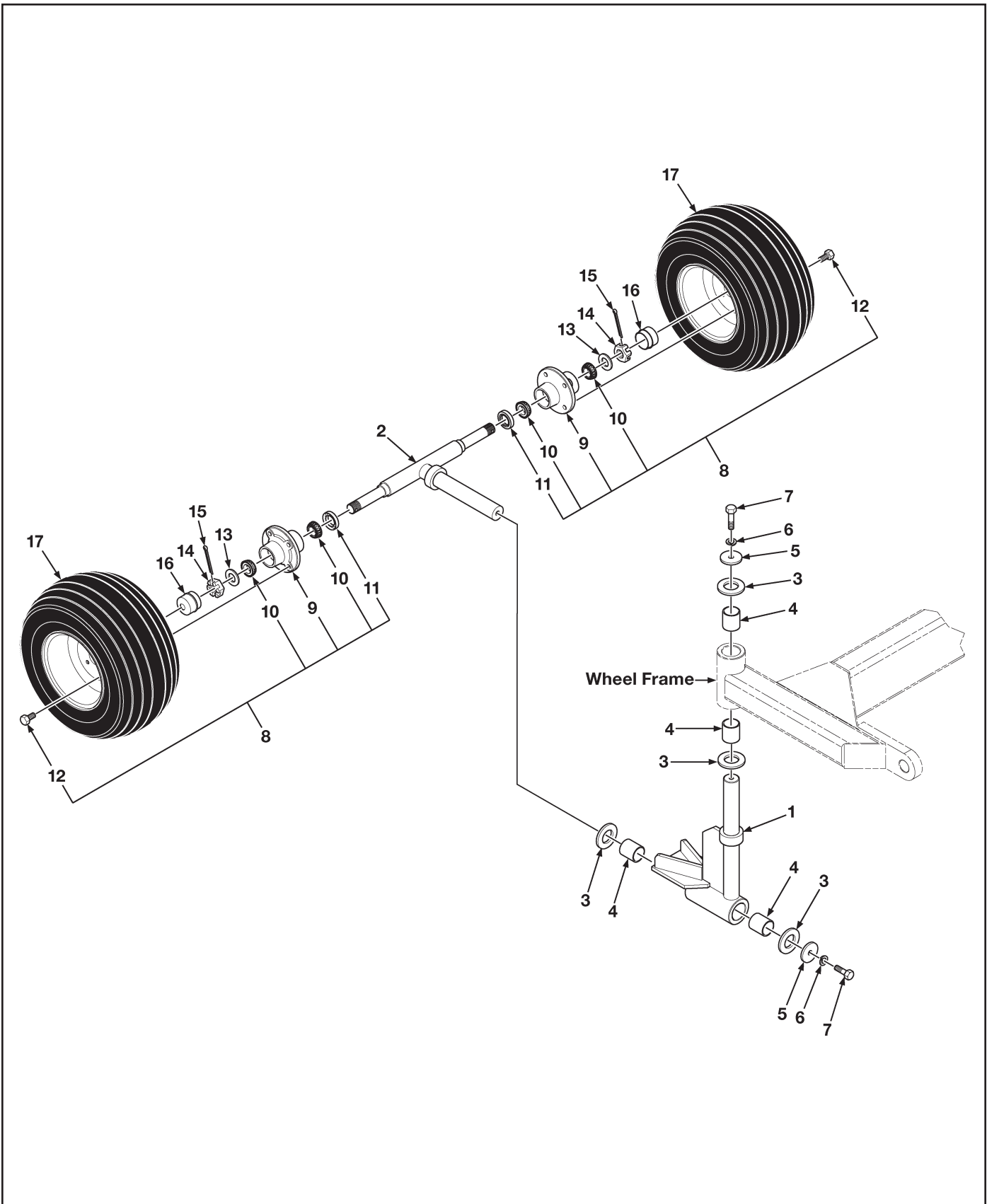
ATI Corporation
 New Holland, PA 17557
 Phone (717) 3564-8721 • FAX (717) 354-2162
1-800-342-0905
www.level-best.com

Item	Part No.	Qty	Description
1	315-065-200	1	Frame, Wheel, Tractor, Single, 8' & 9' Includes Items 2 & 3
2	000-176-174	3	Bushing, Wheel Frame, 1-1/4" OD x 1" ID x 1" Long
3	000-176-171	4	Bushing, Wheel Frame, 1-3/4" OD x 1-1/2" ID x 1-1/2" Long
4	000-155-003	4	Washer, Flat, 1-1/2" OD x 1" ID x 14 Gauge Thick
5	000-161-065	2	Pin, Pivot, 1" Dia. x 3-1/4" Long
6	000-161-024	2	Pin, Retainer, 3/8" Dia. x 3-1/4" Long
7	LP	2	Bolt, Hex Head, 5/16"-18UNC x 1-1/4" Long
8	LP	2	Nut, Hex, Nylon Lock, 5/16"-18UNC

AR - As Required NSS - Not Serviced Separately ASN - After Serial No. BSN - Before Serial No. LP - Local Purchase

Laser Grading Box PARTS LIST

Figure 4. Caster Fork and Wheel



Laser Grading Box PARTS LIST



ATI Corporation
 New Holland, PA 17557
 Phone (717) 3564-8721 • FAX (717) 354-2162
1-800-342-0905
www.level-best.com

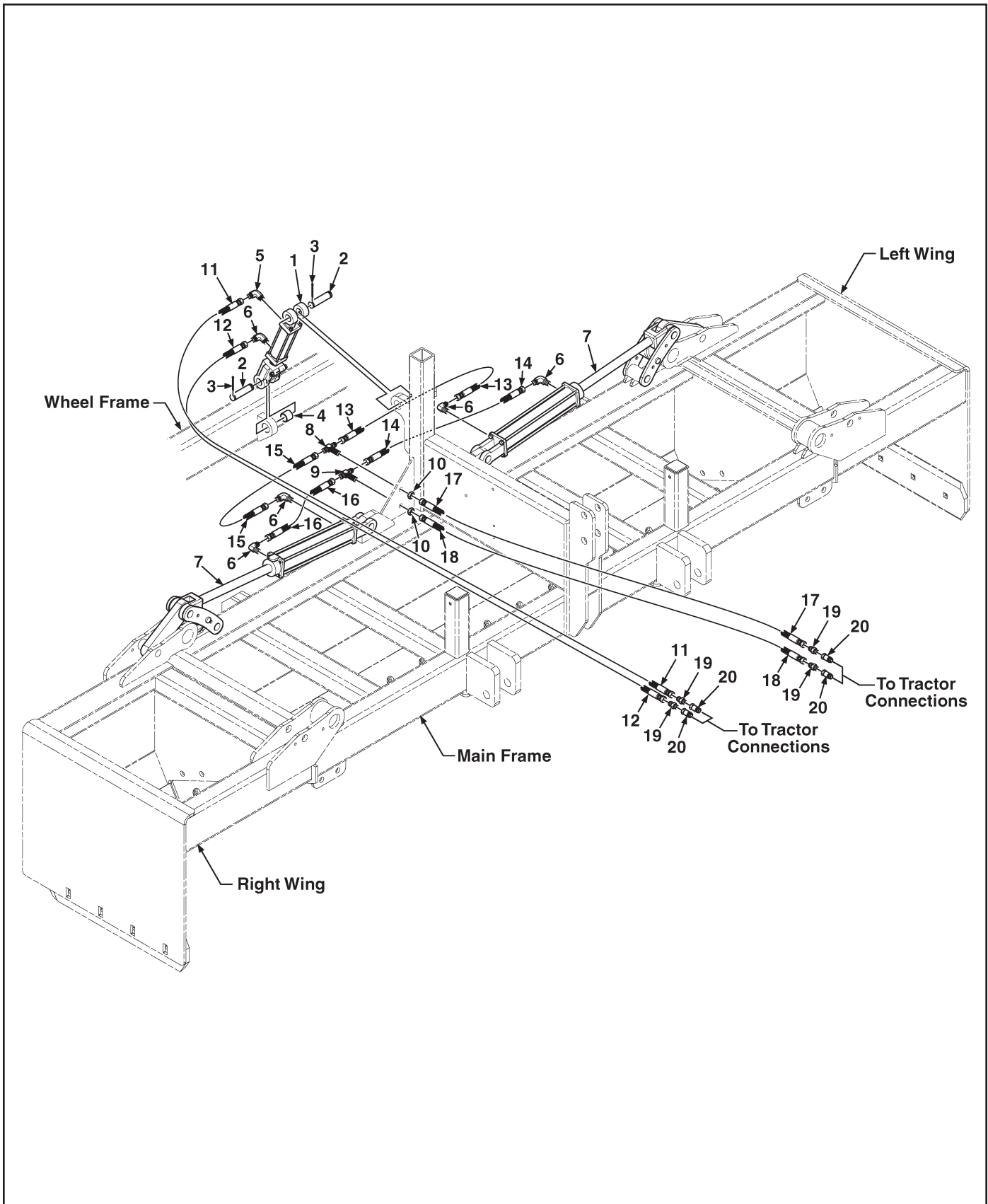
Figure 4. Caster Fork and Wheel

Item	Part No.	Qty	Description
1	315-065-300	2	Caster Weldment
2	315-065-400	2	Axle Weldment
3	000-155-002	8	Washer, Flat, 2-1/4" OD x 1-1/2" ID x 10 Gauge Thick
4	000-176-171	8	Bushing, Wheel Frame, 1-3/4" OD x 1-1/2" ID x 1-1/2" Long
5	000-155-004	4	Washer, Flat, 2-1/4" OD x 17/32" ID x 1/4" Thick
6	LP	4	Washer, Lock, 1/2"
7	LP	4	Bolt, Hex Head, 1/2"-13UNC x 1-1/4" Long
8	001-001-069	4	Hub Assembly, Includes Items 9 thru 12
9	001-001-074	1	Hub, Wheel, With Outer Race
10	000-176-184	2	Bearing, Roller, Tapered, 1" Dia. Bore
11	000-166-302	1	Seal, Grease, 2" OD x 1-1/4" ID
12	LP	4	Bolt, Hex Head, 1/2"-20UNF x 1" Long
13	000-155-003	4	Washer, Flat, 1-1/2" OD x 1" ID x 14 Gauge
14	000-158-193	4	Nut, Castle, 1"-14UNF
15	LP	4	Pin, Cotter, 1/8" Dia. x 1-1/4" Long
16	001-001-084	4	Cap, Dust
17	001-001-012	2	Wheel/Tire, 18/8.50-12

AR - As Required NSS - Not Serviced Separately ASN - After Serial No. BSN - Before Serial No. LP - Local Purchase

Laser Grading Box PARTS LIST

Figure 5. Hydraulics Cylinders Only



Laser Grading Box PARTS LIST



ATI Corporation
 New Holland, PA 17557
 Phone (717) 3564-8721 • FAX (717) 354-2162
1-800-342-0905
 www.level-best.com

Figure 5. Hydraulics Cylinders Only

Item	Part No.	Qty	Description
1	000-166-181	1	Cylinder, Hydraulic, 3" Bore x 6" Stroke, See Breakdown Figure 13, Includes Items 2 & 3
2	000-161-068	2	Pin, Cylinder, 1" Dia. x 3-3/8" Long
3	LP	4	Pin, Cotter, 3/16" Dia. x 1-3/4" Long
4	000-176-174	1	Bushing, Wheel Frame, 1-1/4" OD x 1" ID x 1" Long
5	000-166-488	1	Elbow, 90°, 6MJ x 8MB, With Orifice
6	000-166-417	5	Elbow, 90°, 6MJ x 8MB
7	000-166-439	2	Cylinder, Hydraulic, 2-1/2" Bore x 12" Stroke, See Breakdown Figure 6
8	000-166-486	1	Bulkhead, With Orifice, Includes Item 10
9	000-166-102	1	Bulkhead, Includes Item 10
10	LP	1	Nut
11	000-166-480	1	Hose, 1/2" Dia. x 126" Long x 6FJX x 8FJX, 3,000 PSI
12	000-166-480	1	Hose, 1/2" Dia. x 126" Long x 6FJX x 8FJX, 3,000 PSI
13	000-166-429	1	Hose, 3/8" Dia. x 36" Long x 6FJX x 6FJX, 3,000 PSI
14	000-166-429	1	Hose, 3/8" Dia. x 36" Long x 6FJX x 6FJX, 3,000 PSI
15	000-166-429	1	Hose, 3/8" Dia. x 36" Long x 6FJX x 6FJX, 3,000 PSI
16	000-166-429	1	Hose, 3/8" Dia. x 36" Long x 6FJX x 6FJX, 3,000 PSI
17	000-166-445	1	Hose, 3/8" Dia. x 78" Long x 6FJX x 8FJX, 3,000 PSI
18	000-166-445	1	Hose, 3/8" Dia. x 78" Long x 6FJX x 8FJX, 3,000 PSI
19	000-166-168	4	Adapter, Straight, 8MJ x 8MP
20	000-166-210	4	Coupler, Quick, Ag, Male, 1/2"
			BH-Bulkhead MP-Male Pipe FP-Female Pipe FPX-Female Pipe Swivel MB-Male O-Ring Boss FB-Female O-Ring Boss MJ-Male JIC FJ-Female JIC FJX-Female JIC Swivel
AR - As Required NSS - Not Serviced Separately ASN - After Serial No. BSN - Before Serial No. LP - Local Purchase			

Laser Grading Box PARTS LIST



Figure 6. Wing Cylinder. Links & Related Parts

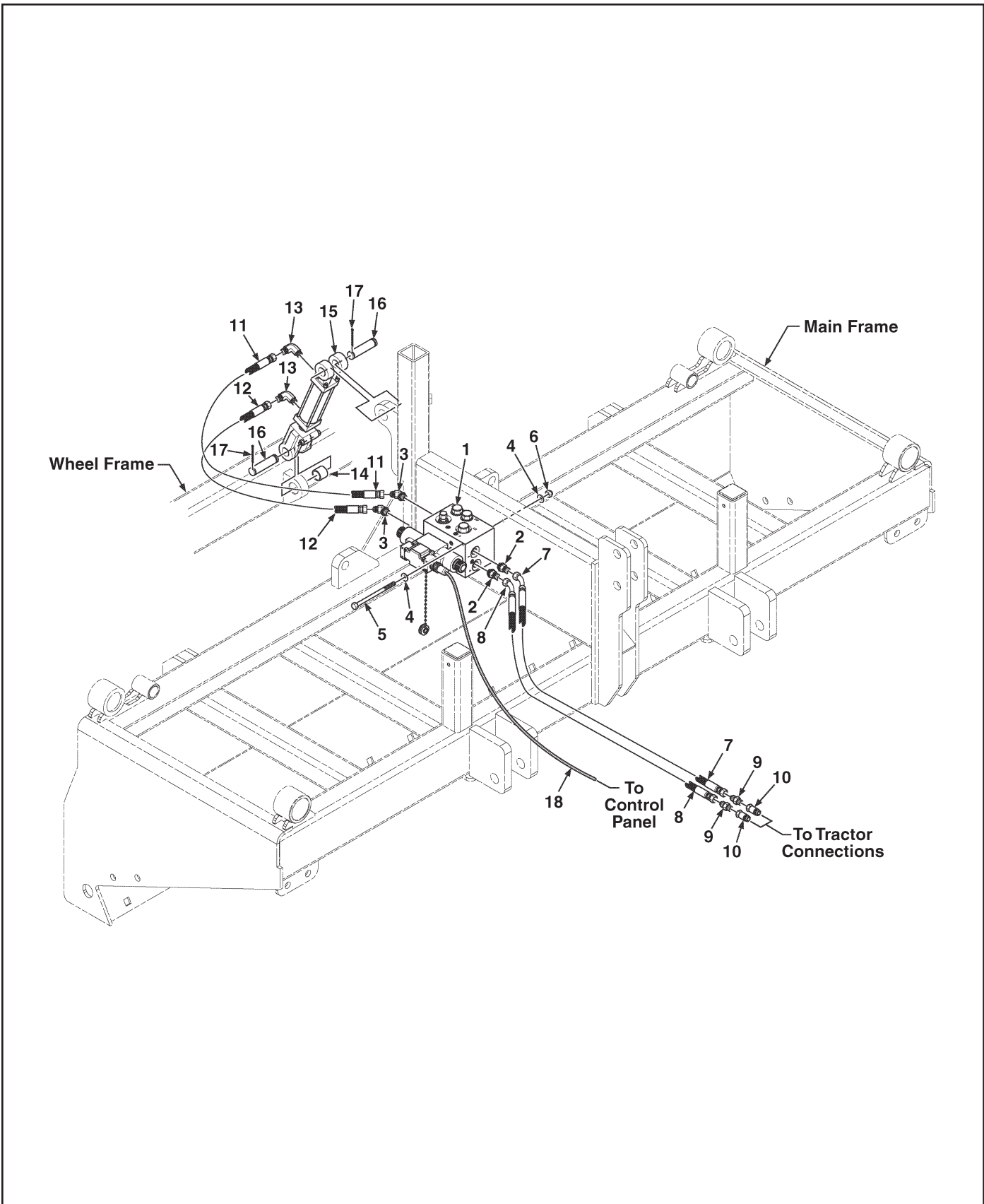
ATI Corporation
 New Holland, PA 17557
 Phone (717) 3564-8721 • FAX (717) 354-2162
1-800-342-0905
www.level-best.com

Item	Part No.	Qty	Description
1	000-166-439	2	Cylinder, Hydraulic, 2-1/2" Bore x 12" Stroke, See Breakdown Figure 14, Includes Items 2 & 3
2	000-161-068	2	Pin, Cylinder, 1" Dia. x 3-3/8" Long
3	LP	4	Pin, Cotter, 3/16" Dia. x 1-3/4" Long
4	315-080-500	2	Link, Connector, Cylinder
5	000-176-174	8	Bushing, 1-1/4" OD x 1" ID x 1" Long
6	315-080-400	2	Link, Cylinder Pivot
7	000-161-117	6	Pin, Link, 1" Dia. x 4-1/2" Long
8	000-161-024	6	Pin, Retainer, 3/8" Dia. x 3-1/4" Long
9	LP	2	Bolt, Hex Head, 5/16"-18UNC x 1-1/4" Long
10	LP	2	Nut, Hex, Nylon Lock, 5/16"-18UNC

AR - As Required NSS - Not Serviced Separately ASN - After Serial No. BSN - Before Serial No. LP - Local Purchase

Laser Grading Box PARTS LIST

Figure 7. Hydraulics With Optional Valve Assembly



Laser Grading Box PARTS LIST



Figure 7. Hydraulics With Optional Valve Assembly

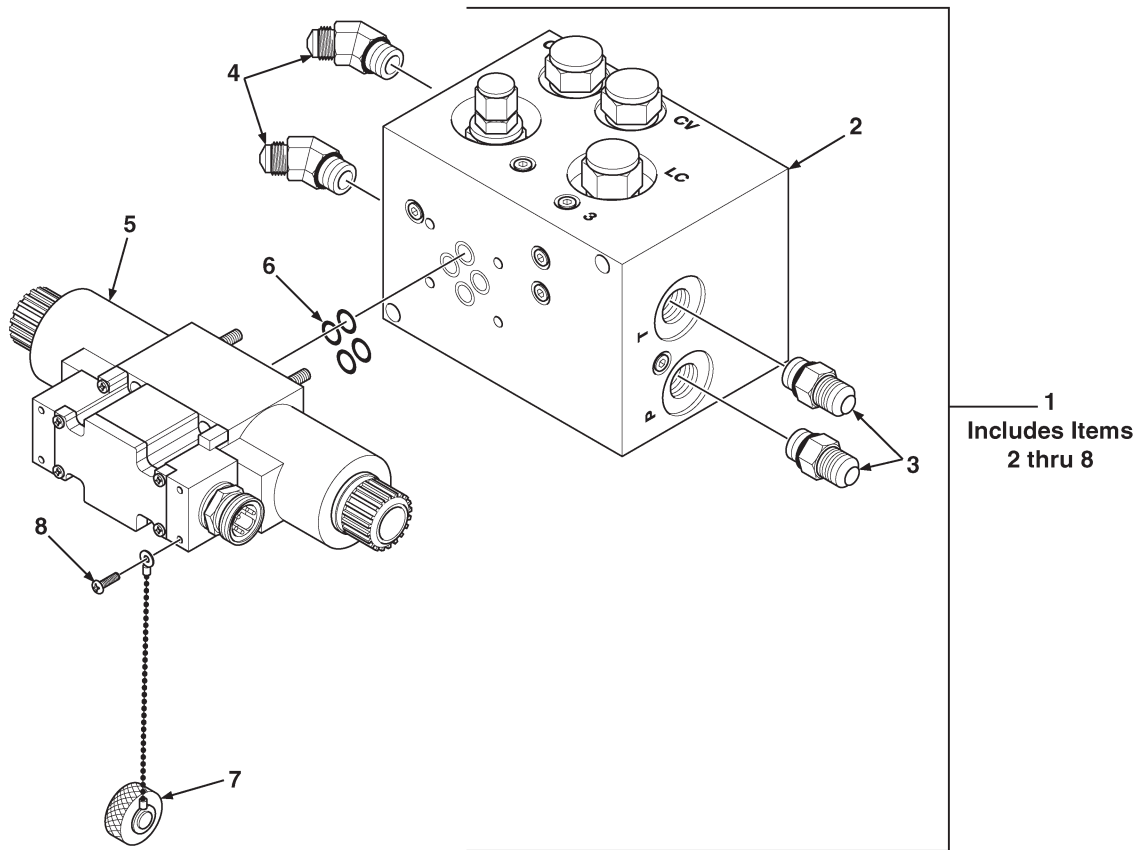
ATI Corporation
 New Holland, PA 17557
 Phone (717) 3564-8721 • FAX (717) 354-2162
1-800-342-0905
 www.level-best.com

Item	Part No.	Qty	Description
1	000-166-524	1	Valve Assembly, Hydraulic, Includes Items 2 & 3, See Breakdown Figure 6
2	000-166-170	2	Adapter, Straight, 8MJ x 8MB
3	000-166-175	2	Elbow, 45°, 6MJ x 6MB
4	LP	4	Washer, Flat, 5/16", SAE
5	LP	2	Bolt, Hex Head, 5/16"-18UNC x 5" Long
6	LP	2	Nut, Hex, Nylon Lock, 5/16"-18UNC
7	000-166-187	1	Hose, 1/2" Dia. x 58" Long x 8FJX x 8FJX45, 3,000 PSI
8	000-166-187	1	Hose, 1/2" Dia. x 58" Long x 8FJX x 8FJX45, 3,000 PSI
9	000-166-168	2	Adapter, Straight, 8MJ x 8MP
10	000-166-210	2	Coupler, Quick Disconnect, Ag, Male, 1/2"
11	000-166-418	1	Hose, 3/8" Dia. x 28" Long x 6FJX x 6FJX, 3,000 PSI
12	000-166-418	1	Hose, 3/8" Dia. x 28" Long x 6FJX x 6FJX, 3,000 PSI
13	000-166-417	2	Elbow, 90°, 6MJ x 8MB
14	000-176-174	1	Bushing, Wheel Frame, 1-1/4" OD x 1" ID x 1" Long
15	000-166-181	1	Cylinder, Hydraulic, 3" Bore x 6" Stroke, See Breakdown Figure 9 Includes Items 16 & 17
16	000-161-068	2	Pin, Cylinder, 1" Dia. x 3-3/8" Long
17	LP	4	Pin, Cotter, 3/16" Dia. x 1-3/4" Long
18	000-200-151	1	Cable, Solenoid, 90° Connector, 12' Long, Apache CB26/Spectra CB25
	000-200-209	1	Cable, Solenoid, Quick Disconnect, 12' Long, Leica PowerBlade
	000-200-144	1	Cable, Solenoid, Quick Disconnect, 12' Long, MEI/Mikrofyfyn
	000-200-171	1	Cable, Power/Remote/Solenoid, Topcon System Five & LS-B4
			BH-Bulkhead MP-Male Pipe FP-Female Pipe FPX-Female Pipe Swivel MB-Male O-Ring Boss FB-Female O-Ring Boss MJ-Male JIC FJ-Female JIC FJX-Female JIC Swivel

AR - As Required NSS - Not Serviced Separately ASN - After Serial No. BSN - Before Serial No. LP - Local Purchase

Laser Grading Box PARTS LIST

Figure 8. Hydraulic Valve Assembly



Laser Grading Box PARTS LIST



Figure 8. Hydraulic Valve Assembly

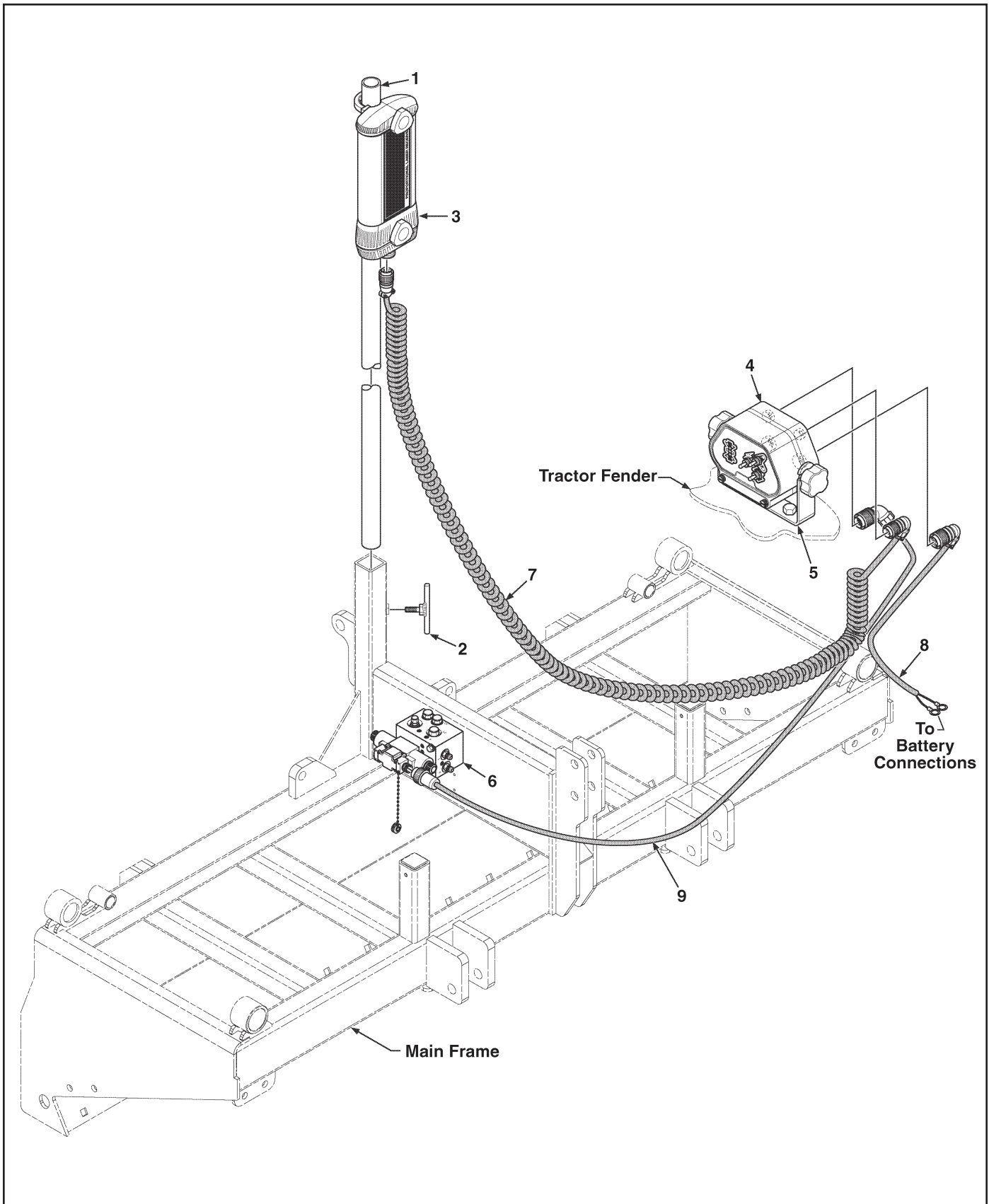
ATI Corporation
 New Holland, PA 17557
 Phone (717) 3564-8721 • FAX (717) 354-2162
1-800-342-0905
www.level-best.com

Item	Part No.	Qty	Description
1	000-166-524	1	Valve Assembly, Hydraulic, Includes Items 2 thru 8
2	NSS	1	Manifold Block, Single
3	000-166-170	2	Adapter, Straight, 8MJ x 8MB
4	000-166-175	2	Elbow, 45°, 6MJ x 6MB
5	000-166-409	1	Valve, Directional, Includes Item 6
6	LP	4	O-Ring, Directional Valve
7	001-001-060	1	Cap, Quick Disconnect, with Chain
8	LP	1	Screw, Pan Head, Phillips, #6-32UNC x 1/2" Long

AR - As Required NSS - Not Serviced Separately ASN - After Serial No. BSN - Before Serial No. LP - Local Purchase

Laser Grading Box PARTS LIST

Figure 9. Laser Controls and Related Parts - Apache/Spectra



Laser Grading Box PARTS LIST



**Figure 9. Laser Controls and Related Parts - Apache/
Spectra**

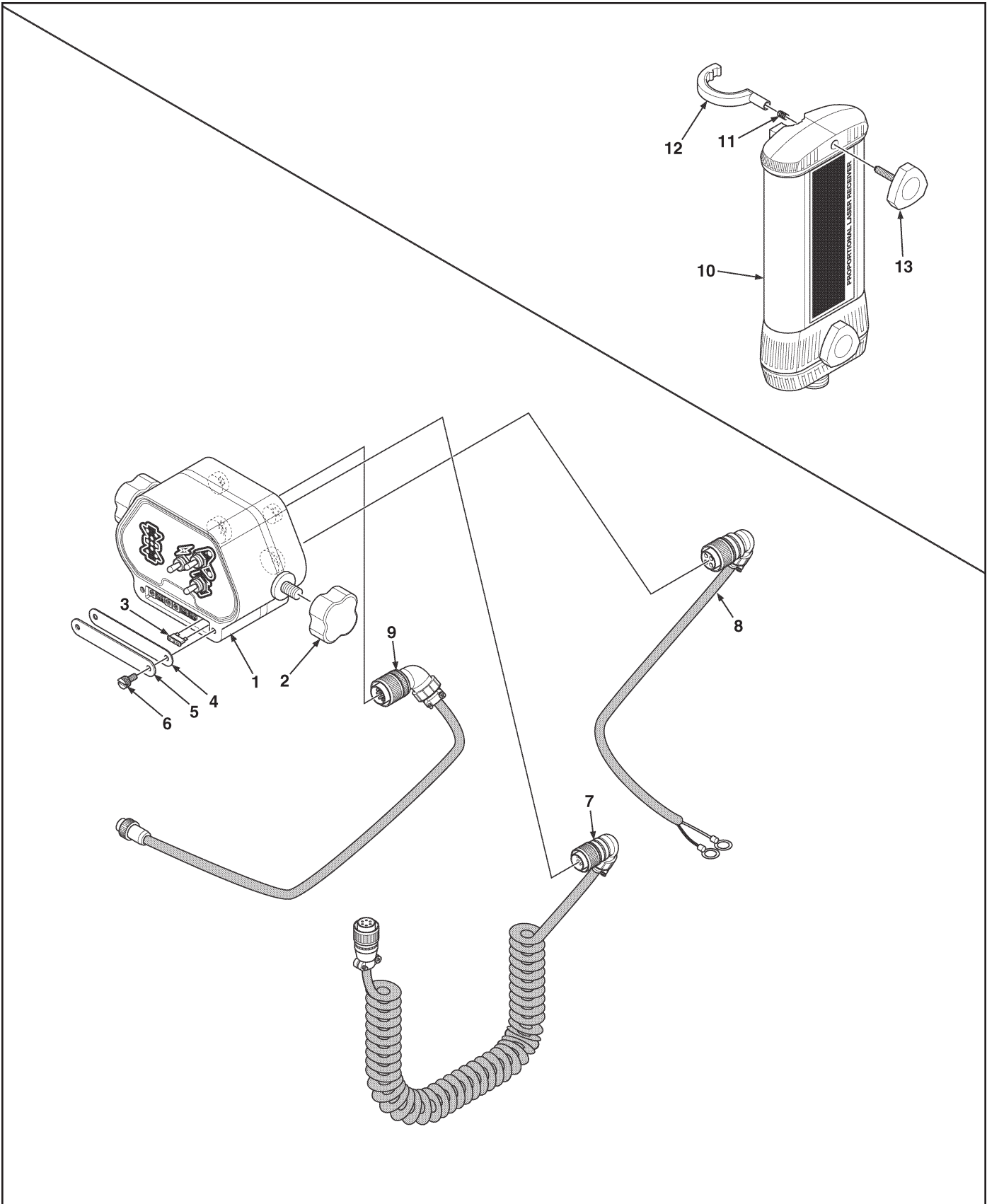
ATI Corporation
New Holland, PA 17557
Phone (717) 3564-8721 • FAX (717) 354-2162
1-800-342-0905
www.level-best.com

Item	Part No.	Qty	Description
1	001-001-052	1	Pole, Mast
2	001-001-053	1	Handle, Tee
3	000-200-093	1	Sensor, Bullseye 5MC
4	000-200-092	1	Panel, Control, See Breakdown Figure 8
5	001-001-075	1	Bracket, Control Panel
6	000-166-524	1	Valve Assembly, Hydraulic
7	000-200-099	1	Cable, Sensor, Coiled, 15' Long
8	000-200-097	1	Cable, Power, 2-Wire, 20' Long
9	000-200-151	1	Cable, Solenoid, 90° Connector, 12' Long

AR - As Required NSS - Not Serviced Separately ASN - After Serial No. BSN - Before Serial No. LP - Local Purchase

Laser Grading Box PARTS LIST

Figure 10. Control Panel, Receiver, Cables - Apache/Spectra



Laser Grading Box PARTS LIST



Figure 10. Control Panel, Receiver, Cables - Apache/Spectra

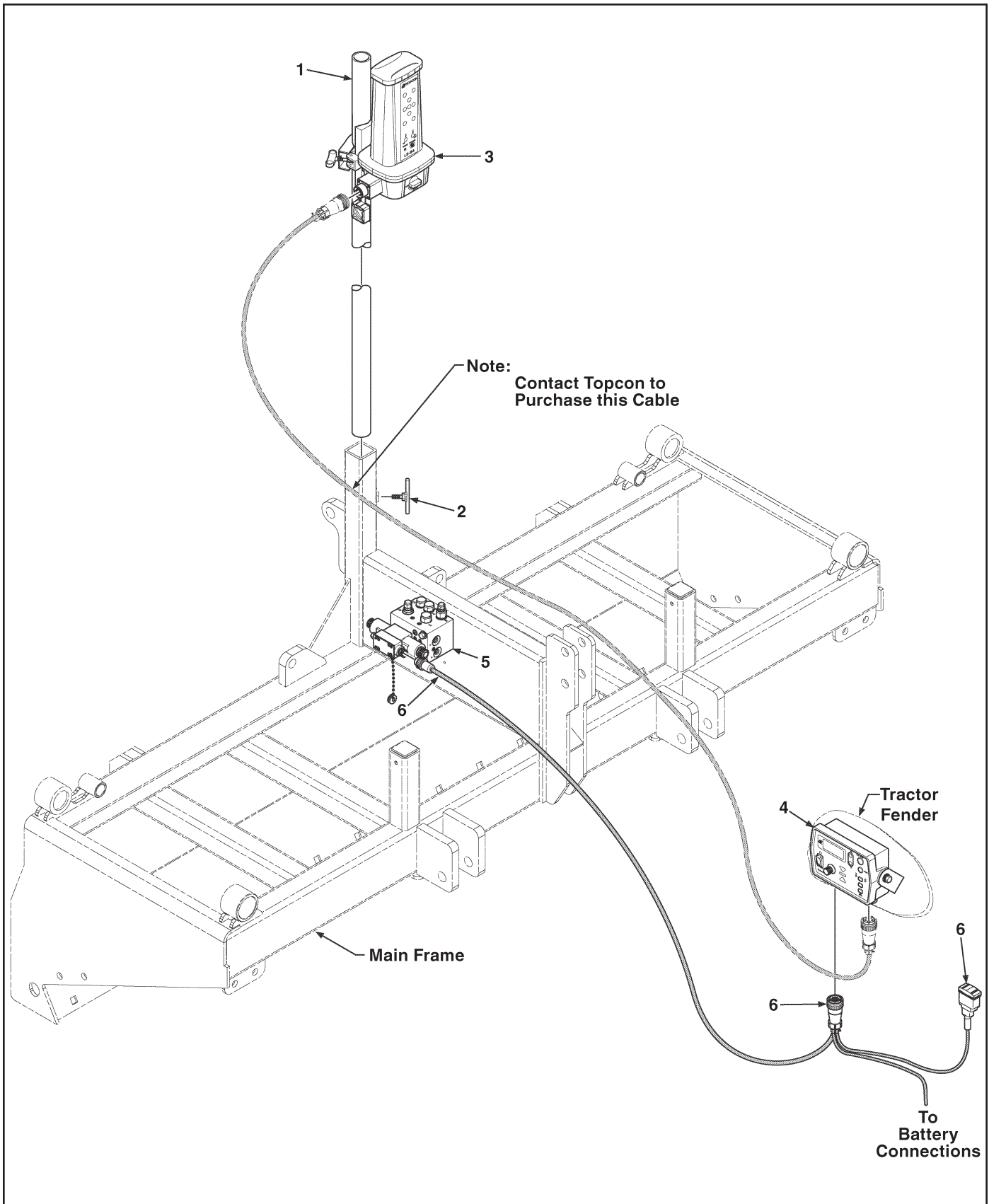
ATI Corporation
 New Holland, PA 17557
 Phone (717) 3564-8721 • FAX (717) 354-2162
1-800-342-0905
www.level-best.com

Item	Part No.	Qty	Description
1	000-200-092	1	Panel Assembly, Control, Includes Items 2 thru 6
2	000-200-112	2	Knob
3	LP	1	Fuse, 25 Amp
4	000-200-115	1	Gasket, Front Cover Plate
5	000-200-114	1	Plate, Front Cover
6	000-200-113	2	Screw, Thumb
7	000-200-099	1	Cable, Sensor, Coiled, 15' Long
8	000-200-097	1	Cable, Power, 2-Wire, 20' Long
9	000-200-151	1	Cable, Solenoid, 90° Connector, 12' Long
10	000-200-093	1	Sensor, Bullseye 5MC, Includes Items 11 thru 13
11	000-161-094	2	Spring, Clamp, Compression
12	000-200-108	2	Clamp, Universal, 2" Dia.
13	000-200-107	2	Knob, Clamp

AR - As Required NSS - Not Serviced Separately ASN - After Serial No. BSN - Before Serial No. LP - Local Purchase

Laser Grading Box PARTS LIST

Figure 11. Laser Controls and Related Parts - Topcon



Laser Grading Box PARTS LIST



Figure 11. Laser Controls and Related Parts - Topcon

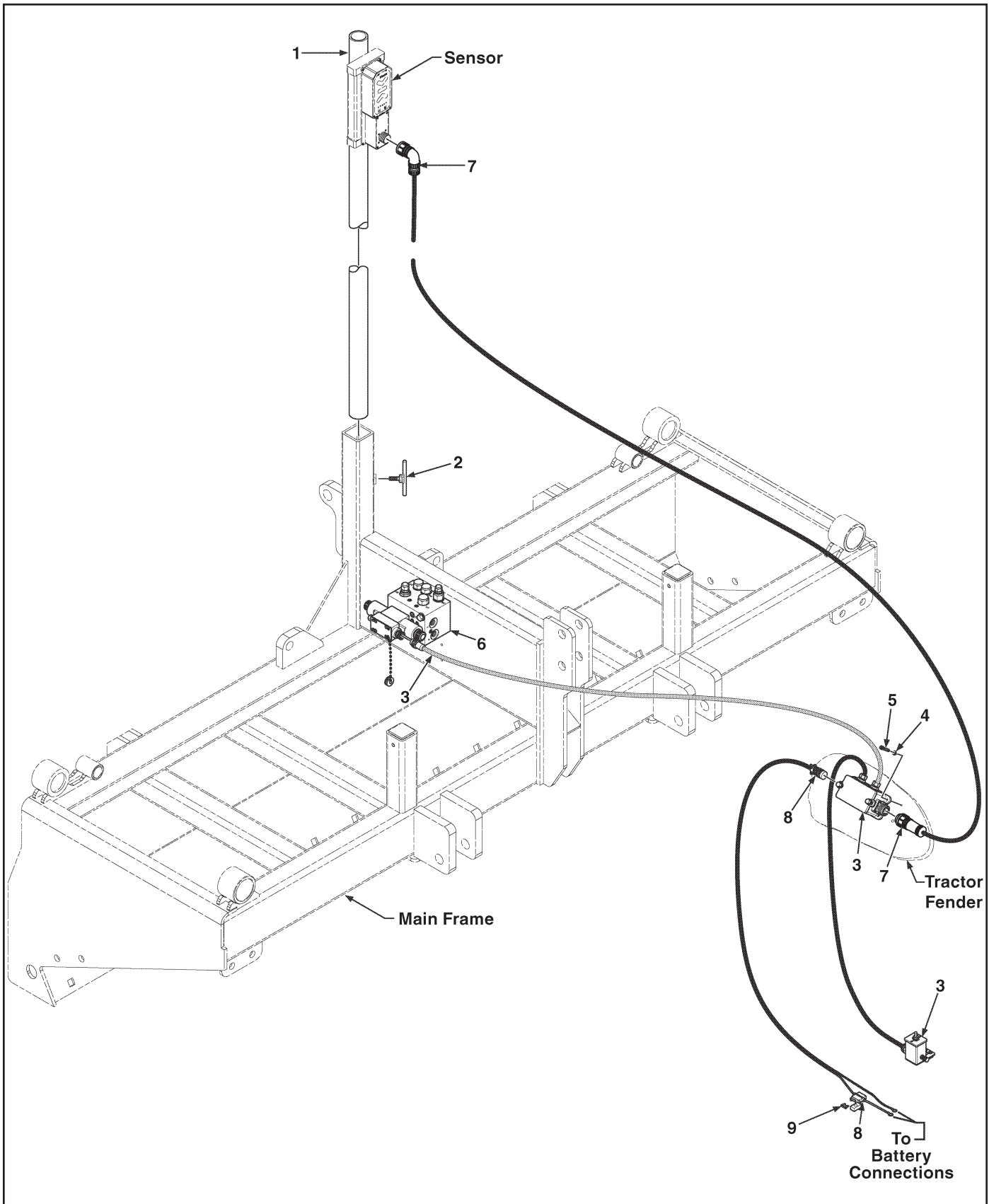
ATI Corporation
 New Holland, PA 17557
 Phone (717) 3564-8721 • FAX (717) 354-2162
1-800-342-0905
 www.level-best.com

Item	Part No.	Qty	Description
1	001-001-052	1	Pole, Mast
2	001-001-053	1	Handle, Tee
3	000-200-070	1	Receiver, Laser, 360°, LS-B4
4	000-200-069	1	Panel, Control, System Five
5	000-166-524	1	Valve Assembly, Hydraulic, See Breakdown Figure 8
6	000-200-171	1	Cable, Power/Remote/Solenoid, System Five & LS-B4, Topcon

AR - As Required NSS - Not Serviced Separately ASN - After Serial No. BSN - Before Serial No. LP - Local Purchase

Laser Grading Box PARTS LIST

Figure 12. Laser Controls and Related Parts - Trimble GCR



Laser Grading Box PARTS LIST



ATI Corporation

New Holland, PA 17557

Phone (717) 3564-8721 • FAX (717) 354-2162

1-800-342-0905

www.level-best.com

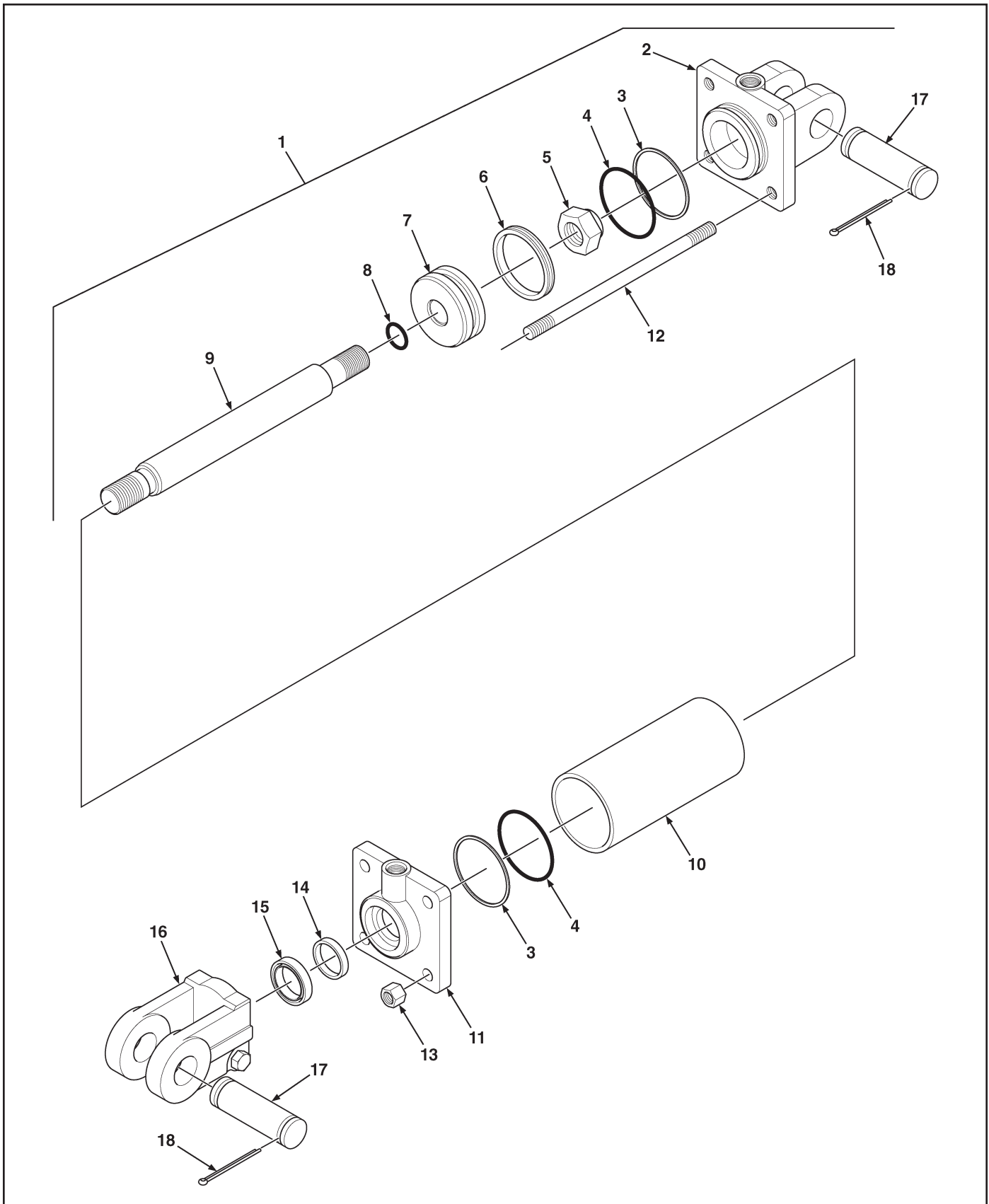
Figure 12. Laser Controls and Related Parts - Trimble GCR

Item	Part No.	Qty	Description
1	001-001-052	1	Pole, Mast
2	001-001-053	1	Handle, Tee
3	000-200-086	1	Kit, Cables
4	LP	2	Washer, Flat, 1/4"
5	LP	2	Bolt, Socket Head, 1/4"-20UNC x 5/8" Long
6	000-166-524	1	Valve Assembly, Hydraulic, See Breakdown Figure 8
7	000-200-129	1	Cable, Receiver
8	000-200-006	1	Cable, Power
9	LP	AR	Fuse, 10 Amp

AR - As Required NSS - Not Serviced Separately ASN - After Serial No. BSN - Before Serial No. LP - Local Purchase

Laser Grading Box PARTS LIST

Figure 13. Cylinder Assembly, 3" Bore x 6" Stroke



Laser Grading Box PARTS LIST



Figure 13. Cylinder Assembly, 3" Bore x 6" Stroke

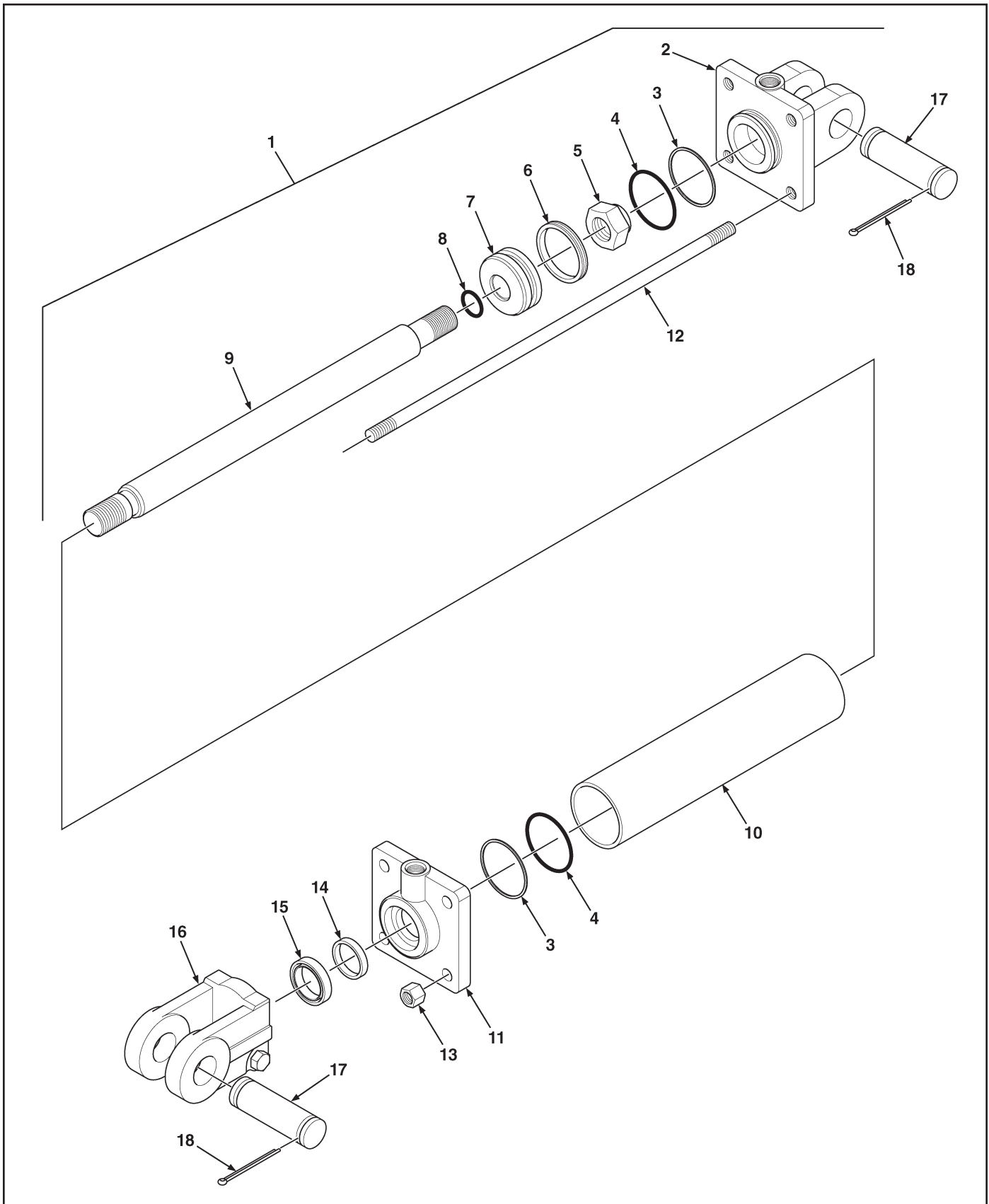
ATI Corporation
 New Holland, PA 17557
 Phone (717) 3564-8721 • FAX (717) 354-2162
1-800-342-0905
 www.level-best.com

Item	Part No.	Qty	Description
1	000-166-181	1	Cylinder Assembly, 3" Bore x 6" Stroke, Includes Items 2 thru 18
2	000-166-322	1	Butt Assembly
3	NSS	2	Ring, Back Up
4	NSS	2	O-Ring
5	000-158-195	1	Nut, Lock
6	NSS	1	Seal, Crown
7	000-166-326	1	Piston
8	NSS	1	O-Ring
9	000-166-328	1	Rod Assembly
10	000-166-329	1	Tube
11	000-166-330	1	Gland
12	000-166-331	4	Tie Rod Assembly, Includes Item 13
13	NSS	4	Nut, Hex, Tie Rod
14	NSS	1	Seal, U-Cup
15	NSS	1	Seal, Wiper
16	000-166-334	1	Clevis Assembly
17	000-161-068	2	Pin, Cylinder, 1" Dia. x 3-3/8" Long
18	LP	4	Pin, Cotter, 3/16" Dia. x 1-3/4" Long
	000-166-207	AR	Kit, Cylinder Repair Includes: Items 3, 4, 6, 8, 14 & 15

AR - As Required NSS - Not Serviced Separately ASN - After Serial No. BSN - Before Serial No. LP - Local Purchase

Laser Grading Box PARTS LIST

Figure 14. Cylinder Assembly, 2-1/2" Bore x 12" Stroke



Laser Grading Box PARTS LIST



Figure 14. Cylinder Assembly, 2-1/2" Bore x 12" Stroke

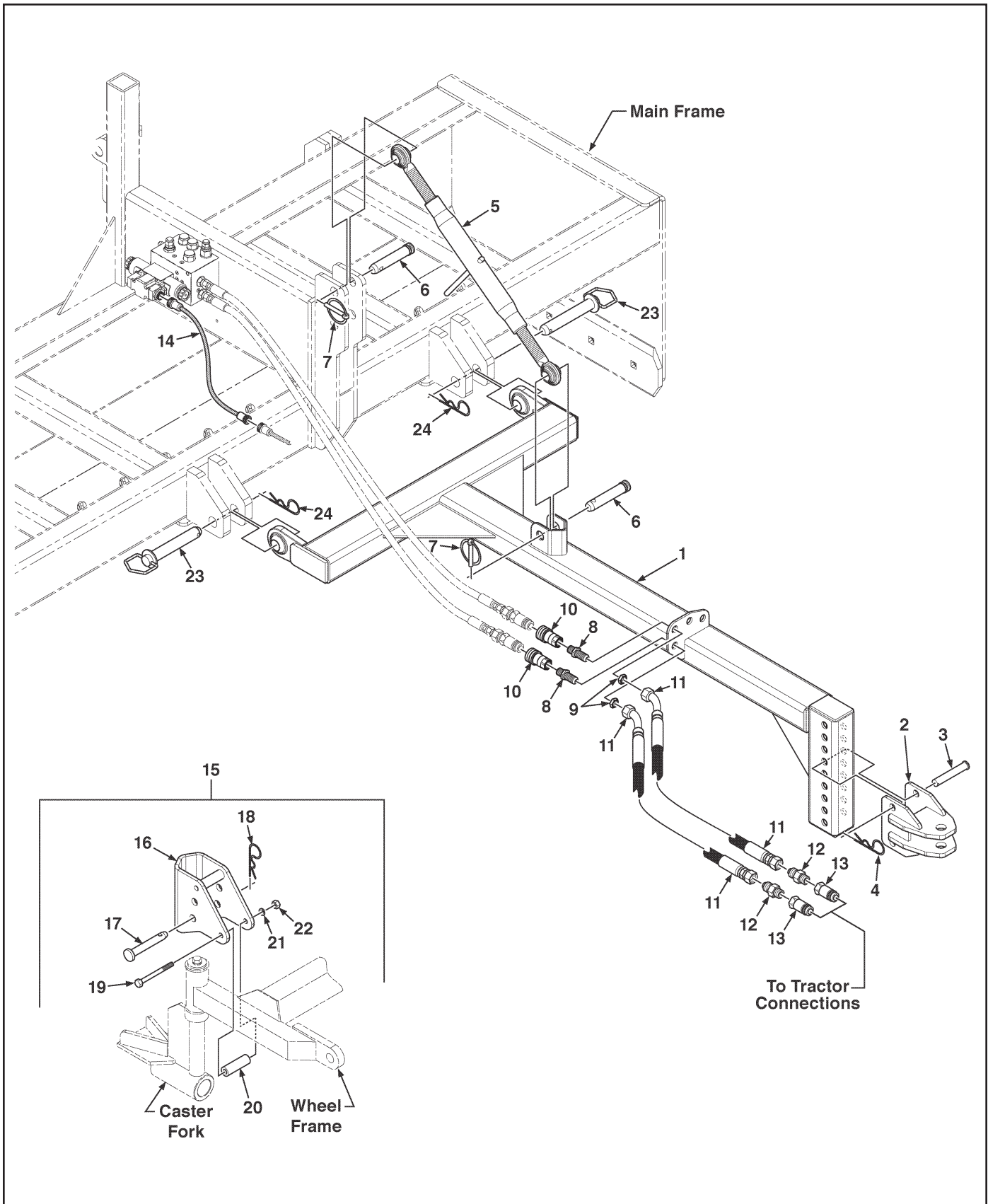
ATI Corporation
 New Holland, PA 17557
 Phone (717) 3564-8721 • FAX (717) 354-2162
1-800-342-0905
 www.level-best.com

Item	Part No.	Qty	Description
1	000-166-439	1	Cylinder Assembly, 2-1/2" Bore x 12" Stroke, Includes Items 2 thru 18
2	000-166-539	1	Butt Assembly
3	NSS	2	Ring, Back Up
4	NSS	2	O-Ring
5	000-158-001	1	Nut, Lock
6	NSS	1	Seal, Crown
7	000-166-540	1	Piston
8	NSS	1	O-Ring
9	000-166-541	1	Rod Assembly
10	000-166-542	1	Tube
11	000-166-543	1	Gland
12	000-166-544	4	Tie Rod Assembly, Includes Item 13
13	NSS	4	Nut, Hex, Tie Rod
14	NSS	1	Seal, U-Cup
15	NSS	1	Seal, Wiper
16	000-166-545	1	Clevis Assembly
17	000-161-068	2	Pin, Cylinder, 1" Dia. x 3-3/8" Long
18	LP	4	Pin, Cotter, 3/16" Dia. x 1-3/4" Long
	000-166-546	AR	Kit, Cylinder Repair Includes: Items 3, 4, 6, 8, 14 & 15

AR - As Required NSS - Not Serviced Separately ASN - After Serial No. BSN - Before Serial No. LP - Local Purchase

Laser Grading Box PARTS LIST

Figure 15. Drawbar Kit, with Wheel Locks (Optional)



Laser Grading Box PARTS LIST



ATI Corporation
 New Holland, PA 17557
 Phone (717) 3564-8721 • FAX (717) 354-2162
1-800-342-0905
 www.level-best.com

Figure 15. Drawbar Kit, with Wheel Locks (Optional)

Item	Part No.	Qty	Description
	315-616-000	1	Kit, Drawbar, Category II, Includes Items 1 thru 22
1	315-617-000	1	Drawbar Weldment, Category II
2	315-542-000	1	Hitch, Clevis
3	000-161-079	2	Pin, Clevis, 3/4" Dia. x 4-1/2" Long
4	000-161-071	2	Pin, Cotter, Hair, .148" Dia. x 2-11/16" Long
5	001-001-104	1	Top Link, Category II
6	000-161-085	2	Pin, Top Link, 1" Dia. x 5-1/4" Long
7	000-161-028	2	Pin, Lynch, Locking, 7/16"
8	000-166-447	2	Connector, Bulkhead, 8MP x 8BH, Includes Item 9
9	NSS	2	Nut, Hex, Jam Lock
10	000-166-218	2	Coupler, Quick Disconnect, Ag, Female, 1/2" x 1/2" NPT
11	000-166-187	2	Hose, 1/2" Dia. x 58" Long x 8FJX x 8FJX45, 3,000 PSI
12	000-166-168	2	Adapter, Straight, 8MJ x 8MP
13	000-166-210	2	Coupler, Quick Disconnect, Ag, Male, 1/4"
14	000-200-231	1	Cable, Extension, Solenoid, 10' Long
15	315-615-000	2	Kit, Wheel Lock, Includes Items 16 thru 22
16	315-615-101	1	Wheel Lock Weldment
17	000-161-081	1	Pin, Clevis, 3/4" Dia. x 5-1/4" Long
18	000-161-071	1	Pin, Cotter, Hair, .148" Dia. x 2-11/16" Long
19	LP	1	Bolt, Hex Head, 1/2"-13UNC x 4-1/2" Long
20	315-615-102	1	Spacer
21	LP	4	Washer, Lock, 1/2"
22	LP	4	Nut, Hex, 1/2"-13UNC
23	000-161-075	2	Pin, Hitch, 1-1/8" Dia. x 7" Long, Category II
24	000-161-019	2	Pin, Hair, Cotter, 3/16" Dia. x 3-3/4" Long

BH-Bulkhead
 MP-Male Pipe
 FP-Female Pipe
 FPX-Female Pipe Swivel
 MB-Male O-Ring Boss
 FB-Female O-Ring Boss
 MJ-Male JIC
 FJ-Female JIC
 FJX-Female JIC Swivel

AR - As Required NSS - Not Serviced Separately ASN - After Serial No. BSN - Before Serial No. LP - Local Purchase

ATI Corporation
New Holland, PA 17557
Phone (717) 3564-8721 • FAX (717) 354-2162
1-800-342-0905
www.level-best.com

Figure 16. Decals



Laser Grading Box PARTS LIST



ATI Corporation
 New Holland, PA 17557
 Phone (717) 3564-8721 • FAX (717) 354-2162
1-800-342-0905
www.level-best.com

Figure 16. Decals

Item	Part No.	Qty	Description
1	000-186-045	3	Decal, Level Best Logo
2	000-186-051	4	Decal, Danger, Pinch Point
3	000-186-094	2	Decal, Danger, This Machine Starts & Stops Automatically
4	000-186-041	1	Decal, Warning, High Pressure
5	000-186-035	1	Plate, Model/Serial, Adhesive Back
6	LP	AR	Skid Grip

AR - As Required NSS - Not Serviced Separately ASN - After Serial No. BSN - Before Serial No. LP - Local Purchase