

**Level Best**

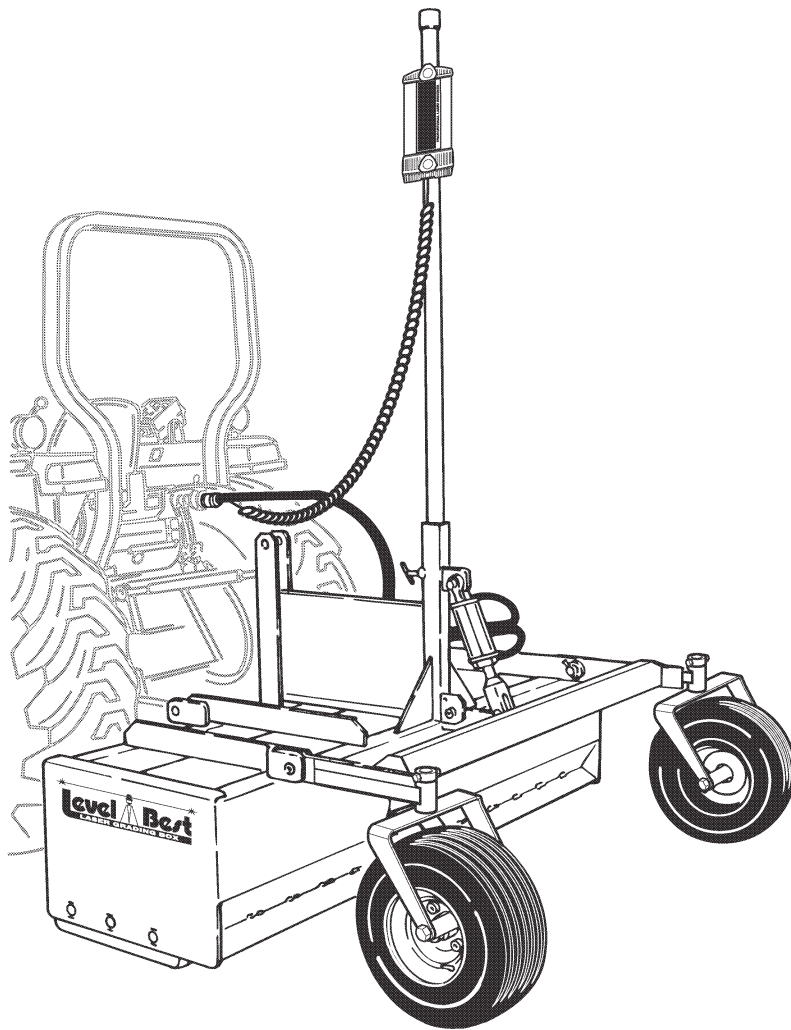
**LASER GRADING BOX**

**PARTS MANUAL**

**FOR**

**TRACTOR BOX - SINGLE**

**APACHE/SPECTRA, LEICA, MEI/AGL, & TOPCON**



ATI Corporation

New Holland, PA 17557

Phone (717) 354-8721 • FAX (717) 354-2162

1-800-342-0905

[www.level-best.com](http://www.level-best.com)

**JULY 2013**

CAT.# LBSLGBPM-G-0208





ATI Corporation  
New Holland, PA 17557  
Phone (717) 3564-8721 • FAX (717) 354-2162  
**1-800-342-0905**  
[www.level-best.com](http://www.level-best.com)

COPYRIGHT 2013 by  
**ATI Corporation**  
250 Earland Drive  
New Holland, PA 17557 U.S.A.

## **DISCLAIMER**

THE INFORMATION IN THIS MANUAL IS PROVIDED TO PROMOTE THE SAFE USE OF, AND ASSIST THE OPERATOR IN ACHIEVING THE BEST PERFORMANCE FROM, LASER GRADING BOX DESCRIBED HEREIN, FOR THEIR INTENDED APPLICATIONS.



ATI Corporation  
 New Holland, PA 17557  
 Phone (717) 3564-8721 • FAX (717) 354-2162  
 1-800-342-0905  
 www.level-best.com

# Laser Grading Box PARTS LIST

## Standard Models

Part Number	Model Number	Description
315-004-000	LBS6	Box, Grader, Tractor, Single, 6', Cylinder Only
315-005-000	LBS7	Box, Grader, Tractor, Single, 7', Cylinder Only
315-006-000	LBS8	Box, Grader, Tractor, Single, 8', Cylinder Only
315-008-000	LBS9	Box, Grader, Tractor, Single, 9', Cylinder Only
000-166-643		Kit, Hydraulic, Single Apache/Spectra, Includes Valve Assembly, Hydraulic Single, Hoses, Fittings and Solenoid Cable
000-166-653		Kit, Hydraulic, Single Leica, Includes Valve Assembly, Hydraulic Single, Hoses, Fittings and Solenoid Cable
000-166-644		Kit, Hydraulic, Single MEI/AGL, Includes Valve Assembly, Hydraulic Single, Hoses, Fittings and Solenoid Cable
000-166-448		Kit, Hydraulic, Single Topcon, Includes System Five Remote, Power and Solenoid Cable (does not include Receiver Cable)
000-200-095		Kit, Laser Controls, Single, Apache, Includes CB26 Control Panel, 360° Receiver, Power Cable and Receiver Cable
000-200-210		Kit, Laser Controls, Single, Leica, Includes MCP-700 Panel, 360 Degree Receiver, Power Cable and Receiver Cable
000-200-218		Kit, Laser Controls, Single, Spectra, Includes CB25 Control Panel, 360° Receiver, Power Cable and Receiver Cable

# Laser Grading Box PARTS LIST



ATI Corporation  
New Holland, PA 17557  
Phone (717) 3564-8721 • FAX (717) 354-2162  
**1-800-342-0905**  
[www.level-best.com](http://www.level-best.com)

## Table of Contents

<b>SUBJECT</b>	<b>PAGE NO.</b>
Standard Models .....	ii
Table of Contents .....	iii
Warranty.....	iv
Serial Number Information.....	iv
Where To Get Parts and Service .....	iv
How To Order Parts .....	v
Notes .....	vi
List Of Parts Illustrations .....	1



# Laser Grading Box PARTS LIST

ATI Corporation  
New Holland, PA 17557  
Phone (717) 3564-8721 • FAX (717) 354-2162  
1-800-342-0905  
www.level-best.com

## WARRANTY

This Laser Grading Box is designed and manufactured to high quality standards. ATI Corporation, therefore, guarantees this Laser Grading Box to be free from defect in workmanship and materials for three years from purchase date. If the machine is used for rental purposes, the warranty is limited to ninety (90) days.

Vendored Components and Control Valve Parts are warranted separately by their respective manufacturers.

Does not cover normal wear or failure due to hydraulic oil contamination.

Misuse, abuse, misapplication, and unauthorized alterations will void this warranty.

**All warranty work must be performed by an approved Level Best dealer, and authorized by ATI Corporation.**

## SERIAL NUMBER INFORMATION

It is very important that the correct serial number is provided when ordering parts. The serial number plate is located on the main frame. Please mark the model and serial number of your Laser Grading Box in the space provided below in case the plate on your Laser Grading Box gets lost or damaged.

**Model..... Serial Number .....**  
**Dealer Name ..... Dealer Phone Number .....**

## WHERE TO GET PARTS AND SERVICE

When replacement parts and service are required, ATI Corporation recommends returning to the dealer from which the product or optional kit was purchased. By going to the dealer, you are dealing with people that understand and know ATI products. Our dealers have the experience servicing these machines and stock the most common parts required to keep your equipment in top working condition.

*NOTE: ATI Corporation reserves the right to discontinue models at any time, change specifications, and improve design without notice and without incurring obligation on goods previously purchased and to discontinue supplying any part listed, when the demand does not warrant production.*

# Laser Grading Box PARTS LIST



ATI Corporation  
New Holland, PA 17557  
Phone (717) 3564-8721 • FAX (717) 354-2162  
**1-800-342-0905**  
[www.level-best.com](http://www.level-best.com)

## HOW TO ORDER PARTS

Parts lists contained in this book have been prepared to help you when ordering spare and/or replacement parts. Your order will be filled promptly and accurately when the following information is provided:

1. Model and serial number of the unit. (This specifically identifies the equipment you have and permits us to verify the part numbers in your order.)
2. The parts list page number and catalog number. Include catalog revision number, if applicable.
3. The **Item** number for each part. **Item** numbers on the parts list page correspond with the numbers shown on the illustration.
4. **Part Number** as it appears in the parts list. In most cases this will be a nine-digit number; for example: 315-005-000.
5. The **Description** for the part as it appears on the parts list page.

When a complete assembly is needed, use the assembly number given in the parts list. If no assembly number is given, order by main assembly title and list only the item numbers you want. For example: "Wheel Frame Assembly per 315-509-000, Items 2 through 8, inclusive".

The part ordered may have a new part number, or the part may have been replaced by a newer design with a different part number. In these cases your acknowledgement, shipping papers and invoices will be written listing the current part number first; the old part number you referred to will follow the part description.

Our purpose in doing this is to tell you that the parts are fully interchangeable. This will avoid any unnecessary correspondence or delay in processing your order. We suggest that you add any new number to your parts lists for future use.





# Laser Grading Box PARTS LIST



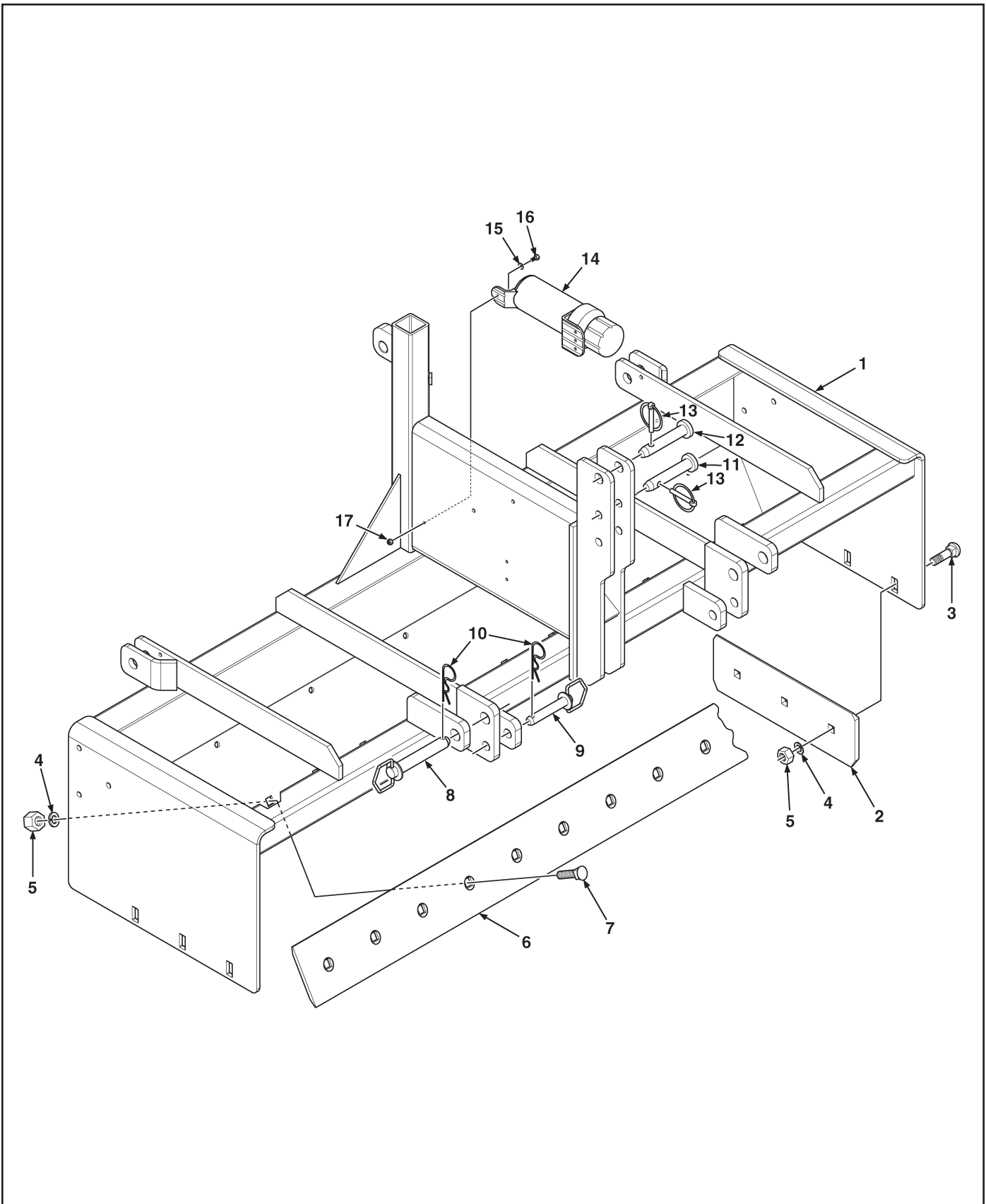
ATI Corporation  
New Holland, PA 17557  
Phone (717) 3564-8721 • FAX (717) 354-2162  
**1-800-342-0905**  
[www.level-best.com](http://www.level-best.com)

## List Of Parts Illustrations

Figure 1. Main Frame and Cutting Edges.....	2
Figure 2. Wheel Frame and Related Parts.....	4
Figure 3. Caster Fork and Wheel - Models LBS6, LBS7 & LBS8.....	6
Figure 4. Caster Fork and Wheel - Model LBS9 .....	8
Figure 5. Hydraulics Cylinder Only.....	10
Figure 6. Hydraulics With Optional Valve Assembly ASN2095 .....	12
Figure 7. Hydraulics With Optional Valve Assembly BSN2096 .....	14
Figure 8. Hydraulic Valve Assembly ASN2095.....	16
Figure 9. Hydraulic Valve Assembly BSN2096.....	18
Figure 10. Laser Controls and Related Parts - Apache/Spectra ASN2095 .....	20
Figure 11. Laser Controls and Related Parts - Apache/Spectra BSN2096 .....	22
Figure 12. Control Panel, Receiver, Cables - Apache/Spectra.....	24
Figure 13. Laser Controls and Related Parts - Leica MCP700.....	26
Figure 14. Control Panel, Receiver, Cables - Leica MCP700 .....	28
Figure 15. Laser Controls and Related Parts - Topcon ASN2095 .....	30
Figure 16. Laser Controls and Related Parts - Topcon BSN2096 .....	32
Figure 17. Cylinder Assembly, 3" Bore x 6" Stroke ASN2100 .....	34
Figure 18. Cylinder Assembly, 3" Bore x 6" Stroke BSN2099 .....	36
Figure 19. Scarifier Assembly (Optional).....	38
Figure 20. Drawbar Kit, with Wheel Locks (Optional).....	40
Figure 21. Back Blade Assembly - Hinged (Optional).....	42
Figure 22. Decals .....	44

# Laser Grading Box PARTS LIST

Figure 1. Main Frame and Cutting Edges



# Laser Grading Box PARTS LIST



**Figure 1. Main Frame and Cutting Edges**

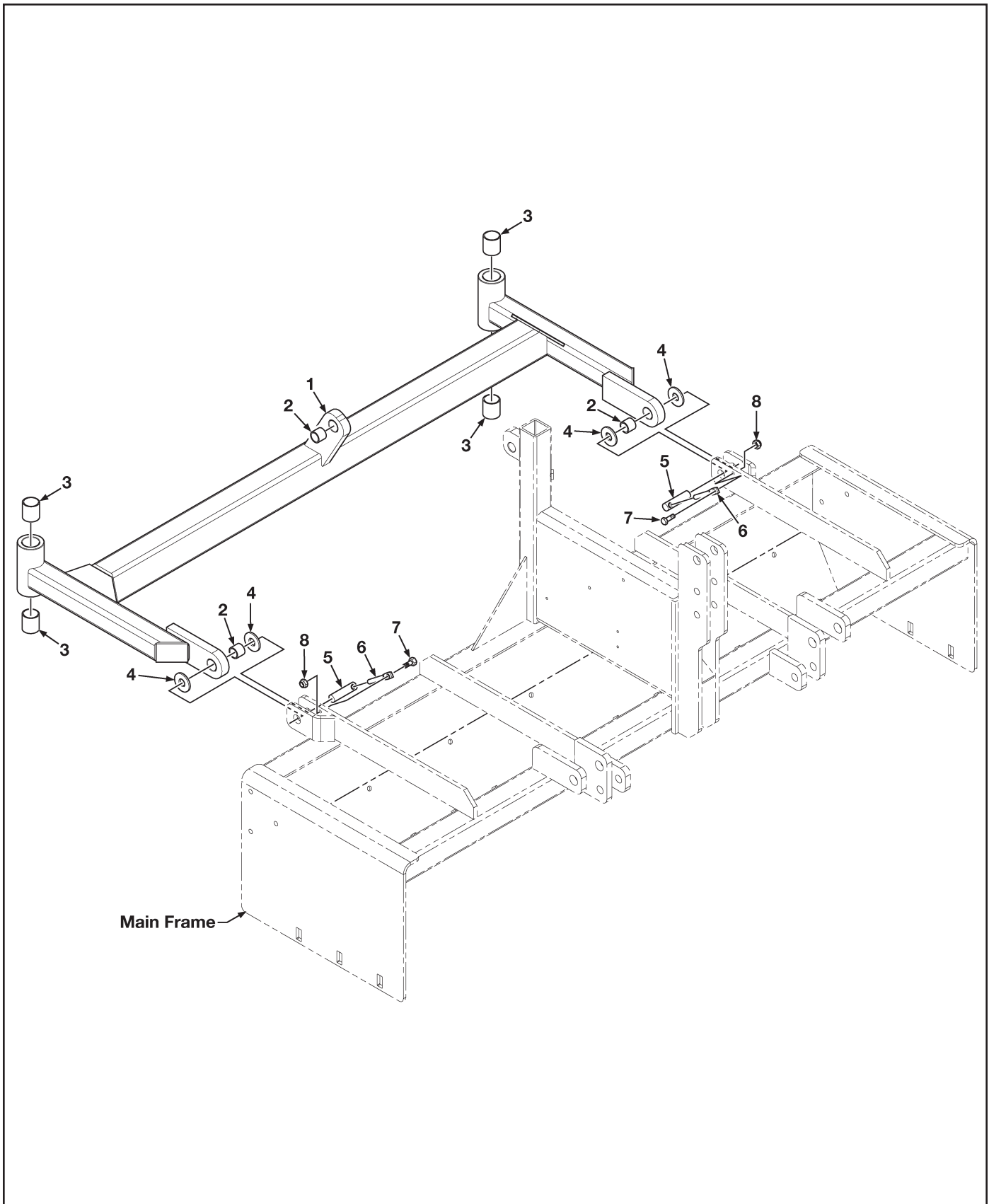
ATI Corporation  
 New Holland, PA 17557  
 Phone (717) 3564-8721 • FAX (717) 354-2162  
**1-800-342-0905**  
[www.level-best.com](http://www.level-best.com)

Item	Part No.	Qty	Description
1	315-503-000	1	Frame, Main, Tractor, Single, 6'
	315-504-000	1	Frame, Main, Tractor, Single, 7'
	315-505-000	1	Frame, Main, Tractor, Single, 8'
	315-086-100	1	Frame, Main, Tractor, Single, 9'
2	000-190-072	2	Edge, Cutting, End, DBF, 19-1/2" Long
3	000-150-253	6	Bolt, Carriage, 5/8"-11UNC x 1-3/4" Long
4	000-155-077	AR	Washer, Lock, 5/8"
5	000-158-138	AR	Nut, Hex, 5/8"-11UNC
6	000-190-075	1	Edge, Cutting, DBF, 72" Long
	000-190-077	1	Edge, Cutting, DBF, 84" Long
	000-190-079	1	Edge, Cutting, DBF, 96" Long
	000-190-091	1	Edge, Cutting, DBF, 108" Long
7	000-150-269	AR	Bolt, Plow, 5/8"-11UNC x 2-1/4" Long
8	000-161-075	2	Pin, Hitch, 1-1/8" Dia. x 7" Long, Category II
9	000-161-076	2	Pin, Hitch, 7/8" Dia. x 5-1/4" Long, Category I
10	000-161-019	4	Pin, Hair, Cotter, 3/16" Dia. x 3-3/4" Long
11	000-161-081	1	Pin, Top Link, 3/4" Dia. x 5-1/2" Long, Category I
12	000-161-085	1	Pin, Top Link, 1" Dia. x 5-1/4" Long, Category II
13	000-161-028	2	Pin, Lynch, Locking, 7/16"
14	001-001-083	1	Canister, Operators Manual
15	000-155-020	3	Washer, Flat, 1/4"
16	000-150-049	3	Bolt, Hex Head, 1/4"-20UNC x 1" Long
17	000-158-050	3	Nut, Hex, Nylon Lock, 1/4"-20UNC

AR - As Required    NSS - Not Serviced Separately    ASN - After Serial No.    BSN - Before Serial No.    LP - Local Purchase

# Laser Grading Box PARTS LIST

## Figure 2. Wheel Frame and Related Parts



# Laser Grading Box PARTS LIST



**Figure 2. Wheel Frame and Related Parts**

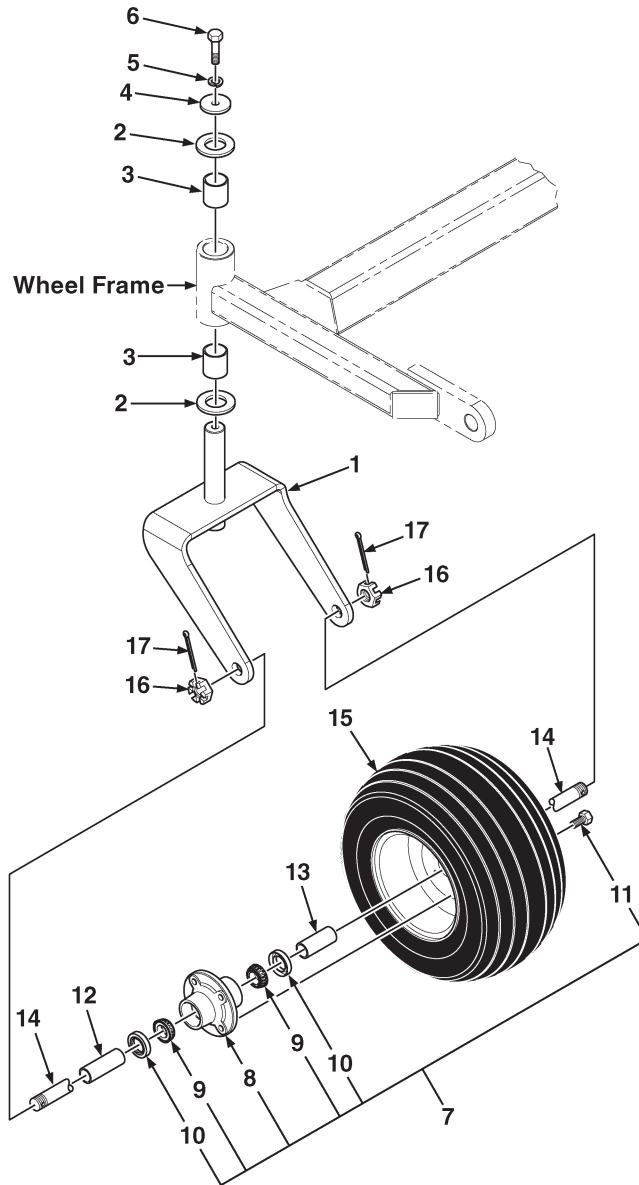
ATI Corporation  
 New Holland, PA 17557  
 Phone (717) 3564-8721 • FAX (717) 354-2162  
**1-800-342-0905**  
[www.level-best.com](http://www.level-best.com)

Item	Part No.	Qty	Description
1	315-508-000	1	Frame, Wheel, Tractor, Single, 6'
	315-509-000	1	Frame, Wheel, Tractor, Single, 7' and 8'
	315-086-200	1	Frame, Wheel, Tractor, Single, 9' (Dual Casters)
			Includes Items 2 & 3
2	000-176-174	3	Bushing, Wheel Frame, 1-1/4" OD x 1" ID x 1" Long
3	000-176-171	4	Bushing, Wheel Frame, 1-3/4" OD x 1-1/2" ID x 1-1/2" Long
4	000-155-003	4	Bushing, Washer, 1-1/2" OD x 1" ID x 14 Gauge
5	000-161-065	2	Pin, Pivot, 1" Dia. x 3-1/4" Long
6	000-161-024	2	Pin, Retainer, 3/8" Dia. x 3-1/4" Long
7	000-150-082	2	Bolt, Hex Head, 5/16"-18UNC x 1-1/4" Long
8	000-158-066	2	Nut, Hex, Nylon Lock, 5/16"-18UNC

AR - As Required    NSS - Not Serviced Separately    ASN - After Serial No.    BSN - Before Serial No.    LP - Local Purchase

# Laser Grading Box PARTS LIST

**Figure 3. Caster Fork and Wheel -  
Models LBS6, LBS7 & LBS8**



# Laser Grading Box PARTS LIST



## Figure 3. Caster Fork and Wheel - Models LBS6, LBS7 & LBS8

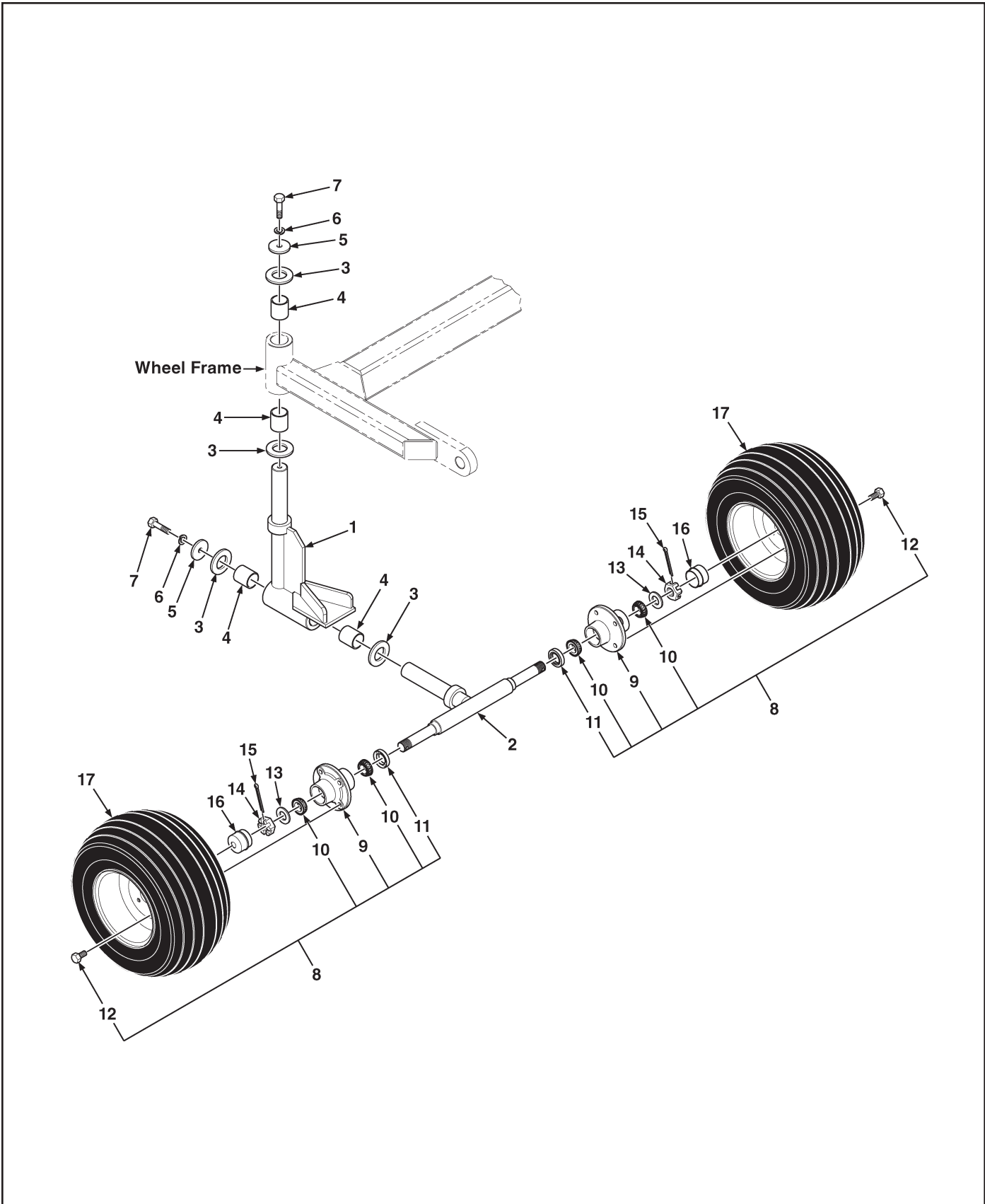
ATI Corporation  
New Holland, PA 17557  
Phone (717) 3564-8721 • FAX (717) 354-2162  
**1-800-342-0905**  
www.level-best.com

Item	Part No.	Qty	Description
1	315-548-000	2	Fork, Caster
2	000-155-002	4	Bushing, Washer, 2-1/4" OD x 1-1/2" ID x 10 Gauge
3	000-176-171	4	Bushing, Wheel Frame, 1-3/4" OD x 1-1/2" ID x 1-1/2" Long
4	000-155-004	2	Washer, Flat, 2-1/4" OD x 17/32" ID x 1/4" Thick
5	000-155-058	2	Washer, Lock, 1/2"
6	000-150-174	2	Bolt, Hex Head, 1/2"-13UNC x 1-1/4" Long
7	001-001-069	2	Hub Assembly, Includes Items 8 thru 11
8	001-001-074	1	Hub, Wheel, With Outer Race
9	000-176-184	2	Bearing, Roller, Tapered, 1" Dia. Bore
10	000-166-457	2	Seal, 1.983" OD x 1.219" ID x .475" Thick
11	000-150-218	4	Bolt, Lug, 1/2"-20UNF x 1-1/4" Long
12	315-598-000	2	Spacer, Wheel Hub, 1-1/4" OD x 3-5/8" Long
13	315-597-000	2	Spacer, Wheel Hub, 1-1/4" OD x 2-7/8" Long
14	315-553-000	2	Shaft, Axle, Wheel, Roller Bearing
15	001-001-057	2	Wheel/Tire, Foam-Filled, 18.5/8.50-8
16	000-158-193	4	Nut, Castle, 1"-14UNF
17	000-161-078	4	Pin, Cotter, 1/8" Dia. x 2" Long

AR - As Required    NSS - Not Serviced Separately    ASN - After Serial No.    BSN - Before Serial No.    LP - Local Purchase

# Laser Grading Box PARTS LIST

Figure 4. Caster Fork and Wheel - Model LBS9





# Laser Grading Box PARTS LIST



**Figure 4. Caster Fork and Wheel - Model LBS9**

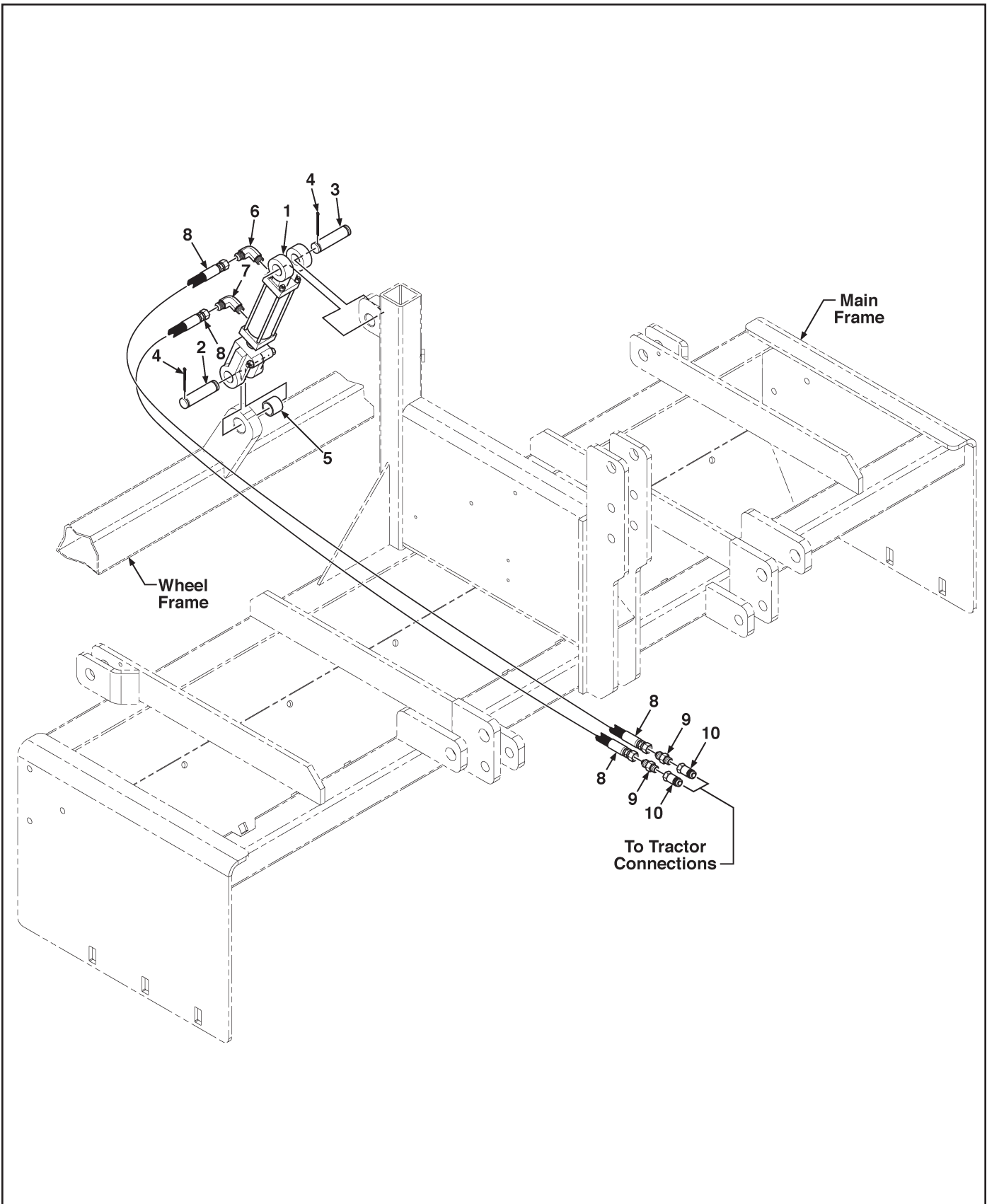
ATI Corporation  
 New Holland, PA 17557  
 Phone (717) 3564-8721 • FAX (717) 354-2162  
**1-800-342-0905**  
[www.level-best.com](http://www.level-best.com)

Item	Part No.	Qty	Description
1	315-065-300	2	Caster Weldment
2	315-065-400	2	Axle Weldment
3	000-155-002	8	Washer, Flat, 2-1/4" OD x 1-1/2" ID x 10 Gauge Thick
4	000-176-171	8	Bushing, Wheel Frame, 1-3/4" OD x 1-1/2" ID x 1-1/2" Long
5	000-155-004	4	Washer, Flat, 2-1/4" OD x 17/32" ID x 1/4" Thick
6	000-155-058	4	Washer, Lock, 1/2"
7	000-150-174	4	Bolt, Hex Head, 1/2"-13UNC x 1-1/4" Long
8	001-001-069	4	Hub Assembly, Includes Items 9 thru 12
9	001-001-074	1	Hub, Wheel, With Outer Race
10	000-176-184	2	Bearing, Roller, Tapered, 1" Dia. Bore
11	000-166-457	2	Seal, 1.983" OD x 1.219" ID x .475" Thick
12	000-150-218	4	Bolt, Lug, 1/2"-20UNF x 1-1/4" Long
13	000-155-003	4	Washer, Flat, 1-1/2" OD x 1" ID x 14 Gauge
14	000-158-193	4	Nut, Castle, 1"-14UNF
15	000-161-078	4	Pin, Cotter, 1/8" Dia. x 2" Long
16	001-001-084	4	Cap, Dust
17	001-001-057	4	Wheel/Tire, Foam-Filled, 18.5/8.50-8

AR - As Required    NSS - Not Serviced Separately    ASN - After Serial No.    BSN - Before Serial No.    LP - Local Purchase

# Laser Grading Box PARTS LIST

## Figure 5. Hydraulics Cylinder Only



# Laser Grading Box PARTS LIST



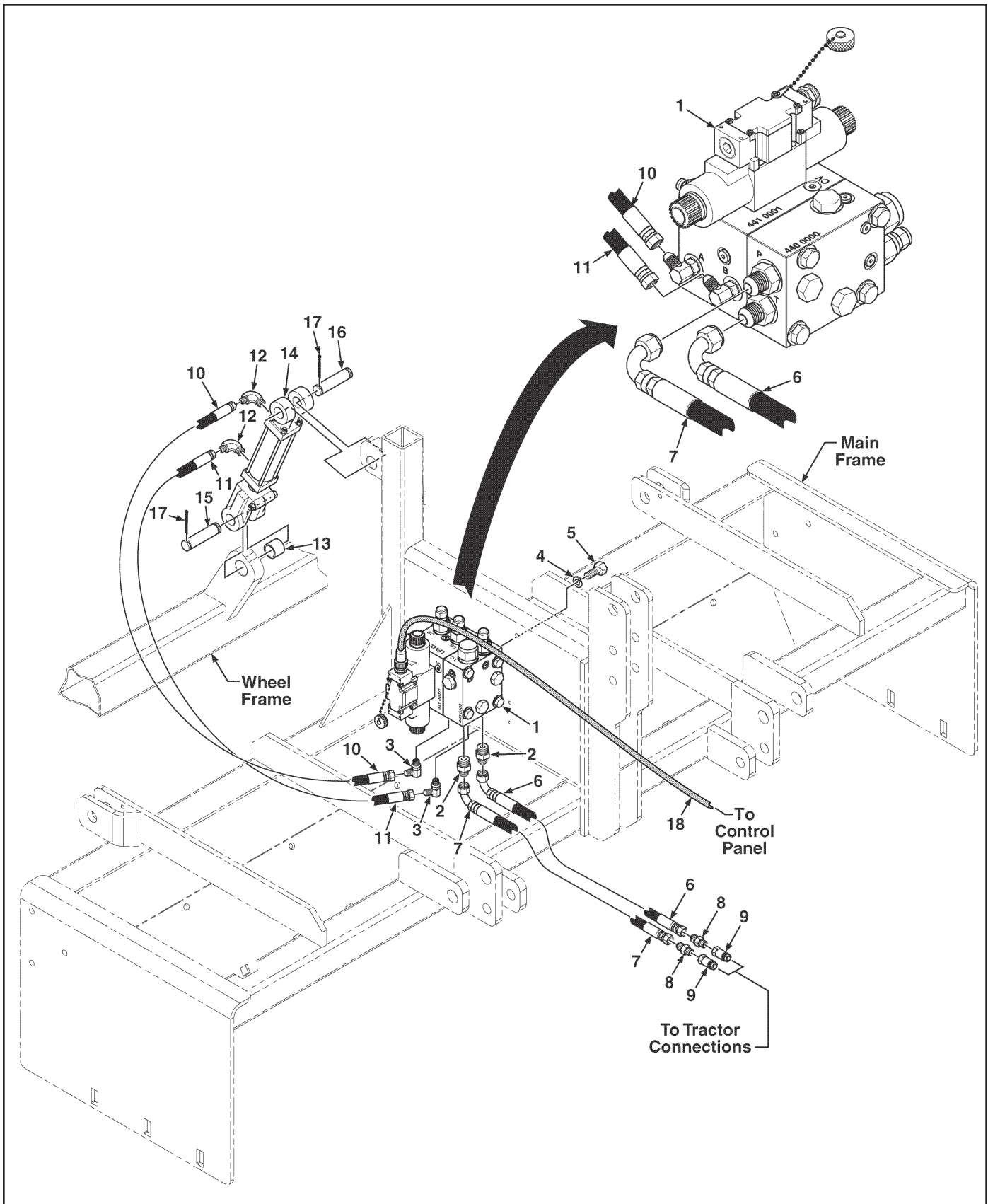
ATI Corporation  
 New Holland, PA 17557  
 Phone (717) 3564-8721 • FAX (717) 354-2162  
**1-800-342-0905**  
 www.level-best.com

## Figure 5. Hydraulics Cylinder Only

Item	Part No.	Qty	Description
1	000-166-537	1	Cylinder, Hydraulic, 3" Bore x 6" Stroke, See Breakdown Figure 17 Includes Items 2 thru 4
2	000-161-068	1	Pin, Cylinder, 1" Dia. x 3-3/8" Long
3	000-161-162	1	Pin, Cylinder, 1" Dia. x 4" Long
4	000-161-137	4	Pin, Cotter, 3/16" Dia. x 1-3/4" Long
5	000-176-174	1	Bushing, Wheel Frame, 1-1/4" OD x 1" ID x 1" Long
6	000-166-488	1	Elbow, 90°, 6MJ x 8MB, With Orifice
7	000-166-417	1	Elbow, 90°, 6MJ x 8MB
8	000-166-453	2	Hose, 1/2" Dia. x 90" Long x 6FJX x 8FJX, 3,000 PSI
9	000-166-168	2	Adapter, Straight, 8MJ x 8MP
10	000-166-210	2	Coupler, Quick, Ag, Male, 1/2"
			BH-Bulkhead MP-Male Pipe FP-Female Pipe FPX-Female Pipe Swivel MB-Male O-Ring Boss FB-Female O-Ring Boss MJ-Male JIC FJ-Female JIC FJX-Female JIC Swivel
<p><b>AR - As Required    NSS - Not Serviced Separately    ASN - After Serial No.    BSN - Before Serial No.    LP - Local Purchase</b></p>			

# Laser Grading Box PARTS LIST

**Figure 6. Hydraulics With Optional Valve Assembly  
ASN2095**



# Laser Grading Box PARTS LIST



**Figure 6. Hydraulics With Optional Valve Assembly  
ASN2095**

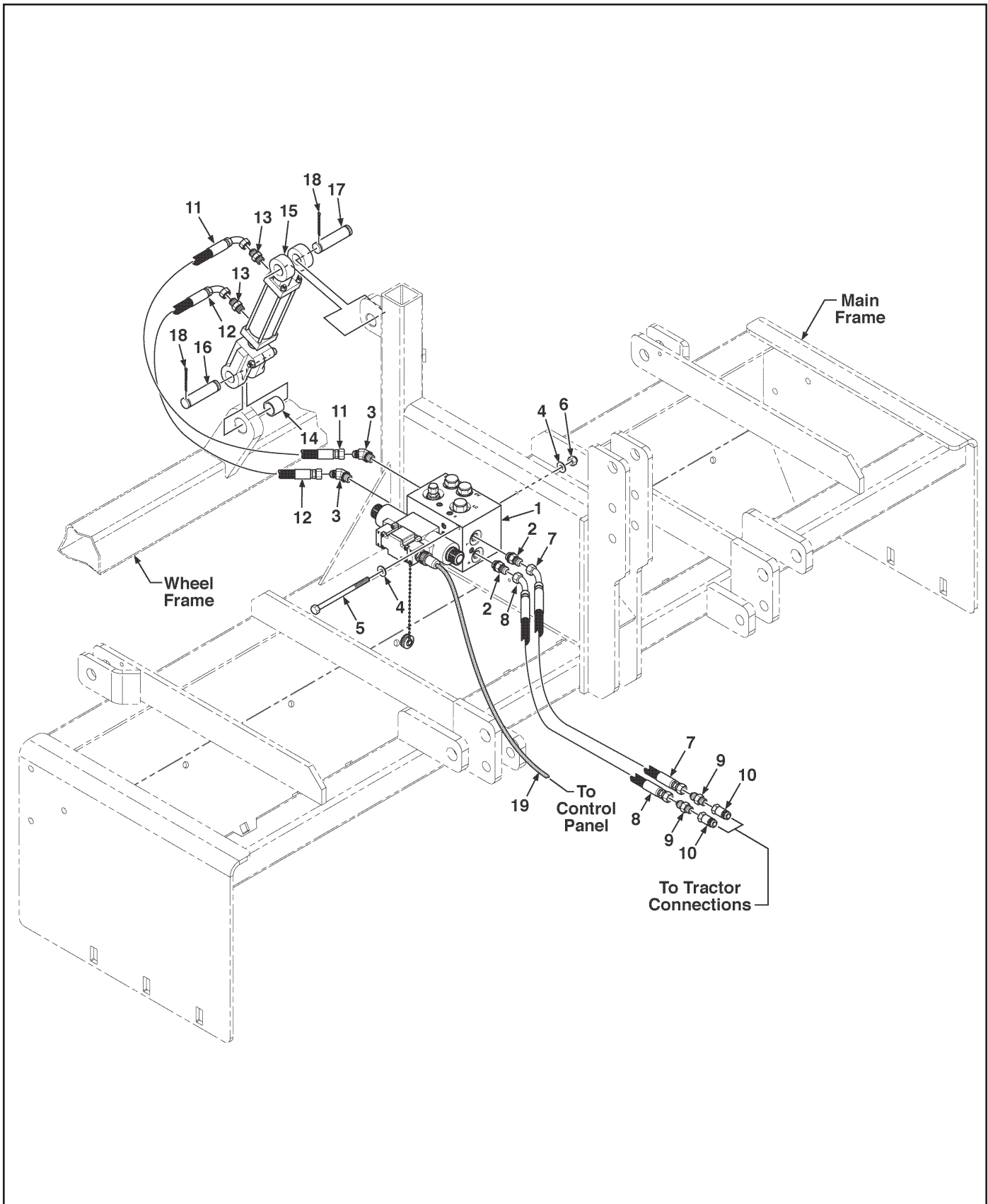
ATI Corporation  
New Holland, PA 17557  
Phone (717) 3564-8721 • FAX (717) 354-2162  
**1-800-342-0905**  
www.level-best.com

Item	Part No.	Qty	Description
1	000-166-497	1	Valve Assembly, Hydraulic Single, Includes Items 2 & 3, See Breakdown Figure 8
2	000-166-401	2	Adapter, Straight, 8MJ x 10MB
3	000-166-175	2	Elbow, 45°, 6MJ x 6MB
4	000-155-058	2	Washer, Lock, 1/2", SAE
5	000-150-074	2	Bolt, Hex Head, 1/2"-11UNC x 1-1/4" Long
6	000-166-186	1	Hose, 1/2" Dia. x 52" Long x 8FJX x 8FJX45, 3,000 PSI
7	000-166-186	1	Hose, 1/2" Dia. x 52" Long x 8FJX x 8FJX45, 3,000 PSI
8	000-166-168	2	Adapter, Straight, 8MJ x 8MP
9	000-166-210	2	Coupler, Quick Disconnect, Ag, Male, 1/2"
10	000-166-418	1	Hose, 3/8" Dia. x 28" Long x 6FJX x 6FJX90, 3,000 PSI
11	000-166-418	1	Hose, 3/8" Dia. x 28" Long x 6FJX x 6FJX90, 3,000 PSI
12	000-166-417	2	Elbow, 90°, 6MJ x 8MB
13	000-176-174	1	Bushing, Wheel Frame, 1-1/4" OD x 1" ID x 1" Long
14	000-166-537	1	Cylinder, Hydraulic, 3" Bore x 6" Stroke, See Breakdown Figure 17 Includes Items 15 thru 17
15	000-161-068	1	Pin, Cylinder, 1" Dia. x 3-3/8" Long
16	000-161-162	1	Pin, Cylinder, 1" Dia. x 4" Long
17	000-161-137	4	Pin, Cotter, 3/16" Dia. x 1-3/4" Long
18	000-200-151	1	Cable, Solenoid, 90° 3-Wire, Quick Disconnect, 12' Long, Apache CB26/Spectra CB25
	000-200-209	1	Cable, Solenoid, Quick Disconnect, 12' Long, Leica PowerBlade
	000-200-144	1	Cable, Solenoid, Quick Disconnect, 12' Long, MEI/AGL
	000-200-171	1	Cable, Power/Remote/Solenoid, Topcon System Five & LS-B4
			BH-Bulkhead MP-Male Pipe FP-Female Pipe FPX-Female Pipe Swivel MB-Male O-Ring Boss FB-Female O-Ring Boss MJ-Male JIC FJ-Female JIC FJX-Female JIC Swivel

AR - As Required    NSS - Not Serviced Separately    ASN - After Serial No.    BSN - Before Serial No.    LP - Local Purchase

# Laser Grading Box PARTS LIST

Figure 7. Hydraulics With Optional Valve Assembly  
BSN2096



# Laser Grading Box PARTS LIST



**Figure 7. Hydraulics With Optional Valve Assembly  
BSN2096**

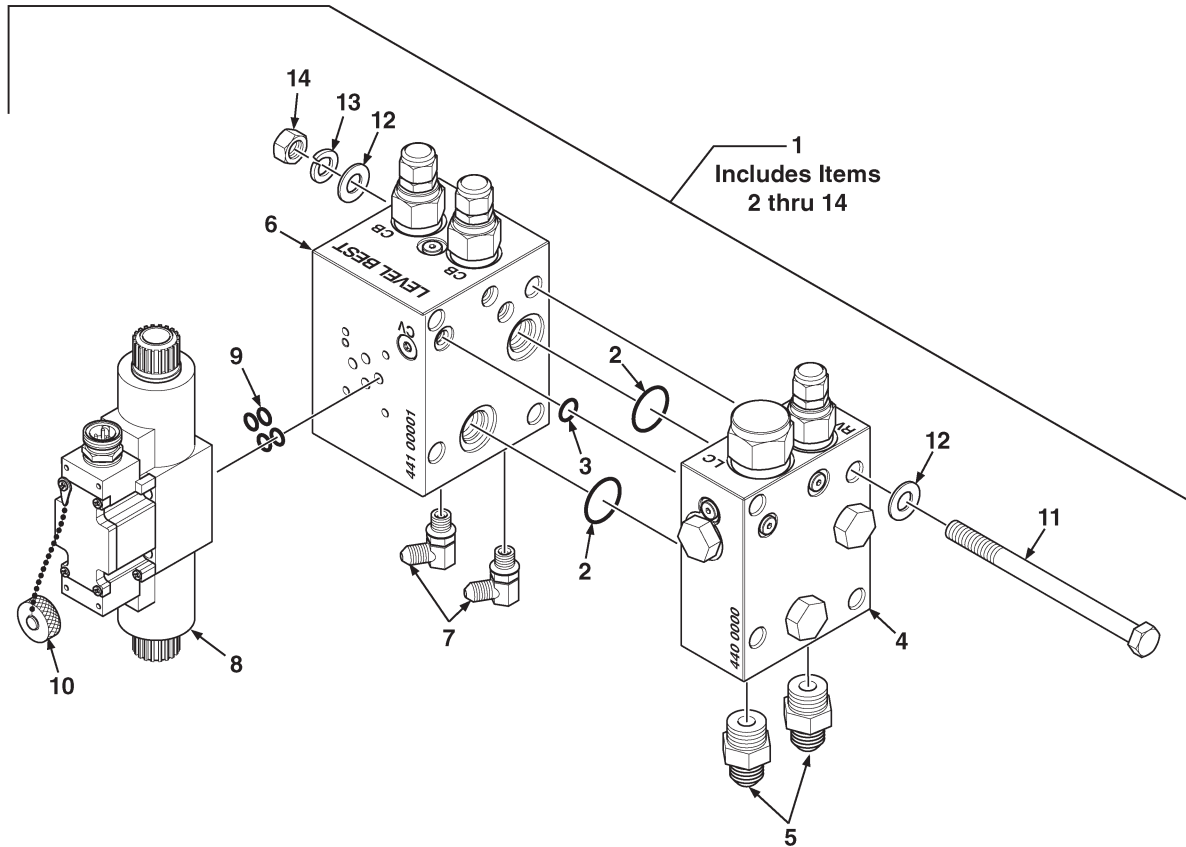
ATI Corporation  
New Holland, PA 17557  
Phone (717) 3564-8721 • FAX (717) 354-2162  
**1-800-342-0905**  
www.level-best.com

Item	Part No.	Qty	Description
1	000-166-408	1	Valve Assembly, Hydraulic Single, Includes Items 2 & 3, See Breakdown Figure 9
2	000-166-170	2	Adapter, Straight, 8MJ x 8MB
3	000-166-175	2	Elbow, 45°, 6MJ x 6MB
4	000-155-030	4	Washer, Flat, 5/16", SAE
5	000-150-112	4	Bolt, Hex Head, 5/16"-18UNC x 5" Long
6	000-158-066	4	Nut, Hex, Nylon Lock, 5/16"-18UNC
7	000-166-186	1	Hose, 1/2" Dia. x 52" Long x 8FJX x 8FJX45, 3,000 PSI
8	000-166-186	1	Hose, 1/2" Dia. x 52" Long x 8FJX x 8FJX45, 3,000 PSI
9	000-166-168	2	Adapter, Straight, 8MJ x 8MP
10	000-166-210	2	Coupler, Quick Disconnect, Ag, Male, 1/2"
11	000-166-418	1	Hose, 3/8" Dia. x 28" Long x 6FJX x 6FJX90, 3,000 PSI
12	000-166-418	1	Hose, 3/8" Dia. x 28" Long x 6FJX x 6FJX90, 3,000 PSI
13	000-166-417	2	Elbow, 90°, 6MJ x 8MB
14	000-176-174	1	Bushing, Wheel Frame, 1-1/4" OD x 1" ID x 1" Long
15	000-166-537	1	Cylinder, Hydraulic, 3" Bore x 6" Stroke, See Breakdown Figure 17 Includes Items 16 thru 18
16	000-161-068	1	Pin, Cylinder, 1" Dia. x 3-3/8" Long
17	000-161-162	1	Pin, Cylinder, 1" Dia. x 4" Long
18	000-166-137	4	Pin, Cotter, 3/16" Dia. x 1-3/4" Long
19	000-200-151	1	Cable, Solenoid, 90° 3-Wire, Quick Disconnect, 12' Long, Apache CB26/Spectra CB25
	000-200-209	1	Cable, Solenoid, Quick Disconnect, 12' Long, Leica PowerBlade
	000-200-144	1	Cable, Solenoid, Quick Disconnect, 12' Long, MEI/AGL
	000-200-171	1	Cable, Power/Remote/Solenoid, Topcon System Five & LS-B4
			BH-Bulkhead MP-Male Pipe FP-Female Pipe FPX-Female Pipe Swivel MB-Male O-Ring Boss FB-Female O-Ring Boss MJ-Male JIC FJ-Female JIC FJX-Female JIC Swivel

AR - As Required    NSS - Not Serviced Separately    ASN - After Serial No.    BSN - Before Serial No.    LP - Local Purchase

# Laser Grading Box PARTS LIST

Figure 8. Hydraulic Valve Assembly ASN2095





# Laser Grading Box PARTS LIST



**Figure 8. Hydraulic Valve Assembly ASN2095**

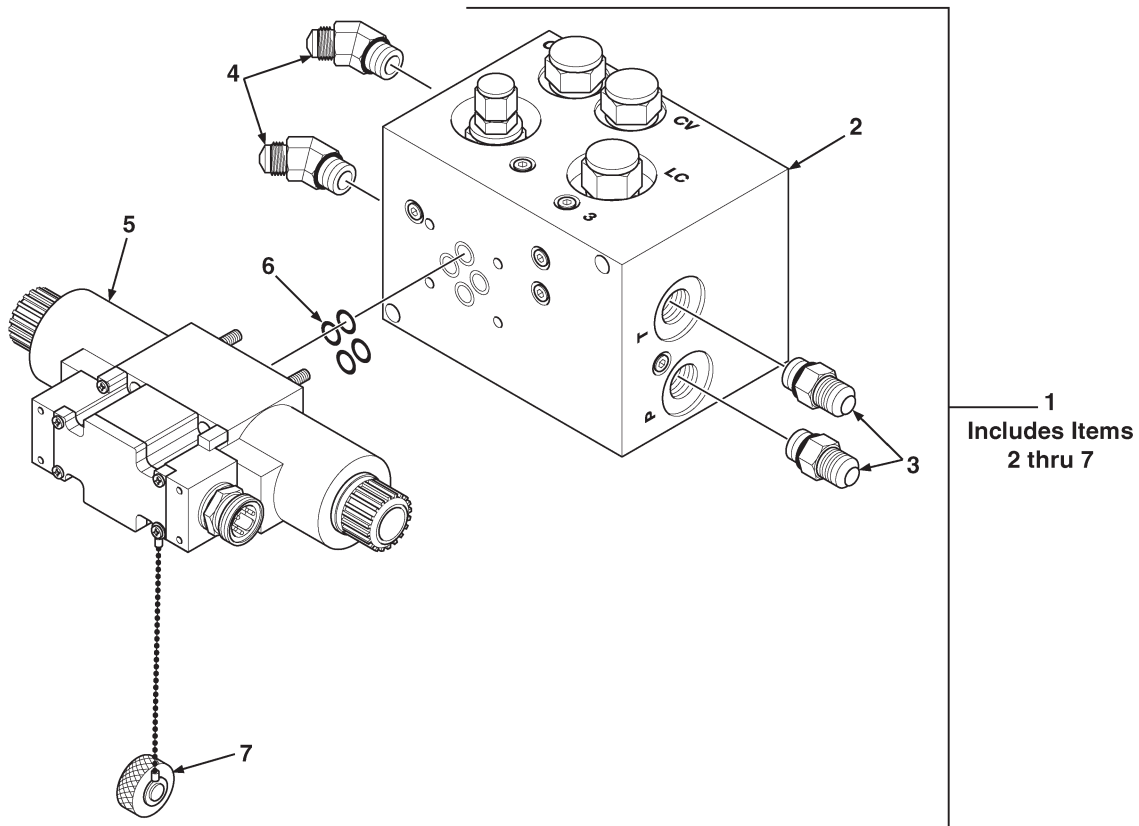
ATI Corporation  
 New Holland, PA 17557  
 Phone (717) 3564-8721 • FAX (717) 354-2162  
**1-800-342-0905**  
[www.level-best.com](http://www.level-best.com)

Item	Part No.	Qty	Description
1	000-166-497	1	Valve Assembly, Hydraulic Single, Base, Includes Items 2 thru 14
2	000-166-516	2	O-Ring, Dash 120
3	000-166-515	1	O-Ring, Dash 112
4	000-166-499	1	Manifold Block, Primary, Includes Item 5
5	000-166-170	2	Adapter, Straight, 8MJ x 8MB
6	000-166-500	1	Manifold Block, Secondary, Includes Item 7 thru 10
7	000-166-225	2	Elbow, 90°, 6MJ x 6MB
8	000-166-409	1	Valve, Directional, Includes Item 9 & 10
9	000-166-514	4	O-Ring, Buna-N, 012, 90 Duro, 1/2" OD x 3/8" ID
10	001-001-060	1	Cap, Quick Disconnect, with Chain
11	000-150-171	4	Bolt, Hex Head, 7/16"-20UNF x 6-1/2" Long
12	000-155-043	8	Washer, Flat, 7/16" SAE
13	000-155-044	4	Washer, Lock, 7/16"
14	000-158-101	8	Nut, Hex, 7/16"-20UNF

AR - As Required    NSS - Not Serviced Separately    ASN - After Serial No.    BSN - Before Serial No.    LP - Local Purchase

# Laser Grading Box PARTS LIST

## Figure 9. Hydraulic Valve Assembly BSN2096



# Laser Grading Box PARTS LIST



## Figure 9. Hydraulic Valve Assembly BSN2096

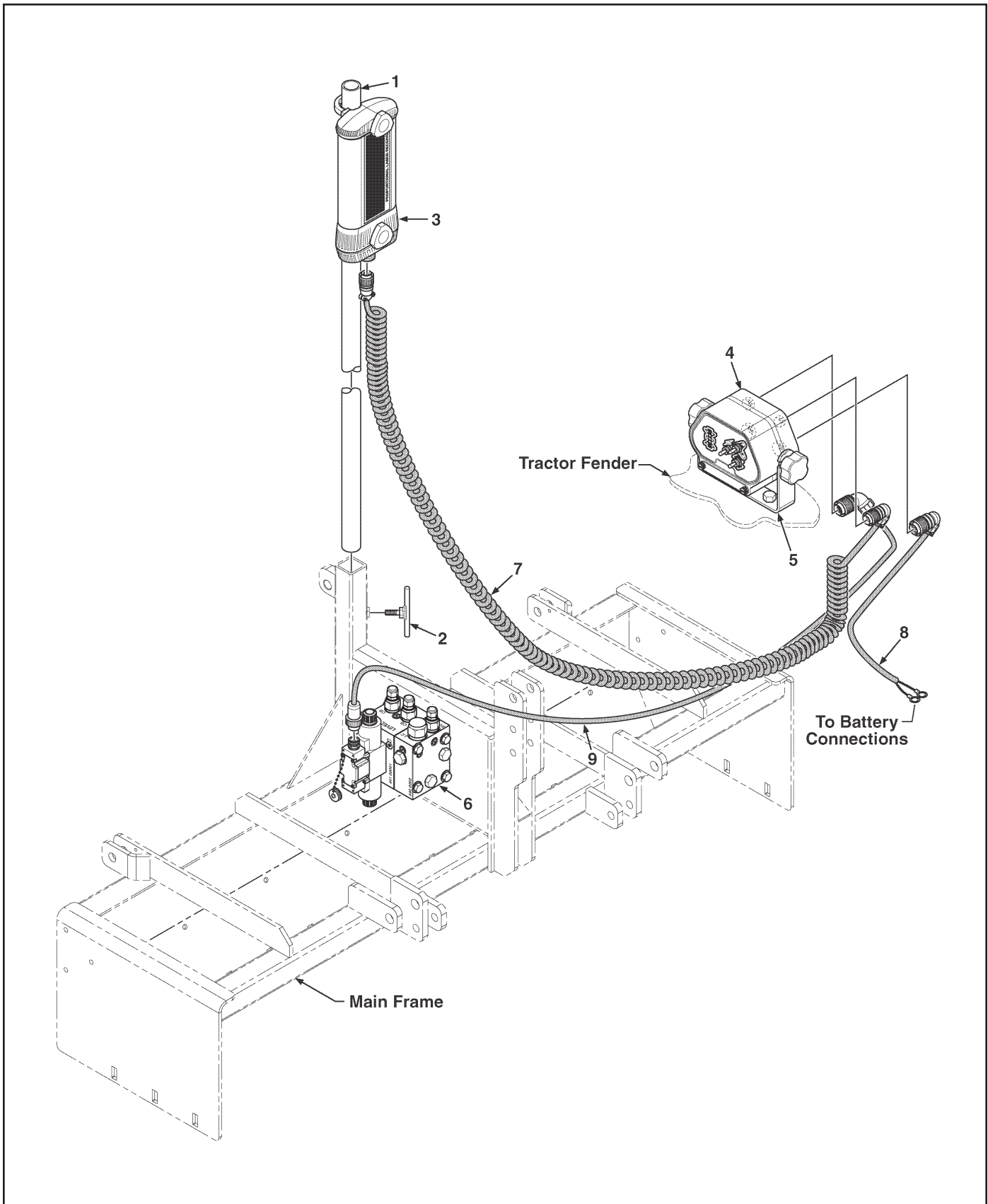
ATI Corporation  
 New Holland, PA 17557  
 Phone (717) 3564-8721 • FAX (717) 354-2162  
**1-800-342-0905**  
[www.level-best.com](http://www.level-best.com)

Item	Part No.	Qty	Description
1	000-166-408	1	Valve Assembly, Hydraulic Single, Includes Items 2 thru 7
2	NSS	1	Manifold Block, Single
3	000-166-170	2	Adapter, Straight, 8MJ x 8MB
4	000-166-175	2	Elbow, 45°, 6MJ x 6MB
5	000-166-409	1	Valve, Directional, Includes Item 6 & 7
6	000-166-514	4	O-Ring, Buna-N, 012, 90 Duro, 1/2" OD x 3/8" ID
7	001-001-060	1	Cap, Quick Disconnect, with Chain

AR - As Required    NSS - Not Serviced Separately    ASN - After Serial No.    BSN - Before Serial No.    LP - Local Purchase

# Laser Grading Box PARTS LIST

## Figure 10. Laser Controls and Related Parts - Apache/Spectra ASN2095



# Laser Grading Box PARTS LIST



## Figure 10. Laser Controls and Related Parts - Apache/Spectra ASN2095

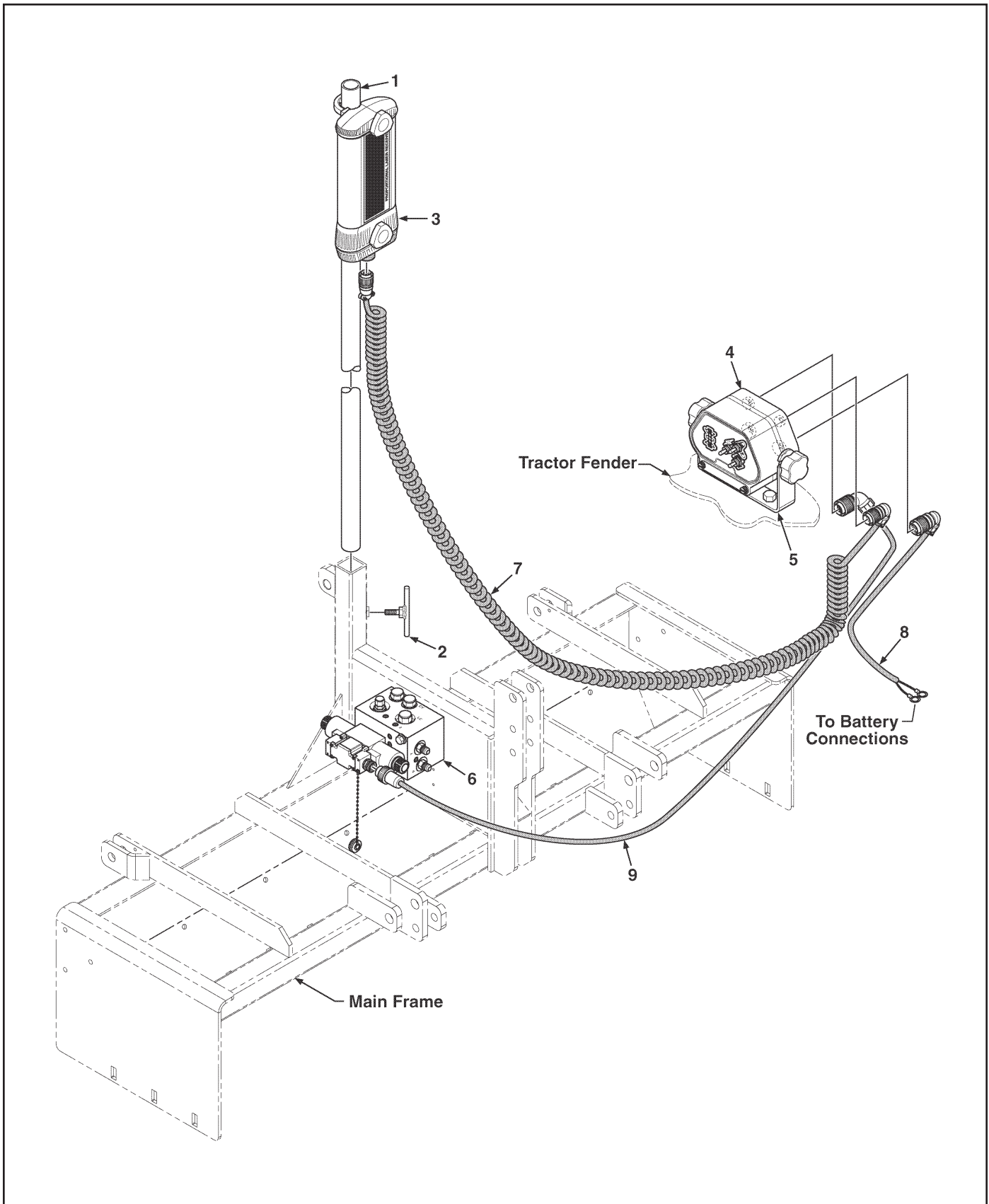
ATI Corporation  
New Holland, PA 17557  
Phone (717) 3564-8721 • FAX (717) 354-2162  
1-800-342-0905  
www.level-best.com

Item	Part No.	Qty	Description
1	001-001-052	1	Pole, Mast
2	001-001-053	1	Handle, Tee
3	000-200-093	1	Receiver, Apache Bullseye 5MC
	000-200-215	1	Receiver, Spectra MC50
4	000-200-092	1	Panel, Control, Apache CB26, See Breakdown Figure 12
	000-200-211	1	Panel, Control, Spectra CB25, See Breakdown Figure 12
5	001-001-075	1	Bracket, Control Panel
6	000-166-497	1	Valve Assembly, Hydraulic Single, See Breakdown Figure 8
7	000-200-099	1	Cable, Receiver, Coiled, 15' Long
8	000-200-097	1	Cable, Power, 2-Wire, 20' Long
9	000-200-151	1	Cable, Solenoid, 90° 3-Wire, Quick Disconnect, 12' Long, Apache CB26/Spectra CB25

AR - As Required    NSS - Not Serviced Separately    ASN - After Serial No.    BSN - Before Serial No.    LP - Local Purchase

# Laser Grading Box PARTS LIST

**Figure 11. Laser Controls and Related Parts  
- Apache/Spectra BSN2096**



# Laser Grading Box PARTS LIST



## Figure 11. Laser Controls and Related Parts - Apache/Spectra BSN2096

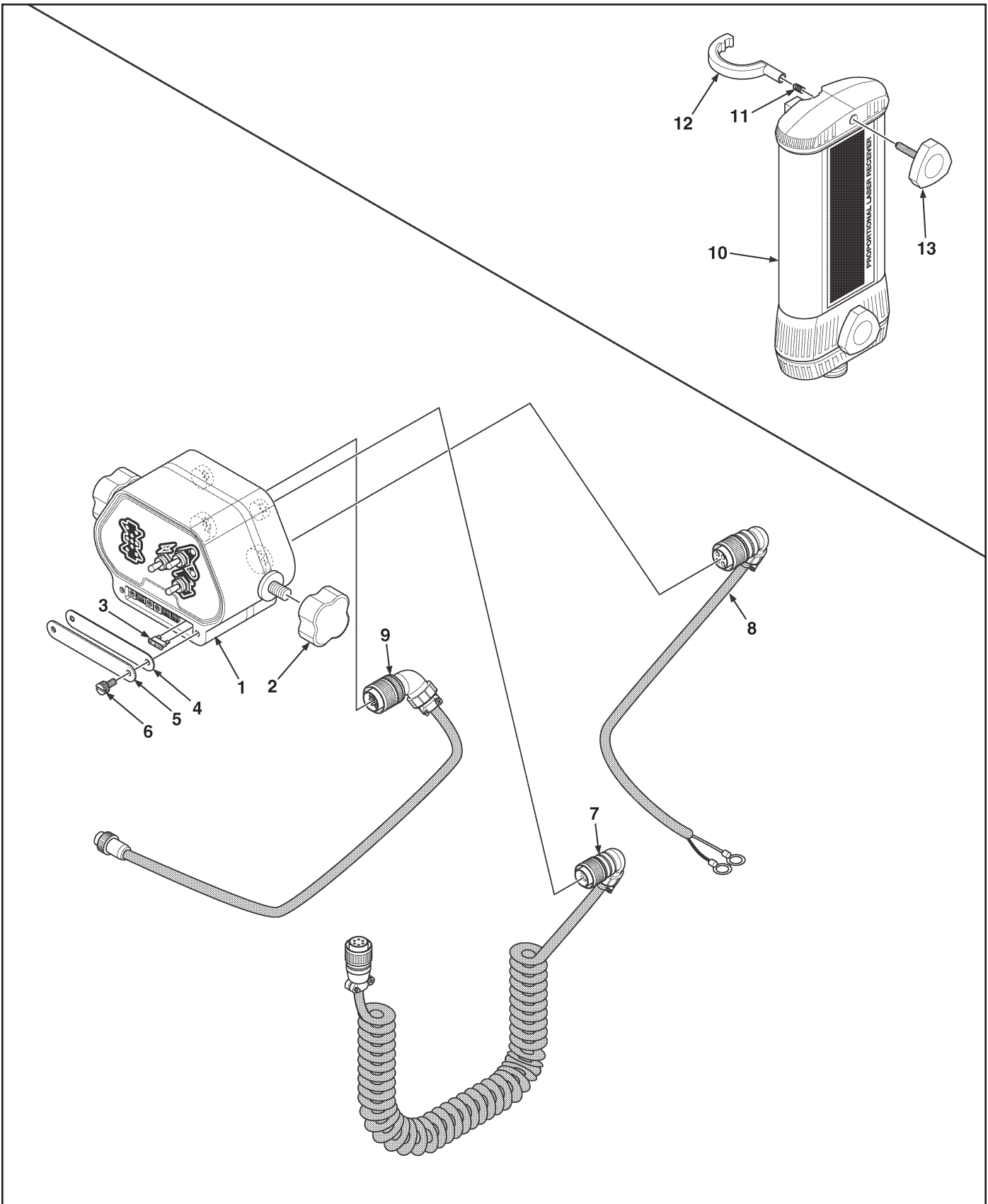
ATI Corporation  
New Holland, PA 17557  
Phone (717) 3564-8721 • FAX (717) 354-2162  
1-800-342-0905  
www.level-best.com

Item	Part No.	Qty	Description
1	001-001-052	1	Pole, Mast
2	001-001-053	1	Handle, Tee
3	000-200-093	1	Receiver, Apache Bullseye 5MC
	000-200-215	1	Receiver, Spectra MC50
4	000-200-092	1	Panel, Control, Apache CB26, See Breakdown Figure 12
	000-200-211	1	Panel, Control, Spectra CB25, See Breakdown Figure 12
5	001-001-075	1	Bracket, Control Panel
6	000-166-408	1	Valve Assembly, Hydraulic Single, See Breakdown Figure 9
7	000-200-099	1	Cable, Receiver, Coiled, 15' Long
8	000-200-097	1	Cable, Power, 2-Wire, 20' Long
9	000-200-151	1	Cable, Solenoid, 90° 3-Wire, Quick Disconnect, 12' Long, Apache CB26/Spectra CB25

AR - As Required    NSS - Not Serviced Separately    ASN - After Serial No.    BSN - Before Serial No.    LP - Local Purchase

# Laser Grading Box PARTS LIST

Figure 12. Control Panel, Receiver, Cables - Apache/Spectra





# Laser Grading Box PARTS LIST



ATI Corporation  
 New Holland, PA 17557  
 Phone (717) 3564-8721 • FAX (717) 354-2162  
**1-800-342-0905**  
[www.level-best.com](http://www.level-best.com)

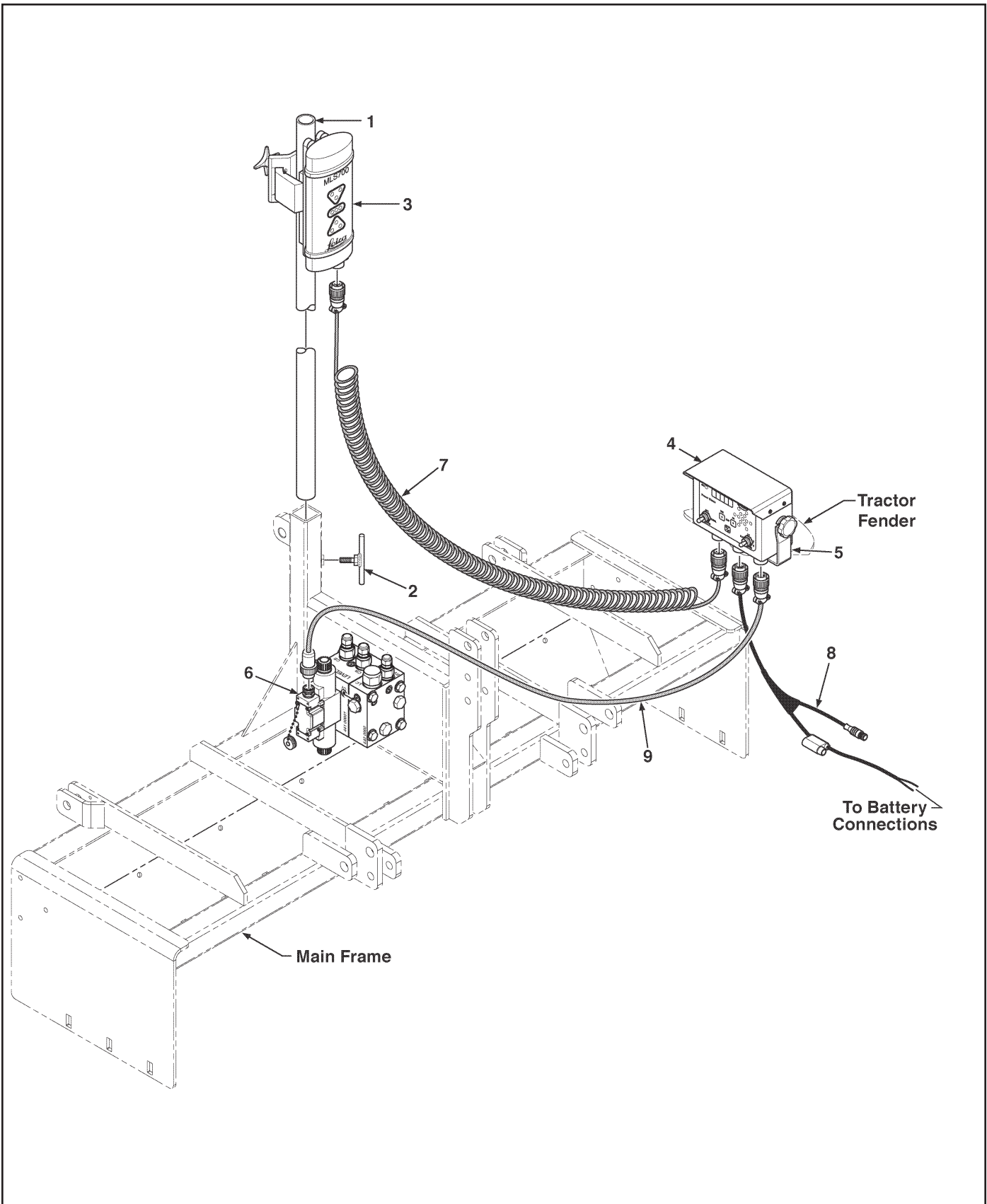
**Figure 12. Control Panel, Receiver, Cables - Apache/Spectra**

Item	Part No.	Qty	Description
1	000-200-092	1	Panel, Control, Apache CB26, Includes Items 2 thru 6
	000-200-211	1	Panel, Control, Spectra CB25, Includes Items 2 thru 6
2	000-200-112	2	Knob
3	LP	1	Fuse, 25 Amp
4	000-200-115	1	Gasket, Front Cover Plate
5	000-200-114	1	Plate, Front Cover
6	000-200-113	2	Screw, Thumb
7	000-200-099	1	Cable, Receiver, Coiled, 15' Long
8	000-200-097	1	Cable, Power, 2-Wire, 20' Long
9	000-200-151	1	Cable, Solenoid, 90° 3-Wire, Quick Disconnect, 12' Long, Apache CB26/Spectra CB25
10	000-200-093	1	Receiver, Apache Bullseye 5MC, Includes Items 11 thru 13
	000-200-215	1	Receiver, Spectra MC50, Includes Items 11 thru 13
11	000-161-094	2	Spring, Clamp, Compression
12	000-200-108	2	Clamp, Universal, 2" Dia.
13	000-200-107	2	Knob, Clamp

AR - As Required    NSS - Not Serviced Separately    ASN - After Serial No.    BSN - Before Serial No.    LP - Local Purchase

# Laser Grading Box PARTS LIST

**Figure 13. Laser Controls and Related Parts  
- Leica MCP700**



# Laser Grading Box PARTS LIST



**Figure 13. Laser Controls and Related Parts  
- Leica MCP700**

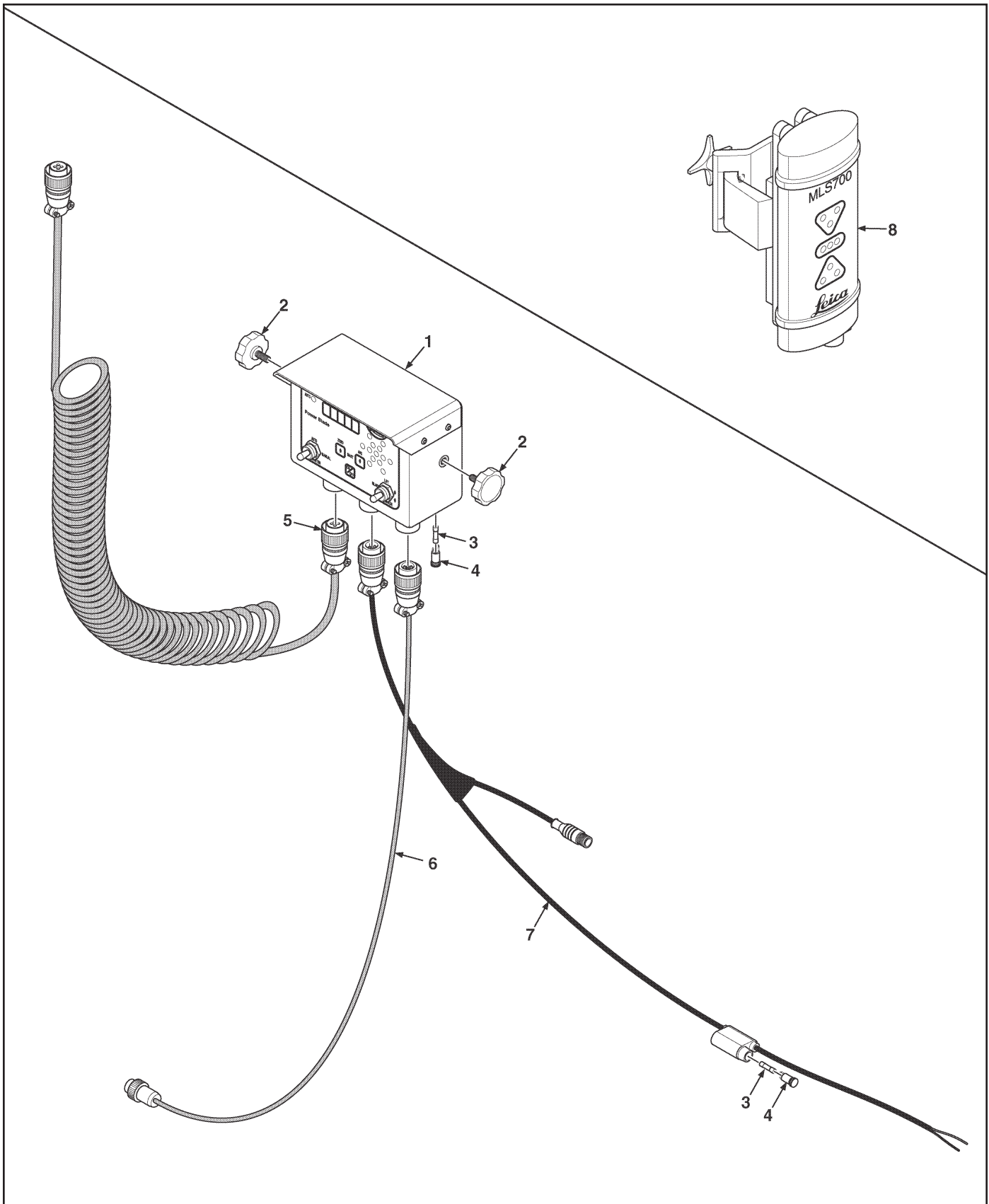
ATI Corporation  
New Holland, PA 17557  
Phone (717) 3564-8721 • FAX (717) 354-2162  
**1-800-342-0905**  
www.level-best.com

Item	Part No.	Qty	Description
1	001-001-052	1	Pole, Mast
2	001-001-053	1	Handle, Tee
3	000-200-200	1	Receiver, Laser, 360°
4	000-200-199	1	Panel, Control, See Breakdown Figure 14
5	001-001-114	1	Bracket, Mounting, Control Panel
6	000-166-497	1	Valve Assembly, Hydraulic Single, See Breakdown, Figure 8
7	000-200-203	1	Cable, Receiver, Coiled, 3-Wire, 9' Long
8	000-200-201	1	Cable, Power, 2-Wire, 26' Long
9	000-200-209	1	Cable, Solenoid, 5-Wire, Quick Disconnect, 12' Long

AR - As Required    NSS - Not Serviced Separately    ASN - After Serial No.    BSN - Before Serial No.    LP - Local Purchase

# Laser Grading Box PARTS LIST

Figure 14. Control Panel, Receiver, Cables - Leica MCP700



# Laser Grading Box PARTS LIST



ATI Corporation  
 New Holland, PA 17557  
 Phone (717) 3564-8721 • FAX (717) 354-2162  
**1-800-342-0905**  
[www.level-best.com](http://www.level-best.com)

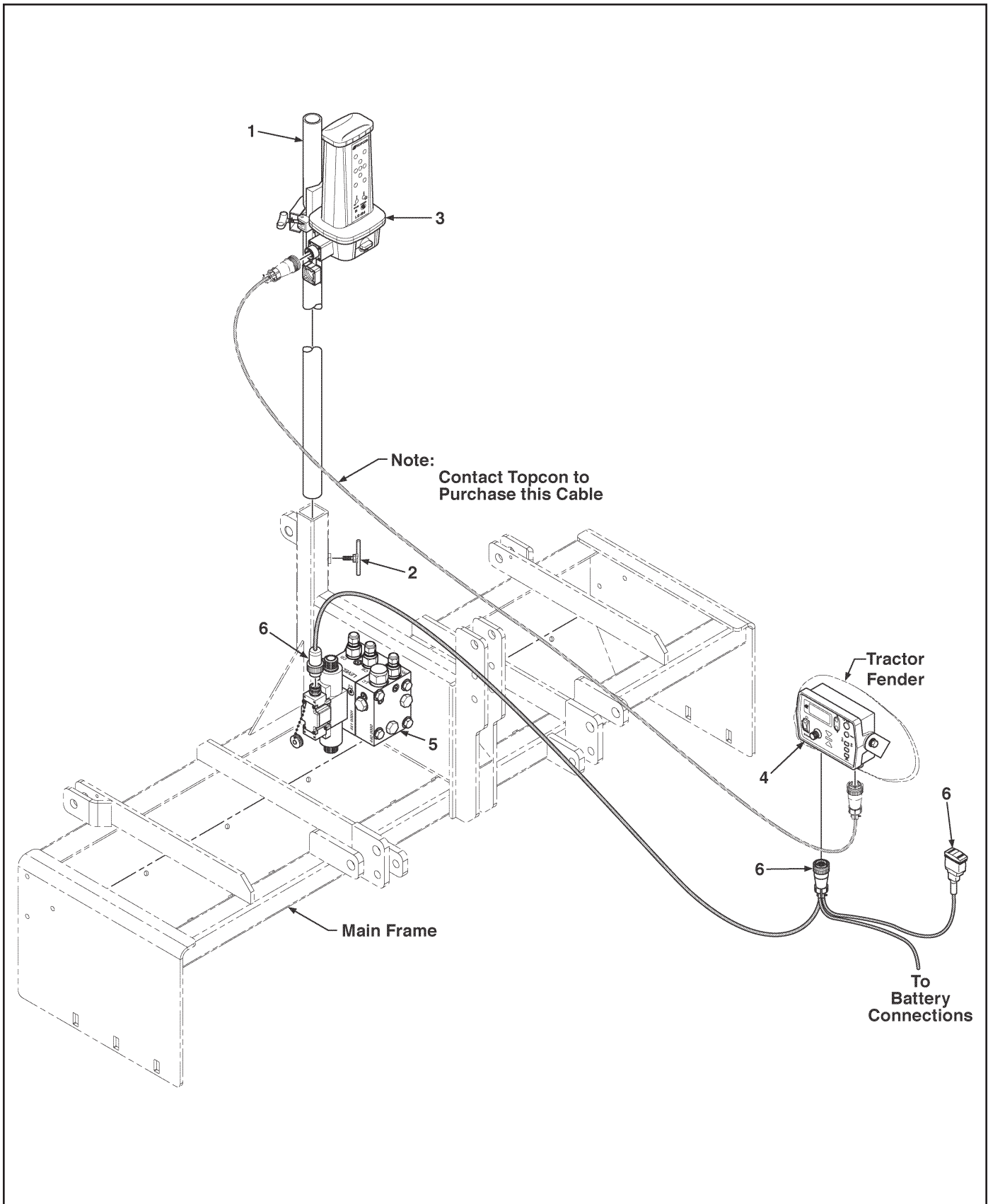
**Figure 14. Control Panel, Receiver, Cables - Leica MCP700**

Item	Part No.	Qty	Description
1	000-200-199	1	Panel, Control, Includes Items 2 thru 4
2	000-200-276	2	Knob, Mounting Bracket, Control Panel
3	000-200-277	2	Fuse, 10A, Control Panel
4	000-200-278	2	Holder, Fuse, Control
5	000-200-203	1	Cable, Receiver, Coiled, 3-Wire, 9' Long
6	000-200-209	1	Cable, Solenoid, 5-Wire, Quick Disconnect, 12' Long
7	000-200-201	1	Cable, Power, 2-Wire, 26' Long
8	000-200-200	1	Receiver, Laser 360°

AR - As Required    NSS - Not Serviced Separately    ASN - After Serial No.    BSN - Before Serial No.    LP - Local Purchase

# Laser Grading Box PARTS LIST

**Figure 15. Laser Controls and Related Parts - Topcon  
ASN2095**



# Laser Grading Box PARTS LIST



**Figure 15. Laser Controls and Related Parts - Topcon  
ASN2095**

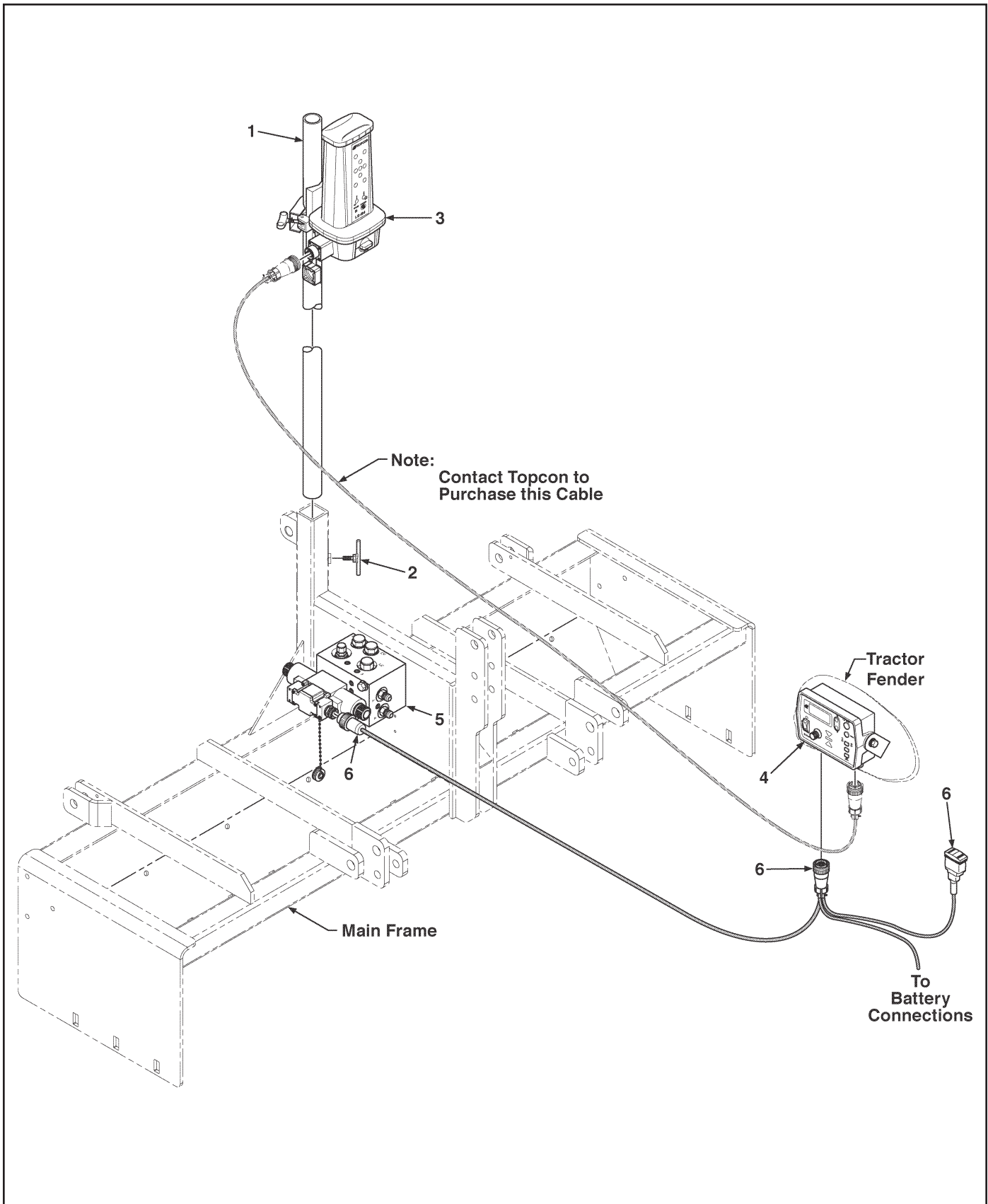
ATI Corporation  
New Holland, PA 17557  
Phone (717) 3564-8721 • FAX (717) 354-2162  
**1-800-342-0905**  
[www.level-best.com](http://www.level-best.com)

Item	Part No.	Qty	Description
1	001-001-052	1	Pole, Mast
2	001-001-053	1	Handle, Tee
3	000-200-070	1	Receiver, Laser, 360°, LS-B4
4	000-200-069	1	Panel, Control, System Five
5	000-166-497	1	Valve Assembly, Hydraulic Single, See Breakdown Figure 8
6	000-200-171	1	Cable, Power/Remote/Solenoid, System Five & LS-B4, Topcon

AR - As Required    NSS - Not Serviced Separately    ASN - After Serial No.    BSN - Before Serial No.    LP - Local Purchase

# Laser Grading Box PARTS LIST

**Figure 16. Laser Controls and Related Parts - Topcon  
BSN2096**





# Laser Grading Box PARTS LIST



**Figure 16. Laser Controls and Related Parts - Topcon  
BSN2096**

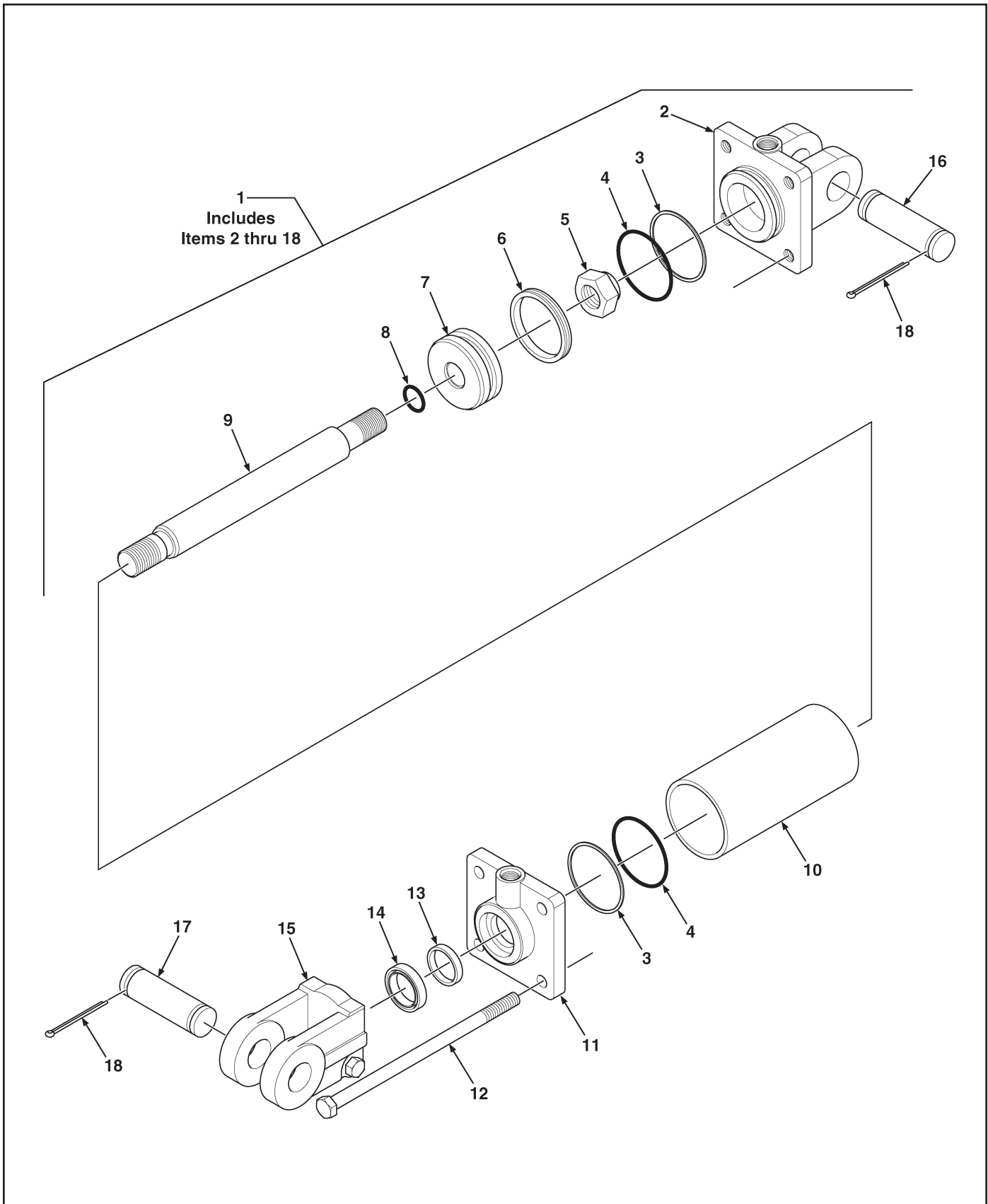
ATI Corporation  
New Holland, PA 17557  
Phone (717) 3564-8721 • FAX (717) 354-2162  
**1-800-342-0905**  
[www.level-best.com](http://www.level-best.com)

Item	Part No.	Qty	Description
1	001-001-052	1	Pole, Mast
2	001-001-053	1	Handle, Tee
3	000-200-070	1	Receiver, Laser, 360°, LS-B4
4	000-200-069	1	Panel, Control, System Five
5	000-166-408	1	Valve Assembly, Hydraulic Single, See Breakdown Figure 9
6	000-200-171	1	Cable, Power/Remote/Solenoid, System Five & LS-B4, Topcon

AR - As Required    NSS - Not Serviced Separately    ASN - After Serial No.    BSN - Before Serial No.    LP - Local Purchase

# Laser Grading Box PARTS LIST

**Figure 17. Cylinder Assembly, 3" Bore x 6" Stroke  
ASN2100**



# Laser Grading Box PARTS LIST



## Figure 17. Cylinder Assembly, 3" Bore x 6" Stroke ASN2100

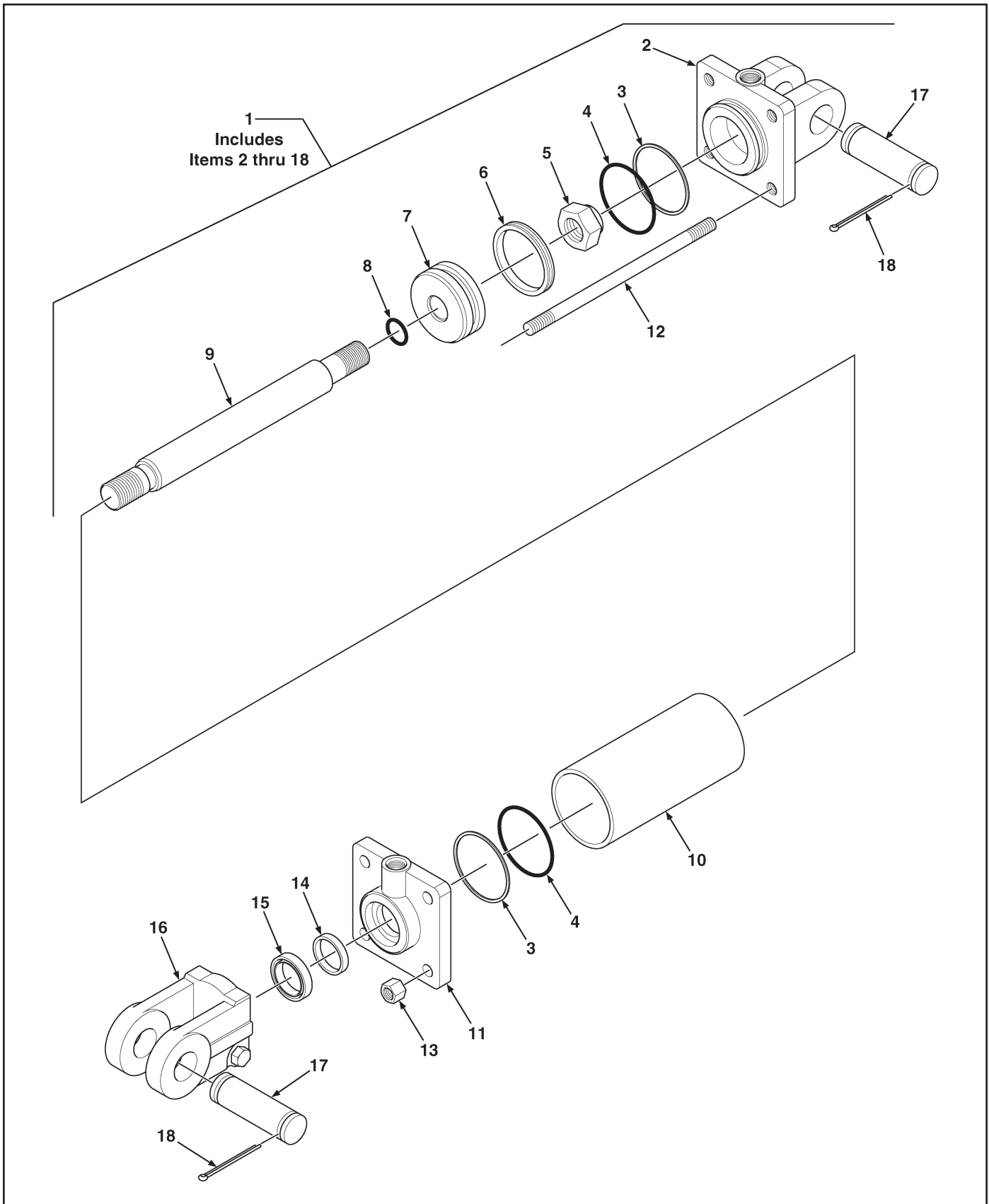
ATI Corporation  
New Holland, PA 17557  
Phone (717) 3564-8721 • FAX (717) 354-2162  
**1-800-342-0905**  
www.level-best.com

Item	Part No.	Qty	Description
1	000-166-537	1	Cylinder Assembly, 3" Bore x 6" Stroke, Includes Items 2 thru 18
2	000-166-322	1	Clevis Assembly, Butt
3	000-166-323	2	Ring, Back Up
4	NSS	2	O-Ring
5	000-158-195	1	Nut, Lock
6	000-166-325	1	Seal, Crown
7	000-166-326	1	Piston
8	NSS	1	O-Ring
9	000-166-656	1	Rod Assembly
10	000-166-329	1	Tube
11	000-166-330	1	Gland
12	000-166-331	4	Tie Rod Assembly
13	000-166-332	1	Seal, U-Cup
14	000-166-333	1	Seal, Wiper
15	000-166-658	1	Clevis Assembly
16	000-161-068	1	Pin, Cylinder, 1" Dia. x 3-3/8" Long
17	000-161-162	1	Pin, Cylinder, 1" Dia. x 4" Long
18	000-161-137	4	Pin, Cotter, 3/16" Dia. x 1-3/4" Long
	000-166-659	AR	Kit, Cylinder Repair Includes: Items 3, 4, 6, 8, 13 & 14

AR - As Required    NSS - Not Serviced Separately    ASN - After Serial No.    BSN - Before Serial No.    LP - Local Purchase

# Laser Grading Box PARTS LIST

**Figure 18. Cylinder Assembly, 3" Bore x 6" Stroke  
BSN2099**



# Laser Grading Box PARTS LIST



## Figure 18. Cylinder Assembly, 3" Bore x 6" Stroke BSN2099

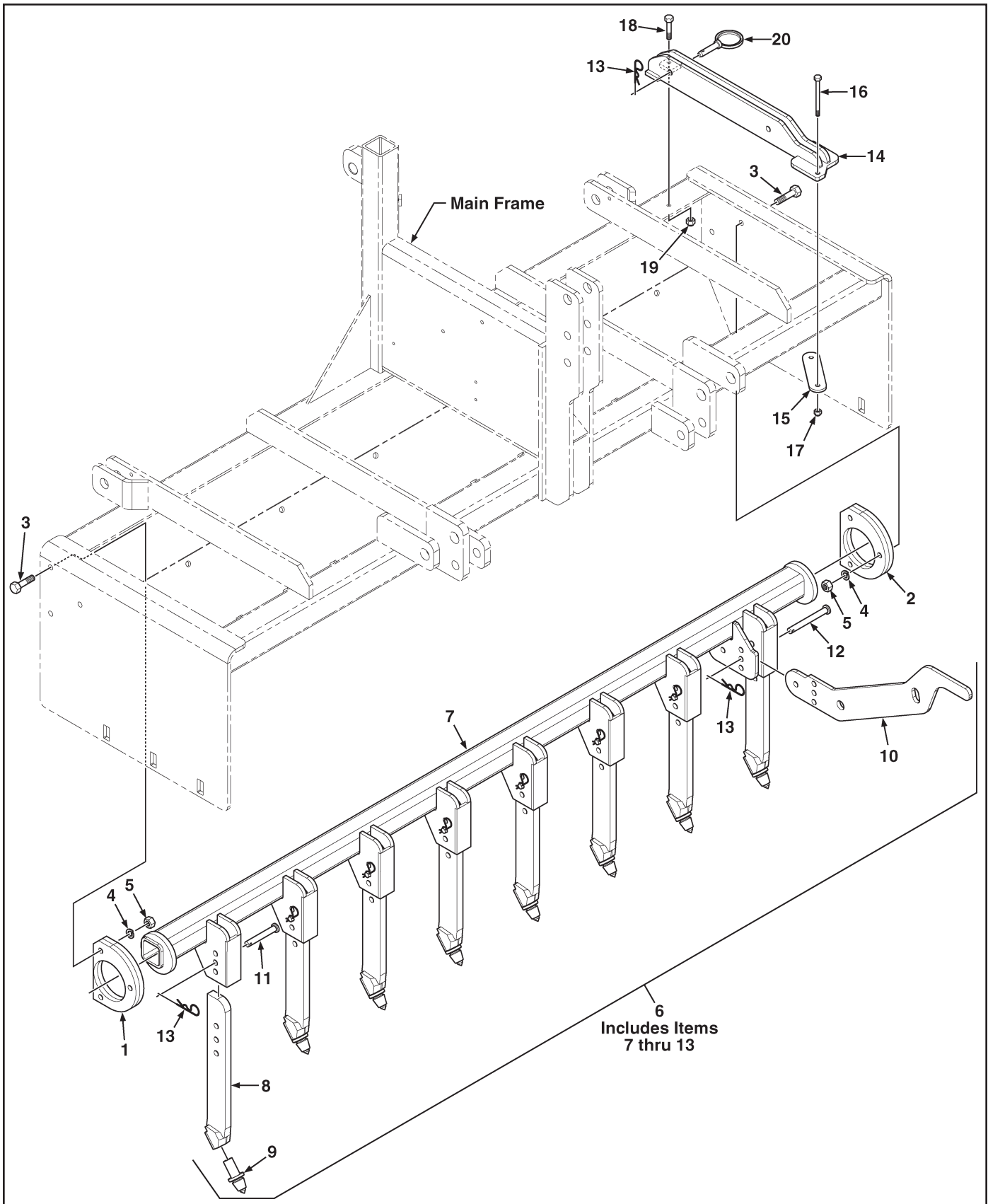
ATI Corporation  
New Holland, PA 17557  
Phone (717) 3564-8721 • FAX (717) 354-2162  
1-800-342-0905  
www.level-best.com

Item	Part No.	Qty	Description
1	000-166-181	1	Cylinder Assembly, 3" Bore x 6" Stroke, Includes Items 2 thru 18
2	000-166-322	1	Clevis Assembly, Butt
3	000-166-323	2	Ring, Back Up
4	NSS	2	O-Ring
5	000-158-195	1	Nut, Lock
6	000-166-325	1	Seal, Crown
7	000-166-326	1	Piston
8	NSS	1	O-Ring
9	000-166-328	1	Rod Assembly
10	000-166-329	1	Tube
11	000-166-330	1	Gland
12	000-166-331	4	Tie Rod Assembly, Includes Item 13
13	NSS	4	Nut, Hex, Tie Rod
14	000-166-332	1	Seal, U-Cup
15	000-166-333	1	Seal, Wiper
16	000-166-334	1	Clevis Assembly
17	000-161-068	2	Pin, Cylinder, 1" Dia. x 3-3/8" Long
18	000-161-137	4	Pin, Cotter, 3/16" Dia. x 1-3/4" Long
	000-166-207	AR	Kit, Cylinder Repair Includes: Items 3, 4, 6, 8, 14 & 15

AR - As Required    NSS - Not Serviced Separately    ASN - After Serial No.    BSN - Before Serial No.    LP - Local Purchase

# Laser Grading Box PARTS LIST

Figure 19. Scarifier Assembly (Optional)



# Laser Grading Box PARTS LIST



**Figure 19. Scarifier Assembly (Optional)**

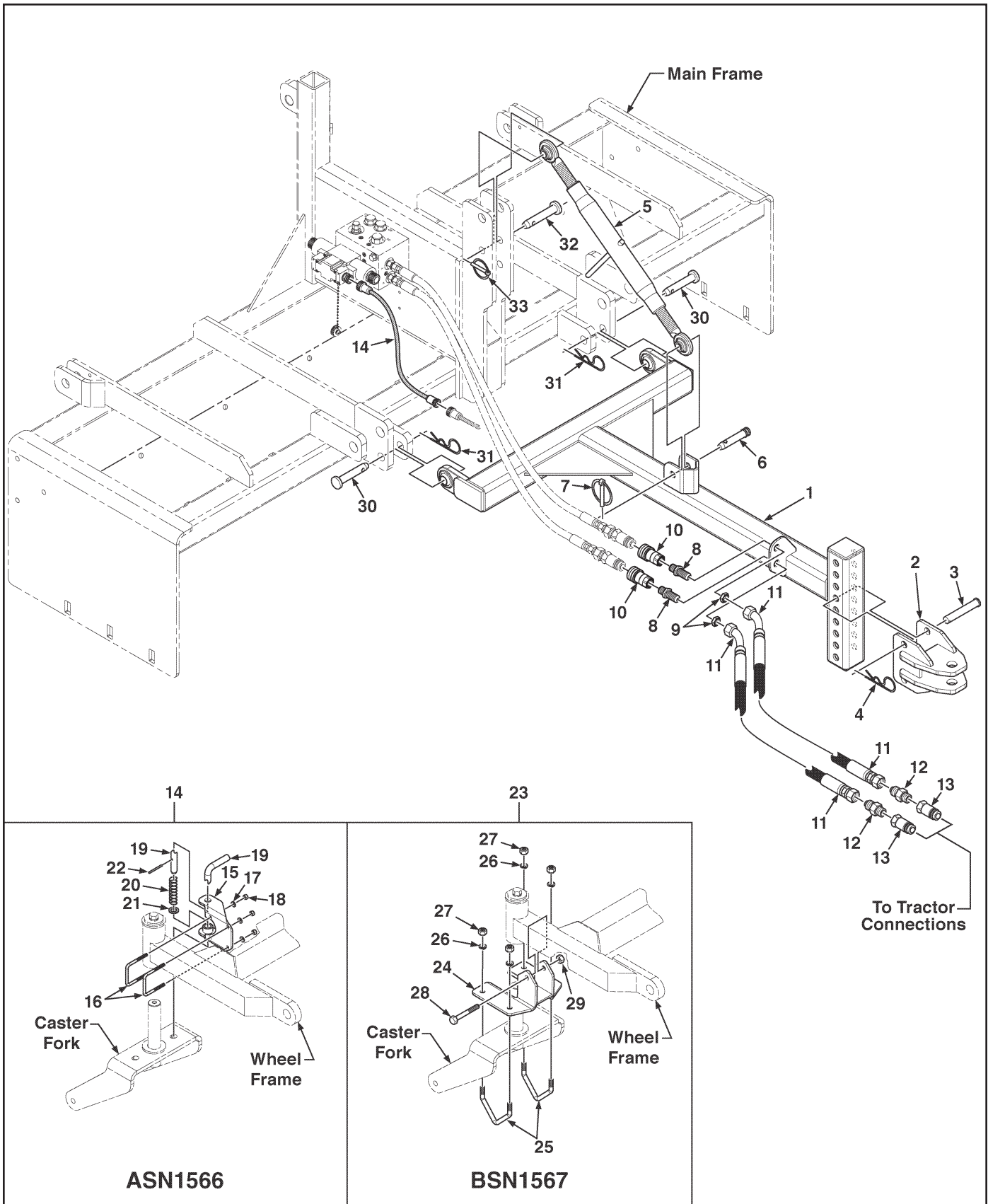
ATI Corporation  
 New Holland, PA 17557  
 Phone (717) 3564-8721 • FAX (717) 354-2162  
**1-800-342-0905**  
 www.level-best.com

Item	Part No.	Qty	Description
	315-538-000	1	Kit, Scarifier Assembly, 6' Box
	315-539-000	1	Kit, Scarifier Assembly, 7' Box
	315-540-000	1	Kit, Scarifier Assembly, 8' Box
			Includes Items 1 thru 20
1	315-518-000	1	Block, Mounting, Right
2	315-517-000	1	Block, Mounting, Left
3	000-150-185	6	Bolt, Hex Head, 1/2"-13UNC x 2" Long
4	000-155-058	6	Washer, Lock, 1/2"
5	000-158-109	6	Nut, Hex, 1/2"-13UNC
6	315-535-000	1	Bar Assembly, Scarifier, 6'
	315-536-000	1	Bar Assembly, Scarifier, 7' (Shown)
	315-537-000	1	Bar Assembly, Scarifier, 8'
			Includes Items 7 thru 13
7	315-513-000	1	Tube Assembly, Scarifier, Manual, 6'
	315-514-000	1	Tube Assembly, Scarifier, Manual, 7' (Shown)
	315-515-000	1	Tube Assembly, Scarifier, Manual, 8'
8	315-516-000	AR	Shank Assembly, With Bit Block
9	001-001-054	AR	Bit, Carbide-Tipped
10	315-513-008	1	Handle, Scarifier
11	000-161-072	AR	Pin, Clevis, 1/2" Dia. x 2" Long
12	000-161-073	1	Pin, Clevis, 1/2" Dia. x 3" Long
13	000-161-070	AR	Pin, Hair, Cotter, .120" x 2-3/8" Long
14	315-519-000	1	Latch Assembly, Handle, Scarifier
15	315-519-004	1	Bar, Clamp
16	000-150-110	2	Bolt, Hex Head, 5/16"-18UNC x 4" Long
17	000-158-066	2	Nut, Hex, Nylon Lock, 5/16"-18UNC
18	000-150-127	1	Bolt, Hex Head, 3/8"-16UNC x 1-1/4" Long
19	000-158-084	1	Nut, Hex, Nylon Lock, 3/8"-16UNC
20	000-161-074	1	Pin, Ring, Latch, 1/2" Dia. x 2" Long

AR - As Required    NSS - Not Serviced Separately    ASN - After Serial No.    BSN - Before Serial No.    LP - Local Purchase

# Laser Grading Box PARTS LIST

Figure 20. Drawbar Kit, with Wheel Locks (Optional)





# Laser Grading Box PARTS LIST



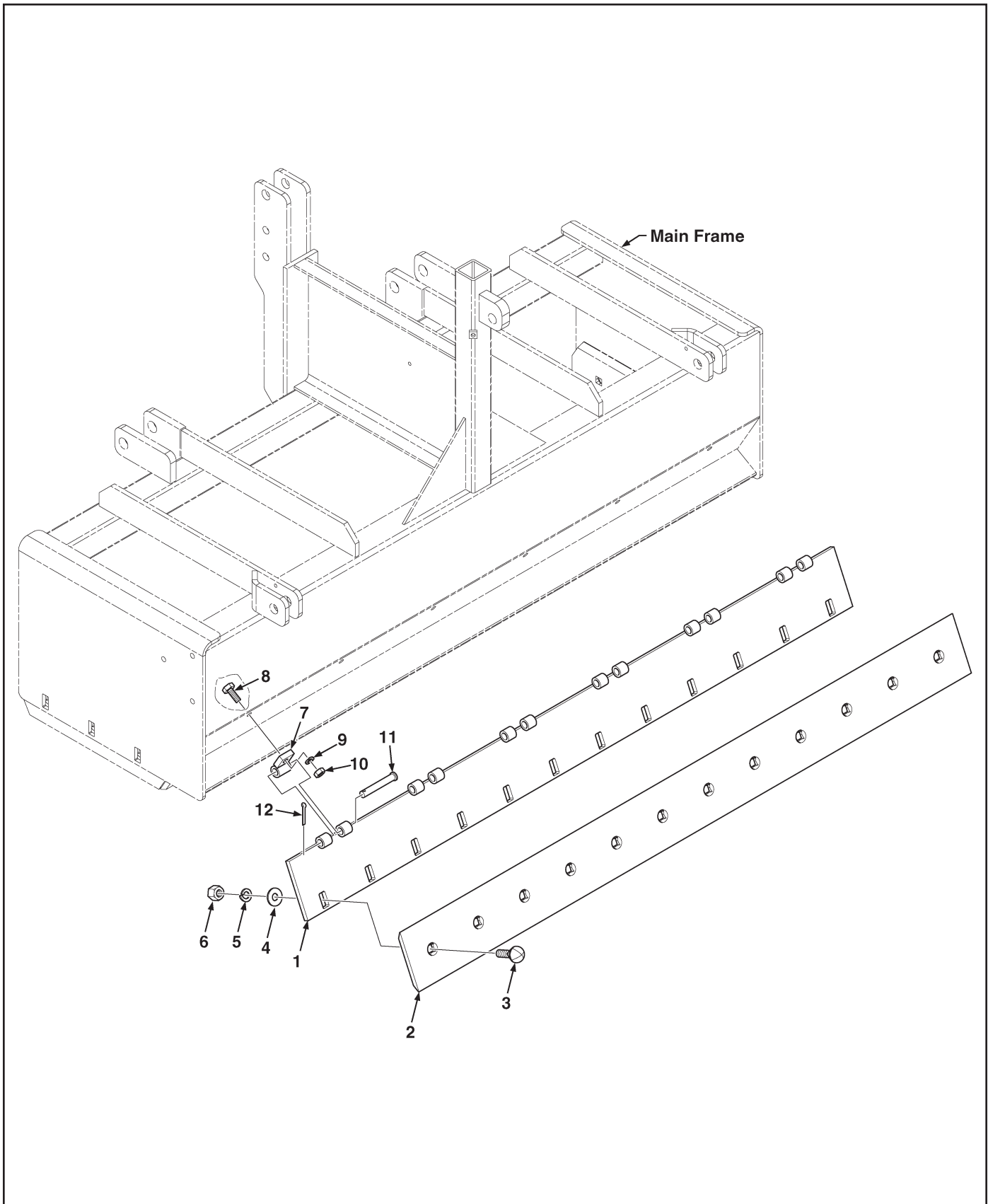
**Figure 20. Drawbar Kit, with Wheel Locks (Optional)**

ATI Corporation  
 New Holland, PA 17557  
 Phone (717) 3564-8721 • FAX (717) 354-2162  
**1-800-342-0905**  
 www.level-best.com

Item	Part No.	Qty	Description
	315-547-000	1	Kit, Drawbar, Category I, Includes Items 1 thru 22
1	315-541-000	1	Drawbar Weldment
2	315-542-000	1	Hitch, Clevis
3	000-161-079	2	Pin, Clevis, 3/4" Dia. x 4-1/2" Long
4	000-161-071	2	Pin, Cotter, Hair, .148" Dia. x 2-11/16" Long
5	001-001-064	1	Top Link
6	000-161-080	1	Pin, Top Link, 3/4" Dia. x 4-1/2" Long
7	000-161-028	1	Pin, Lynch, Locking, 7/16"
8	000-166-447	2	Connector, Bulkhead, 8MP x 8BH, Includes Item 9
9	NSS	2	Nut, Hex, Jam Lock
10	000-166-218	2	Coupler, Quick Disconnect, Ag, Female, 1/2" x 1/2" NPT
11	000-166-186	2	Hose, 1/2" Dia. x 52" Long x 8FJX x 8FJX45, 3,000 PSI
12	000-166-168	2	Adapter, Straight, 8MJ x 8MP
13	000-166-210	2	Coupler, Quick Disconnect, Ag, Male, 1/4"
14	000-200-173	1	Cable, Extension, Solenoid, 3' Long
15	315-610-200	1	Kit, Wheel Lock, RH (Shown) Includes Items 16 thru 22 ASN1566
	315-610-100	1	Kit, Wheel Lock, LH Includes Items 16 thru 22 ASN1566
16	000-150-360	4	Bolt, U, Wheel Lock, 5/16"
17	000-155-030	4	Washer, Flat, 5/16" SAE
18	000-158-066	4	Nut, Hex, Nylon Lock, 5/16"-18UNC
19	000-161-136	2	Pin, Lock, Caster Fork, 3/4" Dia. x 7" Long
20	000-161-133	2	Spring, Compression
21	000-155-096	2	Washer, Flat, 3/4" Narrow
22	000-161-119	2	Pin, Roll, 3/16" Dia. x 2-1/4" Long
23	315-610-000	2	Kit, Wheel Lock, Includes Items 24 thru 29 BSN1567
24	315-545-000	1	Wheel Lock Weldment
25	000-161-082	2	Bolt, V
26	000-155-058	4	Washer, Lock, 1/2"
27	000-158-109	4	Nut, Hex, 1/2"-13UNC
28	000-150-213	1	Bolt, Hex Head, 1/2"-13UNC x 4" Long
29	000-158-113	1	Nut, Hex, Nylon Lock, 1/2"-13UNC
30	000-161-076	2	Pin, Hitch, 7/8" Dia. x 5-1/4" Long, Category I
31	000-161-019	2	Pin, Hair, Cotter, 3/16" Dia. x 3-3/4" Long
32	000-161-081	1	Pin, Top Link, 3/4" Dia. x 5-1/2" Long, Category I
33	000-161-028	1	Pin, Lynch, Locking, 7/16"
			BH-Bulkhead MP-Male Pipe FP-Female Pipe FPX-Female Pipe Swivel MB-Male O-Ring Boss FB-Female O-Ring Boss MJ-Male JIC FJ-Female JIC FJX-Female JIC Swivel
<p><b>AR - As Required    NSS - Not Serviced Separately    ASN - After Serial No.    BSN - Before Serial No.    LP - Local Purchase</b></p>			

# Laser Grading Box PARTS LIST

**Figure 21. Back Blade Assembly - Hinged (Optional)**



# Laser Grading Box PARTS LIST



**Figure 21. Back Blade Assembly - Hinged (Optional)**

ATI Corporation  
 New Holland, PA 17557  
 Phone (717) 3564-8721 • FAX (717) 354-2162  
**1-800-342-0905**  
 www.level-best.com

Item	Part No.	Qty	Description
1	000-190-132	1	Back Blade Assembly, 72" Long, Includes Items 1 thru 12
	000-190-133	1	Back Blade Assembly, 84" Long, Includes Items 1 thru 12
	000-190-134	1	Back Blade Assembly, 96" Long, Includes Items 1 thru 12
	315-558-000	1	Bracket, Mounting, Rear, Hinged, 72" Long
	315-559-000	1	Bracket, Mounting, Rear, Hinged, 84" Long
	315-560-000	1	Bracket, Mounting, Rear, Hinged, 96" Long
2	000-190-075	1	Edge, Cutting, DBF, 72" Long
	000-190-077	1	Edge, Cutting, DBF, 84" Long
	000-190-079	1	Edge, Cutting, DBF, 96" Long
3	000-150-263	AR	Bolt, Plow, 5/8"-11UNC x 2" Long
4	000-155-074	AR	Washer, Flat, 5/8"
5	000-155-077	AR	Washer, Lock, 5/8"
6	000-158-138	AR	Nut, Hex, 5/8"-11UNC
7	315-561-000	AR	Hinge, Back Blade
8	000-150-178	AR	Bolt, Hex Head, 1/2"-13UNC x 1-1/2" Long
9	000-155-058	AR	Washer, Lock, 1/2"
10	000-158-109	AR	Nut, Hex, 1/2"-13UNC
11	000-161-008	AR	Pin, Clevis, 5/8" Dia. x 4" Long
12	000-161-026	AR	Pin, Cotter, 5/32" Dia. x 1" Long

AR - As Required    NSS - Not Serviced Separately    ASN - After Serial No.    BSN - Before Serial No.    LP - Local Purchase

Figure 22. Decals



# Laser Grading Box PARTS LIST



ATI Corporation  
 New Holland, PA 17557  
 Phone (717) 3564-8721 • FAX (717) 354-2162  
**1-800-342-0905**  
[www.level-best.com](http://www.level-best.com)

**Figure 22. Decals**

Item	Part No.	Qty	Description
1	000-186-045	2	Decal, Level Best Logo
2	000-186-041	1	Decal, Warning, High Pressure
3	000-186-094	2	Decal, Warning, This Machine Starts & Stops Automatically
4	000-186-092	2	Decal, Made in U.S.A.
5	000-186-035	1	Plate, Model/Serial, Adhesive Back
6	LP	AR	Skid Grip

AR - As Required    NSS - Not Serviced Separately    ASN - After Serial No.    BSN - Before Serial No.    LP - Local Purchase