



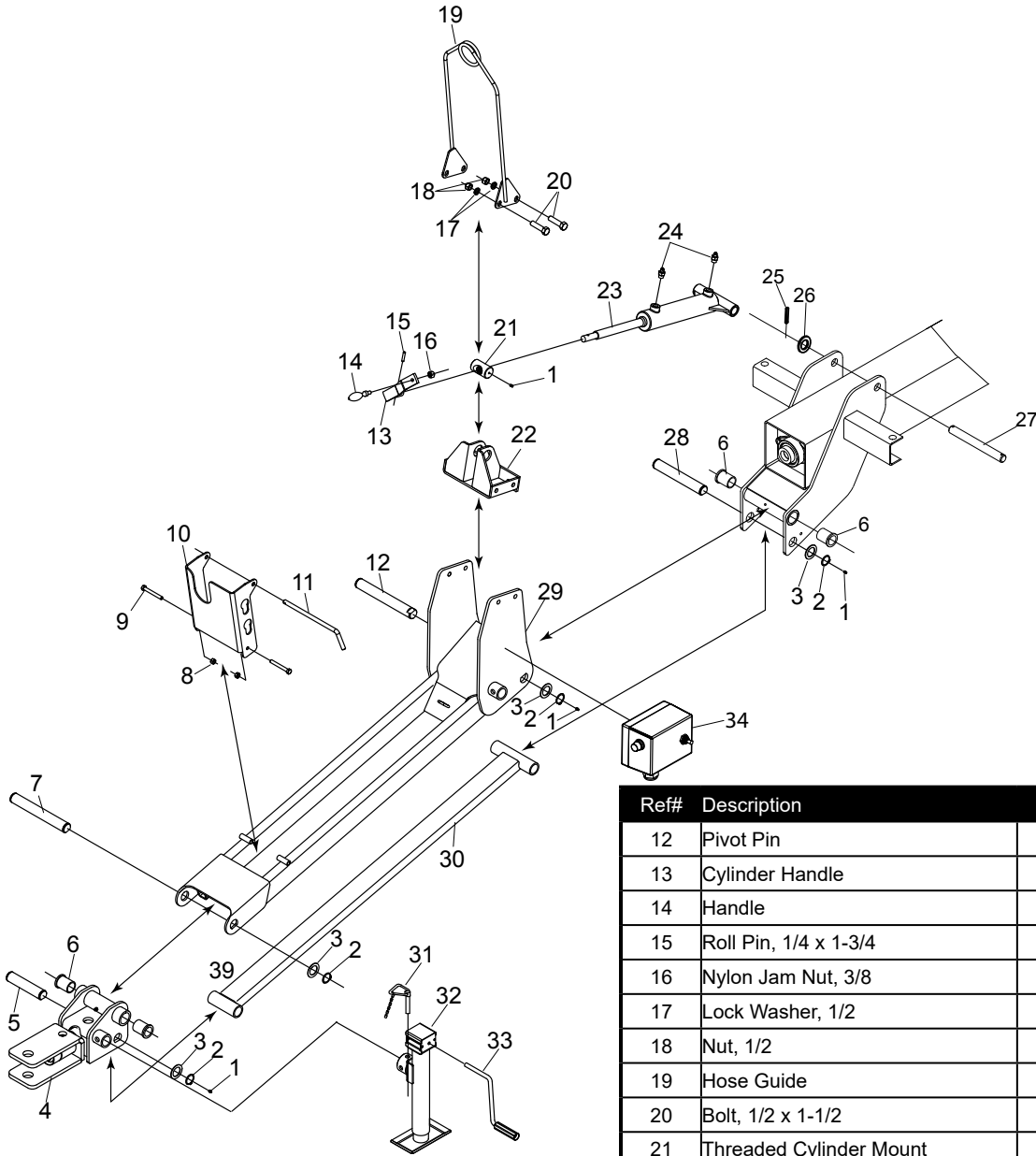
HR24TS Rotary Rake

Serial Numbers 99050-xxxxx

Illustrated Parts Breakdown

Page 1	Tongue
Page 2	Front Frame
Page 3	Guards and Guard Arm, Front
Page 4	Hay Curtain Mount
Page 5	Hay Curtain
Page 6	Front Chassis
Page 7	Front Axle
Page 8	Front Pivot
Page 9	Bridge Frame
Page 10	Rear Pivot
Page 11	Guards, Rear
Page 12	Rear Chassis
Page 13	Rear Axle
Page 14	Gearbox and Stand
Page 15	Rotary Gearboxes
Page 16	Tine Arm and Tine
Page 17	Hydraulic Hoses
Page 18	Lighting
Page 19	Switch Box
Page 20	Decals

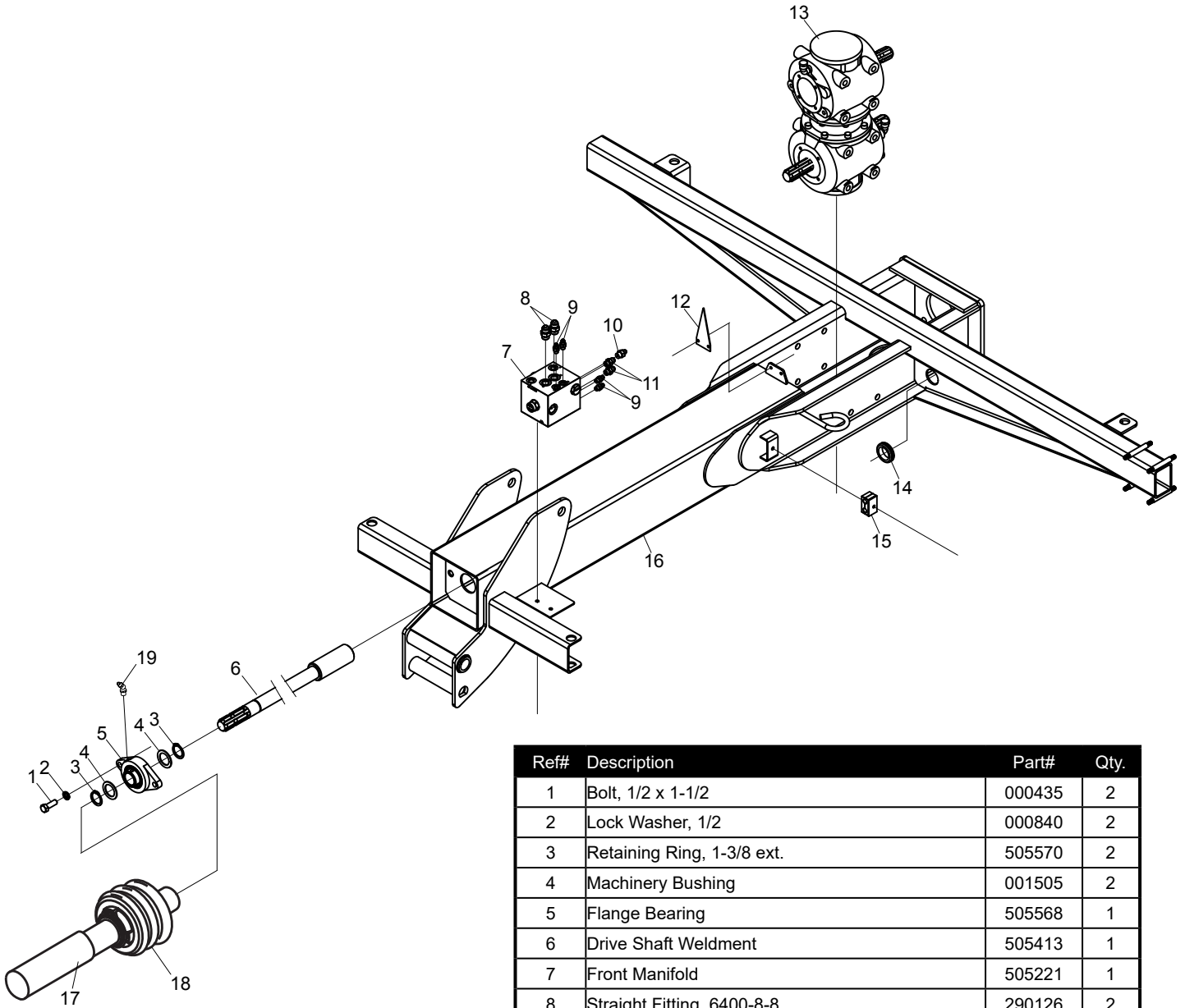
Tongue Assembly



Ref#	Description	Part#	Qty.
1	Grease Fitting	400117	4
2	Retaining Ring, 1-1/4	701173	3
3	Machinery Bushing, 1-1/4	500185	3
4	Swivel Hitch	505468	1
5	Pivot Pin	505684	1
6	Flange Bronze Bushing	505099	4
7	Pivot Pin	505683	1
8	Nylon Locknut, 3/8	003000	2
9	Bolt, 3/8 x 2-1/2	000300	2
10	PTO Stand	505241	1
11	Hitch Pin	505707	1

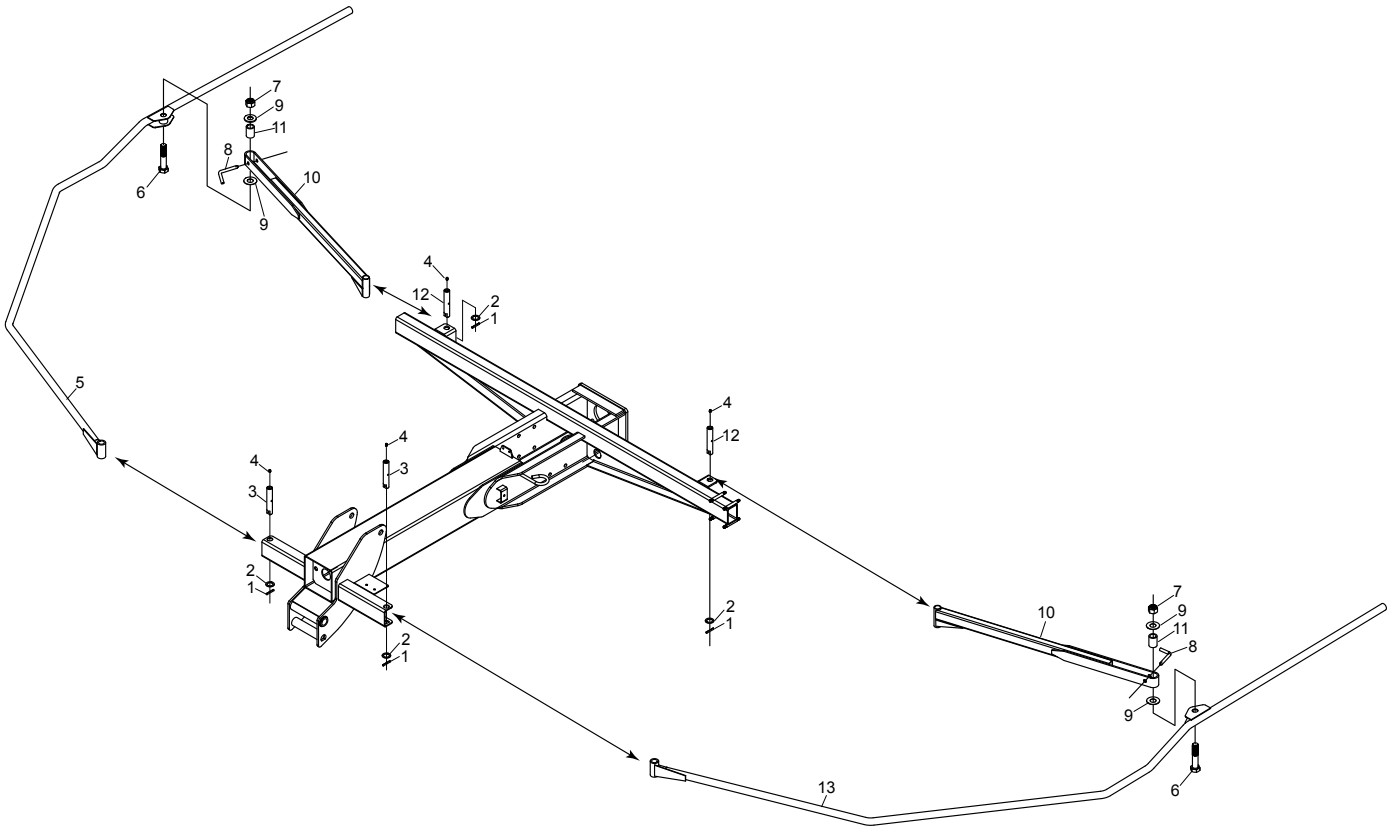
Ref#	Description	Part#	Qty.
12	Pivot Pin	505687	1
13	Cylinder Handle	503037	1
14	Handle	502149	1
15	Roll Pin, 1/4 x 1-3/4	500187	1
16	Nylon Jam Nut, 3/8	000920	1
17	Lock Washer, 1/2	000840	4
18	Nut, 1/2	000940	4
19	Hose Guide	505033	1
20	Bolt, 1/2 x 1-1/2	000435	4
21	Threaded Cylinder Mount	502218	1
22	Trunnion Pivot	505212	1
23	Cylinder	505204	1
24	Straight Fitting, 6400-4-6	700908	2
25	Roll Pin, 1/4 x 1-3/4	500187	2
26	Machinery Bushing, 1"	001008	2
27	Pivot Pin	505342	1
28	Pivot Pin	505686	1
29	Tongue Weldment	505098	1
30	Hitch Linkage	505102	1
31	Pin & Chain	500012	1
32	Complete Jack	903317	1
33	Jack Handle	903318	1
34	Switchbox	505104	1

Front Frame Assembly



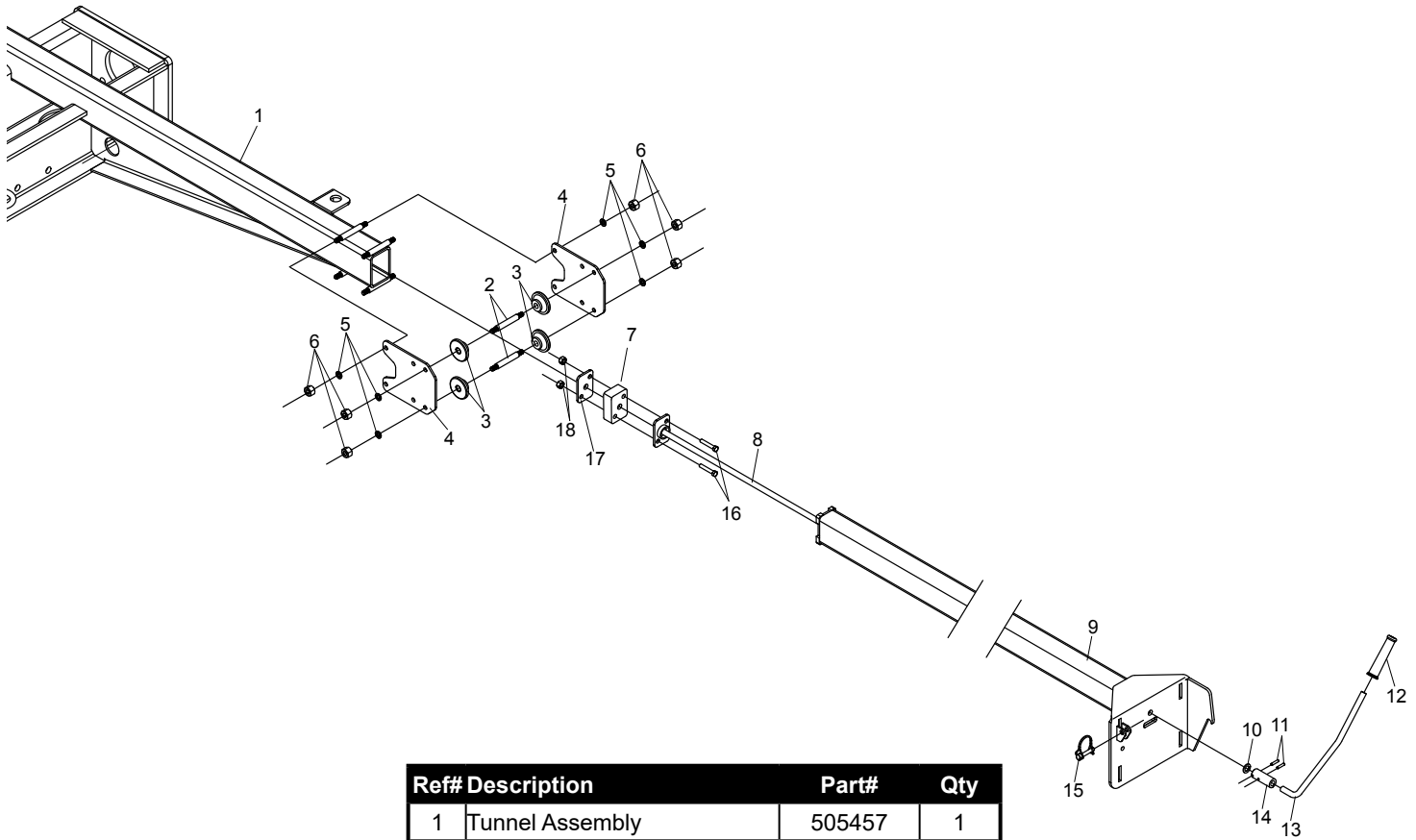
Ref#	Description	Part#	Qty.
1	Bolt, 1/2 x 1-1/2	000435	2
2	Lock Washer, 1/2	000840	2
3	Retaining Ring, 1-3/8 ext.	505570	2
4	Machinery Bushing	001505	2
5	Flange Bearing	505568	1
6	Drive Shaft Weldment	505413	1
7	Front Manifold	505221	1
8	Straight Fitting, 6400-8-8	290126	2
9	Straight Fitting, 6400-4-4	290195	4
10	Straight Fitting, 6400-4-6	700908	1
11	Straight Fitting, 6400-6-6	507283	2
12	Indicator Arrow	505217	1
13	Swivel Gearbox	505000	1
14	Rubber hose Grommet	502291	1
15	Hose Holding Kit	507294	2
16	Front Tunnel Weldment	505543	1
17	PTO Shaft, Complete	505421	1
18	PTO Shield Kit (Bondioli Shafts Only)	505800	1
19	45° Grease Fitting	701171	1

Guards & Guard Arms (Front Rotor)



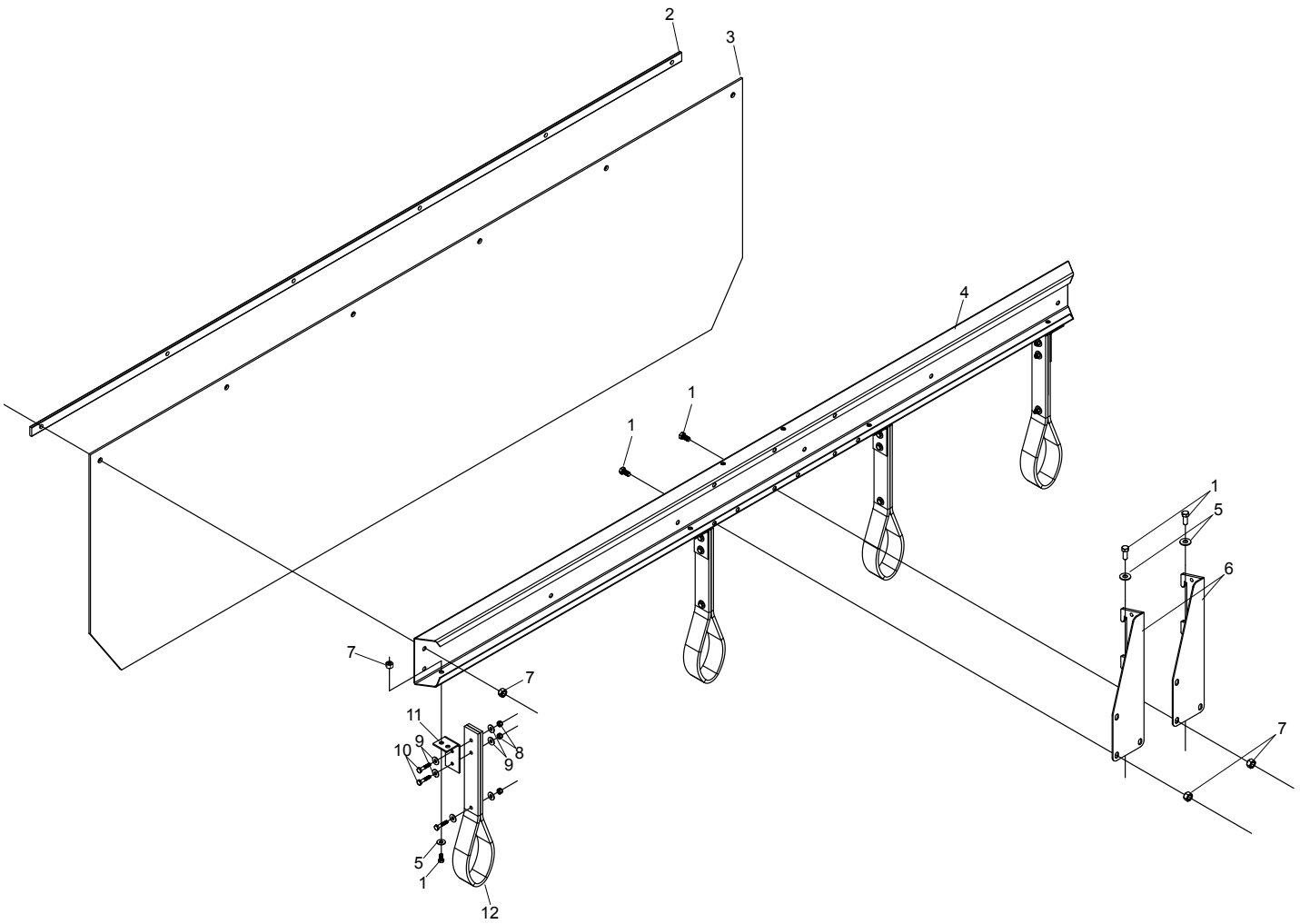
Ref#	Description	Part#	Qty
1	Roll Pin, 1/4 x 1-3/4	500187	4
2	Machinery Bushing, 1"	001008	4
3	Guard Pin	505651	2
4	Grease Fitting	400117	4
5	Guard, Right	505639	1
6	Bolt, 1" x 5"	000785	2
7	Nylon Locknut, 1"	001013	2
8	Pin	100330	2
9	Washer	001094	4
10	Guard Arm	505678	2
11	Pivot Bushing	505638	2
12	Guard Pin	505647	2
13	Guard, Left	505626	1

Hay Curtain Mount, (Front Rotor)



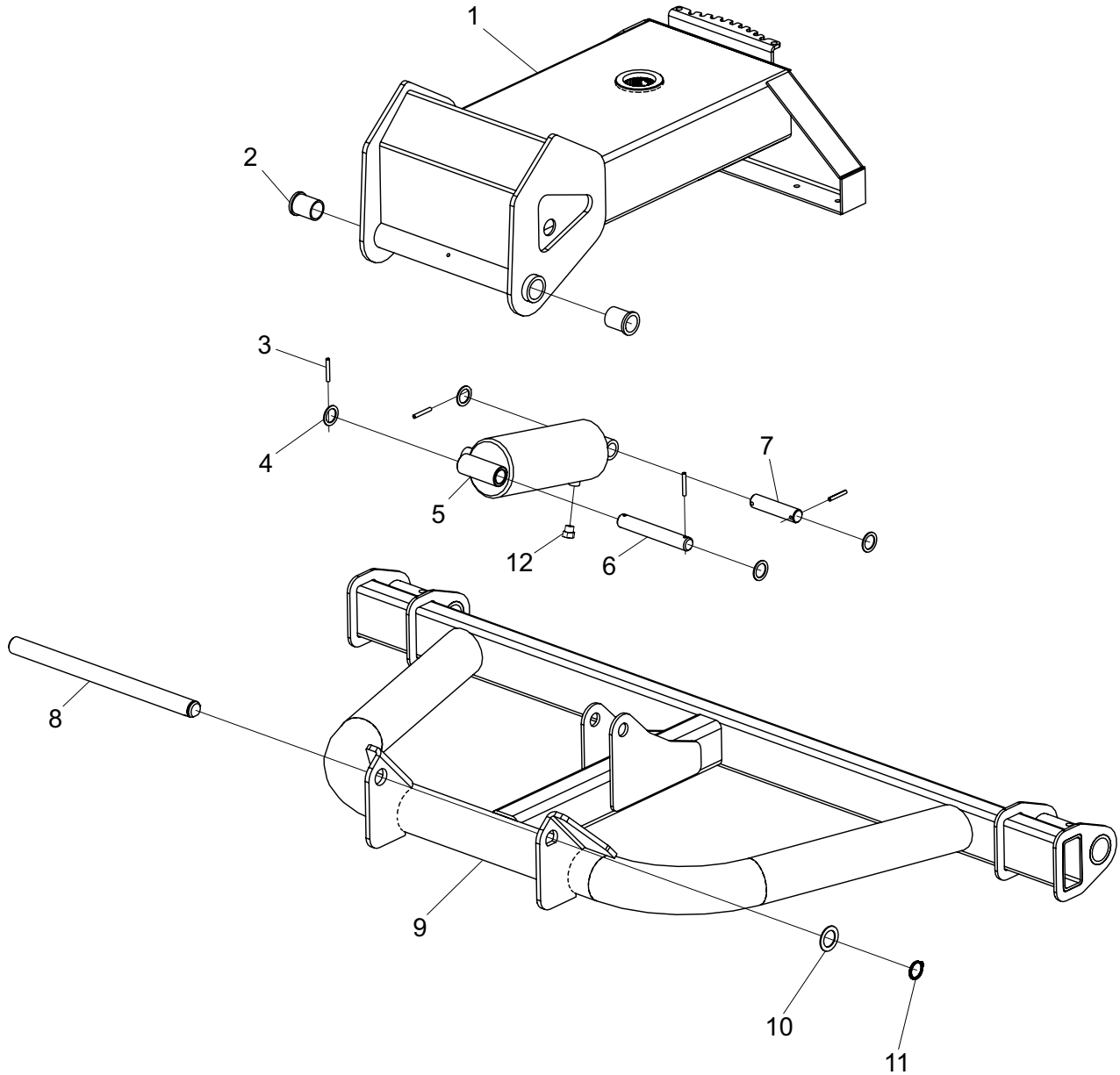
Ref#	Description	Part#	Qty
1	Tunnel Assembly	505457	1
2	Roller Stud	505681	2
3	Plastic Bearing	505827	4
4	Guide Plate	505607	2
5	Lock Washer, 3/8"	000820	12
6	Nut, 3/8"	000915	12
7	Rubber Block	505441	1
8	Torsion Bar	505437	1
9	Curtain Bar	505439	1
10	Machinery Bushing, 1/2"	000530	1
11	Roll Pin, Stainless Steel	505691	2
12	Handle Grip	505052	1
13	Handle	505050	1
14	Curtain Handle Coupler	505053	1
15	Quick Pin	903144	1
16	Bolt, 3/8 x 2	000286	2
17	Rubber Hold Plate	505442	1
18	Nylon Locknut, 3/8	003000	2

Hay Curtain



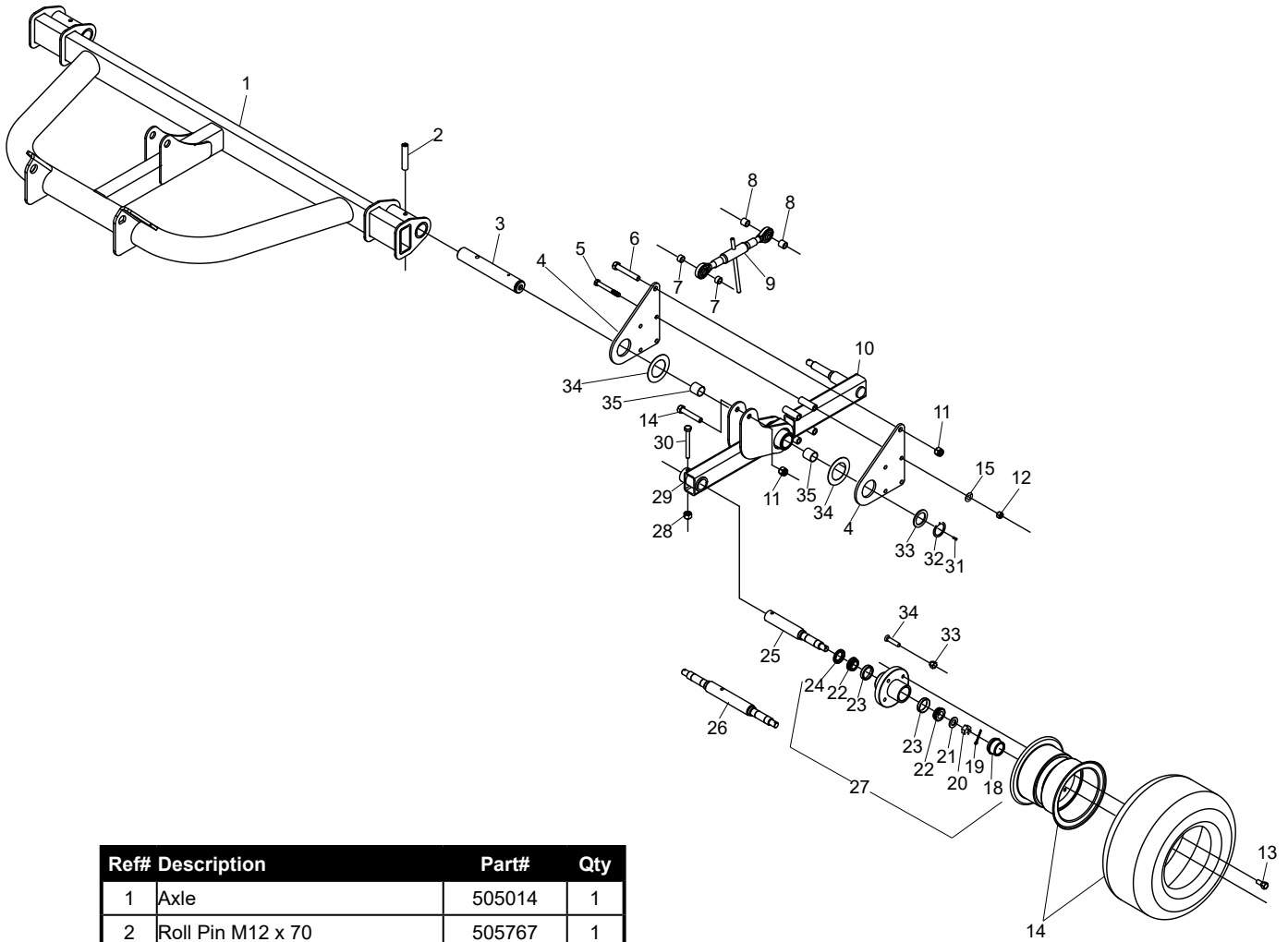
Ref#	Description	Part#	Qty.
1	Bolt, 3/8 x 1	000270	20
2	Curtain Clamp	505713	1
3	Hay Curtain	505044	1
4	Curtain Bracket	505520	1
5	Flat Washer, 3/8	001035	8
6	Curtain Mount	505529	2
7	Nylon Locknut, 3/8	003000	20
8	Nylon Locknut, 1/4	003001	12
9	Flat Washer, 1/4	001020	16
10	Bolt, 1/4 x 1	100148	12
11	Mounting Plate	505738	4
12	Curtain Support	505737	4

Front Chassis



Ref#	Description	Part#	Qty
1	Gearbox Base Weldment	505813	1
2	Bronze Bushing	505099	2
3	Roll Pin	500187	4
4	1" x 1-1/2 Machinery Bushing	001008	4
5	Cylinder	505167	1
6	Pivot Pin	505184	1
7	Pivot Pin	701021	1
8	Axle Pivot Shaft	505654	1
9	Pivot Pin	505014	1
10	Axle Weldment	500185	1
11	Retaining Ring, 1-1/4	701173	2
12	Breather Plug	290266	1

Front Axle

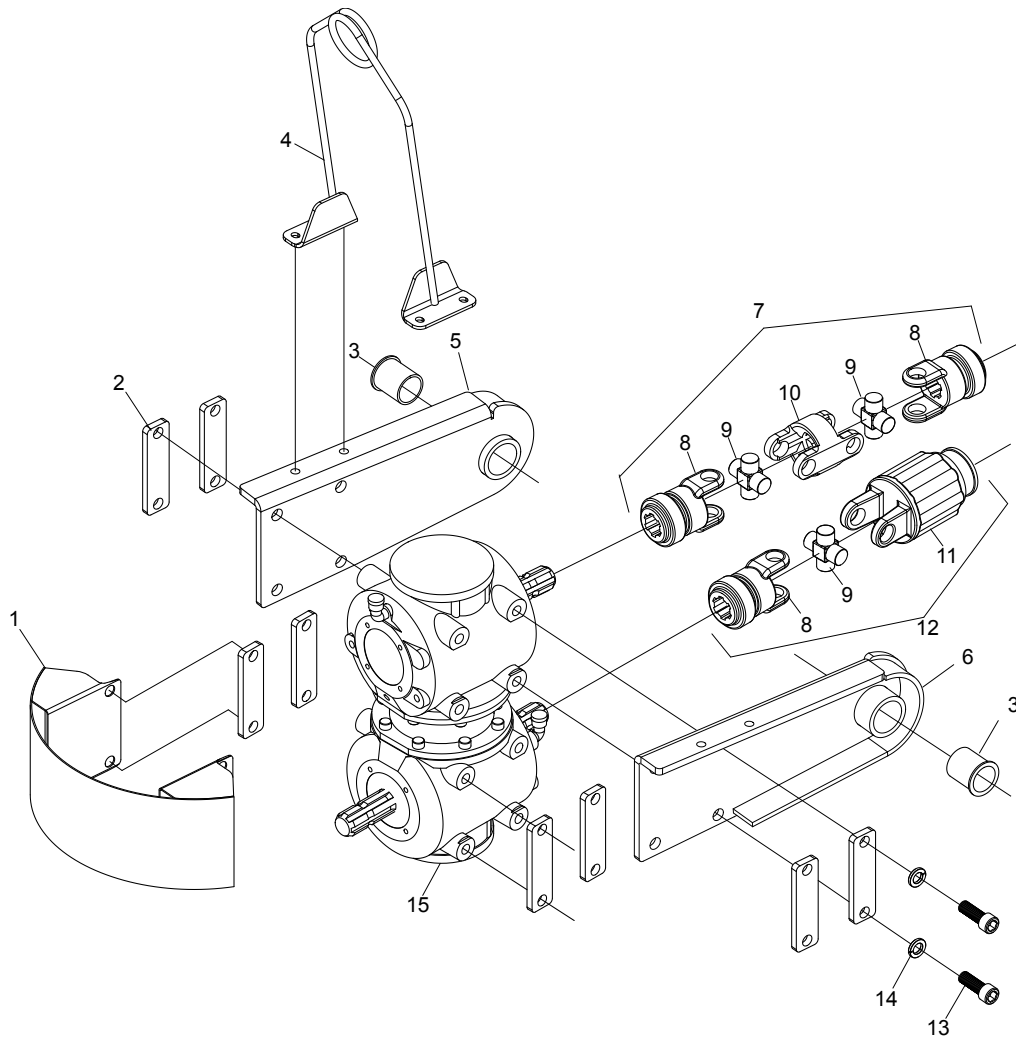


Ref#	Description	Part#	Qty
1	Axle	505014	1
2	Roll Pin M12 x 70	505767	1
3	Pivot Shaft	505491	1
4	Pivot Plate	505487	2
5	Bolt, 1/2 x 4	000490	4
6	Bolt, 5/8 x 4-1/2	000645	1
7	Spacer	505671	2
8	Spacer	505495	2
9	Turn Buckle	505259	1
10	Walking Beam, Rear	505494	1
11	Nylon Locknut, 5/8	000972	2
12	1/2" Hex Nut	000940	4
13	Lug Bolt	500210	8
14	Tire & Wheel Assembly	500220	2
15	Cap	500209	2
16	Cotter Pin	500208	2
17	Spindle Nut	500207	2
18	Spindle Washer	500206	2
19	Bearing	500202	4
20	Race	500204	4

Ref#	Description	Part#	Qty
21	Seal	500201	2
22	Spindle	505534	1
23	Double Spindle	505114	1
24	Hub Complete	500199	2
25	Nylon Locknut, 3/8	003000	2
26	Front Walking Beam, Left	505532	1
27	Front Walking Beam, Right	505480	
28	Bolt, 3/8 x 2-1/2	000300	2
29	Grease Fitting	400117	1
29a	Retaining Ring	505492	1
30	Machinery Bushing	500191	1
31	Pivot Washer	505489	2
32	Bronze Bushing	300012	2
33	Lug Nut	508506	8
34	Wheel Stud	508505	8
35	Bolt, 5/8 x 3-1/2	000627	1
39	1/2" Lock Washer	000840	4

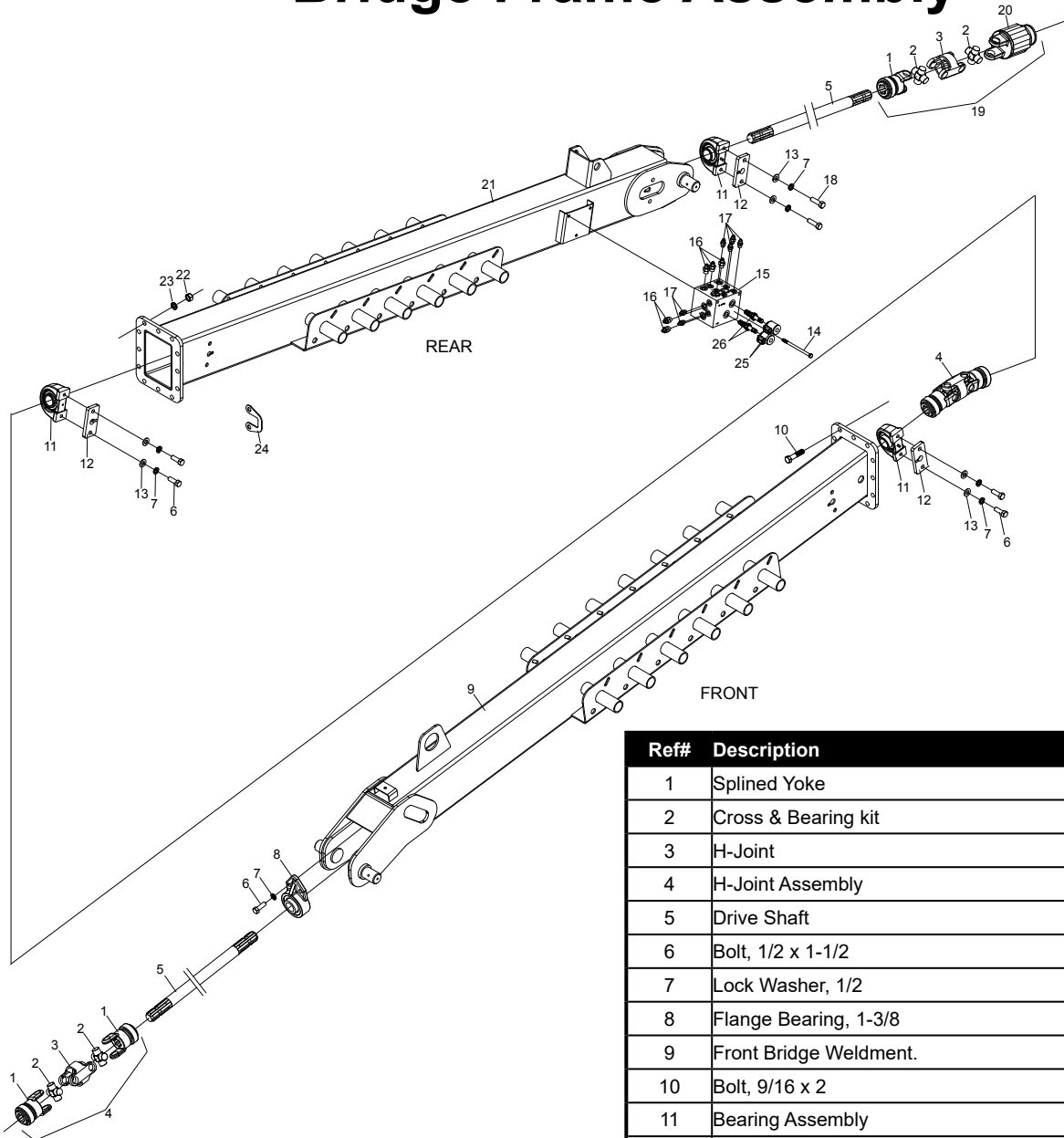
NOTE: Quantities listed are for left side only.
Quantities may change if extra tire option is installed

Front Pivot



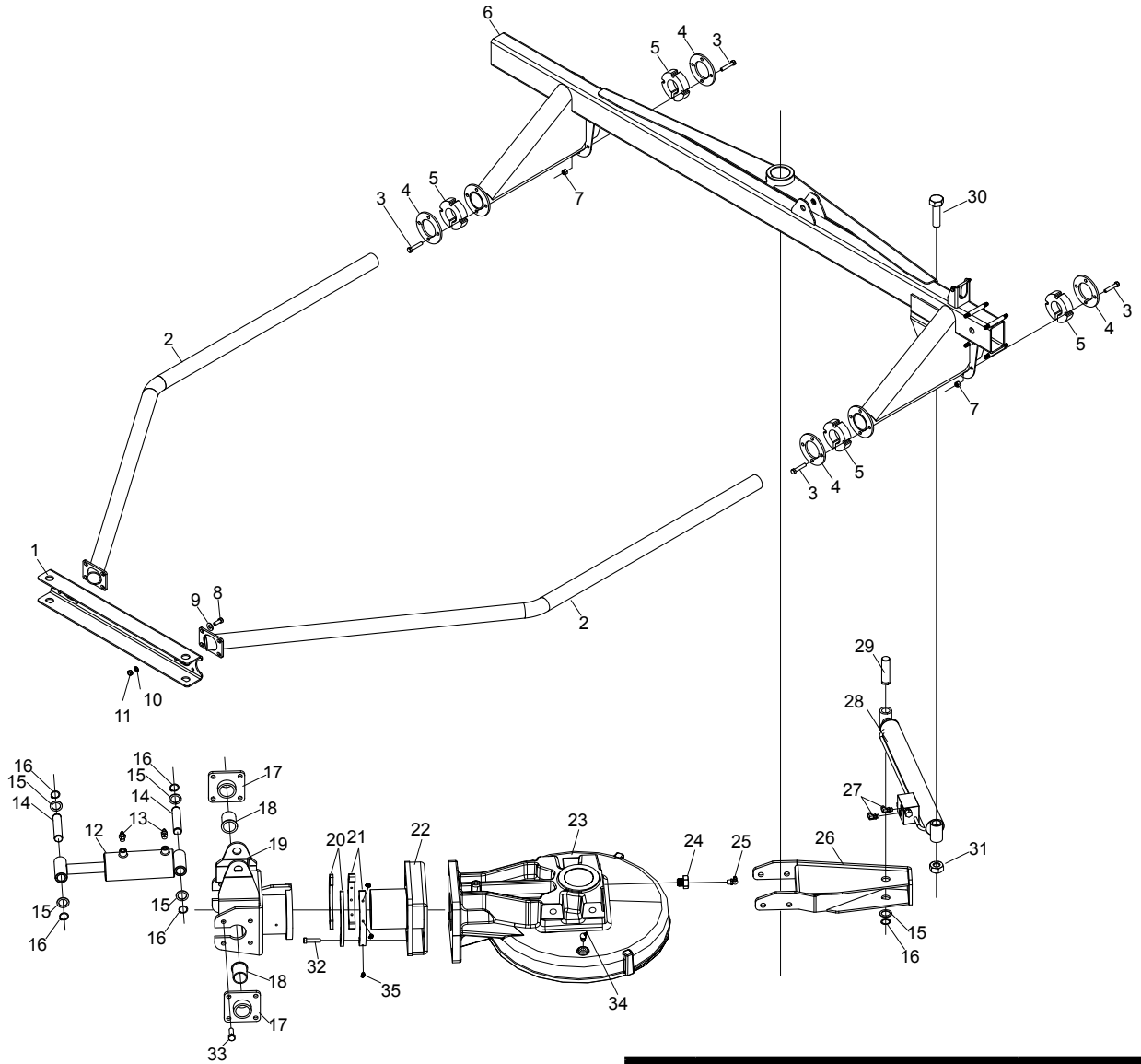
Ref#	Description	Part#	Qty.
1	Indicator Panel	505215	1
2	Retainer Plate	505191	8
3	Bronze Bushing	700054	2
4	Hose Guide	505748	1
5	Swivel Clamp Plate (R)	505781	1
6	Swivel Clamp Plate (L)	505780	1
7	H-Joint Assembly	505176	1
8	Splined Yoke	505174	3
9	Cross & Bearing Kit	701172	3
10	H-Joint	701106	1
11	Radial Pin Clutch	505173	1
12	Joint Assembly	505339	1
13	Socket Head Bolt, M16 x 55	002695	16
14	Lock Washer, M16	002868	16
15	Swivel Divider Gearbox	505000	1

Bridge Frame Assembly



Ref#	Description	Part#	Qty.
1	Splined Yoke	505174	5
2	Cross & Bearing kit	701172	6
3	H-Joint	701106	3
4	H-Joint Assembly	505176	2
5	Drive Shaft	505171	2
6	Bolt, 1/2 x 1-1/2	000435	7
7	Lock Washer, 1/2	000840	9
8	Flange Bearing, 1-3/8	505578	1
9	Front Bridge Weldment.	505673	1
10	Bolt, 9/16 x 2	000578	12
11	Bearing Assembly	505291	3
12	Bearing Block	505292	3
13	Flat Washer, 1/2"	001061	6
14	Bolt, 3/8 x 5	000153	3
15	Manifold Assembly	505220	1
16	Straight Fitting, 6400-4-6	700908	5
17	Straight Fitting, 6400-4-4	290195	6
18	Bolt, 1/2 x 1-3/4	000445	2
19	Clutch H-Joint Assembly	505175	1
20	Splined Clutch	505173	1
21	Rear Bridge Weldment	505553	1
22	Nut, 9/16	000965	12
23	Lock Washer, 9/16	000850	12
24	Hose Bracket	505733	1
25	Solenoid Coil	505725	1
26	Solenoid Valve	505724	1

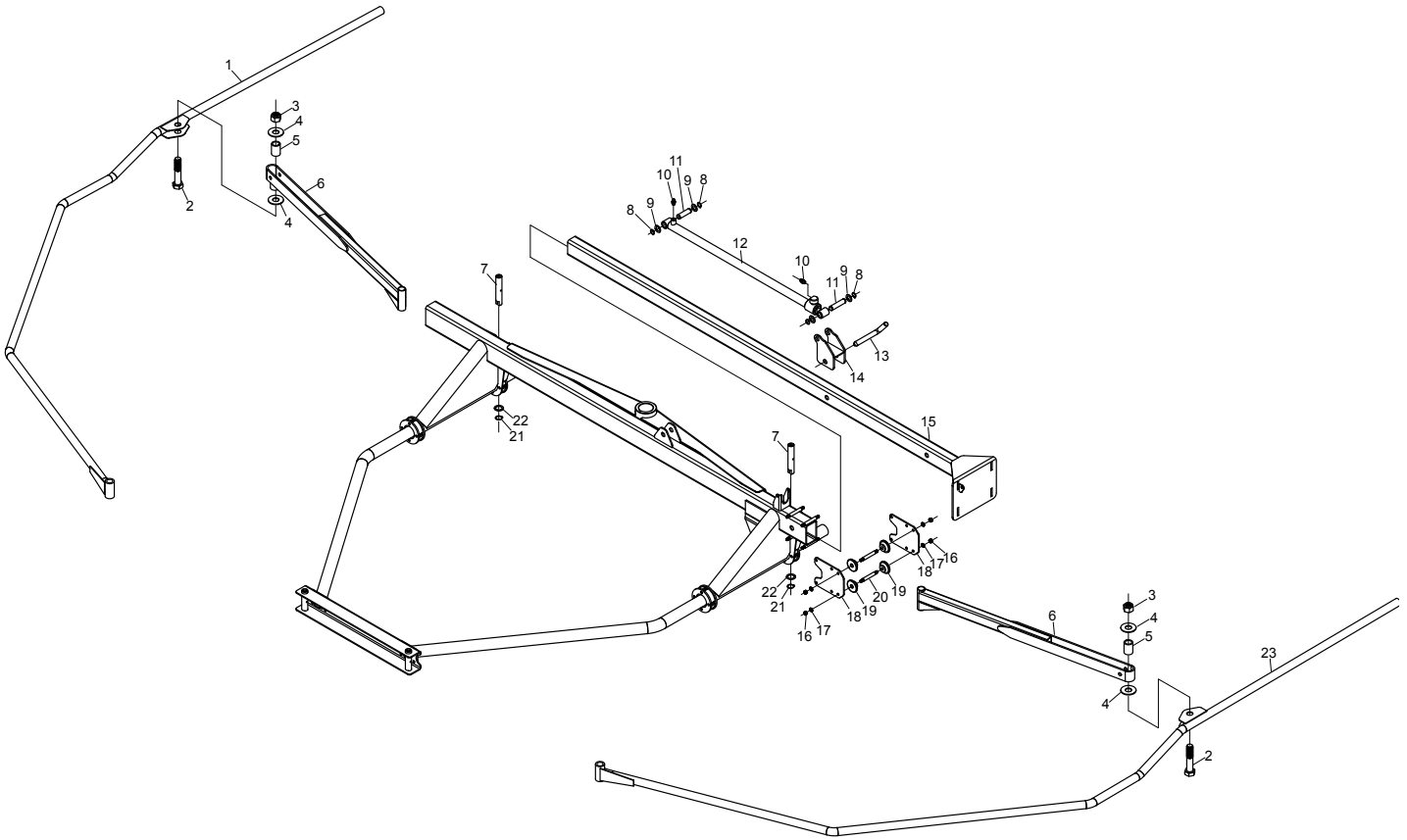
Rear Pivot



Ref#	Description	Part#	Qty.
1	Guard Mounting Bracket	505586	1
2	Guard Frame Weldment	505622	2
3	Bolt, 3/8 x 2	000286	16
4	Grommet Plate	505620	4
5	Rubber Grommet	505621	4
6	Rear Tunnel Weldment	505601	1
7	Nylon Locknut, 3/8	003000	16
8	Bolt, 3/8 x 1	000270	8
9	Flat Washer, 3/8	001035	8
10	Lock Washer, 3/8	000820	8
11	Nut, 3/8	000915	8
12	Rear Upper Cylinder	505205	1
13	Straight Fitting, 6400-4-6	700908	2
14	Pivot Pin	505672	2
15	Machinery Bushing	001008	3
16	Retaining Ring, 1"	505648	3
17	Pivot Bearing w/ Bushing	505075	2

Ref#	Description	Part#	Qty.
18	Bronze Bushing	700054	2
19	Rear Swivel Weldment	505087	1
20	Swivel Clamp	505089	2
21	Swivel Spacer	505088	2
22	Rear Gearbox Mount	505594	1
23	Gearbox Cover	502143	1
24	5/8-11 x 3/4 Hex Bolt	505782	1
25	90° grease fitting, 1/8 NPT	900044	1
26	Swing Bracket Weldment	505645	1
27	Elbow Fitting, 6801-4-4	700948	2
28	Swing Cylinder	505219	1
29	Pivot Pin	505650	1
30	Bolt, 1" x 4"	000783	1
31	Nylon Jam Nut, 1"	001013	1
32	Bolt, 7/16 x 1-3/4	000362	10
33	Bolt, 1/2 x 1-1/2	000435	8
34	45° grease fitting	502061	1
35	45° grease fitting 1/4" Thread	701171	6

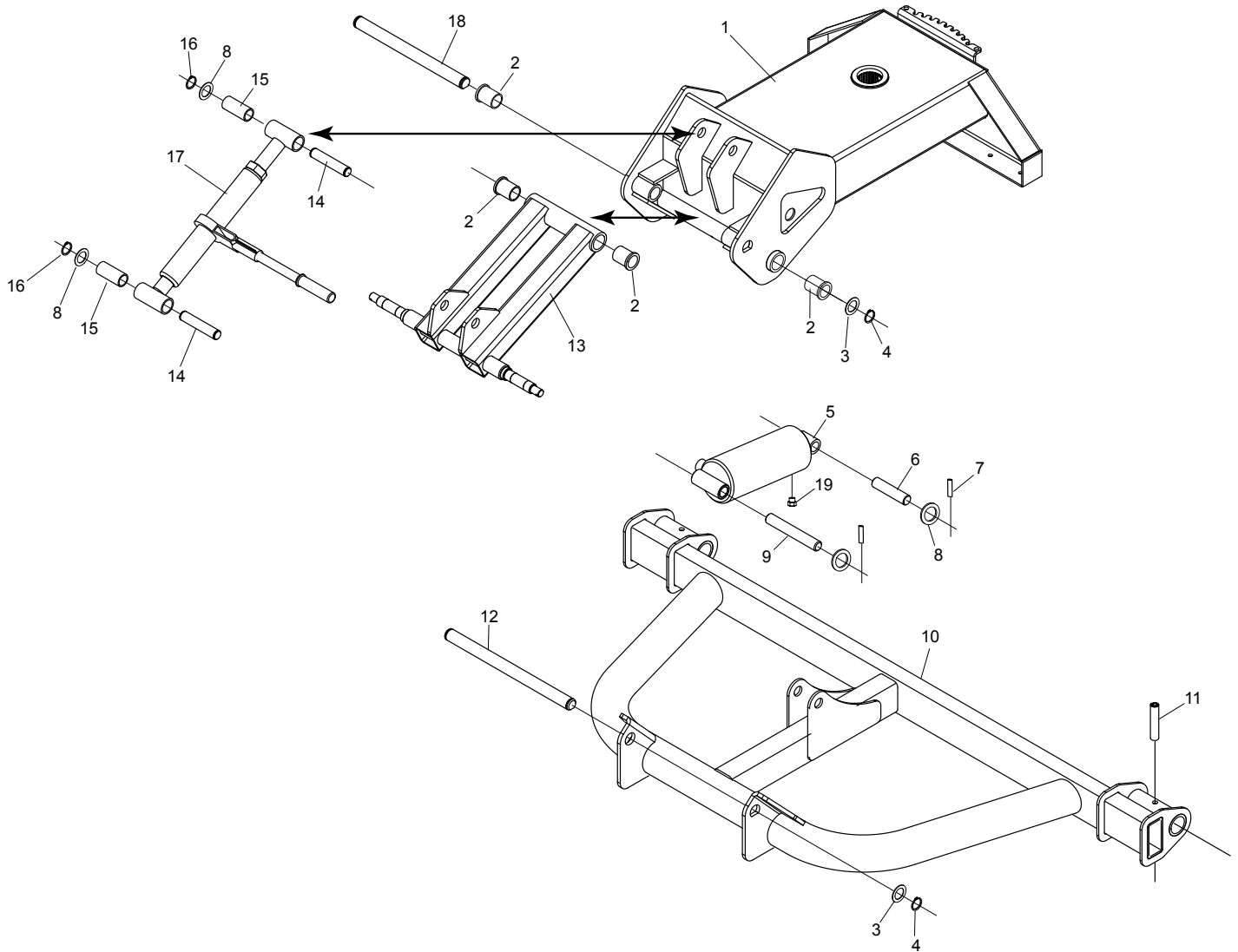
Guards, Rear Rotor



Ref#	Description	Part#	Qty.
1	Guard, Right	505639	1
2	Bolt, 1 x 5	000785	2
3	Nylon Locknut, 1"	001012	2
4	Flat Washer, 1"	001094	4
5	Pivot Bushing	505638	2
6	Guard Arm	505636	2
7	Guard Arm Pin	505647	2
8	Retaining Ring, 3/4	902022	4
9	Machinery Bushing, 3/4	400148	4
10	Straight Fitting, 6400-4-4	290195	2
11	Pivot Pin	505663	2
12	Cylinder	505773	1

Ref#	Description	Part#	Qty.
13	Bent Pin	505659	1
14	Cylinder Bracket	505609	1
15	Rear Curtain Bar Weldment	505596	1
16	Nut, 3/8	000915	6
17	Lock Washer, 3/8	000820	6
18	Guide Plate	505607	2
19	Curtain Arm Bearing	505605	4
20	Roller Stud	505681	2
21	Retaining Ring, 1"	505648	2
22	Machinery Bushing, 1"	001008	2
23	Guard, Left	505626	1

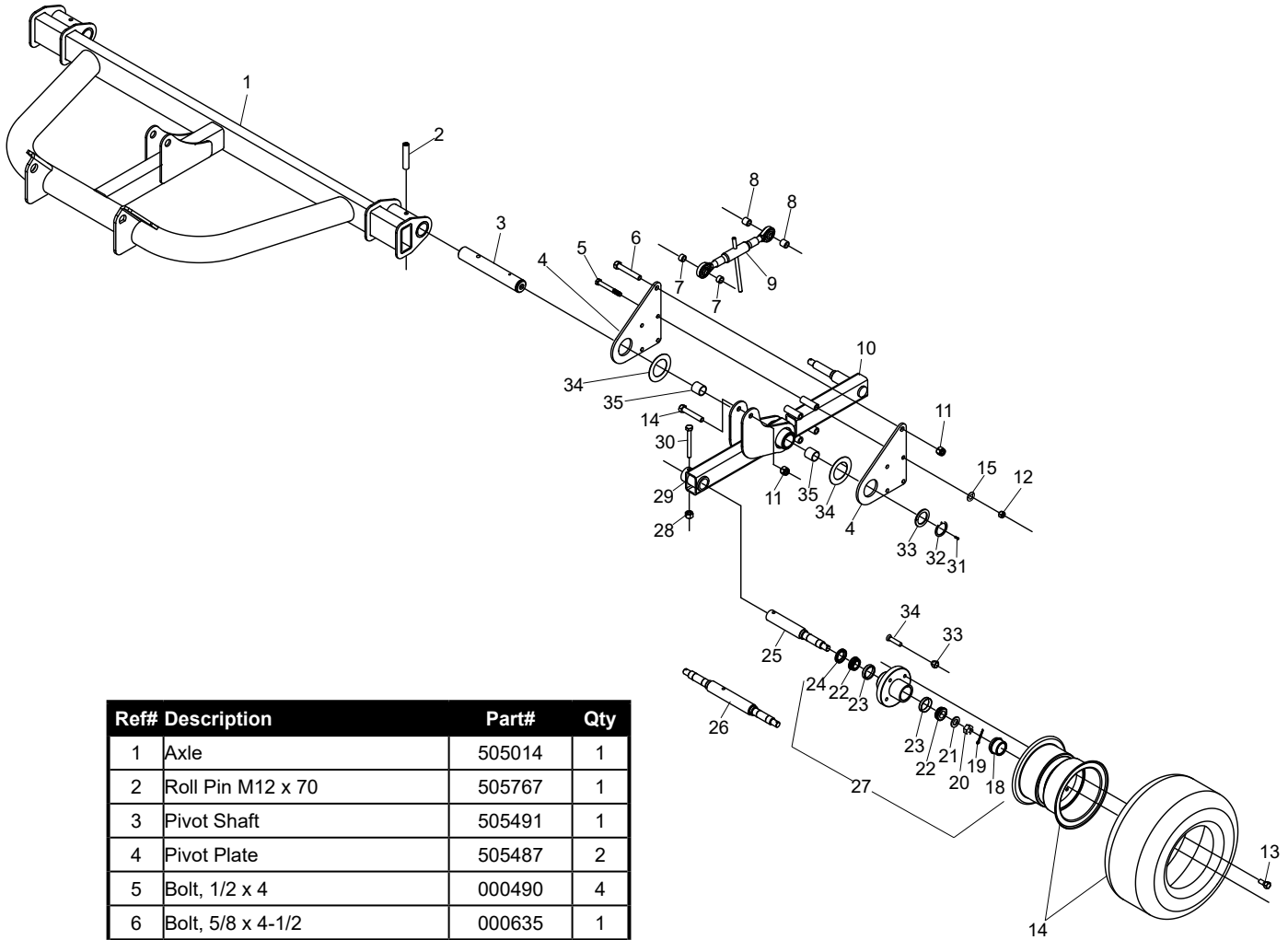
Rear Chassis



Ref#	Description	Part#	Qty
1	Gearbox Base Weldment	505815	1
2	Bronze Bushing	505099	4
3	Machinery Bushing, 1-1/4	500185	2
4	Retaining Ring, 1-1/4	701173	2
5	Cylinder	505167	1
6	Pivot Pin	701021	1
7	Roll Pin, 1/4 x 1-3/4	500187	4
8	Machinery Bushing, 1"	001008	8
9	Pivot Pin	505184	1

Ref#	Description	Part#	Qty
10	Axle Weldment	505014	1
11	Roll Pin, 12mm x 70mm	505767	2
12	Pivot Shaft, 17.5"	505654	1
13	Pitch Arm Weldment	505118	1
14	Pivot Pin, 5"	505660	2
15	Bronze Bushing	500278	2
16	Retaining Ring, 1"	505648	4
17	Ratchet Assembly	507230	1
18	Pivot Shaft, 15.25"	505658	1
19	Breather Plug	290266	1

Rear Axle & Walking Beam



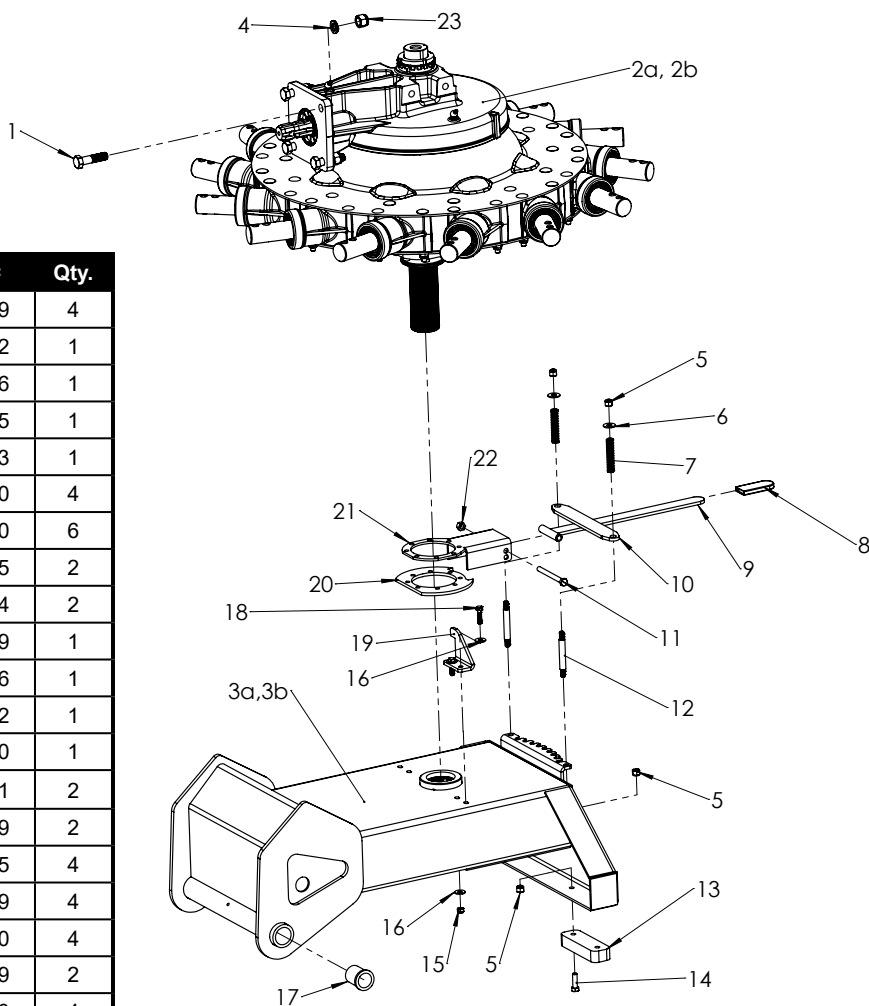
Ref#	Description	Part#	Qty
1	Axle	505014	1
2	Roll Pin M12 x 70	505767	1
3	Pivot Shaft	505491	1
4	Pivot Plate	505487	2
5	Bolt, 1/2 x 4	000490	4
6	Bolt, 5/8 x 4-1/2	000635	1
7	Spacer	505671	2
8	Spacer	505495	2
9	Turn Buckle	505259	1
10	Walking Beam, Rear	505494	1
11	Nylon Locknut, 5/8	000972	2
12	1/2" Hex Nut	000940	4
14	Bolt, 5/8 x 3-1/2	000627	1
15	1/2" Lock Washer	000840	4
16	Lug Bolt	500210	8
17	Tire & Wheel	500220	2
18	Cap	500209	2
19	Cotter Pin	500208	2
20	Spindle Nut	500207	2
21	Spindle Washer	500206	2
22	Bearing	500202	4
23	Race	500204	4
24	Seal	500201	2

Ref#	Description	Part#	Qty
25	Spindle	505534	1
26	Double Spindle	505114	1
27	Hub Complete	500199	2
28	Nylon Locknut, 3/8	003000	2
29	Front Walking Beam, Left	505532	1
29a	Front Walking Beam, Right	505480	
30	Bolt, 3/8 x 2-1/2	000300	2
31	Grease Fitting	400117	1
32	Retaining Ring	505492	1
33	Machinery Bushing	500191	1
34	Pivot Washer	505489	2
35	Bronze Bushing	300012	2
36	Lug Nut	###	8
37	Wheel Stud	508505	8

NOTE: Quantities listed are for left side only

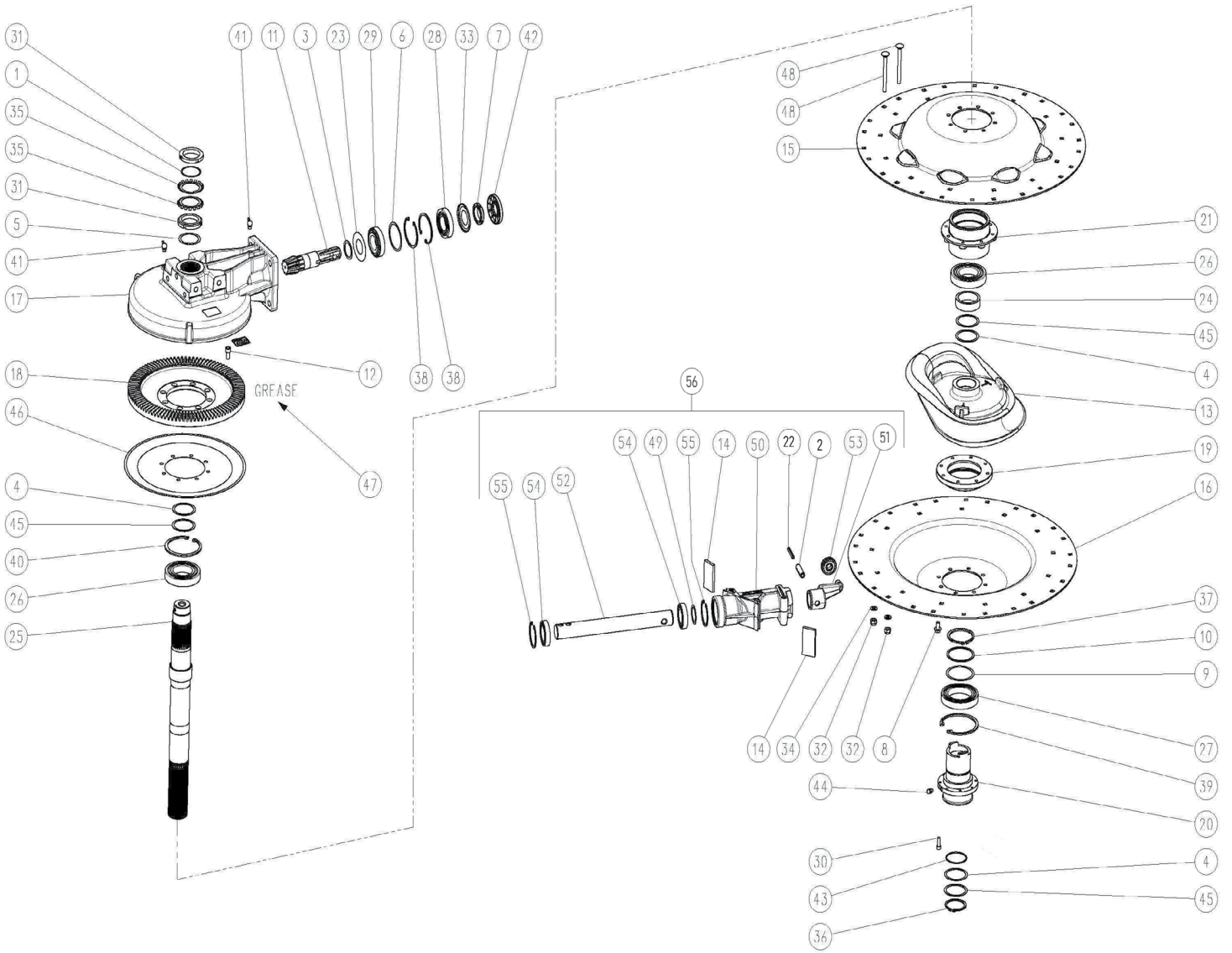
Quantities may change if extra tire option is installed

Gearbox & Stand



Ref#	Description	Part#	Qty.
1	Hex Bolt, M16 x 55	002699	4
2a	Complete Gearbox, Rear Rotor	505542	1
2b	Complete Gearbox, Front Rotor	505426	1
3a	Gearbox Base Weldment, Rear Rotor	505815	1
3b	Gearbox Base Weldment, Front Rotor	502813	1
4	5/8 Lock Washer, Zinc	000860	4
5	Nylon Locknut, 3/8	003000	6
6	Washer 3/8	001035	2
7	Compression Spring	505734	2
8	Handle Grip	401289	1
9	Pitch Handle	505566	1
10	Pitch Spring Plate	505562	1
11	Bolt, 3/8 x 4"	000310	1
12	Roller Stud, (Zinc Plated)	505681	2
13	Rubber Bumper	505269	2
14	3/8-16 x 1-1/4 Hex Head Bolt	000275	4
15	5/16-18 Nylon Lock Nut, Zinc	002999	4
16	5/16 USS Flat Washer	001030	4
17	Flanged Bronze Bushing	505099	2
18	5/16-18 x 1-1/4 Hex Head Bolt	000230	4
19	Gearbox Safety Bracket	505817	1
20	Tine Pitch Plate	505816	1
21	Tine Pitch Bracket	505818	1
22	3/8" Stover Lock Nut	900134	2
23	5/8-11 Nylon Lock Nut	000972	4

Front Rotary Gearbox

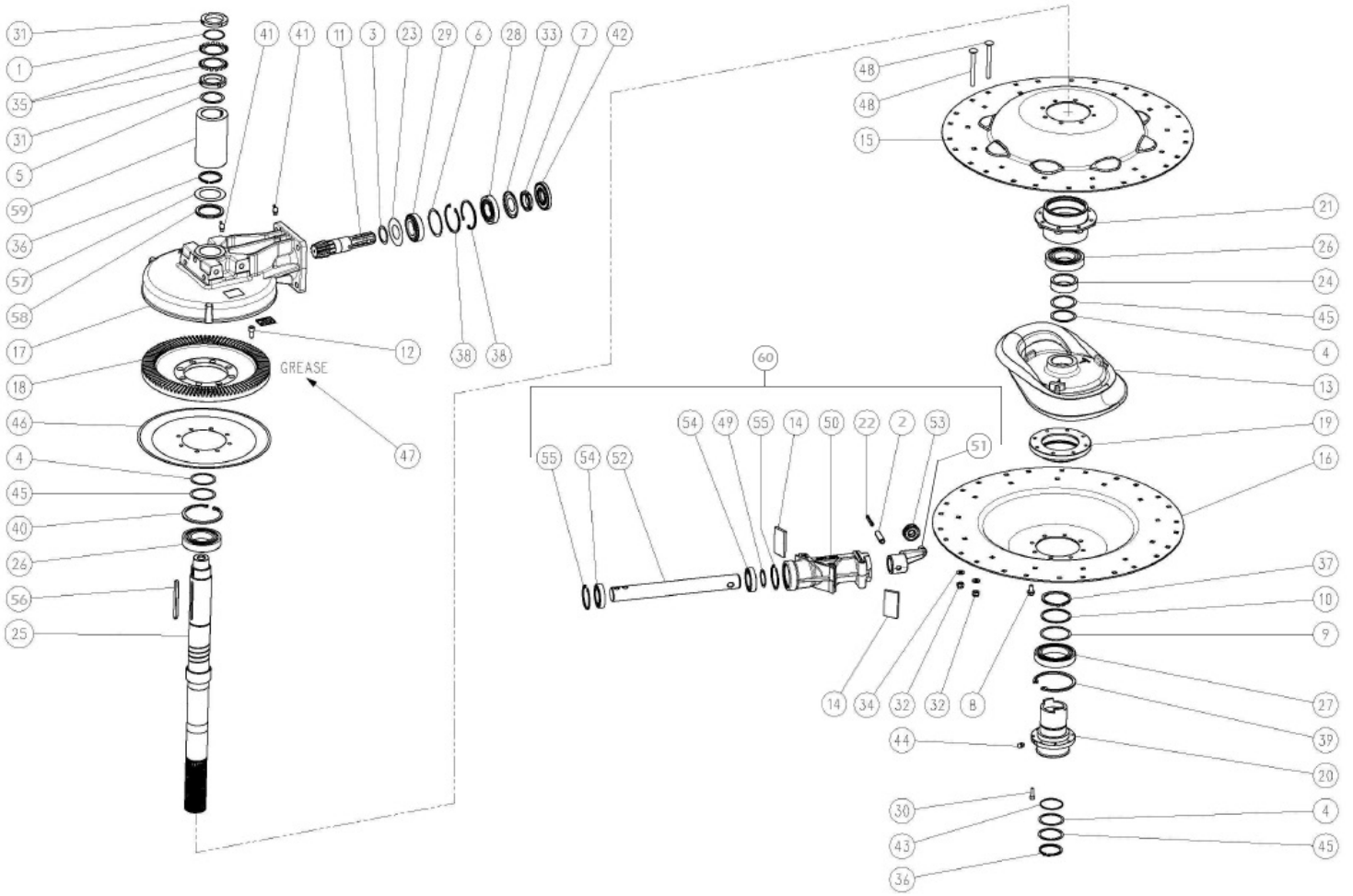


See next page for parts table

Ref#	Description	Part#	Qty
1	Shim	5PQ511010	
2	Pin	5PQ511064	1
3	Shim	5PQ502058	1
4	Shim Kit	5PQ511013	2
5	Shim	5PQ511014	2
6	Shim Kit	5PQ502068	A/R
7	Lock Nut	5PQ502066	A/R
8	Bolt	5PQ502083	A/R
9	Shim Kit	5PQ502082	1
10	Shim	5PQ511019	2
11	Pinion Shaft	5PQ502057	2
12	Bolt	5PQ502048	2
13	Cam	5PQ511022	1
14	Cover	5PQ511023	1
15	Top Cover 13 Arms	5PQ511024	1
16	Bottom Cover 13 Arms	5PQ511025	1
17	Top Cover Casting	5PQ502144	1
18	Crown Wheel	5PQ502046	1
19	Bottom cover hub	5PQ502077	A/R
20	Joint Hub	5PQ511028	2
21	Top Flange	5PQ511029	1
22	Pin	5PQ511063	1
23	Shim	5PQ502059	1
24	Spacer	5PQ511031	1
25	24 TS Center Shaft, Front	5PQ511032	2
26	Bearing	5PQ502051	A/R
27	Bearing	5PQ502078	1
28	Bearing	5PQ502063	1
29	Bearing	5PQ511036	1
30	Bolt	5PQ511037	1
31	Lock Nut	5PQ502137	A/R
32	Lock Nut	5PQ511039	1
33	Protective Washer	5PQ511040	1
34	Bolt Washer	5PQ511041	A/R
35	Spring Washer	5PQ502138	4
36	Snap Ring	5PQ511043	39
37	Snap Ring	5PQ511044	39
38	Snap Ring Hole	5PQ502062	13
39	Snap Ring	5PQ502069	13
40	Snap Ring Hole	5PQ502050	26
41	Grease Nipple	5PQ502061	26
42	Double Lip Seal	5PQ502064	26
43	O-Ring	5PQ502084	13
44	Grease Nipple M8-1.25 45 deg fitting	5PQ511051	13
45	Shim	5PQ511052	13
46	Cover	5PQ511053	13
47	Grease Gadius S2 V220AD	5PQ511054	1
48	Bolt TTQST	5PQ511055	39

Ref#	Description	Part#	Qty
49	Shim	5PQ511056	8
50	Arm	5PQ511057	1
51	Rod	5PQ511058	1
52	Shaft	5PQ511059	1
53	Bearing	5PQ511060	
54	Bearing	5PQ511061	
55	Snap Ring Hole	5PQ511062	
56	Assembly		

Rear Rotary Gearbox

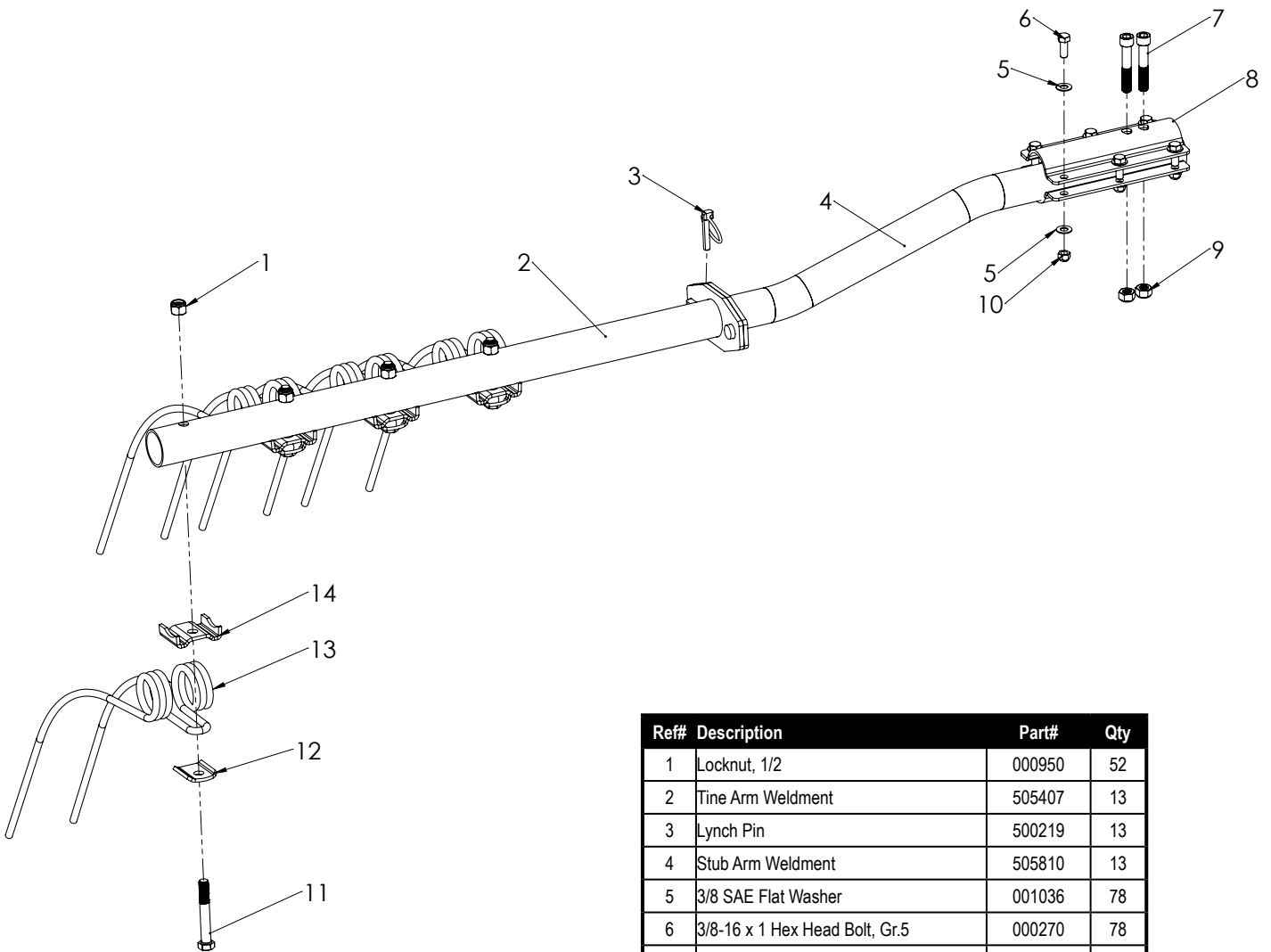


See next page for parts table

Ref#	Description	Part#	Qty
1	Shim	5PQ511010	
2	Pin	5PQ511064	1
3	Shim	5PQ502058	1
4	Shim Kit	5PQ511013	2
5	Shim	5PQ511014	2
6	Shim Kit	5PQ502068	A/R
7	Lock Nut	5PQ502066	A/R
8	Bolt	5PQ502083	A/R
9	Shim Kit	5PQ502082	1
10	Shim	5PQ511019	2
11	Pinion Shaft	5PQ502057	2
12	Bolt	5PQ502048	2
13	Cam	5PQ511022	1
14	Cover	5PQ511023	1
15	Top Cover 13 Arms	5PQ511024	1
16	Bottom Cover 13 Arms	5PQ511025	1
17	Top Cover Casting	5PQ502144	1
18	Crown Wheel	5PQ502046	1
19	Bottom cover hub	5PQ502077	A/R
20	Joint Hub	5PQ511028	2
21	Top Flange	5PQ511029	1
22	Pin	5PQ511063	1
23	Shim	5PQ502059	1
24	Spacer	5PQ511031	1
25	24 TS Center Shaft, Rear	5PQ511003	2
26	Bearing	5PQ502051	A/R
27	Bearing	5PQ502078	1
28	Bearing	5PQ502063	1
29	Bearing	5PQ511036	1
30	Bolt	5PQ511037	1
31	Lock Nut	5PQ502137	A/R
32	Lock Nut	5PQ511039	1
33	Protective Washer	5PQ511040	1
34	Bolt Washer	5PQ511041	A/R
35	Spring Washer	5PQ502138	4
36	Snap Ring	5PQ511043	39
37	Snap Ring	5PQ511044	39
38	Snap Ring Hole	5PQ502062	13
39	Snap Ring	5PQ502069	13
40	Snap Ring Hole	5PQ502050	26
41	Grease Nipple	5PQ502061	26
42	Double Lip Seal	5PQ502064	26
43	O-Ring	5PQ502084	13
44	Grease Nipple M8-1.25 45 deg fitting	5PQ511051	13
45	Shim	5PQ511052	13
46	Cover	5PQ511053	13
47	Grease Gads S2 V220AD	5PQ511054	1
48	Bolt TTQST	5PQ511055	39

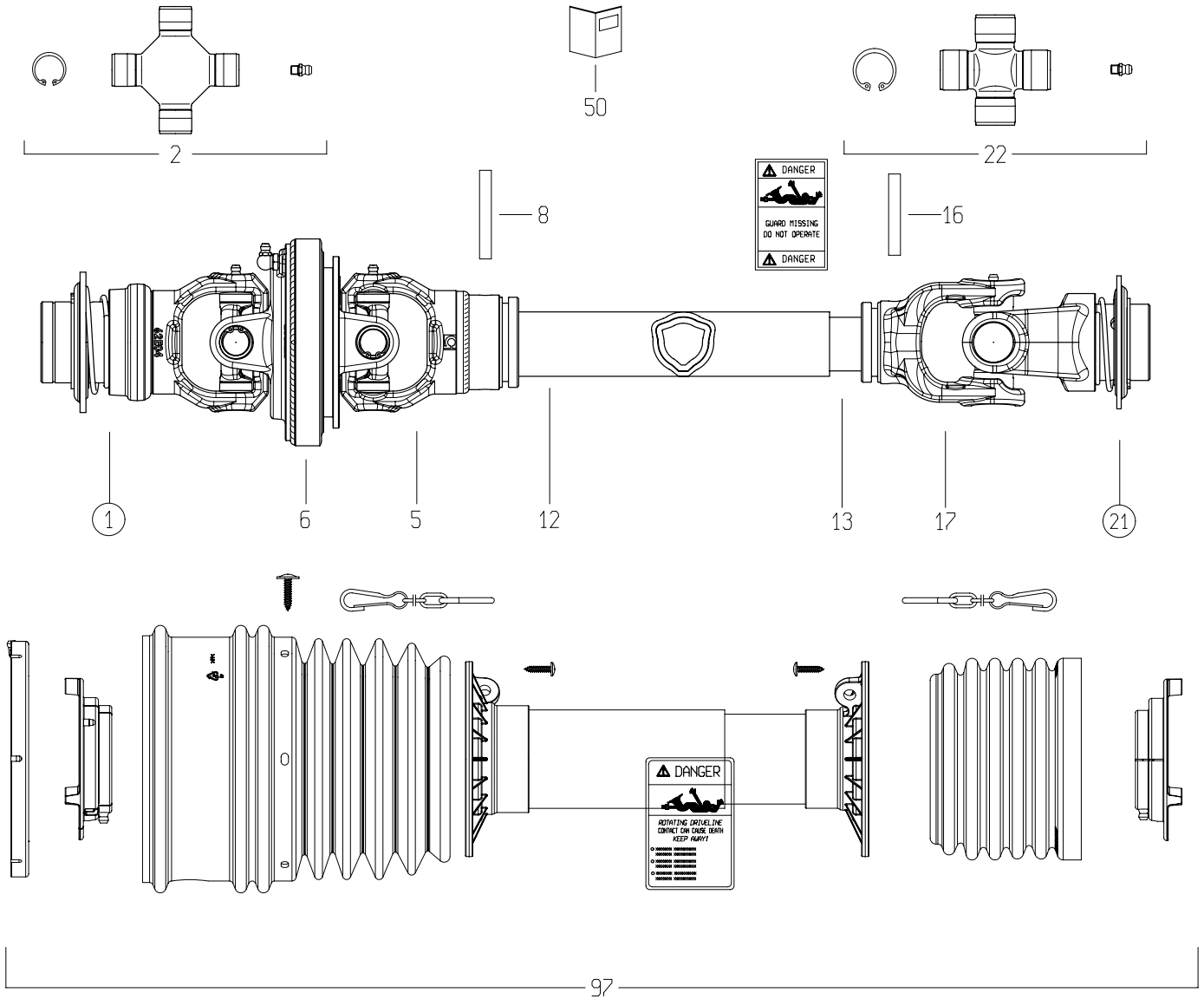
Ref#	Description	Part#	Qty
49	Shim	5PQ511056	8
50	Arm	5PQ511057	1
51	Rod	5PQ511058	1
52	Shaft	5PQ511059	1
53	Bearing	5PQ511060	
54	Bearing	5PQ511061	
55	Snap Ring Hole	5PQ511062	
56	Parallel Key	5PQ511065	
57	Shim	5PQ511066	
58	Spacer	5PQ511067	
59	Hub	5PQ505613	
60	Assembly		

Tine Arm & Tine



Ref#	Description	Part#	Qty
1	Locknut, 1/2	000950	52
2	Tine Arm Weldment	505407	13
3	Lynch Pin	500219	13
4	Stub Arm Weldment	505810	13
5	3/8 SAE Flat Washer	001036	78
6	3/8-16 x 1 Hex Head Bolt, Gr.5	000270	78
7	M12-1.75 x 70 12.9 Socket Head	002566	26
8	Stub Arm Clamp	505819	26
9	Bolt, 1/2 x 3-1/2 GR8	000482	52
10	3/8-16 Top Lock Nut, Zinc	000917	78
11	1/2-13 x 3-1/2 HHB Gr. 8	000482	52
12	Tine Washer, Flat	500319	52
13	Tine, Hay Rake	500218	52
14	Tine Clip, Formed	500318	52

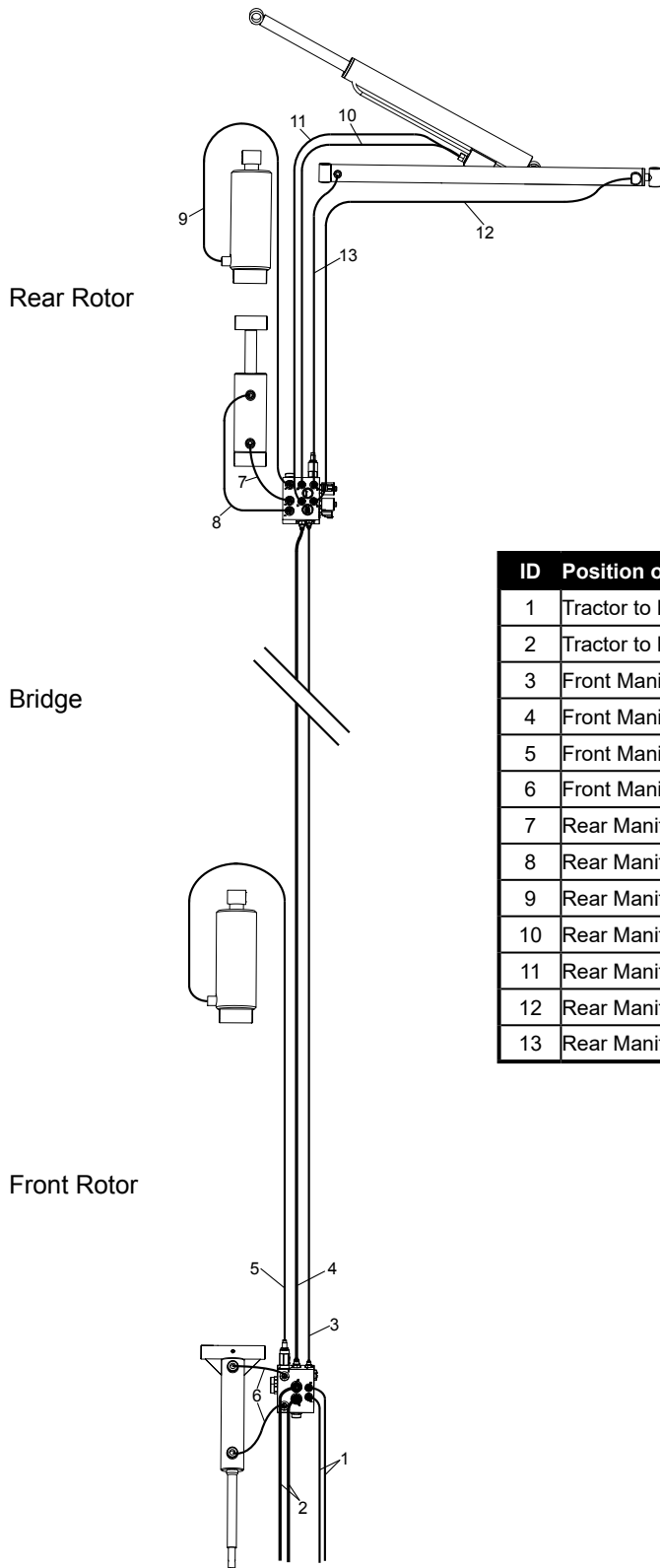
PTO Shaft Assembly



Ref#	Description	Part#
1	Yoke S4/1R4 Rt El 80°Cv 1-3/8"Z6 (Wr7)	505352
2	Cross Kit S4-1R4-G4 El 80°/50°Cv 22X86	505353
5	Yoke #4 Outer Tube (43.5) 80°Cv 1R4	505354
6	Central Body 1R4-S4-G4 80°Cv Sft El	505355
8	Flexible Roll Pin 8X60 Din1481	500430
12	Drive Tube #4 Outer Rilsan 43.5X3.1x1060	505356
13	Drive Tube #4 Inner Rilsan 36.6X4.8x1050	505357
16	Flexible Roll Pin 8X55 Din1481	500433
17	Tube Yoke #4-G4 Inner (36.0)	500434
21	Yoke #4-S4-G4 Rt Ball 1-3/8"Z6 (R07)	505358
22	Cross Kit S4-G4 27X74.6 Cap Zerk	500428
26	Shield Support Outer G3-G4	500436

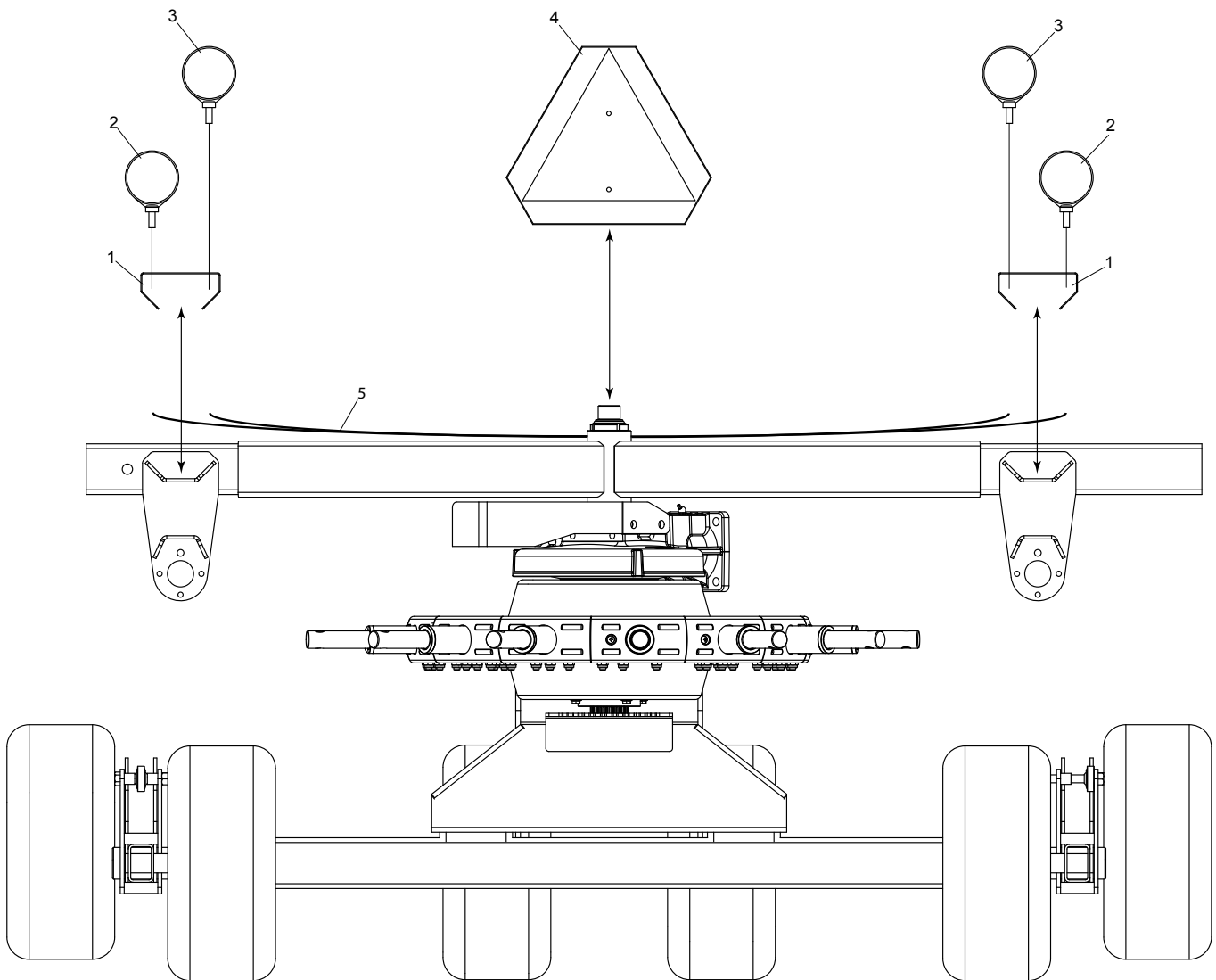
Ref#	Description	Part#
27	Shield Support S2-S4 El Cv 80° & 50°	503110
28	Screw 4.8X22 Self Tap Zinc	500417
32	Shield Support Inner G3-G4	500437
34	Screw 4.8X22 Self Tap Zinc Flange Head	503112
40	Shield Chain W/S-Hook L=500Mm	500420
48	Label - Danger - Outer Drive Tube	500421
49	Label - Danger - Outer Shield Tube	500422
50	Instruction Booklet - N.america Global	500423
97	Complete Shield Kit	505361

Hydraulic Hoses



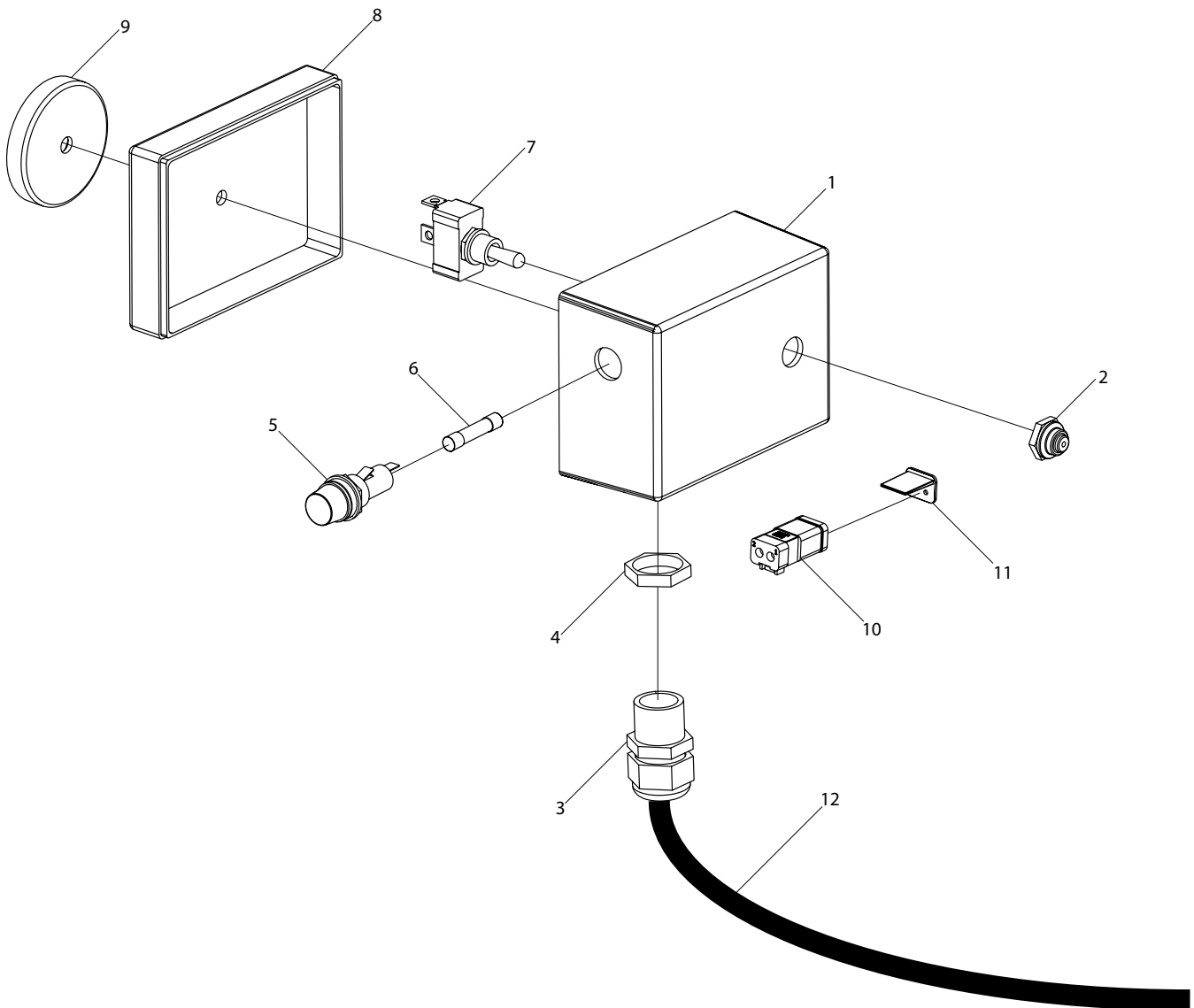
ID	Position on Rake	Description	Part#	Qty.
1	Tractor to Front Manifold	1/4" Hose x 135"	505761	2
2	Tractor to Front Manifold	1/2" Hose x 135"	505760	2
3	Front Manifold to Rear Manifold	1/4" Hose x 263"	505763	2
4	Front Manifold to Rear Manifold	3/8" Hose x 263"	505762	2
5	Front Manifold to Front Rotor Lift Cylinder	1/4" Hose x 130"	505753	1
6	Front Manifold to Front Leveling Cylinder	1/4" Hose x 27"	505754	2
7	Rear Manifold to Bridge Cylinder	1/4" Hose x 20"	505755	1
8	Rear Manifold to Bridge Cylinder	1/4" Hose x 26"	505756	1
9	Rear Manifold to Rear Rotor Lift Cylinder	1/4" Hose x 104"	505757	1
10	Rear Manifold to Swing Cylinder	1/4" Hose x 73"	505758	1
11	Rear Manifold to Swing Cylinder	1/4" Hose x 75"	505759	1
12	Rear Manifold to Curtain Cylinder	1/4" Hose x 89"	505764	1
13	Rear Manifold to Curtain Cylinder	1/4" Hose x 61"	505765	1

Lighting



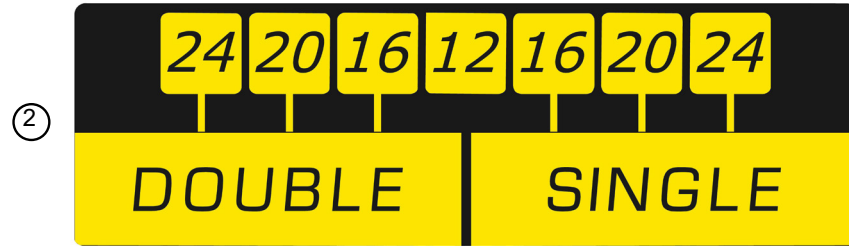
Ref#	Description	Part#	Qty.
1	Light Bracket	505667	2
2	Light, Amber/Amber	507164	2
3	Light, Red/Blank	830160	2
4	SMV Triangle	507166	1
5	Wiring Harness	505104	1

Switch Box



Ref#	Description	Part#	Qty.
1	Switchbox Cover	830399	1
2	Toggle Boot	507413	1
3	Strain Relief Cord Connector	507415	1
4	1/2" NPT Locking Nut	507414	1
5	Fuse Retainer	507402	1
6	10 Amp AGC™ Fuse	507403	1
7	SPST On-Off Toggle Switch	830353	1
8	Switchbox Base	830398	1
9	Cup Magnet	800450	1
10	Housing	290052	2
11	Wedgelock	290028	2
12	Complete Wiring Harness Kit	505104	1

Decals



Ref#	Description	Part#	Qty
1	Pequeea TS-24 Decal	903157	2
2	Rake Width Decal	903158	1
3	Control Box Decal	903159	1
4	Important Decal	903126	1
5	PTO Entanglement	903102	1
6	Caution, General Information	903103	1
7	Caution, 540 RPM	903107	1
8	Important, PTO Speed	903116	1
9	Warning, Prevent Entanglement	903123	2
10	Warning, Thrown Objects	903106	2
11	Warning, Speed	903124	1
12	Warning, Hydraulic Pressure	903114	1
13	Warning, Lock-up Valve	903125	1
14	Decal, Red Retroreflective	903112	2
15	Decal, Amber Retroreflective	903121	1
	Complete Decal Kit, HR24TS	505750	1