

SUNFIRE®



SF120 RADIANT HEATER

Parts Manual



4109 Capital Circle Drive | Janesville WI, 53546

sunfireheaters.com | +1 (855) 251-1649



Table of Contents

Table of Contents, Using this Catalog.....	2
Unit Assembly.....	3-4
Frame/Tank Assembly.....	5-6
Dome Assembly.....	7-8
Burner Assembly.....	9-10
Nozzle Block Assembly.....	11
Electrical Bracket Assembly.....	12

Using this Catalog

To use this catalog, follow these easy steps:

1. Determine what Assembly or Component you wish to order.
2. Reference the Table of Contents above to determine the page the part is located on.
3. Use the exploded views to locate the part Item Number, then cross reference the number in the table.

-or-

Scan through the tables and use any of the information provided to locate the part.

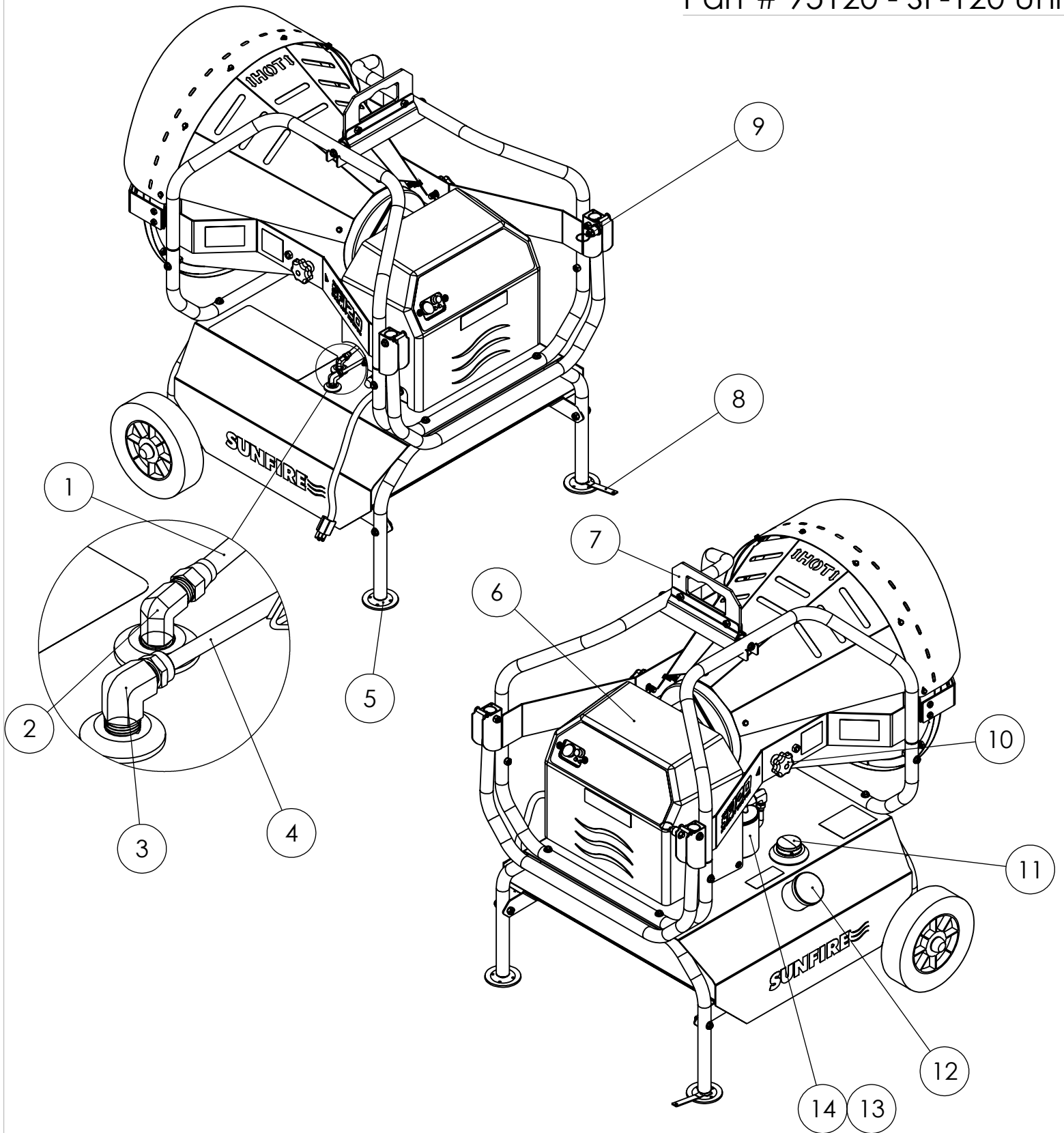
Note: Drawings are not to scale.

General Information

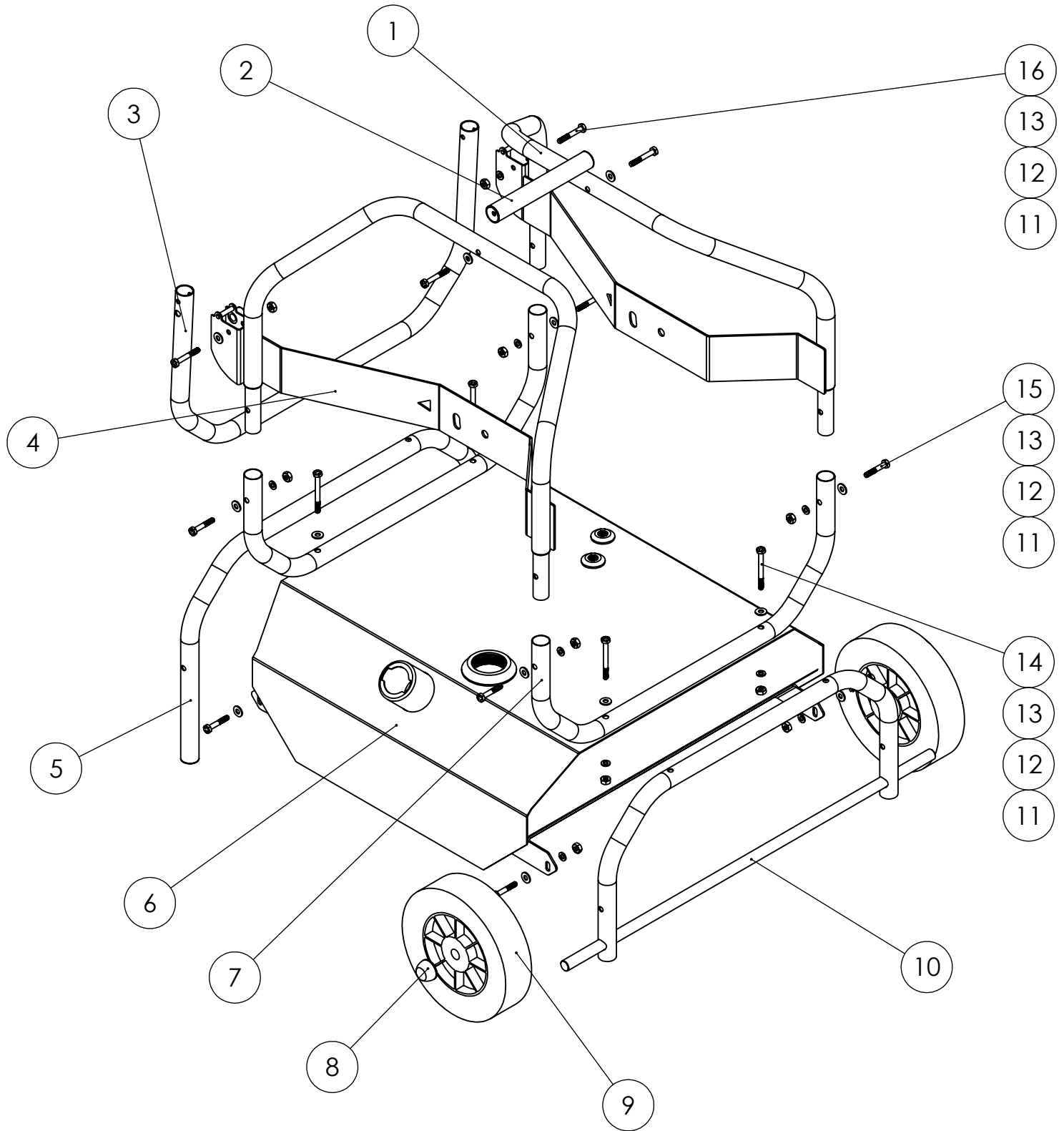
- All content in this catalog is subject to change without notice.

Product and Price Information

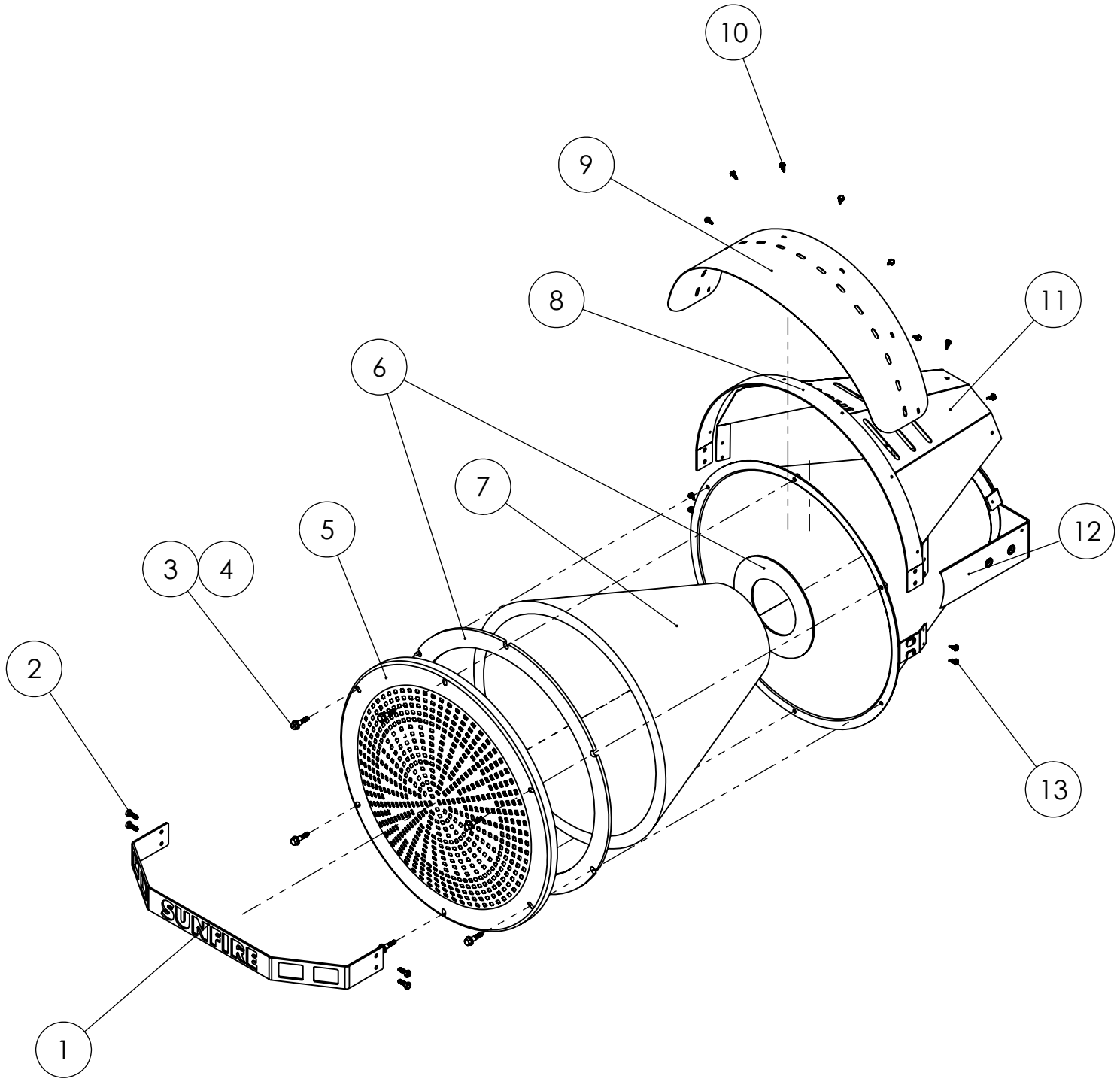
1. Specifications and availability of products are subject to change without notice.
2. Descriptions may not reflect current technical information.
3. Any typographical, photographic, drawing or specification error in products or pricing is subject to correction.
4. Products shown are not to scale.
5. Products may vary in appearance.
6. Advertising and selling parts over the internet is prohibited.



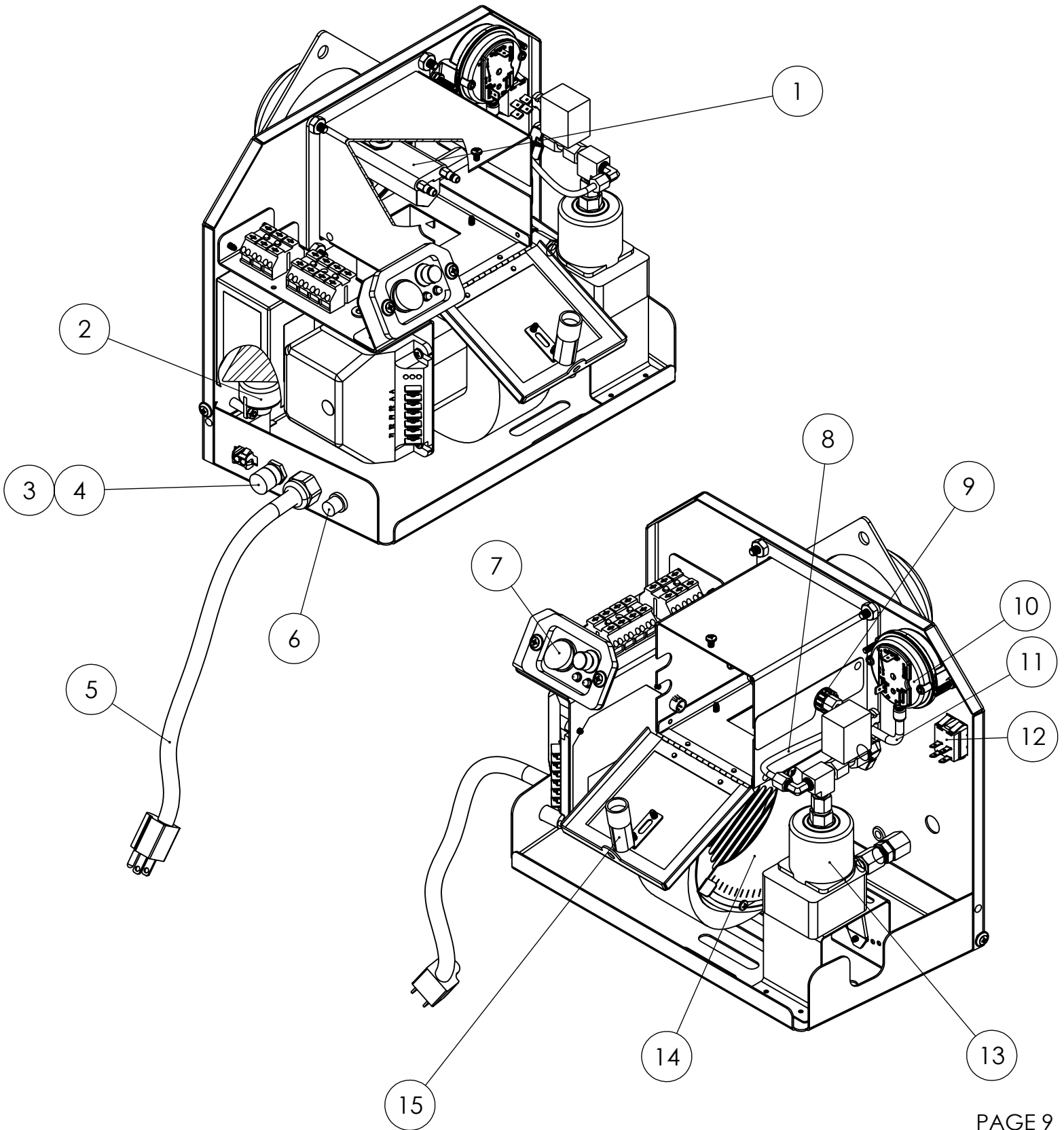
ITEM NO.	PART NUMBER	DESCRIPTION
1	81010876	Suction Line Hose
2	81010887	Assembly - Draw Tube - SF-120
3	81010880	1/4" NPT 90° Elbow x 1/4 OD Compression
4	81010881	Prime Line - SF-120
5	81011053	Threaded Foot Pad
6	81011214	Cover w/ Labels - SF-120 Burner
7	81010926	Assembly - Crane Bracket
8	81011055	SF-120 Wrench
9	81010932	Locking Pin
10	81010932	Plastic Knob
11	81010885	Fuel Guage
12	81010884	Fuel Cap
13	81010874	Fuel Filter
14	29402	Filter Heater



ITEM NO.	PART NUMBER	DESCRIPTION
1	81011216	Upper Frame Left w/ Labels- SF-120
2	81011001	Assembly - Crossbar with Inserts
3	81010798	Tube - Handle
4	81011215	Upper Frame Right w/ Labels - SF-120
5	81010923	Foot Pad Tube - SF-120
6	81011217	Assembly - Tank w/ Labels - SF-120
7	81010764	Frame Tube Lower SF-120
8	34505	5/8 Push on Wheel Retainer
9	81010768	8" WHEEL
10	81011000	Tube Axle - SF-120
11	81010968	1/4-20 Hex Nut Black-Oxide
12	81010967	Black-Oxide SS Split Lock Washer
13	81010966	Black-Oxide 18-8 SS Washer
14	81010965	1/4-20 x 3" Hex Head Black-Oxide Bolt
15	81010963	1/4-20 x 1-1/2" Hex Head Black-Oxide Bolt
16	81010964	1/4-20 x 1-3/4" Hex Head Black-Oxide Bolt



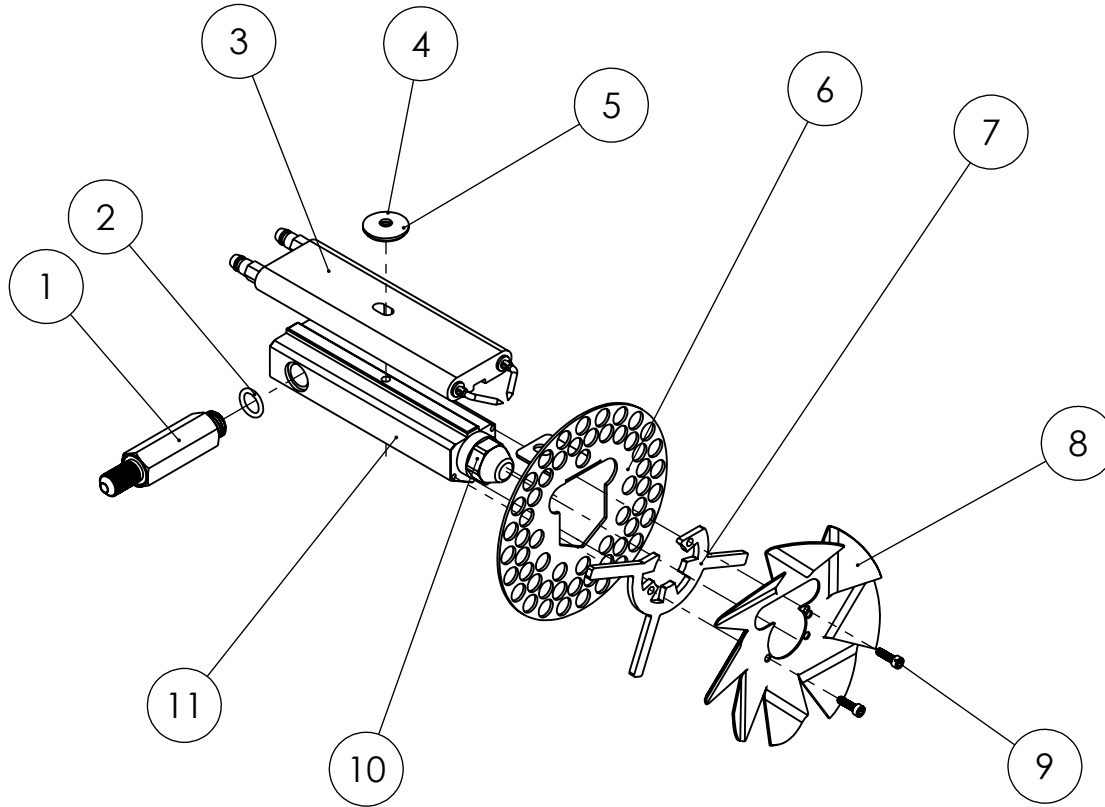
ITEM NO.	PART NUMBER	DESCRIPTION
1	81010761	Flame Guard
2	81010959	Screw - 1/4-20" x 3/4 SS Hex Head
3	81010958	SS Shoulder Bolts
4	81011036	Washer - 5/16ID, .094Th, SS
5	81010757	Dome Face - SF-120
6	81010795	Gasket - Dome Gasket
7	81010762	Dome Insulation - SF-120
8	81010793	Mounting Ring - SF-120
9	81010760	Visor - SF-120
10	7014	Screw - #10 X 1/2 IN Galv TEK
11	81010759	Heat Shield - SF-120
12	81010937	Weldment - Dome
13	81010960	Screw - #10 x 1/2 Blk TEK



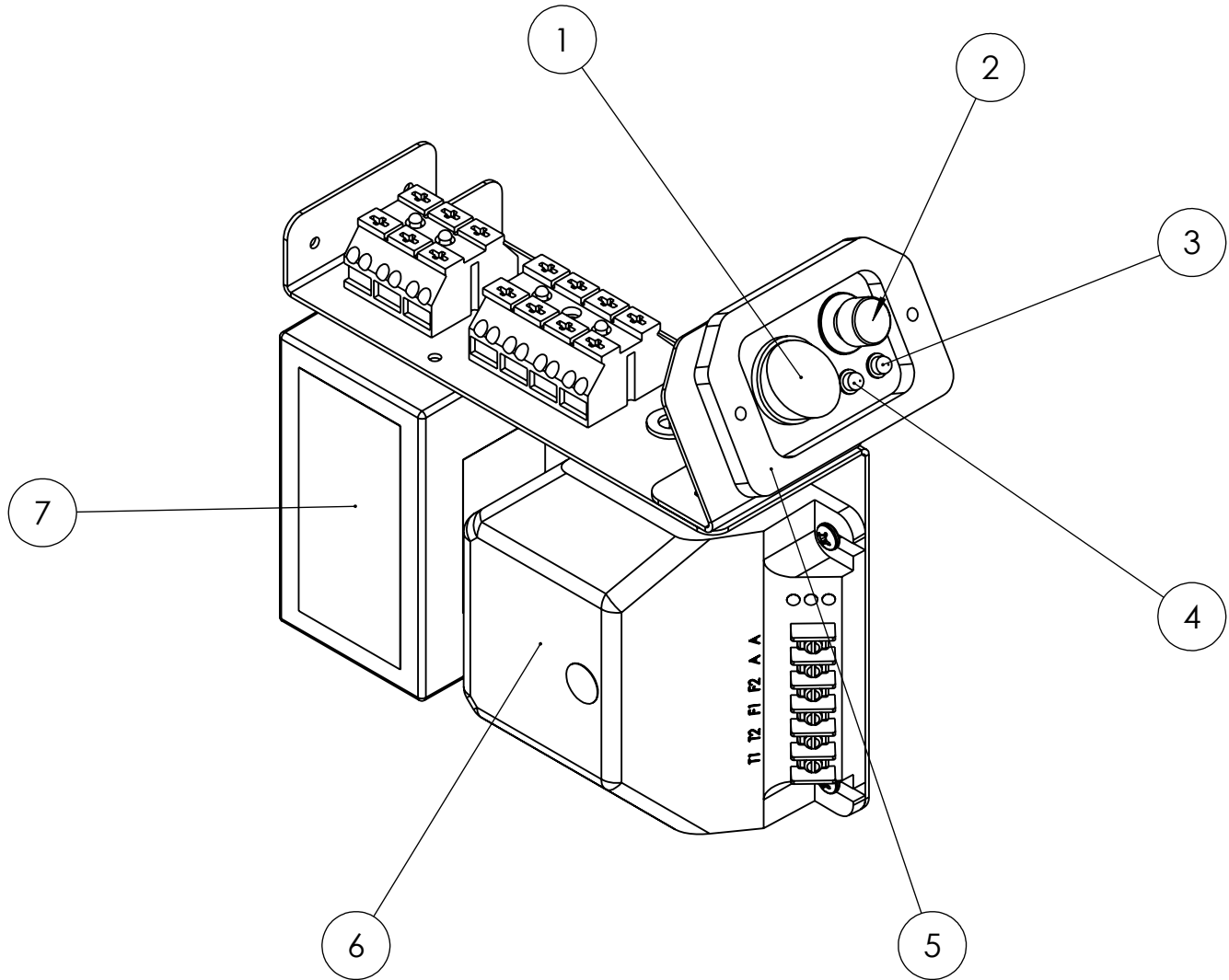
ITEM NO.	PART NUMBER	DESCRIPTION
1	81010607	Assembly - Nozzle Block
2	29450	Tip Switch
3	76000841	Fuse Holder
4	20510113	Fuse - FA 8A 250V
5	29437	Power Cord
6	33168	Light - LED Amber
7	81010978	Assembly - Electrical Bracket
8	20410110	Knurled Nut
9	81010896	Pressure Switch SF-120
10	81011107	Tube - Pressure Swtich
11	81010893	Prime Switch - DPDT - Momentary
12	81010872	Assembly - Pump with Fittings
13	81010604	Assembly - Blower - SF-120
14	81011210	Copper Line
15	8981	Cad Cell
16	81010597	Ignition Cables - SF-120*

* - Not displayed in Diagram

Part # 81010607 - Nozzle Block Assembly



ITEM NO.	PART NUMBER	DESCRIPTION
1	81010612	Fitting - Bulkhead - SF 120
2	06001386	O-Ring - Viton
3	81010611	Electrode Assembly, SF-120
4	20410117	Screw, 8-32 x .625 - Slotted Hex Washer Head
5	20410115	#8 X 3/4" Electrode Washer
6	81010873	Perforated Preheater Plate
7	81010867	Center Device - SF-120
8	81010609	Spinner - SF 120
9	81010952	SCREW - 4-40 X 3/8 SOCKET HEAD CAP
10	13154	NOZZLE - SF-120
11	81010610	Nozzle Block - Hex - SF 120



ITEM NO.	PART NUMBER	DESCRIPTION
1	29449	Power Switch - On/Off
2	81010629	Button - Reset - SPST Momentary
3	81010628	Light - LED Red
4	81010627	Light - LED Green
5	81010868	Gasket, Transformer Door - SF 120
6	37502	Primary Control - SF 120
7	37501	Electric Igniter - SF-120