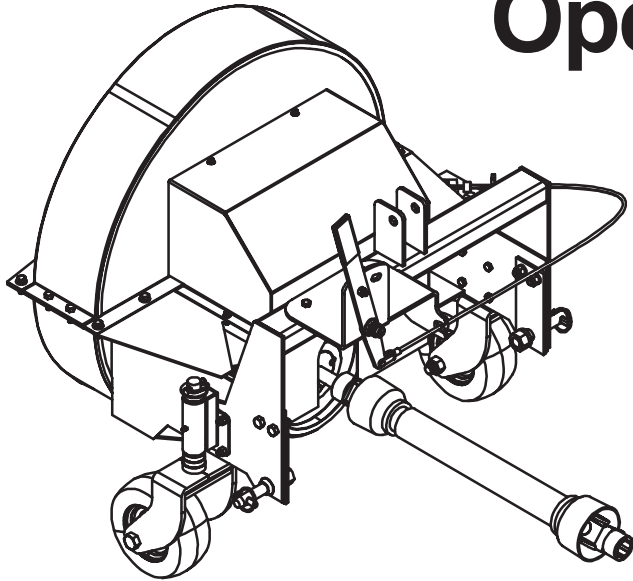


HARPER[®]
Goossen

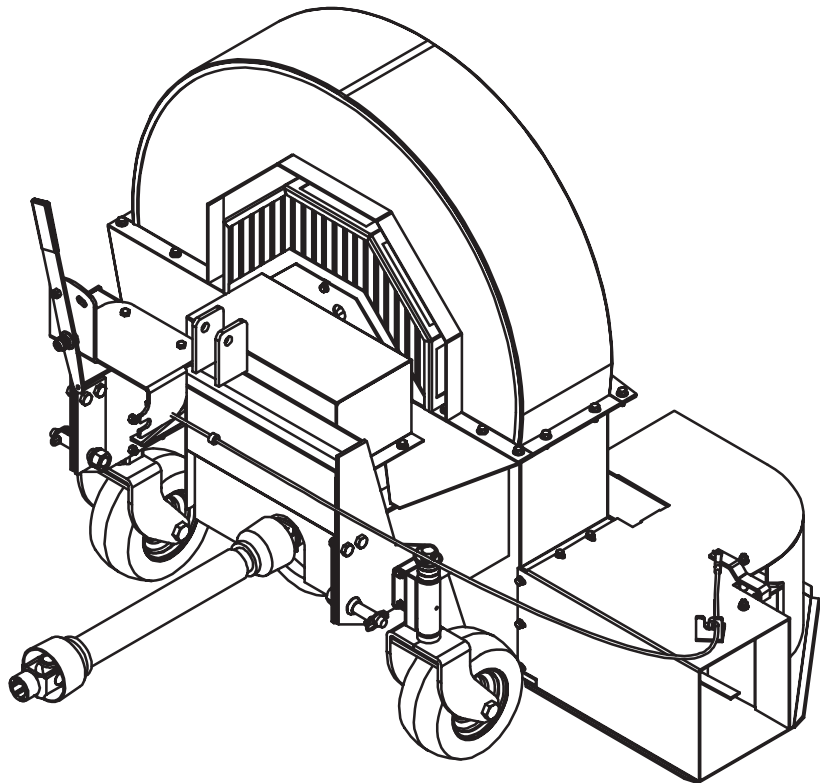
Debris
Blower

Operator's Manual



DB2700

DB3600



Thank you for purchasing a Harper/Goossen Debris Blower.

As with all Harper/Goossen products, the Debris Blower has been developed through tough design and testing procedures to provide a machine you can rely on. This manual gives assembly, operating, and service information for Model DB2700 and DB3600 Debris Blowers. **Please read and understand all instructional materials included with the Debris Blower before assembling and operating the equipment.**

A Debris Blower can present hazards to an operator who follows unsafe procedures in either the operation or maintenance of the unit. Therefore, **SAFETY WARNINGS** are presented at certain locations in the text. Harper Industries is not responsible for accidents or injuries that result from the misuse or lack of maintenance of the Debris Blower.

SYMBOL:



SAFETY WARNING!

MEANING: Failure to understand and obey this warning may result in injury to you or others.

Whenever this symbol is used, please pay very close attention to the information presented, and make sure you fully understand. If you do not, contact your dealer or Harper Industries for clarification.



SAFETY WARNING!

ALL SHIELDS AND GUARDS MUST BE IN PLACE FOR PROPER AND SAFE OPERATION OF EQUIPMENT. WHERE THEY ARE SHOWN REMOVED IN THIS MANUAL, IT IS FOR PURPOSES OF ILLUSTRATION AND INSTRUCTION ONLY. DO NOT OPERATE THIS EQUIPMENT UNLESS ALL SHIELDS AND GUARDS ARE IN PLACE.

Harper Industries, Inc., is continually striving to improve the design and performance of its products. We reserve the right to make changes in specifications and design without thereby incurring any obligation relative to previously manufactured products.

Copyright © 2003 Harper Industries, Inc.

The Goossen and Harper/Goossen name are registered trademarks of Harper Industries, Inc. All other brand and product names are trademarks or registered trademarks of their respective companies.

LIMITED WARRANTY

The Harper/Goossen Debris Blower is warranted against defects in workmanship and materials for a period of TWELVE MONTHS from the date of retail purchase to the original purchaser.

Harper Industries will repair or replace, at our option, any part that our examination shows to be defective. Warranty is limited to parts, labor and ground freight delivery of replacement parts. The user will pay freight charges for parts submitted under this warranty.

No product or part may be returned for warranty consideration without prior approval from Harper Industries.

This warranty does not apply to parts subjected to misuse, abuse, alteration, improper or inadequate maintenance, or normal wear (including belts and knives).

RECORD

Date of Purchase _____ / _____ / _____

Dealer's Name _____

Dealer's Phone _____

Serial Number-Machine _____

Table of Contents

Debris Blower Specifications.....	4
Safety Section.....	5
Control Identification.....	7
Assembly.....	8
Operation.....	8
Adjustments.....	10
Service and Maintenance.....	10
Troubleshooting.....	11
Standard Torque Chart.....	11
DB3600:	
Components.....	12
Diverter Kit.....	14
Fasteners.....	16
PTO Shaft (Serial No.s 02A01 – 03A50).....	18
PTO Shaft (Serial No.s 03A51 and above).....	19
DB2700:	
Components.....	20
Diverter Kit.....	22
Fasteners.....	24
PTO Shaft.....	26
Safety Decals.....	27

Debris Blower Specifications

Air Flow:	3600 2700	7100 CFM (approx. 225 miles per hour) 4000 CFM (approx. 220 miles per hour)
Noise:	3600 2700	94 decibels (At operator in tractor seat.) 81 decibels
Blower Housing:	3600 2700	40" (Split design for easy fan replacement.) 31"
Fan:	3600 2700	36" diameter 27" diameter
Drive:		540 RPM PTO belt drive
Belt Drive:		4 – 5VX530 V-belts with automatic tensioner 1 – 4/3VX425
Tractor Mounting:		3 Point Hitch - Category #1
Casters:	3600 2700	Heavy-duty 10" adjustable caster wheels Heavy-duty 8" adjustable caster wheels
Anti-Scalp:		Tough 3" diameter rollers
Dimensions:	3600 2700	Length 48", Width 64", Height 45" Length 43", Width 48", Height 36"
Air-Flow Control:		Bi-directional discharge (left or right) controlled from operator seat.
Approximate Weight:	3600 2700	825 lbs. 425 lbs.
Power Requirement:	3600 2700	30 hp at PTO (minimum) 20 – 30 hp at PTO

Superior construction in every model:

Every Harper/Goossen Debris Blower has a durable polyester baked paint finish, with epoxy primer applied to cover completely and keep moisture out. This finish is extremely strong, and resists chipping and cracking.

Safety Section

Equipment & Controls

- Altering this equipment in any manner which adversely affects its operation, performance, durability, or use will void the warranty and may cause hazardous conditions.
- Know the location and function of all controls and how to stop this equipment quickly in an emergency before you operate the equipment.
READ AND UNDERSTAND THE OWNER'S MANUAL.
- Keep all nuts, bolts and screws tight to help ensure safe operation of this equipment.
- Use genuine factory parts or parts with equivalent characteristics, including type, strength and material. Failure to do so may result in product malfunction and possible injury to the operator and/or others.
- Replace locknuts and locking screws if you can tighten them without feeling considerable resistance for several turns before they are completely tight. Replace them with factory authorized parts or their equivalent.
- If hardware is not secure, or if some of the hardware is over-tightened, equipment failure may result, posing possible safety hazards.

Guards & Shields

- Keep the equipment and attachments in good operating condition, and keep all safety devices in place. Replace all worn, damaged, unusable, missing or lost safety shields and guards before operating the equipment.

Safety Decals

- If safety related or instructional decals become illegible or are removed, replace them immediately.
- If you replace parts that have such decals attached to them, make sure the decals are replaced with current versions, and that the decals are on the replacement parts before the machine is operated again.
- New decals may be obtained from your local Goossen Dealer.



SAFETY WARNING!

- **To prevent possible eye injury, always wear SAFETY GLASSES while servicing the equipment.**

Before Operation

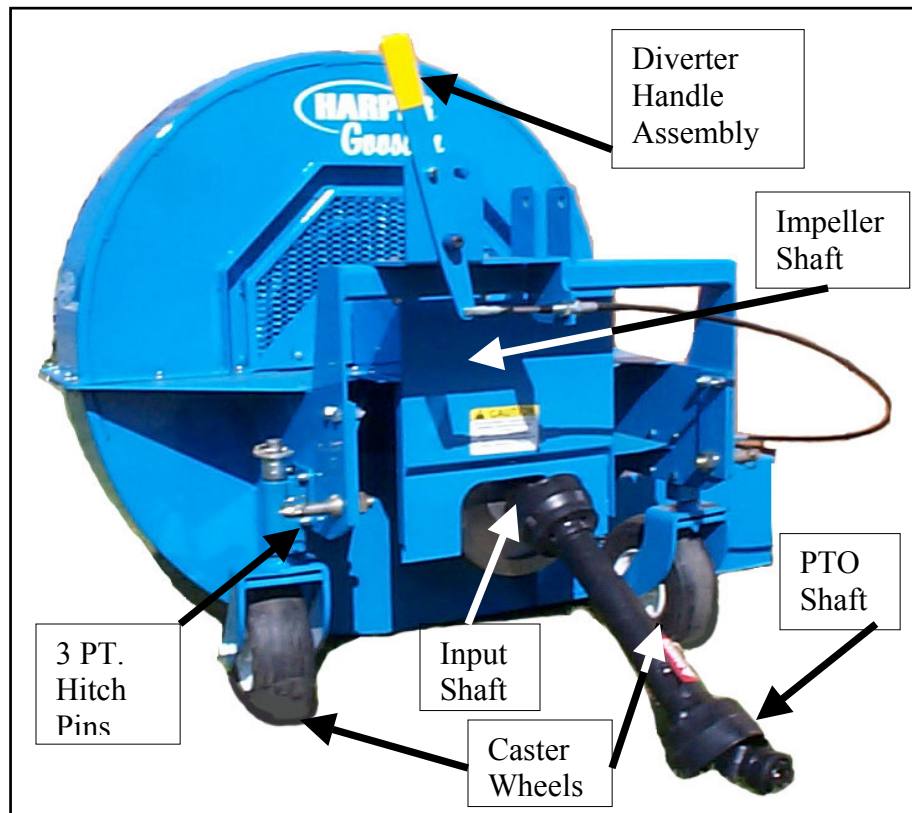
- Before operating this equipment, read and understand the Owner's Manual.
- Do not allow children to operate this machine.
- Never operate this machine in the vicinity of bystanders.
- Before servicing or inspecting the machine, make certain that the power source is shut down, make certain all moving parts have stopped and disconnect the PTO shaft.

- Never allow hands, clothing or any part of the body to enter the discharge chute or near moving parts.
- Avoid wearing loose-fitting clothing.
- Wear approved eye and ear protection while operating the machine.
- The machine should be operated on level surfaces only.
- Before starting the machine, visually inspect all nuts, bolts and other fasteners to see that they are properly secured. Nuts, bolts and other fasteners should be checked every 8 to 10 hours of operation for proper alignment and tightness.
- Keep all safety shields and guards in place and in good working condition.
- Keep your face and all body parts away from inlet and discharge openings.
- Stay away from the discharge area when machine is in operation.
- If the Debris Blower should become clogged, shut off the engine or PTO and allow it to come to a complete stop. Disconnect the spark plug wire from the spark plug or PTO shaft before clearing debris.
- Do not allow hands, clothing or any part of the body to enter the discharge chute, impeller inlet or near any moving parts.

Operation

- Make certain the impeller chamber is empty before starting the machine.
- If a foreign object should strike the impeller mechanism of the machine and cause an unusual noise or vibration, shut the engine or PTO off immediately and allow it to come to a complete stop. Disconnect the spark PTO shaft from the power unit, and then do the following:
 1. Inspect for damage.
 2. Repair or replace any damaged parts.
 3. Check for and tighten any loose bolts, nuts, fasteners or parts.
- Keep debris material from building up in the discharge and inlet area, as this may prohibit proper discharge of airflow and can cause poor performance.
- Keep the impeller inlet area clean from debris and other accumulations.
- Replace damaged or missing safety decals.
- Keep hands, feet and clothing away from PTO driven parts.
- Keep all guards and shields in place during operation. Disengage PTO and shut off the engine before removing guards or shields.
- Never attempt to adjust, clean or lubricate the machine while it is in operation.
- Operator should never wear loose clothing when working around PTO.
- Before starting tractor, make sure that the transmission and PTO are disengaged.
- Make sure the tractor's engine is at idle speed before engaging the PTO.
- Be sure the tractor's engine is at idle before changing the airflow of the Debris Blower Diverter.

Control Identification



1. **PTO Shaft** – Transfers power from the tractor to the Debris Blower. Make sure up or down angle of PTO shaft does not exceed 15 degrees. **(2 grease fittings)**
2. **3-Point Hitch Pins** – Mount the Debris Blower to the 3-point hitch pins.
3. **Input Shaft** – Driven by the PTO shaft. Always disconnect the PTO from the tractor when performing maintenance. **(2 grease fittings)**
4. **Diverter Handle Assembly** – Changes direction of discharge air flow. Make sure handle is locked into place before operating.
5. **Belt Tensioner** – Spring loaded and keeps the belts within proper tensioning.
6. **Impeller Shaft** – Belt driven by input shaft. **(2 grease fittings)**
7. **Caster Wheels** – Carry weight of machine during operation when 3-point hitch is in float position. **(1 grease fitting per wheel)**



SAFETY WARNING!

Keep all safety shields in place during operation.

Assembly

1. Remove from crate.
2. Mount Diverter Handle Assembly to the frame of the machine with the two 3/8" bolts already in the frame.
3. Connect PTO shaft to input shaft of machine, tighten set screws on shaft.
4. Mount 3-point pins on Debris Blower.
5. Mount Debris Blower to 3-point of tractor and connect PTO shaft.

Note:

A set of belts between the PTO shaft and the impeller shaft assembly drive the fan blades whenever the PTO driveshaft is turning.

*On initial operation of the Debris Blower, the **belts may shrink** and need readjustment after the first hour of use. When readjusting belt tension, use a straightedge across the faces of pulleys to make sure they are properly aligned and the belts will run true.*



SAFETY WARNING!

- Keep pants and loose clothing away from PTO drive and shaft and all drive pulleys, belts and shafts.
- Never operate the Debris Blower beyond the suggested 540 PTO speed.
- Do not attempt to service machine while it is in operation.

Operation



SAFETY WARNING!

- Wear approved eye and ear protection while operating the Debris Blower.
- Keep all guards in place during operation. Never operate the Debris Blower with safety shields removed.
- Before operating the machine, check to ensure that all belt guides and tensioner are in place to prevent belts from slipping off the pulleys and systems from being accidentally engaged.
- Check inlet and discharge housings for children, pets and foreign objects before operating.
- Keep clothing and all body parts away from rotating parts. Do not wear loose fitting clothing.
- Periodically clean debris material away from the machine to lessen the possibility of fire. Always keep a fire extinguisher near the Debris Blower during operation.
- Impeller blade rotation cannot be controlled from the Debris Blower.
- Obtain and wear safety glasses when operating this machine.

Note:

A safe operator is one who practices safety and uses good common sense to protect himself from flying material.

To begin operation:

1. Mount Debris Blower to 3-point of tractor and connect PTO shaft to tractor output shaft.
2. Adjust center link on tractor so that the Debris Blower is setting level at the ground surface while 3 point hitch is in FLOAT position.
3. Move Diverter Handle to the desired output direction.
4. Engage PTO lever on the tractor AT IDLE SPEED of the tractor and begin operation of the Debris Blower.
5. If the operator needs to change direction of airflow of the diverter, make sure the tractor is at idle speed.
6. If it is necessary to inspect or work on the Debris Blower, always disengage the PTO shaft and shut off the tractor engine before doing so.



SAFETY WARNING!

- Belts may become severely damaged by engaging PTO shaft at high RPM.
- To avoid personal injury, always keep face and body parts away from inlet and discharge openings.
- Never leave this machine unattended.
- Make sure the tractor engine has been shut off and the PTO shaft has been disconnected before attempting any service or inspection.

To stop operation:

1. Move throttle on tractor to the slow position and disengage the PTO lever on the tractor.
2. Shut off the tractor engine and allow the machine to come to a complete stop.



SAFETY WARNING!

- The Impeller is heavy and will continue to turn even though the operator has shut off the power source.
- Do not attempt to service or inspect the machine until you see that the shafts have stopped turning and that there is no noise coming from the machine.

Adjustments

Belt Tension Adjustment

- Check the condition of drive belts before each use or after every 25 hours of operation.

Note:

Use only industrial V-belts. Do not use automotive belts.

Do not over-tighten belts. Excessive tension can cause premature bearing and belt failure.

Use a straightedge to check alignment across the faces of pulleys after adjusting belt tension to ensure that the belts will run true.

Cable Adjustment

- Check the condition of the diverter cable before each use or after every 25 hours of operation.



SAFETY WARNING!

- **Never operate Debris Blower without ALL GUARDS in place.**

Service & Maintenance



SAFETY WARNING!

- **Before servicing or inspecting the Debris Blower, make sure the power source is shut off and all moving parts have stopped.**
- **Disconnect the PTO shaft from the tractor.**
- **Always wear safety glasses and protective gloves when servicing the Debris Blower.**

Break-in Service

After the first hour of use:

1. Check belts. Re-tension if needed.
2. Tighten set screws on bearings.
3. Check nuts, bolts and fasteners to see that they are secure.

Lubrication

1. Lubricate grease fittings on unit after **every 15 hours** of use.
2. There are **8 grease fittings** on the unit:
 - ✓ 2 on the PTO Shaft
 - ✓ 2 on the Input Shaft
 - ✓ 2 on the Impeller Shaft
 - ✓ 1 on each Caster Wheel (2)

Troubleshooting

Belts:

Problem:	What to Check:
Belts Slip	<ul style="list-style-type: none"> • Tension adjustment. • Load may be excessive. • Bearings may have seized.
Problem:	What to Check:
Belts wear rapidly, jump, catch or twist.	<ul style="list-style-type: none"> • Pulleys may not be properly aligned. • Check with straightedge across faces of pulleys.

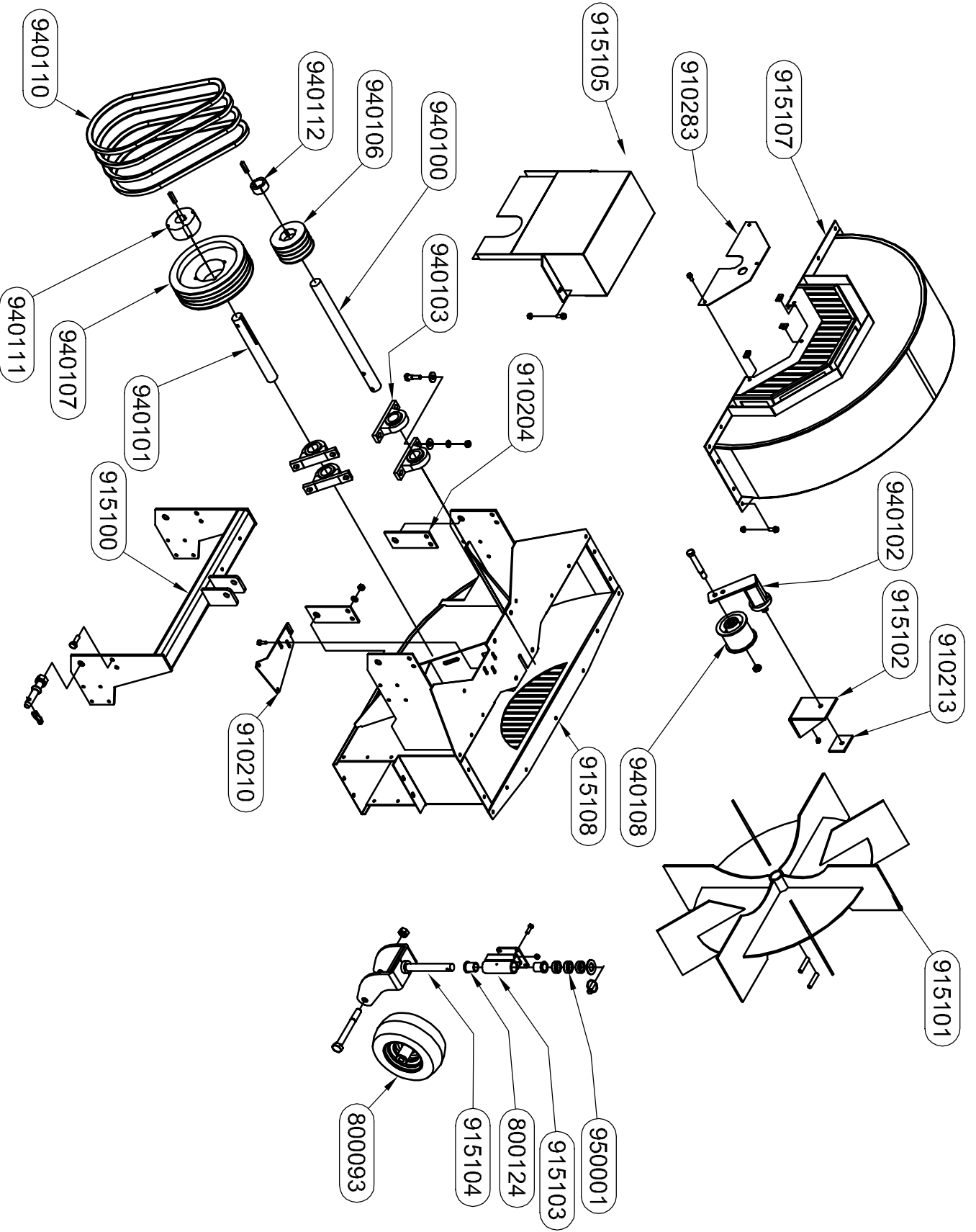
Standard Torque Chart

Size	In-Lbs	Ft-Lbs	N-m
No. 10-24	25-35	5-7	2.8-4.0
¼ in.	60-80	18-20	7-9
5/16 in.	120-140	28-30	14-16
3/8 in.	340-360	64-74	24-27
½ in.		126-150	90-100

Note:

When tightening two or more screws on the same part, DO NOT tighten screws completely right away, or one at a time. To avoid distortion, first tighten all screws in sequence to one-third of torque value, then tighten to two-thirds of torque value, then tighten to full value.

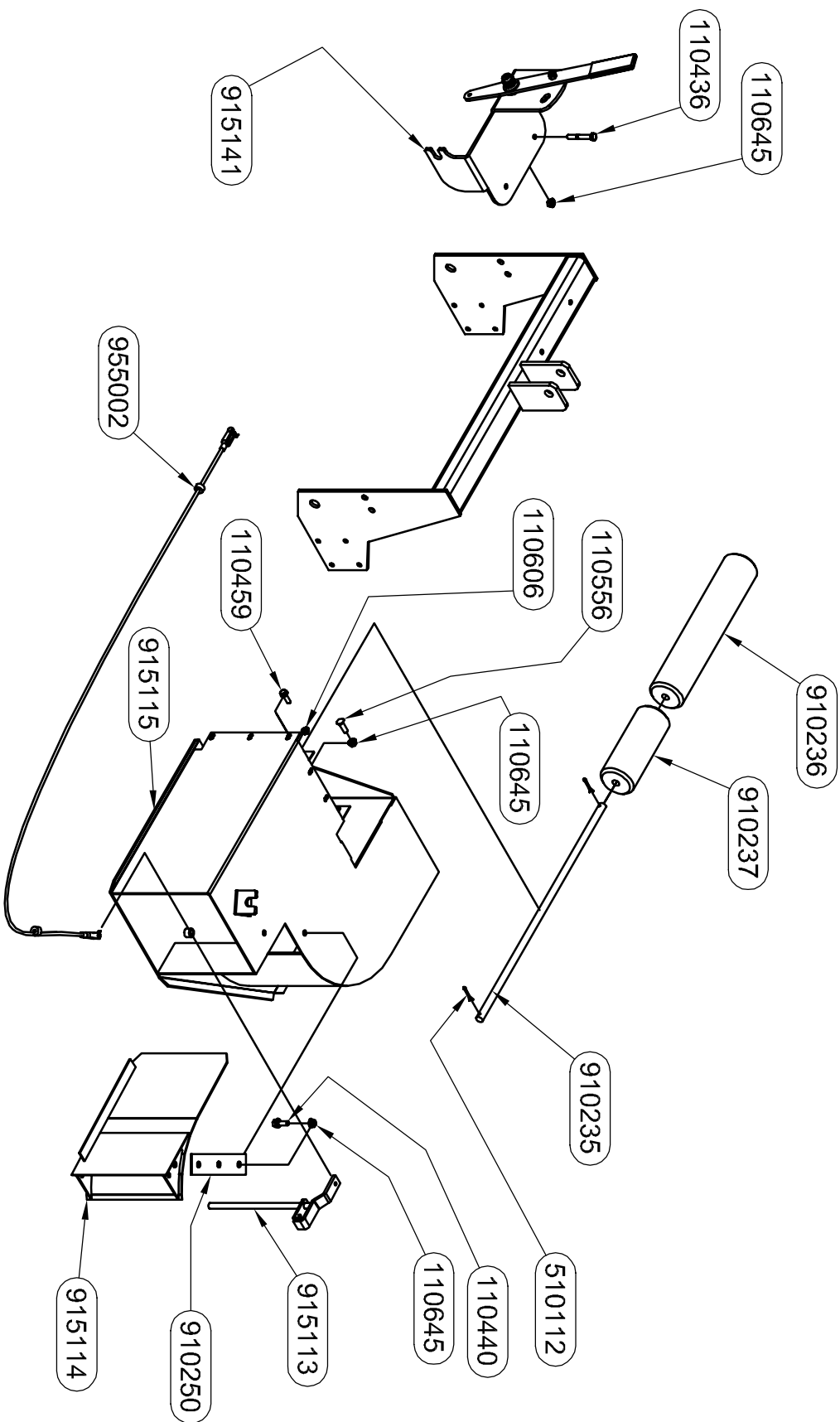
DB3600 COMPONENTS



DB3600

COMPONENTS		
PART #	QTY	NAME
800093	2	CASTER WHEEL ASSY
800124	4	BUSHING, IGUS, MFI 1620-24
910204	2	HITCH STIFFENER
910210	1	IDLER MOUNT STIFFENER
910213	1	TENSION MOUNT WASHER
910283	1	ACCESS DOOR
915100	1	HITCH WELDMENT
915101	1	IMPELLER WELDMENT
915102	1	IDLER MOUNT WELDMENT
915103	2	CASTER MOUNTING WELDMENT
915104	2	CASTER YOKE WELD ASSY
915105	1	BELT SHIELD WELDMENT
915107	1	HOOD WELDMENT
915108	1	MAIN FRAME WELDMENT
940100	1	IMPELLER SHAFT
940101	1	INPUT SHAFT
940102	1	BELT IDLER TENSIONER
940103	4	PILLOW BLOCK BEARING, (1.5")
940106	1	PULLEY, TAPER-LOCK (4/5V 5.2-1610)
940107	1	PULLEY, TAPER-LOCK 4/5V 11.3-3020
940108	1	DRIVE IDLER
940110	4	DRIVE BELT, (5V X 530)
940111	1	TAPER-LOCK HUB (3020 1-1/2)
940112	1	TAPER-LOCK HUB (1610 1-1/2)
950001	6	SPACER

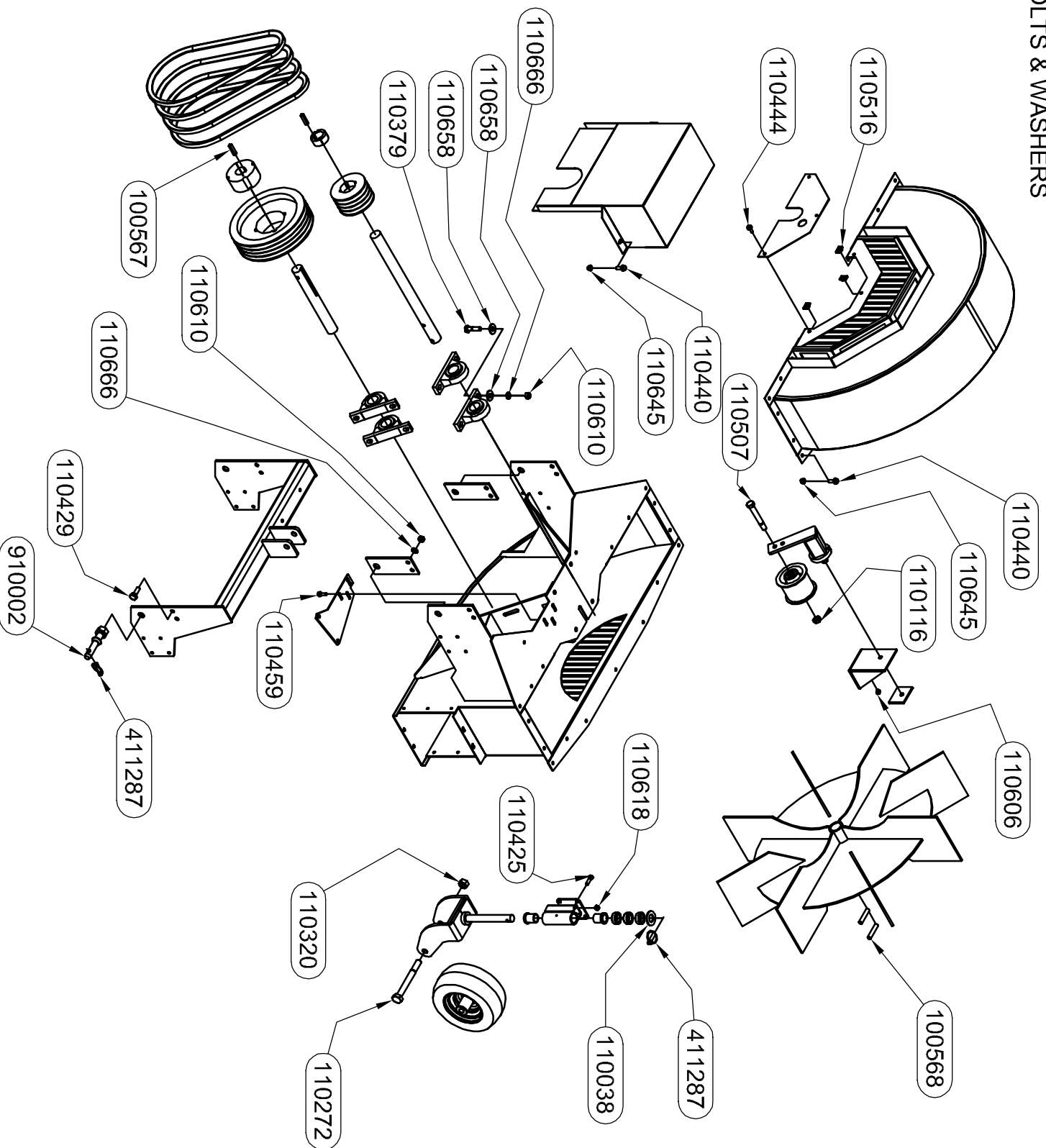
DB3600
DIVERTER KIT



DB3600

DIVERTER		
PART #	QTY	NAME
110436	2	BOLT, 3/8-16 X 2.50
110440	2	BOLT, 3/8-16 X 1 WIZ FLANGE
110459	10	BOLT, 5/16-18 X 1 WIZ FLANGE
110556	1	BOLT, 3/8-16 X 1 CARRIAGE
110606	10	NUT, 5/16-18 WIZ FLANGE
110645	5	NUT, 3/8-16 WIZ FLANGE
510112	2	COTTER PIN, 1/8 X 1 1/4
910235	1	ROLLER AXLE
910236	1	TURF ROLLER (16")
910237	1	TURF ROLLER (8")
910250	1	DIVERTER BRACKET
915113	1	DIVERTER PIVOT WELDMENT
915114	1	DIVERTER GATE WELDMENT
915115	1	DISCHARGE WELDMENT
915141	1	DIVERTER HANDLE ASSY
955002	1	DIVERTER CABLE ASSY

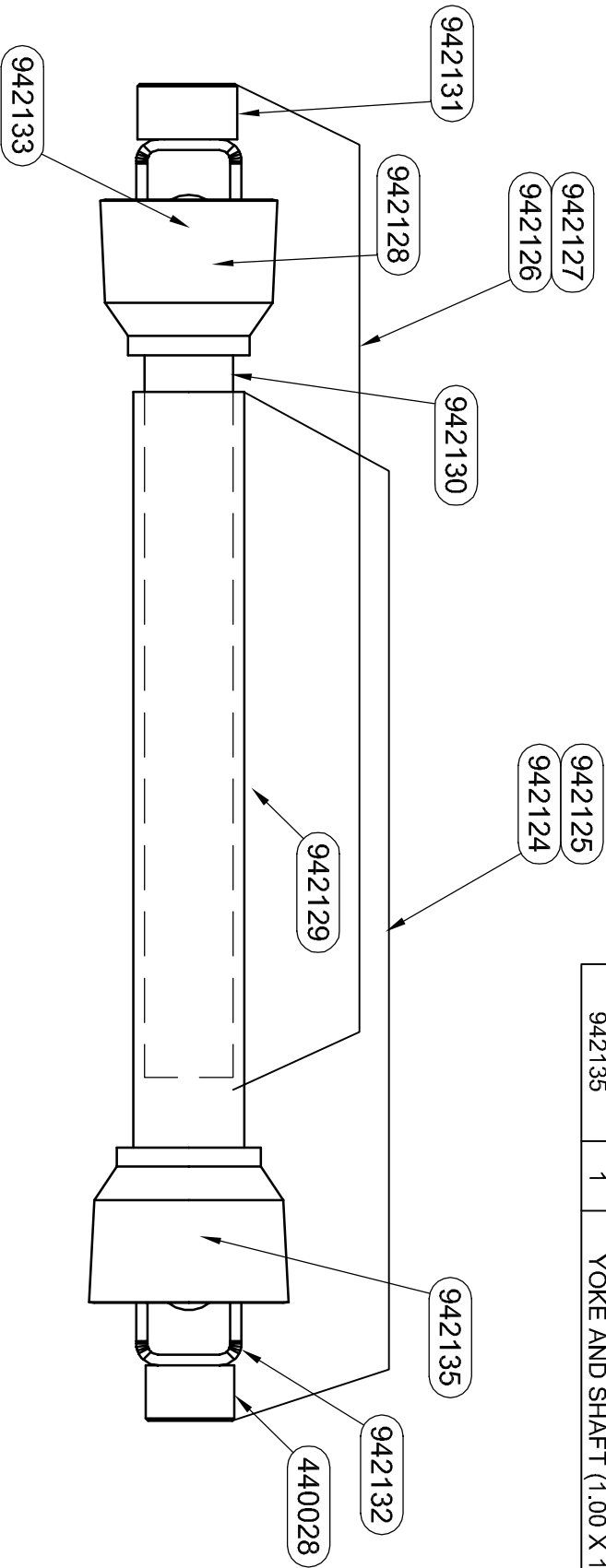
DB3600
NUTS, BOLTS & WASHERS



DB3600

NUTS, BOLTS, AND WASHERS		
PART #	QTY	NAME
100567	2	KEY, 3/8 X 1.75
100568	2	ROLL PIN
110038	2	WASHER, FLAT 1.0 STANDARD
110116	1	NUT, 5/8-18 JAM
110272	2	BOLT, 3/4-10 X 6.75
110320	2	NUT, 3/4-10 LOCK
110379	8	BOLT, 1/2-13 X 2
110425	8	BOLT, 3/8-16 X 1 1/4
110429	4	BOLT, 1/2-13 X 1 1/2
110440	19	BOLT, 3/8-16 X 1 WIZ FLANGE
110444	3	BOLT, 5/16-18 X .75 WIZ FLANGE
110459	3	BOLT, 5/16-18 X 1 WIZ FLANGE
110507	1	BOLT 5/8-18 X 4.5
110516	3	NUT, 5/16-18 J-TYPE CAGE
110606	3	NUT, 5/16-18 WIZ FLANGE
110610	12	NUT, 1/2-13
110618	8	NUT, 3/8-16 LOCK NYLON
110645	19	NUT, 3/8-16 WIZ FLANGE
110658	16	WASHER, 1/2 FLAT
110666	12	WASHER, 1/2 LOCK
411287	4	PIN, LYNCH 7/16-14QP
910002	2	3-POINT PIN W/ HARDWARE

PART #	QTY	NAME
400036	1	SAFETY SIGN (NOT SHOWN)
400037	1	SAFETY SIGN (NOT SHOWN)
440028	1	SPRING-LOCK REPAIR KIT
942124	1	JOINT AND SHAFT HALF ASSY. W/GUARD
942125	1	JOINT AND SHAFT HALF ASSY. WO/GUARD
942126	1	JOINT AND TUBE HALF ASSY. W/GUARD
942127	1	JOINT AND TUBE HALF ASSY. WO/GUARD
942128	1	YOKE, TUBE AND SLIP SLEEVE
942129	1	OUTER GUARD
942130	1	INNER GUARD
942131	1	YOKE
942132	1	SPRING-LOCK YOKE ASSY.
942133	2	14R CROSS AND BEARING KIT
942134	2	NYLON REPAIR KIT (NOT SHOWN)
942135	1	YOKE AND SHAFT (1.00 X 1.13 RECT.)

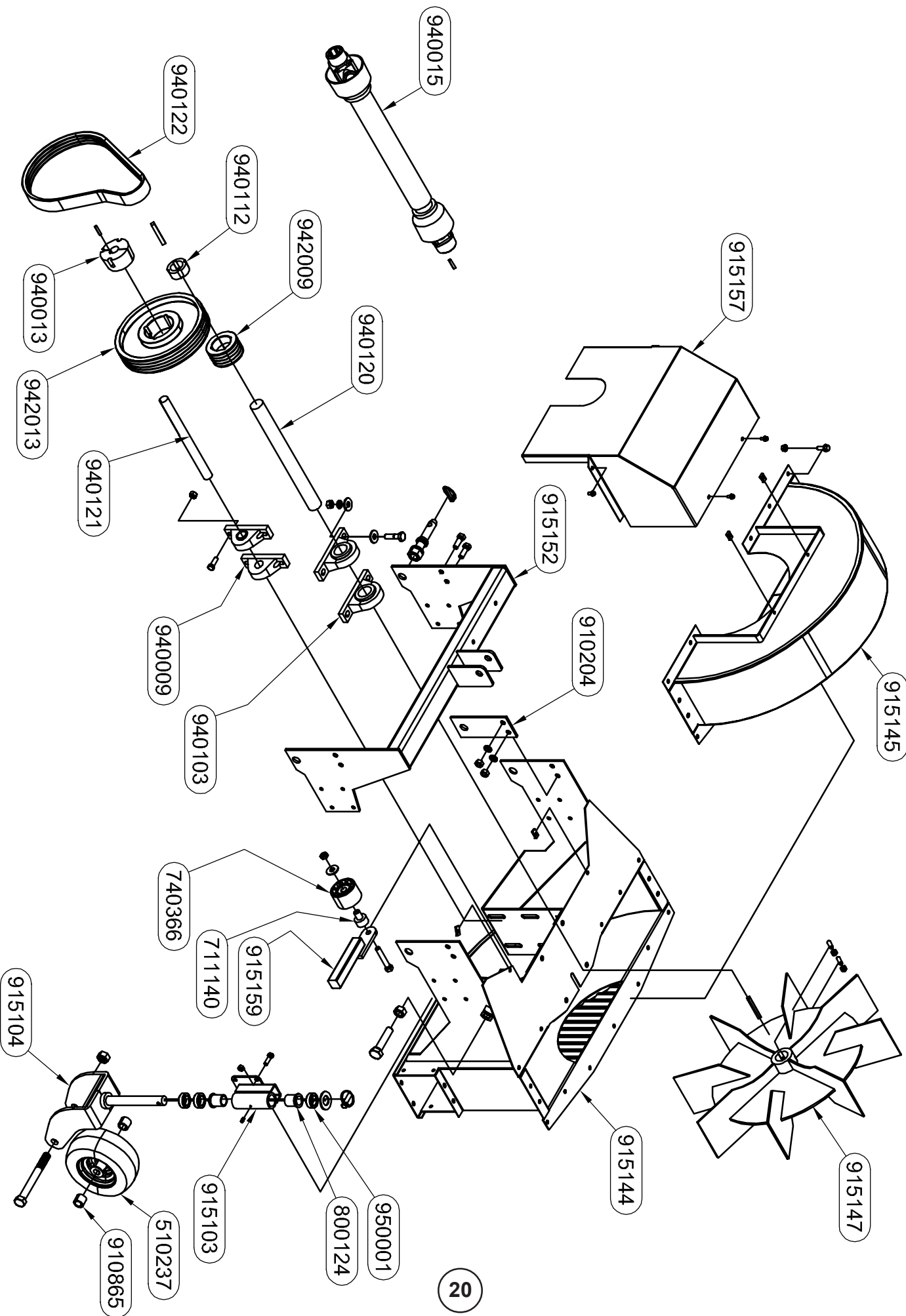


DB3600 PTO SHAFT

Part No. 943010

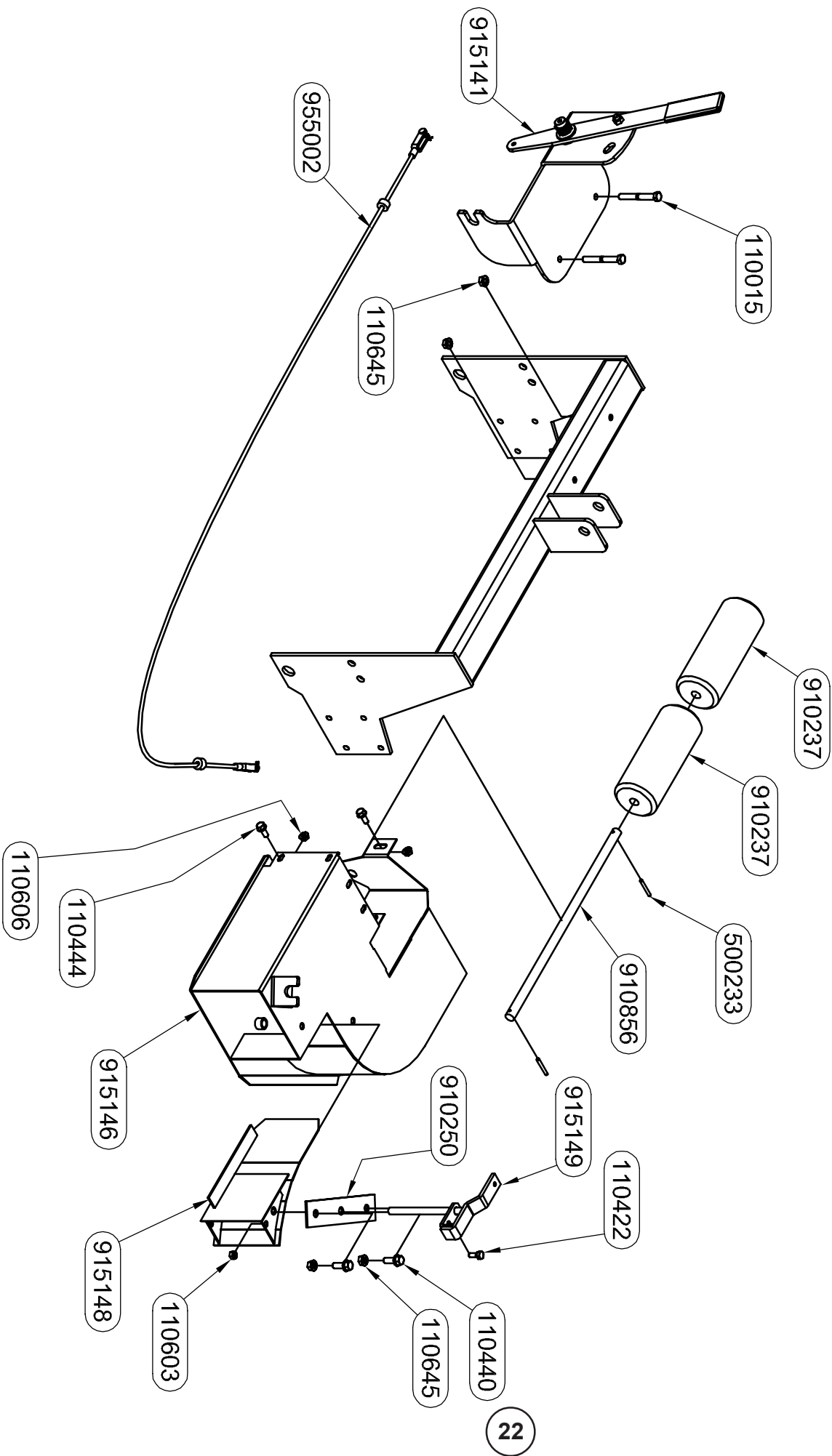
Use for Serial No.s 02A01 - 03A50

DB2700 COMPONENTS



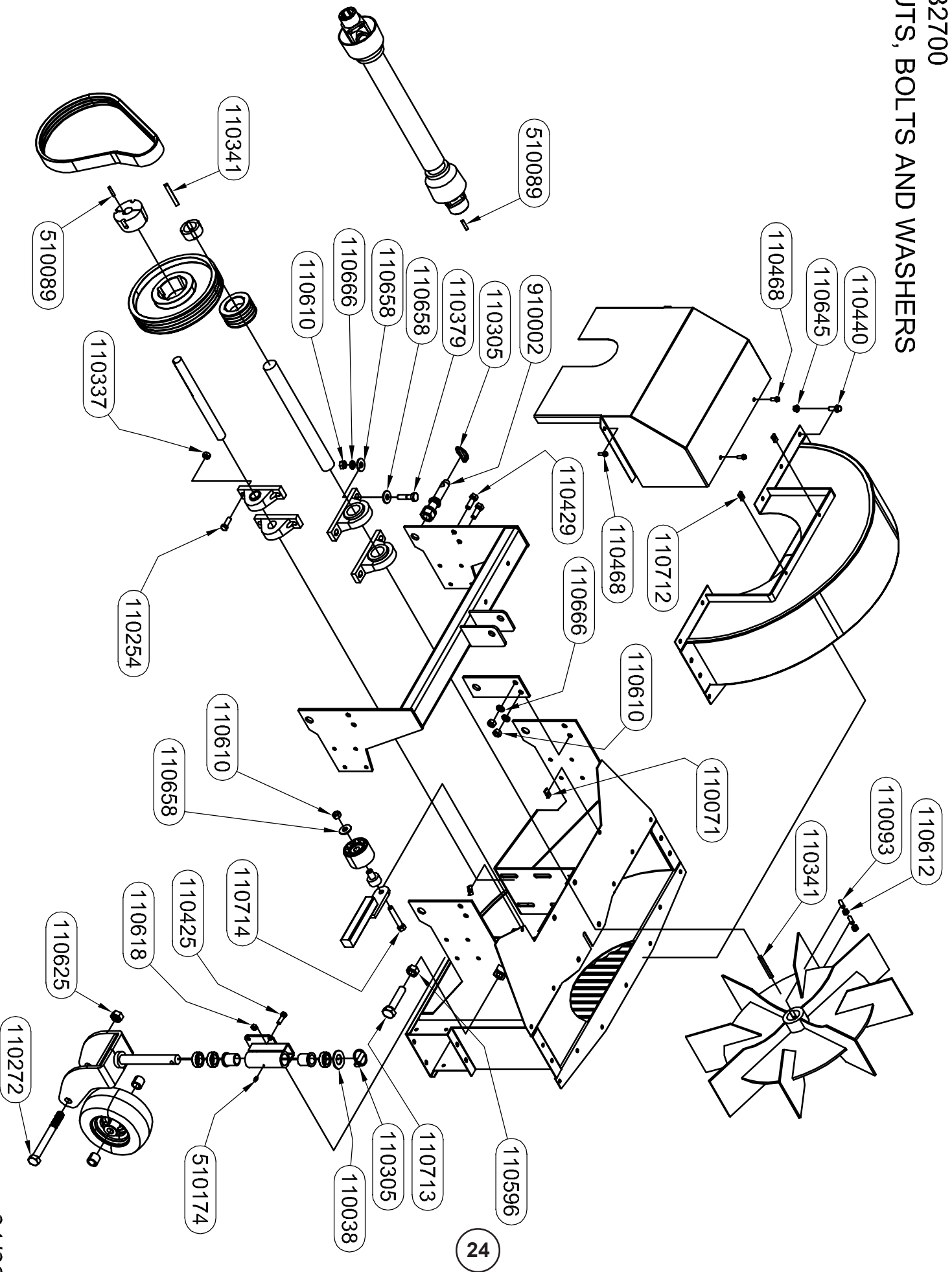
DB2700 COMPONENTS		
PART #	QTY	NAME
510237	2	WHEEL ASSY / CASTER
711140	1	BUSHING / IDLER
740366	1	IDLER, 2.9 OD X 1.82 W
800124	4	BUSHING, IGUS, MFI 1620-24
910204	2	HITCH STIFFENER
910865	4	SPACER, 1.125 X .812 X .9375
915103	2	CASTER MOUNTING WELDMENT
915104	2	CASTER YOKE WELD ASSY
915144	1	MAIN FRAME WELDMENT
915145	1	HOOD
915147	1	IMPELLER WELDMENT
915152	1	SMALL HITCH WELDMENT
915157	1	SHIELD WELDMENT
915159	1	TENSIONER WELDMENT
940009	2	PILLOW BLOCK BEARING
940013	1	BUSHING, TAPER-LOCK 2517 X 1
940015	1	PTO SHAFT
940103	2	PILLOW BLOCK BEARING, (1.5")
940112	1	BUSHING, TAPERLOCK (1610 1-1/2)
940120	1	SMALL DB FAN SHAFT
940121	1	SMALL DB INPUT SHAFT
940122	1	DRIVE BELT, 4/3VX425
942009	1	SHEAVE, 4/3V 3.65 - 1610
942013	1	SHEAVE, 4/3V 10.6 - 2517
950001	6	SPACER

DB2700 DIVERTER



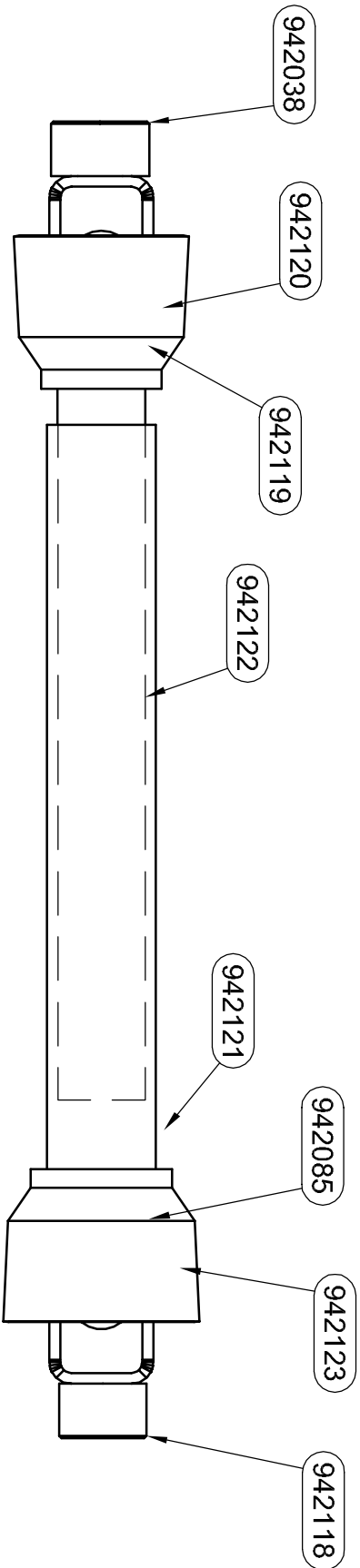
DB2700 DIVERTER		
PART #	QTY	NAME
110015	2	BOLT, 3/8-16 X 3.00
110422	1	BOLT, 5/16-18 X .75
110440	2	BOLT, 3/8-16 X 1 WIZ FLANGE
110444	9	BOLT, 5/16-18 X .75 WIZ FLANGE
110603	1	NUT, 5/16-18 LOCK (NYLON)
110606	9	NUT, 5/16-18 WIZ FLANGE
110645	4	NUT, 3/8-16 WIZ FLANGE
500233	2	ROLL PIN, 3/16 X 1.50
910237	2	TURF ROLLER (8")
910250	1	DIVERTER BRACKET
910856	1	ROLLER AXLE, SMALL DB
915141	1	DIVERTER HANDLE ASSY
915146	1	DISCHARGE
915148	1	DIVERTER GATE WELDMENT
915149	1	SMALL DIVERTER PIVOT WELDMENT
955002	1	DIVERTER CABLE ASSY

DB2700 NUTS, BOLTS AND WASHERS



DB2700 FASTENERS		
PART #	QTY	NAME
110038	2	WASHER, FLAT 1.0 STANDARD
110071	2	NUT, 1/4-20 U-TYPE
110093	4	SET SCREW, 3/8-16 X 1.25
110254	4	BOLT, 7/16-14 X 1.25, WIZ
110272	2	BOLT, 3/4-10 X 6.75
110305	4	PIN, LYNCH 7/16 X 1-3/4
110337	4	NUT, 7/16-14, WIZ FLANGE
110341	2	KEY, 3/8 X 3/8 X 3.0
110379	4	BOLT, 1/2-13 X 2.0
110425	8	BOLT, 3/8-16 X 1.25
110429	4	BOLT, 1/2-13 X 1.5
110440	16	BOLT, 3/8-16 X 1 WIZ FLANGE
110468	4	BOLT, 1/4-20 X .75, WIZ FLANGE
110596	1	NUT, 3/4-10
110610	9	NUT, 1/2-13
110612	4	NUT, 3/8-16
110618	8	NUT, 3/8-16 LOCK
110625	2	NUT, 3/4-10 LOCK
110645	16	NUT, 3/8-16 WIZ FLANGE
110658	9	WASHER, 1/2 FLAT
110666	8	WASHER, 1/2 LOCK
110712	2	NUT, 1/4-20 U-TYPE, .18-.19 X .375
110713	1	BOLT, 3/4-10 X 3.5 FULL THREAD
110714	1	BOLT, 1/2-13 X 3.0 FULL THREAD
510089	2	KEY, 1/4 X 1/4 X 1.25
510174	2	GREASE ZERK, 1/4-28
910002	2	3-POINT PIN W/ HARDWARE

PART #	QTY	NAME
400036	1	DECAL, SAFETY, PTO SLICER (NOT SHOWN)
400037	1	DECAL, "DANGER", PTO (NOT SHOWN)
942085	2	REPAIR KIT, PTO 12N
942118	1	YOKE, SNAP HITCH 12N
942123	1	YOKE, TUBE WELD 12N
942120	1	YOKE, SHAFT WELD 12N
942121	1	GUARD, OUTER PLASTIC 12N
942122	1	GUARD, INNER PALSTIC 12N
942119	2	CROSS KIT
942038	1	YOKE, IMPLEMENTMENT END, 1" BORE



DB2700 PTO SHAFT
 Part No. 940015

DECAL PLACEMENT, DB3600 & DB2700

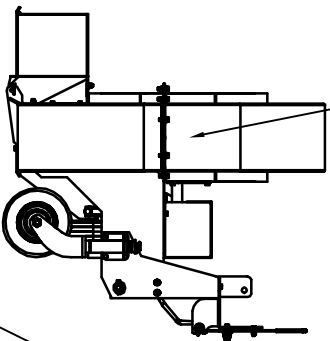
WARNING

FAILURE TO FOLLOW SAFE OPERATING PROCEDURES CAN RESULT IN DEATH OR SERIOUS INJURY.
 READ AND UNDERSTAND ALL INSTRUCTIONS AND SAFETY WARNINGS BEFORE OPERATING THIS EQUIPMENT.
 • DO NOT OPERATE MACHINE IN THE VICINITY OF BYSTANDERS OR ANIMALS.
 • NEVER DIRECT DISCHARGE TOWARDS BUILDINGS OR OBJECTS SUCH AS CARS, BUILDINGS, ETC.
 • ALWAYS WEAR A DUST MASK WHEN OPERATING IN DUSTY CONDITIONS.
 • EYE AND EAR PROTECTION MUST BE WORN AT ALL TIMES.
 • NEVER ALLOW PASSENGERS ON THE MACHINE.
 • KEEP HANDS, FEET AND CLOTHING AWAY FROM MOVING PARTS (ENTANGLEMENT CAN CAUSE SERIOUS INJURY OR DEATH), ON ALL MOVING PARTS. ALWAYS TO A COMPLETE STOP BEFORE PERFORMING SERVICE OR REPAIR WORK.

902060



900120



CAUTION

1. KEEP ALL GAUGES IN PLACE.
2. STOP MACHINE TO ADJUST & LUBRICATE.
3. IF MECHANISM BECOMES CLOGGED DISCONNECT POWER BEFORE CLEANING.
4. KEEP HANDS, FEET AND CLOTHING AWAY FROM POWER-DRIVEN PARTS.

900008



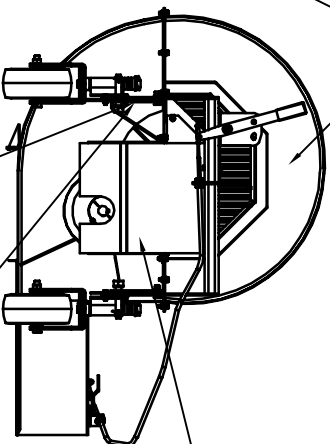
UNDER SHIELD

WARNING
 SHIELD HAS BEEN REMOVED!
 REPLACE PRIOR TO MACHINE OPERATION

400014



902061



902072

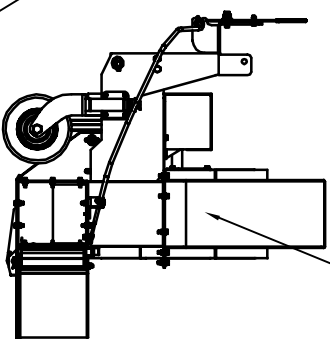


300002

CAUTION

THIS EQUIPMENT DESIGNED FOR NORMAL OPERATING SPEED
 540 RPM
 KEEP U-JOINT ANGLE SMALL AND EQUAL. DO NOT EXCEED 15° ANGLE ON EACH U-JOINT.

902001



DANGER

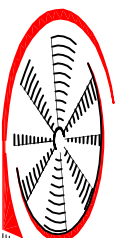
DO NOT STAND NEAR MACHINE WHEN IN OPERATION

500036

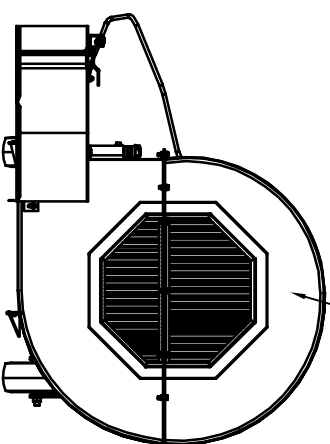


HARPER
Goosaver

DB3600 – 900017
 DB2700 – 900125



900120



HARPER
Goosaver

DB3600 -- 900017
 DB2700 -- 900125

DECAL KITS

DB3600 – 900119
 DB2700 – 905045

NOTES