

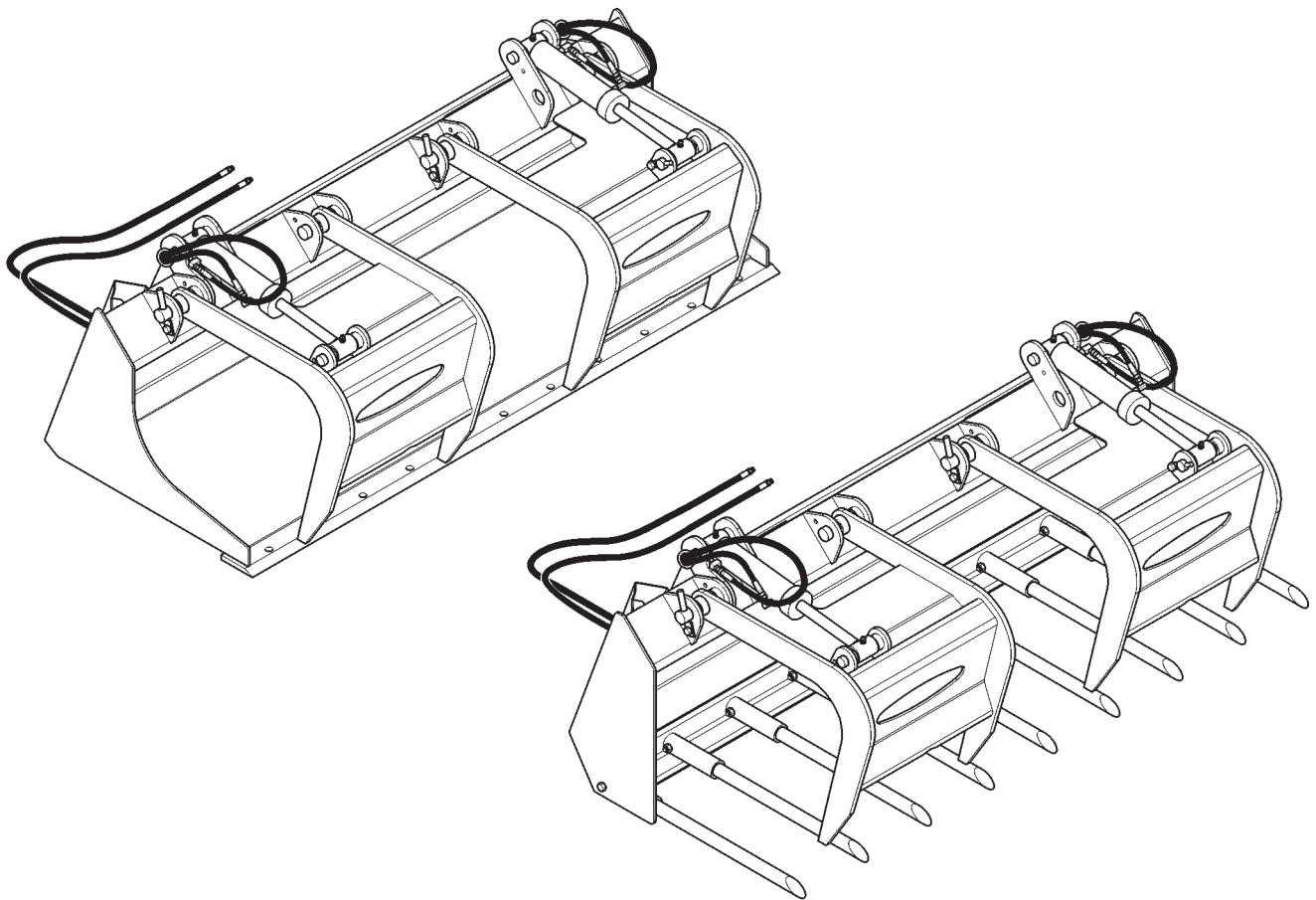
COMPACT GRAPPLE BUCKET

MODELS GBC-60, GBC-66 & GBC-72

& BRUSH FORK

MODELS BF-60, BF-66 & BF-72

SERVICE & PARTS MANUAL



ATI

C O R P O R A T I O N

New Holland, PA 17557

Phone (717) 354-8721 • FAX (717) 354-2162

1-800-342-0905

www.preseeder.com

JULY 2005

CAT.#GBC/BF606672IPM-0705

COPYRIGHT 2005 by
ATI Corporation
New Holland, PA 17557 U.S.A.

DISCLAIMER

THE INFORMATION IN THIS MANUAL IS PROVIDED TO PROMOTE THE SAFE USE OF, AND ASSIST THE OPERATOR IN ACHIEVING THE BEST PERFORMANCE FROM, COMPACT GRAPPLE BUCKET & BRUSH FORK DESCRIBED HEREIN, FOR THEIR INTENDED APPLICATIONS.

Compact Grapple Bucket & Brush Fork



New Holland, PA 17557
Phone (717) 354-8721 • FAX (717) 354-2162
1-800-342-0905
www.preseeder.com

TABLE OF CONTENTS

SUBJECT	PAGE NO.
SERIAL NUMBER INFORMATIONiv
WHERE TO GET PARTS AND SERVICEiv
HOW TO ORDER PARTSv
SAFETY, INSTALLATION & MAINTENANCEvi
LIST OF PARTS ILLUSTRATIONS1



New Holland, PA 17557
 Phone (717) 354-8721 • FAX (717) 354-2162
 1-800-342-0905
 www.preseeder.com

Compact Grapple Bucket & Brush Fork & Brush Fork

SERIAL NUMBERS, PARTS & SERVICE

SERIAL NUMBER INFORMATION

It is very important that the correct serial number is provided when ordering parts. The serial number plate is located on the back left corner of the bucket or fork. Please mark the model and serial number of your attachment in the space provided below in case the plate on your attachment gets lost or damaged.

Model **Serial Number**

Dealer Name **Dealer Phone Number**

WHERE TO GET PARTS AND SERVICE

When replacement parts and service are required for your attachment, ATI Corporation recommends returning to the dealer from which the attachment was purchased. By going to the dealer, you are dealing with people that understand and know your attachment. Our dealers have the experience servicing these machines and stock the most common parts required to keep your attachment in top working condition.

NOTE:

ATI Corporation reserves the right to discontinue models at any time, change specifications, and improve design without notice and without incurring obligation on goods previously purchased and to discontinue supplying any part listed, when the demand does not warrant production.

Compact Grapple Bucket & Brush Fork



New Holland, PA 17557
Phone (717) 354-8721 • FAX (717) 354-2162
1-800-342-0905
www.preseeder.com

HOW TO ORDER PARTS

Parts lists contained in this book have been prepared to help you when ordering spare and/or replacement parts. Your order will be filled promptly and accurately when the following information is provided to your dealer:

1. Model and serial number of the unit. (This specifically identifies the equipment you have and permits us to verify the part numbers in your order.)
2. The parts list page number and catalog number. Include catalog revision number, if applicable.
3. The **Item** number for each part. **Item** numbers on the parts list page correspond with the numbers shown on the illustration.
4. **Part Number** as it appears in the parts list. In most cases this will be a nine-digit number; for example: 200-147-000.
5. The **Description** for the part as it appears on the parts list page.

When a complete assembly is needed, use the assembly number given in the parts list. If no assembly number is given, order by main assembly title and list only the item numbers you want. For example: "Cylinder Assembly, Right hand 2" Bore x 6" Stroke per 000-166-142, Items 2 through 15 inclusive".

The part ordered may have a new part number, or the part may have been replaced by a newer design with a different part number. In these cases your acknowledgement, shipping papers and invoices will be written listing the current part number first; the old part number you referred to will follow the part description.

Our purpose in doing this is to tell you that the parts are fully interchangeable. This will avoid any unnecessary correspondence or delay in processing your order. We suggest that you add any new number to your parts lists for future use.



New Holland, PA 17557
 Phone (717) 354-8721 • FAX (717) 354-2162
 1-800-342-0905
 www.preseeder.com

Compact Grapple Bucket & Brush Fork

SAFETY, INSTALLATION & MAINTENANCE

SAFETY

SAFETY is our first concern at ATI Corporation. Safety must also be first in the mind of the operator of the grapple bucket/brush fork. Proper maintenance is necessary to complete the safety cycle.

Observe all safety rules, including:

- Operate at a safe distance from bystanders.
- Never perform maintenance or service work such as lubricating, inspecting, clearing debris, etc., while the tractor engine is running. Shut off the engine and remove the key before performing these functions.



DO NOT EXCEED THE LOADER'S SAE OPERATING LOAD. See the operator's manual of the loader for load specifications. Remember to include the weight of the grapple bucket or brush fork in the total weight to be lifted by the loader.

WEIGHT CHART

GRAPPLE BUCKETS		BRUSH FORKS	
MODEL	WEIGHT	MODEL	WEIGHT
GBC-60	480	BF-60	530
GBC-66	505	BF-66	565
GBC-72	530	BF-72	590

PRESSURIZED OIL LEAKS CAN PENETRATE YOUR SKIN. Before investigating or repairing leaks, shut off the tractor engine and move the hydraulic control valve to open and close positions several times, to relieve pressure in the hydraulic lines.

INSTALLATION

Please refer to loader operator's manual for attachment installation instructions.

MAINTENANCE

- Lubricate all grease fittings every ten (10) hours of operation.
- Check all hydraulic hoses frequently for leaks or damage.
- Replace defective hoses before operating the grapple.
- Check all pivot pins and fasteners; replace them as needed.
- Remember that well-maintained equipment is safer, will perform better, and provide longer service life!

Compact Grapple Bucket & Brush Fork



New Holland, PA 17557
Phone (717) 354-8721 • FAX (717) 354-2162
1-800-342-0905
www.preseeder.com

LIST OF PARTS ILLUSTRATIONS

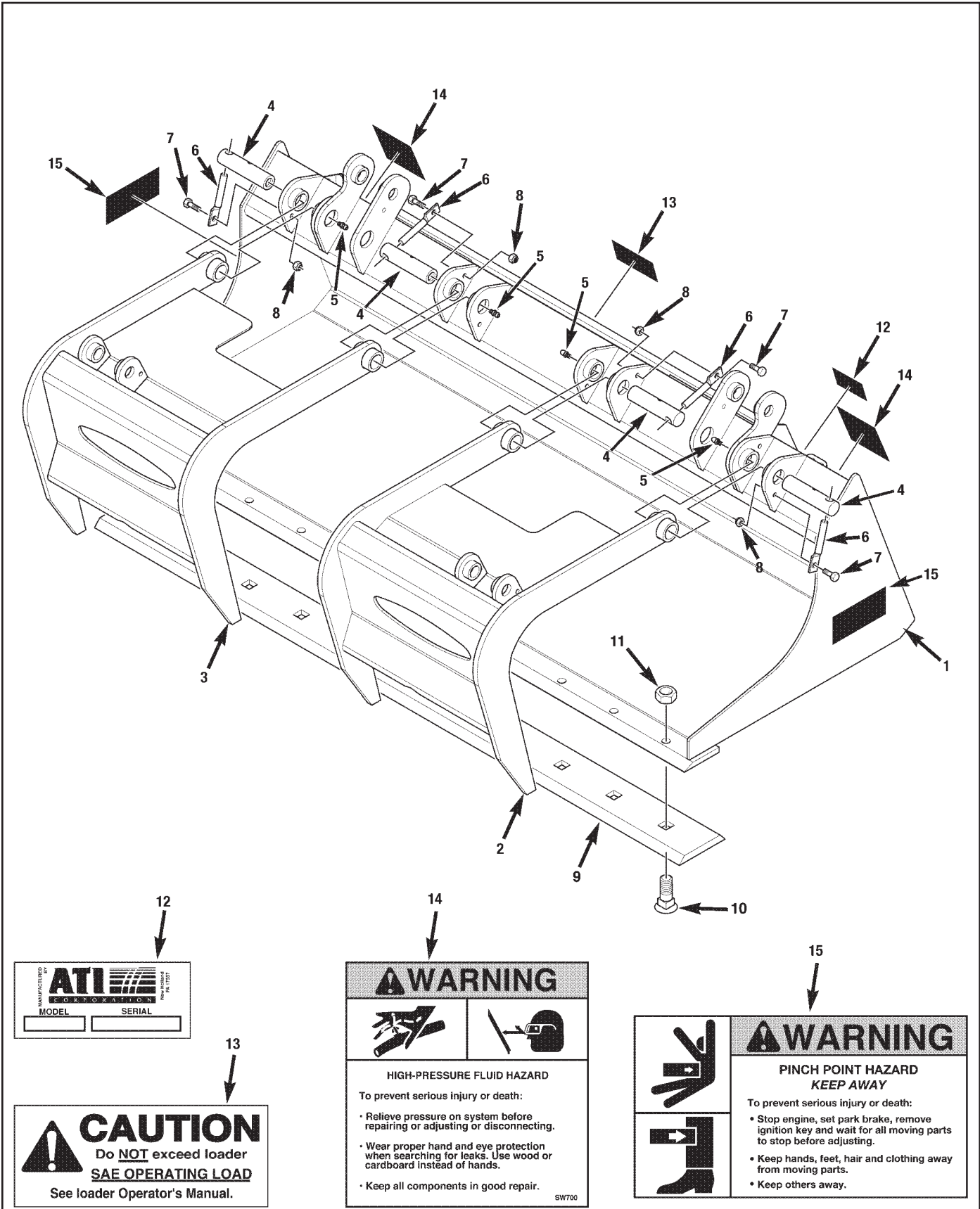
Figure 1. Bucket, Grapple Hooks & Related Parts	2
Figure 2. Brush Fork, Grapple Hooks & Related Parts	4
Figure 3. Hydraulics	6
Figure 4. Cylinder Assembly	8



New Holland, PA 17557
 Phone (717) 354-8721 • FAX (717) 354-2162
 1-800-342-0905
 www.preseeder.com

Compact Grapple Bucket & Brush Fork PARTS LIST

Figure 1. Bucket, Grapple Hooks & Related Parts



CAUTION
 Do NOT exceed loader
SAE OPERATING LOAD
 See loader Operator's Manual.

WARNING

HIGH-PRESSURE FLUID HAZARD
 To prevent serious injury or death:

- Relieve pressure on system before repairing or adjusting or disconnecting.
- Wear proper hand and eye protection when searching for leaks. Use wood or cardboard instead of hands.
- Keep all components in good repair.

SW700

WARNING

**PINCH POINT HAZARD
 KEEP AWAY**

To prevent serious injury or death:

- Stop engine, set park brake, remove ignition key and wait for all moving parts to stop before adjusting.
- Keep hands, feet, hair and clothing away from moving parts.
- Keep others away.

Compact Grapple Bucket & Brush Fork PARTS LIST



New Holland, PA 17557
Phone (717) 354-8721 • FAX (717) 354-2162
1-800-342-0905
www.preseeder.com

Figure 1. Bucket, Grapple Hooks & Related Parts

Item	Part No.	Qty	Description
1	300-116-000	1	Bucket Weldment, 60"
	300-117-000	1	Bucket Weldment, 66"
	300-118-000	1	Bucket Weldment, 72"
2	300-119-000	1	Hook, Grapple, Left Hand
3	300-120-000	1	Hook, Grapple, Right Hand
4	000-161-048	4	Pin, Grapple Hook, 1-1/4" Dia. x 5-1/4" Long
5	LP	4	Fitting, Lube, 1/4"-28UNF
6	000-161-024	4	Pin, Retainer, 3/8" Dia. x 3-1/4" Long
7	LP	3	Bolt, Hex Head, 5/16"-18UNC x 1" Long
8	LP	3	Nut, Hex, Nylon Lock, 5/16"-18UNC
9	000-190-105	1	Edge, Cutting, DBF, 61-3/8", Optional (60" Bucket), Includes Items 10 & 11
	000-190-106	1	Edge, Cutting, DBF, 67-3/8", Optional (66" Bucket), Includes Items 10 & 11
	000-190-107	1	Edge, Cutting, DBF, 73-3/8", Optional (72" Bucket), Includes Items 10 & 11
10	000-150-254	AR	Bolt, Plow, Grade 8, 5/8"-11UNC x 1-1/2" Long
11	000-158-139	AR	Nut, Hex, Lock, Grade 8, 5/8"-11UNC
12	000-186-035	1	Plate, Serial, Adhesive Back
13	000-186-023	1	Decal, Caution
14	000-186-041	2	Decal, Warning, High-Pressure Fluid Hazard
15	000-186-057	2	Decal, Warning (Pinch Point)

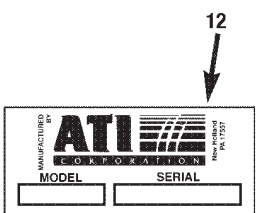
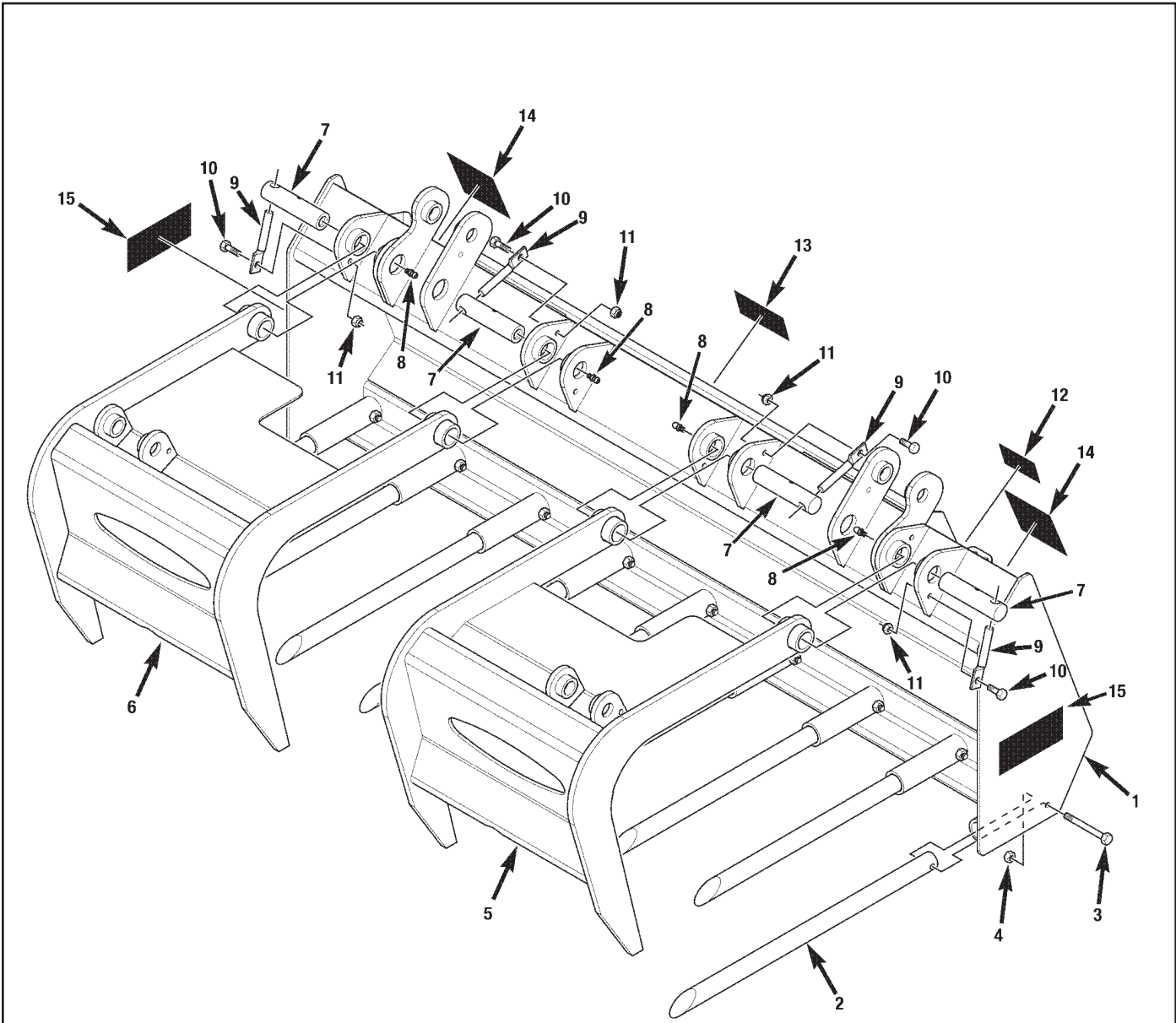
AR - As Required NSS - Not Serviced Separately ASN - After Serial No. BSN - Before Serial No. LP - Local Purchase



New Holland, PA 17557
 Phone (717) 354-8721 • FAX (717) 354-2162
 1-800-342-0905
 www.preseeder.com

Compact Grapple Bucket & Brush Fork PARTS LIST

Figure 2. Brush Fork, Grapple Hooks & Related Parts



CAUTION
 Do **NOT** exceed loader
SAE OPERATING LOAD
 See loader Operator's Manual.

WARNING

HIGH-PRESSURE FLUID HAZARD
 To prevent serious injury or death:

- Relieve pressure on system before repairing or adjusting or disconnecting.
- Wear proper hand and eye protection when searching for leaks. Use wood or cardboard instead of hands.
- Keep all components in good repair.

5W700

WARNING

PINCH POINT HAZARD
KEEP AWAY

To prevent serious injury or death:

- Stop engine, set park brake, remove ignition key and wait for all moving parts to stop before adjusting.
- Keep hands, feet, hair and clothing away from moving parts.
- Keep others away.

Compact Grapple Bucket & Brush Fork PARTS LIST



New Holland, PA 17557
Phone (717) 354-8721 • FAX (717) 354-2162
1-800-342-0905
www.preseeder.com

Figure 2. Brush Fork, Grapple Hooks & Related Parts

Item	Part No.	Qty	Description
1	300-013-100	1	Frame, Brush Fork, 60"
	300-014-100	1	Frame, Brush Fork, 66"
	300-015-100	1	Frame, Brush Fork, 72"
2	000-205-036	AR	Tine, Brush Fork
3	LP	AR	Bolt, Hex Head, 3/8"-16UNC x 2-1/2" Long (Shown Outside)
	LP	AR	Bolt, Hex Head, 3/8"-16UNC x 2-1/4" Long (Not Shown Inside)
4	LP	AR	Nut, Hex, Nylon Lock, 3/8"-16UNC
5	300-119-000	1	Hook, Grapple, Left Hand
6	300-120-000	1	Hook, Grapple, Right Hand
7	000-161-048	4	Pin, Grapple Hook, 1-1/4" Dia. x 5-1/4" Long
8	LP	4	Fitting, Lube, 1/4"-28UNF
9	000-161-024	4	Pin, Retainer, 3/8" Dia. x 3-1/4" Long
10	LP	3	Bolt, Hex Head, 5/16"-18UNC x 1" Long
11	LP	3	Nut, Hex, Nylon Lock, 5/16"-18UNC
12	000-186-035	1	Plate, Serial, Adhesive Back
13	000-186-023	1	Decal, Caution
14	000-186-041	2	Decal, Warning, High-Pressure Fluid Hazard
15	000-186-057	2	Decal, Warning (Pinch Point)

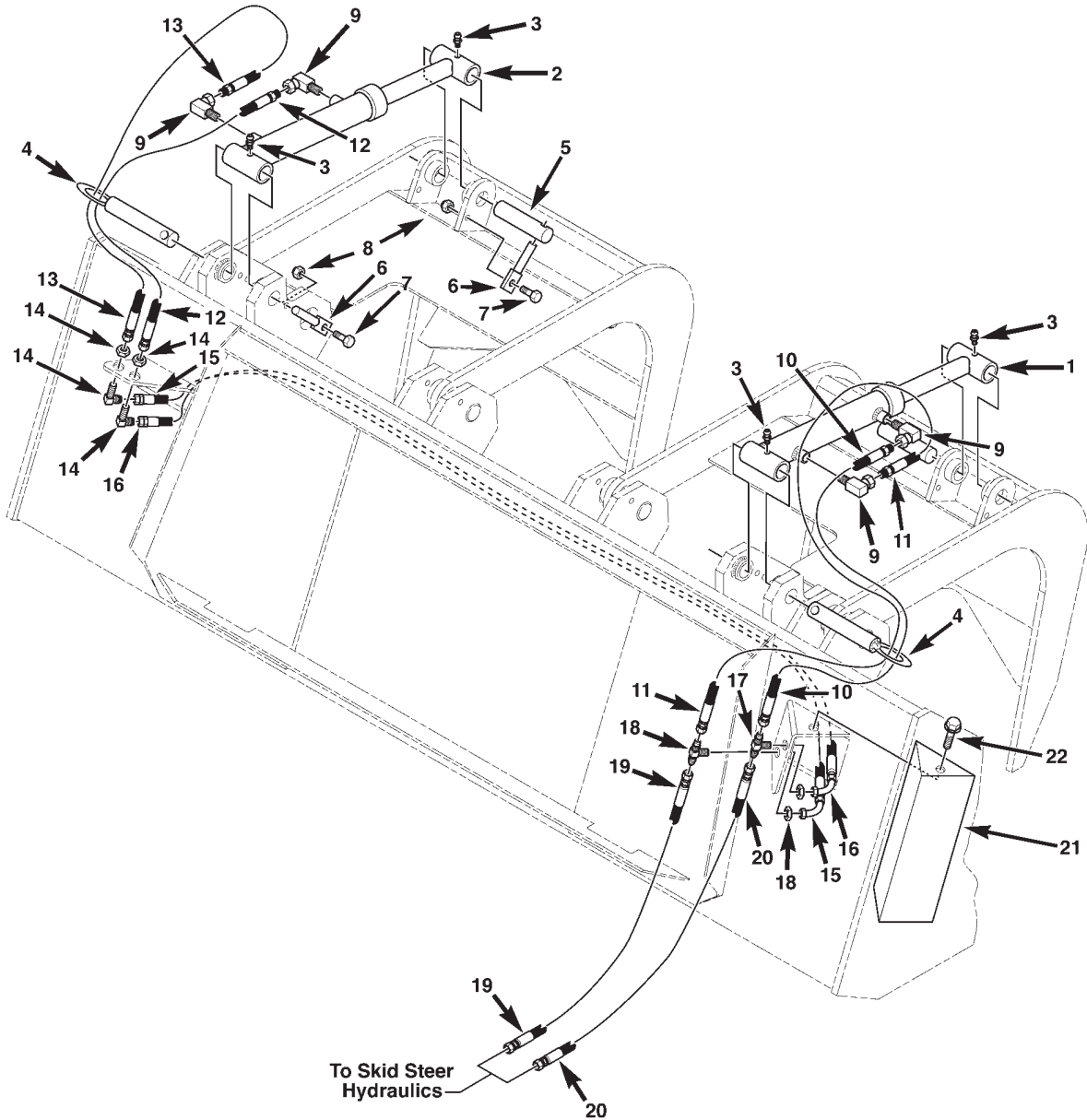
AR - As Required NSS - Not Serviced Separately ASN - After Serial No. BSN - Before Serial No. LP - Local Purchase



New Holland, PA 17557
Phone (717) 354-8721 • FAX (717) 354-2162
1-800-342-0905
www.preseeder.com

Compact Grapple Bucket & Brush Fork PARTS LIST

Figure 3. Hydraulics



Compact Grapple Bucket & Brush Fork PARTS LIST



New Holland, PA 17557
Phone (717) 354-8721 • FAX (717) 354-2162
1-800-342-0905
www.preseeder.com

Figure 3. Hydraulics

Item	Part No.	Qty	Description
1	000-166-142	1	Cylinder Assembly, Right Hand, 2" Bore x 6" Stroke (See Breakdown)
2	000-166-093	1	Cylinder Assembly, Left Hand, 2" Bore x 6" Stroke (See Breakdown)
3	LP	4	Fitting, Lube, 3/16" Drive
4	000-161-049	2	Pin, Cylinder, 1" Dia. x 5-1/2" Long, With Ring
5	000-161-052	2	Pin, Cylinder, 1" Dia. x 5-1/2" Long
6	000-161-024	4	Pin, Retainer, 3/8" Dia. x 3-1/4" Long
7	LP	4	Bolt, Hex Head, 5/16"-18UNC x 1" Long
8	LP	4	Nut, Hex, Nylon Lock, 5/16"-18UNC
9	000-166-048	4	Elbow, 4MJ x 4MB, 90°
10	000-166-124	1	Hose, Hydraulic, 1/4" x 6FJX x 4FJX x 30" Long
11	000-166-123	1	Hose, Hydraulic, 1/4" x 6FJX x 4FJX x 16" Long
12	000-166-120	1	Hose, Hydraulic, 1/4" x 4FJX x 4FJX x 16" Long
13	000-166-121	1	Hose, Hydraulic, 1/4" x 4FJX x 4FJX x 30" Long
14	000-166-100	2	Elbow, Bulkhead Union, 4MJ x 4BH90, With Locknut
15	000-166-165	1	Hose, Hydraulic, 1/4" x 6FJX90 x 4FJX x 54" Long, (GBC-60)
	000-166-122	1	Hose, Hydraulic, 1/4" x 6FJX90 x 4FJX x 60" Long, (BF-60, BF-66 & GBC-66)
	000-166-122	1	Hose, Hydraulic, 1/4" x 6FJX90 x 4FJX x 60" Long, (BF-72 & GBC-72)
16	000-166-165	1	Hose, Hydraulic, 1/4" x 6FJX90 x 4FJX x 54" Long, (GBC-60)
	000-166-122	1	Hose, Hydraulic, 1/4" x 6FJX90 x 4FJX x 60" Long, (BF-60, BF-66 & GBC-66)
	000-166-122	1	Hose, Hydraulic, 1/4" x 6FJX90 x 4FJX x 60" Long, (BF-72 & GBC-72)
17	000-166-102	1	Tee, Bulkhead Branch, 6MJ x 6MJ x 6BH, With Locknut
18	000-166-130	1	Tee, Bulkhead Branch, 6MJ x 6MJ x 6BH, Orifice in Run, With Locknut
19	000-166-116	1	Hose, Hydraulic, 1/4" x 8MB x 6FJX x 65" Long
20	000-166-116	1	Hose, Hydraulic, 1/4" x 8MB x 6FJX x 65" Long
21	300-126-000	1	Shield, Hose
22	LP	1	Capscrew, Hex Head, Serrated Flange, 5/16"-18UNC x 3/4" Long

BH-Bulkhead
 MP-Male Pipe
 FP-Female Pipe
 FPX-Female Pipe Swivel
 MB-Male O-Ring Boss
 FB-Female O-Ring Boss
 MJ-Male JIC
 FJ-Female JIC
 FJX-Female JIC Swivel

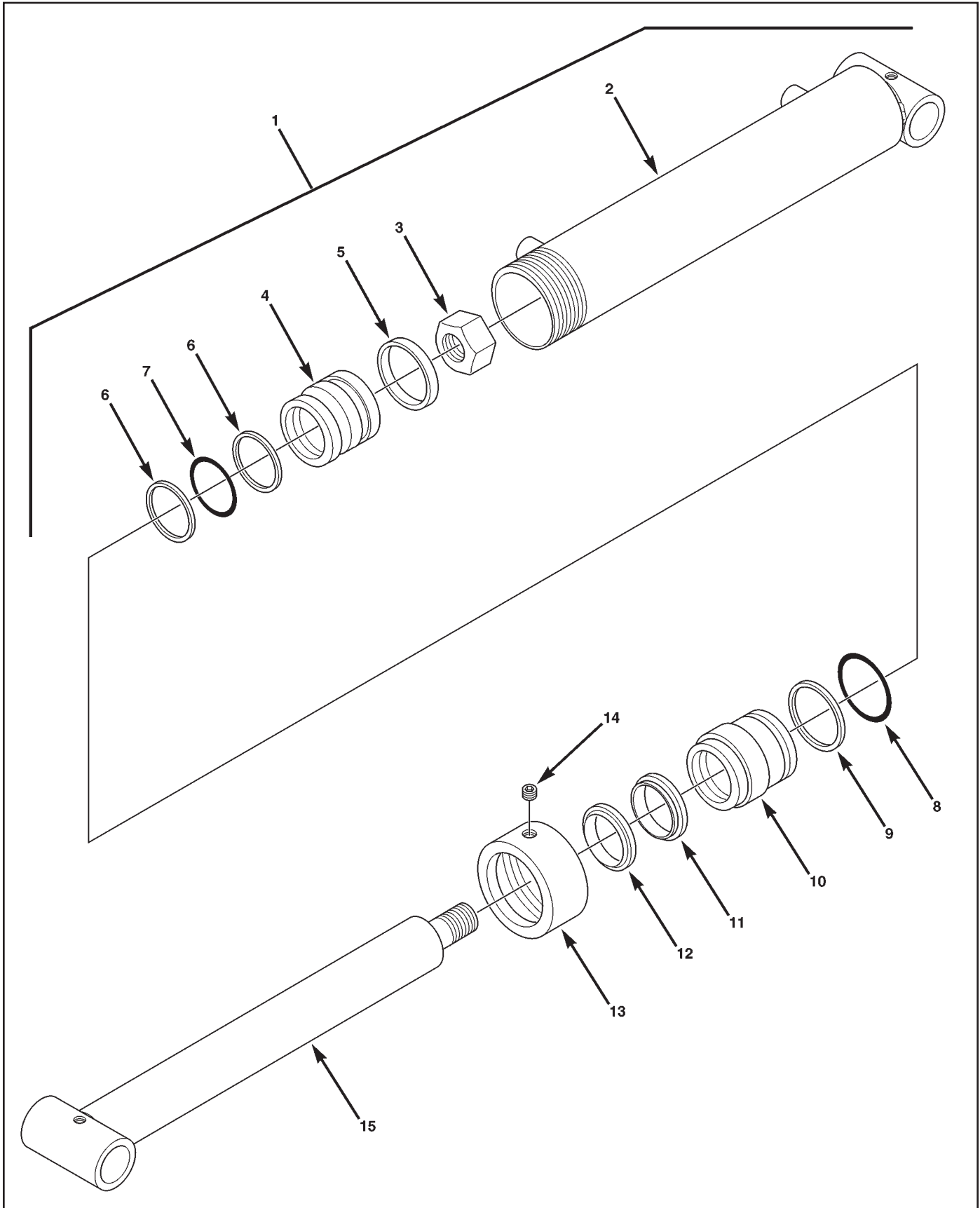
AR - As Required NSS - Not Serviced Separately ASN - After Serial No. BSN - Before Serial No. LP - Local Purchase



New Holland, PA 17557
Phone (717) 354-8721 • FAX (717) 354-2162
1-800-342-0905
www.preseeder.com

Compact Grapple Bucket & Brush Fork PARTS LIST

Figure 4. Cylinder Assembly



Compact Grapple Bucket & Brush Fork PARTS LIST



New Holland, PA 17557
Phone (717) 354-8721 • FAX (717) 354-2162
1-800-342-0905
www.preseeder.com

Figure 4. Cylinder Assembly

Item	Part No.	Qty	Description
1	000-166-142	1	Cylinder Assembly, Right Hand, 2" Bore x 6" Stroke
	000-166-093	1	Cylinder Assembly, Left Hand, 2" Bore x 6" Stroke
			Includes Items 2 thru 15
2	000-166-311	1	Barrel Assembly, Right Hand
	000-166-312	1	Barrel Assembly, Left Hand
3	LP	1	Nut, Lock, 1/2"-20UNF
4	000-166-313	1	Piston
5	NSS	1	Uniring
6	NSS	2	Ring, Back Up
7	NSS	1	O-Ring
8	NSS	1	O-Ring
9	NSS	1	Ring, Back Up
10	000-166-314	1	Head, Cap, Threaded
11	NSS	1	U-Cup, Loaded
12	NSS	1	Wiper, Rod
13	000-166-315	1	Cap, Threaded
14	LP	1	Screw, Set, 1/4"-20UNC x 1/4" Long
15	000-166-316	1	Rod Assembly
	000-166-317	AR	Kit, Cylinder Repair Includes: Items 5 thru 9, 11 & 12

AR - As Required NSS - Not Serviced Separately ASN - After Serial No. BSN - Before Serial No. LP - Local Purchase