



AGRICULTURAL MACHINERY

**sitrex**<sup>®</sup>  
srl

---

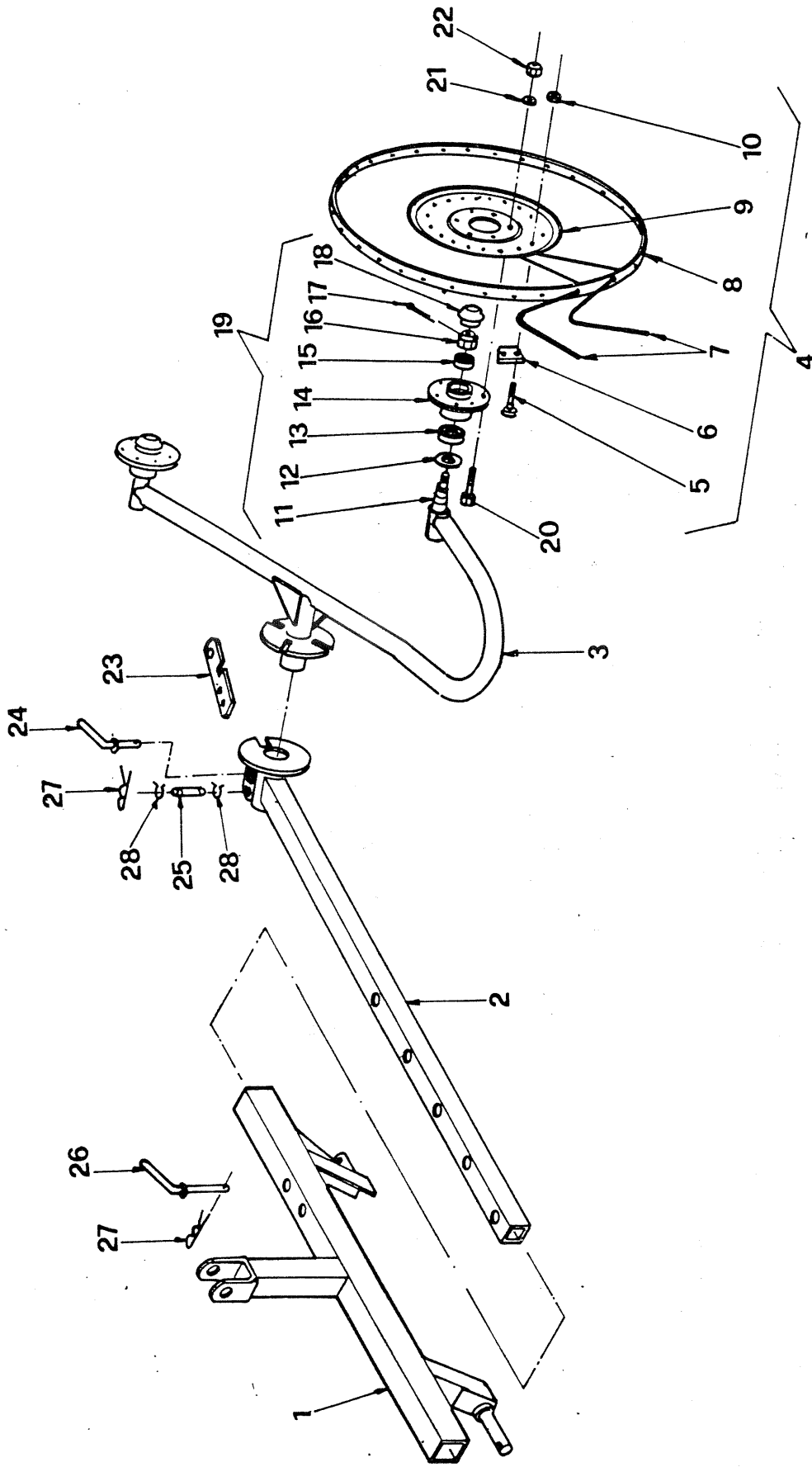
---

## SPARE PARTS LIST

RP/2 - RP/3

RP/2

TABLE NO. 920.033



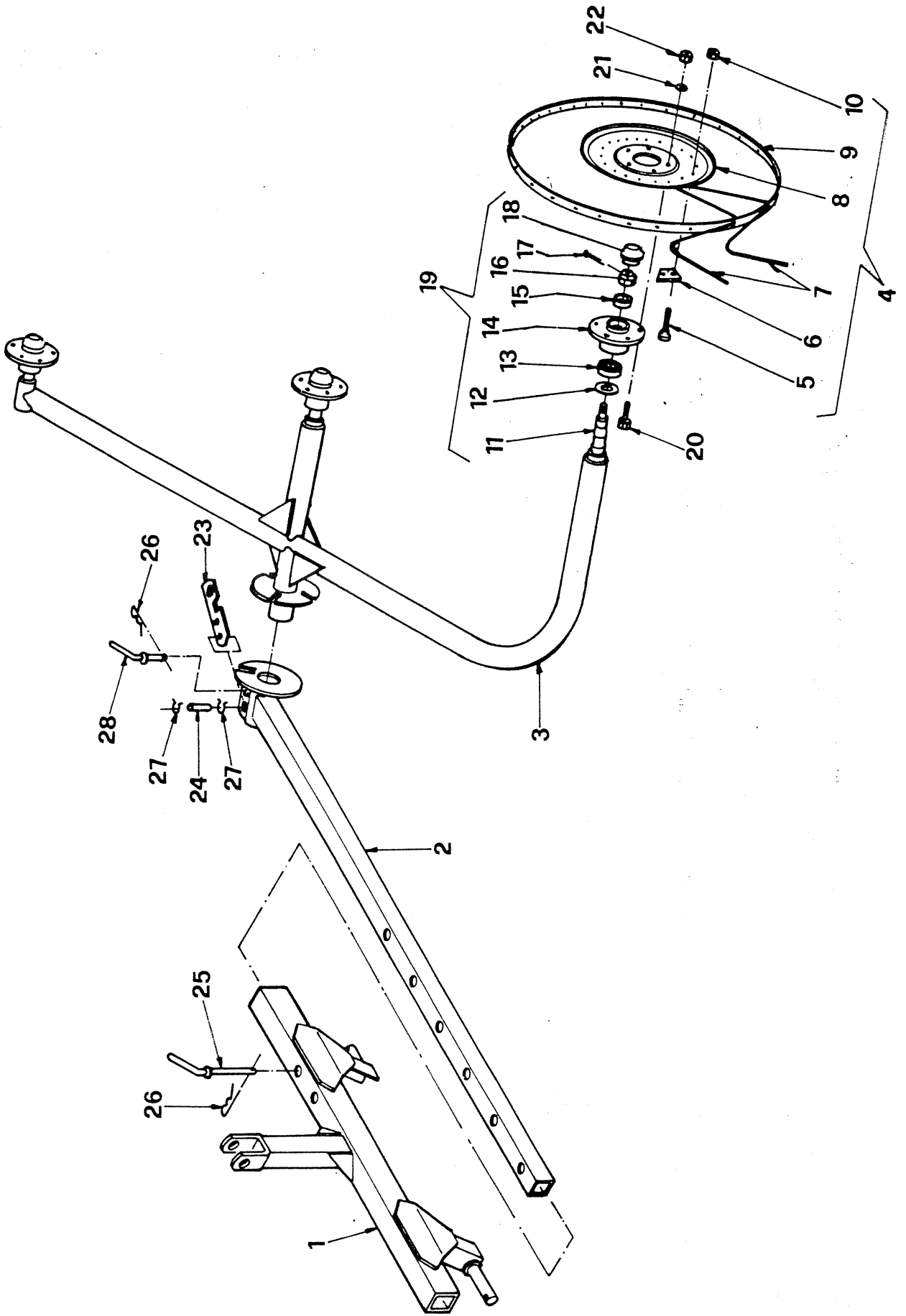
## 920.033

RR/2 RAKE - SPARE PARTS LIST

Item	Qty	Part no.	Description
1	1	200.220	FRAME
2	1	200.221	SLIDING ARM
3	1	200.077	WHEEL ARM
4	2	<b>210.180</b>	R.H. WHEEL ASSY
5	40	600.005	SCREW
6	20	200.012	TINE PLATE
7	80	200.011	TINE
8	2	200.009	RIM
9	2	200.010	FLANGE
10	40	<b>600.029</b>	NUT
11	2	205.277	PIN
12	2	600.011	DUST COVER
13	2	600.012	BEARING
14	2	600.013	HUB BODY
15	2	600.014	BEARING
16	2	600.015	NUT
17	2	600.301	SPLIT PIN
18	2	600.016	HUB CAP
19	2	205.041	WHEEL HUB ASSY
20	12	600.006	SCREW
21	12	600.024	SPRING WASHER
22	12	600.010	NUT
23	1	200.073	LEVER
24	1	200.075	PIN
25	1	200.074	PIN
26	1	200.222	PIN
27	2	600.019	SPLIT PIN
28	2	600.023	SNAP RING

RP/3

TABLE NO. 920.034



920.034

RP/3 RAKE - SPARE PARTS LIST

Item	Qty	Part no.	Description
1	1	200.215	FRAME
2	1	200.216	SLIDING ARM
3	1	200.207	WHEEL ARM
4	3	210.180	R.H. WHEEL ASSY
5	60	600.005	SCREW
6	30	200.012	TINE PLATE
7	120	200.011	TINE
8	3	200.010	FLANGE
9	3	200.009	RIM
10	60	600.029	NUT
11	3	205.277	PIN
12	3	600.011	DUST COVER
13	3	600.012	BEARING
14	3	600.013	HUB BODY
15	3	600.014	BEARING
16	3	600.015	NUT
17	3	600.301	SPLIT PIN
18	3	600.016	HUB CAP
19	3	205.041	HUB ASSY
20	18	600.006	SCREW
21	18	600.024	SPRING WASHER
22	18	600.010	NUT
23	1	200.073	LEVER
24	1	200.074	PIN
25	1	200.222	PIN
26	2	600.019	SPLIT PIN
27	2	600.023	SNAP RING
28	1	200.075	PIN



Zona Industriale - 06018 TRESTINA - (Perugia) - ITALY  
Tel. (075) 8540021 r. a. -