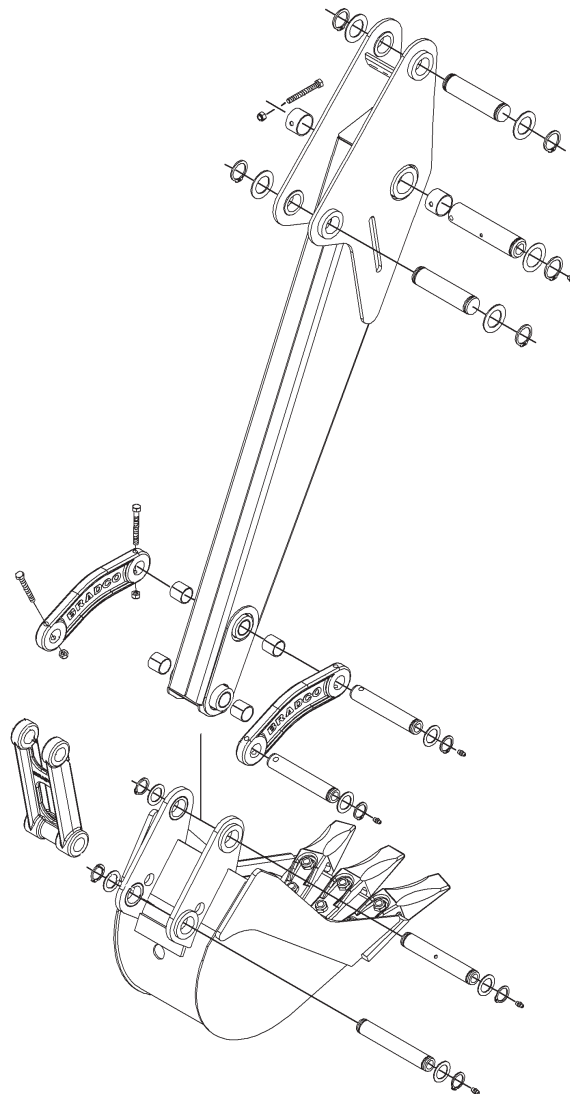


# 365 BACKHOE PARTS MANUAL

 **BRADCO** **FFC** **HARLEY** **THE MAJOR** **McMILLEN** **SWEEPSTER****PALADIN** LIGHT CONSTRUCTION

**SERIAL NUMBER:** \_\_\_\_\_

**MODEL NUMBER:** \_\_\_\_\_

**Manual Number: PM703**  
**Part Number: 75603**  
**Rev. 2**



## LIMITED WARRANTY

All new Bradco products are warranted to be free from defects in materials or workmanship which may cause failure under normal usage and service when used for the purpose intended.

In the event of failure within twenty four (24) months from initial retail sale, lease or rental date (excluding cable, ground engaging parts such as sprockets, digging chain, bearings, teeth, tamping and demolition heads, blade cutting edges, pilot bits, auger teeth, auger heads & broom bristles), if after examination, Bradco determines failure was due to defective material and/or workmanship, parts will be repaired or replaced. Bradco may request defective part or parts be returned prepaid to them for inspection at their place of business at Delhi, Iowa, or to a location specified by Bradco.

Any claims under this warranty must be made within fifteen (15) days after the Buyer learns of the facts upon which such claim is based. All claims not made in writing and received by Bradco within the time period specified above shall be deemed waived.

**THIS WARRANTY IS IN LIEU OF ALL OTHER WARRANTIES EXPRESSED OR IMPLIED AND THERE ARE NO WARRANTIES OF MERCHANTABILITY OR OF FITNESS FOR A PARTICULAR PURPOSE. IN NO EVENT SHALL BRADCO BE LIABLE FOR CONSEQUENTIAL OR SPECIAL DAMAGE.**

**BRADCO'S LIABILITY FOR ANY AND ALL LOSSES AND DAMAGES TO BUYER, RESULTING FROM ANY CAUSE WHATSOEVER, INCLUDING BRADCO'S NEGLIGENCE, IRRESPECTIVE OF WHETHER SUCH DEFECTS ARE DISCOVERABLE OR LATENT, SHALL IN NO EVENT EXCEED THE PURCHASE PRICE OF THE PARTICULAR PRODUCTS WITH RESPECT TO WHICH LOSSES OR DAMAGES ARE CLAIMED, OR, AT THE ELECTION OF BRADCO, THE REPAIR OR REPLACEMENT OF DEFECTIVE OR DAMAGED PRODUCTS.**



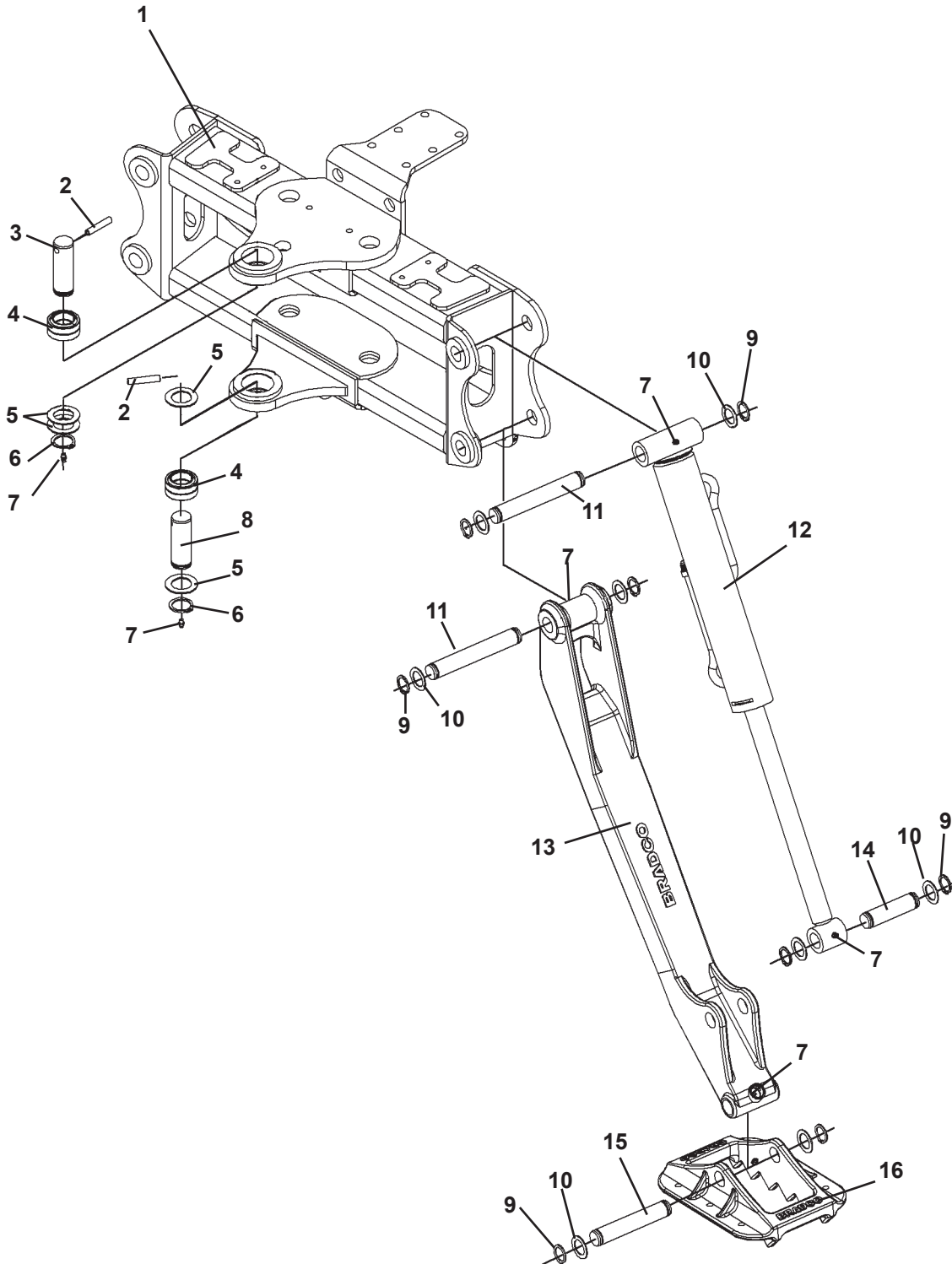
# TABLE OF CONTENTS

<b>MAINFRAME ASSEMBLY</b> .....	<b>#103745</b>
MAINFRAME / STABILIZERS .....	4-5
SWING POST .....	6-7
<b>3-POINT HITCH ADAPTER KIT</b> .....	<b>#107100</b>
3-POINT HITCH ADAPTER.....	8-9
<b>BOOM &amp; DIPPER ASSEMBLY</b> .....	<b>#105243</b>
BOOM.....	10-11
DIPPER .....	12-13
<b>CONSOLE ASSEMBLY</b> .....	<b>#105246</b>
CONSOLE .....	14-15
<b>VALVE ASSEMBLY</b> .....	<b>#2263</b>
VALVE .....	17
VALVE ASSEMBLY.....	18-19
<b>CYLINDER ASSEMBLIES</b>	
SWING CYLINDER #103661 .....	20-21
STABILIZER CYLINDER #103649 .....	22-23
BOOM CYLINDER #103669 .....	24-25
DIPPER CYLINDER #103677 .....	26-27
BUCKET CYLINDER #103687 .....	28-29
<b>MAINFRAME HOSE KIT</b> .....	<b>#38422</b>
MAINFRAME HOSES .....	30-31
<b>BOOM &amp; DIPPER HOSE KIT</b> .....	<b>#38427</b>
BOOM & DIPPER HOSES .....	32-33
<b>BUCKET OPTIONS</b> .....	34-35
<b>STABILIZER PAD OPTIONS</b> .....	36-37
<b>DECAL SET</b> .....	<b>40919</b>
DECAL PLACEMENT.....	38
DECALS .....	39-40

# MAINFRAME ASSEMBLY

ASSEMBLY #103745

DIAGRAM 1 OF 2



10621 7-25-06

# MAINFRAME ASSEMBLY

ASSEMBLY #103745

LIST 1 OF 2

<u>ITEM</u>	<u>REQ'D</u>	<u>PART NO.</u>	<u>DESCRIPTION</u>
1	1	103734	Mainframe
2	2	10035	Roll Pin
3	1	104462	Upper Mainframe Pivot Pin 1.25" x 3.50"
4	2	62523	Self-Aligning Bushing
5	Varies	57693	Thrust Washer 1.25" x .078"
	Varies	64727	Thrust Washer 1.25" x .123"
	Varies	64728	Thrust Washer 1.25" x .031"
6	2	1652	Snap Ring
7	10	6616	Grease Fitting
8	1	104464	Lower Mainframe Pivot Pin 1.25" x 3.43"
9	16	6612	Snap Ring
10	Varies	57462	Thrust Washer 1.00" x .06
11	4	104460	Stabilizer Pivot Pin 1.00" x 6.09"
12	2	103649	Stabilizer Cylinder Assembly
	-	45478	Replacement Cylinder Seal Kit
13	2	102621	Stabilizer Arm
14	2	89978	Pivot Pin 1.00" x 3.25"
15	2	104459	Stabilizer Pad Pivot Pin 1.00" x 4.98"
16	2	102619	Stabilizer Pad (Optional Bolt-On Rubber Pad Kit #103676)

10622 7-25-06





# MAINFRAME ASSEMBLY

ASSEMBLY #103745

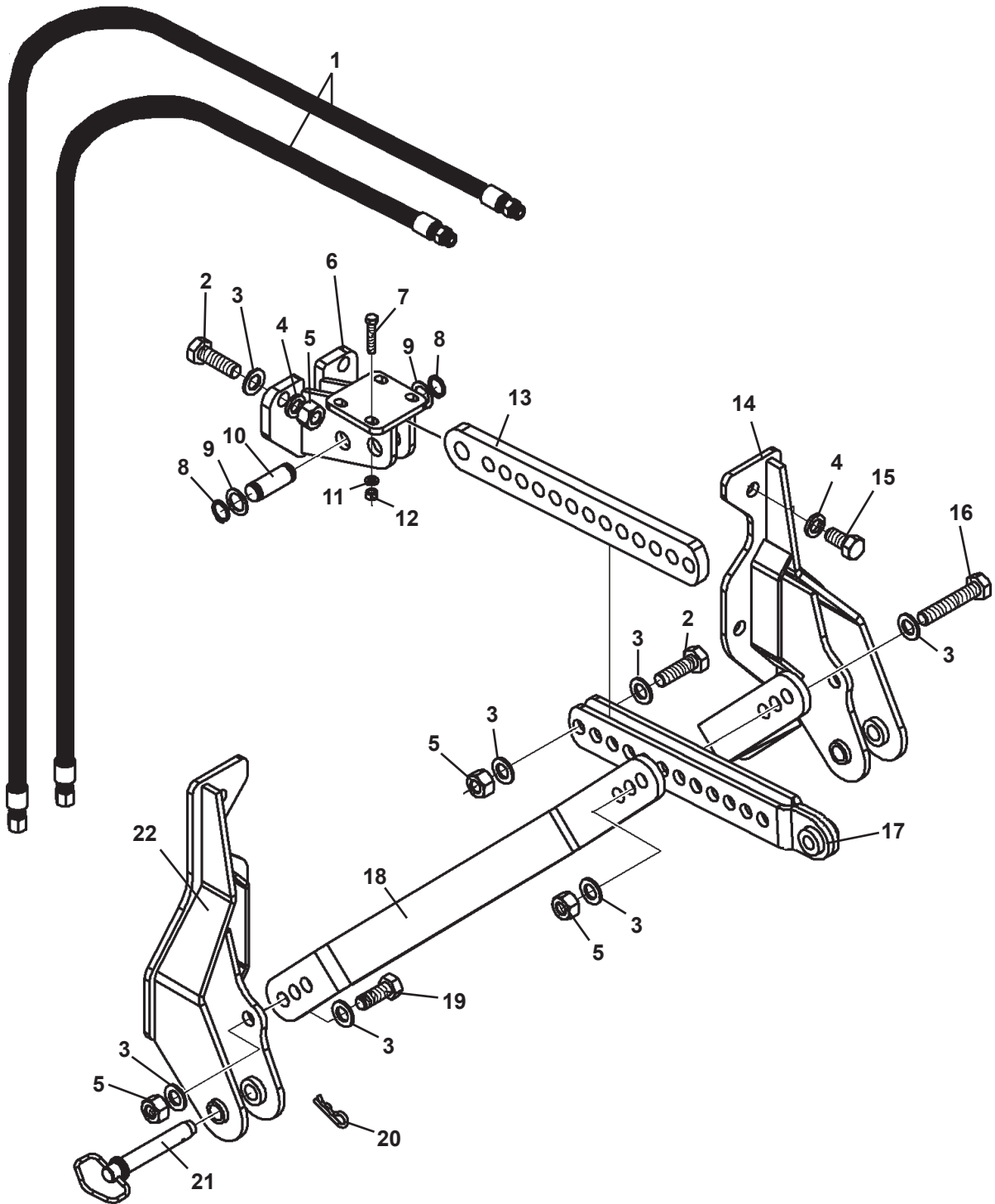
LIST 2 OF 2

<u>ITEM</u>	<u>REQ'D</u>	<u>PART NO.</u>	<u>DESCRIPTION</u>
1	4	1043	.38" UNC X 1.00" Hex Capscrew
2	4	1503	.38" Lock Washer
3	4	1514	.38" Flat Washer
4	4	81807	Spacer Tube
5	2	53031	90° Grease Fitting
6	2	104454	Cylinder Pivot Pin - Top 1.25x4.35
7	Varies	57693	Thrust Washer 1.25" x .078"
	Varies	64727	Thrust Washer 1.25" x .123"
	Varies	64728	Thrust Washer 1.25" x .031"
8	2	3434	90° Elbow 6MBo-6MJ
9	2	30164	Special Tee 6MBo-6MJ-6MJ
10	2	1652	Snap Ring
11	5	6616	Grease Fitting
12	2	104463	Cylinder Pin 1.25" x 5.00"
13	3	10035	Roll Pin
14	2	104456	Cylinder Pivot Pin - Bottom 1.25" x 3.92"
15	1	87363	Swing Lock Pin
16	1	102614	Swing Post
17	1	104466	Boom Cylinder Pin 1.25" x 3.00"
18	2	1976	Rotor Clip
19	1	104465	Boom Pivot Pin 1.38" x 7.15"
20	Varies	83975	Thrust Washer 1.38" x .031"
	Varies	83976	Thrust Washer 1.38" x .090"
	Varies	83977	Thrust Washer 1.38" x .125"
21	1	1650	Snap Ring
22	2	103661	Swing Cylinder Assembly (Includes (4) 86564 Bushings)
	-	45703	Replacement Cylinder Seal Kit

10624 7-25-06

# 3-POINT HITCH ADAPTER KIT

ASSEMBLY #107100



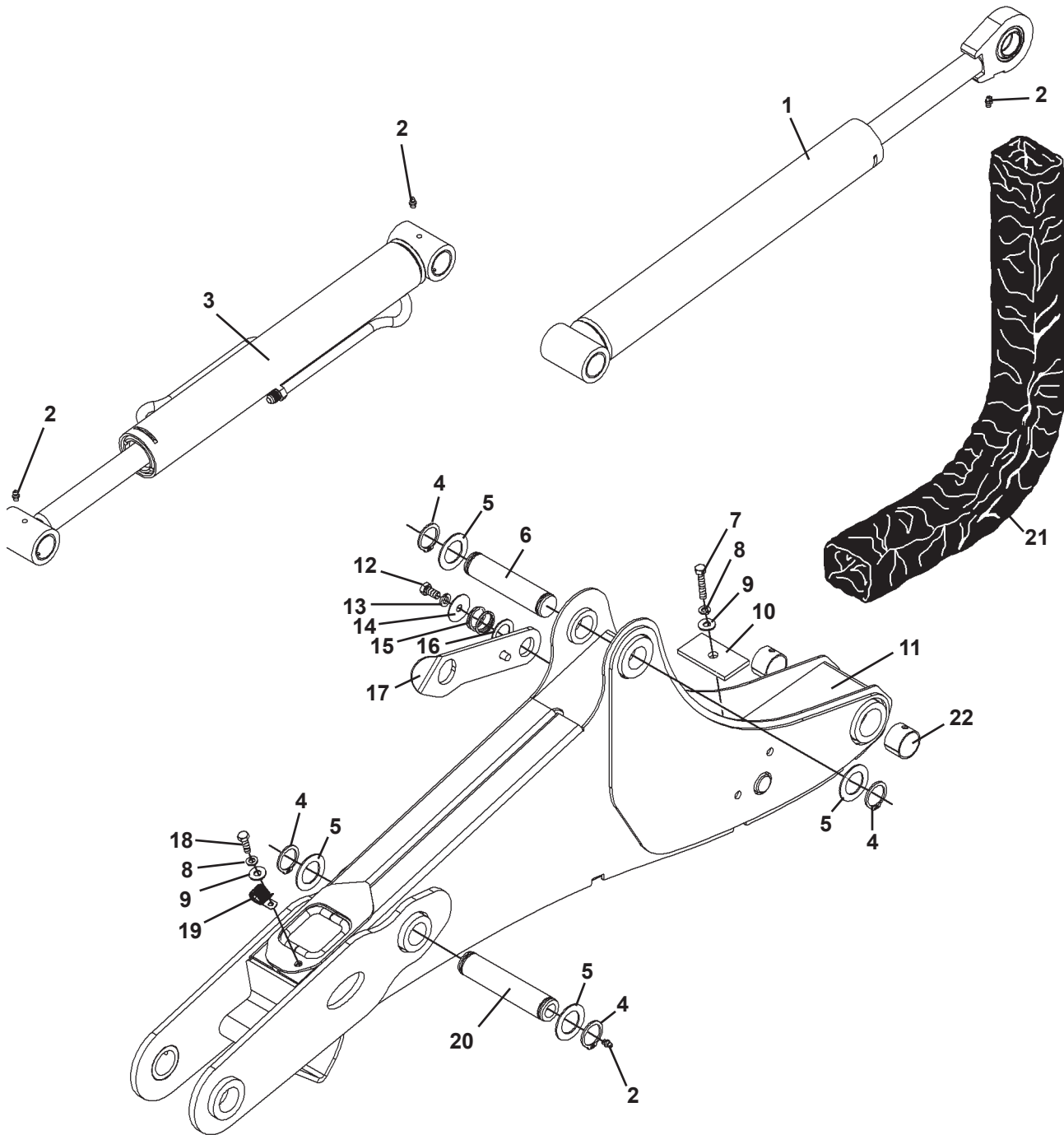
# 3-POINT HITCH ADAPTER KIT

ASSEMBLY #107100

<u>ITEM</u>	<u>REQ'D</u>	<u>PART NO.</u>	<u>DESCRIPTION</u>
1	2	38474	Hose .50" X 40" 8MBo-8FJX
2	3	1141	.75" UNC X 2.50" Hex Capscrew
3	10	1649	.75" Hard Flat Washer
4	8	1507	.75" Lock Washer
5	6	1534	.75" UNC Nylock Nut
6	1	106319	Upper Support Bracket
7	4	1047	.38" UNC X 2.00" Hex Capscrew
8	2	6612	Snap Ring
9	2	57462	Thrust Washer
10	1	86620	Pivot Pin
11	4	1503	.38" Lock Washer
12	4	1226	.38" UNC Hex Nut
13	1	107101	Center Single Link
14	1	107097	Right Mount
15	6	1137	.75" UNC X 1.50" Hex Capscrew
16	1	1147	.75" UNC X 4.00" Hex Capscrew
17	1	107548	Center Double Link
18	2	107549	Hitch Arm Lock
19	2	1139	.75" UNC X 2.00" Hex Capscrew
20	--	1985	Replacement Hairpin
21	2	1987	Hitch Pin (Included Hairpin #1985)
22	1	107092	Left Mount

# BOOM & DIPPER ASSEMBLY

ASSEMBLY #105243



# BOOM & DIPPER ASSEMBLY

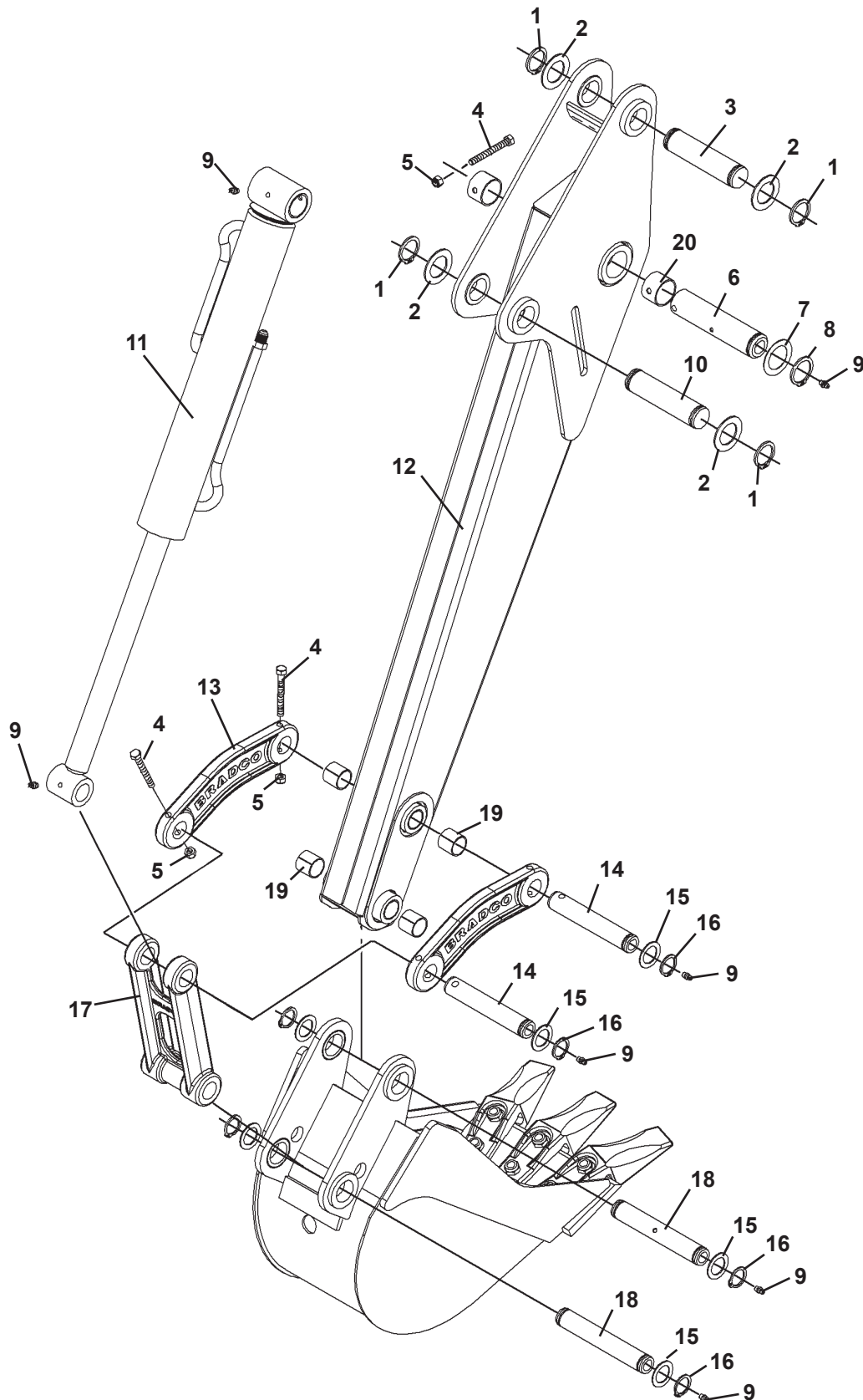
ASSEMBLY #105243

<u>ITEM</u>	<u>REQ'D</u>	<u>PART NO.</u>	<u>DESCRIPTION</u>
1	1	103669	Boom Cylinder Assembly (Includes (1) 62523 Bushing and (2) 86564 Bushings)
	-	45703	Replacement Cylinder Seal Kit
2	4	6616	Grease Fitting
3	1	103677	Dipper Cylinder Assembly (Includes (4) 86564 Bushings)
	-	45478	Replacement Cylinder Seal Kit
4	4	1652	Snap Ring
5	Varies	57693	Thrust Washer 1.25" x .078"
	Varies	64727	Thrust Washer 1.25" x .123"
	Varies	64728	Thrust Washer 1.25" x .031"
6	1	104468	Dipper Cylinder Pin 1.25" x 4.82"
7	1	1025	.31" UNC X 1.75" Hex Capscrew
8	2	1502	.31" Lock Washer
9	2	1513	.31" Flat Washer
10	1	103729	Hose Clamp Plate
11	1	103705	Boom ( Includes (2) 85722 Bushings)
12	1	1042	.38" UNC X .75" Hex Capscrew
13	1	1503	.38" Lock Washer
14	1	22298	Special Washer
15	1	105245	Compression Spring
16	1	57462	Thrust Washer 1.00"
17	1	105244	Boom Lock
18	1	1022	.31" UNC X 1.00" Hex Capscrew
19	1	82859	Double Hose Clamp
20	1	104467	Boom Cylinder Pin 1.25" x 5.50"
21	1	34078	Hose Sock 4" x 40"
22	-	85772	Replacement Bushing (Included in Boom)

10626 7-26-06

# BOOM & DIPPER ASSEMBLY

ASSEMBLY #105243



10627 7-26-06

# BOOM & DIPPER ASSEMBLY

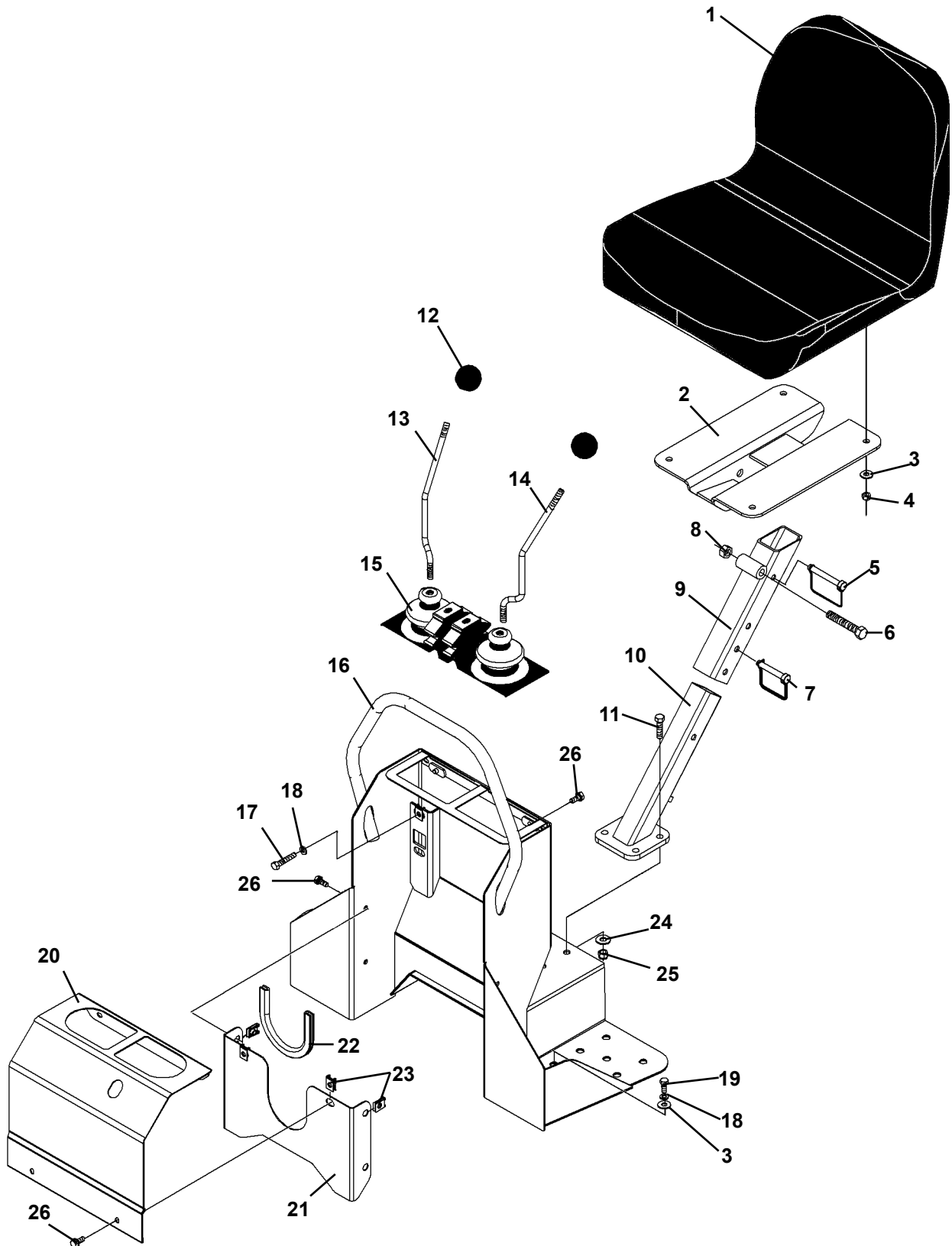
ASSEMBLY #105243

<u>ITEM</u>	<u>REQ'D</u>	<u>PART NO.</u>	<u>DESCRIPTION</u>
1	4	1652	Snap Ring
2	Varies	57693	Thrust Washer 1.25" x .078"
	Varies	64727	Thrust Washer 1.25" x .123"
	Varies	64728	Thrust Washer 1.25" x .031"
3	1	104471	Dipper Cylinder Pin 1.25" x 4.47"
4	3	1029	.31" UNC X 2.75" Hex Capscrew
5	3	1753	.31" UNC Nylock Nut
6	1	104470	Boom Pivot Pin 1.38" x 5.25"
7	Varies	83975	Thrust Washer 1.38" x .031"
	Varies	83976	Thrust Washer 1.38" x .090"
	Varies	83977	Thrust Washer 1.38" x .125"
8	1	1650	Snap Ring
9	7	6616	Grease Fitting
10	1	104471	Bucket Cylinder Pin 1.25" x 4.47"
11	1	103687	Bucket Cylinder Assembly (Includes (2) 86564 Bushings)
	-	45478	Replacement Cylinder Seal Kit
12	1	103722	Dipper (Includes (4) 88380 Bushings and (2) 85772 Bushings)
13	2	102623	Dipper Link
14	2	104472	Dipper Link Pivot Pin 1.00" x 5.50"
15	6	57462	Thrust Washer 1.00"
16	6	6612	Snap Ring
17	1	102622	Bucket Link
18	2	104473	Bucket Pivot Pin 1.00" x 5.75"
19	-	88380	Replacement Bushing (Included in Dipper)
20	-	85772	Replacement Bushing (Included in Dipper)

10628 7-26-06

# CONSOLE ASSEMBLY

ASSEMBLY #105246



10617 1-4-08-2



# CONSOLE ASSEMBLY

ASSEMBLY #105246

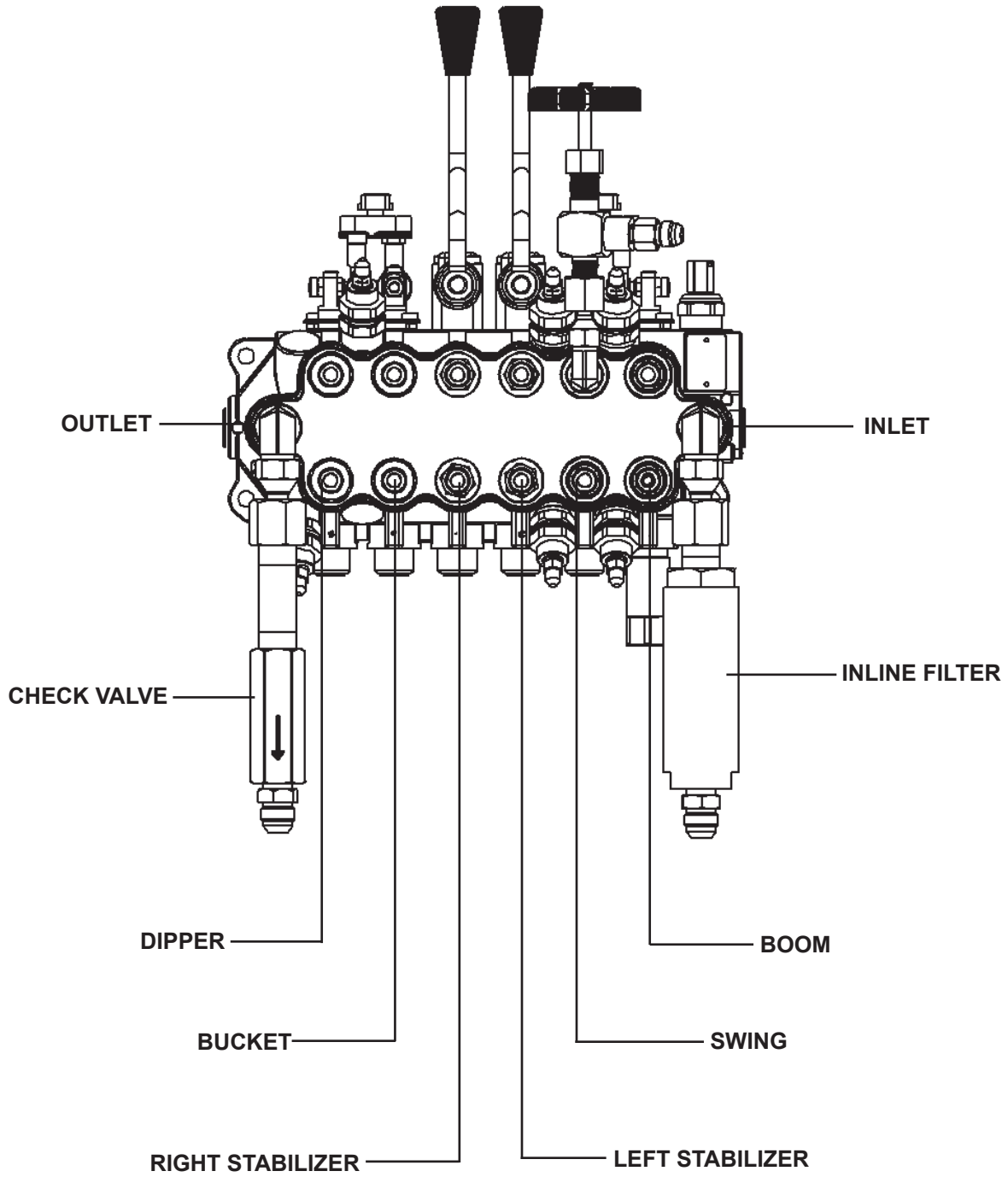
<u>ITEM</u>	<u>REQ'D</u>	<u>PART NO.</u>	<u>DESCRIPTION</u>
1	1	105988	Seat
2	1	107438	Seat Mounting
3	8	1513	.31" Lock Washer
4	4	1753	.31" UNC Nylock Nut
5	1	107439	Safety Snap Pin (3" Long)
6	1	1096	.50" UNC X 3.00" Hex Capscrew
7	1	105247	Safety Snap Pin (2.50" Long)
8	1	1841	.50" UNC Deformed Lock Nut
9	1	105241	Seat Mounting Tube
10	1	105240	Seat Pedestal
11	4	1045	.38" UNC X 1.50" Hex Capscrew
12	2	85838	Ball Knob
13	1	87952	Right Control Handle
14	1	87951	Left Control Handle
15	1	83235	Rubber Control Lever Boot
16	1	105242	Console
17	3	1025	.31" UNC X 1.75" Hex Capscrew
18	7	1502	.31" Lock Washer
19	4	1021	.31" UNC X .75" Hex Capscrew
20	1	105237	Console Cover
21	1	105238	Console Hose Cover
22	1	34128	Rubber Edging
23	9	1756	.31" UNC Spring Nut
24	4	1514	.38" Flat Washer
25	4	1536	.38" UNC Nylock Nut
26	8	1930	.31" UNC X .75" Flangehead Capscrew

10618 1-4-08-2



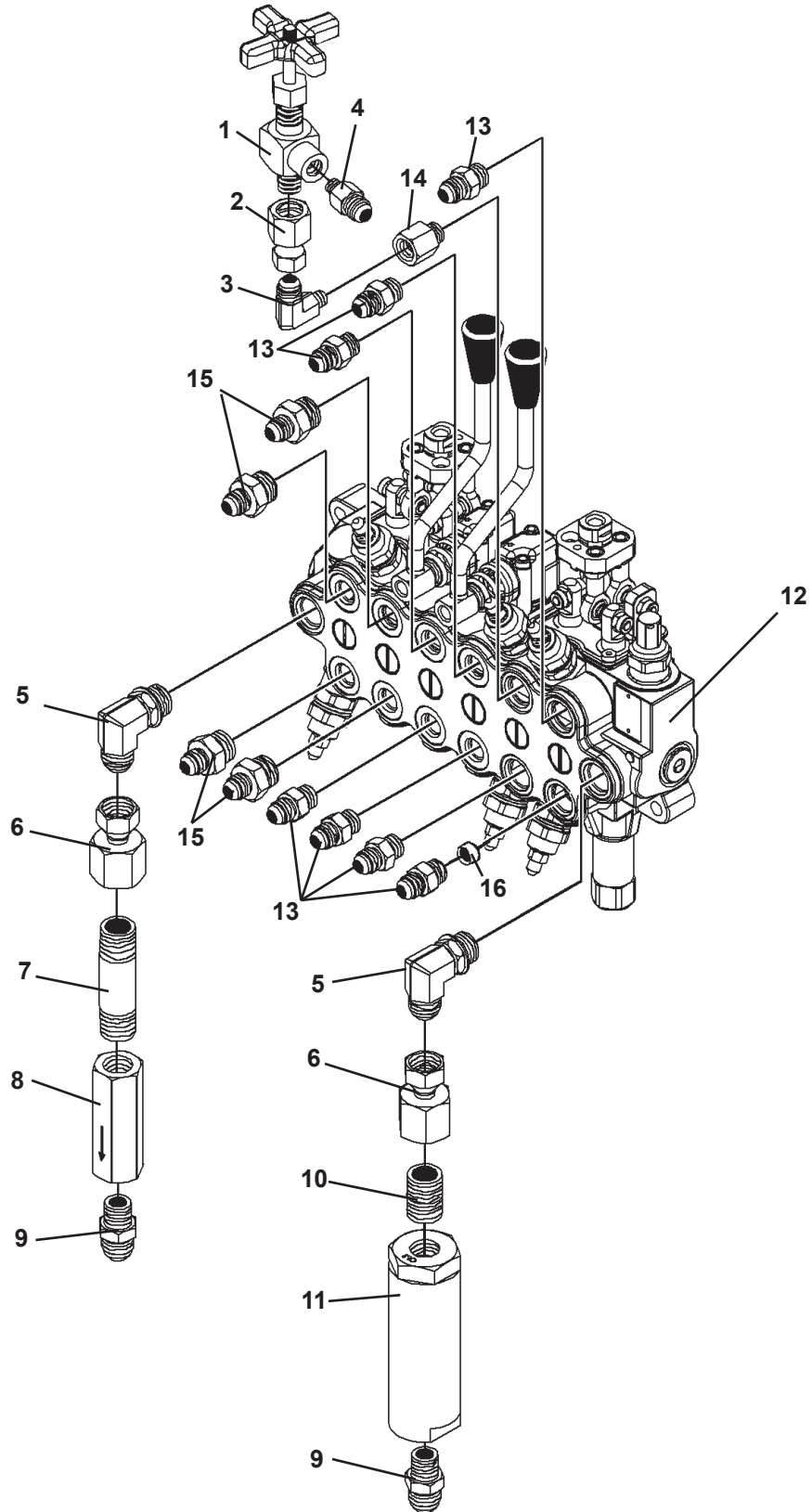
# VALVE ASSEMBLY

ASSEMBLY #2263



# VALVE ASSEMBLY

ASSEMBLY #2263



# VALVE ASSEMBLY

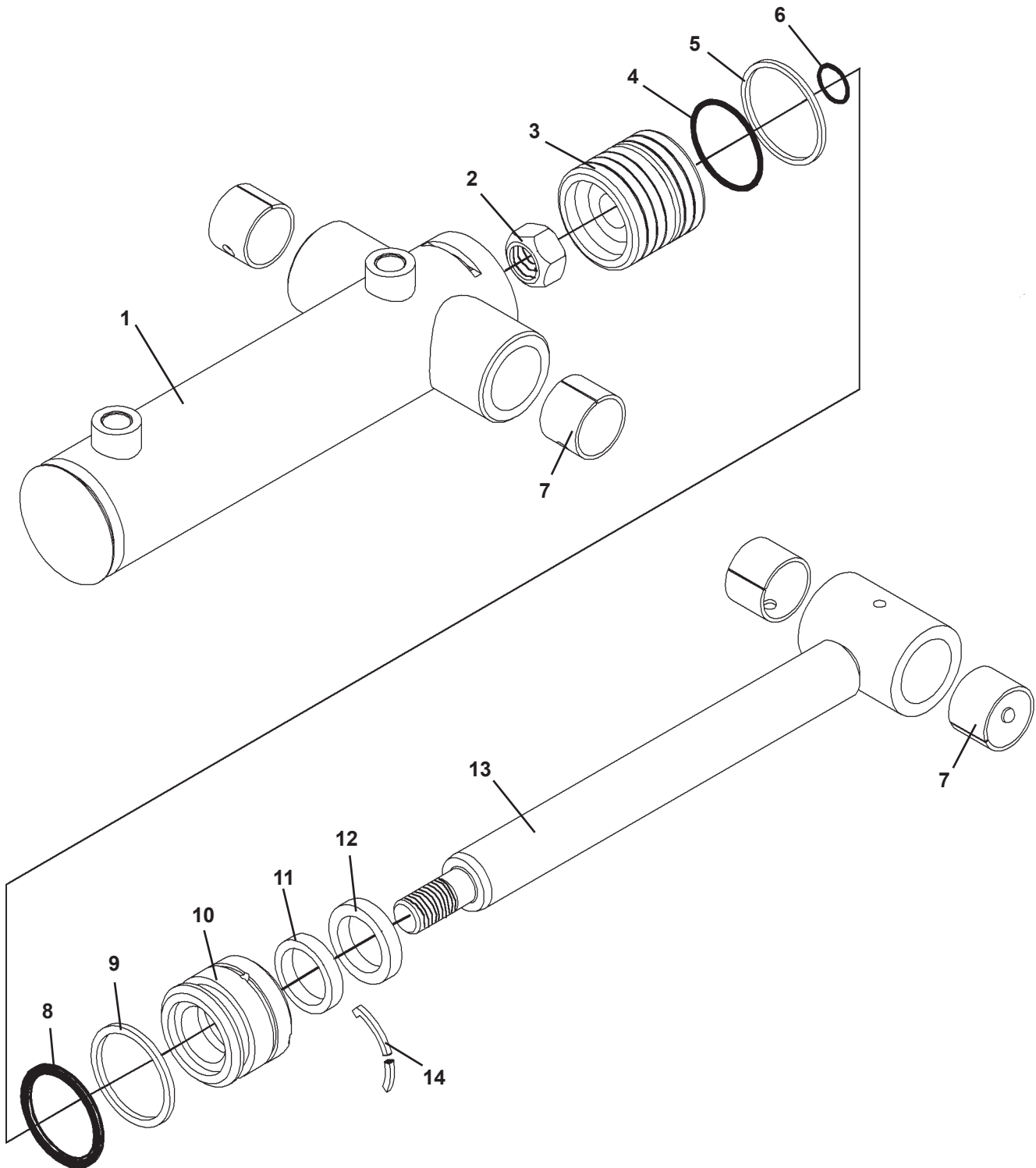
ASSEMBLY #2263

<u>ITEM</u>	<u>REQ'D</u>	<u>PART NO.</u>	<u>DESCRIPTION</u>
1	1	3185	Needle Valve
2	1	30187	Straight Connector 4FP-6FJX
3	1	3001	90° Elbow 4MP-6MJ
4	1	3137	Straight Connector 6MJ-4MP
5	2	3104	90° Elbow 8MBo-8MJ
6	2	3273	Straight Connector 8FJX-8FP
7	1	30305	Nipple 8MP - 3" Long
8	1	45691	Check Valve (Hex) (Not Included in Valve Assembly #2263)
9	2	3070	Straight Connector 8MJ-8MP
10	1	3211	Close Nipple 8MP
11	1	45132	Inline Filter (Round) (Not Included in Valve Assembly #2263)
12	1	105248	Valve - Bucher Monoblock (Includes Items #13 - #16)
13	7	3457	Replacement Connector 6MBo-6MJ (Included with Valve)
14	1	3461	Replacement Connector 6MBo-4FP (Included with Valve)
15	4	3269	Replacement Connector 8MBo-6MJ (Included with Valve)
16	1	108247	Restrictor Orifice (Included with Valve)

10640 7-31-06

# SWING CYLINDER ASSEMBLY

ASSEMBLY #103661



# SWING CYLINDER ASSEMBLY

ASSEMBLY #103661

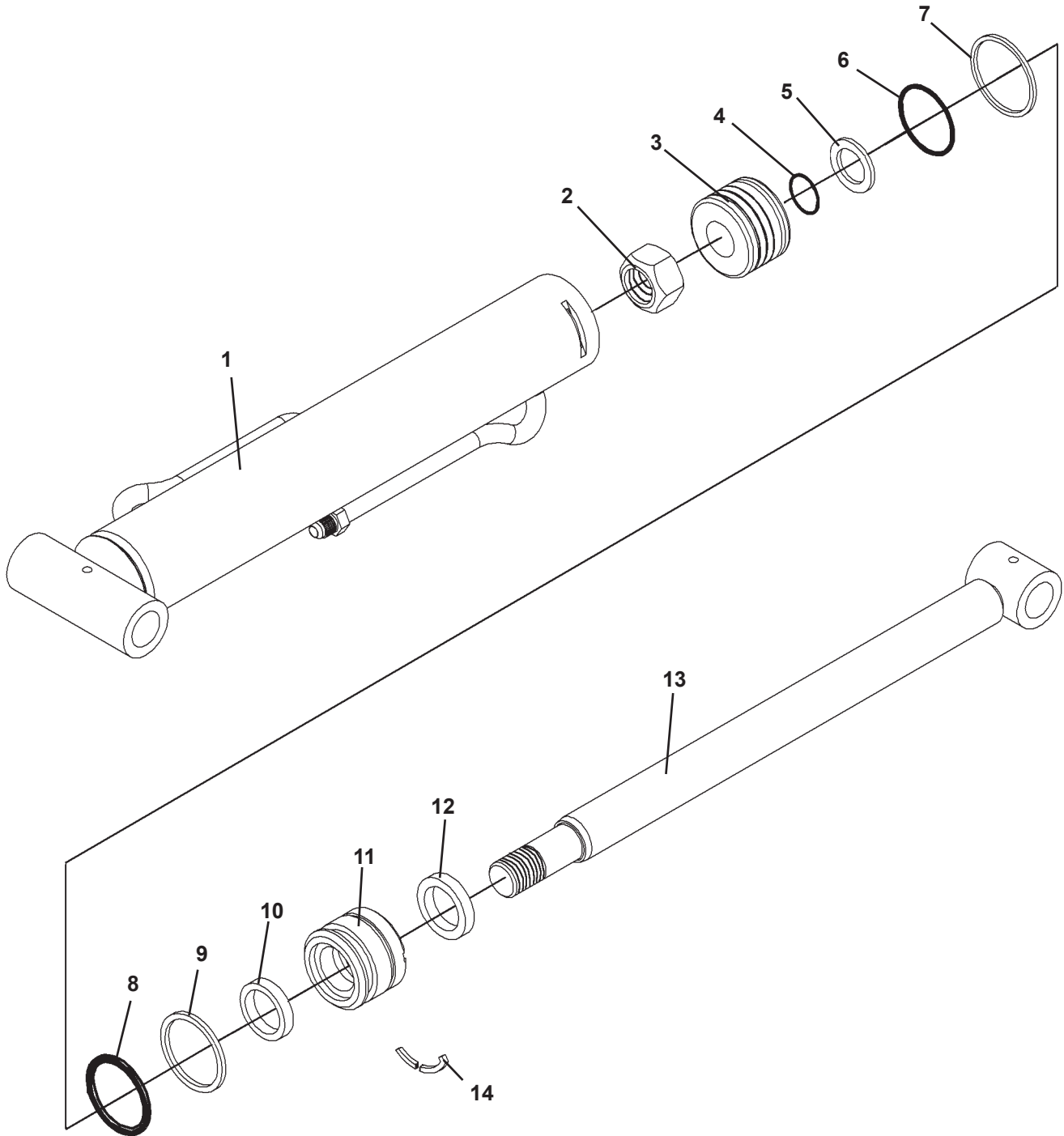
<u>ITEM</u>	<u>REQ'D</u>	<u>PART NO.</u>	<u>DESCRIPTION</u>
1	1	103665	Cylinder Tube
2	1	10001	Hex Nut (Torque to 175-225 ft. lbs.)
3	1	88578	Piston
4	1	45443*	O'Ring
5	1	45701*	Piston Ring
6	1	4501*	O'Ring
7	4	86564	Bushing
8	1	45699*	O'Ring
9	1	45700*	Back-Up Washer
10	1	86508	Gland
11	1	45219*	Poly-Pak Seal
12	1	4974*	Rod Wiper
13	1	103662	Cylinder Rod
14	1	7165*	Gland Retainer Rod

**NOTE: Seal Kit #45703 includes all parts marked with an asterisk(\*). Parts are not sold separately.**

10632 7-27-06

# STABILIZER CYLINDER ASSEMBLY

ASSEMBLY #103649





# STABILIZER CYLINDER ASSEMBLY

ASSEMBLY #103649

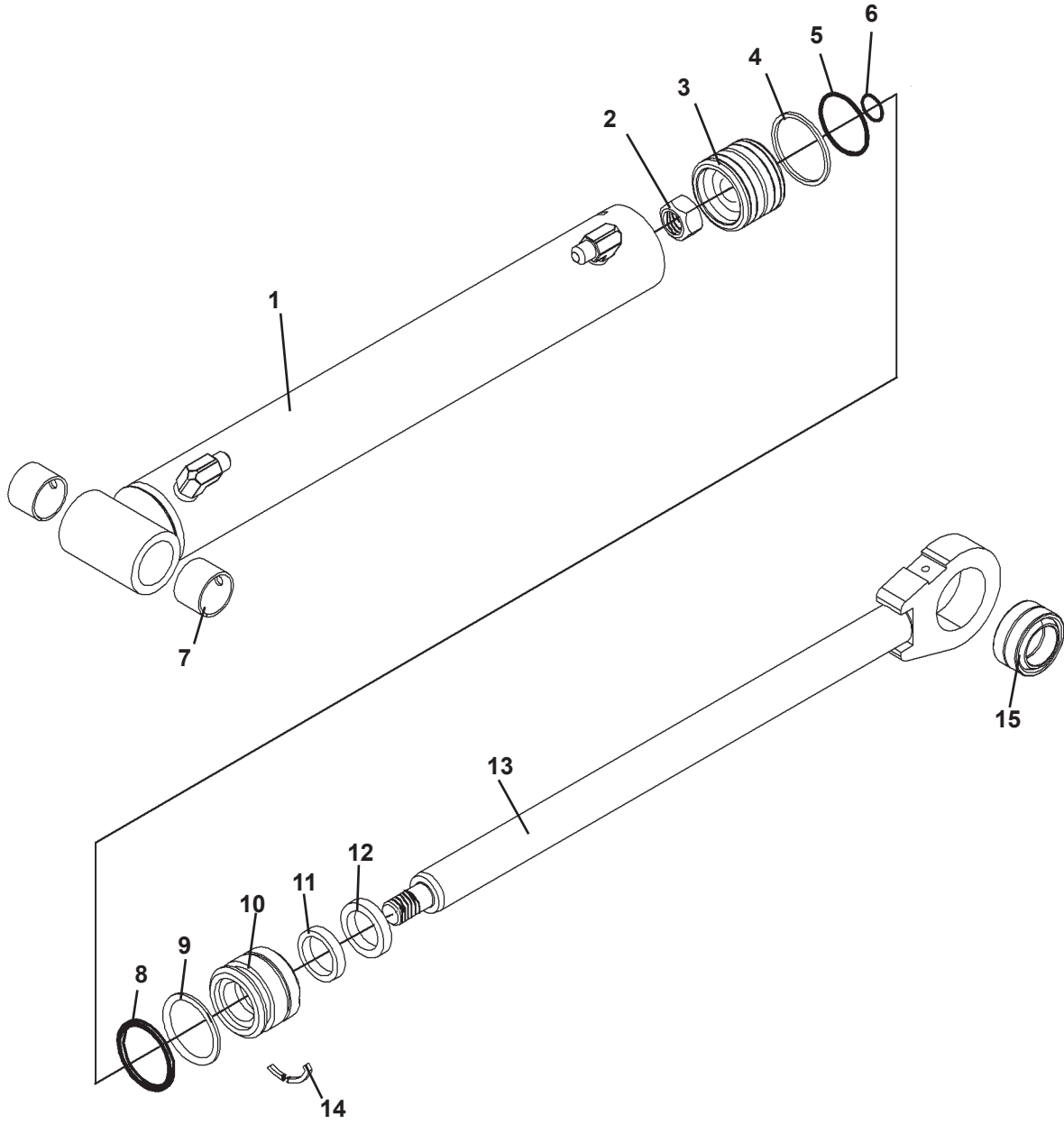
<u>ITEM</u>	<u>REQ'D</u>	<u>PART NO.</u>	<u>DESCRIPTION</u>
1	1	103651	Cylinder Tube
2	1	1483	Hex Nut (Torque to 230-325 ft. lbs.)
3	1	106372	Piston
4	1	4641*	O'Ring
5	1	5421	Washer
6	1	45443*	O'Ring
7	1	45701*	Piston Ring
8	1	45699*	O'Ring
9	1	45700*	Back-Up Washer
10	1	45219*	Poly-Pak Seal
11	1	86508	Gland
12	1	4974*	Rod Wiper
13	1	103650	Cylinder Rod
14	1	7165*	Gland Retainer Rod

**NOTE: Seal Kit #45478 includes all parts marked with an asterisk(\*). Parts are not sold separately.**

10630 7-27-06

# BOOM CYLINDER ASSEMBLY

ASSEMBLY #103669



# BOOM CYLINDER ASSEMBLY

ASSEMBLY #103669

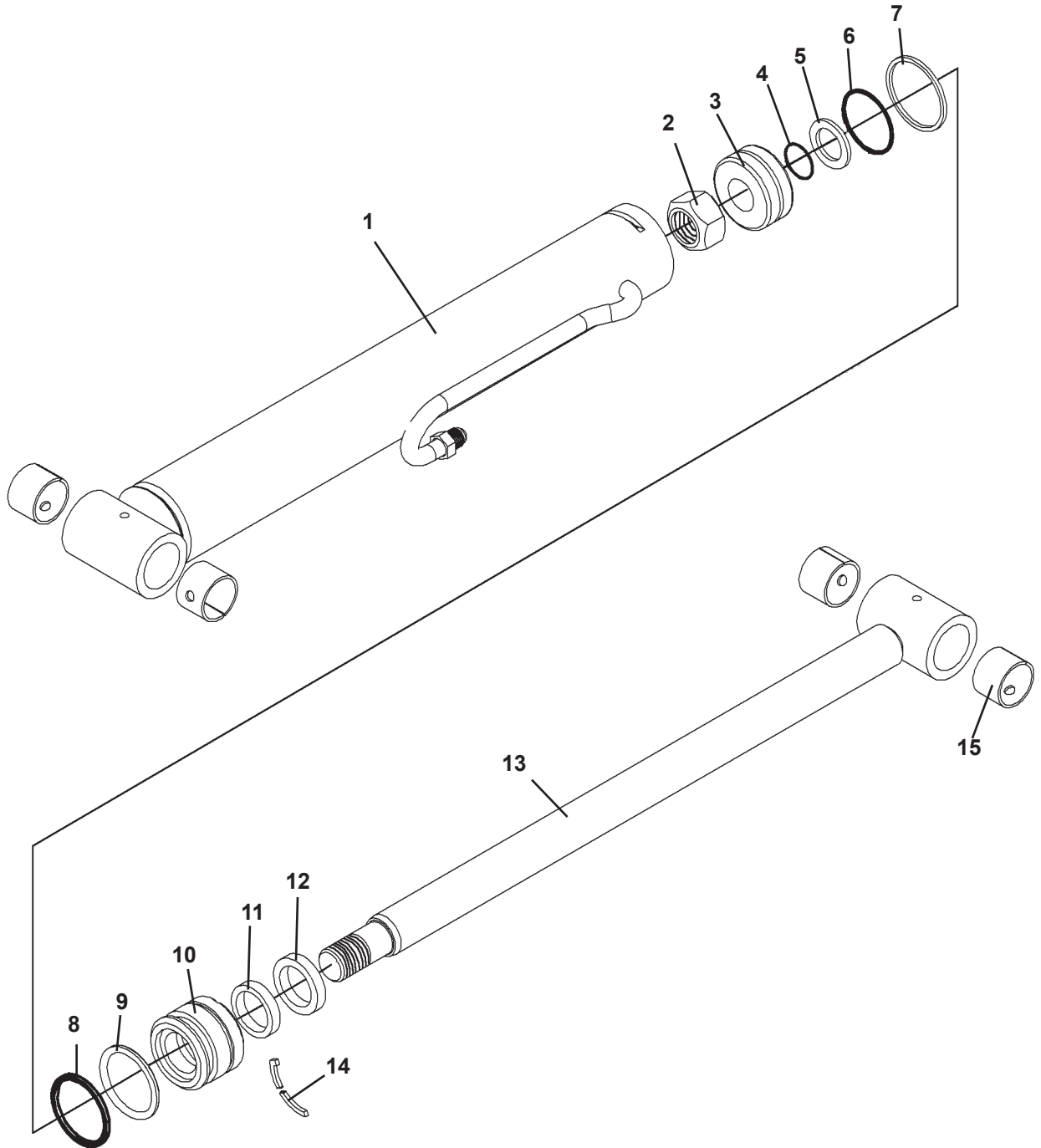
<u>ITEM</u>	<u>REQ'D</u>	<u>PART NO.</u>	<u>DESCRIPTION</u>
1	1	103672	Cylinder Tube
2	1	10001	Hex Nut (Torque to 175-225 ft. lbs.)
3	1	103609	Piston
4	1	45701*	Piston Ring
5	1	45443*	O'Ring
6	1	4501*	O'Ring
7	2	86564	Bushing
8	1	45699*	O'Ring
9	1	45700*	Back-Up Washer
10	1	86508	Gland
11	1	45219*	Poly-Pak Seal
12	1	4974*	Rod Wiper
13	1	103670	Cylinder Rod
14	1	7165*	Gland Retainer Rod
15	1	62523	Self-Aligning Bushing

**NOTE: Seal Kit #45703 includes all parts marked with an asterisk(\*). Parts are not sold separately.**

10634 7-27-06

# DIPPER CYLINDER ASSEMBLY

ASSEMBLY #103677



# DIPPER CYLINDER ASSEMBLY

ASSEMBLY #103677

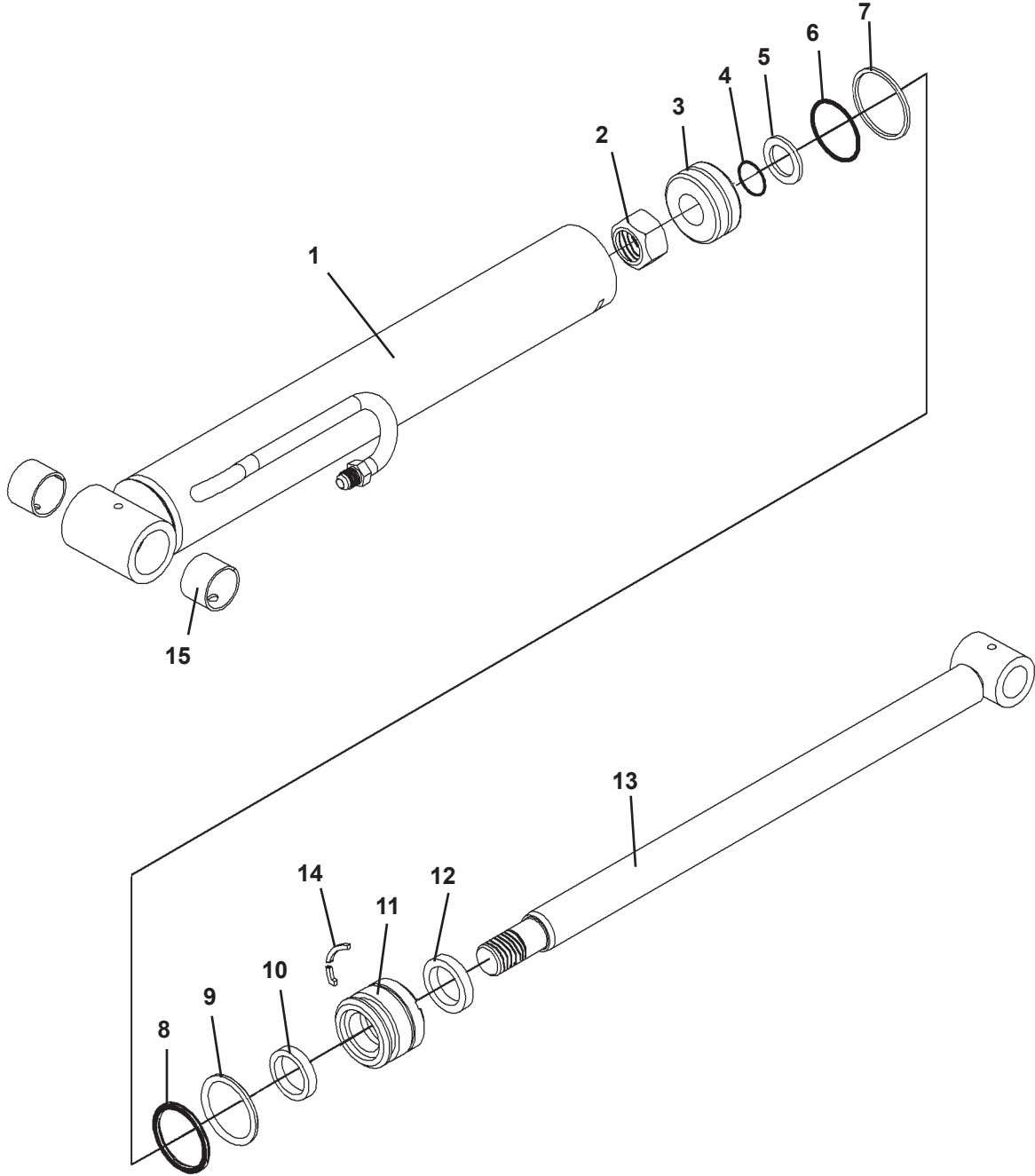
<u>ITEM</u>	<u>REQ'D</u>	<u>PART NO.</u>	<u>DESCRIPTION</u>
1	1	103681	Cylinder Tube
2	1	1483	Hex Nut (Torque to 230-325 ft. lbs.)
3	1	86509	Piston
4	1	4641*	O'Ring
5	1	5421	Washer
6	1	45443*	O'Ring
7	1	45701*	Piston Ring
8	1	45699*	O'Ring
9	1	45700*	Back-Up Washer
10	1	86508	Gland
11	1	45219*	Poly-Pak Seal
12	1	4974*	Rod Wiper
13	1	103678	Cylinder Rod
14	1	7165*	Gland Retainer Rod
15	4	86564	Bushing

**NOTE: Seal Kit #45478 includes all parts marked with an asterisk(\*). Parts are not sold separately.**

10636 7-27-06

# BUCKET CYLINDER ASSEMBLY

ASSEMBLY #103687



# BUCKET CYLINDER ASSEMBLY

ASSEMBLY #103687

<u>ITEM</u>	<u>REQ'D</u>	<u>PART NO.</u>	<u>DESCRIPTION</u>
1	1	103691	Cylinder Tube
2	1	1483	Hex Nut (Torque to 230-325 ft. lbs.)
3	1	86509	Piston
4	1	4641*	O'Ring
5	1	5421	Washer
6	1	45443*	O'Ring
7	1	45701*	Piston Ring
8	1	45699*	O'Ring
9	1	45700*	Back-Up Washer
10	1	86508	Gland
11	1	45219*	Poly-Pak Seal
12	1	4974*	Rod Wiper
13	1	103688	Cylinder Rod
14	1	7165*	Gland Retainer Rod
15	2	86564	Bushing

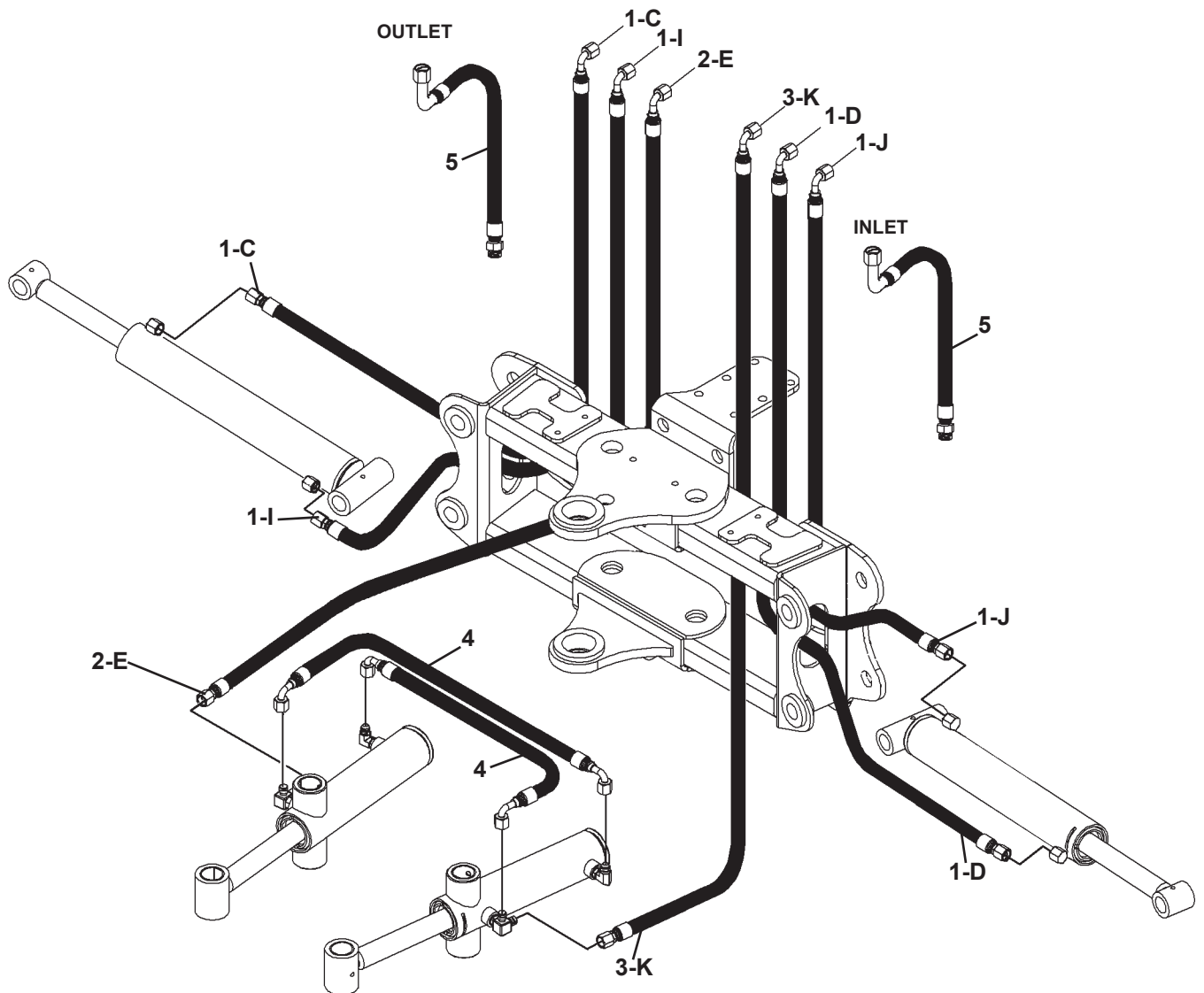
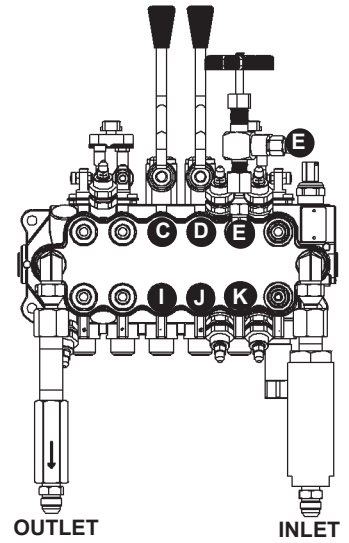
**NOTE: Seal Kit #45478 includes all parts marked with an asterisk(\*). Parts are not sold separately.**

10638 7-27-06

# MAINFRAME HOSE SET

ASSEMBLY #38422

## HYDRAULIC CONTROL VALVE



10641 8-3-06



# MAINFRAME HOSE SET

ASSEMBLY #38422

<u>ITEM</u>	<u>REQ'D</u>	<u>PART NO.</u>	<u>DESCRIPTION</u>
1	4	38417	Hose Assembly .25" X 39" 6FJX 90° - 6FJX
2	1	38416	Hose Assembly .25" X 34" 6FJX 90° - 6FJX
3	1	38415	Hose Assembly .25" X 29" 6FJX 90° - 6FJX
4	2	38414	Hose Assembly .25" X 25" 6FJX 90° - 6FJX 90°
5	2	38428	Hose Assembly .50" X 12" 8FJX 90° Long - 8MJ

NOTE: Letters on the hose set diagram show the hydraulic hose routing between the backhoe control valve and the various hydraulic cylinders. Simply match the letter on the control valve port to the same letter on the hydraulic hose ends. Example: Hose labeled "C" runs from the upper right Stabilizer port on the hydraulic control valve - through the swing post (hose sock) and to the rod end fitting on the right stabilizer cylinder.

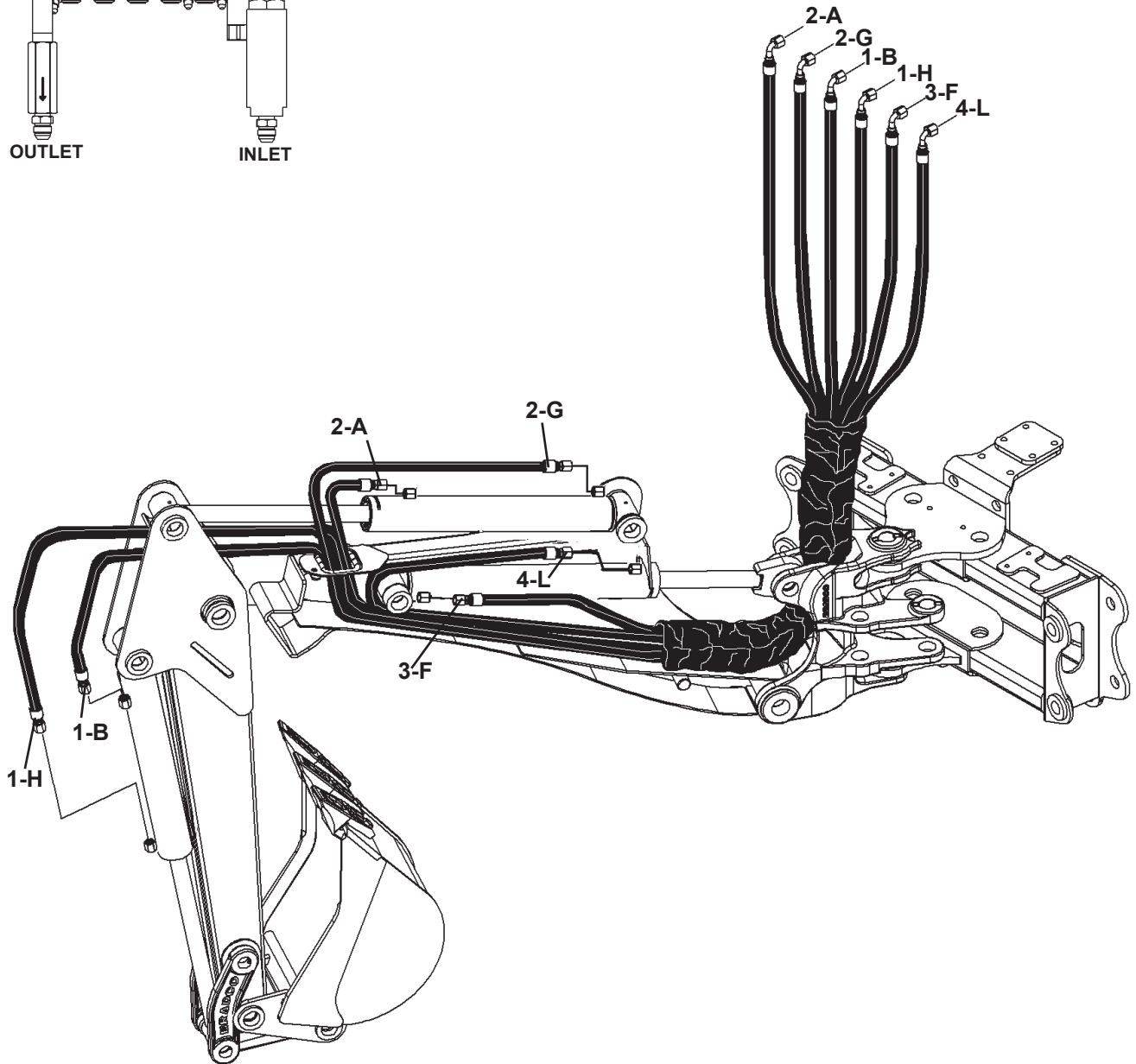
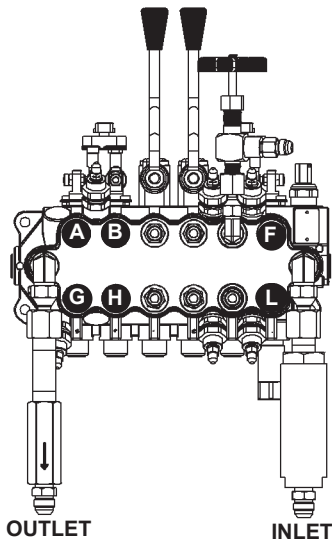
NOTE: The fittings on the hydraulic cylinders have been altered for clarity purposes. This will assist you in distinguishing between the rod end and the barrel end of the various hydraulic cylinders.

10642 8-3-06

# BOOM AND DIPPER HOSE SET

ASSEMBLY #38427

## HYDRAULIC CONTROL VALVE



# BOOM AND DIPPER HOSE SET

ASSEMBLY #38427

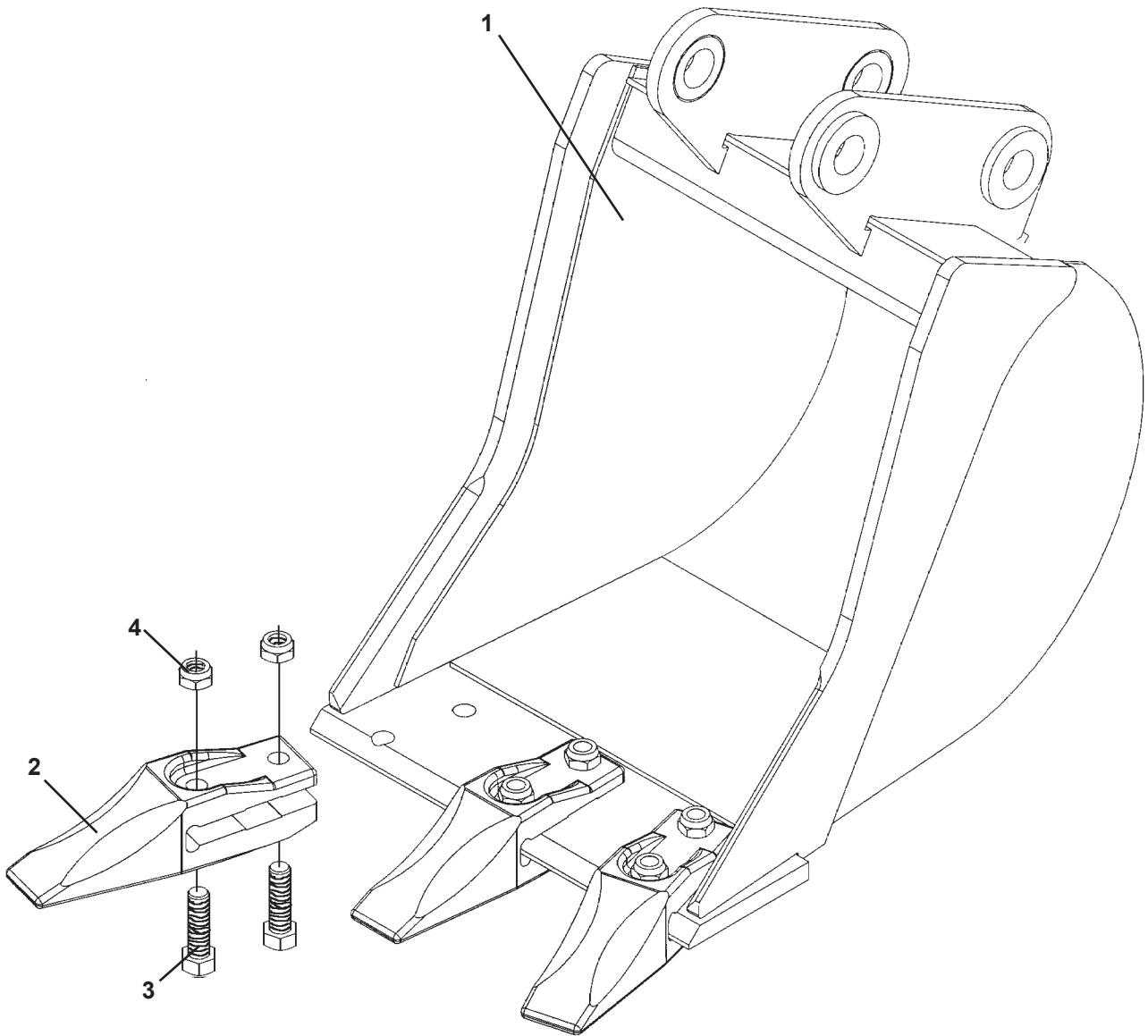
<u>ITEM</u>	<u>REQ'D</u>	<u>PART NO.</u>	<u>DESCRIPTION</u>
1	2	38421	Hose Assembly .25" X 101" 6FJX 90° - 6FJX
2	2	38420	Hose Assembly .25" X 83" 6FJX 90° - 6FJX
3	1	38419	Hose Assembly .25" X 66" 6FJX 90° - 6FJX
4	1	38418	Hose Assembly .25" X 62" 6FJX 90° - 6FJX

NOTE: Letters on the hose set diagram show the hydraulic hose routing between the backhoe control valve and the various hydraulic cylinders. Simply match the letter on the control valve port to the same letter on the hydraulic hose ends. Example: Hose labeled "L" runs from the lower Boom port on the hydraulic control valve - through the swing post (hose sock) and to the rod end fitting on the boom cylinder.

NOTE: The fittings on the hydraulic cylinders have been altered for clarity purposes. This will assist you in distinguishing between the rod end and the barrel end of the various hydraulic cylinders.

10644 8-7-06

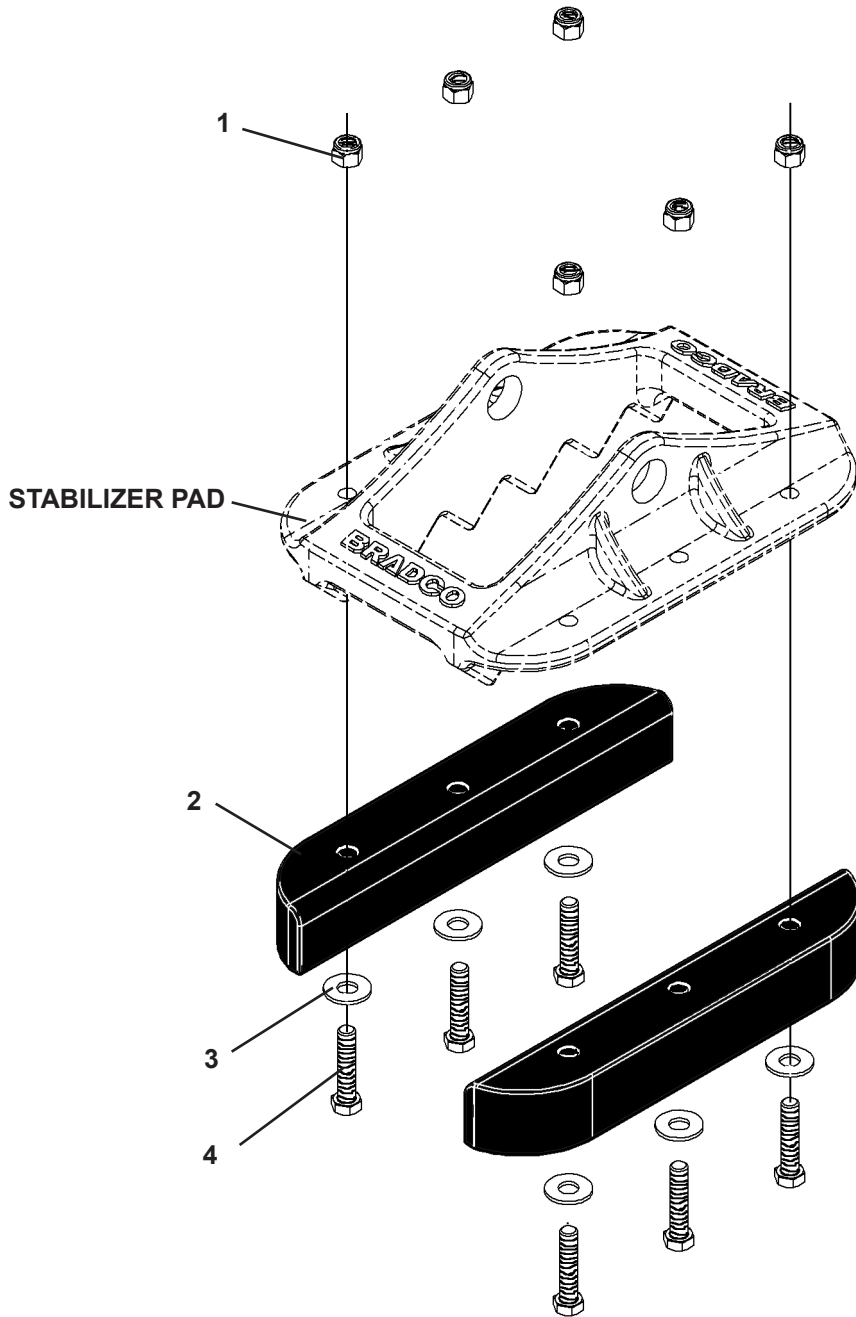
# BUCKET OPTIONS



## BUCKET OPTIONS

<u>ITEM</u>	<u>PART NO.</u>	<u>DESCRIPTION</u>
1	102908	8" Bucket Weldment (Requires Two Teeth)
	102910	10" Bucket Weldment (Requires 3 Teeth)
	102912	12" Bucket Weldment (Requires 3 Teeth)
	102916	16" Bucket Weldment (Requires 4 Teeth)
	102918	18" Bucket Weldment (Requires 4 Teeth)
2	102831	Bolt-On Tooth
3	1091	.50" UNC X 1.75" Hex Capscrew
4	1841	.50" UNC Deformed Oval Lock Nut

# SPABILIZER PAD OPTIONS



## STABILIZER PAD OPTIONS

### RUBBER PAD KIT #103676

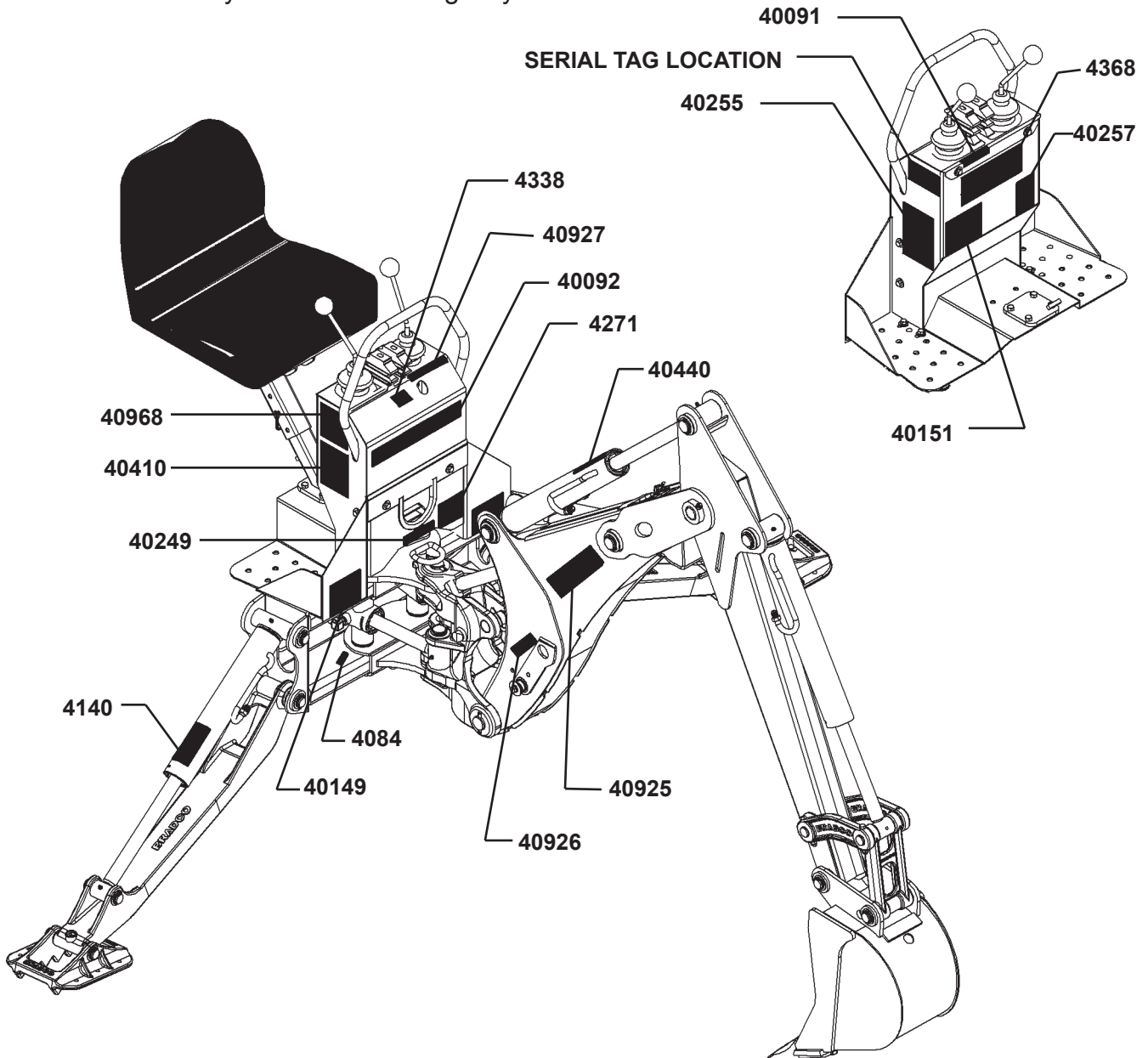
<u>ITEM</u>	<u>REQ'D</u>	<u>PART NO.</u>	<u>DESCRIPTION</u>
1	6	1536	.38" UNC Nylock Nut
2	2	102625	Rubber Pad
3	6	1514	.38" Flat Washer
4	6	1046	.38" UNC X 1.75" Hex Capscrew

# DECALS

## DECAL PLACEMENT

### GENERAL INFORMATION

The diagrams on this page show the location of all the decals used on the 365 backhoe. The decals are identified by their part numbers, with the reductions of the actual decals located on the following pages. Use this information to order replacements for lost or damaged decals. Be sure to read all decals before operating the backhoe. They contain information you need to know for both safety and backhoe longevity.



**IMPORTANT:** Keep all safety decals clean and legible. Replace all missing, illegible or damaged safety decals. When replacing parts with safety decals attached, the safety decals must also be replaced.

**REPLACING SAFETY DECALS:** Clean the area of application with a nonflammable solvent, then wash the same area with soap and water. Allow the surface to dry. Remove the backing from the safety decal, exposing the adhesive surface. Apply the safety decal to the position shown in the diagram above, and smooth out any bubbles.

10649 8-8-06



## DECALS

**IMPORTANT**  
TO PREVENT BACKHOE DAMAGE:

- DO NOT ATTACH TOW CHAIN TO DIPPER OR BUCKET.
- DO NOT REPEATEDLY SLAM SWING POST INTO SWING STOPS.

**PREPARATION FOR STORAGE**

LUBRICATE ALL GREASE POINTS. LEAVE AS MANY CYLINDERS IN CLOSED POSITION AS POSSIBLE. COVER ALL EXPOSED CYLINDER RODS WITH A LIGHT COAT OF GREASE. #40257

**PART #40257**  
**IMPORTANT**



**PART #40440**  
**CALL BEFORE YOU DIG**

**WARNING**

**TO PREVENT SERIOUS INJURY OR DEATH:**

- | Do not operate or work on this machine without reading and understanding Operator's Manual.
- | Avoid unsafe operation or maintenance.
- | Do not operate machine with guards and covers removed.
- | This machine was designed to be operated by one operator. Do not carry passengers on unit.
- | Before installing backhoe on your unit extend boom and dipperstick and lower bucket to ground.
- | Never use backhoe as manlift.
- | Operate backhoe control levers from operator's seat only. Lower stabilizers and bucket to ground before leaving operator's seat.
- | Engage boom lock and swing lock before transporting backhoe.

#40255

**PART #40255**  
**WARNING! OPERATIONAL**

**WARNING**

**HIGH-PRESSURE FLUID HAZARD**

To prevent serious injury or death:

- Relieve pressure on system before repairing or adjusting or disconnecting.
- Wear proper hand and eye protection when searching for leaks. Use wood or cardboard instead of hands.
- Keep all components in good repair.

**PART #40151**  
**WARNING! HIGH PRESSURE FLUID**

**DANGER**

To prevent serious injury or death from pinching:

- Keep all persons and objects clear while any part of this machine is in motion.

**PART #40149**  
**DANGER! PINCH POINT**

**CAUTION**

**365 BACKHOE AND 3- POINT LIMITATIONS**

For Use On Category I Compact Tractors:  
25 - 40 Horsepower.  
800 - 2000 Lbs. Rated Hitch Lift Capacity.  
Up To 4000 Lbs. GVW.

Mounting This Backhoe On Larger Tractors May Result In Serious Damage To The Backhoe And Void Warranties.

Do Not Use 3-Point Quick Attaching Coupler To Mount Backhoe On Tractor.

Minimum Of 20% Of Tractor And Equipment Weight Must Be On The Tractor Front Wheels With The Backhoe In The Transport Position.

Sustained Heavy Use Of Backhoe May Result In Damage To The Tractor. #40968

**PART #40968**  
**WARNING! 3-POINT LIMITATIONS**

**IMPORTANT**

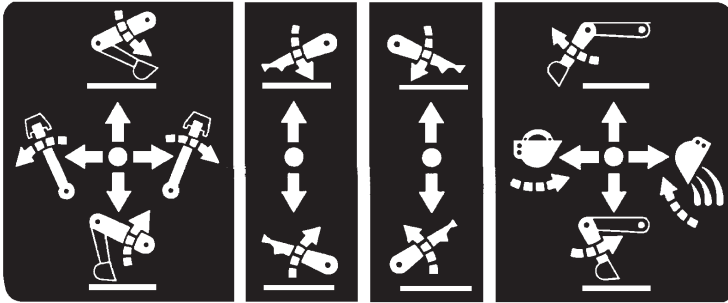
The backhoe bucket is capable of contacting this stabilizer and/or cylinder. Careful operation will avoid backhoe damage.

#4140

**PART #4140**  
**IMPORTANT**

10650 9-15-06-2

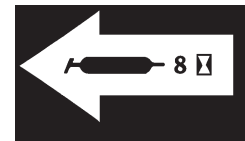
# DECALS



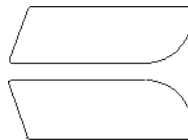
**PART #4368**  
**OPERATING CONTROLS DECAL**



**PART #43638**  
**MADE IN USA**

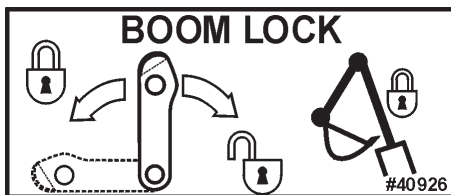


**PART #4084**  
**GREASE 8 HOURS**



# BRADCO

**PART #4092**  
**BRADCO LOGO**



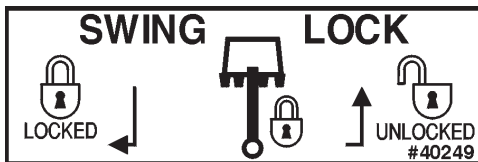
**PART #40926**  
**BOOM LOCK**

**SWING SPEED CONTROL**

#40927



**PART #40927**  
**SWING SPEED CONTROL**



**PART #40249**  
**SWING LOCK**

# 365

**PART #40925**  
**365 MODEL NUMBER**

**SERVICE INFORMATION** 4271

THIS IS AN INLINE 90 MICRON SINTERED BRONZE FILTER. IF PLUGGED OR PARTIALLY FILLED IT WILL REDUCE BACKHOE PERFORMANCE. REMOVE AND WASH OUT REGULARLY. REPLACE ELEMENT #45689 IF DIFFICULT TO BLOW THROUGH AFTER WASHING. SEE FULL INSTRUCTIONS IN THE OWNERS MANUAL.

**PART #4271**  
**INLINE FILTER**



**PART #40091**  
**FLOAT**

## IMPORTANT NOTICE REGARDING 3-POINT HITCH BACKHOES.

BRADCO MAKES NO CLAIMS OR WARRANTY, IMPLIED OR OTHERWISE, as to the compatibility or structural integrity of any tractors 3-point hitch assembly or components when used with any BRADCO 3-point hitch type backhoe. Since many models of tractors have standard category hitches and backhoes have standard category attaching points, it is possible to mount tractor or backhoe combinations that are not compatible.

**DEALERS AND/OR OWNERS MUST DETERMINE THAT COMPATIBILITY BETWEEN THE TRACTOR AND BACKHOE EXISTS.**

Compatibility includes, but is not limited to items such as operator clearance, hitch component strength, tractor case strength and hydraulics.

Suggestions given as to hitch categories and horsepower ranges used with various models of backhoes are suggestions only and not recommendations as to suitability of any combination of tractors and backhoes.

BRADCO also manufactures solid 4-point mounting kits for many models of tractors. These kits do NOT mount to the 3-Point hitch. If in doubt about your hitch compatibility, solid 4-point mounting type kit and backhoe should be used.

**PART #40410**  
**IMPORTANT**

10651 8-7-06