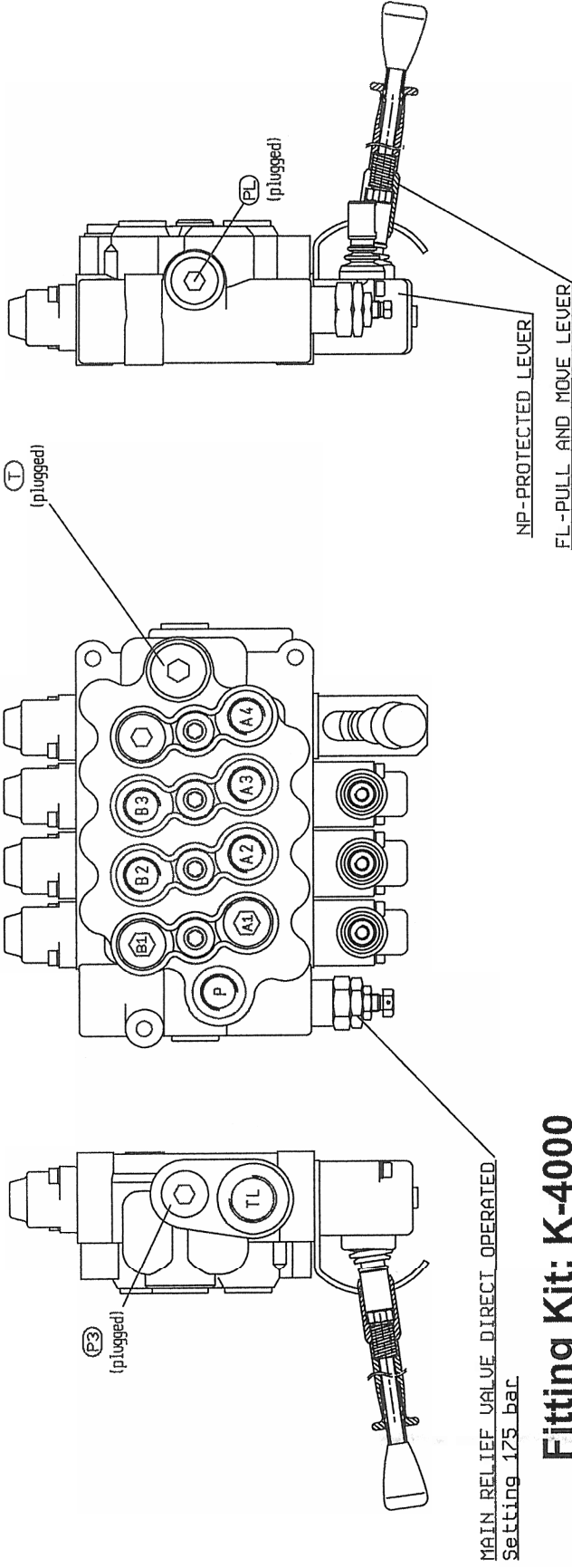


# HD-10H-12H Shaver MFG# V-04-SP



MAIN RELIEF VALVE DIRECT OPERATED  
Setting 125 bar

## Fitting Kit: K-4000

Port	Fitting Number
P	SC-2550-C = (1/2") 90°
A1	PLUG
B1	PLUG
A2	P-910181
B2	P-910181
A3	P-910181
B3	P-910181
A4	F-1503-12-16 F-6900-10-12
TL	UTD-G314 = (1") 90°
Pilot Auger Ports	
A1	PLUG
B1	PLUG

### Note:

To convert valve to close center, use Shaver MFG Kit# CCK-1.  
Replace main relief with "no relief" plug and remove top T-port plug then install close center plug and reinstall top T-port plug.