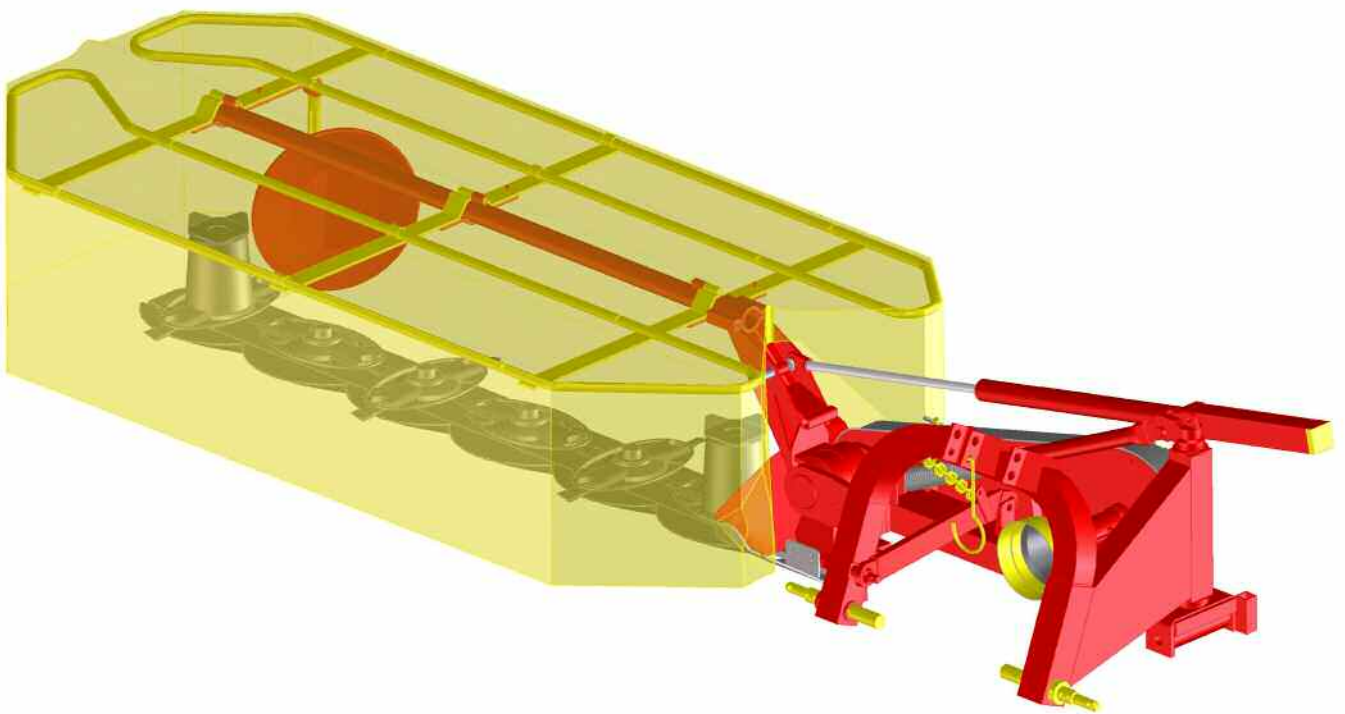


AGRICULTURAL MACHINERY  
**sitrex**®  
s.r.l.

***SPARE PARTS LIST  
ASSEMBLY  
USE AND MAINTENANCE***



**DM/4 - DM/5 - DM/6 - DM/7**

TABLE NO. 910.036/a

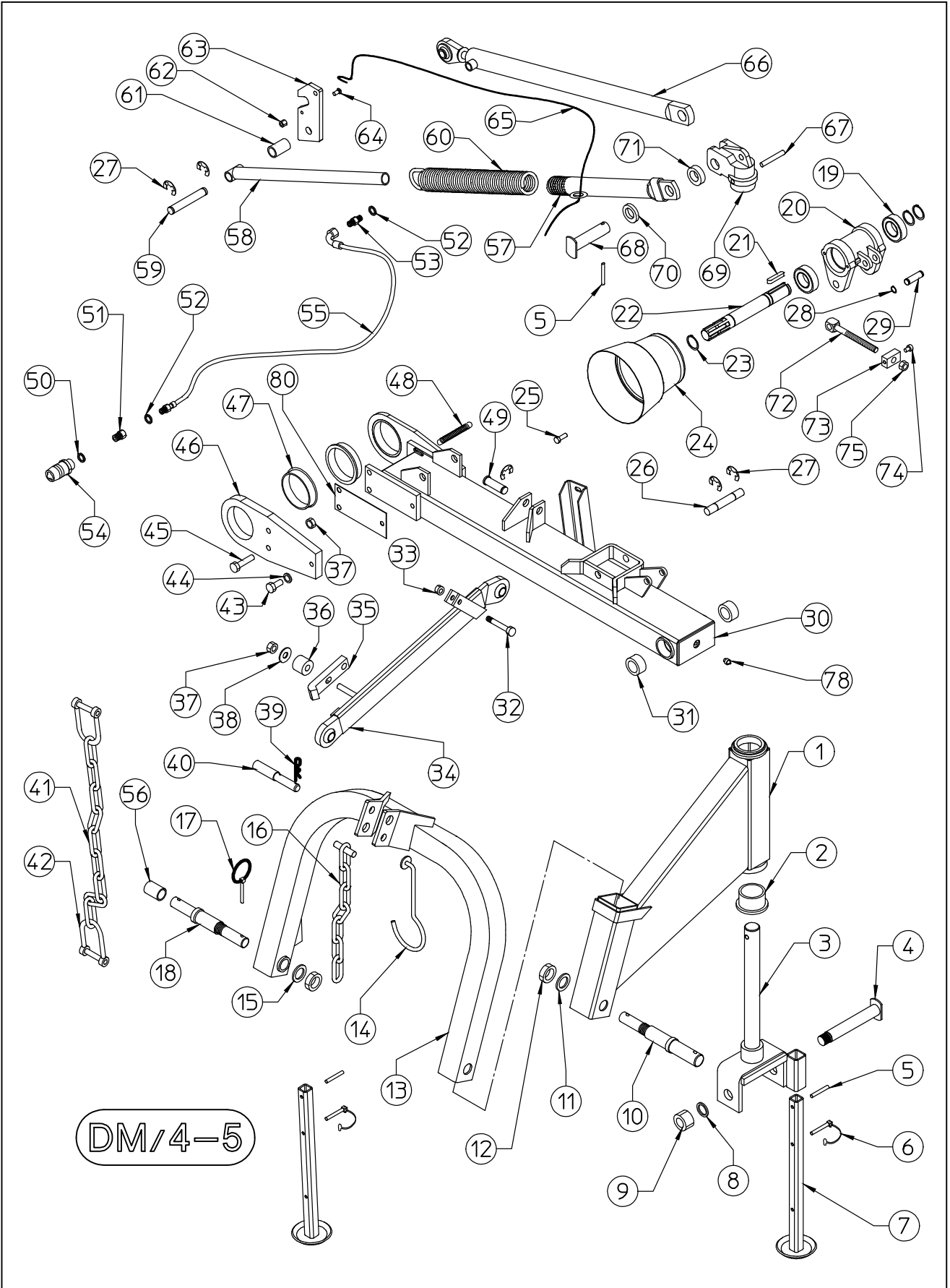


TABLE NO. 910.036 DM4-5				
ITEM	Qty	PART/NO	DESCRIPTION	NOTE
1	1	100.162	SUPPORT	
2	1	100.236	BUSH	
3	1	100.163	PIN SUPPORT	
4	1	100.164	PIN	
5	3	600.027	SPRING PIN	
6	2	610.151	PIN	
7	2	100.166	PARKING STAND	
8	1	600.632	WASHER	
9	1	600.717	NUT	
10	1	100.175	PIN	
11	1	600.336	WASHER	
12	2	610.150	NUT	
13	1	100.161	3 POINT HITCH	
14	1	100.253	SUPPORT	
15	1	600.246	WASHER	
16	1	100.250	CHAIN	
17	3	600.017	PIN	
18	1	100.280	PIN	
19	2	600.608	BEARING	
20	1	100.756	SUPPORT	
21	2	610.153	TAB	
22	1	100.760	P.T.O. SHAFT	
23	4	600.333	SNAP RING	
24	1	600.818	HOOD	
25	2	600.650	SCREW	
26	1	100.757	PIN	
27	5	610.152	SNAP RING	
28	2	600.533	SNAP RING	
29	2	100.758	PIN	
30	1	100.749	MAIN FRAME	
31	2	100.198/a	BUSH	
32	1	600.750	SCREW	
33	1	600.077	NUT	
34	1	100.167/a	SAFETY HOOK	
35	1	100.168	HOOK	
36	1	100.201	SPRING	
37	3	600.075	NUT	
38	1	610.231	WASHER	
39	1	600.308	SPLIT PIN	
40	1	200.343	PIN	
41	1	100.249	CHAIN	
42	2	610.118	SHACKLES	
43	1	610.155	SCREW	
44	1	600.086	WASHER	
45	2	600.752	SCREW	
46	1	100.762	BOX SUPPORT	
47	2	100.831	BUSH	
48	1	100.235	SPRING	
49	1	100.176	PIN	
*	1	100.203/a	KIT HYDRAULIC	
50	1	600.269	COPPER WASHER	
51	1	600.428	NIPPLE	
52	3	600.039	COPPER WASHER	
53	1	200.192	NIPPLE	
54	1	600.273	QUICK RELEASE COUPLING	
55	1	610.143	HOSE	
56	1	400.045/a	BUSH	
57	1	100.170/a	OUTER TUBE	
58	1	100.171	INNER TUBE	
59	1	100.202	PIN	
60	1	100.172	SPRING	
61	1	100.204	BUSH	
62	1	600.076	NUT	
63	1	100.189	HOOK	
64	1	610.156	SCREW	
65	1	610.160	ROPE	
66	1	100.169	CYLINDER	
67	1	610.168	SPRING PIN	
68	1	100.173	PIN	
69	1	100.165	UPPER SUPPORT	
70	1	100.251	BUSH	
71	1	100.252	BUSH	
72	1	100.746	TIE ROD	
73	1	100.745	SUPPORT	
74	2	610.941	SCREW	
75	2	600.082	SCREW	
78	1	600.124	GREASE NIPPLE	
80	1	100.353	SPACER	

TABLE NO. 910.030/b

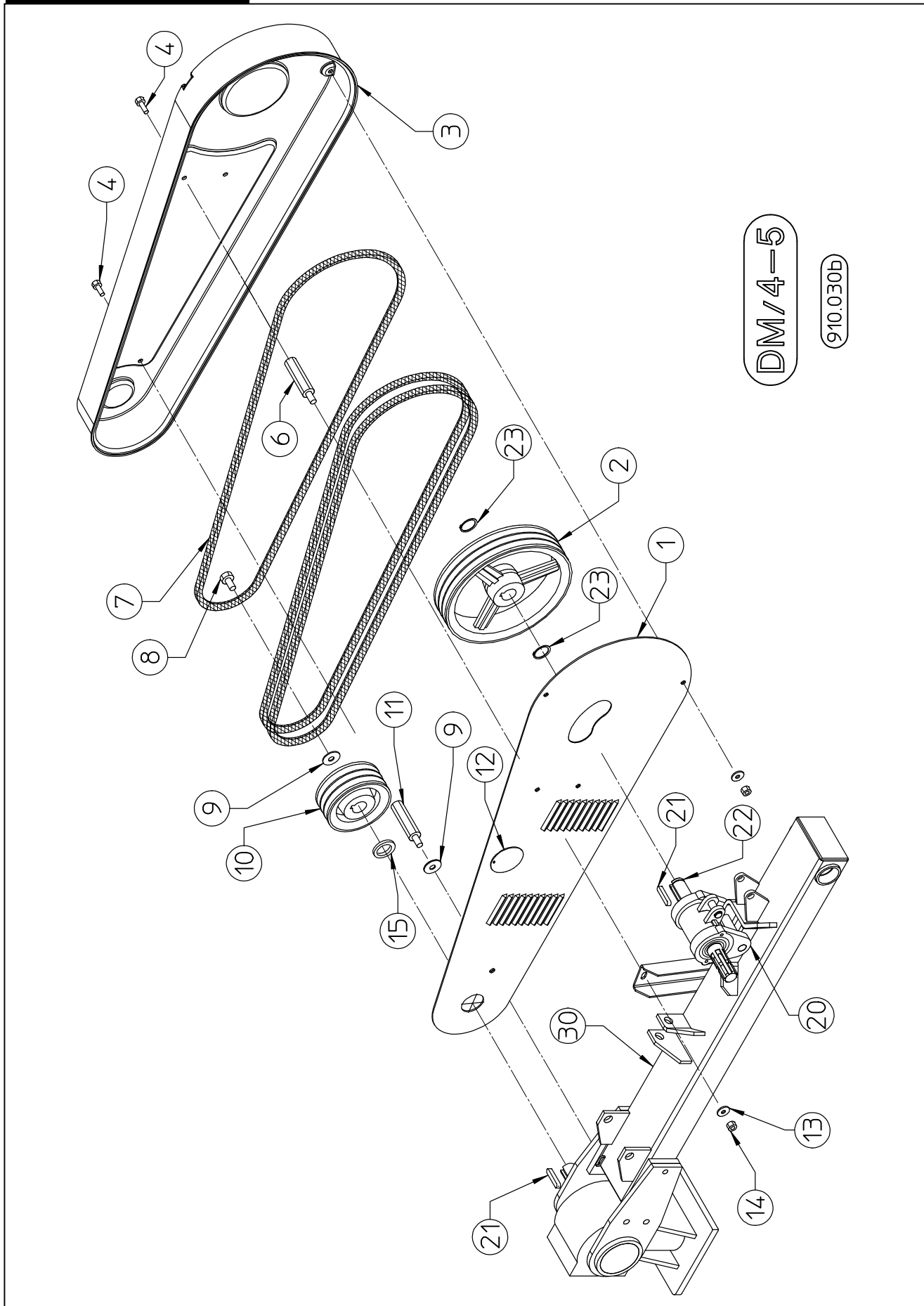


TABLE NO. 910.030				
DM/4-5				
ITEM	Q.ty	PART/NO	DESCRIPTION	NOTE
1	1	100.918	INTERNAL COVER	
2	1	100.180	PULLEY	
3	1	100.919	OUTER COVER	
4	5	610.674	SCREW M10x16	
5				
6	4	100.921	SPACER SCREW	
7	3	610.033	BELT	
8	1	600.440	SCREW M12x25	
9	2	500.160	WASHER	
10	1	100.181	PULLEY	
11	1	100.920	SPACER SCREW	
12	1	100.313	PLUG	
13	2	600.322	WASHER	
14	6	600.029	NUT M10	
15	1	100.205	BUSH	
20	1 *	100.756	SUPPORT	
21	2 *	610.153	TAB	
22	1 *	100.760	P.T.O. SHAFT	
23	2 *	600.333	SNAP RING	
30	1	100.749	MAIN FRAME	

TABLE NO. 910.038/a

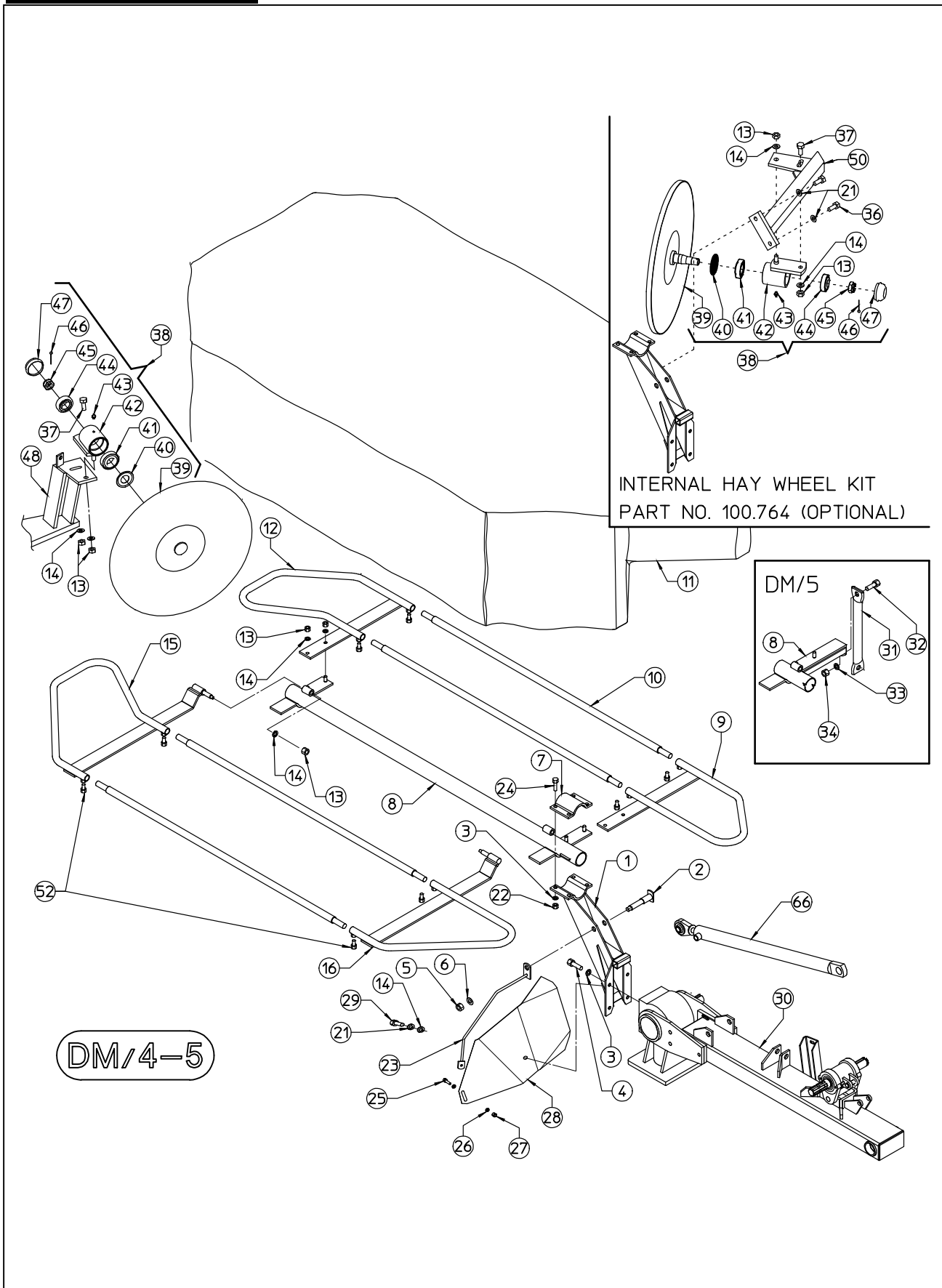


TABLE NO. 910.038				
DW4-5				
ITEM	Q.ty	PART/NO	DESCRIPTION	NOTE
1	1	100.190/a	SUPPORT	
2	1	100.174/a	PIN	
3	8	600.018	WASHER	
4	4	600.441	SCREW	
5	1	600.080	NUT	
6	1	600.031	WASHER	
7	1	100.192	OUTER SUPPORT	
8	1	100.191/a	FRAME TUBE	DW4
8	1	100.752	FRAME TUBE	DW5
9	1	100.194/a	FRAME	
10	4	100.197/a	DISTANCE TUBE	DW4
10	4	100.256/a	DISTANCE TUBE	DW5
11	1	100.244	PROTECTION CANVAS	DW4
11	1	100.245	PROTECTION CANVAS	DW5
12	1	100.193/a	FRAME	
13	9	600.029	NUT	
14	9	600.322	WASHER	
15	1	100.195/a	FRAME	
16	1	100.196/a	FRAME	
21	3	600.024	NUT	
22	4	600.077	NUT	
23	1	100.328	ARM	
24	4	600.754	SCREW	
25	1	600.702	SCREW	
26	2	610.185	WASHER	
27	1	600.076	NUT	
28	1	100.188	PLATE DEFLECTOR	
29	1	600.226	SCREW	
30	1*	100.749	MAIN FRAME	
31	1	100.748	TIE ROD	DW5
32	2	600.616	SCREW	DW5
33	2	600.018	WASHER	DW5
34	2	600.077	NUT	
36	2	600.006	SCREW	
37	1	600.641	SCREW	
38	1	100.763	HAY WHEEL ASSY	
39	1	100.881	HAY WHEEL	
40	1	600.011	DUST COVER	
41	1	600.012	BEARING 30205	
42	1	100.569	HUB	
43	1	600.124	GREASE NIPPLE	
44	1	600.014	BEARING 30204	
45	1	600.015	NUT	
46	1	600.301	SPLIT PIN	
47	1	205.654	CUP	
48	1	100.759	SUPPORT	
50	1	100.766	SUPPORT	
52	8	600.227	SCREW	
66	1*	100.169	CYLINDER	
-	1	100.764	INTERNAL HAY WHEEL KIT	

TABLE NO. 910.037a

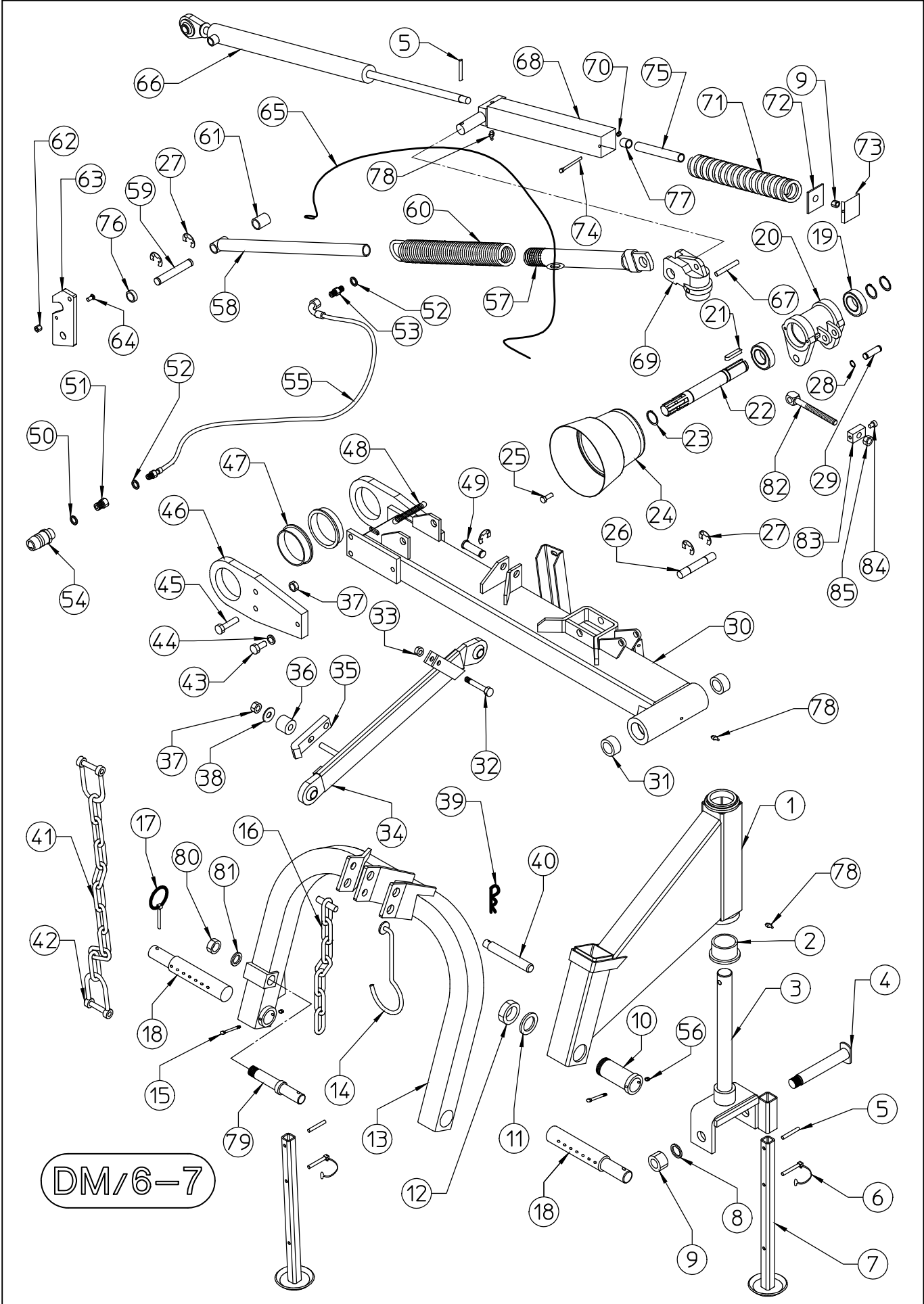




TABLE NO. 910.037a DM/ 6-7				
ITEM	Qty	PART/NO	DESCRIPTION	NOTE
1	1	100.319	SUPPORT	
2	1	100.236	BUSH	
3	1	100.221/a	PIN SUPPORT	
4	1	100.222/a	PIN	
5	3	600.027	SPRING PIN	
6	2	610.151	PIN	
7	2	100.166	PARKING STAND	
8	1	600.632	WASHER	
9	2	600.717	NUT	
10	1	100.322	BUSH	
11	1	100.324	WASHER	
12	2	610.316	NUT	
13	1	100.563	3 POINT HITCH	
14	1	100.253	SUPPORT	
15	1	600.400	SCREW	
16	1	100.250	CHAIN	
17	3	600.017	PIN	
18	2	100.320	PIN	
19	2	600.608	BEARING	
20	1	100.756	SUPPORT	
21	2	610.153	TAB	
22	1	100.761	P.T.O. SHAFT	
23	4	600.333	SNAP RING	
24	1	600.818	HOOD	
25	2	600.650	SCREW	
26	1	100.757	PIN	
27	5	610.152	SNAP RING	
28	2	600.533	SNAP RING	
29	1	100.758	PIN	
30	1	100.750	MAIN FRAME	
31	2	100.232	BUSH	
32	1	600.750	SCREW	
33	1	600.077	NUT	
34	1	100.167/a	SAFETY HOOK	
35	1	100.168	HOOK	
36	1	100.201	SPRING	
37	3	600.075	NUT	
38	1	610.231	WASHER	
39	1	600.308	SPLIT PIN	
40	1	100.321	PIN	
41	1	100.249	CHAIN	
42	2	610.118	SHACKLES	
43	1	600.310	SCREW	
44	1	600.086	WASHER	
45	2	600.388	SCREW	
46	1	100.762	BOX SUPPORT	
47	2	100.831	BUSH	
48	1	100.235	SPRING	
49	1	100.176	PIN	
*	1	100.203/a	KIT HYDRAULIC	
50	1	600.269	COPPER WASHER	
51	1	600.428	NIPPLE	
52	3	600.039	COPPER WASHER	
53	1	200.192	NIPPLE	
54	1	600.273	QUICK RELEASE COUPLING	
55	1	610.143	HOSE	
56	1	600.076	NUT	
57	1	100.223/a	OUTER TUBE	
58	1	100.171	INNER TUBE	
59	1	100.202	PIN	
60	1	100.172	SPRING	
61	1	100.365	BUSH	
62	1	600.076	NUT	
63	1	100.189	HOOK	
64	1	610.156	SCREW	
65	1	610.160	ROPE	
66	1	100.214	CYLINDER	
67	1	610.168	SPRING PIN	
68	1	100.216/a	SUPPORT	
69	1	100.165	UPPER SUPPORT	
70	1	600.472	NUT	
71	1	100.215	SPRING	
72	1	100.218	PLATE	
73	1	100.254	COVER	
74	1	610.159	SCREW	
75	1	100.217	BUSH	
76	1	100.363	BUSH	
77	1	100.362	BUSH	
78	3	600.124	GREASE NIPPLE	
79	1	100.564	PIN	
80	1	600.244	NUT	
81	1	600.246	WASHER	
82	1	100.746	TIE ROD	
83	1	100.745	SUPPORT	
84	2	610.941	SCREW	
85	2	600.082	NUT	

TABLE NO. 910.032/b

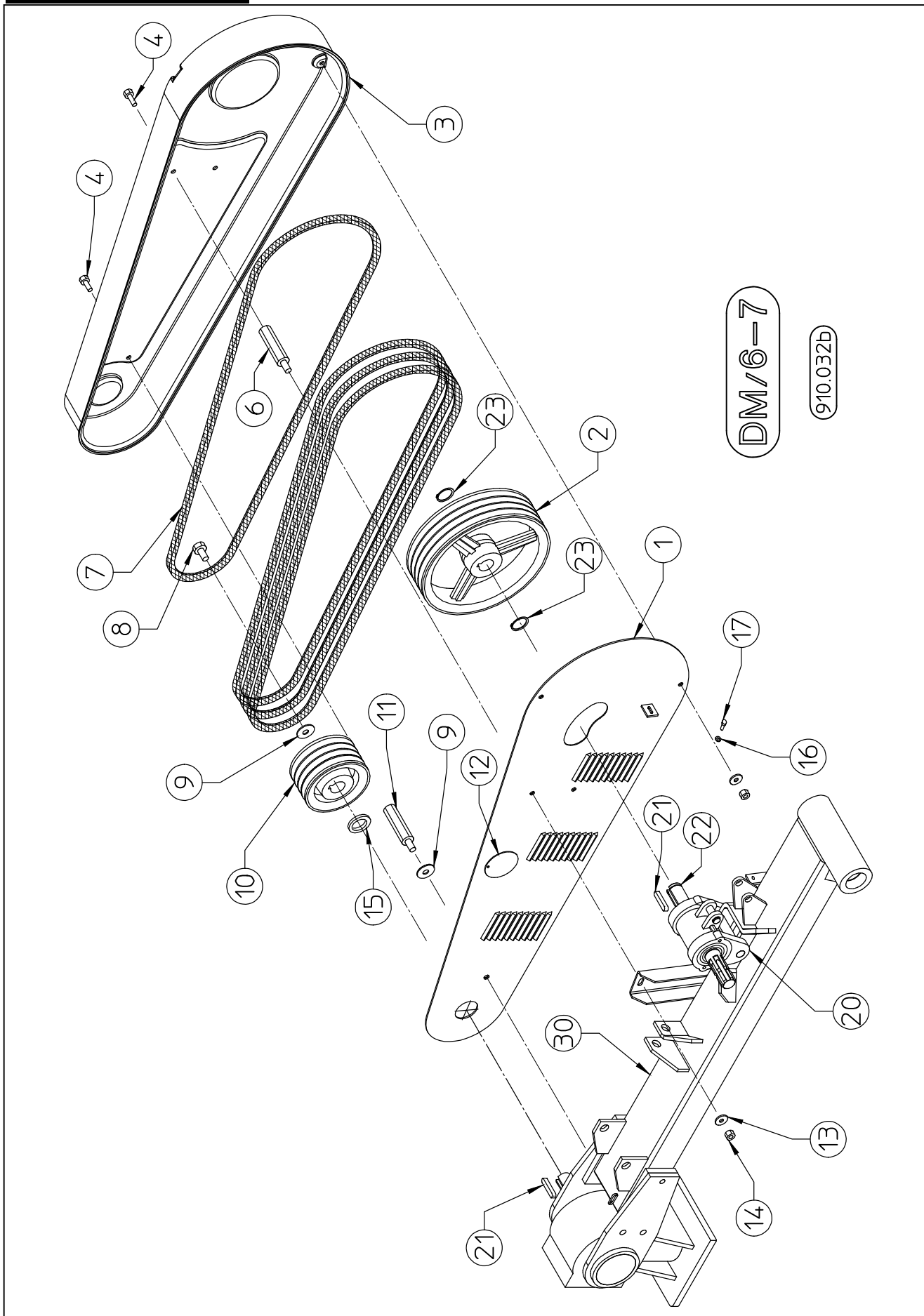
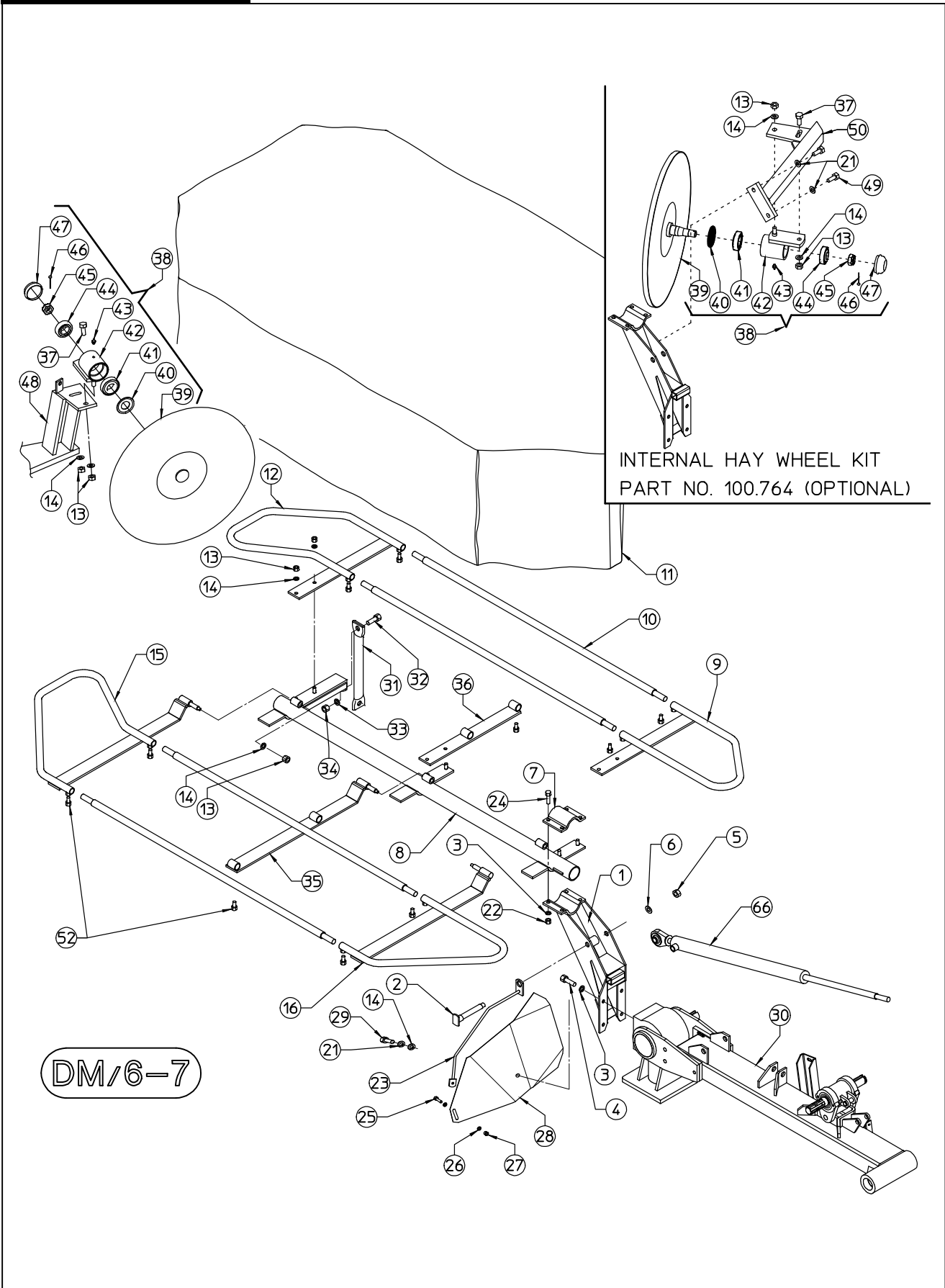


TABLE NO. 910.032/b				
DM/6-7				
ITEM	Q.ty	PART/NO	DESCRIPTION	NOTE
1	1	100.916	INTERNAL COVER	
2	1	100.224	PULLEY	
3	1	100.917	OUTER COVER	
4	5	610.674	SCREW M10x16	
5				
6	4	100.921	SPACER SCREW	
7	4	610.032	BELT	
8	1	600.440	SCREW M12x25	
9	2	500.160	WASHER	
10	1	100.225	PULLEY	
11	1	100.920	SPACER SCREW	
12	1	100.313	PLUG	
13	2	600.322	WASHER	
14	6	600.029	NUT M10	
15	1	100.205	BUSH	
16	1	610.185	WASHER	
17	1	600.061	SCREW M8x16	
20	1 *	100.756	SUPPORT	
21	2 *	610.153	TAB	
22	1 *	100.761	P.T.O. SHAFT	
23	2 *	600.333	SNAP RING	
30	1*	100.750	MAIN FRAME	

TABLE NO. 910.039/b



DM/6-7

INTERNAL HAY WHEEL KIT  
PART NO. 100.764 (OPTIONAL)

TABLE NO. 910.039b				
DM/6-7				
ITEM	Q.ty	PART/NO	DESCRIPTION	NOTE
1	1	100.360	SUPPORT	
2	1	100.361	PIN	
3	8	600.018	WASHER	
4	4	600.441	SCREW	
5	1	600.080	NUT	
6	1	600.031	WASHER	
7	1	100.192	OUTER SUPPORT	
8	1	100.753	FRAME TUBE	DM/6
8	1	100.754	FRAME TUBE	DM/7
9	1	100.194/a	FRAME	
10	4	100.231/a	DISTANCE TUBE	DM/6
10	4	100.257	DISTANCE TUBE	DM/7
11	1	100.246/a	PROTECTION CANVAS	DM/6
11	1	100.247	PROTECTION CANVAS	DM/7
12	1	100.193/a	FRAME	
13	9	600.029	NUT	
14	9	600.322	WASHER	
15	1	100.195/a	FRAME	
16	1	100.196/a	FRAME	
21	3	600.024	NUT	
22	4	600.077	NUT	
23	1	100.515	ARM	
24	4	600.754	SCREW	
25	1	600.702	SCREW	
26	2	610.185	WASHER	
27	1	600.076	NUT	
28	1	100.188	PLATE DEFLECTOR	
28	1	100.329	PLATE DEFLECTOR	DM/7
29	1	600.226	SCREW	
30	1 *	100.750	MAIN FRAME	
31	1	100.748	TIE ROD	DM/5-6-7
32	2	600.616	SCREW	DM/5-6-7
33	2	600.018	WASHER	DM/5-6-7
34	2	600.077	NUT	
35	1	100.325/a	FRAME	DM/7
36	1	100.326/a	FRAME	DM/7
37	1	600.641	SCREW	
38	1	100.763	HAY WHEEL ASSY	
39	1	100.881	HAY WHEEL	
40	1	600.011	DUST COVER	
41	1	600.012	BEARING 30205	
42	1	100.569	HUB	
43	1	600.124	GREASE NIPPLE	
44	1	600.014	BEARING 30204	
45	1	600.015	NUT	
46	1	600.301	SPLIT PIN	
47	1	205.654	CUP	
48	1	100.759	SUPPORT	
49	2	600.006	SCREW	
50	1	100.766	SUPPORT	
52	12	600.227	SCREW	
66	1 *	100.214	CYLINDER	
-	1	100.764	INTERNAL HAY WHEEL KIT	

**TABLE NO. 910.041/a**

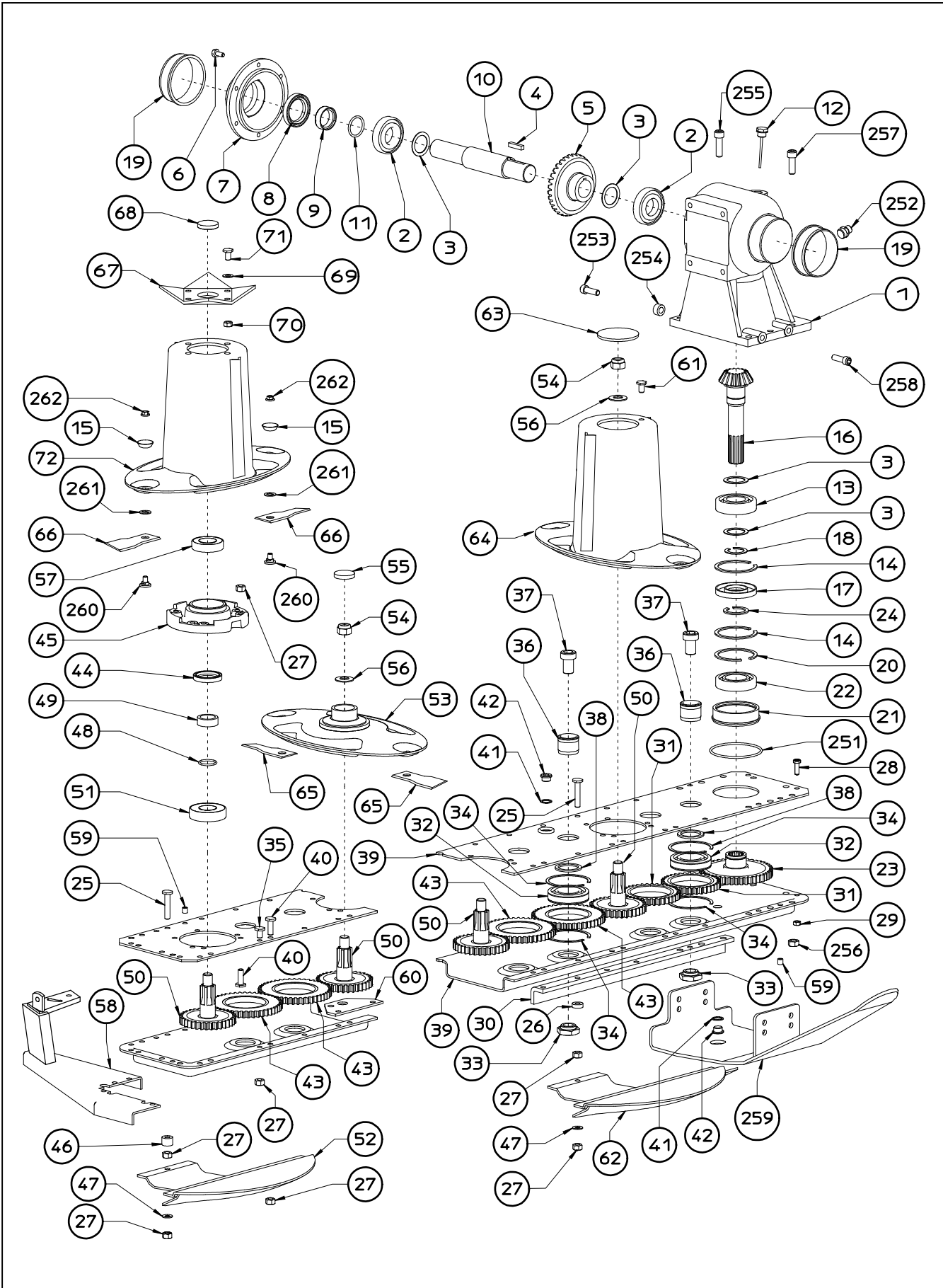


TABLE NO. 910.041/a				
DM-4				
ITEM	Q.TY	PART/NO	DESCRIPTION	NOTE
1	1	100.882	GEAR BOX CASING	
2	2	620.129	BEARING	
3	4	100.883	WASHER	
4	1	620.141	TAB	
5	1	100.772	BEVEL GEAR	
6	8	620.130	SCREW	
7	1	100.770	COVER	
8	1	620.156	OIL SEAL	
9	1	100.884	BUSH	
10	1	100.771	DRIVING SHAFT	
11	1	620.171	RING OR	
12	1	100.774	PLUG	
13	1	620.172	BEARING	
14	2	620.148	SNAP RING	
15	8	100.348	PROTECTION	
16	1	100.773	SPROCKET	
17	1	620.161	SEAL	
18	1	620.145	RING	
19	2	100.831	BUSH	
20	1	620.148	SNAP RING	
21	1	100.885	BEARING BUSH	
22	1	620.173	BEARING	
23	1	100.779	GEAR	
24	1	620.146	SNAP RING	
25	4	100.783	SCREW	
26	1	100.792	DISTANCE	
27	70	620.136	NUT	
28	4	620.131	SCREW	
29	4	620.174	NUT	
30	1	100.892	REAR REINFORCEMET	
31	2	100.801	GEAR	
32	8	620.126	BEARING	
33	8	100.798	NUT	
34	16	100.804	SNAP RING	
35	21	100.787	SCREW	
36	8	100.797	DISTANCE PIN	
37	8	100.786	SCREW	
38	8	100.785	DISTANCE	
39	1	100.889	SUPPORT (UPPER+LOWER)	
40	40	100.782	SCREW	
41	3	620.175	WASHER	
42	3	100.789	PLUG	
43	6	100.802	GEAR	
44	4	620.159	SEAL	
45	4	100.799	DISC SUPPORT	
46	3	100.793	DISTANCE	

TABLE NO. 910.041/a				
DM-4				
ITEM	Q.TY	PART/NO	DESCRIPTION	NOTE
47	4	100.795	WASHER	
48	4	620.165	RING OR	
49	4	100.803	BUSH	
50	4	100.800	GEAR	
51	4	620.176	BEARING	
52	3	100.822	SUPPORT	
53	2	100.827	DISC	
54	4	620.139	NUT	
55	2	620.155	PLUG	
56	4	620.150	WASHER	
57	4	620.128	BEARING	
58	1	100.759	SUPPORT DEFLEKTOR	
59	2	620.143	SPRING PIN	
60	1	100.890	HOOK	
61	1	100.790	SCREW	
62	1	100.823	SUPPORT	
63	2	100.791	PLUG	
64	2	100.828	DISC CONVEY	
65	4	100.367	LEFT KNIFE	
66	4	100.366	RIGHT KNIFE	
67	1	100.332	DISC CONVEY PLATE	
68	1	500.056	PLUG	
69	4	600.115	WASHER	
70	4	600.076	NUT	
71	4	600.223	SCREW	
72	1	100.582	DISC CONVEY	
251	1	620.164	RING OR	
252	1	620.152	PLUG	
253	2	620.135	SCREW	
254	2	100.788	SPACER	
255	3	620.132	SCREW	
256	8	620.137	NUT	
257	5	620.133	SCREW	
258	2	620.134	SCREW	
259	1	100.891	SUPPORT	
260	8	100.796	SCREW	
261	8	100.821	WASHER	
262	8	100.794	NUT	



TABLE NO. 910.042/a

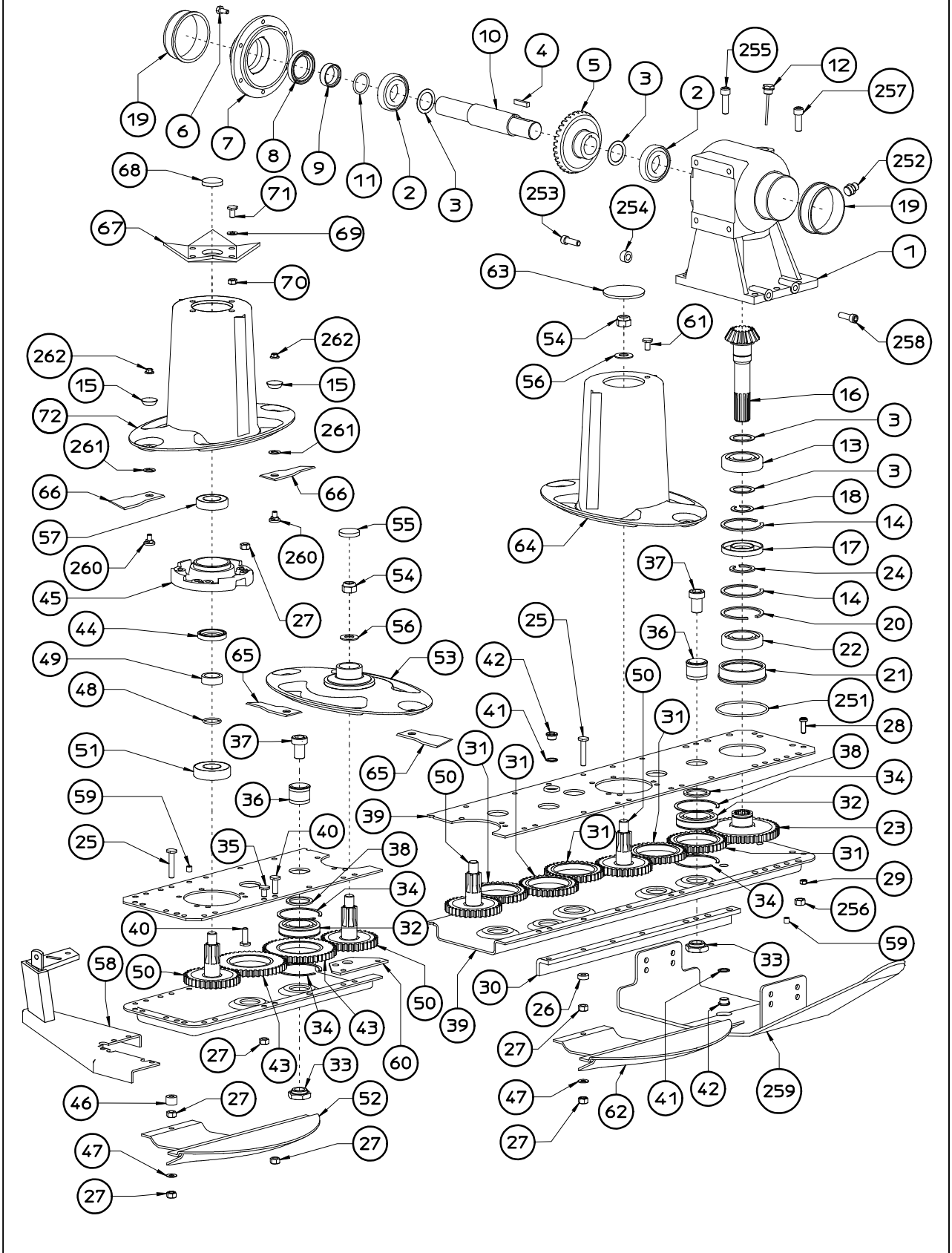


TABLE NO. 910.042/a				
DM-5				
ITEM	Q.TY	PART/NO	DESCRIPTION	NOTE
1	1	100.882	GEAR BOX CASING	
2	2	620.129	BEARING	
3	4	100.883	WASHER	
4	1	620.141	TAB	
5	1	100.772	BEVEL GEAR	
6	8	620.130	SCREW	
7	1	100.770	COVER	
8	1	620.156	OIL SEAL	
9	1	100.884	BUSH	
10	1	100.771	DRIVING SHAFT	
11	1	620.171	RING OR	
12	1	100.774	PLUG	
13	1	620.172	BEARING	
14	2	620.148	SNAP RING	
15	.	100.348	PROTECTION	
16	1	100.773	SPROCKET	
17	1	620.161	SEAL	
18	1	620.145	RING	
19	2	100.831	BUSH	
20	1	620.148	SNAP RING	
21	1	100.885	BEARING BUSH	
22	1	620.173	BEARING	
23	1	100.779	GEAR	
24	1	620.146	SNAP RING	
25	5	100.783	SCREW	
26	2	100.792	DISTANCE	
27	86	620.136	NUT	
28	4	620.131	SCREW	
29	4	620.174	NUT	
30	1	100.893	REAR REINFORCEMET	
31	5	100.801	GEAR	
32	11	620.126	BEARING	
33	11	100.798	NUT	
34	11	100.804	SNAP RING	
35	24	100.787	SCREW	
36	11	100.797	DISTANCE PIN	
37	11	100.786	SCREW	
38	11	100.785	DISTANCE	
39	1	100.888	SUPPORT (UPPER+LOWER)	
40	49	100.782	SCREW	
41	3	620.175	WASHER	
42	3	100.789	PLUG	
43	6	100.802	GEAR	
44	5	620.159	SEAL	
45	5	100.799	DISC SUPPORT	
46	3	100.793	DISTANCE	

TABLE NO. 910.042/a				
DM-5				
ITEM	Q.TY	PART/NO	DESCRIPTION	NOTE
47	5	100.795	WASHER	
48	5	620.165	RING OR	
49	5	100.803	BUSH	
50	5	100.800	GEAR	
51	5	620.176	BEARING	
52	3	100.822	SUPPORT	
53	3	100.827	DISC	
54	5	620.139	NUT	
55	3	620.155	PLUG	
56	5	620.150	WASHER	
57	5	620.128	BEARING	
58	1	100.759	SUPPORT DEFLEKTOR	
59	2	620.143	SPRING PIN	
60	1	100.890	HOOK	
61	3	100.790	SCREW	
62	2	100.823	SUPPORT	
63	2	100.791	PLUG	
64	2	100.828	DISC CONVEY	
65	4	100.367	LEFT KNIFE	
66	6	100.366	RIGHT KNIFE	
67	1	100.332	DISC CONVEY PLATE	
68	1	500.056	PLUG	
69	4	600.115	WASHER	
70	4	600.076	NUT	
71	4	600.223	SCREW	
72	1	100.582	DISC CONVEY	
251	1	620.164	RING OR	
252	1	620.152	PLUG	
253	2	620.135	SCREW	
254	2	100.788	REINFORCEMENT	
255	3	620.132	SCREW	
256	8	620.137	NUT	
257	5	620.133	SCREW	
258	2	620.134	SCREW	
259	1	100.891	SUPPORT	
260	10	100.796	SCREW	
261	10	100.821	WASHER	
262	10	100.794	NUT	

TABLE NO. 910.043/a

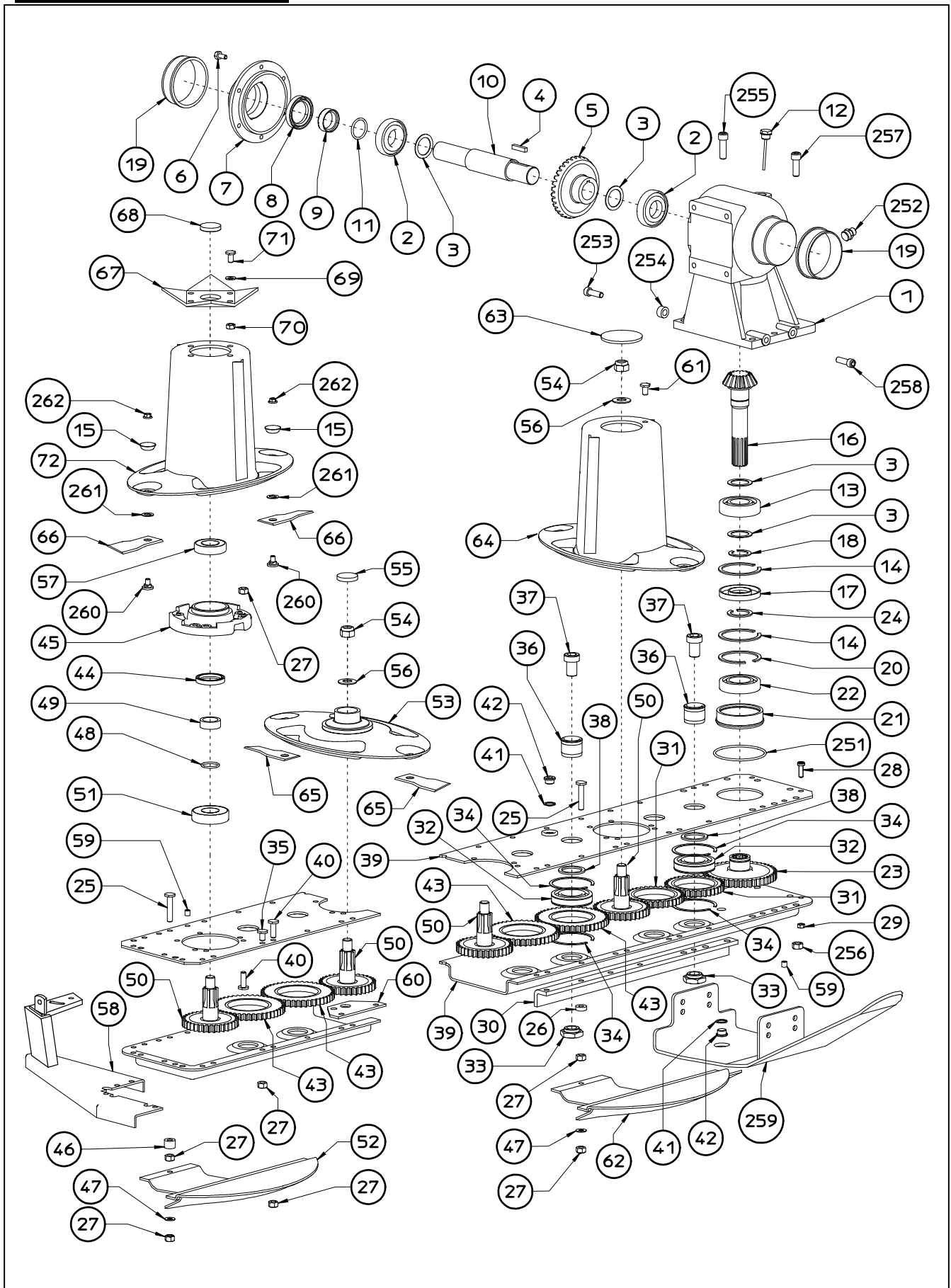
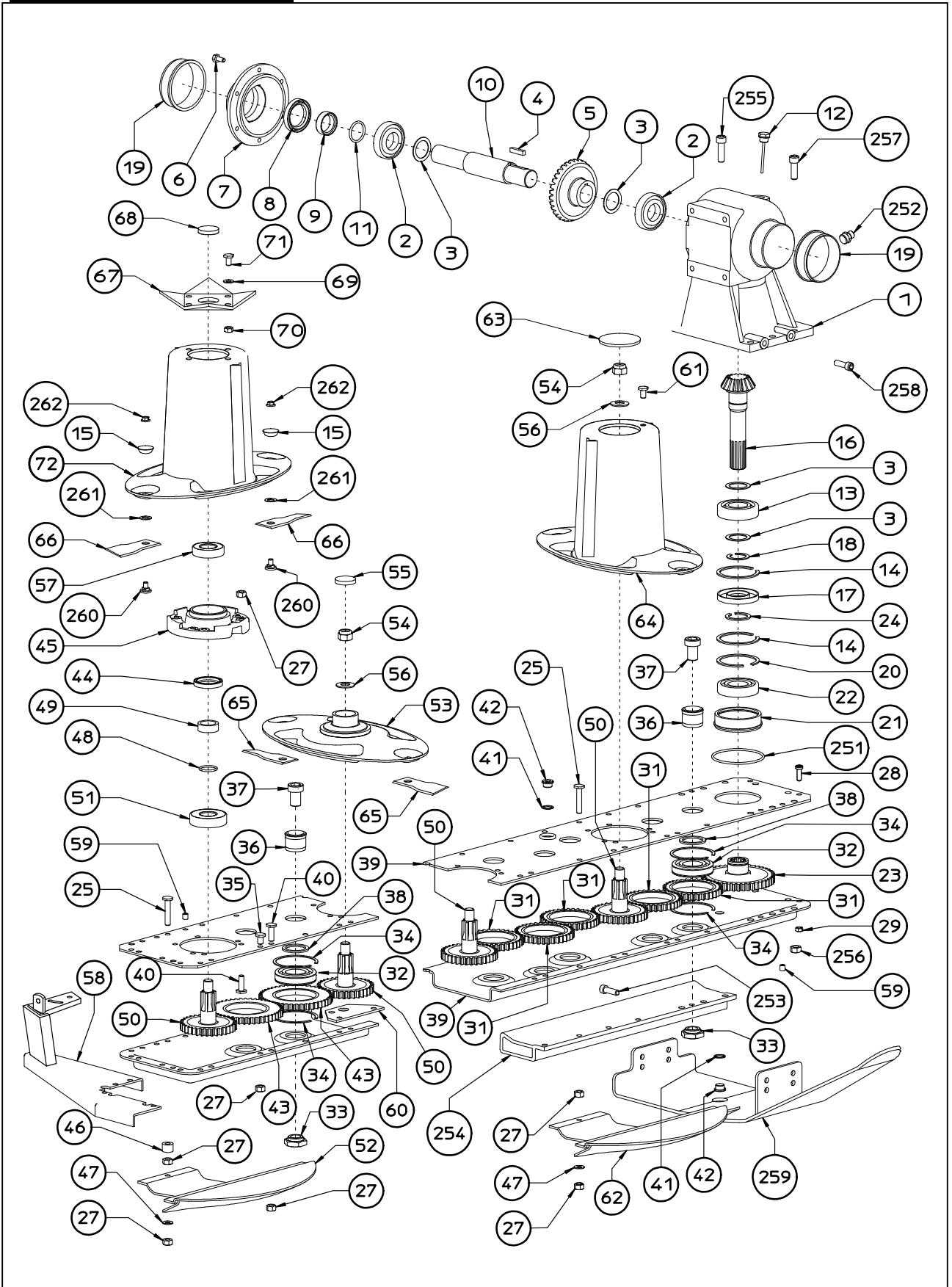


TABLE NO. 910.043/a				
DM-6				
ITEM	Q.TY	PART/NO	DESCRIPTION	NOTE
1	1	100.882	GEAR BOX CASING	
2	2	620.129	BEARING	
3	4	100.883	WASHER	
4	1	620.141	TAB	
5	1	100.772	BEVEL GEAR	
6	8	620.130	SCREW	
7	1	100.770	COVER	
8	1	620.156	OIL SEAL	
9	1	100.884	BUSH	
10	1	100.771	DRIVING SHAFT	
11	1	620.171	RING OR	
12	1	100.774	PLUG	
13	1	620.172	BEARING	
14	2	620.148	SNAP RING	
15	12	100.348	PROTECTION	
16	1	100.773	SPROCKET	
17	1	620.161	SEAL	
18	1	620.145	RING	
19	2	100.831	BUSH	
20	1	620.148	SNAP RING	
21	1	100.885	BEARING BUSH	
22	1	620.173	BEARING	
23	1	100.779	GEAR	
24	1	620.146	SNAP RING	
25	6	100.783	SCREW	
26	3	100.792	DISTANCE	
27	102	620.136	NUT	
28	4	620.131	SCREW	
29	4	620.174	NUT	
30	1	100.894	REAR REINFORCEMET	
31	2	100.801	GEAR	
32	12	620.126	BEARING	
33	12	100.798	NUT	
34	24	100.804	SNAP RING	
35	27	100.787	SCREW	
36	12	100.797	DISTANCE PIN	
37	12	100.786	SCREW	
38	12	100.785	DISTANCE	
39	1	100.887	SUPPORT (UPPER+LOWER)	
40	62	100.782	SCREW	
41	3	620.175	WASHER	
42	3	100.789	PLUG	
43	10	100.802	GEAR	
44	6	620.159	SEAL	
45	6	100.799	DISC SUPPORT	
46	3	100.793	DISTANCE	

TABLE NO. 910.043/a				
DM-6				
ITEM	Q.TY	PART/NO	DESCRIPTION	NOTE
47	6	100.795	WASHER	
48	6	620.165	RING OR	
49	6	100.803	BUSH	
50	6	100.800	GEAR	
51	6	620.176	BEARING	
52	5	100.822	SUPPORT	
53	4	100.827	DISC	
54	6	620.139	NUT	
55	4	620.155	PLUG	
56	6	620.150	WASHER	
57	6	620.128	BEARING	
58	1	100.759	SUPPORT DEFLEKTOR	
59	2	620.143	SPRING PIN	
60	1	100.890	HOOK	
61	1	100.790	SCREW	
62	1	100.823	SUPPORT	
63	2	100.791	PLUG	
64	2	100.828	DISC CONVEY	
65	6	100.367	LEFT KNIFE	
66	6	100.366	RIGHT KNIFE	
67	1	100.332	DISC CONVEY PLATE	
68	1	500.056	PLUG	
69	4	600.115	WASHER	
70	4	600.076	NUT	
71	4	600.223	SCREW	
72	1	100.582	DISC CONVEY	
251	1	620.164	RING OR	
252	1	620.152	PLUG	
253	2	620.135	SCREW	
254	2	100.788	SPACER	
255	3	620.132	SCREW	
256	8	620.137	NUT	
257	5	620.133	SCREW	
258	2	620.134	SCREW	
259	1	100.891	SUPPORT	
260	12	100.796	SCREW	
261	12	100.821	WASHER	
262	12	100.794	NUT	

TABLE NO. 910.044/a

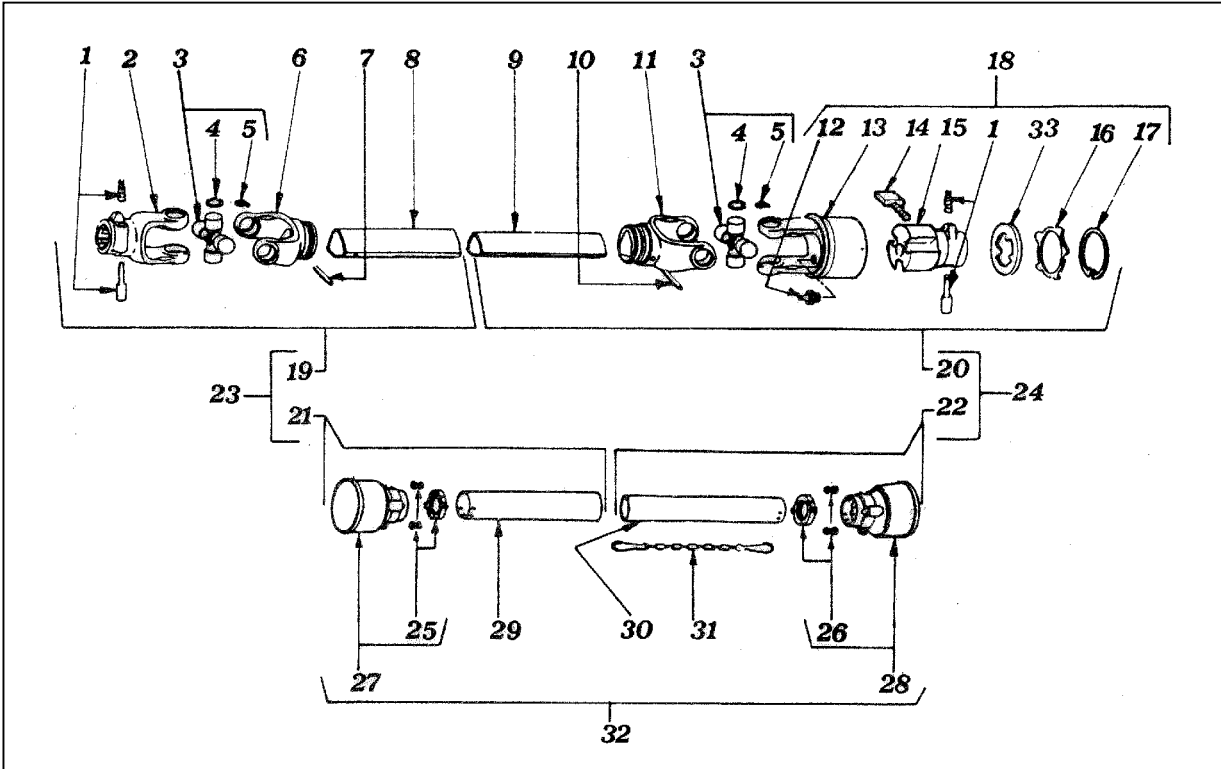


DM-7				
ITEM	Q.TY	PART/NO	DESCRIPTION	NOTE
1	1	100.882	GEAR BOX CASING	
2	2	620.129	BEARING	
3	4	100.883	WASHER	
4	1	620.141	TAB	
5	1	100.772	BEVEL GEAR	
6	8	620.130	SCREW	
7	1	100.770	COVER	
8	1	620.156	OIL SEAL	
9	1	100.884	BUSH	
10	1	100.771	DRIVING SHAFT	
11	1	620.171	RING OR	
12	1	100.774	PLUG	
13	1	620.172	BEARING	
14	2	620.148	SNAP RING	
15	14	100.348	PROTECTION	
16	1	100.773	SPROCKET	
17	1	620.161	SEAL	
18	1	620.145	RING	
19	2	100.831	BUSH	
20	1	620.148	SNAP RING	
21	1	100.885	BEARING BUSH	
22	1	620.173	BEARING	
23	1	100.779	GEAR	
24	1	620.146	SNAP RING	
25	7	100.783	SCREW	
27	118	620.136	NUT	
28	4	620.131	SCREW	
29	4	620.174	NUT	
30	2	100.791	PLUG	
31	5	100.801	GEAR	
32	15	620.126	BEARING	
33	15	100.798	NUT	
34	30	100.804	SNAP RING	
35	31	100.787	SCREW	
36	15	100.797	DISTANCE PIN	
37	15	100.786	SCREW	
38	15	100.785	DISTANCE	
39	1	100.886	SUPPORT (UPPER+LOWER)	
40	71	100.782	SCREW	
41	3	620.175	WASHER	
42	3	100.789	PLUG	
43	10	100.802	GEAR	
44	7	620.159	SEAL	
45	7	100.799	DISC SUPPORT	
46	7	100.793	DISTANCE	



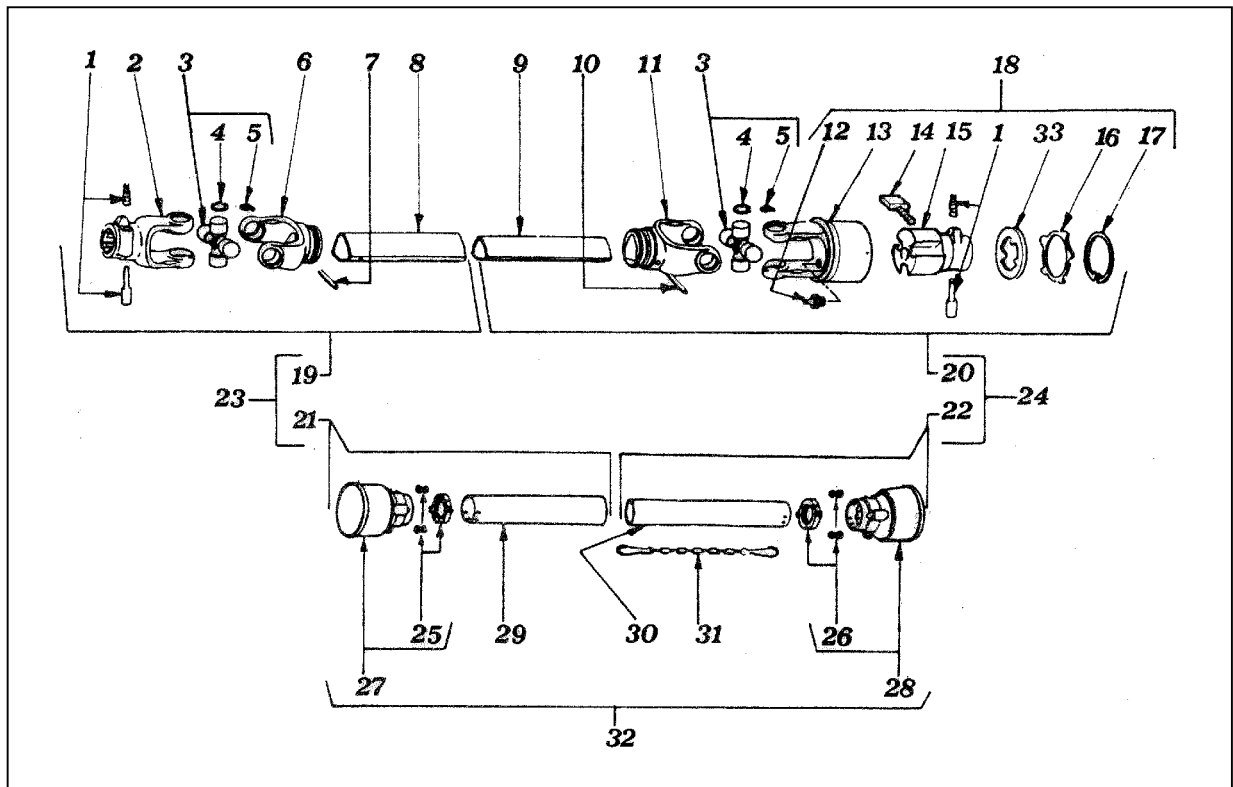
TABLE NO. 910.044/a				
DM-7				
ITEM	Q.TY	PART/NO	DESCRIPTION	NOTE
47	7	100.795	WASHER	
48	7	620.165	RING OR	
49	7	100.803	BUSH	
50	7	100.800	GEAR	
51	7	620.176	BEARING	
52	5	100.822	SUPPORT	
53	5	100.827	DISC	
54	7	620.139	NUT	
55	5	620.155	PLUG	
56	7	620.150	WASHER	
57	7	620.128	BEARING	
58	2	100.759	SUPPORT DEFLEKTOR	
59	2	620.143	SPRING PIN	
60	1	100.890	HOOK	
61	3	100.790	SCREW	
62	2	100.823	SUPPORT	
64	2	100.828	DISC CONVEY	
65	6	100.367	LEFT KNIFE	
66	8	100.366	RIGHT KNIFE	
67	1	100.332	DISC CONVEY PLATE	
68	1	500.056	PLUG	
69	4	600.115	WASHER	
70	4	600.076	NUT	
71	4	600.223	SCREW	
72	1	100.582	DISC CONVEY	
251	1	620.164	RING OR	
252	1	620.152	PLUG	
253	2	620.135	SCREW	
254	2	100.315	REAR REINFORCEMENT	
255	3	620.132	SCREW	
256	8	620.137	NUT	
257	5	620.133	SCREW	
258	2	620.134	SCREW	
259	4	100.316	SUPPORT	
260	14	100.796	SCREW	
261	14	100.821	WASHER	
262	14	100.794	NUT	

**CARDAN SHAFT PART NO. 610.179 DM4-5**



CARDAN SHAFT PART NO. 610.179 DM4-5			
ITEM	PART NO	Q.ty	DESCRIPTION
1	610.057	2	COMPLETE PUSH BUTTON
2	610.234	1	YOKE
3	610.235	2	CROSS JOURNAL ASS.
4	610.205	8	CIRCLIP
5	610.206	2	GREASE NIPPLE
6	610.236	1	OUTER TUBE YOKE
7	610.208	1	FLEXIBLE PIN
8	610.209	1	CM. CARDAN TUBE
9	610.237	1	CM. CARDAN TUBE
10	610.211	1	FLEXIBLE PIN
11	610.238	1	INNER TUBE YOKE
12	610.216	1	GREASE NIPPLE
13	610.354	1	OUTER CASING WITH YOKE
14	610.356	3	RATCHET TOOTH
15	610.355	1	HUB
16	610.358	1	REATING WASHER
17	610.359	1	CIRCLIP
18	610.351	1	OVERRUNNING CLUTCH
19	610.360	1	HALF SHAFT (WITHOUT GUARD)
20	610.361	1	HALF SHAFT (WITHOUT GUARD)
21	610.364	1	HALF SAFETY GUARD
22	610.365	1	HALF SAFETY GUARD
23	610.362	1	HALF SHAFT (WITH GUARD)
24	610.363	1	HALF SHAFT (WITH GUARD)
25	610.078	1	O. BEARING
26	610.079	1	I. BEARING
27	610.080	1	O. BASIC CONE
28	610.081	1	I. BASIC CONE
29	610.352	1	CM. SAFETY TUBE
30	610.353	1	CM. SAFETY TUBE
31	610.068	1	CHAINE
32	610.366	1	SAFETY GUARD
33	610.357	1	REATING WASHER

**CARDAN SHAFT PART NO. 610.181 DM6-7**



CARDAN SHAFT PART NO. 610.181 DM6-7			
ITEM	PART NO	Q.ty	DESCRIPTION
1	610.057	2	COMPLETE PUSH BUTTON
2	610.367	1	YOKE
3	610.368	2	CROSS JOURNAL ASS.
4	610.369	8	CIRCLIP
5	610.206	2	GREASE NIPPLE
6	610.370	1	OUTER TUBE YOKE
7	610.371	1	FLEXIBLE PIN
8	610.372	1	CM. CARDAN TUBE
9	610.373	1	CM. CARDAN TUBE
10	610.374	1	FLEXIBLE PIN
11	610.375	1	INNER TUBE YOKE
12	610.216	1	GREASE NIPPLE
13	610.376	1	OUTER CASING WITH YOKE
14	610.356	3	RATCHET TOOTH
15	610.355	1	HUB
16	610.358	1	REATING WASHER
17	610.359	1	CIRCLIP
18	610.377	1	OVERRUNNING CLUTCH
19	610.378	1	HALF SHAFT (WITHOUT GUARD)
20	610.379	1	HALF SHAFT (WITHOUT GUARD)
21	610.380	1	HALF SAFETY GUARD
22	610.381	1	HALF SAFETY GUARD
23	610.382	1	HALF SHAFT (WITH GUARD)
24	610.383	1	HALF SHAFT (WITH GUARD)
25	610.384	1	O. BEARING
26	610.385	1	I. BEARING
27	610.386	1	O. BASIC CONE
28	610.387	1	I. BASIC CONE
29	610.388	1	CM. SAFETY TUBE
30	610.389	1	CM. SAFETY TUBE
31	610.068	1	CHAIINE
32	610.390	1	SAFETY GUARD
33	610.357	1	REATING WASHER