

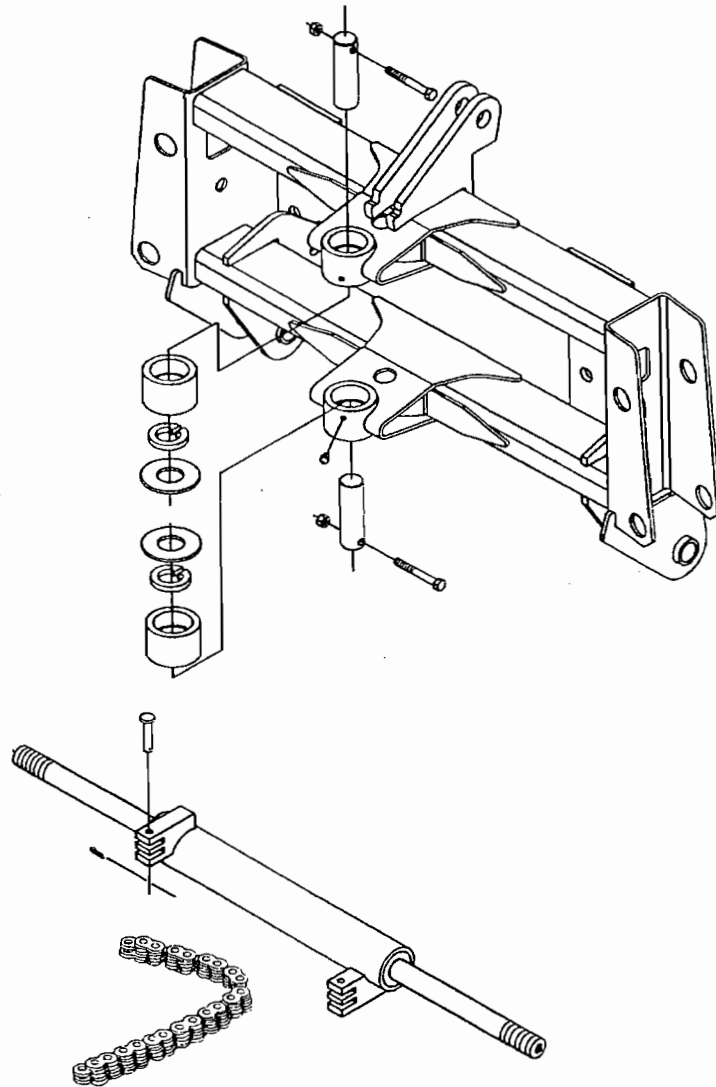
BRADCO®

PM607
REV. 2

3265 BACKHOE 3-POINT HITCH / CATEGORY I

8338

3-5-02-2



PARTS MANUAL

75507

BRADCO®

P.O. Box 266 · Delhi, Iowa 52223 USA

(563) 922-2981 · (800) 922-2981

Fax 563-922-2130

A Division of Attachment Technologies, Inc.

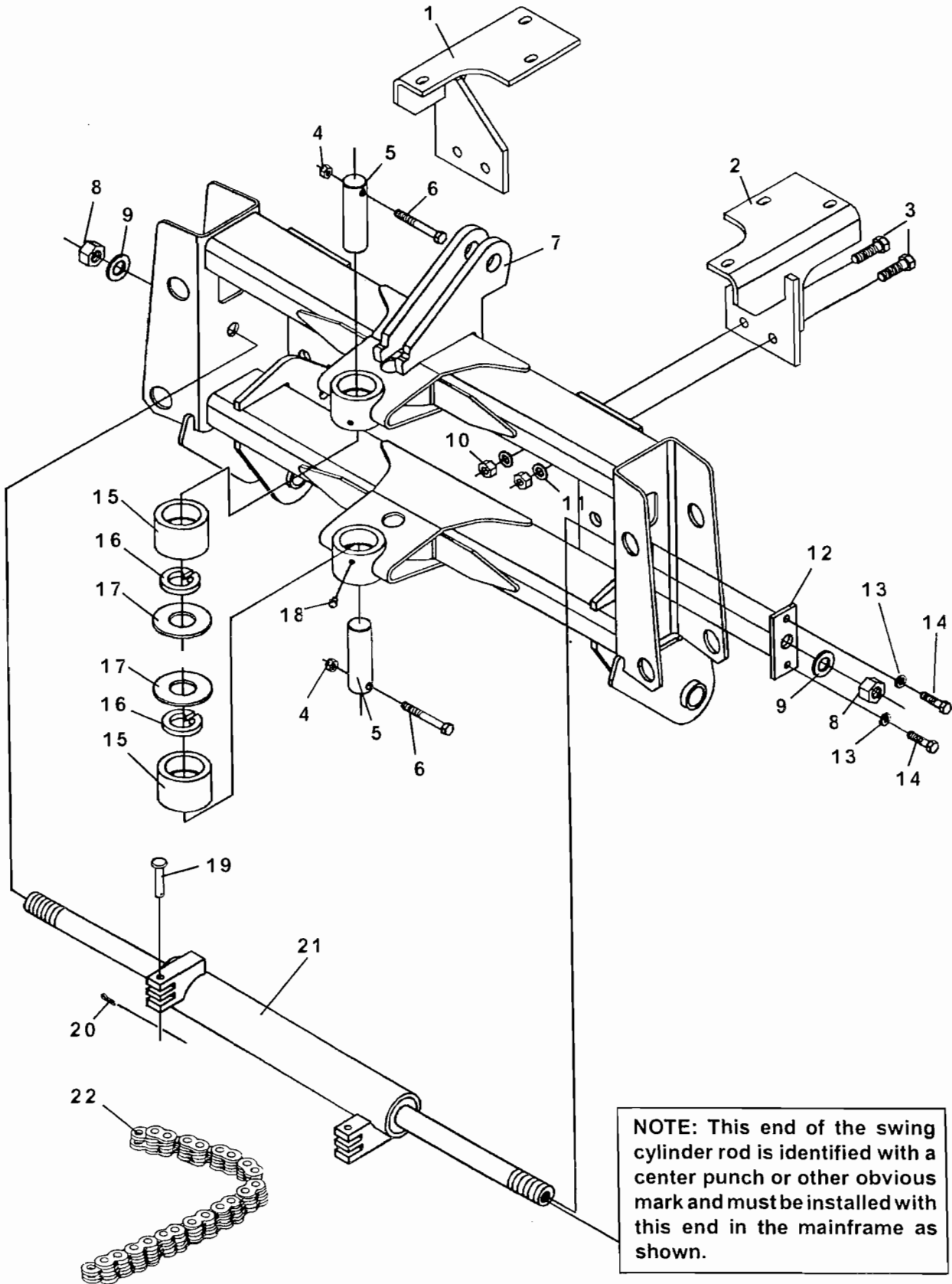
TABLE OF CONTENTS

SERVICE PARTS

MAINFRAME ASSEMBLY	#88403
Mainframe	
Swing Post	
Stabilizers	
3-POINT HITCH ADAPTER KIT	#86638
BOOM & DIPPER ASSEMBLY	#88404
Boom	
Dipper	
CONSOLE ASSEMBLY	#88940
VALVE ASSEMBLY	#2238
CYLINDERS	
Swing Cylinder	#88474
Stabilizer Cylinder	#88930
Boom Cylinder	#88438
Dipper Cylinder	#88444
Bucket Cylinder	#88430
HOSE SETS	
Mainframe Hose Set	#88406
Boom & Dipper Hose Set	#88407
STABILIZER PADS	#88707
OPTIONAL PTO PUMP ASSEMBLY	#87893
BUCKET OPTIONS	
8" STANDARD BUCKET	#88508
10" STANDARD BUCKET	#88510
12" STANDARD BUCKET	#88512
16" STANDARD BUCKET	#88516
18" STANDARD BUCKET	#88518
DECALS	

MAINFRAME ASSEMBLY

ASSEMBLY #88403
MAINFRAME



MAINFRAME ASSEMBLY

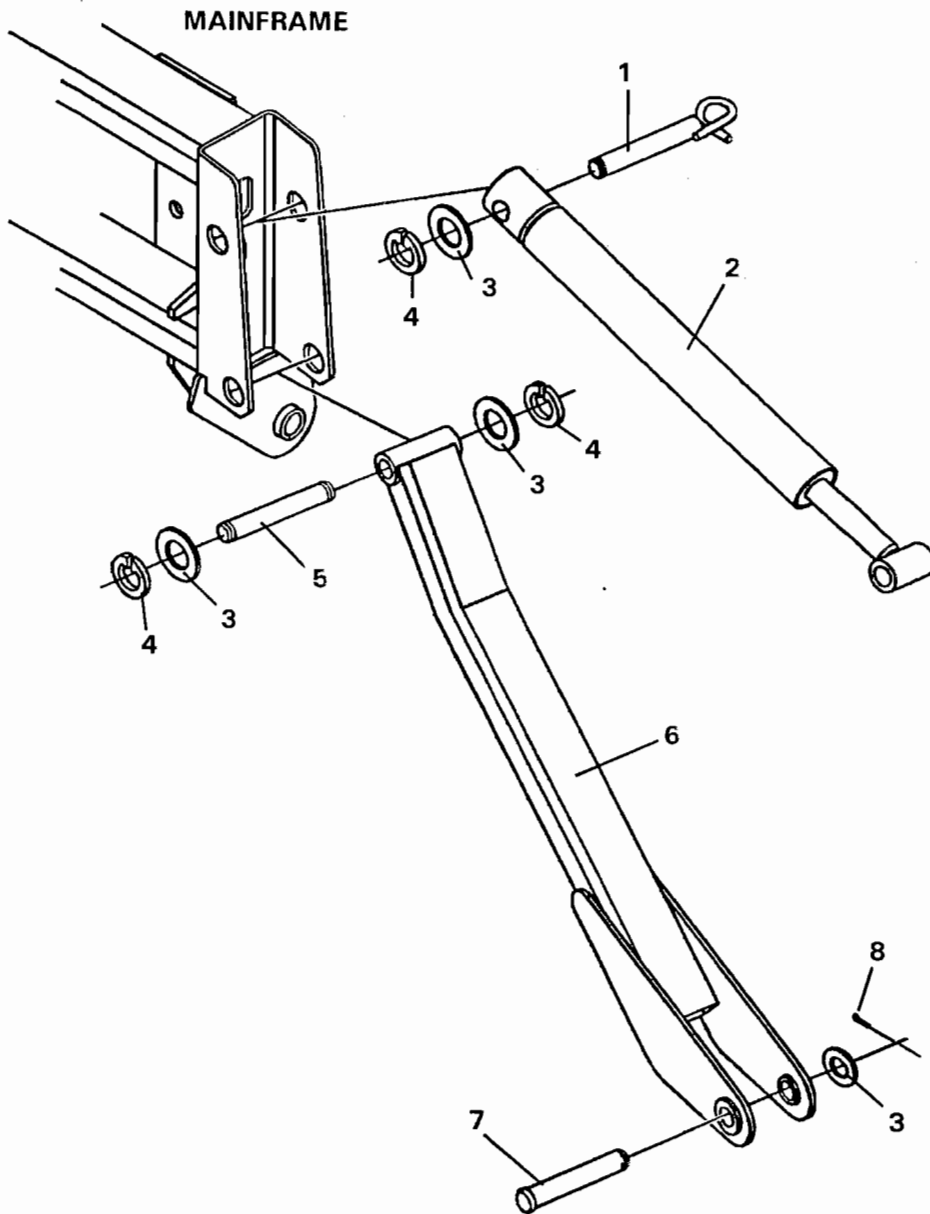
ASSEMBLY #88403

MAINFRAME

<u>NO</u>	<u>REQ'D</u>	<u>PART NO.</u>	<u>DESCRIPTION</u>
1	1	88470	Right Console Mounting Bracket
2	1	88469	Left Console Mounting Bracket
3	4	1090	.50" UNC X 1.50" Hex Capscrew
4	2	1837	.38" UNC Deformed Lock Nut
5	2	88483	Swing Post Pin
6	2	1051	.38" UNC X 3.00" Hex Capscrew
7	1	88392	Mainframe
8	2	10001	.75" UNF Lock Nut
9	2	1649	.75" Hard Flat Washer
10	4	1228	.50" UNC Hex Nut
11	4	1505	.50" Lock Washer
12	1	62942	Cylinder Mounting Plate
13	2	1503	.38" Lock Washer
14	2	1043	.38" UNC X 1.00" Hex Capscrew
15	2	62523	Self Aligning Bushing
16	2	1593	Snap Ring
17	As Req'd	57693	Thrust Washer 1.25" X .078"
	As Req'd	64727	Thrust Washer 1.25" X .125"
	As Req'd	64728	Thrust Washer 1.25" X .031"
18	2	6616	Grease Zerk
19	2	54418	Swing Chain Pin
20	2	1611	Cotter Pin
21	1	88474	Swing Cylinder Assembly
22	2	88503	Swing Chain

MAINFRAME ASSEMBLY

ASSEMBLY #88403
STABILIZERS



MAINFRAME ASSEMBLY

ASSEMBLY #88403
STABILIZERS

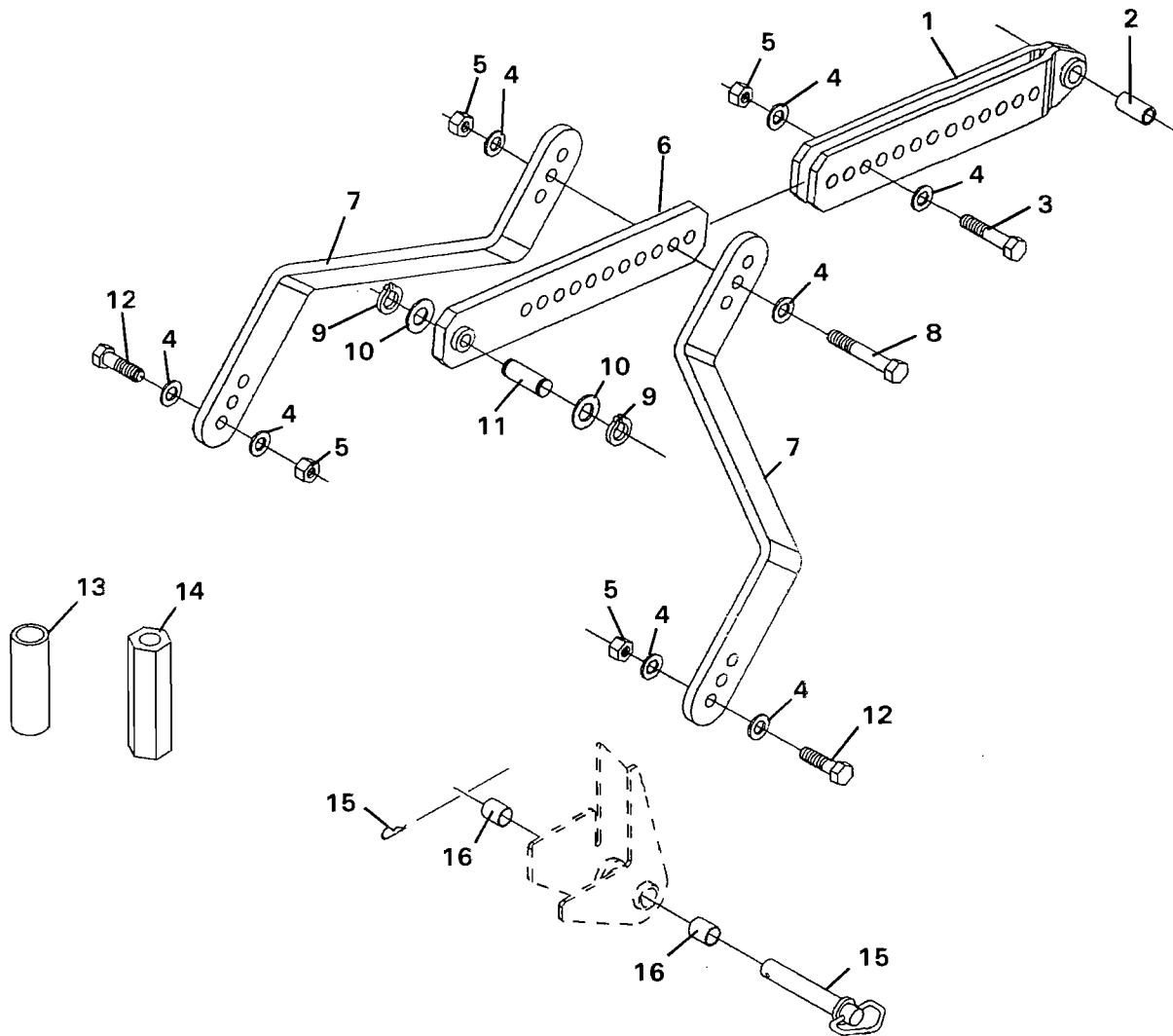
<u>NO</u>	<u>REQ'D</u>	<u>PART NO.</u>	<u>DESCRIPTION</u>
1	2	88787	Cylinder Pin with Hose Guide
2	2	88930	Stabilizer Cylinder Assembly
	2	6616	Grease Zerk
3	As Req'd	68058	Thrust Washer
4	6	1778	Snap Ring
5	2	67548 (1)	Pivot Pin
6	2	88454	Stabilizer Arm
	2	6616	Grease Zerk
7	2	88486	Pin
8	2	1614	Cotter Pin

NOTE:

(1) Pin #67548 is sold only in Pin Kit #88938. Kit includes one pin #67548, two thrust washers #68058 and two snap rings #1778.

3-POINT HITCH ADAPTER KIT

ASSEMBLY #86638



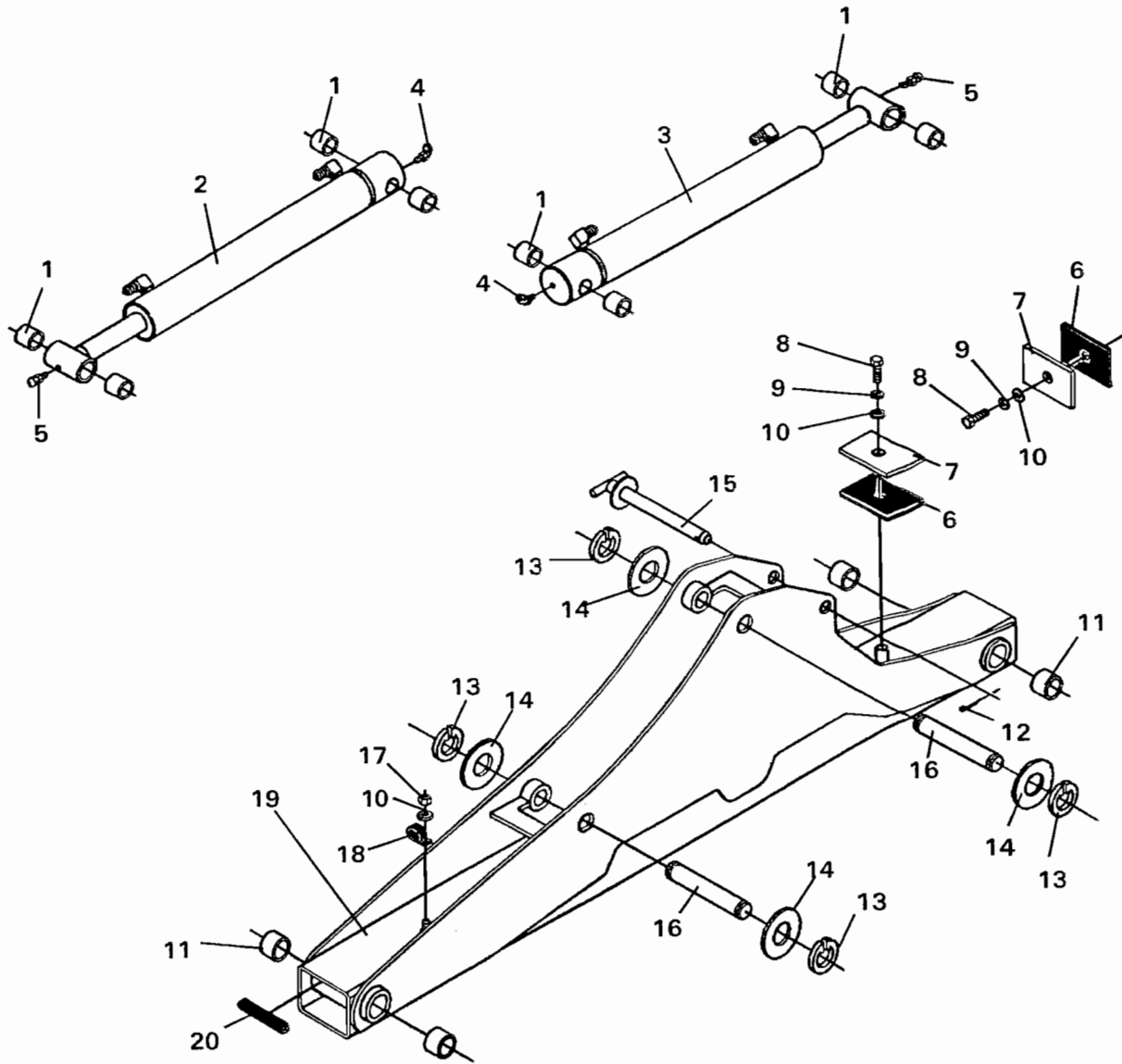
3-POINT HITCH ADAPTER KIT

ASSEMBLY #86638

<u>NO</u>	<u>REQ'D</u>	<u>PART NO.</u>	<u>DESCRIPTION</u>
1	1	86611	Center Double Link
2	1	86619	Spacer Tube
3	1	1144	.75" UNC X 2.50" Hex Capscrew
4	8	1649	.75" Hard Flat Washer
5	4	1534	.75" UNC Hex Locknut
6	1	86615	Center Single Link
7	2	86601	Hitch Lock Out Arm
8	1	1148	.75" UNC X 4.50" Hex Capscrew
9	2	6612	Snap Ring
10	2	57462	Thrust Washer
11	1	86620	Pin
12	2	1141	.75" UNC X 2.50" Hex Capscrew
13	1	45132	Inline Filter
14	1	45691	Check Valve
15	2	1987	Hitch Pin - Includes Retainer
16	4	86623	Adapter Bushing

BOOM & DIPPER ASSEMBLY

ASSEMBLY #88404



BOOM & DIPPER ASSEMBLY

ASSEMBLY #88404

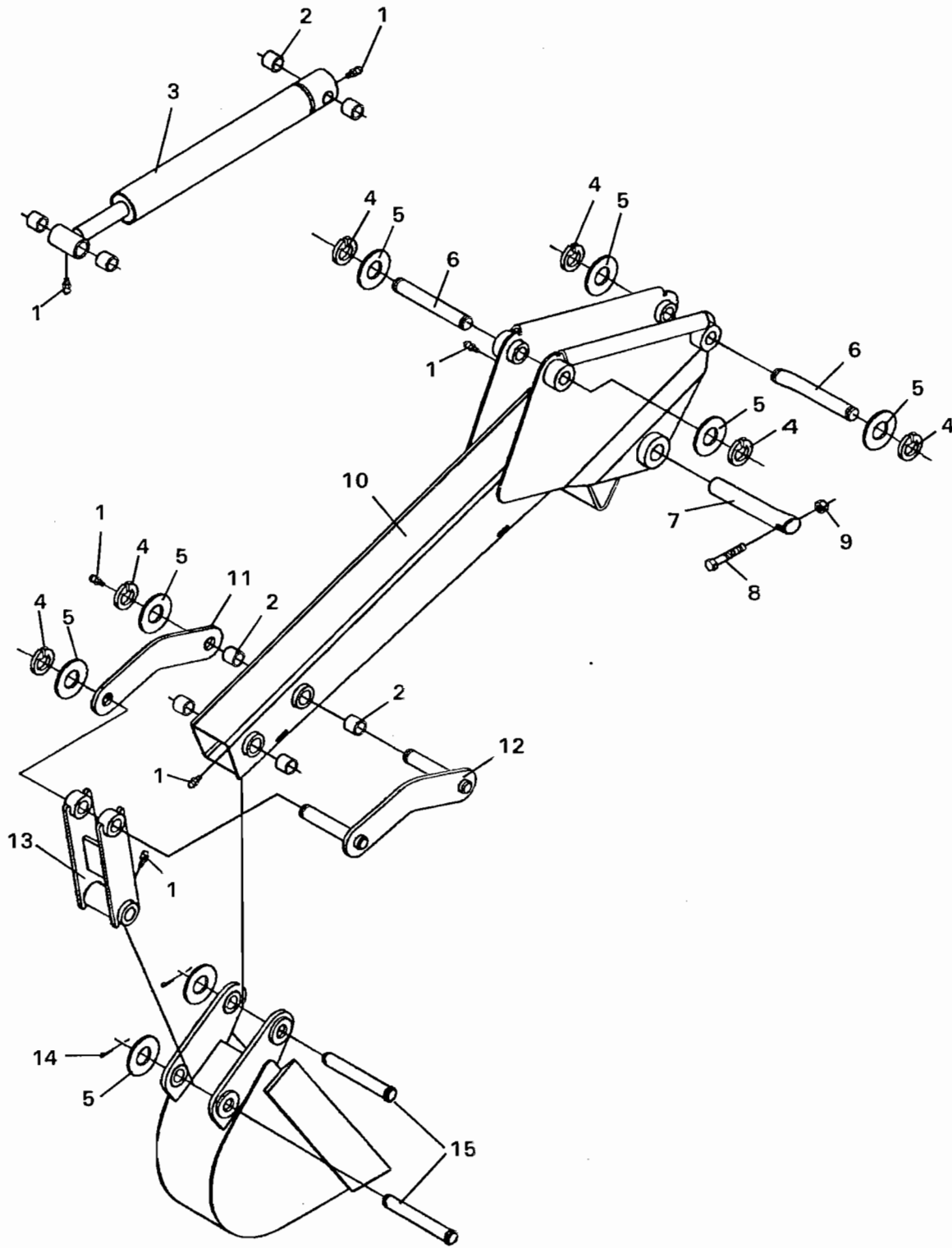
<u>NO</u>	<u>REQ'D</u>	<u>PART NO.</u>	<u>DESCRIPTION</u>
1	8	88380	Bushing (Included in Cylinder Assemblies)
2	1	88444	Dipper Cylinder Assembly (Includes (4) #88380 bushings)
3	1	88438	Boom Cylinder Assembly (Includes (4) #88380 bushings)
4	2	53031	90° Grease Zerk
5	2	6616	Grease Zerk
6	2	88557	Rubber Spacer
7	2	88556	Hose Clamp Plate
8	2	1043	.38" UNC X 1.00" Hex Capscrew
9	2	1503	.38" Lock Washer
10	3	1514	.38" Flat Washer
11	4	86564	Bushing (Included in Boom Assembly)
12	1	1860	Hair Pin
13	4	6612	Snap Ring
14	As Req'd	57462	Thrust Washer
15	1	87361	Boom Lock Pin
16	2	88484 (1)	Pivot Pin
17	1	1837	.38" UNC Deformed Lock Nut
18	1	82859	Double Hose Clamp
19	1	88374	Boom (Includes (4) #86564 bushings)
20	1	34108	Rubber Edging

NOTE:

(1) Pin #88484 is sold in Pin Kit #88939 only. Kit includes one pin #88484, two thrust washers #57462 and two snap rings #6612.

BOOM & DIPPER ASSEMBLY

ASSEMBLY #88404



BOOM & DIPPER ASSEMBLY

ASSEMBLY #88404

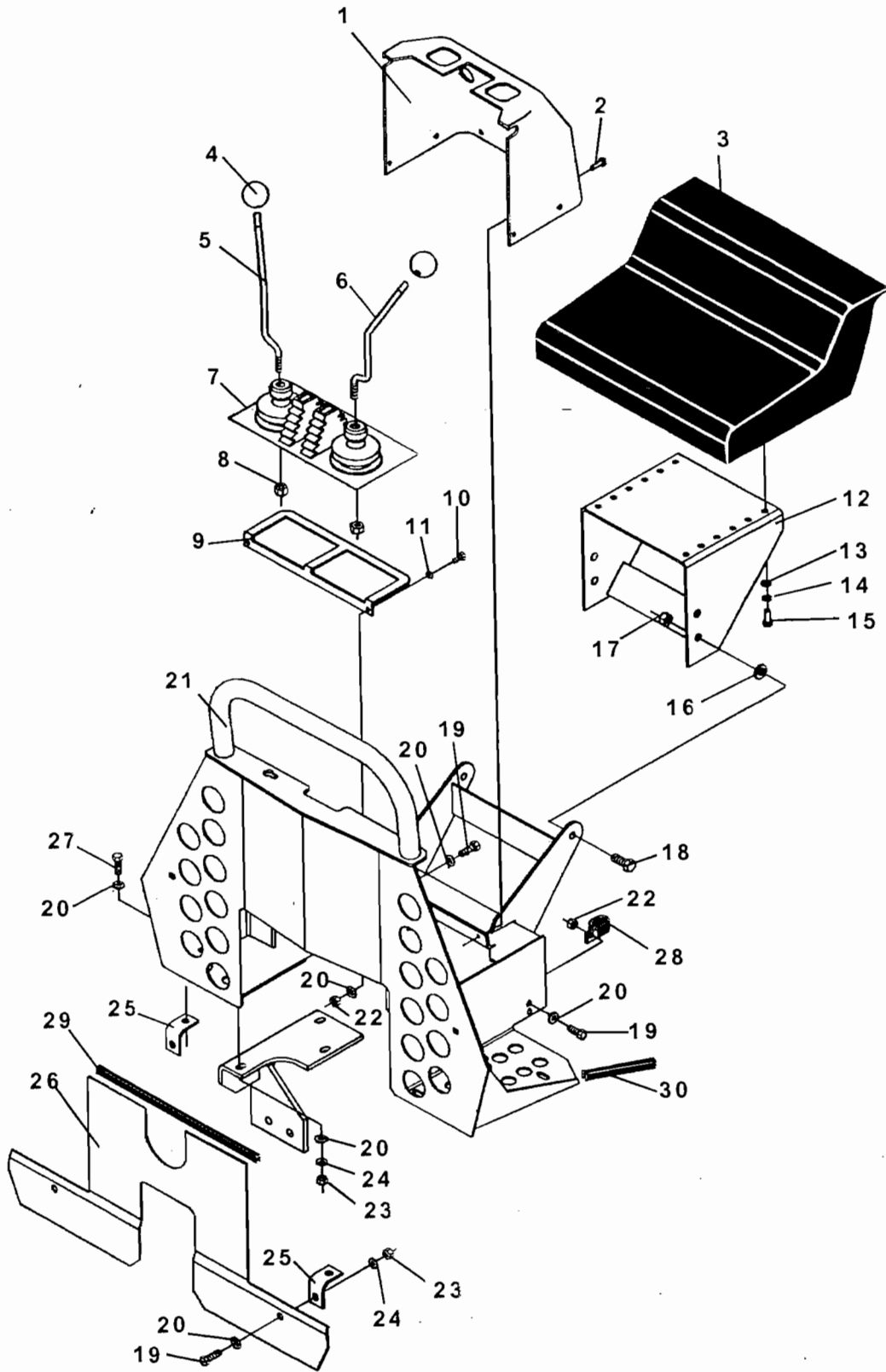
<u>NO</u>	<u>REQ'D</u>	<u>PART NO.</u>	<u>DESCRIPTION</u>
1	6	6616	Grease Zerk
2	8	88380	Bushing (Included in Cylinder and Dipper Assemblies)
3	1	88430	Bucket Cylinder Assembly (Includes (4) #88380 bushings)
4	6	6612	Snap Ring
5	As Req'd	57462	Thrust Washer
6	2	88482 (1)	Pivot Pin
7	1	88481	Pivot Pin
8	1	1051	.38" UNC X 3.00" Hex Capscrew
9	1	1837	.38" UNC Deformed Lock Nut
10	1	88362	Dipper (Includes (4) #88380 bushings)
11	1	88427	Dipper Link
12	1	88426	Dipper Link
13	1	88421	Bucket Link
14	2	1614	Cotter Pin
15	2	88485	Pivot Pin

NOTE:

(1) Pin #88482 is sold in Pin Kit #88937 only. Kit includes one pin #88482, two thrust washers #57462 and two snap rings #6612.

CONSOLE ASSEMBLY

ASSEMBLY #88940



CONSOLE ASSEMBLY

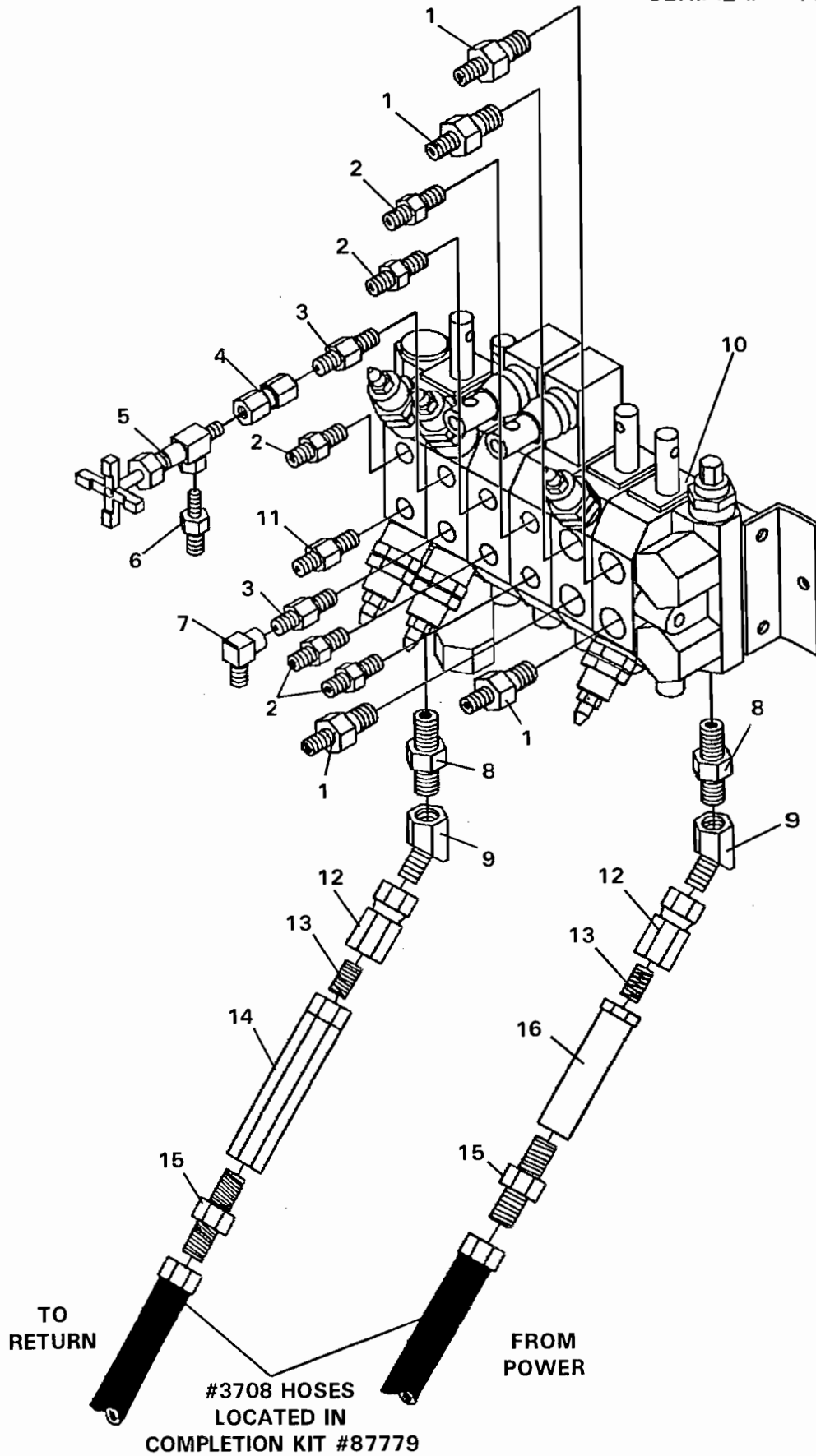
ASSEMBLY #88940

<u>NO</u>	<u>REQ'D</u>	<u>PART NO.</u>	<u>DESCRIPTION</u>
1	1	88003	Console Cover with Decals
2	6	1958	.25" UNC X .75" Flange Head Capscrew
3	1	6980	Seat
4	2	85838	Ball Handle
5	1	87952	Right Control Handle
6	1	87951	Left Control Handle
7	1	83235	Control Lever Boot
8	2	2558	M10 Hex Nut
9	1	85826	Boot Support Plate
10	2	1001	.25" UNC X .50" Hex Capscrew
11	2	1501	.25" Lock Washer
12	1	82999	Seat Mounting Bracket
13	4	1513	.31" Flat Washer
14	4	1502	.31" Lock Washer
15	4	1021	.31" UNC X .75" Hex Capscrew
16	2	1516	.50" Flat Washer
17	2	1542	.50" UNC Lock Nut
18	2	1088	.50" UNC X 1.00" Hex Capscrew
19	8	1043	.38" UNC X 1.00" Hex Capscrew
20	22	1514	.38" Flat Washer
21	1	86626	Console
22	4	1837	.38" UNC Deformed Lock Nut
23	10	1226	.38" UNC Hex Nut
24	10	1503	.38" Lock Nut
25	2	88529	"L" Bracket
26	1	88551	Closure Panel
27	6	1044	.38" UNC X 1.25" Hex Capscrew
28	2	82861	Double Hose Clamp
29	1	34126	Rubber Edging
30	2	34134	Rubber Edging

VALVE ASSEMBLY

ASSEMBLY #2238

SERIAL #---15188 & UP



7858
9-7-99

VALVE ASSEMBLY

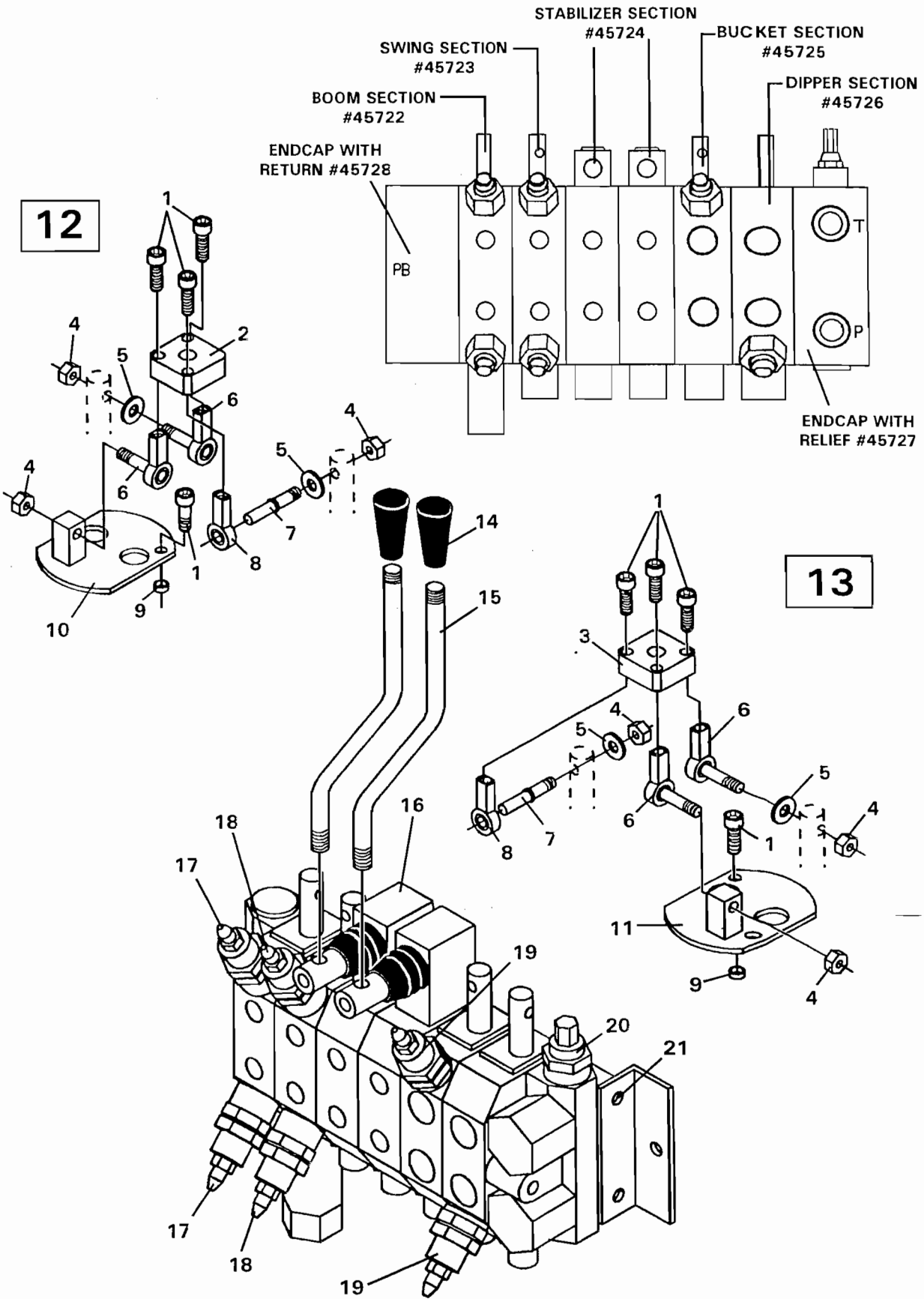
ASSEMBLY #2238

SERIAL #---15188 & UP

<u>NO</u>	<u>REQ'D</u>	<u>PART NO.</u>	<u>DESCRIPTION</u>
1	4	3269	Straight Adapter 8MBo-6MJ
2	5	3457	Straight Adapter 6MBo-6MJ
3	2	30185	Straight Adapter 6MBo-6MJ (With .076 Restrictor In - Free Flow Out)
4	1	30187	Swivel Connector 4FP-6FJX
5	1	3185	Needle Valve (Swing Speed Control)
6	1	3137	Straight Adapter 4MP-6MJ
7	1	3430	90° Street Adapter 6FJX-6MJ
8	2	3103	Straight Adapter 8MBo-8MJ
9	2	30015	45° Street Adapter 8FJX-8FJX
10	1	87075	6-Spool Hidroirma Valve with Float Position on Boom Section
11	1	30184	Straight Adapter 6MBo-6MJ (With .109 Restrictor In - Free Flow Out)
12	2	3273	Coupling 8FP-8FJX
13	2	3211	Close Nipple .50" NPT
14	1	45691	Check Valve
15	2	3070	Straight Adapter 8MP-8MJ
16	1	45132	Inline Filter

VALVE ASSEMBLY

HIDROIRMA VALVE #87075



VALVE ASSEMBLY

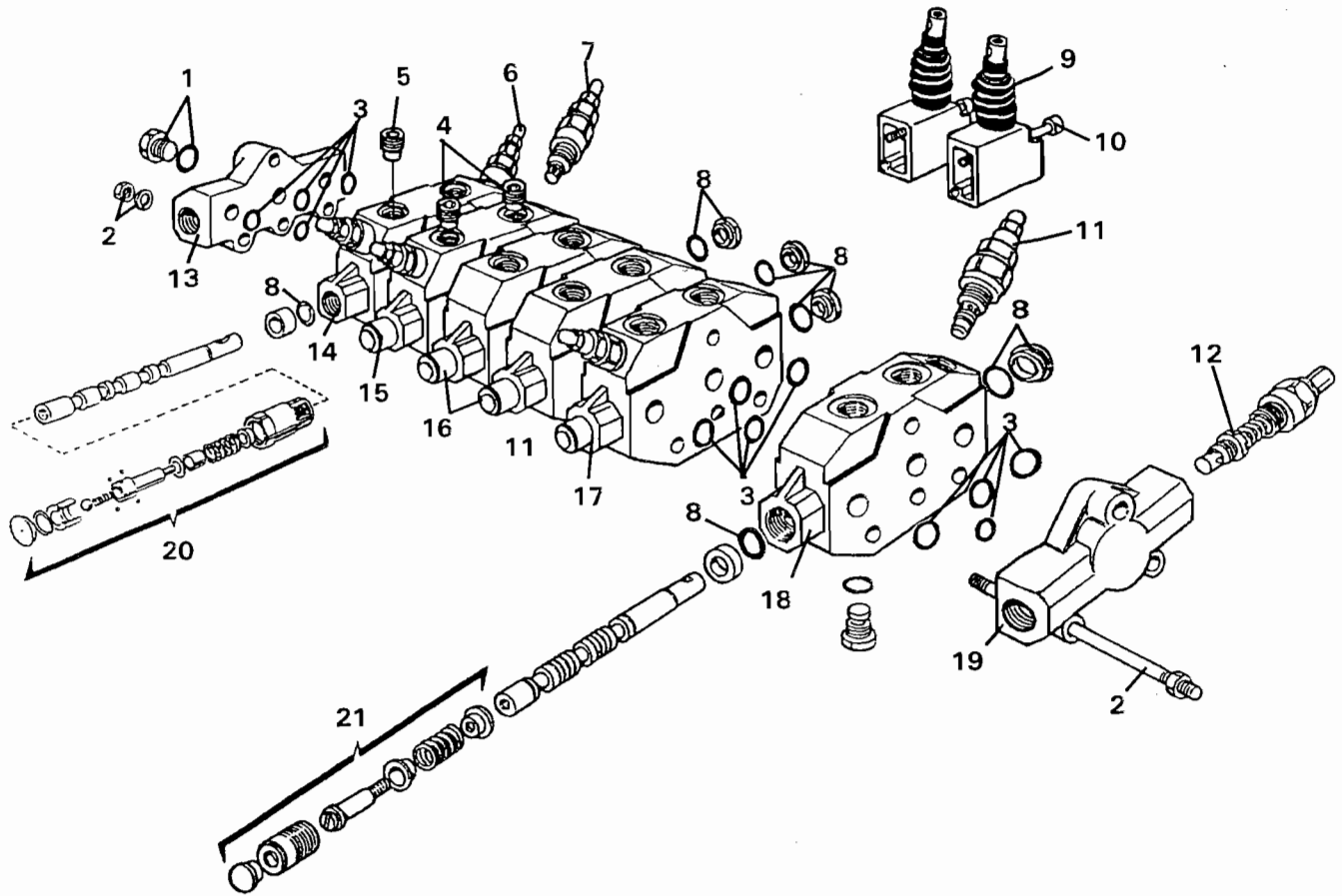
HIDROIRMA VALVE #87075

SERVICE PARTS

<u>NO</u>	<u>REQ'D</u>	<u>PART NO.</u>	<u>DESCRIPTION</u>
1	10	45702	Screw
2	1	45704	Joystick Plate - Left
3	1	45705	Joystick Plate - Right
4	6	45706	Nut
5	4	45707	Washer
6	4	45708	Terminal With Stud
7	2	45709	Joystick Spool Pin
8	2	45710	Terminal
9	4	45711	Bushing
10	1	45712	Left Joystick Support
11	1	45713	Right Joystick Support
12	-	45717	Left Joystick Assembly (Includes Items 1, 2, 4, 5, 6, 7, 8, 9, 10)
13	-	45718	Right Joystick Assembly (Includes Items 1, 3, 4, 5, 6, 7, 8, 9, 11)
14	2	86338	Knob
15	2	85837	Stabilizer Control Lever
16	-	85511	Complete Valve Assembly (Includes all Items on this Page)
17	2	45714	Circuit Relief With Anti-Cav. @ 2500 PSI
18	2	45715	Circuit Relief With Anti-Cav. @ 2250 PSI
19	2	45716	Circuit Relief @ 2500 PSI
20	1	45719	Main Relief @ 2250 PSI
21	3	45736	Tie Bolt Assembly (Includes Tie Bolt, Washer & Nut)

VALVE ASSEMBLY

REPLACEMENT PARTS - HYDROIRMA VALVE



VALVE ASSEMBLY

REPLACEMENT PARTS - HIDROIRMA VALVE

<u>NO</u>	<u>REQ'D</u>	<u>PART NO.</u>	<u>DESCRIPTION</u>
1	-	3341	Plug 8MBo
	-	3306	Replacement O'Ring
2	-	45736	Tie Rod Assembly (Includes Nuts & Washers)
3	-	45720	Section Seal Kit
4	-	45731	Restrictor .076
5	-	45732	Restrictor .109
6	-	45714	Circuit Relief With Anti-Cav. @ 2500 PSI
7	-	45715	Circuit Relief With Anti-Cav. @ 2250 PSI
8	-	45721	Spool Seal Kit
9	-	45733	Stabilizer Lever Assembly
10	-	45735	Single Slot Screw
11	-	45716	Circuit Relief @ 2500 PSI
12	-	45719	Main Relief @ 2250 PSI
13	-	45728	Endcap With Return
14	-	45722	Valve Section - Boom
15	-	45723	Valve Section - Swing
16	-	45724	Valve Section - Stabilizers
17	-	45725	Valve Section - Bucket
18	-	45726	Valve Section - Dipper
19	-	45727	Endcap With Relief
20	-	45730	Float Assembly (Spool NOT Included) (If Float Spool is damaged, it is recommended to purchase a complete Valve Section.)
21	-	45729	Positioner Assembly (Spool NOT Included) (If Positioner Spool is damaged, it is recommended to purchase a complete Valve Section.)

NOTES:

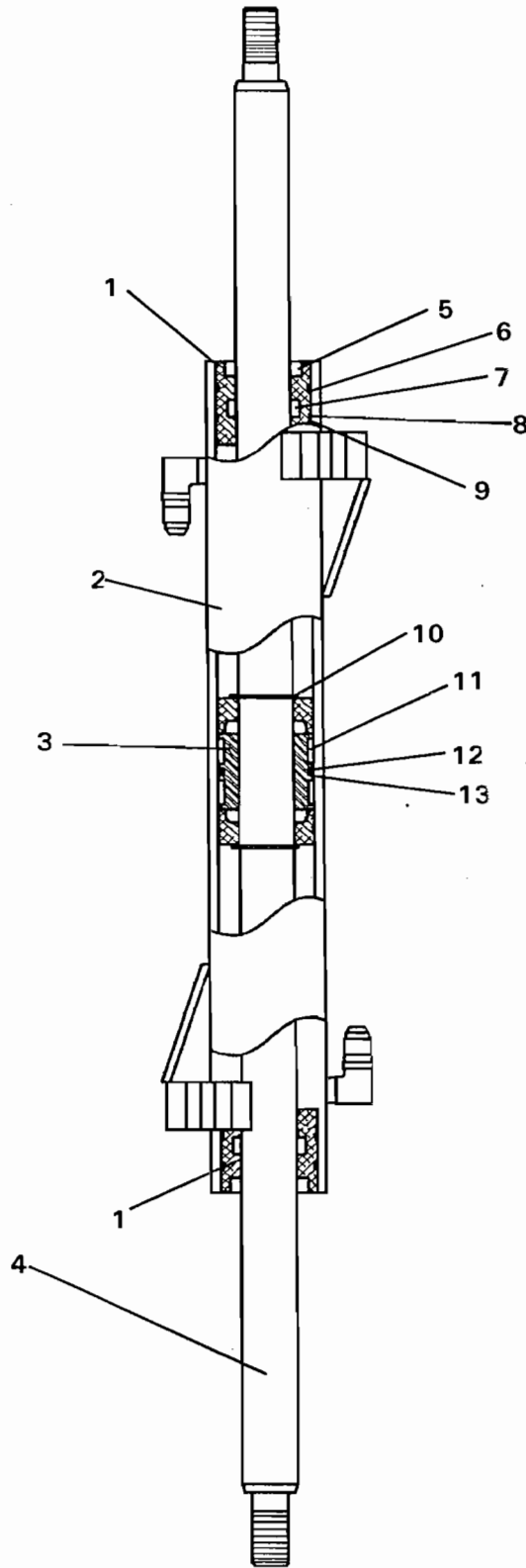
Items without part numbers are not sold separately.

Spool Seal Kit #45721 contains (2) O-Ring Seals and (1) Flanged Washer.

Section Seal Kit #45720 includes (4) O'Rings O'Ring Seals.

CYLINDER ASSEMBLY

SWING CYLINDER ASSEMBLY #88474



CYLINDER ASSEMBLY

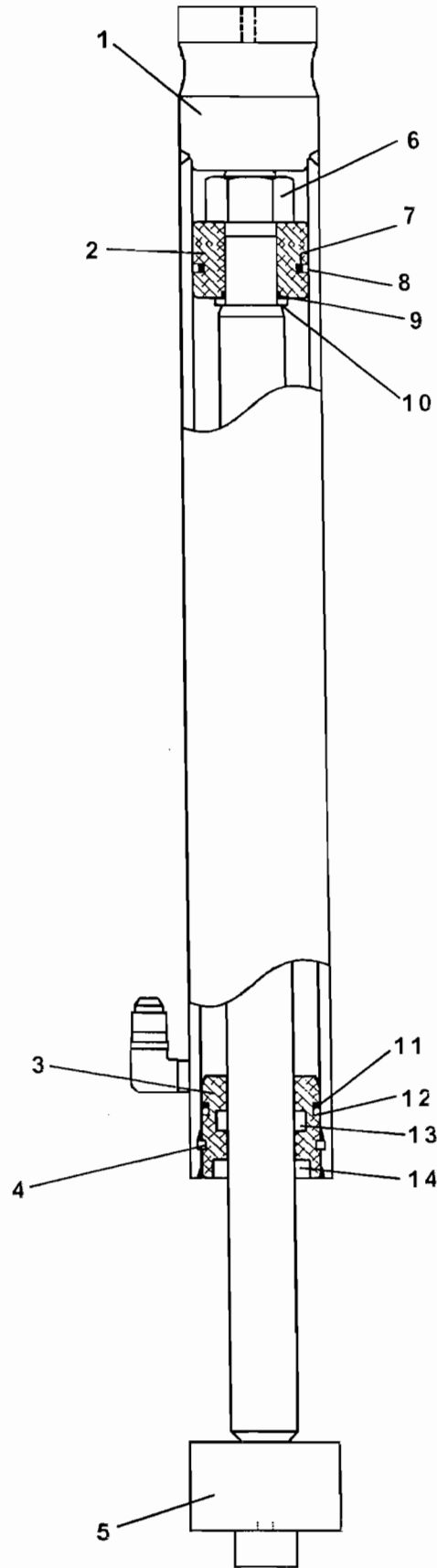
SWING CYLINDER ASSEMBLY #88474

<u>NO</u>	<u>REQ'D</u>	<u>PART NO.</u>	<u>DESCRIPTION</u>
1	2	64891	Gland
2	1	88475	Cylinder Tube
3	2	88519	Cushion Ring
4	1	88477	Cylinder Rod
5	2	4981*	Rod Wiper
6	2	7164*	Gland Retainer Ring
7	2	45262*	Poly Pak Seal
8	2	4634*	Back-Up Washer
9	2	4633*	O'Ring
10	2	1998*	Retaining Ring
11	2	45760	Wear Ring
12	1	4637*	O-Ring
13	1	4636*	Piston Ring

NOTE: Seal Kit #45765 includes all parts marked with an asterisk (*). Parts are not sold separately.

CYLINDER ASSEMBLY

STABILIZER CYLINDER ASSEMBLY #88930



CYLINDER ASSEMBLY

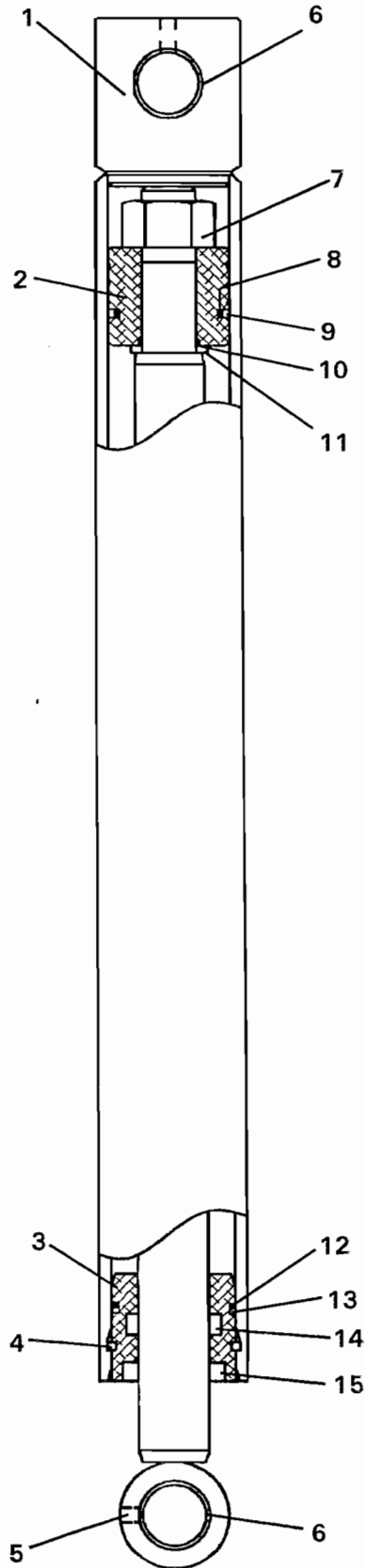
STABILIZER CYLINDER ASSEMBLY #88930

<u>NO</u>	<u>REQ'D</u>	<u>PART NO.</u>	<u>DESCRIPTION</u>
1	1	88929	Cylinder Tube
2	1	88431	Piston
3	1	64891	Gland
4	1	7164*	Gland Retainer Ring
5	1	88932	Cylinder Rod
6	1	1482	.88" UNF Lock Nut
7	1	4637*	O'Ring
8	1	4636*	Piston Ring
9	1	4635*	O-Ring
10	1	52644	Washer
11	1	4633*	O-Ring
12	1	4634*	Back-Up Washer
13	1	45262*	Poly Pak Seal
14	1	4981*	Rod Wiper

NOTE: Seal Kit #45581 includes all parts marked with an asterisk (*). Parts are not sold separately.

CYLINDER ASSEMBLY

BOOM CYLINDER ASSEMBLY #88438



CYLINDER ASSEMBLY

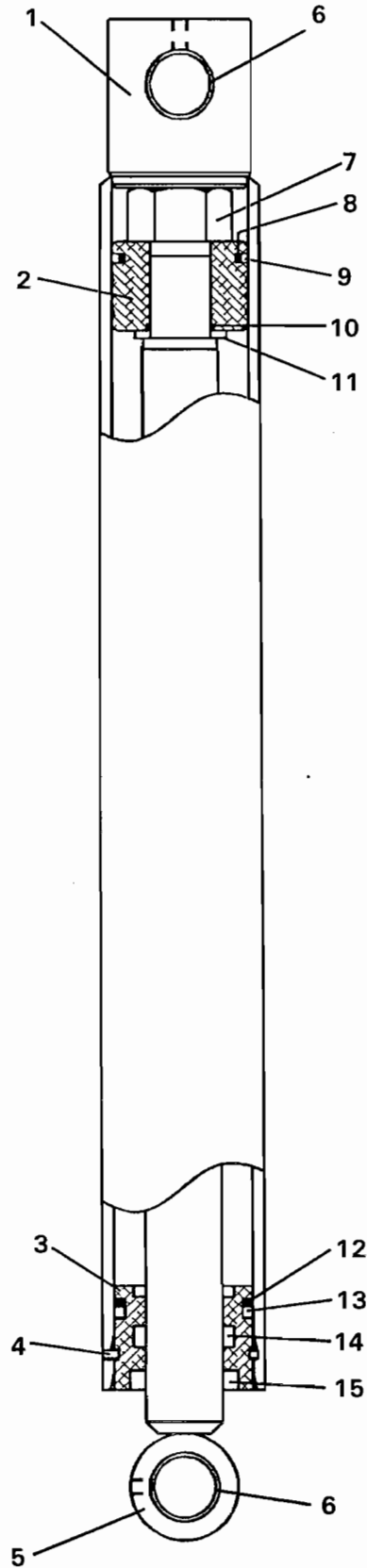
BOOM CYLINDER ASSEMBLY #88438

<u>NO</u>	<u>REQ'D</u>	<u>PART NO.</u>	<u>DESCRIPTION</u>
1	1	88439	Cylinder Tube
2	1	88431	Piston
3	1	64891	Gland
4	1	7164*	Gland Retainer Ring
5	1	88441	Cylinder Rod
6	4	88380	Bushing
7	1	1482	.88" UNF Lock Nut
8	1	4637*	O'Ring
9	1	4636*	Piston Ring
10	1	4635*	O-Ring
11	1	52644	Washer
12	1	4633*	O-Ring
13	1	4634*	Back-Up Washer
14	1	45262*	Poly Pak Seal
15	1	4981*	Rod Wiper

NOTE: Seal Kit #45581 includes all parts marked with an asterisk (*). Parts are not sold separately.

CYLINDER ASSEMBLY

DIPPER CYLINDER ASSEMBLY #88444



CYLINDER ASSEMBLY

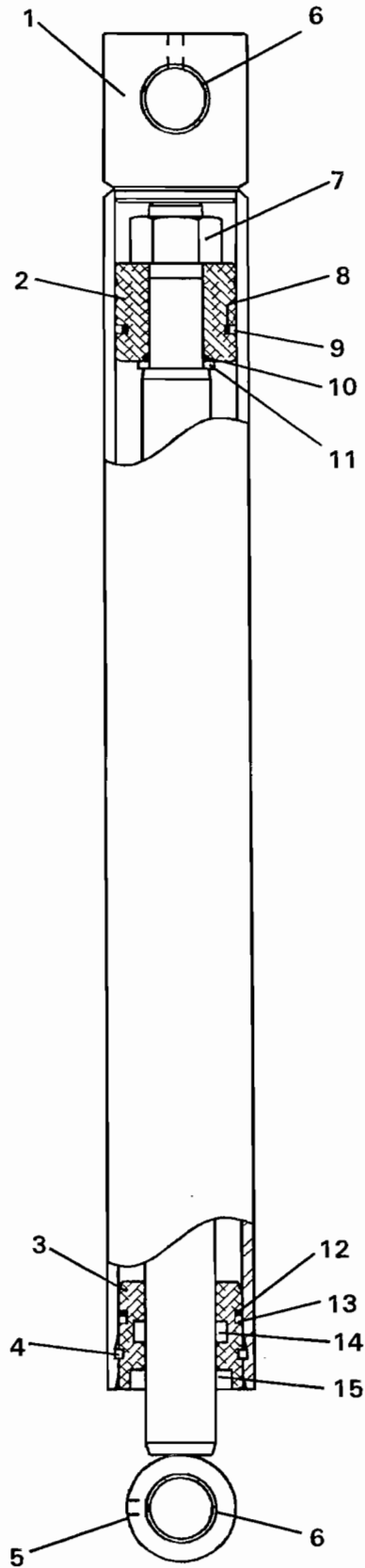
DIPPER CYLINDER ASSEMBLY #88444

<u>NO</u>	<u>REQ'D</u>	<u>PART NO.</u>	<u>DESCRIPTION</u>
1	1	88446	Cylinder Tube
2	1	88445	Piston
3	1	86508	Gland
4	1	7165*	Gland Retainer Ring
5	1	88449	Cylinder Rod
6	4	88380	Bushing
7	1	1483	1.00" UNF Lock Nut
8	1	45443*	O'Ring
9	1	45701*	Piston Ring
10	1	4641*	O-Ring
11	1	5421	Washer
12	1	45699*	O-Ring
13	1	45700*	Back-Up Washer
14	1	45219*	Poly Pak Seal
15	1	4974*	Rod Wiper

NOTE: Seal Kit #45703 includes all parts marked with an asterisk (*). Parts are not sold separately.

CYLINDER ASSEMBLY

BUCKET CYLINDER ASSEMBLY #88430



CYLINDER ASSEMBLY

BUCKET CYLINDER ASSEMBLY #88430

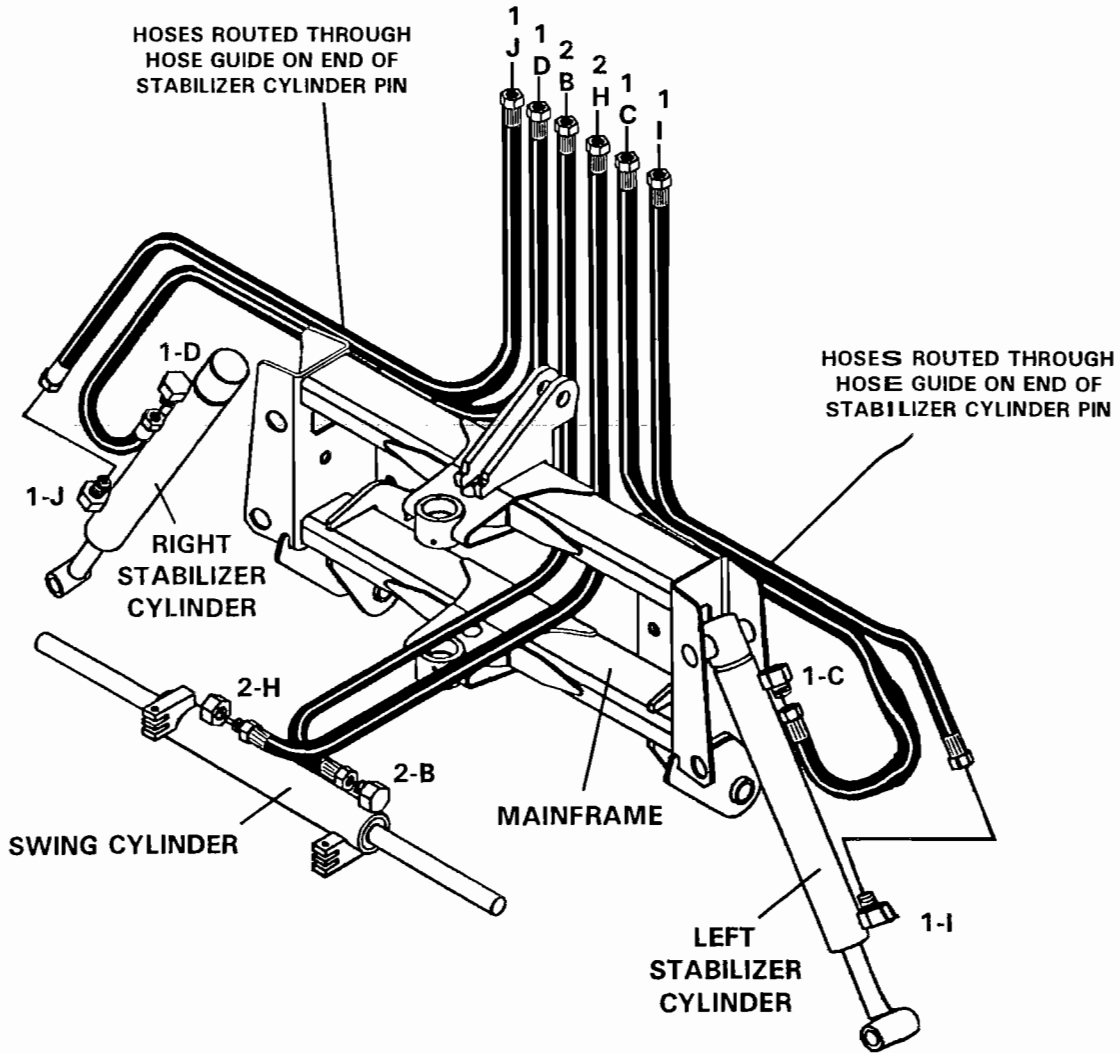
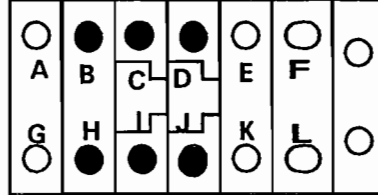
<u>NO</u>	<u>REQ'D</u>	<u>PART NO.</u>	<u>DESCRIPTION</u>
1	1	88432	Cylinder Tube
2	1	88431	Piston
3	1	64891	Gland
4	1	7164*	Gland Retainer Ring
5	1	88435	Cylinder Rod
6	4	88380	Bushing
7	1	1482	.88" UNF Lock Nut
8	1	4637*	O'Ring
9	1	4636*	Piston Ring
10	1	4635*	O-Ring
11	1	52644	Washer
12	1	4633*	O-Ring
13	1	4634*	Back-Up Washer
14	1	45262*	Poly Pak Seal
15	1	4981*	Rod Wiper

NOTE: Seal Kit #45581 includes all parts marked with an asterisk (*). Parts are not sold separately.

MAINFRAME HOSE SET

ASSEMBLY #88406

HYDRAULIC CONTROL VALVE



MAINFRAME HOSE SET

ASSEMBLY #88406

<u>NO</u>	<u>REQ'D</u>	<u>PART NO.</u>	<u>DESCRIPTION</u>
1	4	37739	Hose Assembly 56" (SAE 100R16-2Wire) 6FJX - 6FJX
2	2	37740	Hose Assembly 34" (SAE 100R16-2Wire) 6FJX - 6FJX

NOTE: Letters on the hose set diagram show the hydraulic hose routing between the backhoe control valve and the various hydraulic cylinders. Simply match the letter on the control valve port to the same letter on the hydraulic hose ends. Example: Hose labeled "C" runs from the upper Left Stabilizer port on the hydraulic control valve - through the hose guide located on the end of the stabilizer cylinder pin - and to the barrel end fitting on the left stabilizer cylinder.

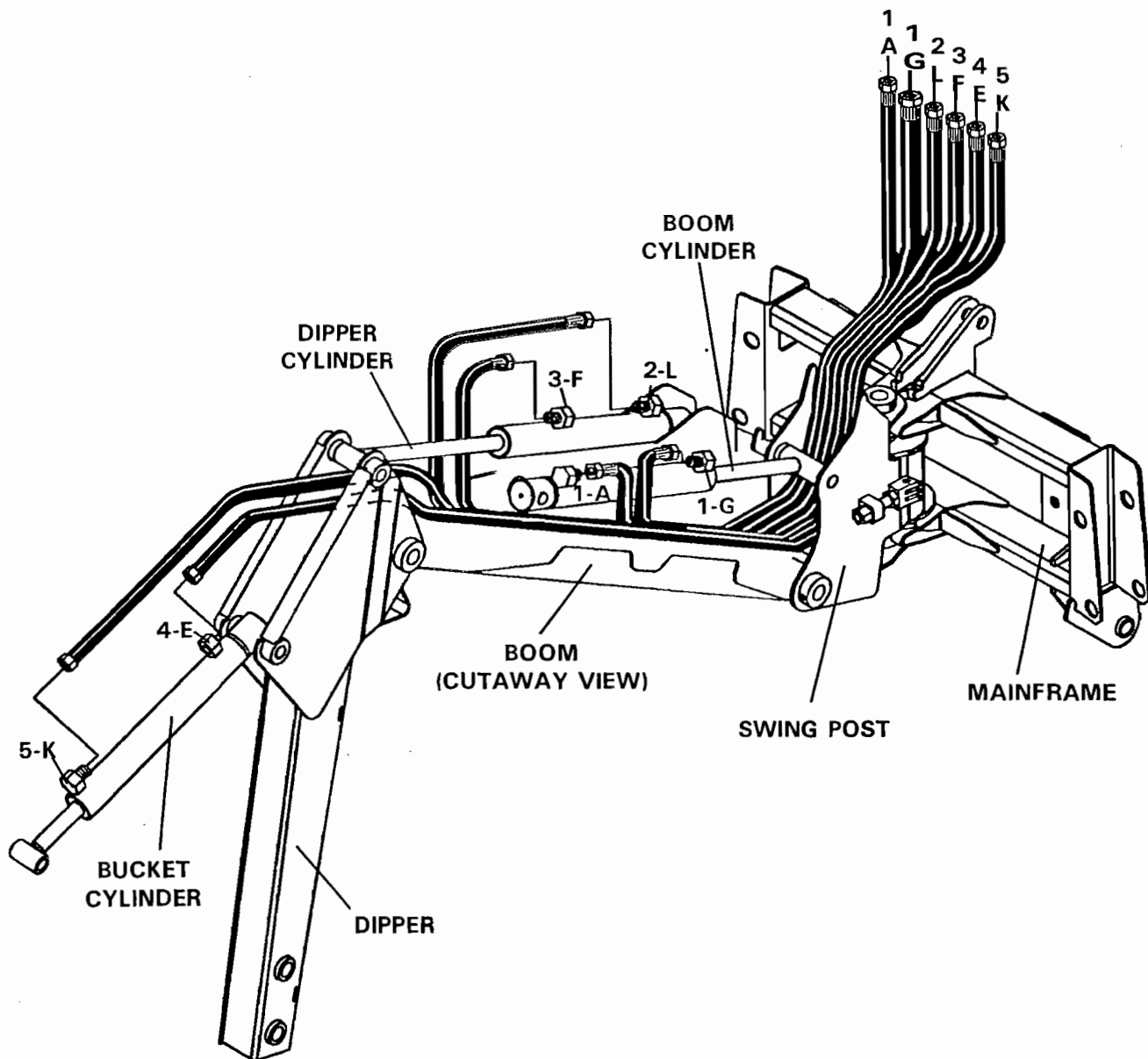
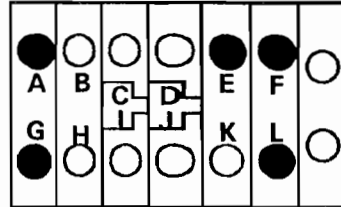
NOTE: The fittings on the hydraulic cylinders have been altered for clarity purposes. This will assist you in distinguishing between the rod end and the barrel end of the various hydraulic cylinders.

8106
5-16-00

BOOM & DIPPER HOSE SET

ASSEMBLY #88407

HYDRAULIC CONTROL VALVE



8107
5-16-00

BOOM & DIPPER HOSE SET

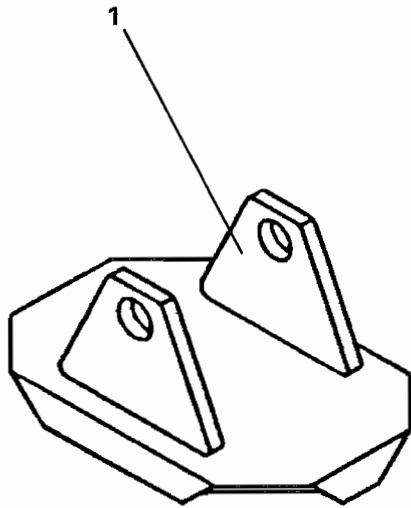
ASSEMBLY #88407

<u>NO</u>	<u>REQ'D</u>	<u>PART NO.</u>	<u>DESCRIPTION</u>
1	2	37741	Hose Assembly 72" (SAE 100R16-2Wire) 6FJX - 6FJX
2	1	37743	Hose Assembly 113" (SAE 100R16-2Wire) 6FJX - 6FJX
3	1	37742	Hose Assembly 96" (SAE 100R16-2Wire) 6FJX - 6FJX
4	1	37744	Hose Assembly 114" (SAE 100R16-2Wire) 6FJX - 6FJX
5	1	37745	Hose Assembly 130" (SAE 100R16-2Wire) 6FJX - 6FJX

NOTE: Letters on the hose set diagram show the hydraulic hose routing between the backhoe control valve and the various hydraulic cylinders. Simply match the letter on the control valve port to the same letter on the hydraulic hose ends. Example: Hose labeled "G" runs from the lower Boom port on the hydraulic control valve - through the swing post - and to the rod end fitting on the boom cylinder.

NOTE: The fittings on the hydraulic cylinders have been altered for clarity purposes. This will assist you in distinguishing between the rod end and the barrel end of the various hydraulic cylinders.

STABILIZER PADS



STABILIZER PADS

<u>NO</u>	<u>REQ'D</u>	<u>PART NO.</u>	<u>DESCRIPTION</u>
-----------	--------------	-----------------	--------------------

GROUSER STABILIZER PAD ASSEMBLY - #88707

1	2	88515	Grouser Stabilizer Pad
---	---	-------	------------------------

MOUNTING KIT INSTALLATION

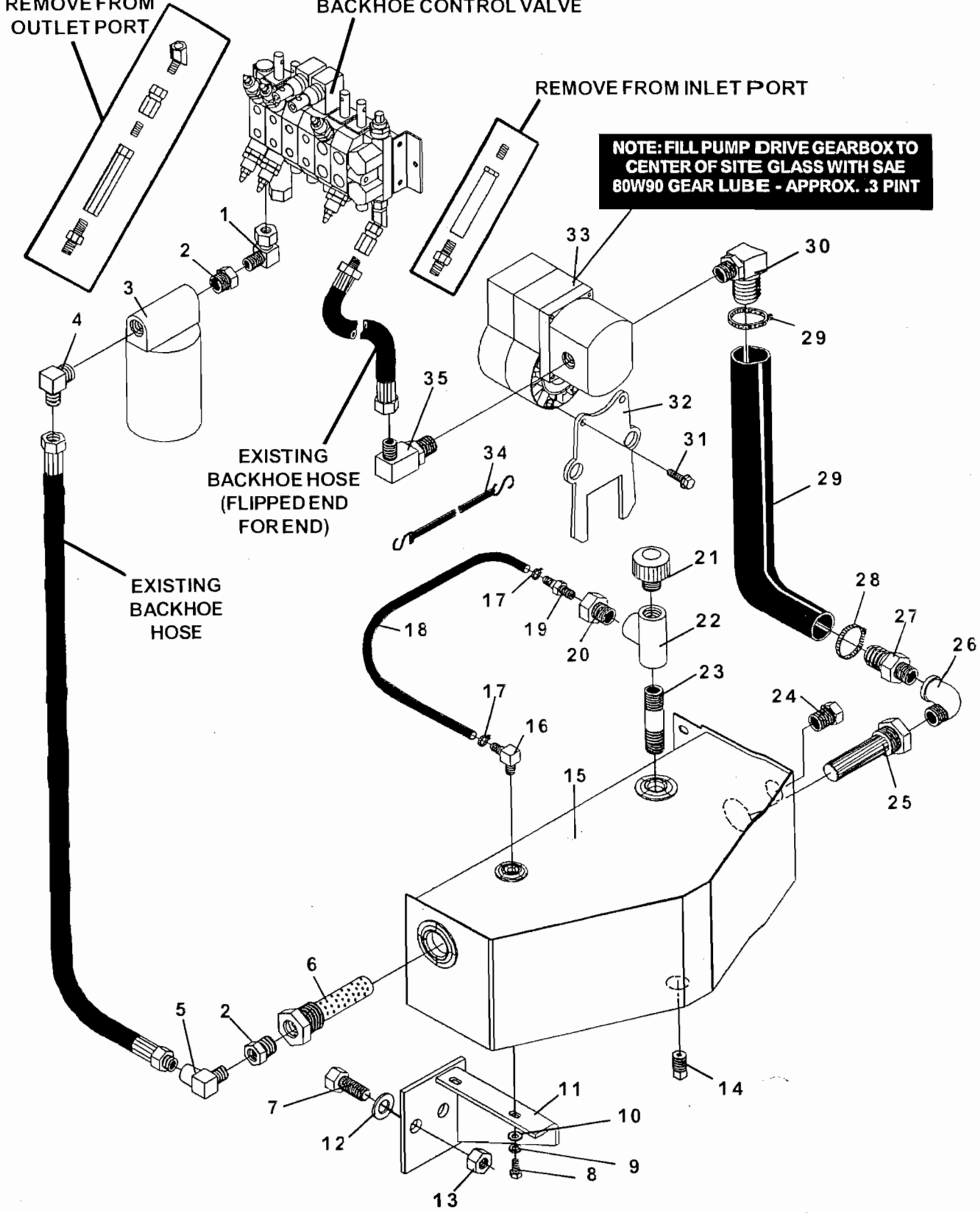
PTO PUMP HYDRAULIC KIT #87893

REMOVE FROM
OUTLET PORT

BACKHOE CONTROL VALVE

REMOVE FROM INLET PORT

**NOTE: FILL PUMP DRIVE GEARBOX TO
CENTER OF SITE GLASS WITH SAE
80W90 GEAR LUBE - APPROX. .3 PINT**



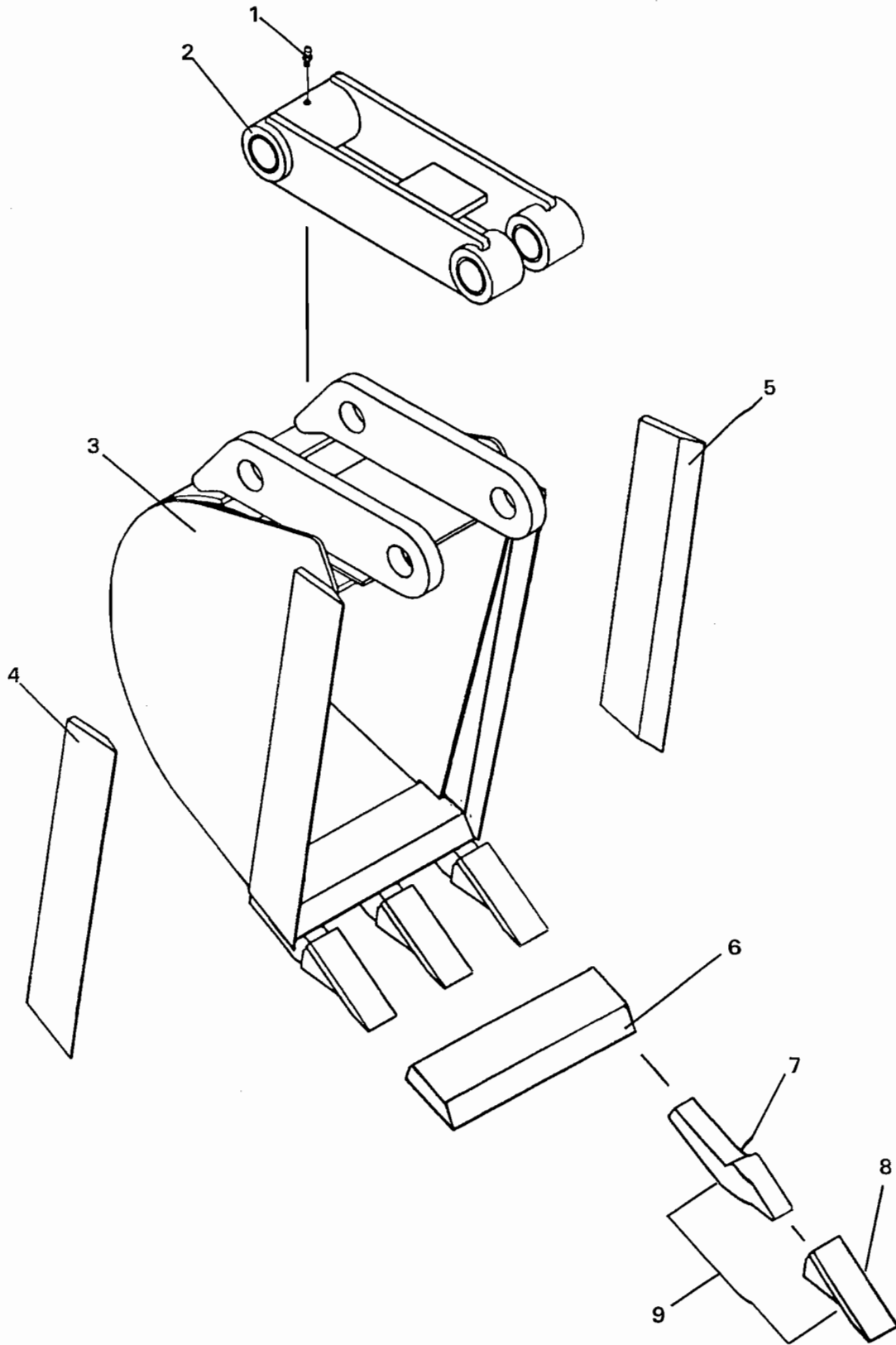
MOUNTING KIT INSTALLATION

PTO PUMP HYDRAULIC KIT #87893

<u>NO</u>	<u>REQ'D</u>	<u>PART NO.</u>	<u>DESCRIPTION</u>
1	1	3444	90° Elbow
2	2	3049	Bushing
3	1	4997	Oil Filter with Housing
	-	4996	Replacement Oil Filter
	-	4137	Replacement Change Oil Decal
4	1	3065	90° Elbow
5	1	3133	90° Elbow
6	1	45756	Diffuser
7	4	1139	.75" UNC X 2.00" Hex Capscrew
8	4	1042	.38" UNC X .75" Hex Capscrew
9	4	1503	.38" Lock Washer
10	4	1800	.38" Hard Flat Washer
11	1	87932	Left Tank Mounting Bracket (Shown)
	1	87931	Right Tank Mounting Bracket
12	4	1649	.75" Hard Flat Washer
13	4	1534	.75" UNC Lock Nut
14	1	79032	Magnetic Plug
15	1	87889	Hydraulic Tank
16	1	3012	90° Hose Barb
17	2	53167	Hose Clamp
18	1	37737	Cross Vent Hose
19	1	3011	Hose Barb
20	1	3140	Bushing
21	1	54645	Breather Cap
22	1	3068	Tee
23	1	3159	Nipple
24	1	85339	Site Gauge
25	1	45755	Suction Strainer
26	1	3076	90° Elbow
27	1	3053	Hose Barb
28	2	6490	Hose Clamp
29	1	35929	Suction Hose
30	1	3339	90° Hose Barb
31	2	1992	.38" UNC X 1.00" Self-Tapping Hex Capscrew
32	1	87941	Anti-Rotation Pump Plate
33	1	87840	PTO Hydraulic Pump with Gearbox
34	1	88128	Bungy Cord
35	1	3283	90° Elbow

**NOTE: FILL PUMP DRIVE GEARBOX TO CENTER OF SITE GLASS WITH
SAE 80W90 GEAR LUBE - APPROX. .3 PINT**

BUCKET ASSEMBLIES



8135
6-1-00

BUCKET ASSEMBLIES

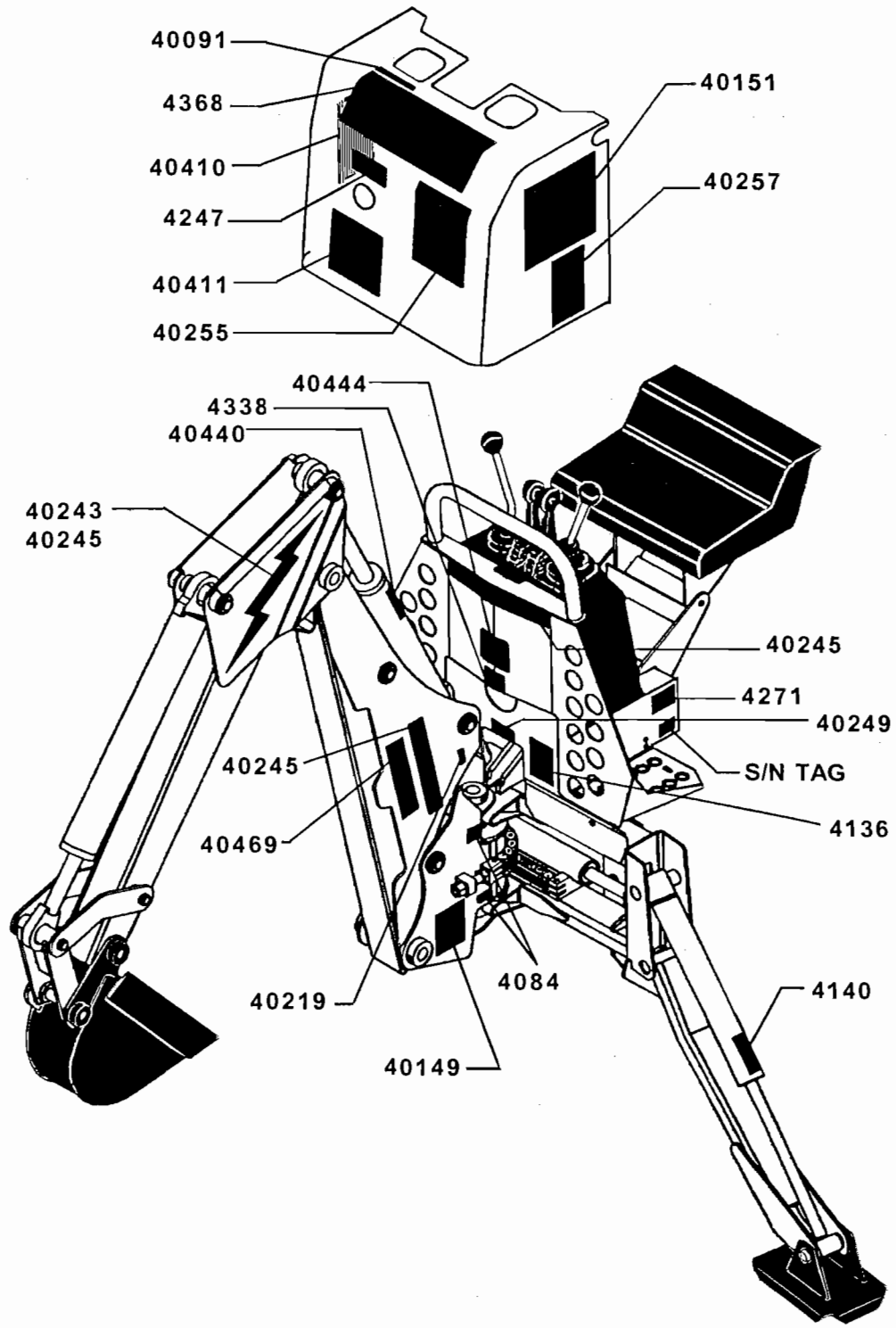
<u>NO</u>	<u>PART NO.</u>	<u>DESCRIPTION</u>
1	6616	Replacement Grease Zerk
2	88421	Replacement Bucket Link (Requires (1) #6616 Grease Zerk)
3	88508	8" Bucket Weldment
	88510	10" Bucket Weldment
	88512	12" Bucket Weldment
	88516	16" Bucket Weldment
	88518	18" Bucket Weldment
4	88494	Replacement Right Side Cutter
5	88495	Replacement Left Side Cutter
6	88558	8" Replacement Front Cutter Edge
	88596	10" Replacement Front Cutter Edge
	88496	12" Replacement Front Cutter Edge
	88599	16" Replacement Front Cutter Edge
	88604	18" Replacement Front Cutter Edge
7	6398	Replacement Tooth Shank
8	6397	Replace Tooth Point
9	8274	Replacement Tooth Point & Shank

DECALS

DECAL PLACEMENT

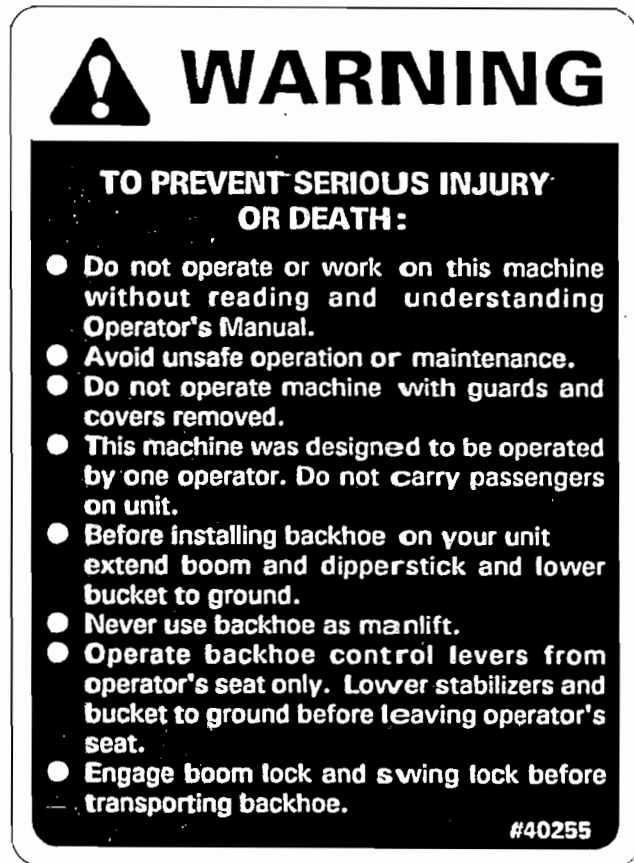
GENERAL INFORMATION

The diagrams on this page show the location of all the decals used on the 3265 backhoe. The decals are identified by their part numbers, with reductions of the actual decals located on the following pages. Use this information to order replacements for lost or damaged decals. Be sure to read all decals before operating the backhoe. They contain information you need to know for both safety and backhoe longevity.

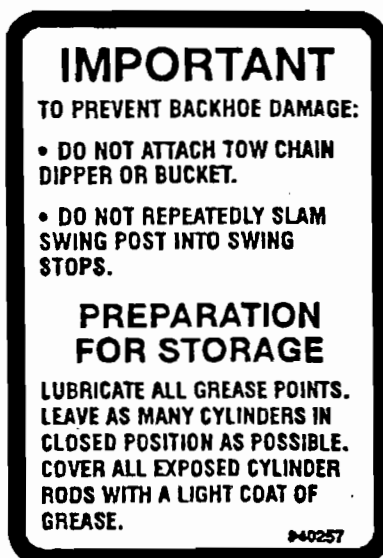




PART #40151
HIGH PRESSURE FLUID DECAL



PART #40255
OPERATIONAL WARNING DECAL

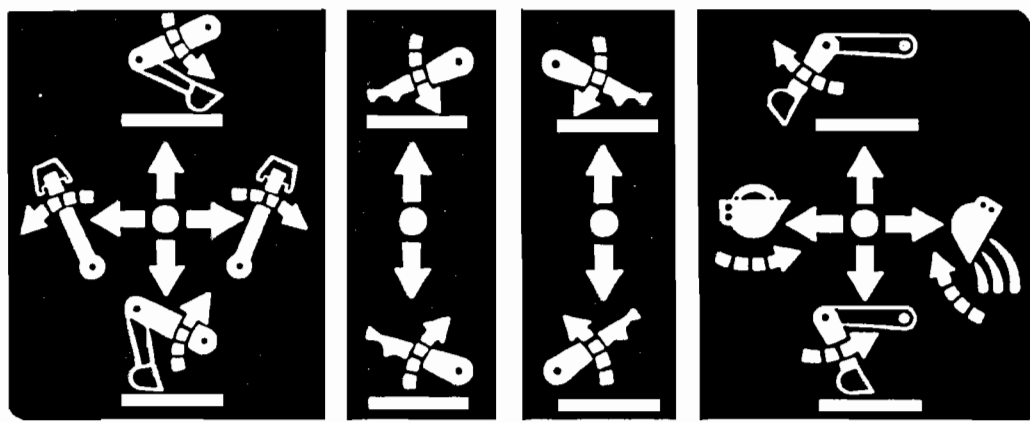


PART #40257
IMPORTANT! DECAL



PART #40149
DANGER! PINCH POINTS

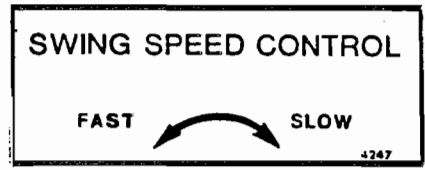
DECALS



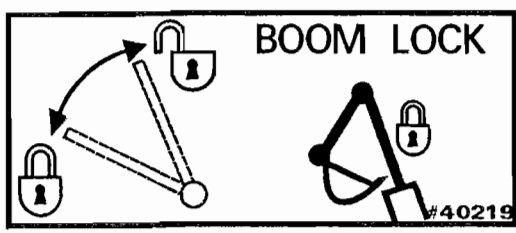
PART #4368
OPERATING CONTROLS DECAL



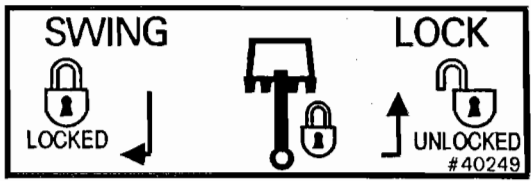
PART #40091
FLOAT DECAL



PART #4247
SWING SPEED CONTROL DECAL



PART #40219
BOOM LOCK DECAL



PART #40249
SWING LOCK DECAL

IMPORTANT

The backhoe bucket is capable of contacting this stabilizer and/or cylinder. Carefull operation will avoid backhoe damage.

4140

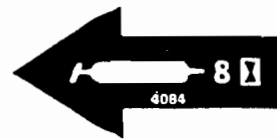
PART #4140
BUCKET CONTACT WARNING DECAL



PART #40440
CALL BEFORE YOU DIG



PART #4338
MADE IN U.S.A. DECAL



PART #4084
GREASE 8 HOURS

⚠ CAUTION

3265 BACKHOE AND 3-POINT LIMITATIONS

**For Use On Compact Tractors:
15 - 30 Horsepower.
800 - 2000 Lbs. Rated Hitch Lift Capacity.
Up To 3000 Lbs. GVW.**

**Mounting This Backhoe On Larger
Tractors May Result In Serious
Damage To The Backhoe And Void
Warranties.**

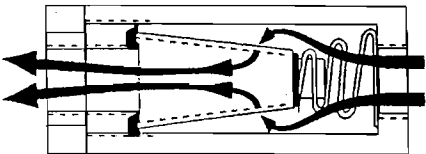
**Sustained Heavy Use Of Backhoe
May Result In Damage To The Tractor.**

#40444

**PART #40444
CAUTION! BACKHOE LIMITATIONS**

SERVICE INFORMATION #4271

THIS IS AN INLINE 90 MICRON SINTERED BRONZE FILTER. IF PLUGGED OR PARTIALLY FILLED IT WILL REDUCE BACKHOE PERFORMANCE. REMOVE AND WASH OUT REGULARLY. REPLACE ELEMENT #45133 IF DIFFICULT TO BLOW THROUGH AFTER WASHING. SEE FULL INSTRUCTIONS IN OWNERS MANUAL.



**PART #4271
INLINE FILTER DECAL**

**IMPORTANT NOTICE REGARDING
3-POINT HITCH BACKHOES.**

BRADCO MAKES NO CLAIMS OR WARRANTY, IMPLIED OR OTHERWISE, as to the compatibility or structural integrity of any tractors 3-point hitch assembly or components when used with any BRADCO 3-point hitch type backhoe. Since many models of tractors have standard category hitches and backhoes have standard category attaching points, it is possible to mount tractor or backhoe combinations that are not compatible.

DEALERS AND/OR OWNERS MUST DETERMINE THAT COMPATIBILITY BETWEEN THE TRACTOR AND BACKHOE EXISTS.

Compatibility includes, but is not limited to items such as operator clearance, hitch component strength, tractor case strength and hydraulics.

Suggestions given as to hitch categories and horsepower ranges used with various models of backhoes are suggestions only and not recommendations as to suitability of any combination of tractors and backhoes.

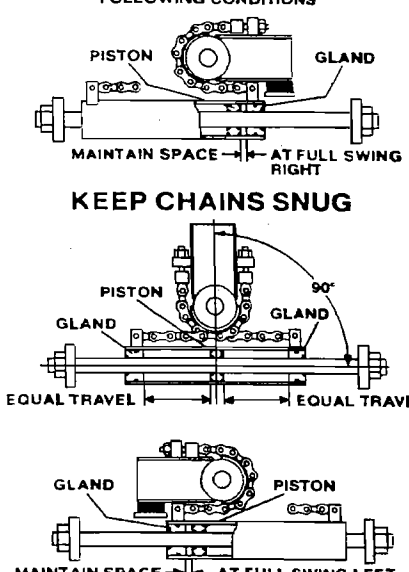
BRADCO also manufactures solid 4-point mounting kits for many models of tractors. These kits do NOT mount to the 3-Point hitch. If in doubt about your hitch compatibility, solid 4-point mounting type kit and backhoe should be used.

#40410

**PART #40410
IMPORTANT NOTICE**

SWING CHAIN ADJUSTMENT

MUST PROVIDE THE FOLLOWING CONDITIONS



KEEP CHAINS SNUG

4134

**PART #4136
SWING CHAIN ADJUSTMENT**

BRADCO

PART #40245
BRADCOLOGO - SILVER

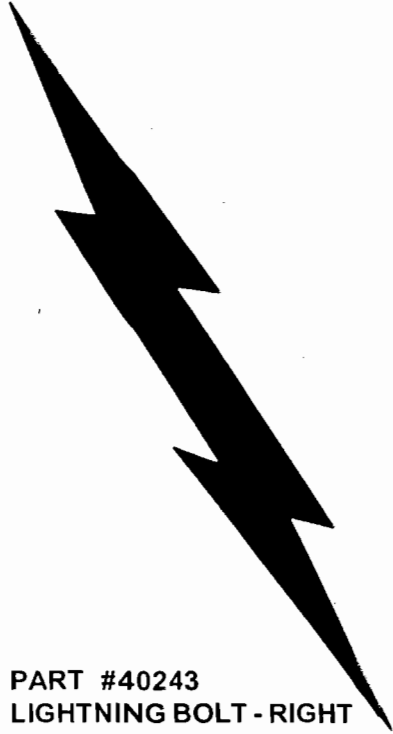
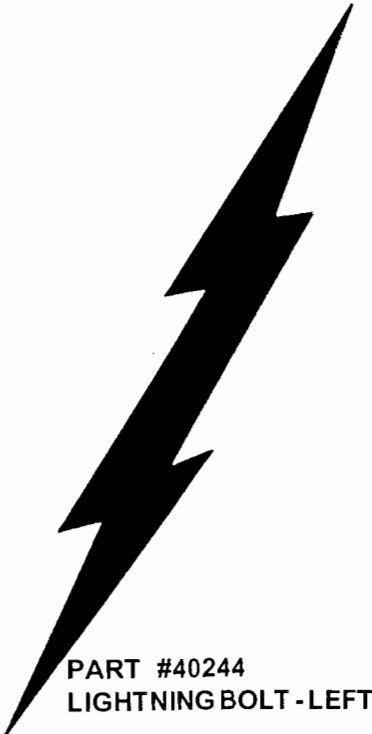
3265

PART #40469
3265 MODEL NUMBER

⚠ WARNING

TO AVOID SERIOUS INJURY OR DEATH

- Use **ONLY** on Category I tractors.
- Do not use 3-point quick attaching coupler to mount backhoe on tractor.
- Minimum of 20% of tractor and equipment weight must be on the tractor front wheels with the backhoe in the transport position.
- Operate PTO at 540 RPM (if so equipped).
- Backhoe digging forces can lift and turn tractor over. Make sure stabilizer pads are on firm ground and avoid steep banks.
- Do not exceed ROPS certification weight.
- Consult local utilities before digging. Know location of and avoid contacting all underground cables, pipelines, overhead wires and other hazards in digging area. #40411



PART #40411
WARNING!