

Light Duty Pallet Forks & Frame

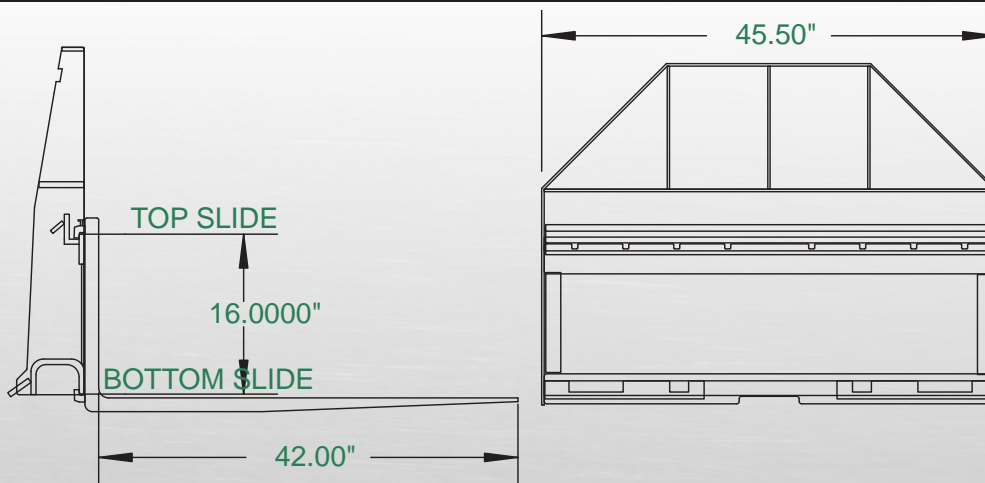


Anyone that owns a skid steer should have a set of forks on hand. Forks are ideal for lifting pallets, loading lumber or just about anything else. Our forks are 1-1/4 inches thick, 4 inches wide and 42 inches long. They are completely heat treated and rated to carry 2,800 lbs. We put a step on both sides of our frames so the operator can easily climb into the cab. Euro Style and John Deere mounts are available.

- Heat treated American made forks
- Rated to carry 2,800 lbs.
- Steps on both sides of frame
- Euro style and John Deere mounts are available

Note: We only use American made forks.

Light Duty Pallet Forks & Frame Specs



Heavy Duty Pallet Forks & Frame

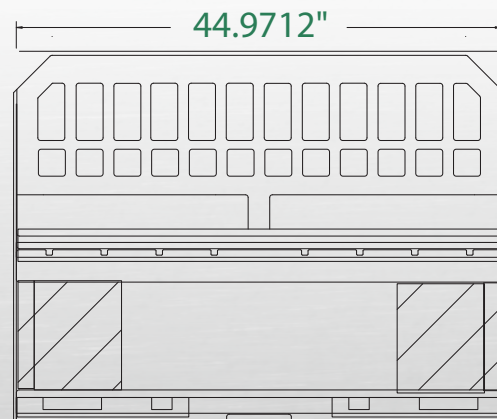
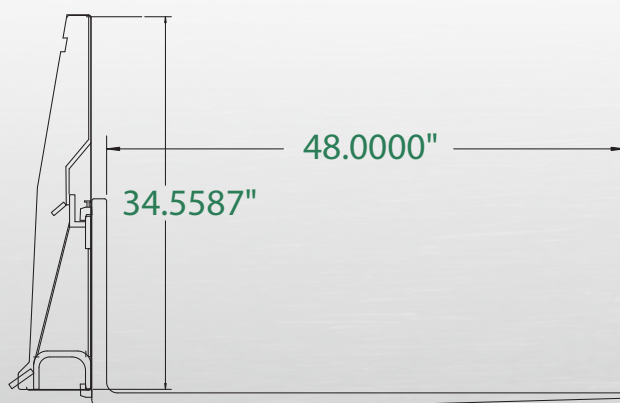


Anyone that owns a skid steer should have a set of forks on hand. Forks are ideal for lifting pallets, loading lumber or just about anything else. Our forks are 1-3/8 inches thick, 4 inches wide and 48 inches long. They are completely heat treated and rated to carry 4,000 lbs. We put a step on both sides of our frames so the operator can easily climb into the cab. Euro Style and John Deere mounts are available.

- Heat treated American made forks
- Rated to carry 4,000 lbs.
- Steps on both sides of frame
- Euro style and John Deere mounts are available

Note: We only use American made forks.

Heavy Duty Pallet Forks & Frame Specs



Heavy Duty Walk Through Pallet Forks & Frame

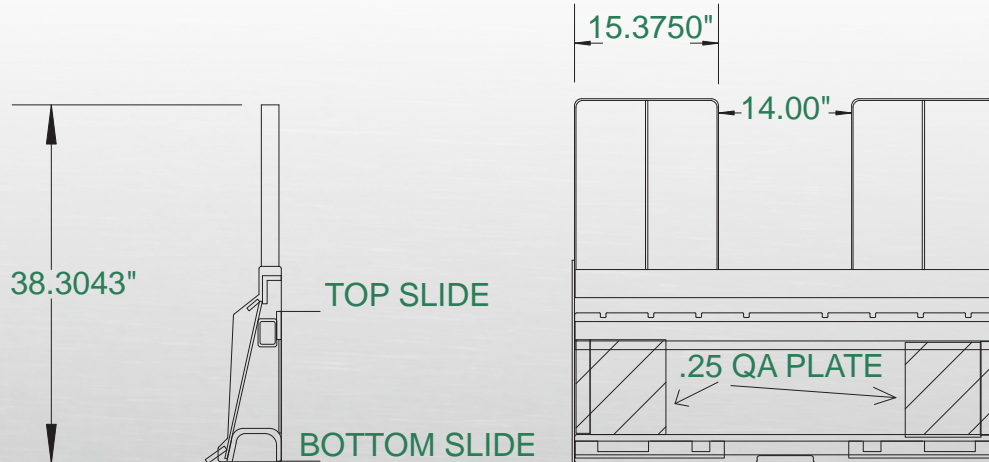


If you own a skid steer, you should have a set of forks on hand. Our walk through frame is exactly what it says. Instead of having to climb around or over the fork back frame, simply walk through it. This added convenience will make jobs go faster and easier whether you are lifting pallets, loading lumber or just about anything else. Our forks are 1-3/8 inches thick, 4 inches wide, completely heat treated, 48 inches long and rated to carry 4,000 lbs.

Note: We only use American made forks.

- Walk through design makes jobs go faster and easier
- 1-3/8 inches thick, 4 inches wide, completely heat treated
- 48 inches long and rated to carry 4,000 lbs.

X-treme Walk Through Pallet Forks & Frame Specs





Anyone that owns a skid steer should have a set of forks on hand. Forks are ideal for lifting pallets, loading lumber or just about anything else. Our forks are 1-3/4 inches thick, 5 inches wide and 48 inches long. They are completely heat treated and rated to carry 6,500 lbs. We put a step on both sides of our frames so the operator can easily climb into the cab. Euro Style and John Deere mounts are available.

- Heat treated American made forks
- Rated to carry 6,500 lbs.
- Steps on both sides of frame
- Euro style and John Deere mounts are available
- Available sizes: 48", 60", 72"

Note: We only use American made forks.

X-treme Pallet Forks & Frame Specs

