

Root Grapples

Our root grapples are a necessity in the tree industry, and for contractors clearing lots for home site building. They are ideal for moving logs, brush, rocks or just about any type of debris, which makes them essential tools for storm damage clean up.

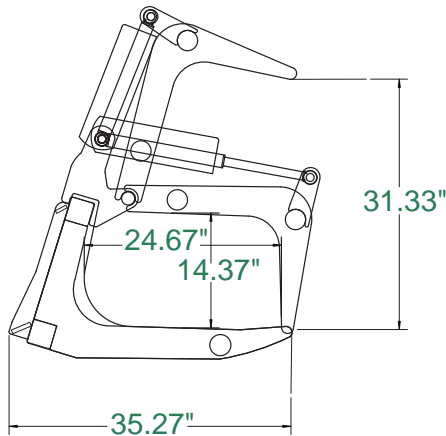
All of our units are built from top quality steel and will exceed the lifting capacity of the skid steer machines they are used on. Our grapples feature independently operated 2" bore by 10" stroke cylinder(s) to adjust for uneven loads.

They also feature grease fittings at every pivot point.

One feature that separates our Standard and Heavy Duty Root Grapples from our competitor's attachments is that we offer optional bolt on cylinder rod covers to protect the hydraulic cylinder shafts. Most root grapples only have the actual cylinder enclosed and not the shaft. We give you the option to protect both. Anyone that has had debris fall on the cylinder shaft knows what damage this can cause.

Light Duty Root Grapple

Our Light Duty Root Grapple is perfect for the compact tractor. These grapples are built strong yet very light weight.

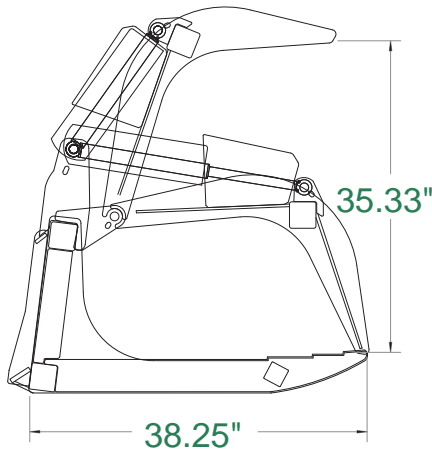


- Designed for compact tractors
- 2" bore by 10" stroke cylinder
- Available sizes: 60", 66", 72"



Standard Duty Root Grapple

Our Standard Duty Grapple is built from 3/8" thick steel plate on the top and bottom, and incorporates 3" square tubing.



OPENING: 2 feet 11.33 inches
DEPTH: 3 feet 2.25 inches

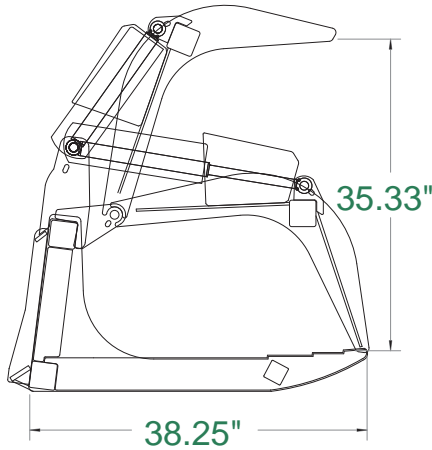
- Recommended machine size: 45 HP and under
- 2" bore by 10" stroke cylinders
- Hydraulic lines routed inside the tubing to prevent tears
- Optional spacer tines
- Available sizes: 63", 66", 72"



Root Grapples

Heavy Duty Root Grapple

Our heavy Duty Grapple is built from 1/2" thick steel plate on the top and bottom, and incorporates 3" square tubing.



OPENING: 2 feet 11.33 inches
DEPTH: 3 feet 2.25 inches

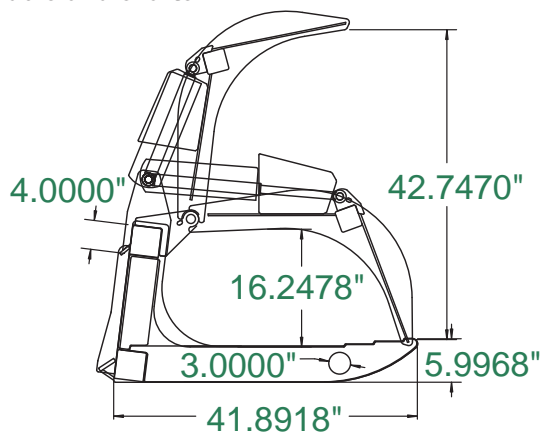
- Recommended machine size: 40 - 65 HP
- 2" bore by 10" stroke cylinders
- Hydraulic lines routed inside the tubing to prevent tears
- Optional spacer tines
- Available sizes: 63", 66", 72", 78", 81"



Picture shown with optional spacer tines and optional bolt on cylinder rod cover kit.

X-treme Root Grapple

The X-treme Root Grapple is the grapple of choice for those who need an attachment that will hold up in severe applications. It can handle more material and is more rugged than our other grapples. It's built from 5/8" thick steel plate on the top, 1/2" on bottom, and incorporates 4" square tubing. It also features enclosed hydraulic cylinders and shafts.



OPENING: 3 feet 6.75 inches
DEPTH: 3 feet 5 inches

- Recommended machine size: 65 HP and above
- 2" bore by 10" stroke cylinders
- Hydraulic lines routed inside the tubing to prevent tears
- Optional spacer tines
- Available sizes: 63", 66", 72", 78", 81", 84"

