

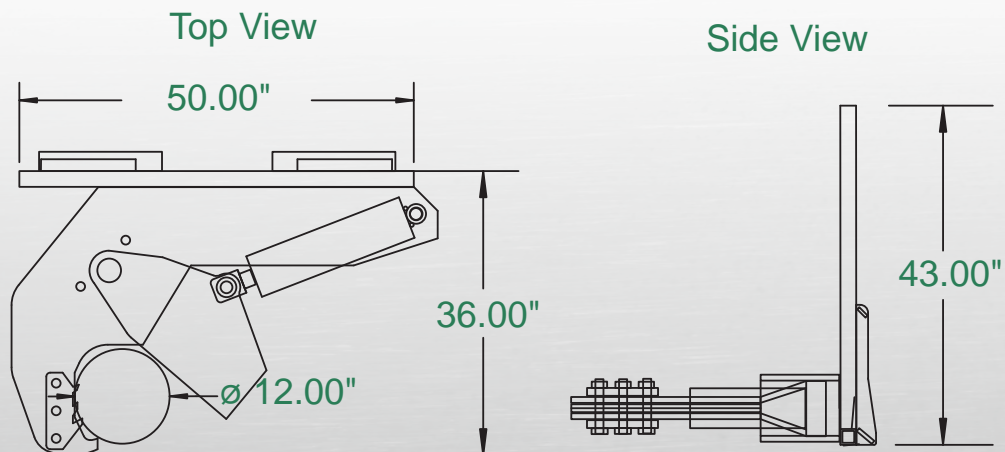
X-treme Tree Shear

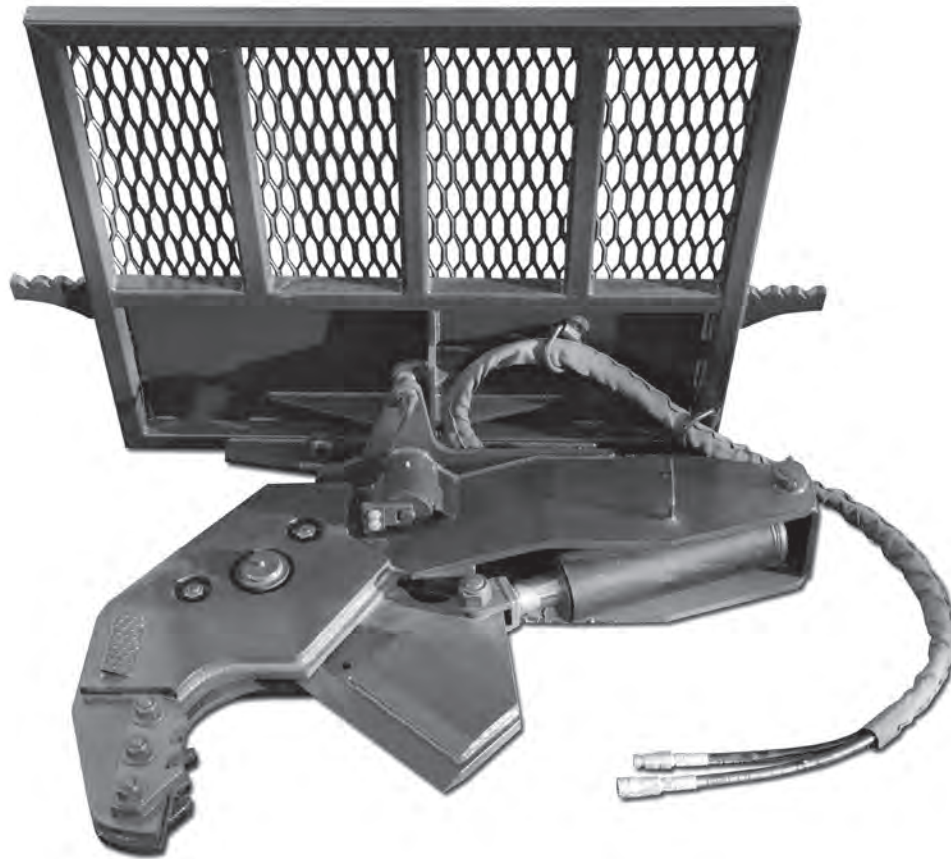


Our X-treme Tree Shear has a 5" bore cylinder that can generate up to 30 tons of shearing force. It is constructed with a 1" thick AR400 blade, which gives you the ability to cut up to 12" diameter trees and logs. It's design forces trees to fall consistently to the right, allowing the operator to accurately position where the tree will land.

- 1" thick AR400 blade
- 30 tons of shearing force
- Capable of cutting 12" trees
- Powered by a 5" x 12" cylinder

X-treme Tree Shear Specs





Our X-treme Rotating Tree Shear has a 5" bore cylinder that can generate up to 30 tons of shearing force. It is constructed with a 1" thick AR400 blade, which gives you the ability to cut up to 12" diameter trees and logs. It features a 90 degree rotation that is offered in manual or hydraulic. (Note: manual is a two man operation.) It's design forces trees to fall consistently to the right, allowing the operator to accurately position where the tree will land.

- 1" thick AR400 blade
- 30 tons of shearing force
- Capable of cutting 12" trees
- Hydraulic tree shear powered by a 5" x 12" cylinder
- 90 degree rotation offered in manual or hydraulic

X-treme Rotating Tree Shear Specs

