

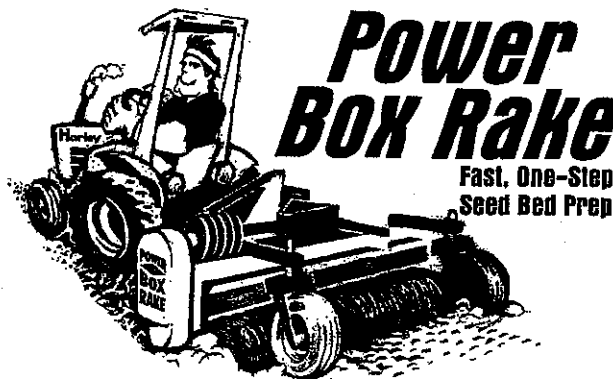
# Harley

## Model T-6

### D ~ Series Rakes

#### Serial Numbers

#### T69D001 - T60D300



*Parts requirements are subject to change without notice and parts may be substituted by Glenmac, Inc.*

*Please refer to the latest parts price book for current parts pricing, or call (800) 437-9779, Fax (701) 251-9259, E-mail [customer\\_service@glenmac.com](mailto:customer_service@glenmac.com)*

# DECALS

**! DANGER**



**ROTATING DRIVELINE  
CONTACT CAN CAUSE DEATH  
KEEP AWAY!**

**DO NOT OPERATE WITHOUT -**

- ALL DRIVELINE GUARDS, TRACTOR AND EQUIPMENT SHIELDS IN PLACE
- DRIVELINES SECURELY ATTACHED AT BOTH ENDS
- DRIVELINE GUARDS THAT TURN FREELY ON DRIVELINE

#1 - PN: P970400

**! WARNING**

DO NOT ALLOW ANYONE TO OPERATE POWER RAKE WHO HAS **NOT** BEEN PROPERLY TRAINED IN ITS SAFE OPERATION AND HAS **NOT** READ AND UNDERSTOOD THE OPERATOR'S MANUAL.

BEFORE ATTACHING, CHECK TRACTOR'S 3PT. LIFT CAPACITY TO ENSURE ITS ABILITY TO SAFELY HANDLE THE WEIGHT.

MAX. PTO SPEED IS 540 RPM'S.

DO NOT OPERATE WITHOUT GUARDS/SHIELDS IN PLACE AND IN GOOD WORKING ORDER.

STOP ALL MOVING PARTS INCLUDING TRACTOR ENGINE BEFORE CLEANING, UNPLUGGING, ADJUSTING, AND/OR PERFORMING MAINTENANCE.

KEEP BYSTANDERS 10 FEET FROM POWER RAKE WHEN IN OPERATION.

FAILURE TO FOLLOW THE ABOVE SAFETY SUGGESTIONS AND THOSE IN THE OPERATOR'S MANUAL CAN RESULT IN SERIOUS INJURY OR DEATH.

#4 - PN: P970100

**! DANGER**



**ROTATING PART HAZARD**

- KEEP HANDS, HAIR AND CLOTHING AWAY FROM MOVING PARTS.
- CLOSE AND SECURE ALL SHIELDS BEFORE OPERATING.

FAILURE TO DO SO COULD RESULT IN SERIOUS INJURY OR DEATH

#2 - PN: P970300

**! DANGER**



**ROTATING PART HAZARD**

- KEEP HANDS, HAIR AND CLOTHING AWAY FROM MOVING PARTS.
- CLOSE AND SECURE ALL SHIELDS BEFORE OPERATING.

FAILURE TO DO SO COULD RESULT IN SERIOUS INJURY OR DEATH

P970301

#3 - PN: P970301

**! DANGER**

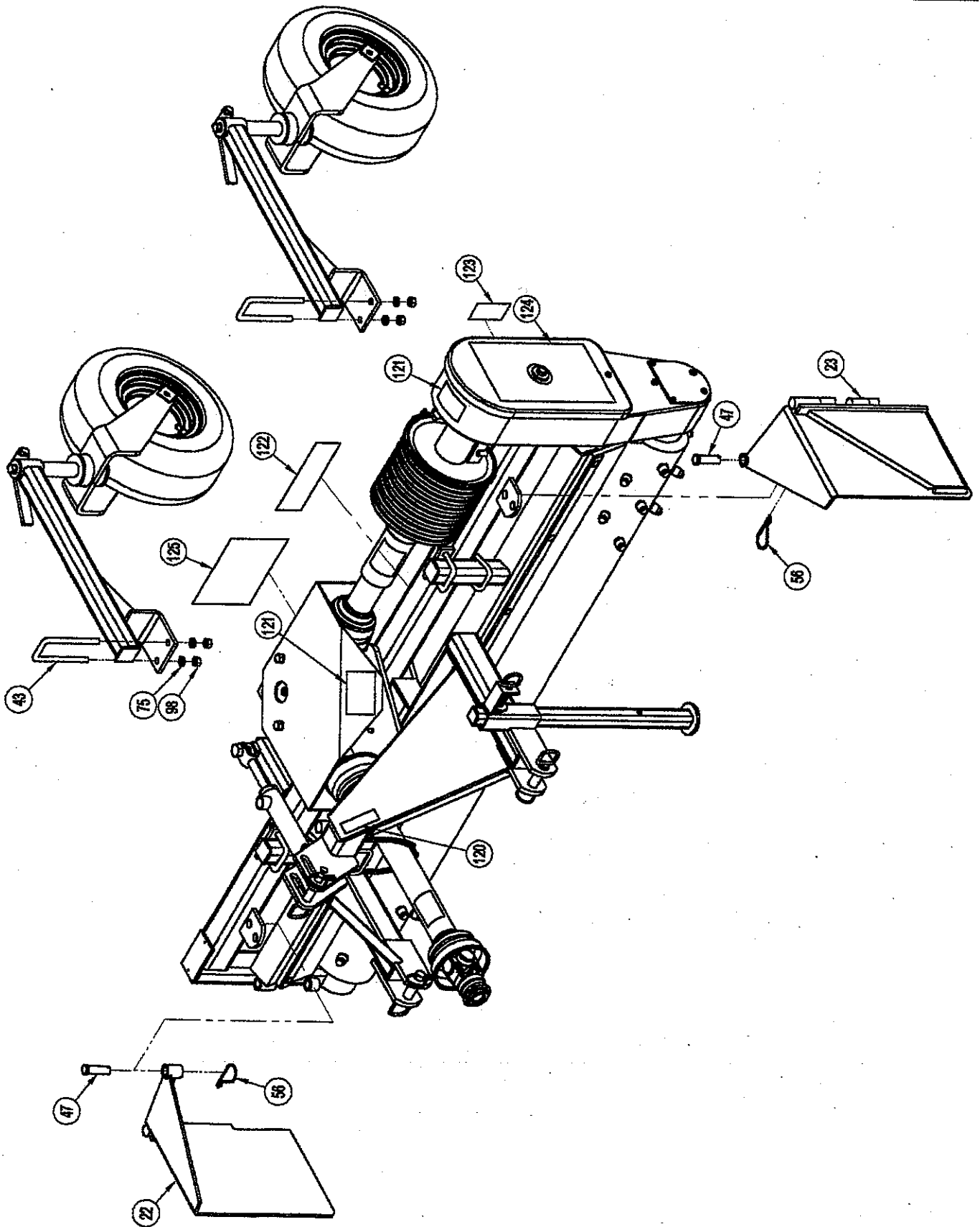


- Stay at least 9 feet (3m) away from operating equipment.
- Flying objects and rotating parts can cause injury or death.
- Stop engine before cleaning or servicing.
- Keep all guards in place.

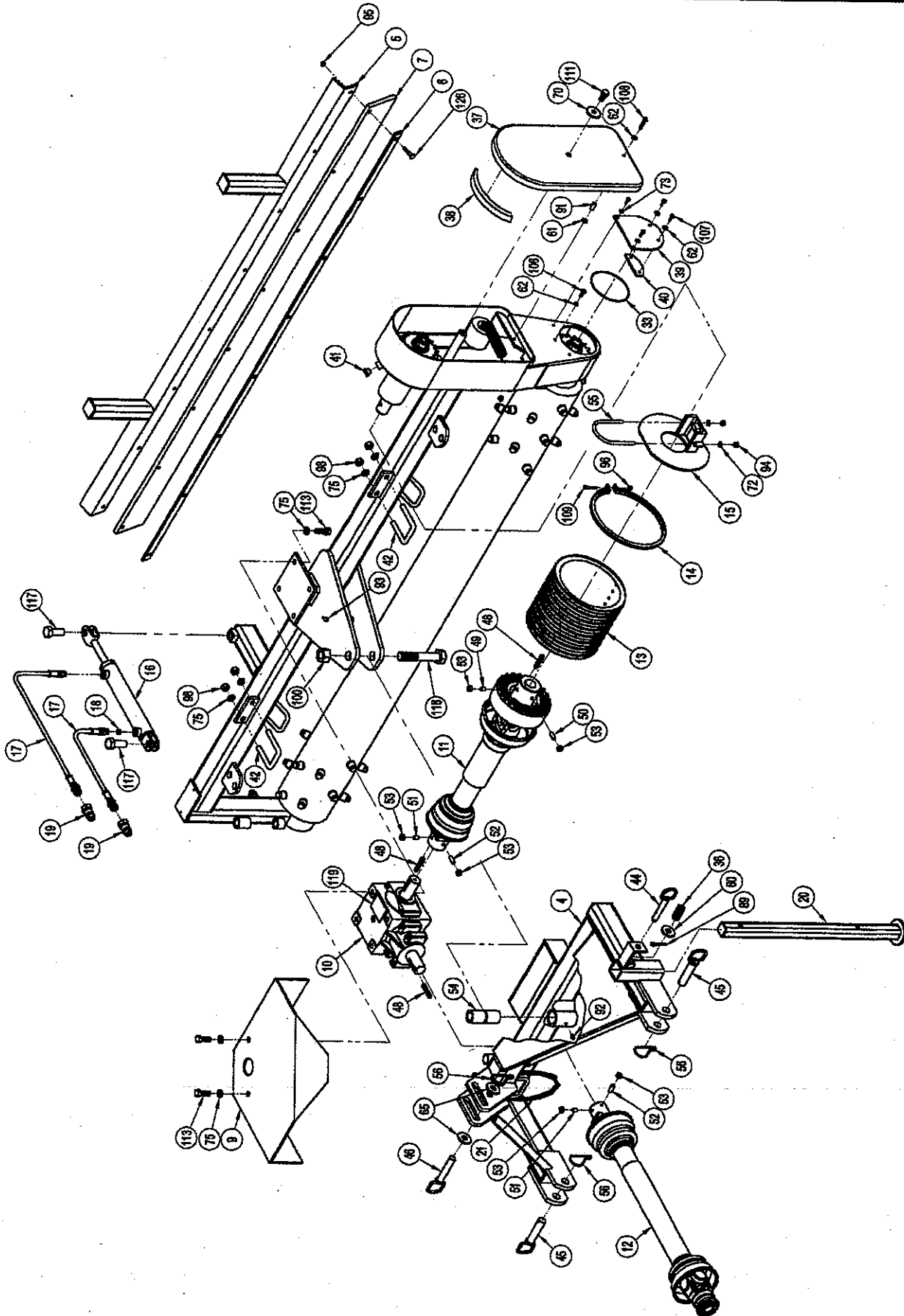
P970250

#5 - PN: P970250

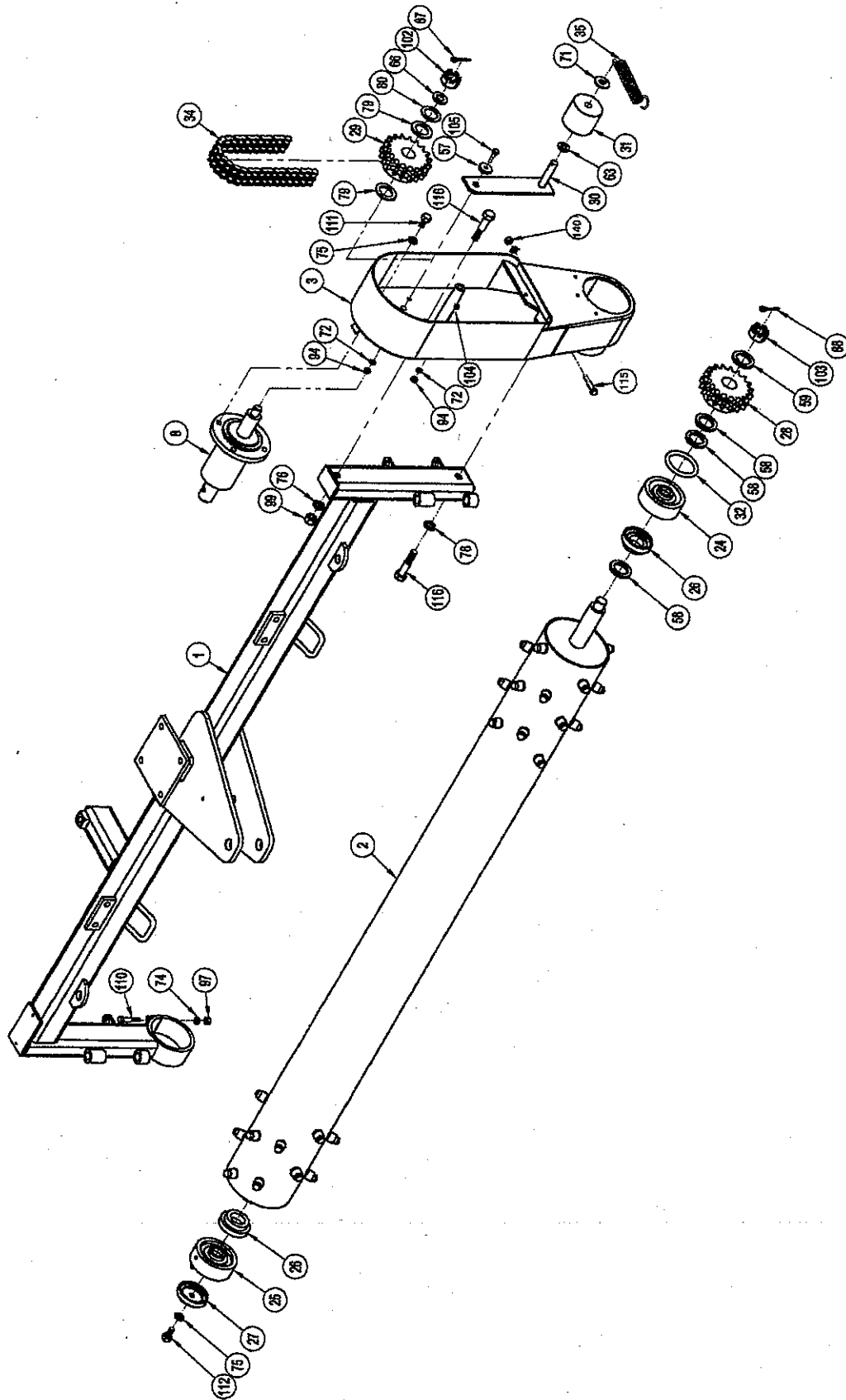
# GENERAL ASSEMBLY



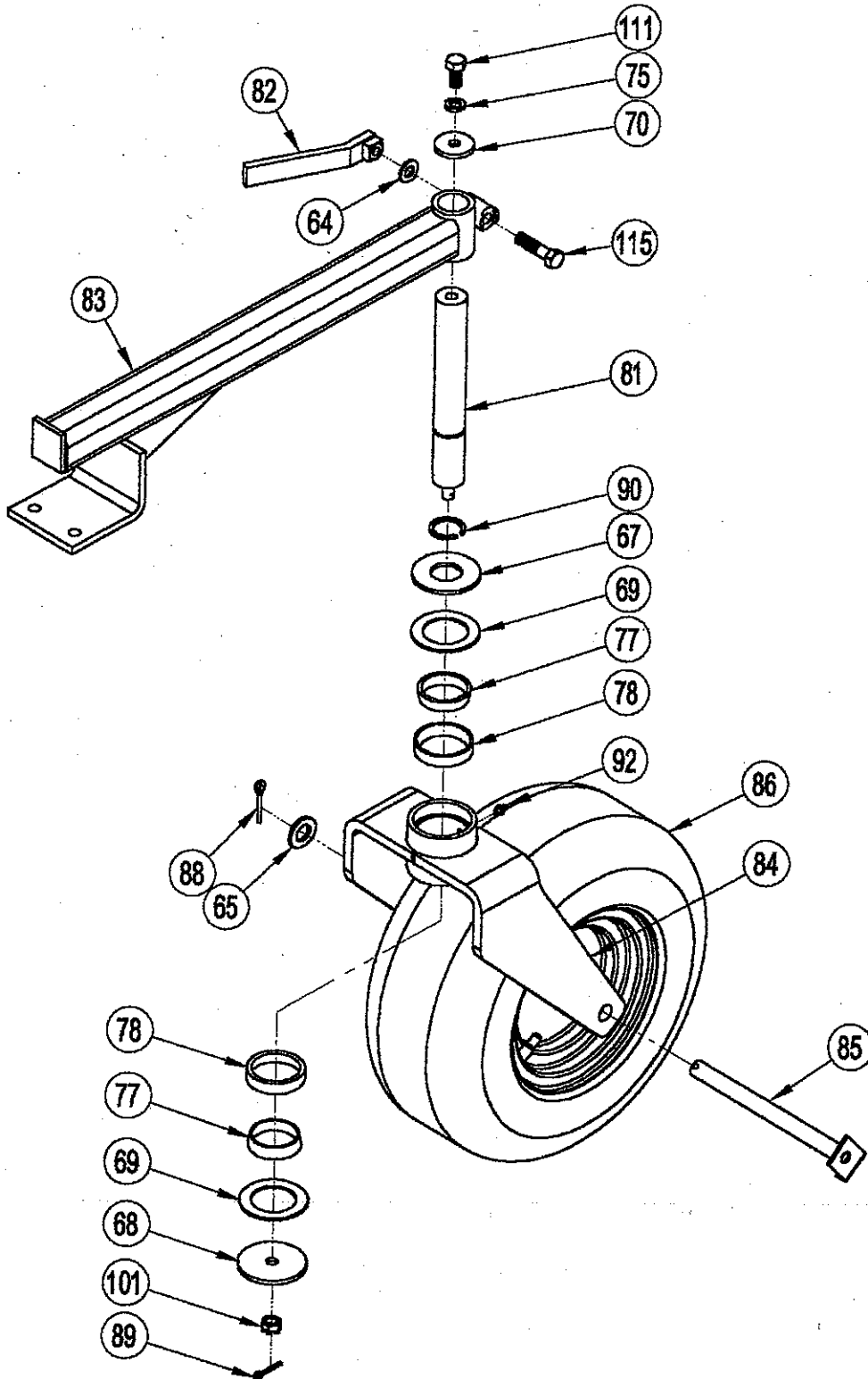
# FRAME ASSEMBLY



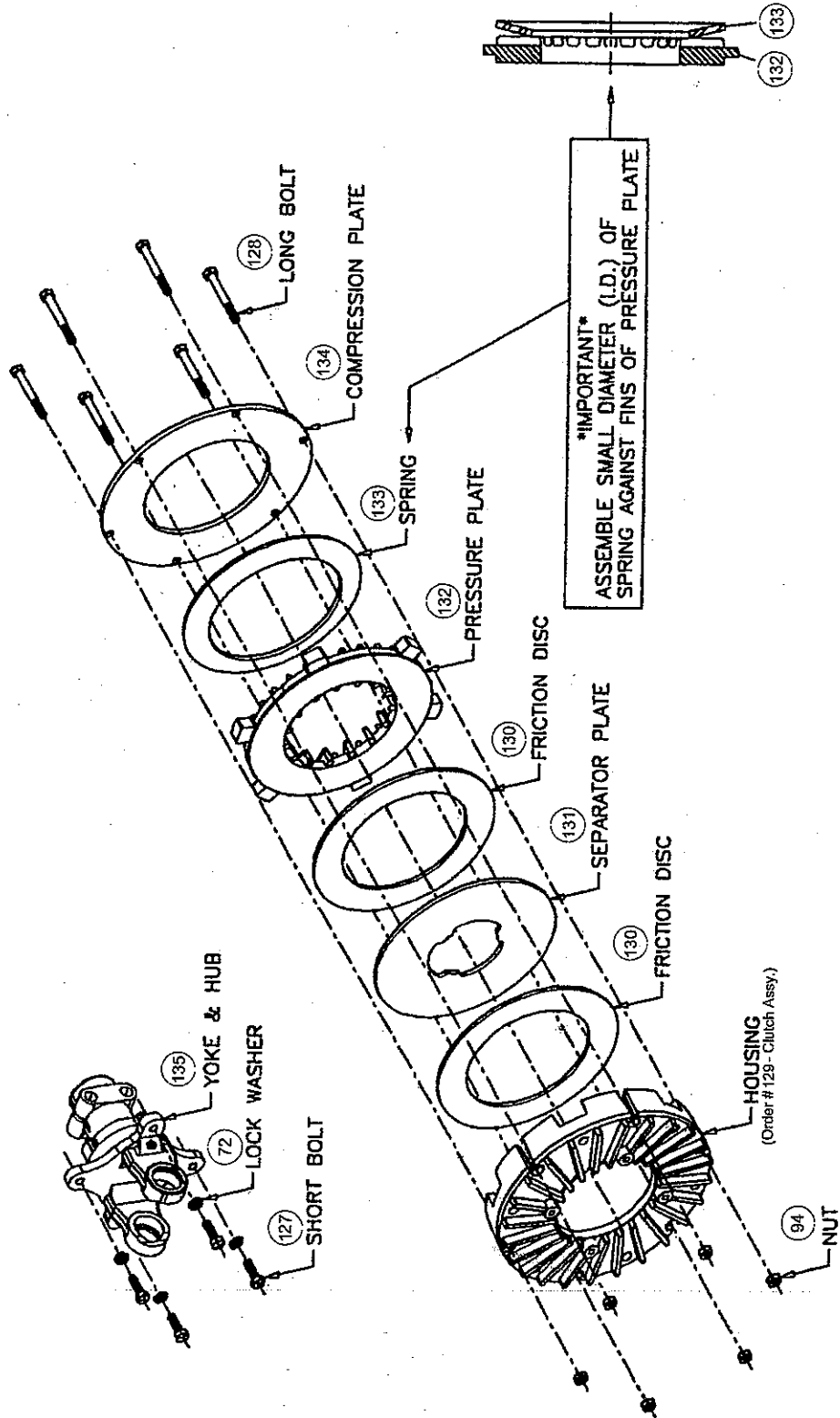
# ROLLER ASSEMBLY



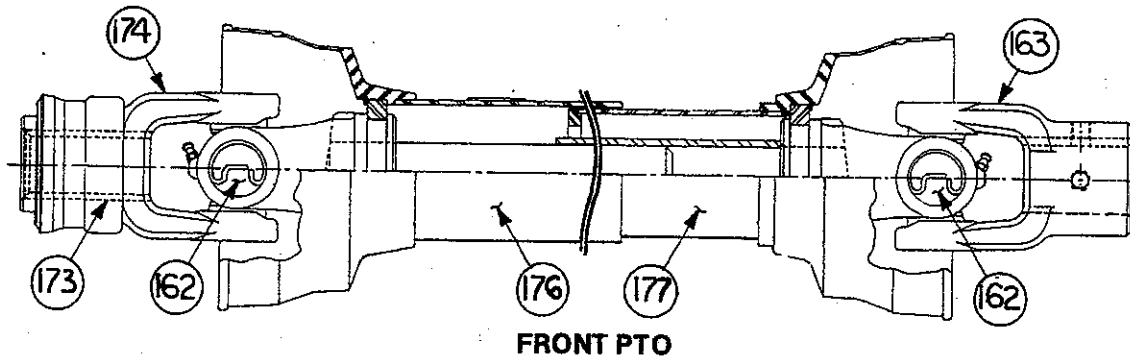
# GAUGE WHEEL ASSEMBLY



# CLUTCH ASSEMBLY



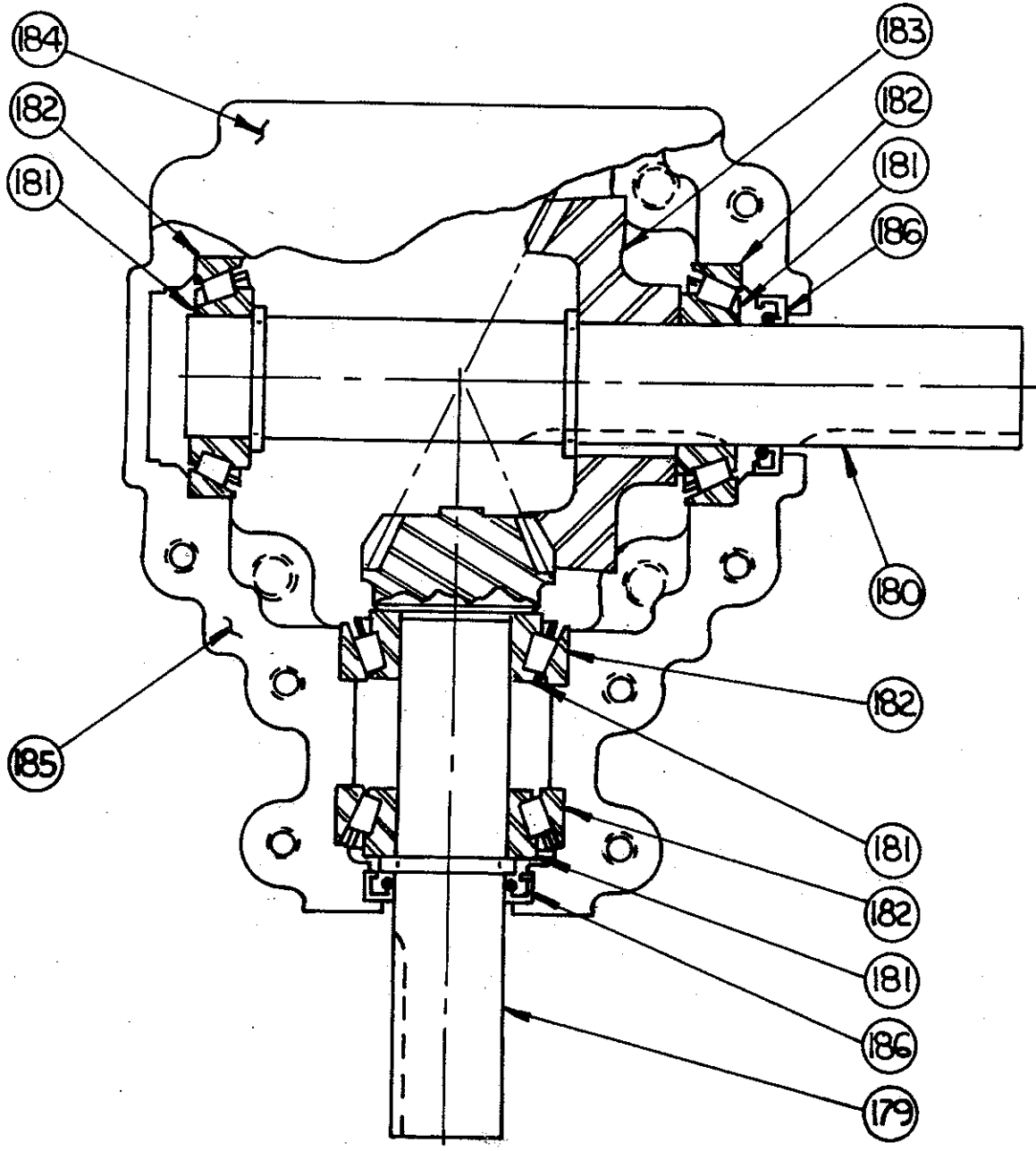
# PTO ASSEMBLY



FRONT PTO



# GEAR BOX ASSEMBLY



# PARTS LIST

ITEM	QTY	PART NO.	DESCRIPTION	ITEM	QTY	PART NO.	DESCRIPTION
1	1	M6502	MAIN FRAME	65	4	P850812	3/4" SAE WASHER
2	1	M6503	CARBIDE TOOTH ROLLER	66	1	P850609	3/4" FLAT WASHER
3	1	M6497	CHAIN CASE	67	2	P850620	1-1/4" FLAT WASHER
4	1	M6487	MAST FRAME	68	2	M6223	WASHER
5	1	M6498	BARRIER MOUNT	69	4	P852200	FELT WASHER
6	1	M6428	BARRIER STRAP	70	3	M5009-5	1/2" X 1-3/4" X 3/16" THK WASHER
7	1	M6427	BARRIER	71	1	M6756	PINNED WASHER
8	1	M8814	BEARING HOUSING ASSEMBLY	72	8	P851105	5/16" LOCK WASHER
9	1	M6224	GEAR BOX SHIELD	73	2	P851104	1/4" LOCK WASHER
10	1	P205400	GEAR BOX 2:1	74	2	P851106	3/8" LOCK WASHER
11	1	P400750-1 & P400750-2	PTO W/CLUTCH	75	21	P851108	1/2" LOCK WASHER
12	1	P400100-1 & P400100-2	FRONT PTO	76	2	P851110	5/8" LOCK WASHER
13	1	M6262	SHIELD	77	4	P760300	BEARING CONE
14	1	P128605	BAND CLAMP	78	4	P760500	BEARING CUP
15	1	M6258	SHIELD MOUNT	79	2	P855122	10GA X 1-3/8" MACHINE BUSHING
16	1	P256000	1-1/2" HYDRAULIC CYLINDER	80	1	P855322	14GA X 1-3/8" MACHINE BUSHING
17	2	P246472	1/4" HOSE X 72.00 8MP X 6MB	81	2	M6701	CASTER SHAFT
18	1	P270400	RESTRICTOR PLUG	82	2	M6415	HANDLE
19	2	P272600	QUICK COUPLER	83	2	M6501	CASTER SUPPORT
20	1	M6455	JACK STAND	84	2	M6211-A	CASTER FORK
21	1	M6266	PTO SUPPORT CHAIN	85	2	M6215	AXLE
22	1	M6624	RIGHT END PLATE	86	2	P756100	WHEEL & TIRE
23	1	M6625	LEFT END PLATE	87	1	P116256	5/32" X 1-1/2" COTTER PIN
24	1	M6687	BEARING ASSEMBLY	88	3	P116306	3/16" X 1-1/2" COTTER PIN
25	1	M6688	BEARING ASSEMBLY	89	3	P116204	1/8" X 1" COTTER PIN
		P015210	BEARING HOUSING	90	3	P952200	1-3/8" SNAP RING
		P010400	1-1/2" BEARING INSERT	91	1	P481010	BUSHING SPACER
26	2	P015308	1-1/2" NON LOCKING COLLAR	92	3	P620200	1/4-28 STR GREASE FITTING
27	1	P015307	1-1/2" BEARING CAP	93	2	P620000	1/4-28 45° GREASE FITTING
28	1	P661802	SPROCKET 18 TOOTH 1-1/2"	94	10	P150500	5/16" HEX NUT
29	1	P661800	SPROCKET 18 TOOTH 1-3/8"	95	8	P155350	5/16" LOCK NUT
30	1	M6491	CHAIN TENSION ARM	96	1	P158003	1/4" LOCK NUT
31	1	M8812	TENSION IDLER	97	2	P150600	3/8" HEX NUT
32	1	P500203	3/8" X 2-5/8" O-RING	98	8	P150800	1/2" HEX NUT
33	1	P500202	3/32" X 4-3/4" O-RING	99	1	P151000	5/8" HEX NUT
34	1	M6509	#60 CHAIN 78P W/CONN	100	1	P156401	1" LOCK NUT
35	1	P604700	EXTENSION SPRING	101	2	P158006	1/2"-13 SLOTTED HEX NUT
36	1	P604500	COMPRESSION SPRING	102	1	P158000	3/4"-16 SLOTTED HEX NUT
37	1	M8624	COVER	103	1	P156402	1"-14 SLOTTED HEX NUT
38	1	M8626	SEAL	104	1	P100503	5/16" X 3/4" HEX BOLT
39	1	M8241	LOWER COVER	105	1	P100505	5/16" X 1-1/4" HEX BOLT
40	1	M8272	COVER TAB	106	1	P100402	1/4" X 1/2" HEX BOLT
41	1	P278001	VENT PLUG	107	4	P110901	1/4" X 3/4" BUTTON HEAD SCREW
42	2	P128213	1/2" X 2-3/4" U-BOLT	108	1	P100406	1/4" X 1-1/2" HEX BOLT
43	2	P128324	1/2" X 2" X 6" U-BOLT	109	1	P115406	1/4" X 1-1/2" FILLISTER HEAD SCREW
44	1	M8263	5/8" PIN	110	1	P100608	3/8" X 2" HEX BOLT
45	2	M8073	7/8" PIN	111	7	P100804	1/2" X 1" HEX BOLT
46	1	M5003	3/4" PIN	112	1	P102805	1/2" X 1-1/4" FINE THD HEX BOLT
47	2	P120600	GATE PIN	113	6	P100806	1/2" X 1-1/2" HEX BOLT
48	3	M5000-5	5/16" X 2" SQ KEY	114	1	M6301	SLEEVE
49	1	P108612	3/8" X 3/4" SET SCREW	115	3	P102808	1/2" X 2" FINE THD HEX BOLT
50	1	P108620	3/8" X 1-1/4" SET SCREW	116	2	P101014	5/8" X 3-1/2" HEX BOLT
51	2	P108610	3/8" X 5/8" SET SCREW	117	2	P103208	3/4" X 2" HEX BOLT
52	2	P108616	3/8" X 1" SET SCREW	118	1	P101622	1" X 5-1/2" FINE THD HEX BOLT
53	6	P155400	3/8" HEX JAM NUT	119	1	P970301	DECAL WARNING
54	1	M6637	PIVOT BUSHING	120	1	P970100	DECAL WARNING
55	1	P128500	5/16" U-BOLT	121	2	P970300	DECAL WARNING
56	5	P622600	HAIR PIN CLIP	122	1	P975800	DECAL HARLEY
57	1	M6630	PIVOT BUSHING	123	1	P970003	DECAL LUBE
58	3	M6757	SPACER	124	1	P975916	DECAL T-6 POWER BOX RAKE
59	1	M5464	WASHER 1" X 2-1/4"	125	1	P970250	DECAL DANGER ROLLER
60	1	P852001	16MM WASHER	126	8	P104506	5/16" X 1-1/2" CARRIAGE BOLT
61	1	P500302	1/4" RUBBER FACE WASHER	127	4	P400760	5/16" X 1" HEX BOLT GR 8
62	4	P500300	1/4" O-RING WASHER	128	6	P400761	5/16" X 2-1/2" HEX BOLT GR 8
63	1	P850612	9/16" FLAT WASHER	129	1	P400751	CLUTCH ASSEMBLY W/OUT HUB
64	2	P852608	1/2" HARD WASHER	130	2	P400755	FRICITION DISC
				131	1	P400752	SEPARATOR DISC

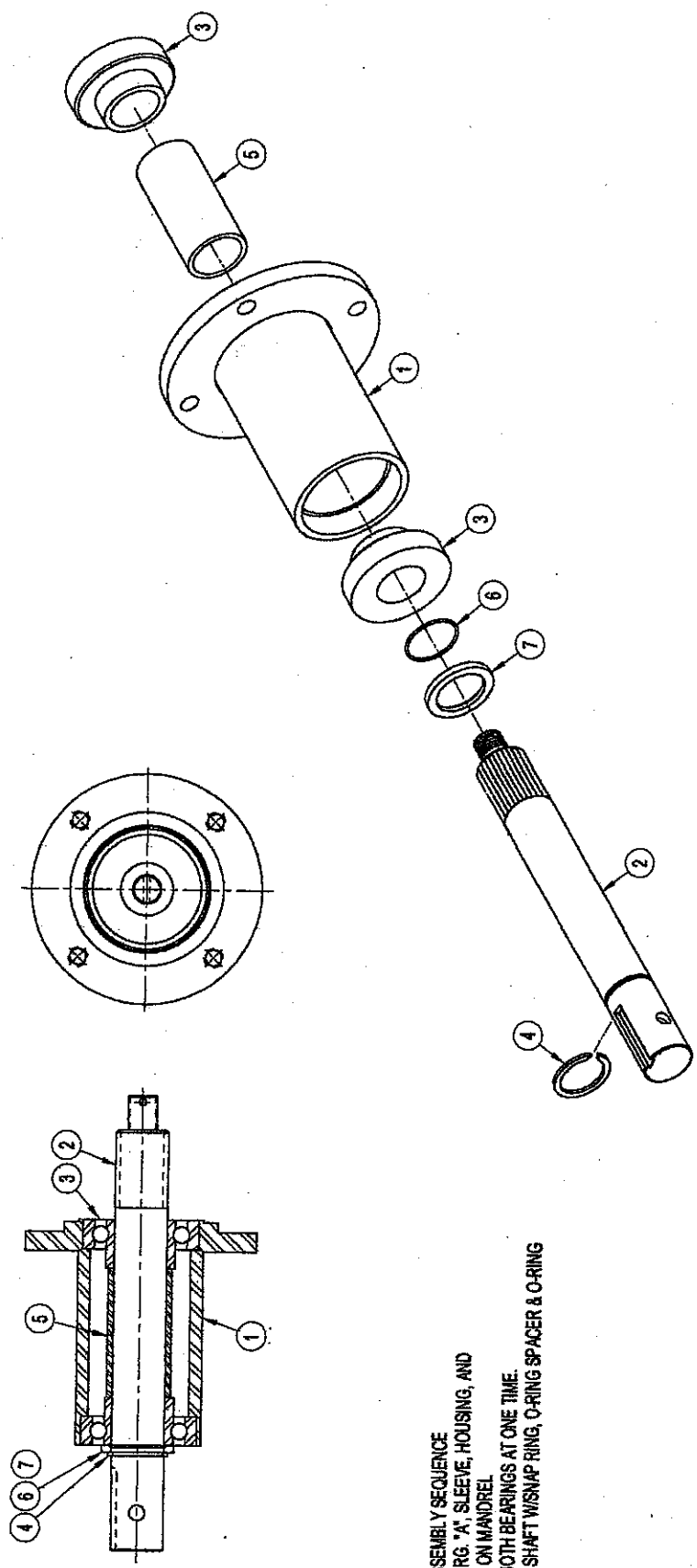
# PARTS LIST

ITEM	QTY	PART NO.	DESCRIPTION
132	1	P400753	PRESSURE PLATE
133	1	P400756	SPRING 12,000
134	1	P400754	COMPRESSION PLATE
135	1	P400758	YOKE & HUB
136	1	P400759	CLUTCH ASSEMBLY W/HUB
137	2	P009204	1-3/8" BALL BEARING
138	1	P635005	DRIVE SHAFT
139	1	M8815	BEARING HOUSING
140	1	P155852	1/2"-20 LOCK NUT
162	4	P400002	14R REPAIR KIT
163	2	P400036	1-3/8" ROUND END YOKE
173	1	P400031	LOCK YOKE REPAIR KIT
174	1	P4000803	LOCK YOKE ASSEMBLY
176	1	P400101	OUTER GUARD
177	1	P400803	LOCK YOKE ASSEMBLY
179	1	P205408	GEARED PINION SHAFT
180	1	P205413	CROSS SHAFT
181	4	P205403	TAPERED BEARING CONE
182	4	P205410	TAPERED BEARING CUP
183	1	P205401	GEAR (2:1 RATIO 30 TOOTH)
184	1	P205409	CASTING TOP HALF
185	1	P205402	CASTING BOTTOM HALF
186	2	P205404	SEALS (1-3/8" SHAFT O.D.)

*P400705 yoke shaft for ~~14R~~ Side  
Clutch Side*

178814

PART NO M8814



NOTES: ASSEMBLY SEQUENCE  
 1. PLACE BRG. "A", SLEEVE, HOUSING, AND BRG. "B" ON MANDREL  
 2. PRESS BOTH BEARINGS AT ONE TIME.  
 3. INSTALL SHAFT W/ SNAP RING, O-RING SPACER & O-RING

MAR 0 4 2002

ITEM	QTY	PART NO	DESCRIPTION
7	1	M6503	1.38 O-RING SPACER
6	1	P00138	O-RING .062 X 1.38ID
5	1	M6301	SLEEVE
4	1	P00200	1.38 SNAP RING
3	2	P00004	BALL BEARING INSERT
2	1	P00005	DRIVE SHAFT
1	1	M8815	BEARING HOUSING
EM			

**Glenmac**  
 P.O. BOX 2135  
 JAMESTOWN, ND 58402

DATE: 2-25-02  
 SCALE: 1:3

UNLESS OTHERWISE SPECIFIED  
 TOLERANCES ON:  
 DECIMALS: .XX ±  
 FRACTIONS: ±  
 ANGLES: ±

REV: A  
 ECO: 0186  
 REVISION: ADDED ITEMS #6 & #7, REDRAWN

DATE: 2-25-02  
 BY: LM

TITLE: BEARING HOUSING ASSEMBLY  
 PART NO: M8814