

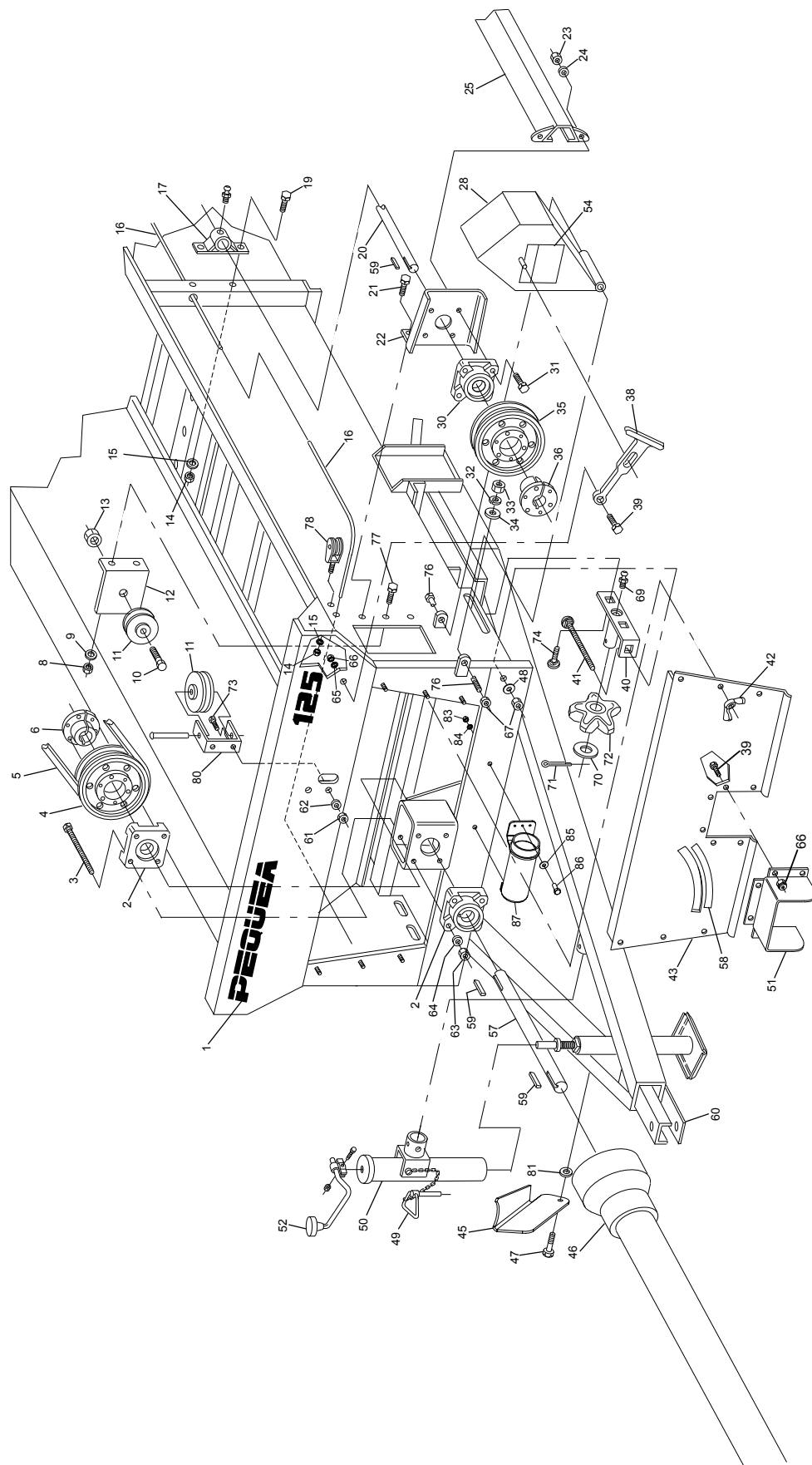


125P Manure Spreader

Illustrated Parts Breakdown

Page 1	Front End
Page 3	PTO/Jack/Hitch Assembly
Page 4	Front Pulley Assembly
Page 5	Driveshaft/Side Pulley Assembly
Page 6	Idler Pulley Assembly
Page 7	Widespread Assembly
Page 8	Web Assembly
Page 9	Idler Pulley Assembly
Page 10	Complete Rear End
Page 12	Endgate Assembly
Page 13	Shifter
Page 14	Floor
Page 15	Top Beater S/N -91669
Page 16	Top Beater S/N 91669+
Page 17	PTO Shaft
Page 18	Fine Spread Pan
Page 19	Gearbox Assembly

125P Front End

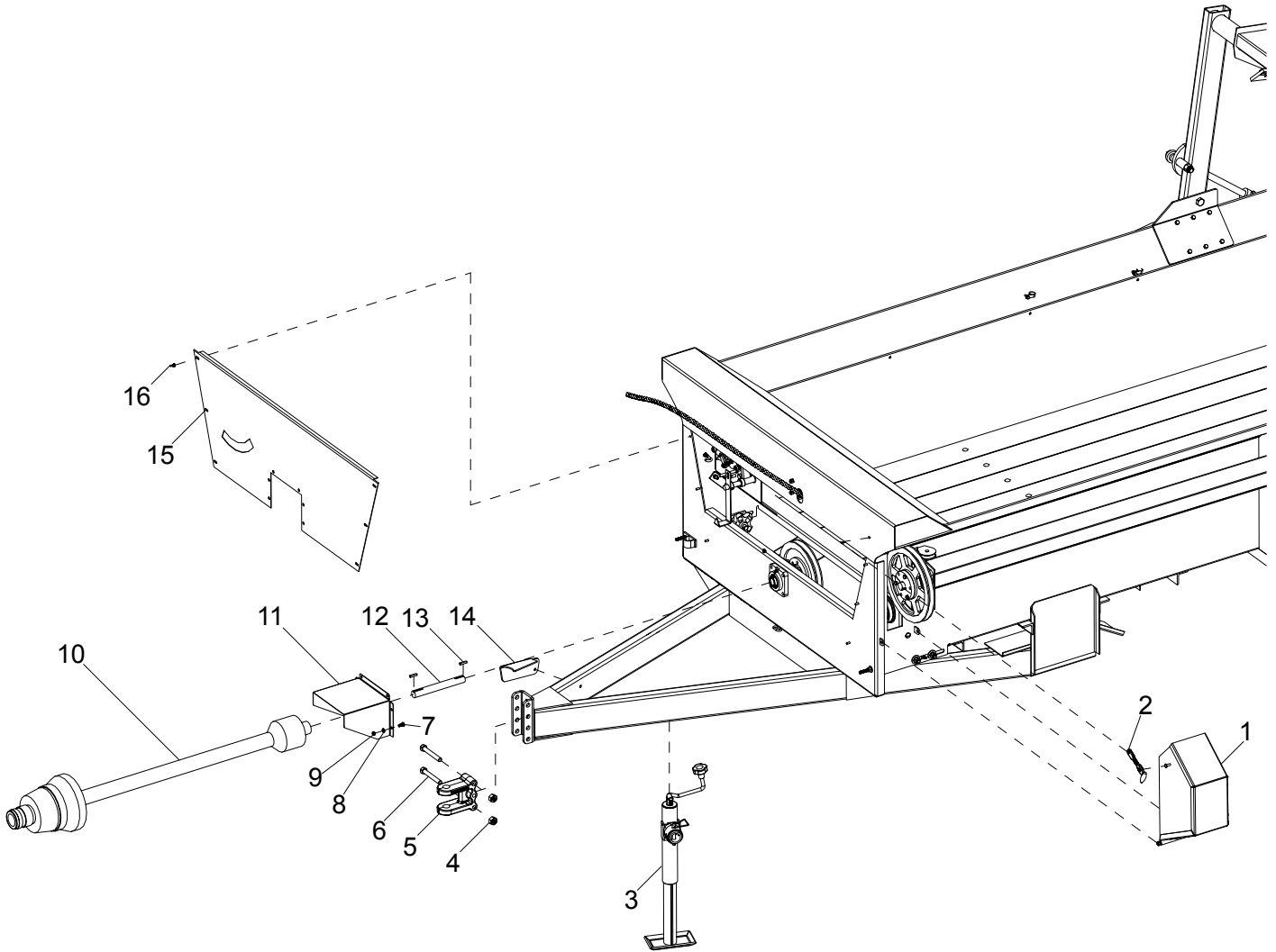


125P Front End

Ref#	Description	Part#
1	Decal Kit, 125P	400845
2	4-Hole Flange Bearing	400104
3	Bolt, 7/16 x 3-1/2	000361
4	Front Pulley	400800
5	Belt, CX-83	400799
6	Pulley Hub	400801
8	Nut, 1/2	000940
9	Lock Washer, 1/2	000840
10	Bolt, 5/8 x 3	000620
11	Idler Pulley	400103
12	Mounting Bracket, Idler Pulley	400067
13	Locknut, 5/8	000972
14	Nut, 3/8	000915
15	Lock Washer, 3/8	000820
16	Shifter Cable, 162" Overall	400804
17	Bearing, Drive Shaft	400706
*	Pillow Block Bearing	401690
19	Bolt, 3/8 x 1	000270
20	Drive Shaft	400788
21	Bolt, 1/2 x 1	000405
22	Mounting Bracket, Side Pulley	400785
23	Nut, 1/2	000940
24	Lock Washer, 1/2	000840
25	Drive Shaft Shield	400781
28	Side Pulley Shield	400698
30	4-Bolt Flange Bearing	400798
31	Bolt, 1/2 x 1-1/2	000435
32	Lock Washer, 1/2	000840
33	Nut, 1/2	000940
34	Flat Washer, 1/2	001055
35	Side Pulley	400796
36	Pulley Hub	400797
38	Rubber T-Handle	400092
39	Machine Screw, 5/16 x 3/4	000210
40	Web Idler Bracket	401079
41	Carriage Bolt, 3/8 x 7	000140
42	Wing Nut, 1/4	000905
43	Front Lid	400794
*	Replaced with pillow block bearing in 06/05	

Ref#	Description	Part#
45	PTO Stand	400070
46	Complete PTO Shaft	400715
47	Bolt, 3/8 x 1	000270
48	Flat Washer, 3/8	001035
49	Pin & Chain	500012
50	Complete Jack	500009
51	PTO Guard	400795
52	Jack Handle w/ Bolt	500010
54	Warning Decal	400178
57	Jack Shaft	400792
58	Locator Decal	400820
59	Key, 1/4 x 1/4 x 1-1/4	400115
60	Clevis Coupler	401543
61	Nut, 3/8	000915
62	Lock Washer, 3/8	000820
63	Nut, 7/16	000935
64	Lock Washer, 7/16	000830
65	Lockwasher, 5/16	000810
66	Nut, 5/16	000910
67	Locknut, 3/8	003000
69	Grease Fitting	400117
70	Machinery Bushing	400148
71	Cotter Pin, 5/32 x 1-1/2	001215
72	Front Web Sprocket	400098
73	Bolt, 3/8 x 1	000270
74	Carriage Bolt, 1/2 x 1-1/2	000155
75	Nut, 5/16	000910
76	Bolt, 3/8 x 7-1/2	000340
77	Bolt, 1/2 x 1-1/4	000420
78	Cable Pulley	400805
80	Rope Pulley Bracket	400778
81	3/8" Fender Washer	001105
82	5/8" SAE Flatwasher	001076
83	1/4" Nut	000900
84	1/4" Lockwasher	000805
85	1/4" USS Flatwasher	001020
86	1/4" x 3/4" Hex Bolt	000175
87	Ops Manual Canister	503050

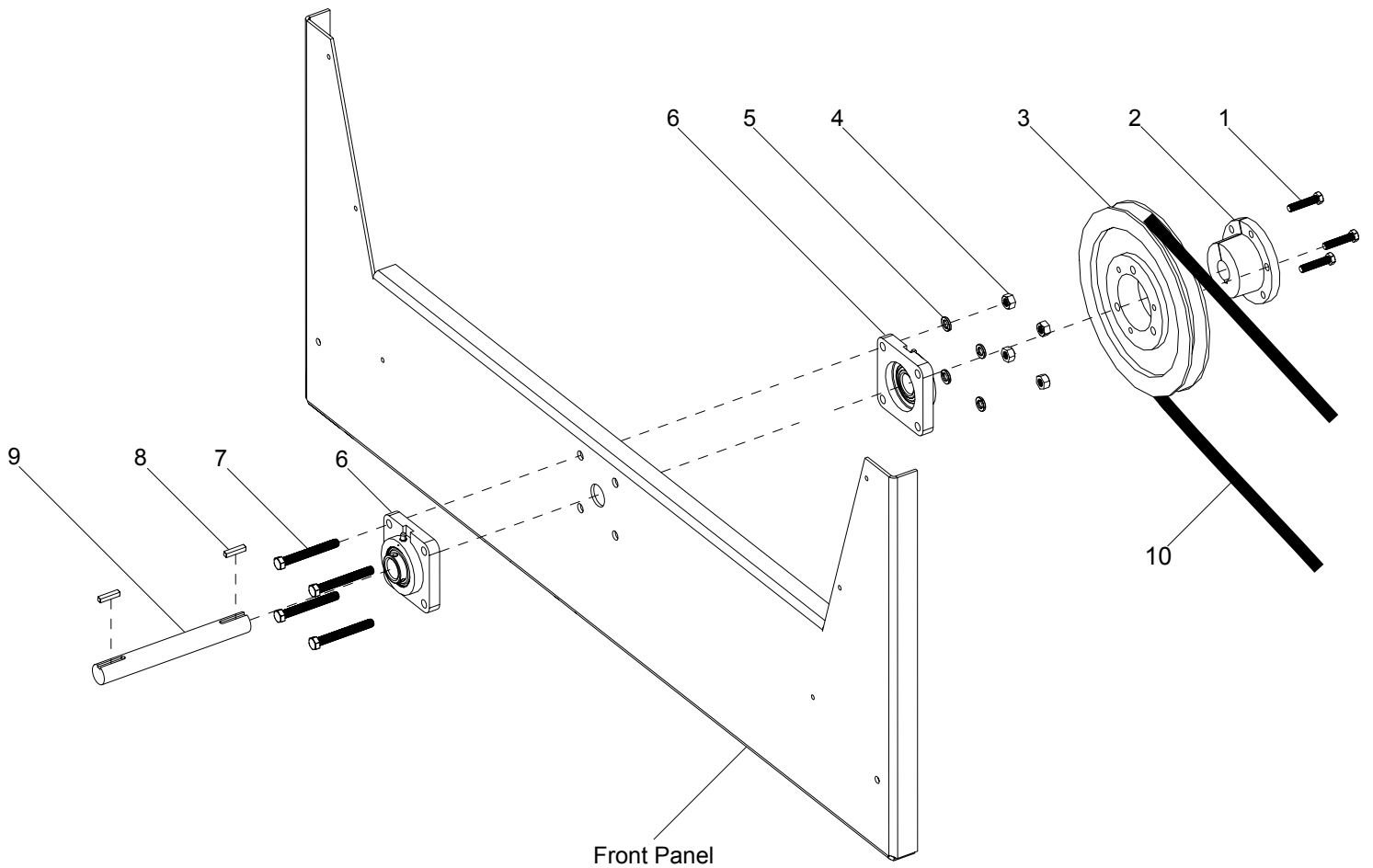
PTO/Jack/Hitch



Ref#	Description	Part#	Qty
1	Side Pulley Shield Assembly	400698	1
2	Rubber Handle	400092	1
3	2K Top Wind Jack	500009	1
4	5/8"-11 Hex Nut	100079	2
5	3 Hole Clevis Coupler	507018	1
6	5/8"-11 x 4.5 Hex Head Bolt	000645	2
7	5/16"-18 x 3/4" Truss Head Bolt	000210	6
8	5/16" Lock Washer	000810	6

Ref#	Description	Part#	Qty
9	5/16"-18 Hex Head Nut	000910	6
10	Complete PTO Shaft	400715	1
11	PTO Shield	400975	1
12	Drive Shaft	400792	1
13	1/4" x 1-1/4" Key	400115	2
14	PTO Stand	400070	1
15	Front Lid	401592	1
16	1/4" Wing Nut	000905	6

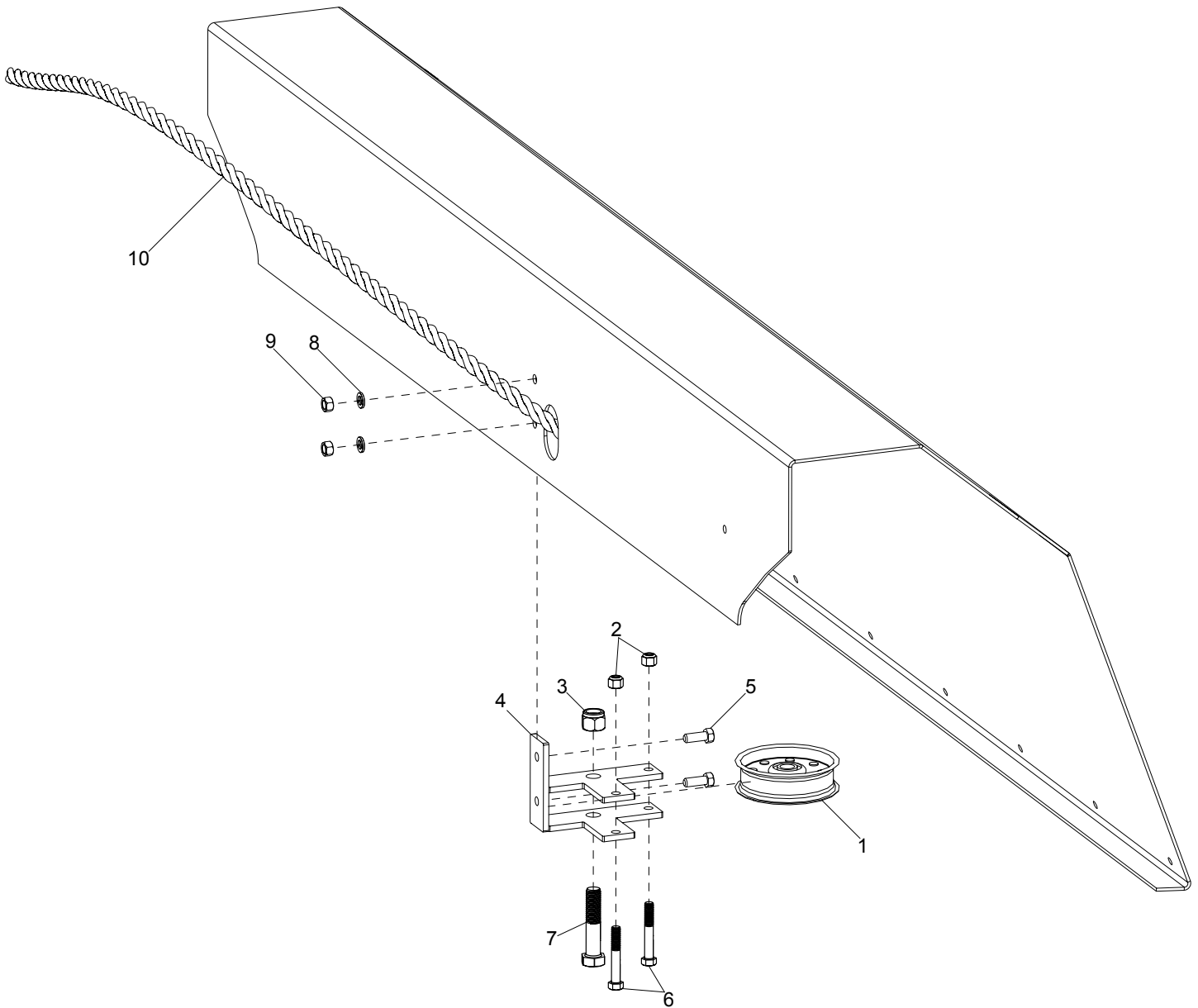
Front Pulley Assembly



Ref#	Description	Part#	Qty
1	3/8"-16 x 1-3/4" Hex Head Bolt	000285	3
2	Front Pulley Hub	400801	1
3	Front Pulley	400800	1
4	7/16"-14 Hex Nut	000935	4
5	7/16 Split Lock Washer	000830	4

Ref#	Description	Part#	Qty
6	1-1/8" 4 Hole Flange Bearing	400104	2
7	7/16"-14 x 1-1/2" Hex Head Bolt	000361	4
8	1/4" x 1-1/4" Key	400115	2
9	Drive Shaft	400792	1
10	Main Drive Belt, CX-83	400799	1

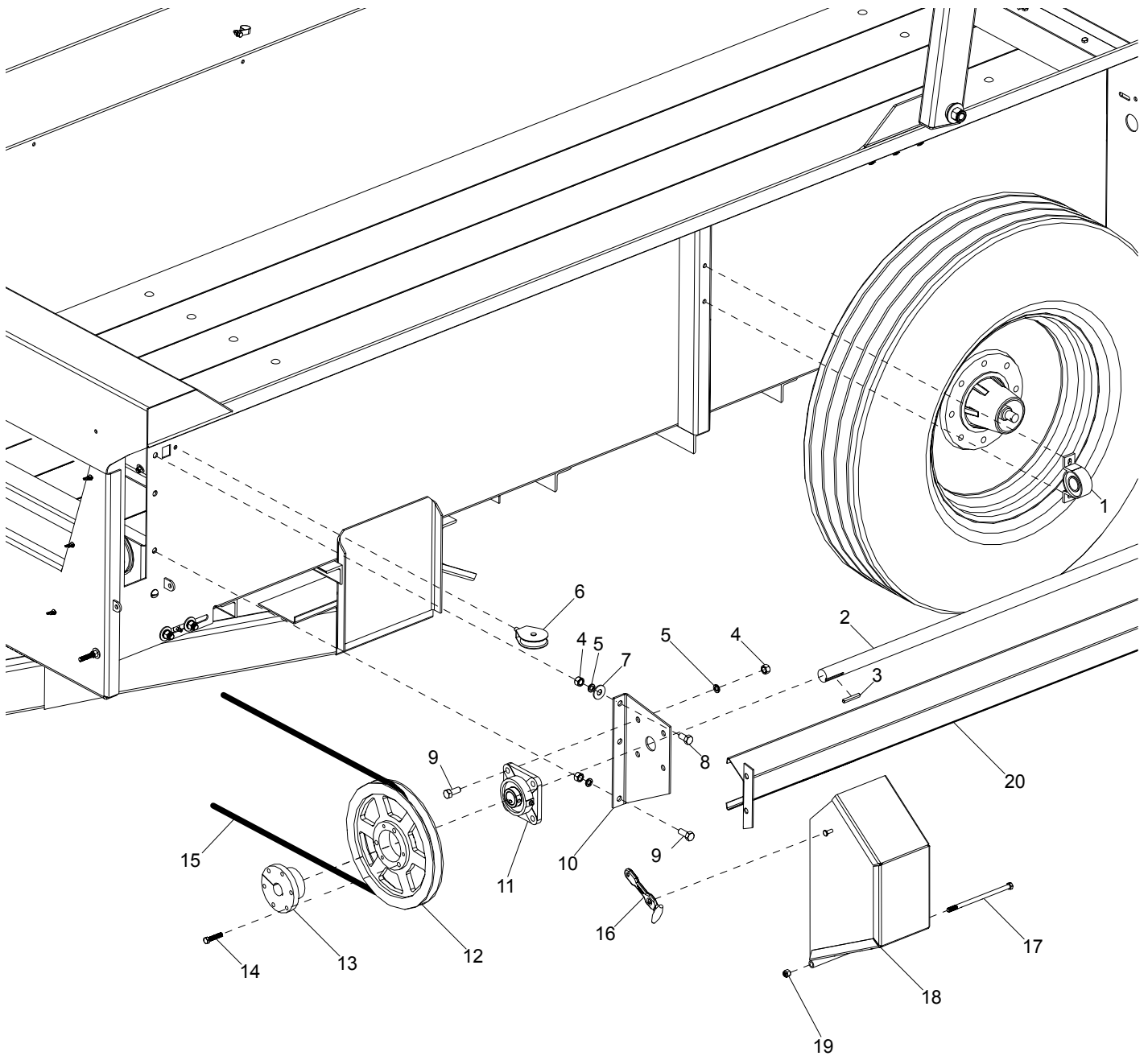
Idler Pulley Assembly



Ref#	Description	Part#	Qty
1	Idler Pulley	400103	1
2	3/8"-16 Nylon Lock Nut	003000	2
3	5/8"-11 Nylon Lock Nut	000972	1
4	Pulley Bracket Assembly	400778	1
5	3/8"-16 x 1"	000270	2

Ref#	Description	Part#	Qty
6	3/8"-16 x 3" Hex Head Bolt	000307	2
7	5/8"-11 x 3" Hex Head Bolt	010019	1
8	3/8" Split Lock Washer	000820	2
9	3/8"-16 Hex Nut	000915	2
10	3/8" Nylon Rope	400806	Length

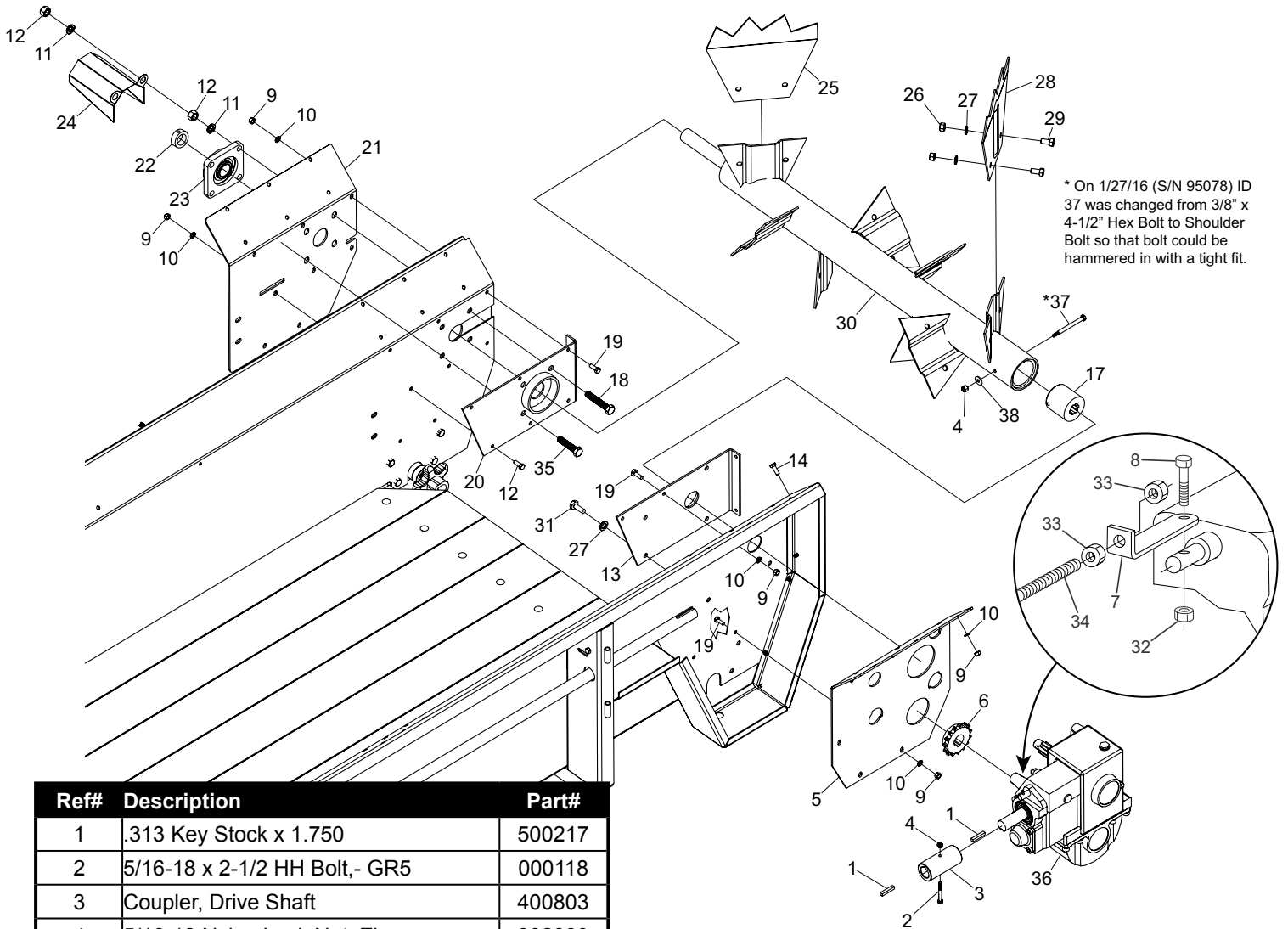
Drive Shaft/Side Pulley Assembly



ID	Part #	Description	Qty
1	401690	1.25" Bearing Housing	1
2	400788	1.25" x 123" Drive Shaft	1
3	400115	1/4" x 1-1/4" Key	1
4	000940	1/2"-13 Hex Nut	7
5	000840	1/2" Split Lock Washer	7
6	400805	Small Pulley	1
7	001055	1/2" USS Flat Washer	2
8	000405	1/2-13 x 1 HHB	2
9	000420	1/2"-13 x 1.25" HHB	5
10	400785	Side Pulley Bracket	1

ID	Part #	Description	Qty
11	400798	1.25" 4 Bolt Flange Bearing	1
12	400796	Side Pulley	1
13	400797	Hub, Side Pulley	1
14	000285	3/8"-16 x 1-3/4" HHB	3
15	400799	Belt, CX-83	1
16	400092	Rubber Handle	1
17	000340	3/8"-16 x 7-1/2" HHB	1
18	400698	Side Pulley Shield	1
19	003000	3/8"-16 Nylon Lock Nut	1
20	400781	Drive Shaft Shield	1

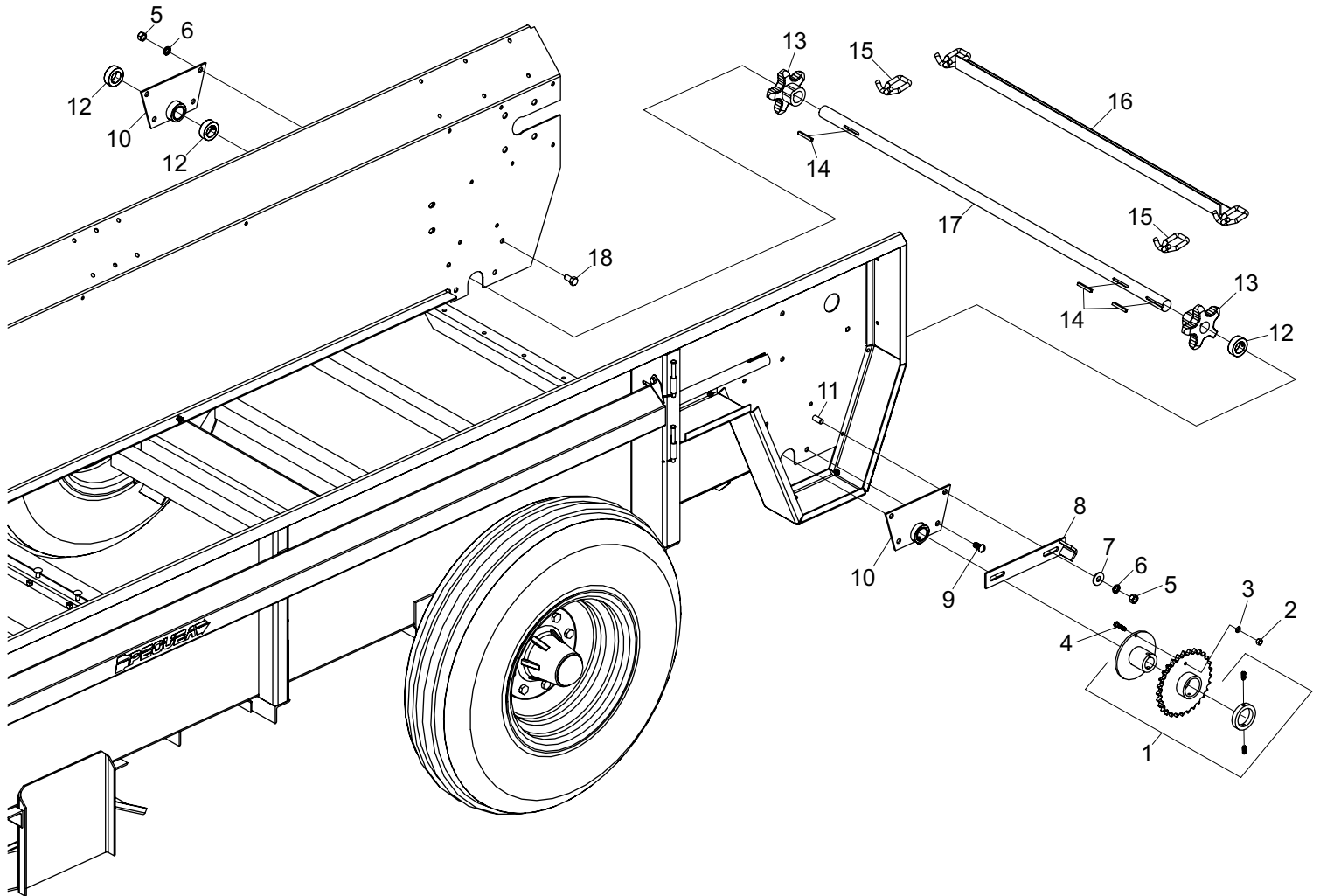
125P Widespread Assembly



Ref#	Description	Part#
1	.313 Key Stock x 1.750	500217
2	5/16-18 x 2-1/2 HH Bolt,- GR5	000118
3	Coupler, Drive Shaft	400803
4	5/16-18 Nylon Lock Nut, Zinc	002999
5	125 Gearbox Plate	400970
6	1-3/8" Bore 15 Tooth Drive Sprocket	400807
7	Gear Shifting Cable Bracket	401348
8	1/4-20 x 1-1/4 HH Bolt, - GR 5	000184
9	3/8-16 Hex Nut, Gr.5 Zinc	000915
10	3/8 Lock Washer, Zinc	000820
11	5/8 Lock Washer, Zinc	000860
12	5/8-11 Hex Nut, Gr.5 Zinc	000970
13	125P Widespread Bearing Bracket	400691
14	3/8" x 7/8" Hex Head Bolt	000250
15	3/8-16 Nylon Lock Nut, Zinc	003000
16	3/8" x 4-1/2" Hex Head Bolt	000325
17	Widespread Pipe Splined Hub	403784
18	5/8-11 x 2-3/4 Hex Head Bolt	000623
19	3/8-16 x 1 Hex Head Bolt, Gr.5 Zinc	000270
20	125P Widespread Bracket	400688
21	Right Rear Supporting Plate	400971

Ref#	Description	Part#
22	1.500 Plated Shaft Collar	101044
23	1-1/2" 4 Hole Flange Bearing	400810
24	Widespread Shaft Shield	401329
25	Widespread Paddle, Right	401571
26	1/2-13 Hex Nut, Gr.5 Zinc	000940
27	1/2 Lock Washer, Zinc	000840
28	Widespread Paddle, Left	400790
29	1/2-13 x 1 Hex Head Bolt, Gr.5 Zinc	000405
30	Widespread Shaft Assembly,- 125P	400682
31	M12-1.75 x 30 Hex Head Bolt, Zinc	002530
32	1/4-20 Nylon Lock Nut, Zinc	003001
33	5/16 Fine Thread Hex Nut Zinc	001115
34	Gear Shifting Cable, 162"	400804
35	5/8-11 x 2-1/2 Hex Head Bolt	000615
36	Gear Box	400100
37	3/8" x 4" Shoulder Bolt 5/16" Thread	403805

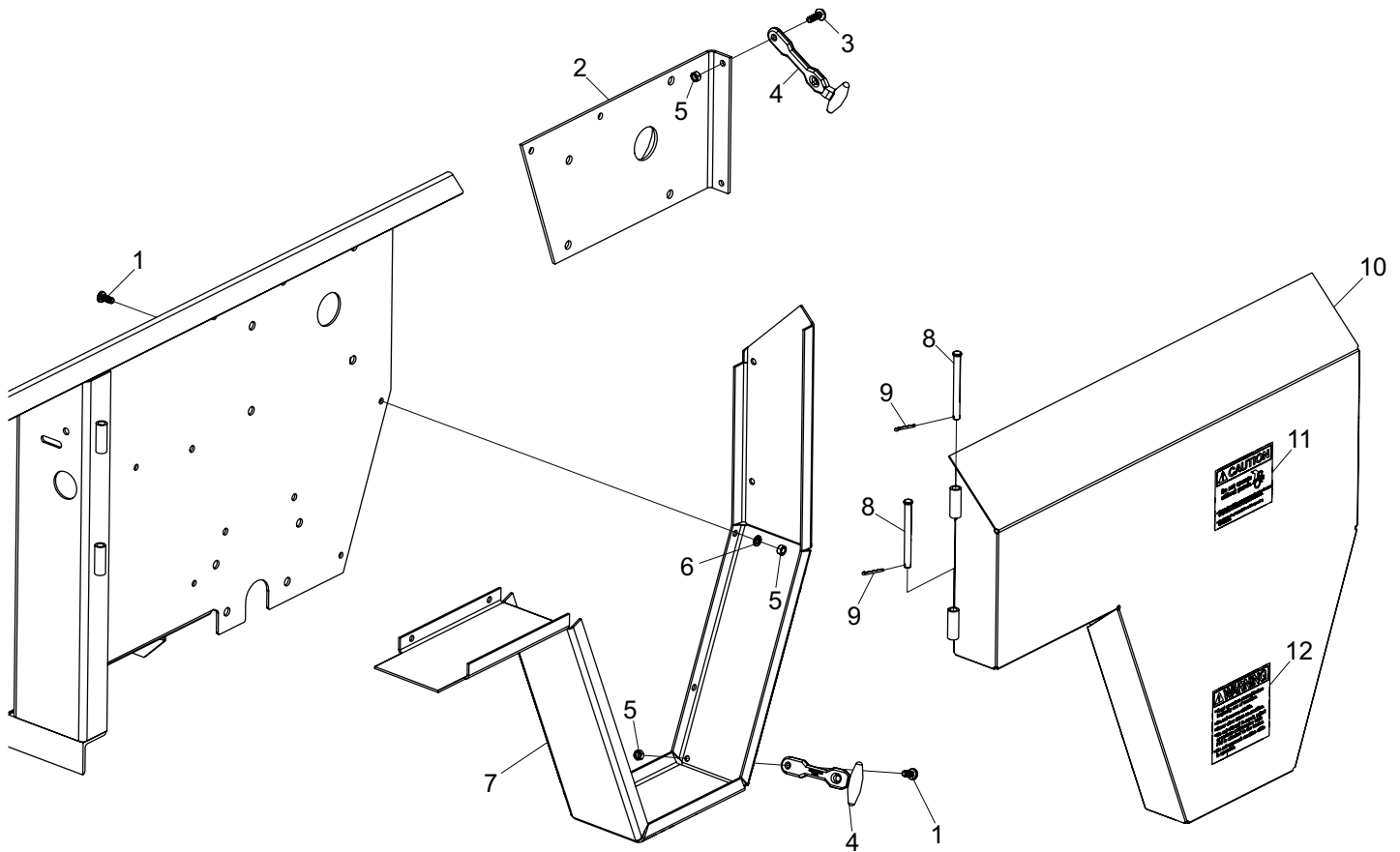
125P Web Chain, Sprocket and Idler



Ref#	Description	Part#
1	Ø 1.25 6029 Bore Sprocket	400808
2	5/16-18 Hex Nut, Gr.5 Zinc	000910
3	5/16 Lock Washer, Zinc	000810
4	5/16 x 1-1/4 Hex Head Bolt, Gr.5	000230
5	1/2-13 Hex Nut, Gr.5 Zinc	000940
6	1/2 Lock Washer, Zinc	000840
7	1/2" USS Flat Washer	001055
8	Web Chain Idler Weld Assembly	400712
9	1/2" x 1" Truss Head Bolt	000540

Ref#	Description	Part#
10	We Bearing Weld Assembly	400694
11	1/2-13 x 1-1/4 Hex Head Bolt,	000420
12	1.250 Plated Shaft Collar	401476
13	Rear Web Sprocket	400944
14	.250 Key Stock x 2.000	400587
15	#67 T-Rod Link, - (Black)	400086
16	125P Web Slat Weldment	400356
17	Web Shaft, 1-1/4" x 51-3/4"	400793
18	1/2"x 1" Hex Head Bolt	000405

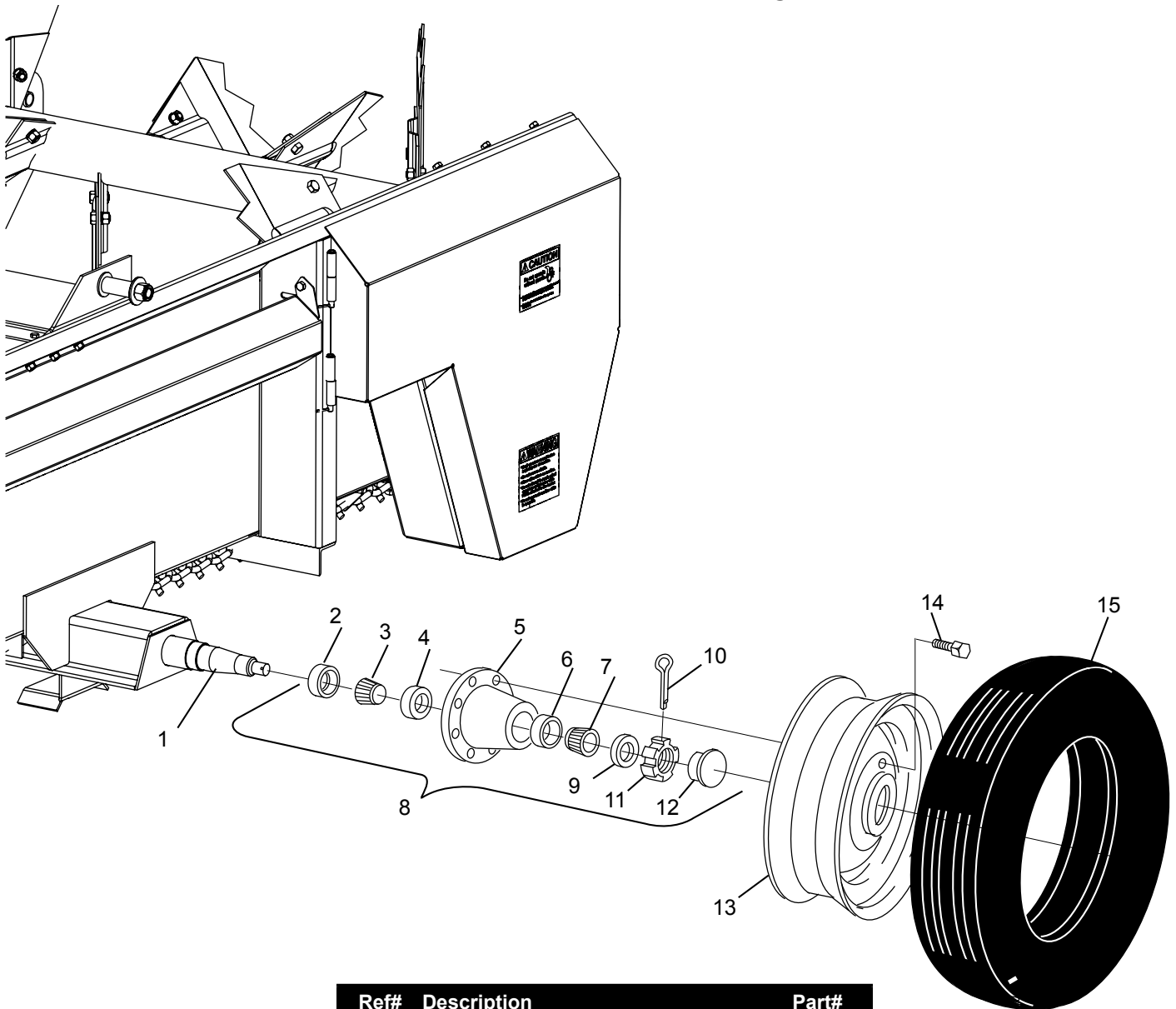
125P Gearbox Shield



Ref#	Description	Part#
1	5/16-18 x 3/4 Truss Head Bolt, Zinc	000210
2	Widespread Bearing Bracket	400691
3	5/16-18 x 1 Truss Head Bolt	000211
4	Rubber Latch	400092
5	5/16-18 Hex Nut, Gr.5 Zinc	000910
6	5/16 Lock Washer, Zinc	000810

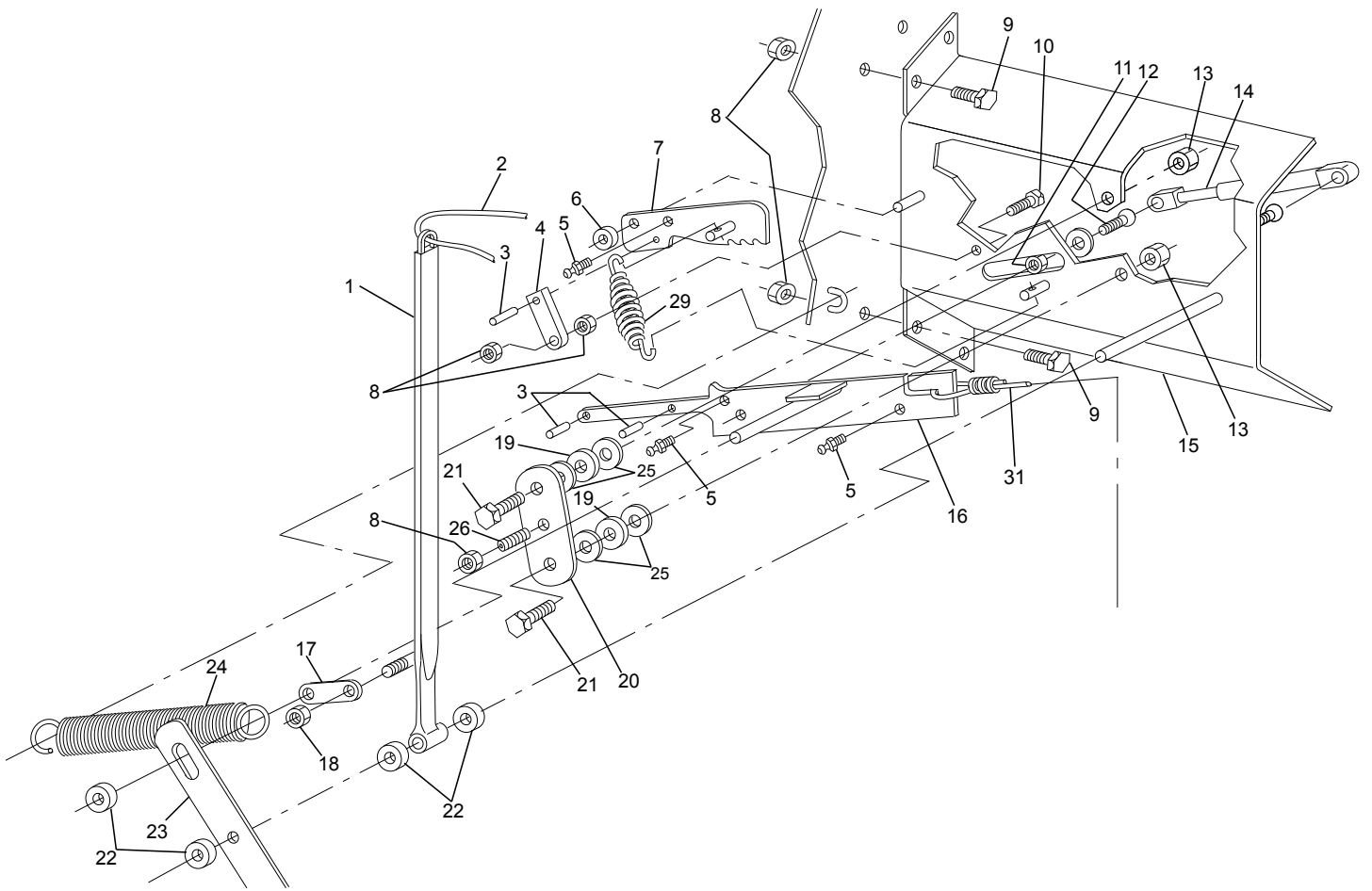
Ref#	Description	Part#
7	Gearbox Shield, Bottom	400787
8	Hinge Pin	401523
9	1/8 x 1 Cotter Pin Zinc	001210
10	Gearbox Shield Weld Assembly	400702
11	Caution Decal	400179
12	Warning Decal	400178

125P Axle Assembly



Ref#	Description	Part#
1	Rear Spindle	400667
2	Inner Seal	300500
3	Inner Bearing	300553
4	Inner Race	300551
5	Hub Only	300550
6	Outer Race	300552
7	Outer Bearing	300554
8	Complete Hub	300549
9	Spindle Washer	300283
10	Cotter Pin, 5/32 x 1-1/4	300282
11	Castle Nut	300281
12	Hub Cap	300555
13	16 x 8 8-Bolt Yellow Rim	300311
14	Lug Bolt	300556
15	Tire, 10.00 - 16 F2M 8 Ply	401673

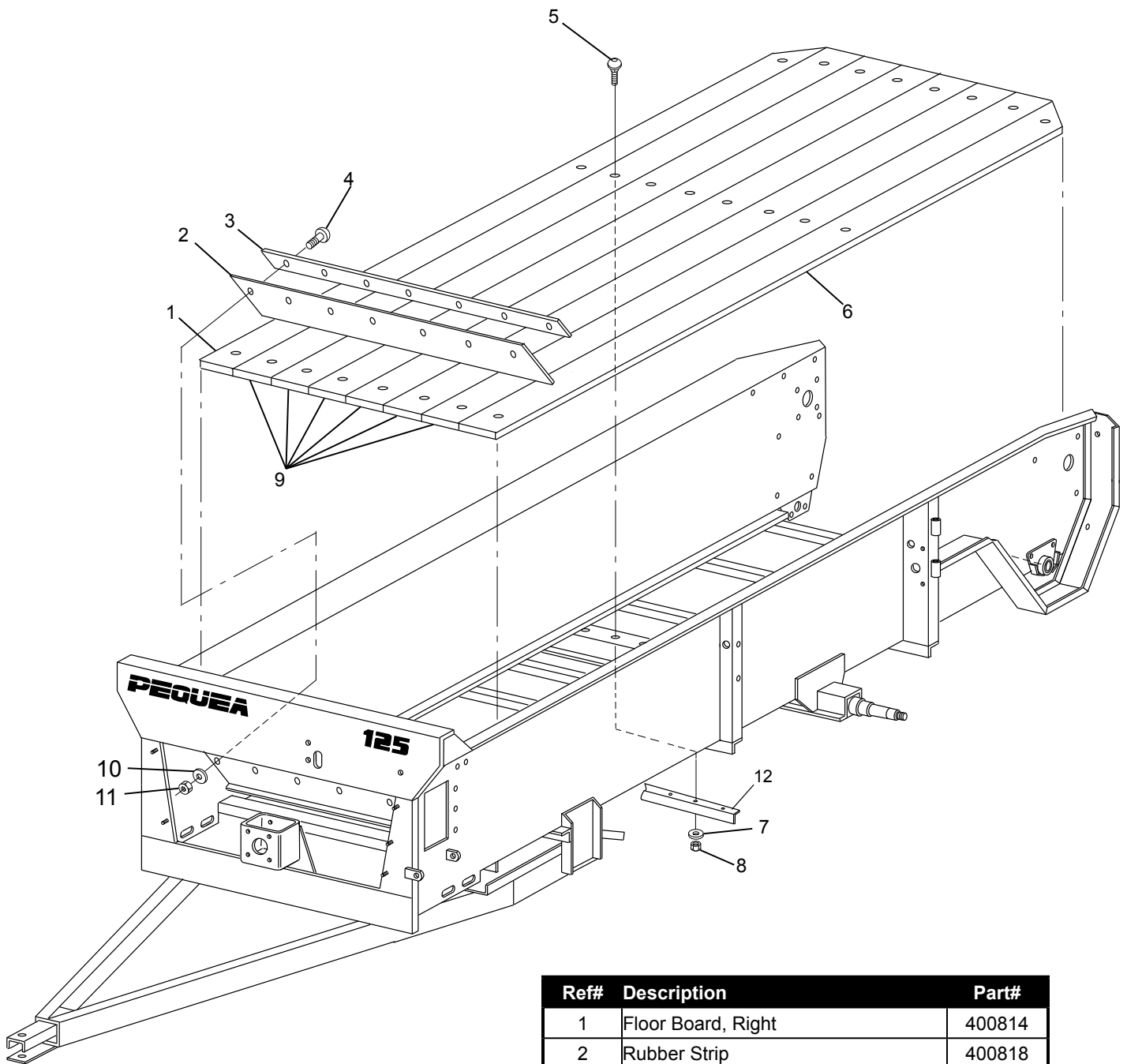
125P Shifter



Ref#	Description	Part#
1	Control Arm Assembly	400746
2	Gear Shifter Rope	400806
3	Roll Pin, 1/4" x 5/8"	400755
4	Lifter Arm	400760
5	Grease Fitting	400118
6	3/8" Shaft Collar	400776
7	Gear Locating Assembly	400756
8	Nut, 3/8	000915
9	Bolt, 3/8 x 1	000270
10	Bolt, 3/8 x 1-1/2	000280
11	Nut, 5/16	000910
12	Ball Stud	401013
13	Nut, 1/2	000940
14	Gas Spring	400764

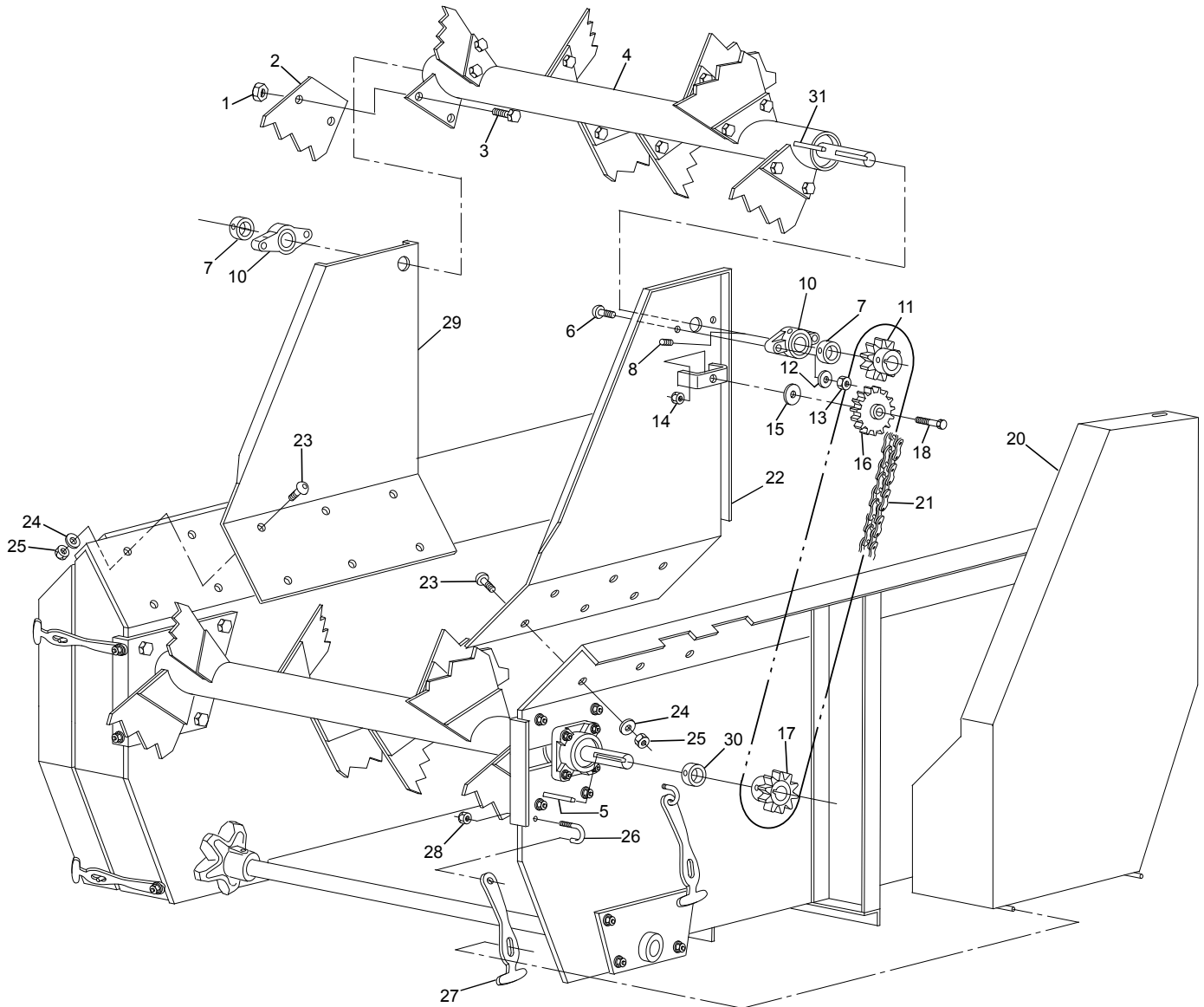
Ref#	Description	Part#
15	Shifter Mounting Plate	401010
16	Shift Arm Assembly	400751
17	Shifter Linkage	400762
18	Locknut, 3/8	003000
19	Bearing, Shifter Arm	400765
20	Guide Plate	400761
21	Bolt, 1/2 x 2-1/4	000455
22	3/4" Shaft Collar	502122
23	Indicator	400763
24	Extension Spring	400404
25	Flat Washer, 3/8	001035
26	Set Screw, 3/8 x 1	400766
29	Extension Spring	400116
31	Shifter Cable	400804

125P Floor



Ref#	Description	Part#
1	Floor Board, Right	400814
2	Rubber Strip	400818
3	Rubber Clamp	400372
4	Bolt, 5/16 x 1	000220
5	Carriage Bolt, 3/8 x 1-3/4	000130
6	Floor Board, Left	400813
7	Lock Washer, 3/8	000820
8	Nut, 3/8	000915
9	Floor Board, Main	400812
10	Flat Washer, 5/16	001030
11	Locknut, 5/16	002999
12	Floating Floor Hold Down Plate	401378

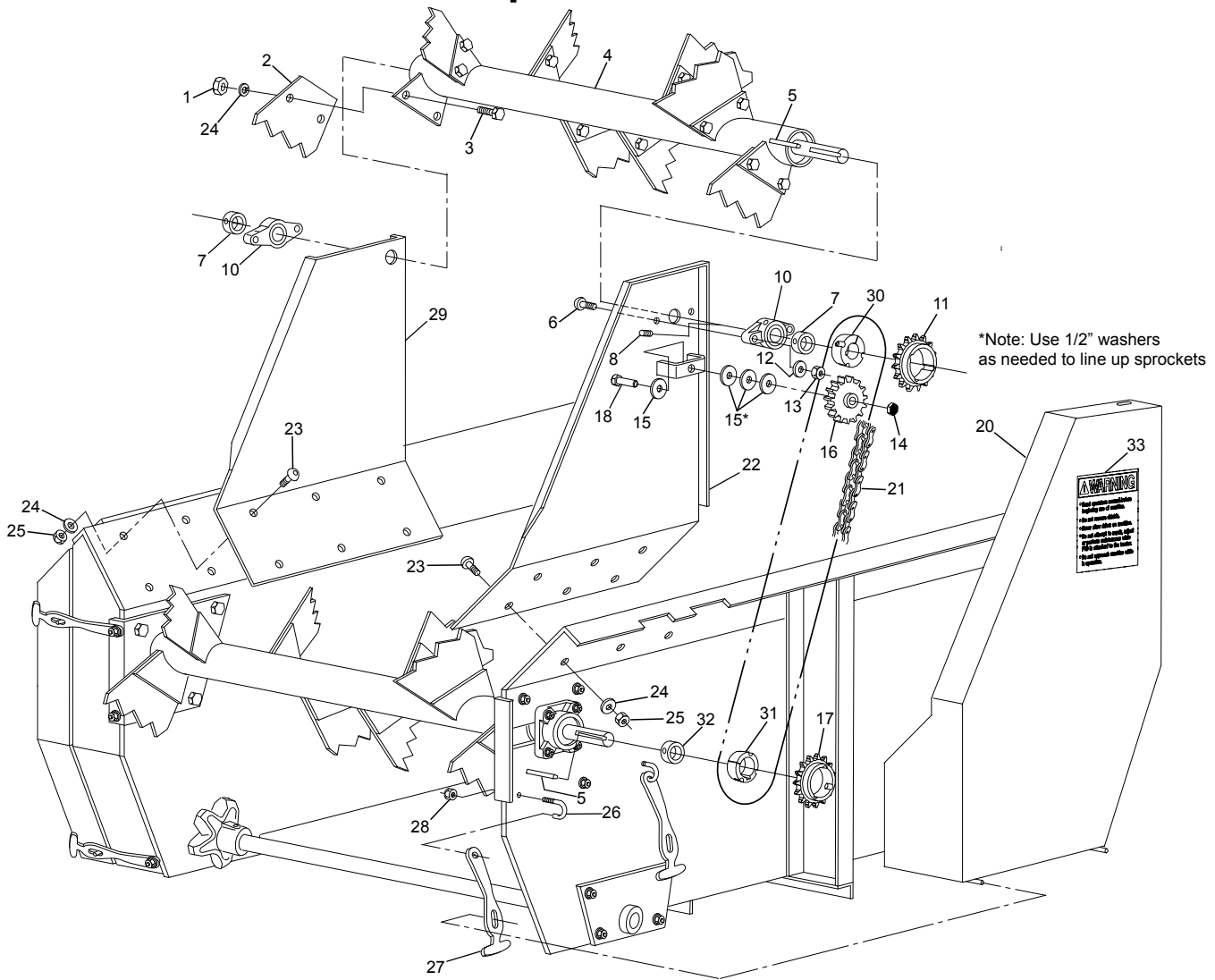
125P Top Beater S/N -91613



Ref#	Description	Part#
1	Nut, 3/8	000915
2	Beater Paddle	400858
3	Bolt, 3/8 x 7/8	000250
4	Top Beater Assembly	400841
5	Key, 1/4 x 1/4 x 1-1/4	400115
6	3/8" x 1 1/4" Hex Head Bolt	000275
7	1-1/8" Shaft Collar	400144
10	Flange Bearing	400855
11	Beater Sprocket	400105
12	Lock Washer, 1/2	000840
13	Nut, 1/2	000940
14	Nylon Jam Nut, 1/2	000752
15	Flat Washer, 1/2	001055
16	Idler Sprocket	400399

Ref#	Description	Part#
17	Beater Sprocket	400400
18	Bolt, 1/2 x 1-3/4	000445
20	Top Beater Shield	400846
21	Drive Chain	400854
22	Mounting Bracket, Right	400850
23	Bolt, 3/8 x 7/8	000250
24	Lock Washer 3/8	000820
25	Nut, 3/8	000915
26	T-Handle Mount	400844
27	Rubber T-Handle	400092
28	Nut, 3/8	000915
29	Mounting Bracket, Left	400851
30	1-1/2" Shaft Collar	101044
31	3/8" Key x 1-1/2"	401580

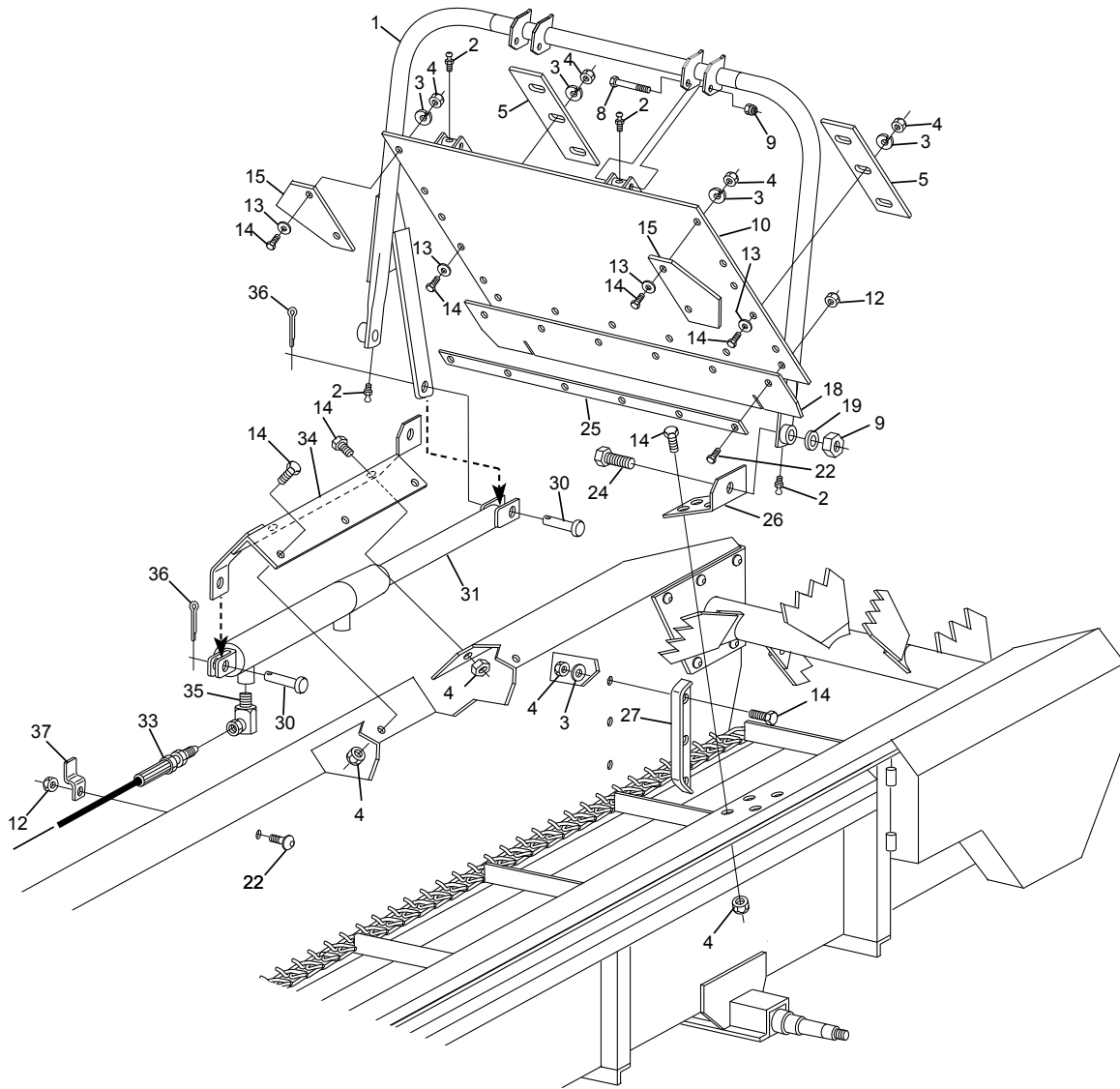
125P Top Beater S/N 91613+



Ref#	Description	Part#
1	Nut, 3/8	000915
2	Beater Paddle	400858
3	Bolt, 3/8 x 7/8	000250
4	Top Beater Assembly	400841
5	Key, 1/4 x 1/4 x 1-1/4	400115
6	3/8" x 1 1/4" Hex Head Bolt	000275
7	1-1/8" Shaft Collar	400144
10	Flange Bearing	400855
11	Beater Sprocket	403767
12	Lock Washer, 1/2	000840
13	Nut, 1/2	000940
14	Nylon Jam Nut, 1/2	000752
15	Flat Washer, 1/2	001055
16	Idler Sprocket	400399

Ref#	Description	Part#
17	Beater Sprocket	403767
18	Bolt, 1/2 x 1-3/4	000445
20	Top Beater Shield	400846
21	Drive Chain	403770
22	Mounting Bracket, Right	400850
23	Bolt, 3/8 x 7/8	000250
24	Lock Washer 3/8	000820
25	Nut, 3/8	000915
26	5/16" J Bolt	400147
27	Rubber T-Handle	400092
28	5/16" Nut	000910
29	Mounting Bracket, Left	400851
30	1-1/8" Taper Lock Bushing	403769
31	1-1/2" Taper Lock Bushing	403768
32	1-1/2" Shaft Collar	101044

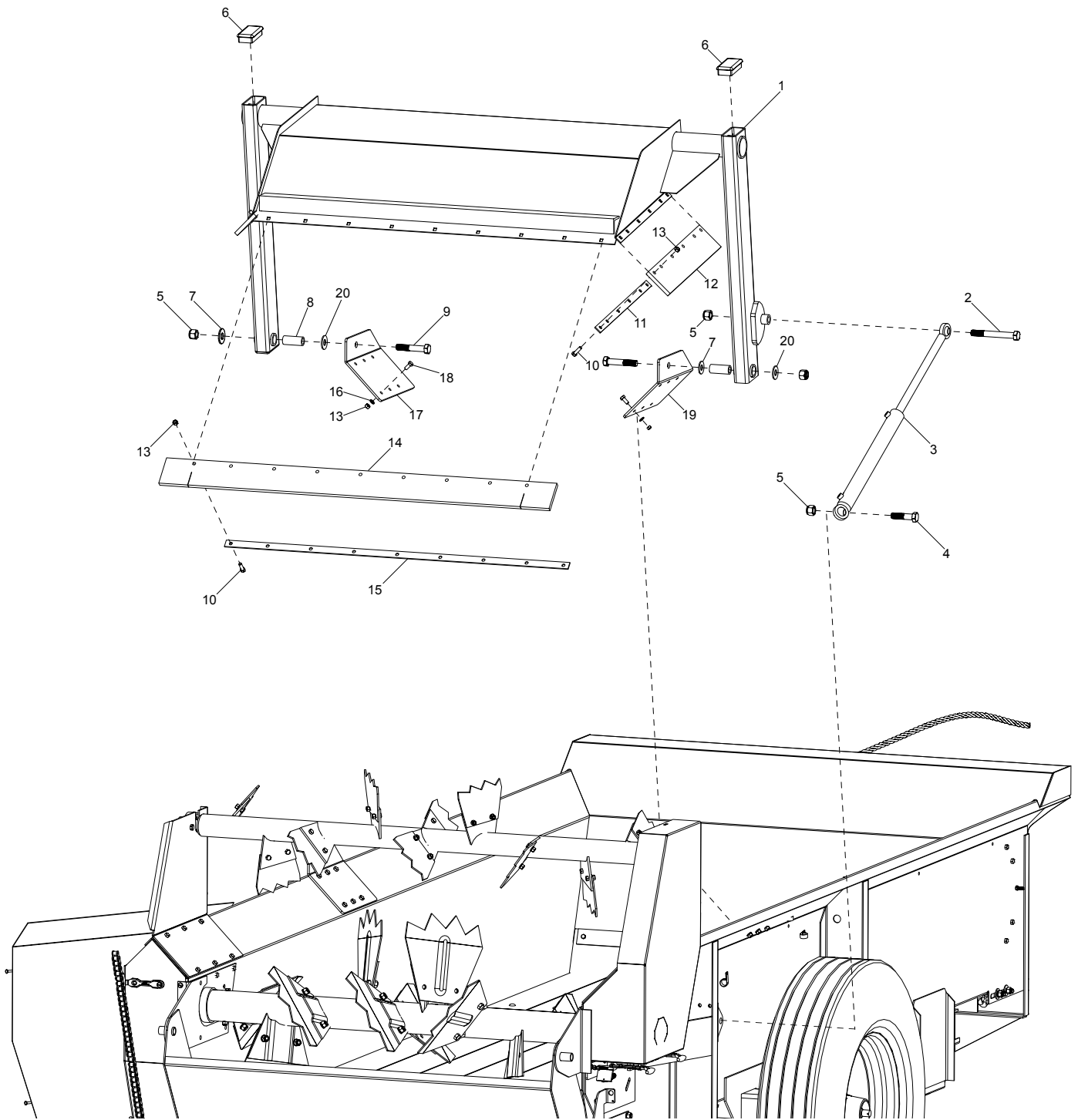
125P Endgate S/N -90126



Ref#	Description	Part#
1	Endgate Arm	400860
2	Grease Fitting	400118
3	Lock Washer, 3/8	000820
4	Nut, 3/8	000915
5	Gate Shim	400871
8	Bolt, 3/4 x 5	000750
9	Locknut, 3/4	000990
10	Endgate Panel	400864
12	Nut, 5/16	000910
13	Flatwasher, 3/8	001035
14	Bolt, 3/8 x 7/8	000250
15	Flare Plate	400868
18	Rubber Strip	400818

Ref#	Description	Part#
19	3/4" Machine Bushing	400146
22	Bolt, 5/16 x 1	000220
24	Bolt, 3/4 x 3-1/2	000730
25	Rubber Holder	400372
26	Mounting Bracket, Left	400869
27	Gate Stop	400623
30	Cylinder Pin	400892
31	Endgate Cylinder	400443
33	Hydraulic Hose	400872
34	Cylinder Mounting Bracket	400423
35	90 degree Hydraulic Fitting	502302
36	Cotter Pin	300056
37	Hose Clamp	400908

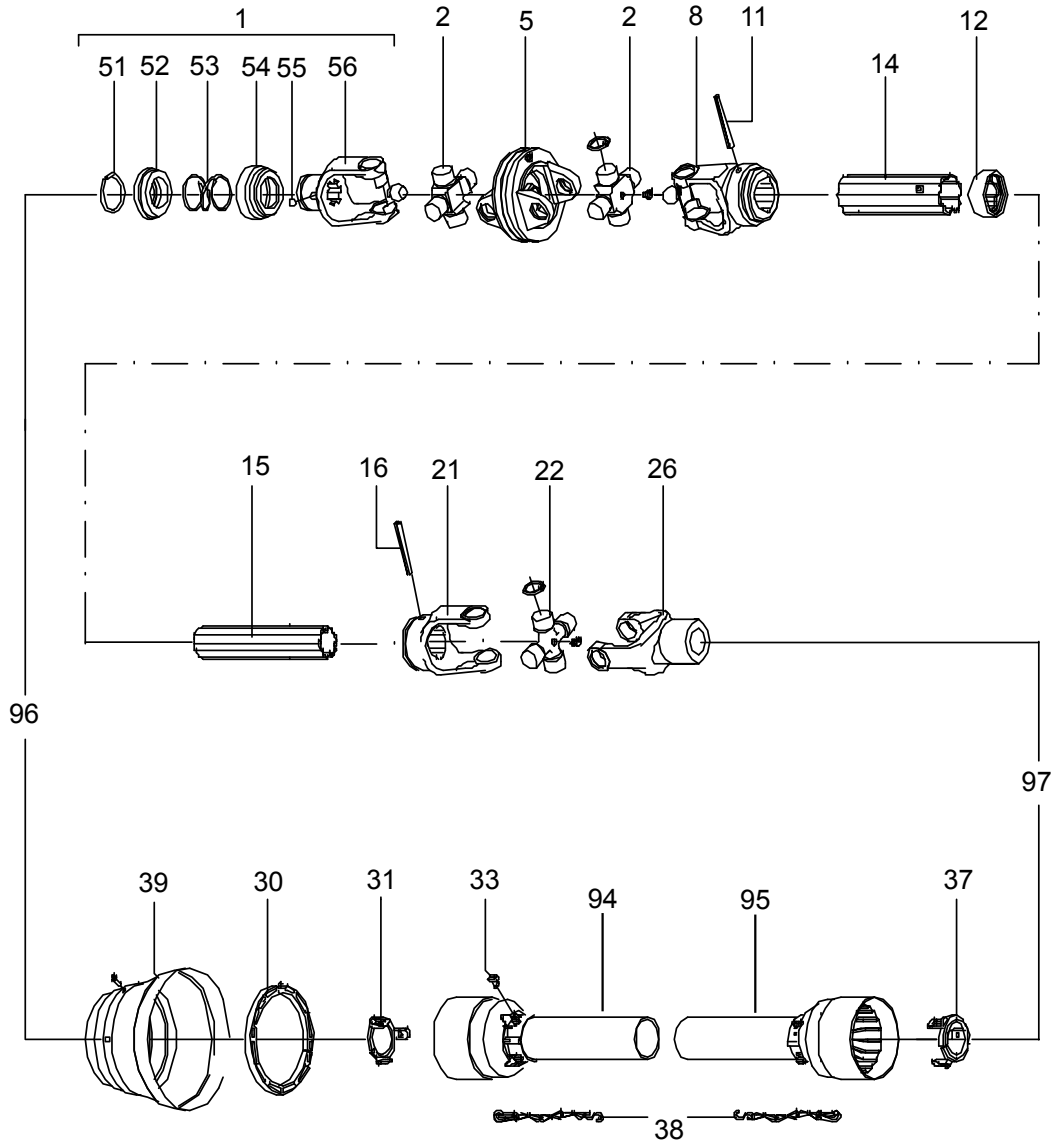
Endgate Assembly S/N 90126+



ID	Part #	Description
1	403748	175 Endgate Weldment
2	000765	3/4"-10 x 6" HHB
3	403757	1.5" Endgate Cylinder
4	000715	3/4"-10 x 4-1/2" HHB
5	000990	3/4"-10 Nylon Locknut
6	502276	Rubber End Cap
7	001085	3/4" USS Flat Washer
8	403005	Endgate Arm Bushing
9	000740	3/4"-10 x 4" HHB
10	000275	3/8"-16 x 1.25" HHB

ID	Part #	Description
11	403006	Side Rubber Clamp
12	403018	Endgate Side Seal
13	003000	3/8" Nylon Locknut
14	403039	Back Seal
15	403043	Back Rubber Clamp
16	000820	3/8" Split Lock Washer
17	403030	Left Endgate Bracket
18	000250	3/8"-16 x .875" HHB
19	403031	Right Endgate Bracket
20	403753	Low-Friction Washer

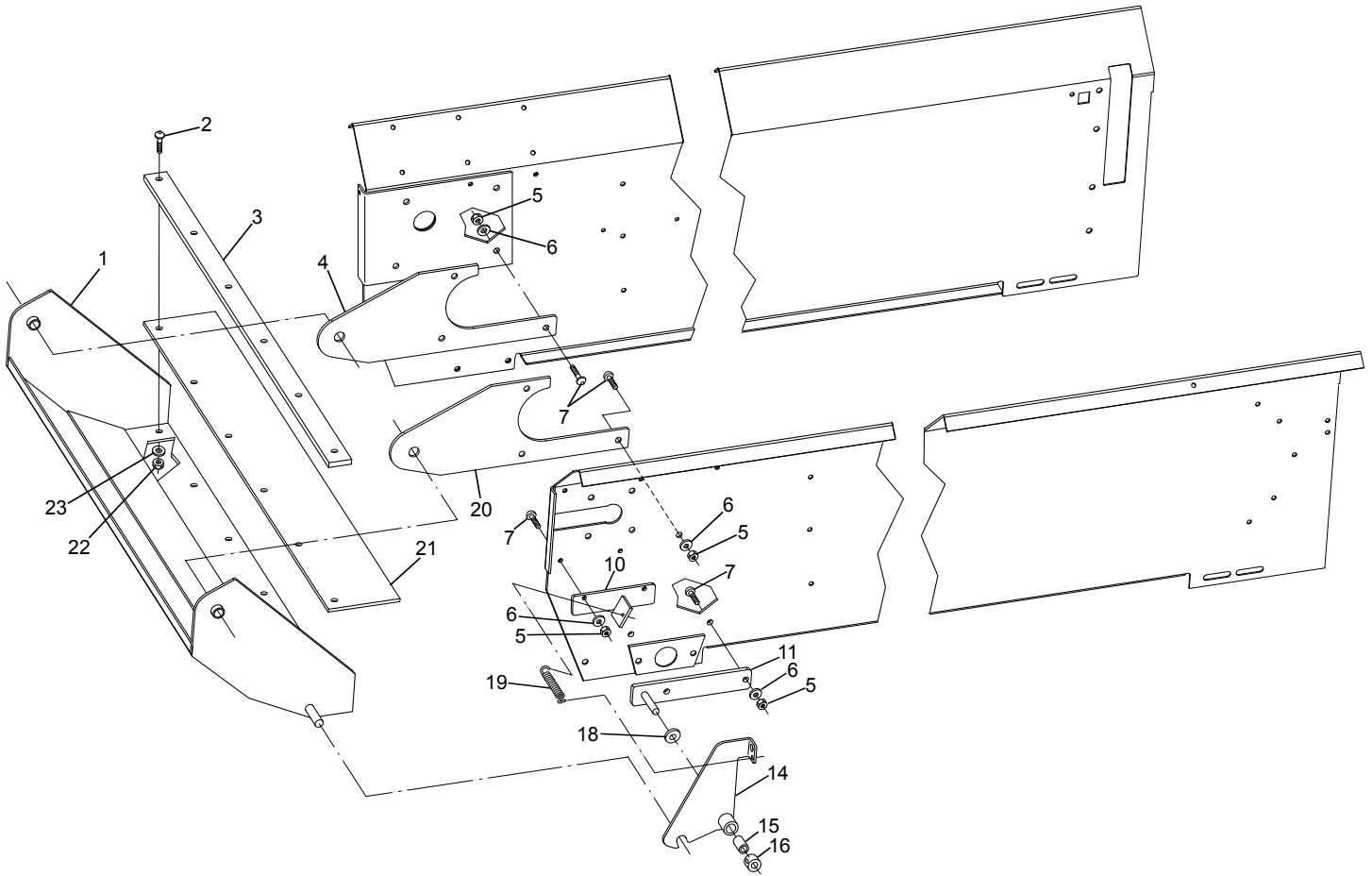
125P PTO Shaft



Ref#	Description	Part#
1	Collar Yoke for CV-Joint	400717
2	Cross Journal Set	400718
5	Double Yoke	400719
8	Outer Yoke	400720
11	Roll Pin, Outer Tube	400722
12	Wiper	400725
14	Outer Tube	400721
15	Inner Tube	400739
16	Roll Pin, Inner Tube	400741
21	Inner Yoke	400738
22	Cross Journal Set	400737
26	Implement Yoke	400736
30	Shield Bearing	400723
31	Outer Shield Bearing	400726

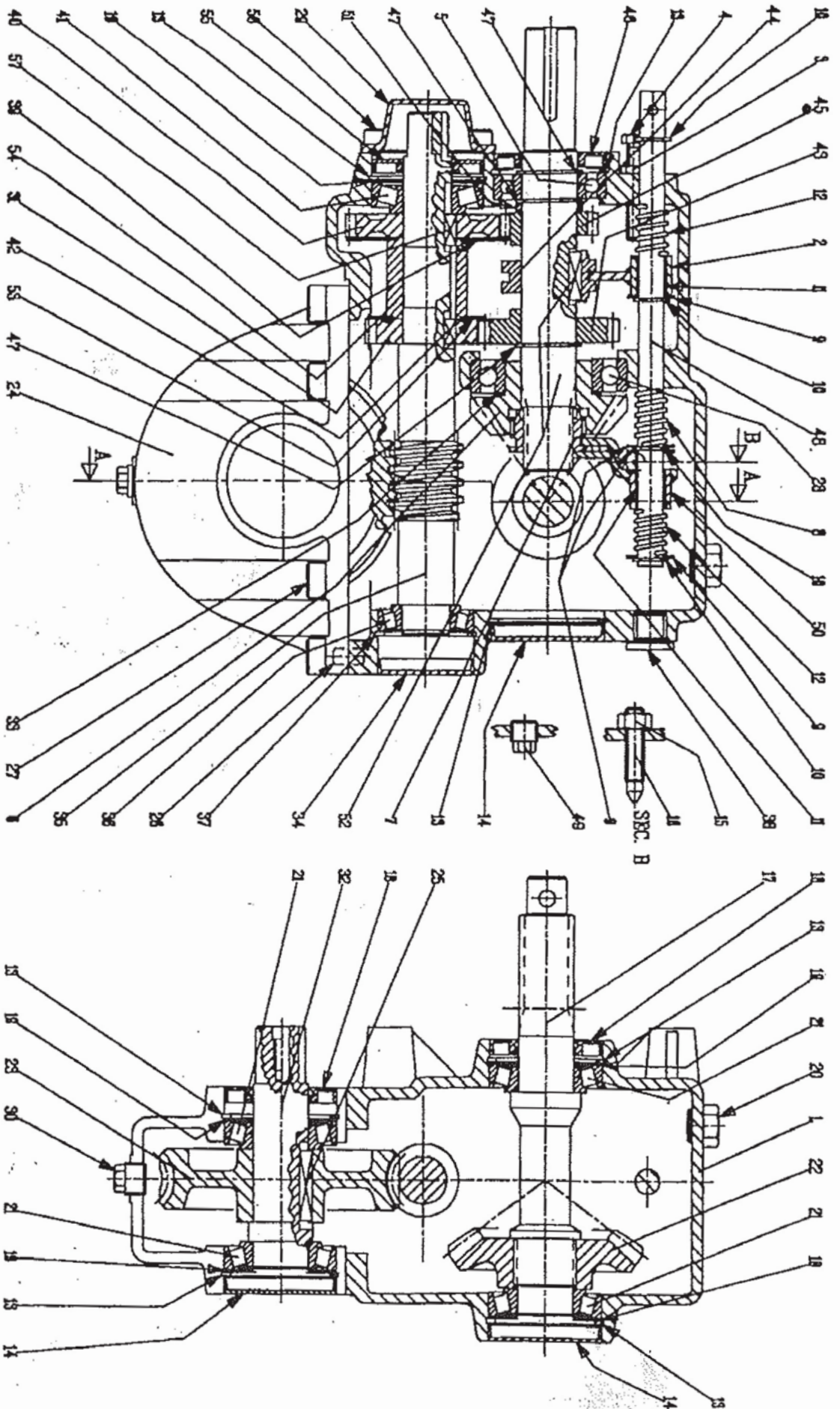
Ref#	Description	Part#
33	PTO Shield Screw	400730
37	Inner Shield Bearing	400742
38	Safety Chain	400729
39	CV Shield w/ Bearing	400767
51	Outer Clip	400727
52	Sliding Sleeve Collar	400728
53	Spring	400731
54	Fixed Sleeve	400732
55	Ball, 1/2"	400743
56	Yoke, CV-Joint	400744
94	Female Half Guard	400724
95	Male Half Guard	400740
96	PTO Shaft, Front Half	400716
97	PTO Shaft, Rear half	400735

125P Fine Spread Pan



Ref#	Description	Part#
1	Fine Spread Pan	400826
2	Bolt, 5/16 x 1	000221
3	Rubber Strip Clamp	400372
4	Pan Hinge, Left	400823
5	Nut, 3/8	000915
6	Lock Washer, 3/8	000820
7	Bolt, 3/8 x 1	000270
10	Latch Stop	400831
11	Latch Hinge	400834
14	Latch	400895
15	Bushing, Latch	700081
16	5/8" Shaft Collar	400856
18	Flat Washer, 5/8	001075
19	Extension Spring	400116
20	Pan Hinge, Right	400824
21	Rubber Belting	400818
22	Nut, 5/16	000910
23	Lock Washer, 5/16	000810

Gearbox Assembly



Gearbox

Ref#	Description	Part#
1	Gearbox Casing	402400
2	Fork	402401
3	M8 Hex Nut	402402
4	M8 Bolt	402403
5	6207 Bearing	402404
6	Z17 Pinion	402405
7	Bushing	402406
8	Spring	402407
9	16.2 x 1.5 Shim	402408
10	Snap Ring	402409
11	Friction Bearing	402410
12	Spring	402411
13	Snap Ring	402412
14	Cap, 72 x 10	402413
15	Hex Nut, M12	402414
16	Screw	402415
17	Splined Shaft, 1 -3/8"	402416
18	Double Lip Seal, 35 x 72 x 10	402417
19	Shim, 71.7	402418
20	Oil Filler Plug	402419
21	Bearing, 30207	402420
22	Crown Wheel, Z23	402421
23	Crown Wheel, Z41	402422
24	Gearbox Casing	402423
25	Parallel Key, 10 x 8 x 45	402424
26	Spring Pin, 10 x 20	402425
27	Bolt, M12 x 35 12.9	402426
28	Bearing, 6211	402427
29	Cover	402428

Ref#	Description	Part#
30	Plug, 1/2" Gas	402429
31	Gear, Z22	402430
32	Shaft	402431
33	Shim, 61.7	402432
34	Cap, 62 x 10	402433
35	Worm Screw	402434
36	Bearing, 30206	402435
37	Snap Ring, 62mm	402436
38	Plug	402437
39	Spacer	402438
40	Gear, Z30	402439
41	Bearing, 30206	402440
42	Parallel Key, 8x7x14.5	402441
43	Gear, Z25	402442
44	Bushing	402443
45	Gear, Z17	402444
46	Oil Seal, 35x72x10	402445
47	Snap Ring, 35mm	402446
48	Lever	402447
49	Plug, 3/8 GAS	402448
50	Fork	402449
51	Spacer	402450
52	Shaft	402451
53	Spacer	402452
54	Spacer	402453
55	Oil Seal, 30x72x10	402454
56	Bolt, M10x20 8.8	402455
57	Parallel Key, 8x7x20	402456