

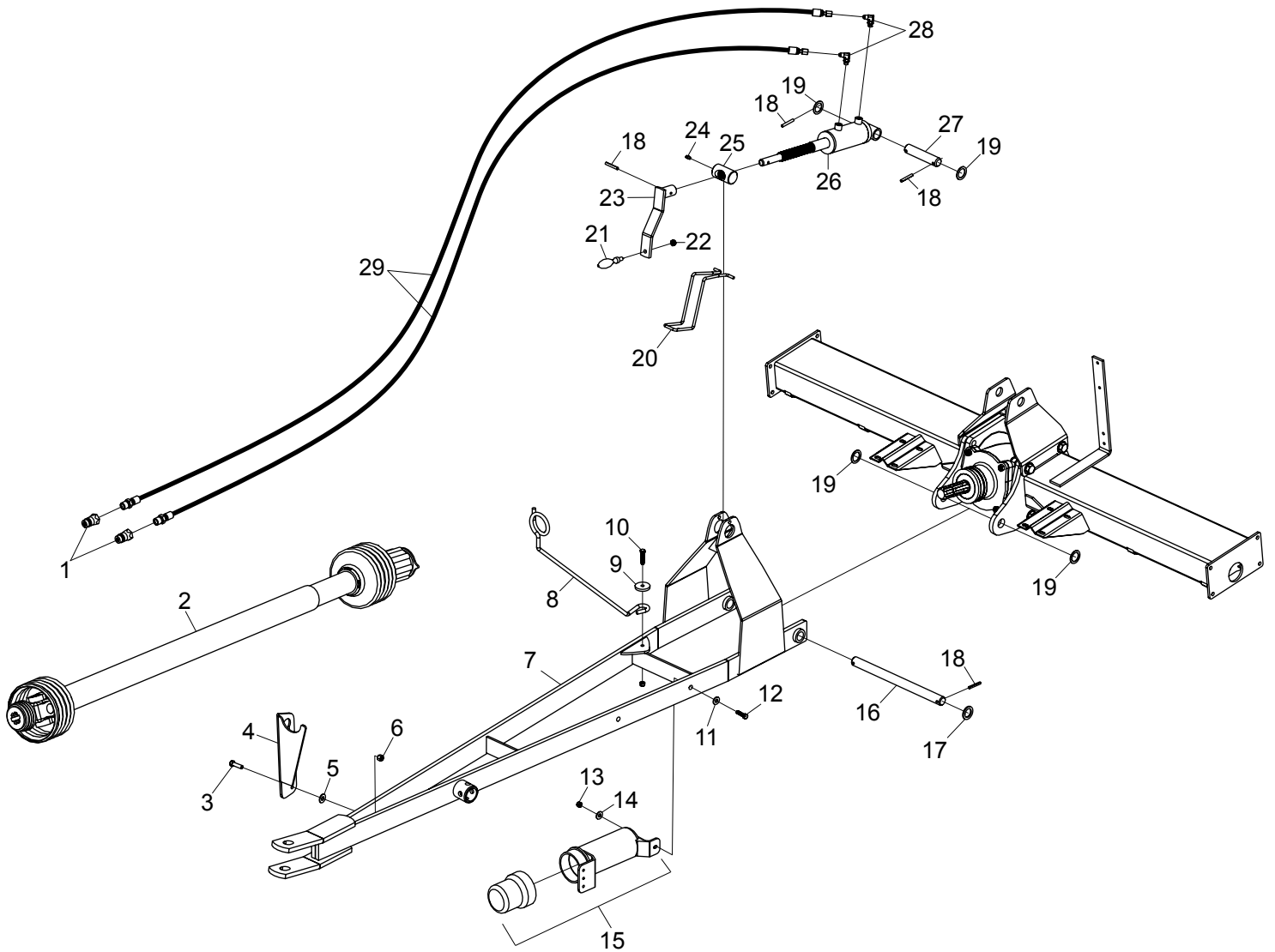


TT2100 Rotary Tedder

Illustrated Parts Breakdown

Page 1	Tongue Assembly
Page 2	Main Assembly
Page 3	Rotor and Tine Assembly
Page 4	Axle and Wheel
Page 5	Guard Assembly
Page 6	Input Gearbox
Page 7	Rotor Gearbox
Page 8	PTO Shaft

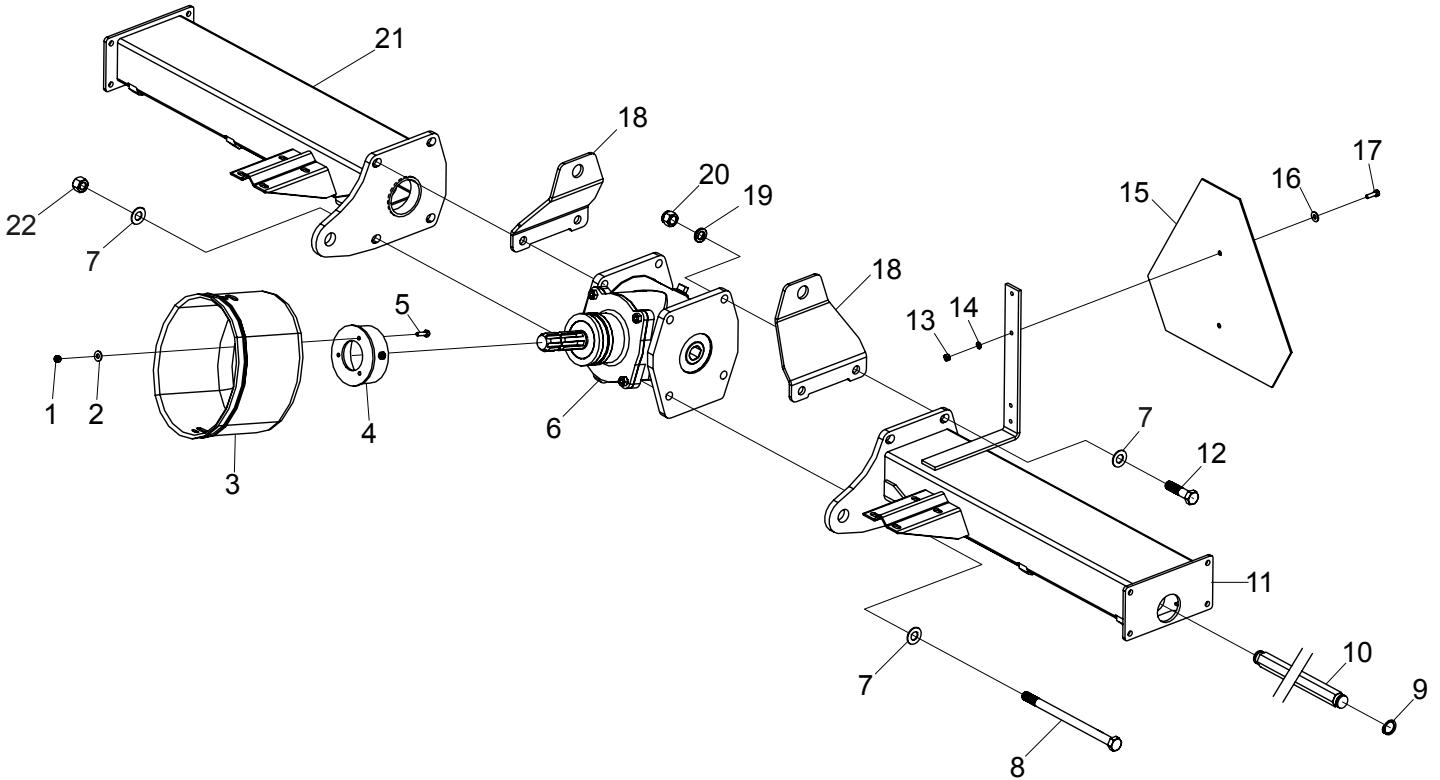
Tongue Assembly



Ref#	Description	Part#
1	1/2" Male AG Coupler	290105
2	PTO Shaft Assembly Complete	701034
3	3/8" x 1-1/4" Hex Head Bolt	000275
4	PTO Stand	500015
5	3/8" USS Flat Washer	001035
6	3/8" Nylon Lock Nut	003000
7	Tongue Weld Assembly	703080
8	Hose Support	502288
9	Hose Support Hold Down Washer	502308
10	5/16" x 1-1/2" Hex Head Bolt	000225
11	5/16" USS Flat Washer	001030
12	5/16" x 1-1/4" Hex Head Bolt	000230
13	5/16" Nylon Lock Nut	002999
14	5/16" USS Flat Washer	001030

Ref#	Description	Part#
15	Owner's Manual Canister	503050
16	Tongue Pin, 1" x 13.25"	703669
17	1" x 1-1/2" Machinery Bushing, 10 Ga.	001006
18	1/2" x 1-3/4" Roll Pin	500187
19	1" x 1-1/2" Machinery Bushing, 14 Ga.	001008
20	Cylinder Handle Lock	702713
21	Stainless Steel Handle	502149
22	3/8" Nylon Jam Nut	000920
23	Tilt Cylinder Handle Weld Assembly	503037
24	1/4" Drive Grease Fitting	400117
25	Threaded Cylinder Mount	502218
26	Tilt Cylinder	703604
27	Tilt Cylinder Pin, 1" x 4.75"	701021
28	90 Degree Elbox, #4 MJ x #4 MB	700948
29	118" x 1/4" Hose Assembly	701039

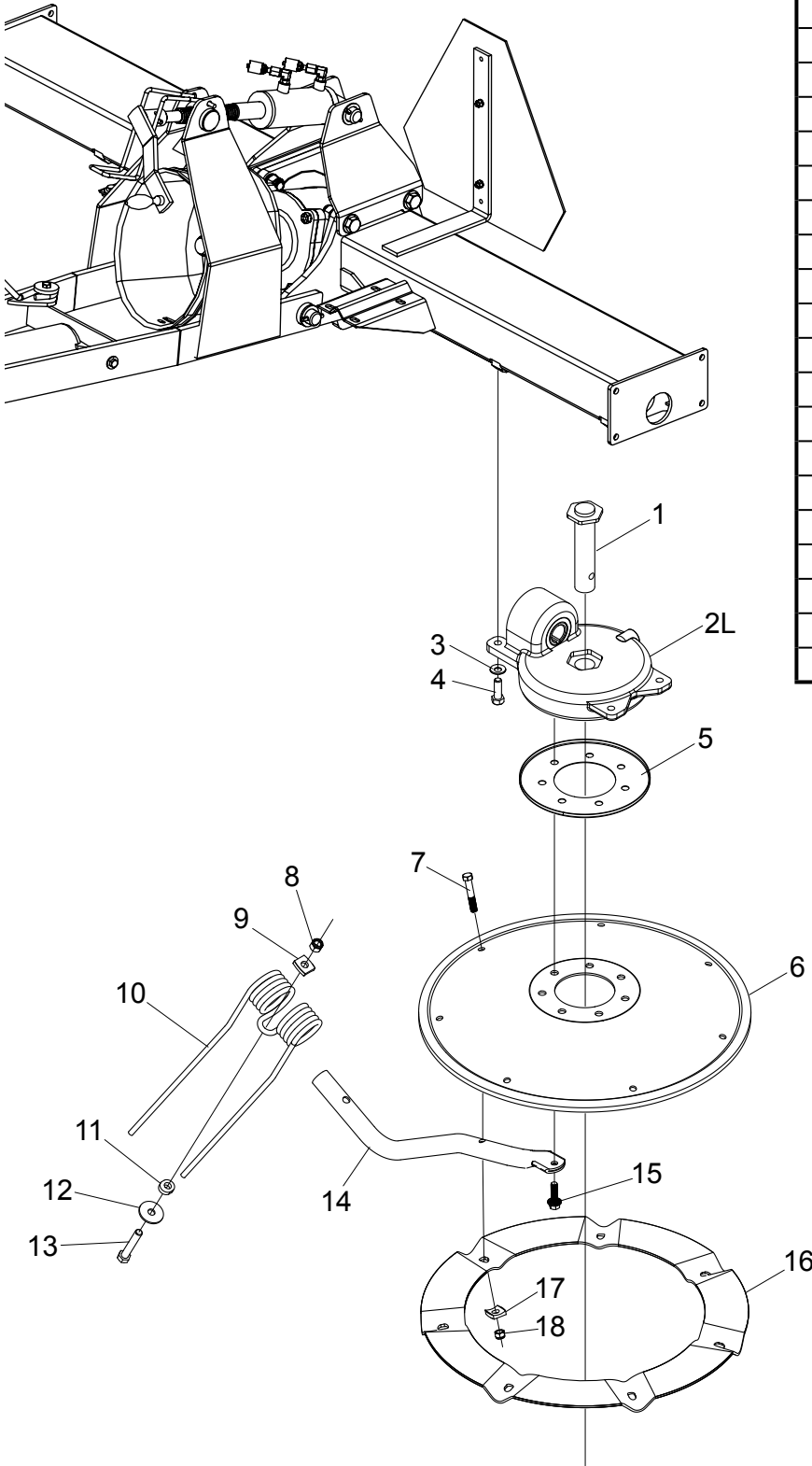
Main Assembly



Ref#	Description	Part#
1	1/4" Nylon Lock Nut	003001
2	1/4" USS Flat Washer	001020
3	PTO Shield	701205
4	PTO Shield Mounting Bracket	703145
5	1/4" x 7/8" Hex Head Bolt, Gr. 5	000180
6	Complete Center Gearbox	702846
7	5/8" SAE Flat Washer	001076
8	5/8" x 10" Hex Head Bolt, Gr. 5	000690
9	1" Heavy Duty External Retaining Ring	702883
10	TT2100 Center Hex Shaft (1" x 61.75")	703063
11	Left Gearbox Weld Assembly	703675

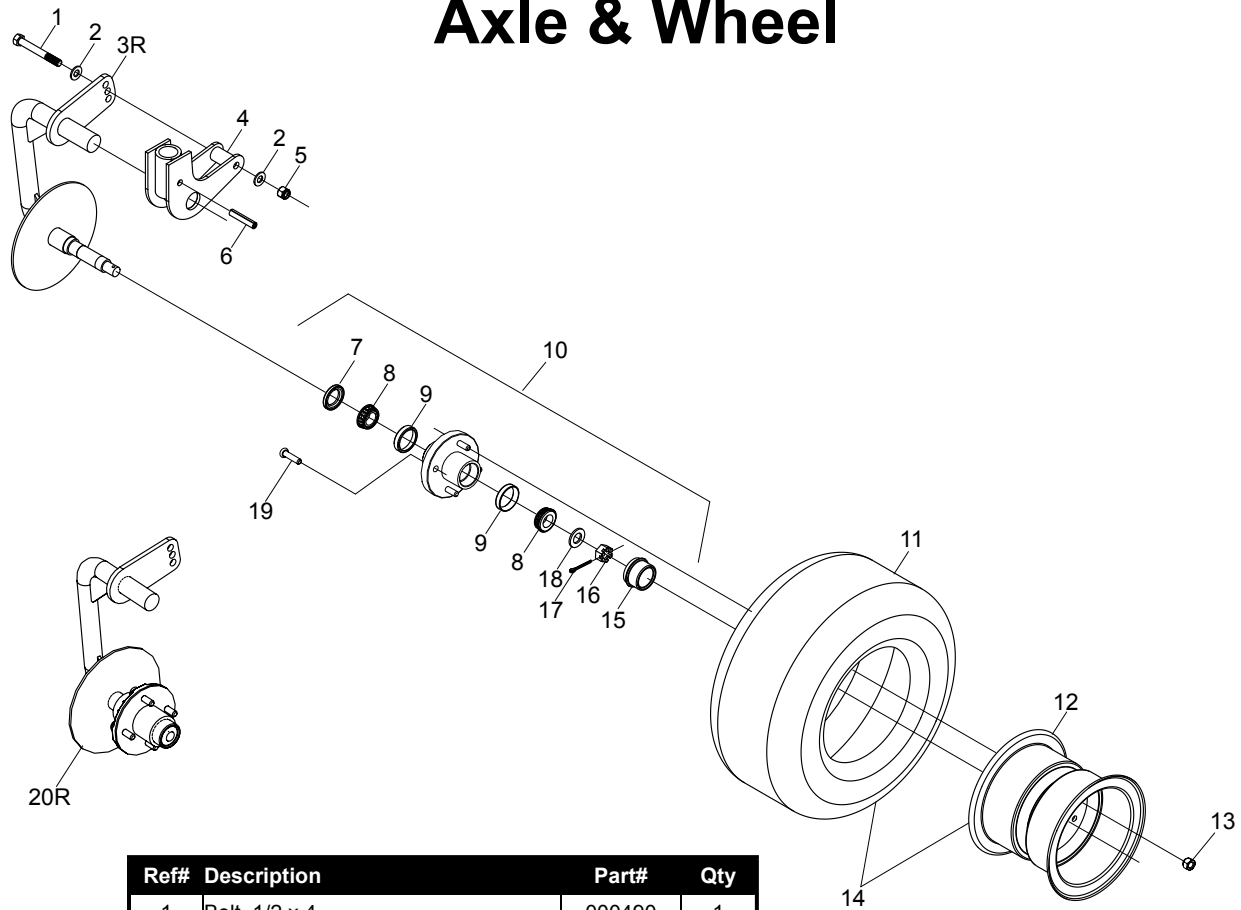
Ref#	Description	Part#
12	5/8" x 2-1/2" Hex Head Bolt	000620
13	1/4" Hex Nut	000900
14	1/4" Split Lock Washer	000805
15	SMV Triangle	507166
16	1/4" Nylon Lock Nut	001020
17	1/4" x 7/8" Hex Head Bolt, Gr. 5	000180
18	Pitch Bracket	703665
19	5/8" Lock Washer	000860
20	5/8" Nylon Lock Nut	000972
22	Right Gearbox Weld Assembly	703676
23	5/8" Stover Lock Nut	900145

Rotor and Tine Assembly



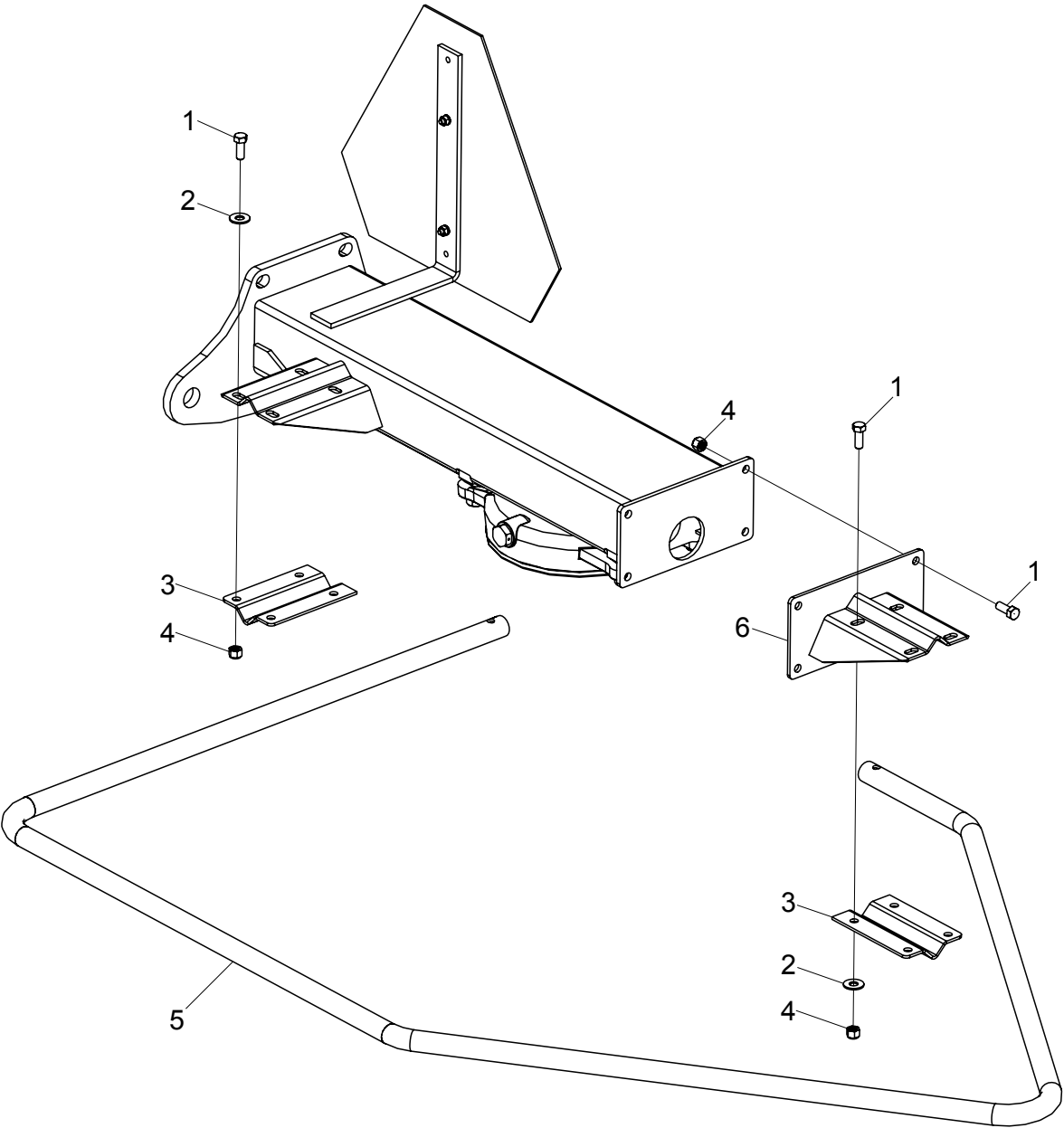
Ref#	Description	Part#
1	Spindle Shaft	702674
2L	Rotary Gearbox, Left (CW Rotation)	702849
2R	Rotary Gearbox, Right (CCW Rotation)	702848
3	1/2" Serrated Safety Washer	702821
4	1/2" x 1-1/2" Hex Head Bolt, Gr. 5	000435
5	Hay Wrap Guard	702734
6	Tine Mounting Plate	702714
7	7/16" x 2-1/2" Hex Head Bolt, Gr. 5	000375
8	1/2" Nylon Locknut	000950
9	Radius Washer	701008
10L	Gray Tine (CW Rotation)	700929
10R	Black Tine (CCW Rotation)	700901
11	Tine Pitch Washer	701005
12	Bottom Tine Washer	701004
13	1/2" x 3" Hex Head Bolt, Gr. 8	000471
14	Tine Arm	702718
15	7/16" x 1-1/2" Hex Head Flange Bolt, Gr. 5	000725
16	Tine Arm Ring	700942
17	Radius Washer	701008
18	7/16" Nylon Locknut	000385

Axle & Wheel



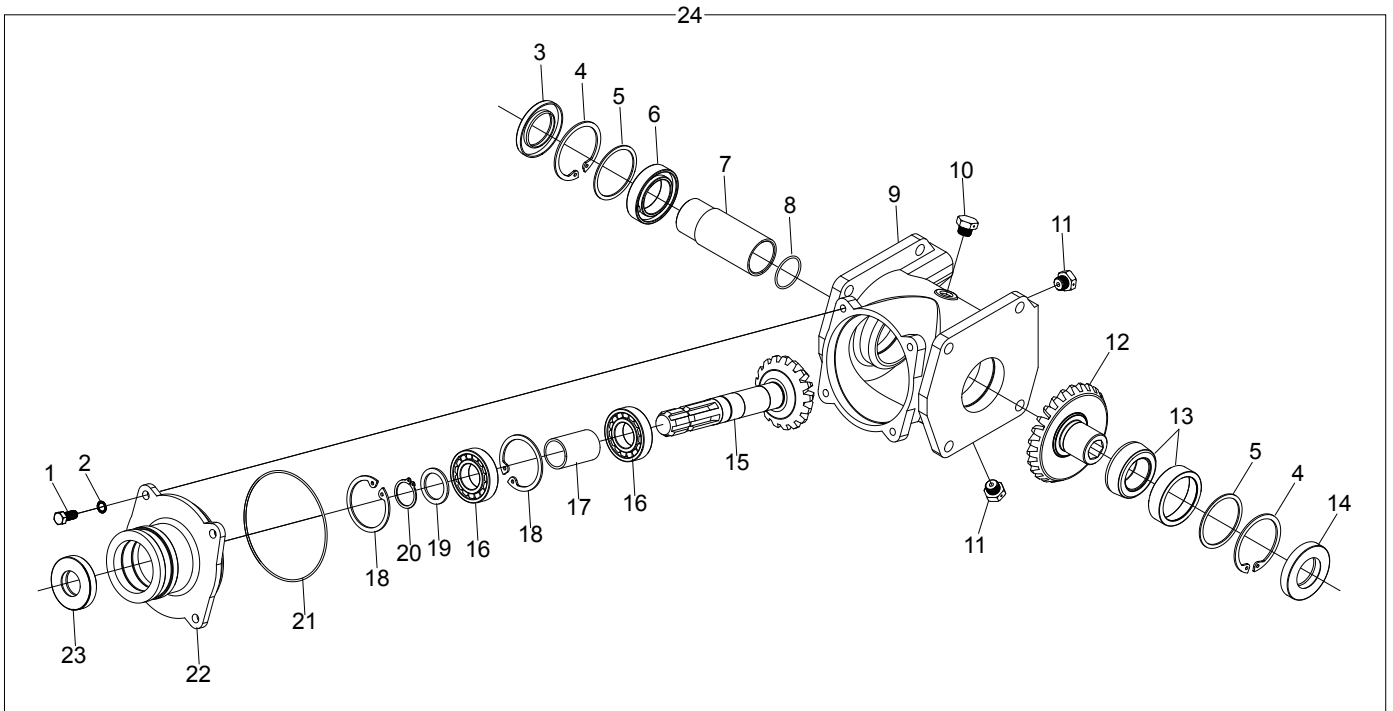
Ref#	Description	Part#	Qty
1	Bolt, 1/2 x 4	000490	1
2	SAE Washer, 1/2	001061	2
3R	Spindle Assembly, Right	702825	1
3L	Spindle Assembly, Left	702824	1
4	Spindle Bracket	702729	1
5	Nylon Locknut, 1/2	000950	1
6	Spirol Roll Pin	702019	1
7	Grease Seal	500201	1
8	Bearing, L44643	500202	2
9	Race, L44610	500204	2
10	Complete Hub	500199	1
11	Tire	500221	1
12	Rim	500222	1
13	Lug Bolt (for threaded hub)	500210	4
	Lug Nut (for drive in stud)	508506	
14	Tire and Wheel	500220	1
15	Dust Cap	500209	1
16	Spindle Nut	500207	1
17	Cotter Pin	500208	1
18	Spindle Washer	500206	1
19	Drive-In Stud	508505	4
20R	Right Spindle and Hub Assembly	702913	1
20L	Left Spindle and Hub Assembly	702912	1

Guard Assembly



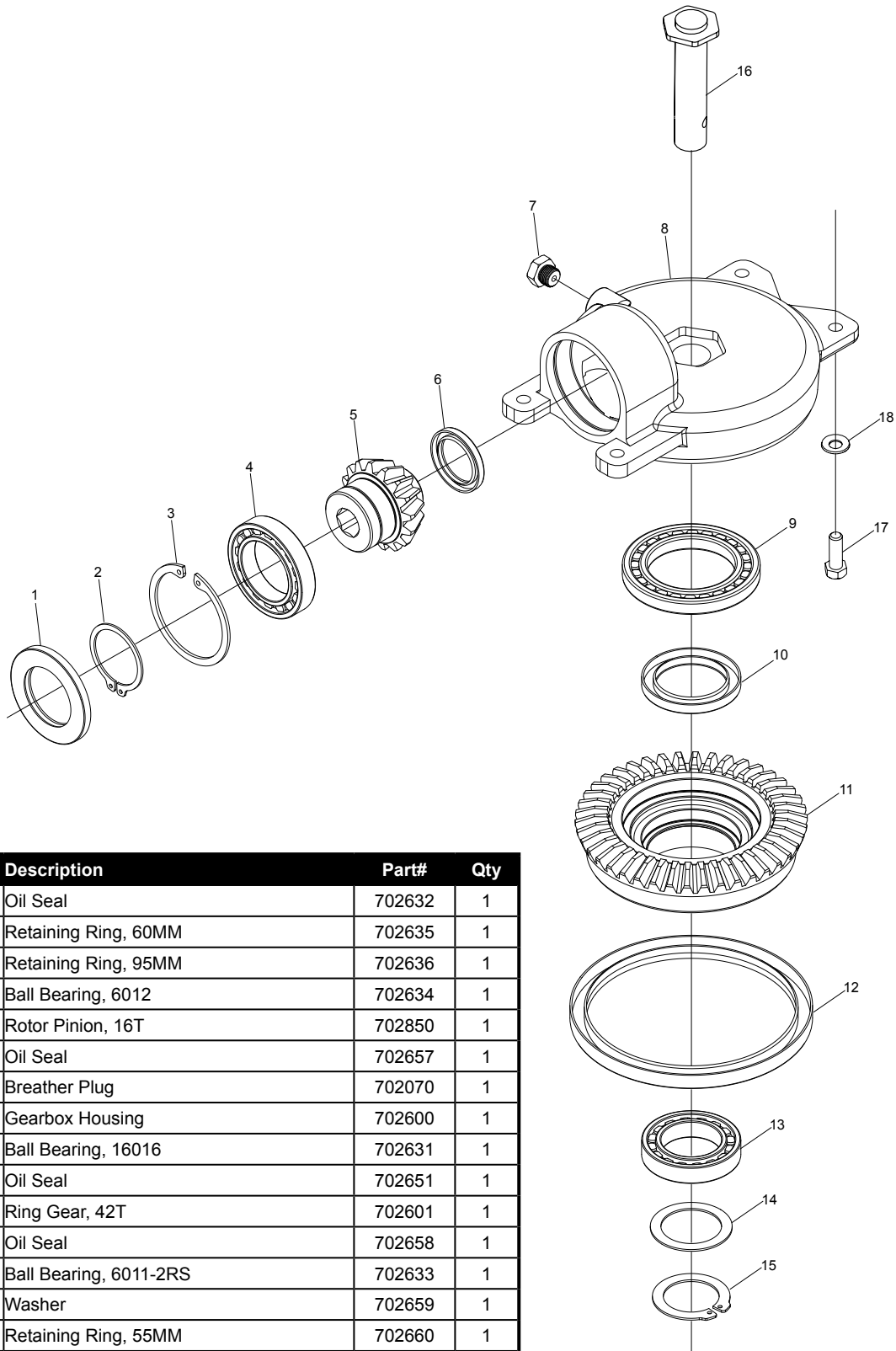
Ref#	Description	Part#
1	3/8" x 1" Hex Head Bolt, Gr. 5	000270
2	3/8" USS Flat Washer	001035
3	Guard Cradle	702696
4	3/8" Nylon Lock Nut	003000
5	TT2100 Guard	703686
6	Guard Sleeve Weldment	702704

Input Gearbox Assembly



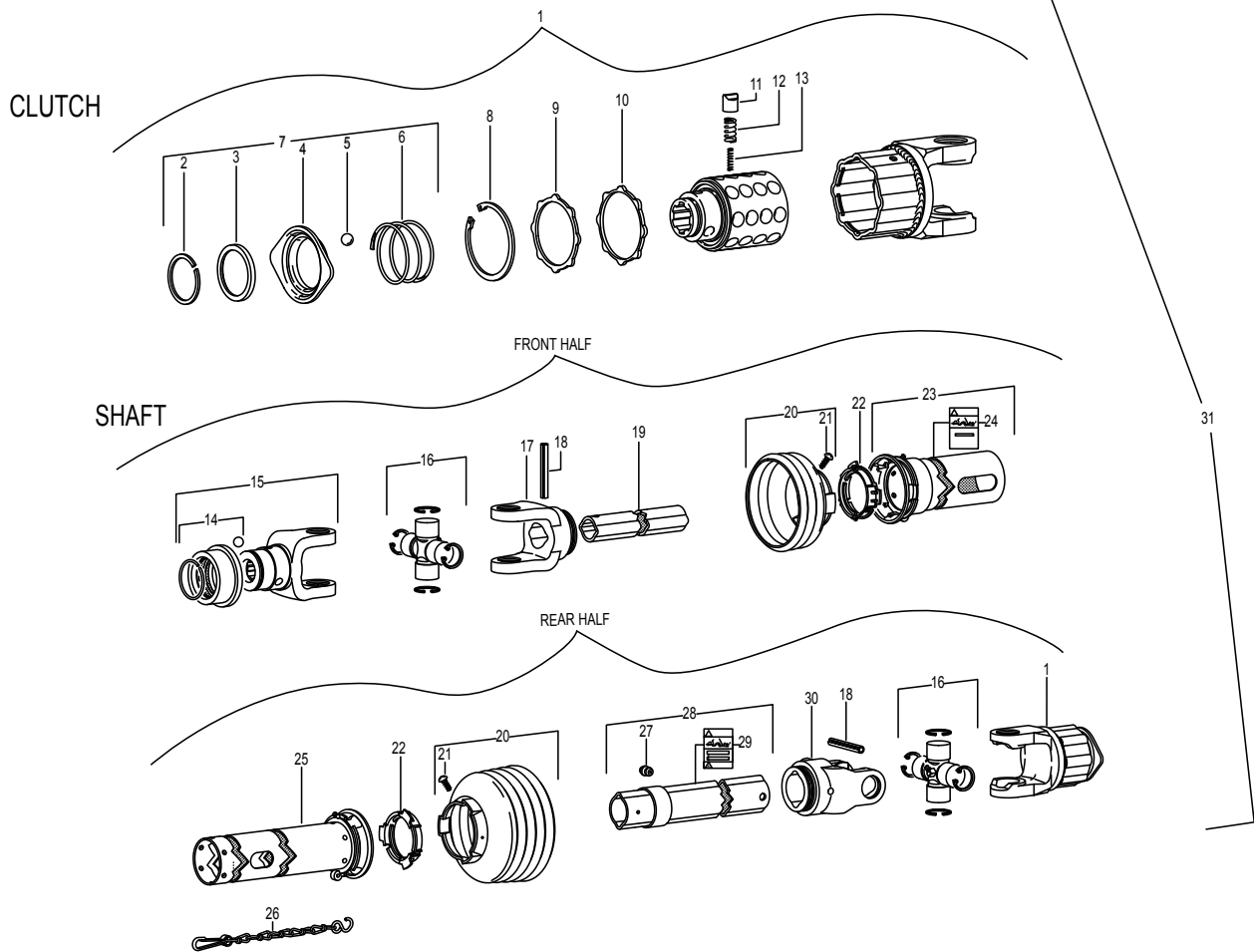
Ref#	Description	Part#	Qty
1	Bolt, 7/16 x 1 Gr. 8	000349	4
2	Safety Washer, 7/16	702663	4
3	Oil Seal	702654	1
4	Retaining Ring, 80MM	702643	2
5	Spacer Washer	702661	2
6	Ball Bearing, 6010	702638	1
7	Gear Spacer	702847	1
8	O-Ring	702646	1
9	Gearbox Housing	702615	1
10	Breather Plug	703116	1
11	Plug	703115	2
12	26T Gear	702845	1
13	Tapered Bearing Set, 33109	702841	1
14	Oil Seal	702655	1
15	Input Shaft, 17T	702647	1
16	Ball Bearing, 6207	702644	2
17	Bearing Spacer	702649	1
18	Retaining Ring, 72MM	702650	2
19	Washer	702662	1
20	Retaining Ring, 35MM	702648	1
21	O-Ring	703659	1
22	Input Shaft Housing	702645	1
23	Oil Seal	702656	1
	Complete Center Gearbox	702846	

Rotor Gearbox Assembly



Ref#	Description	Part#	Qty
1	Oil Seal	702632	1
2	Retaining Ring, 60MM	702635	1
3	Retaining Ring, 95MM	702636	1
4	Ball Bearing, 6012	702634	1
5	Rotor Pinion, 16T	702850	1
6	Oil Seal	702657	1
7	Breather Plug	702070	1
8	Gearbox Housing	702600	1
9	Ball Bearing, 16016	702631	1
10	Oil Seal	702651	1
11	Ring Gear, 42T	702601	1
12	Oil Seal	702658	1
13	Ball Bearing, 6011-2RS	702633	1
14	Washer	702659	1
15	Retaining Ring, 55MM	702660	1
	Complete Rotor Gearbox, CCW	702848	
	Complete Rotor Gearbox, CW	702849	

PTO Shaft



Ref#	Description	Part#	Qty
1	Radial Pin Clutch	702275	1
2	Retaining Ring	500048	1
3	Flanged Collar	500047	1
4	Lock Collar	500046	1
5	Ball 1/2	500044	3
6	Compression Spring	500045	1
7	Locking Flange Kit	500050	1
8	Retaining Ring	500043	1
9	Thrust Ring	500042	1
10	Plastic Seal Ring	500041	1
11	Cam	500038	32
12	Outer Compression Spring	500039	32
13	Inner Compression Spring	500040	16
14	Collar Kit	702279	1
15	Yoke, 1-3/8" 6-Spline	702270	1
16	Cross & Bearing Kit	702259	2
17	Inboard Yoke	702271	1

Ref#	Description	Part#	Qty
18	Spring Pin, 10 x 65	500031	2
19	Inner Profile	702272	1
20	Shield Cone, 5-Rib	702276	2
21	Screw	500058	2
22	Bearing Ring	500052	2
23	Outer Shield Tube	702277	1
24	Decal	500059	1
25	Inner Shield Tube	702278	1
26	Safety Chain	500060	1
27	Grease Fitting	500062	1
28	Outer Profile	702273	1
29	Decal	500061	1
30	Inboard Yoke	702274	1
31	Front Half Shaft	702280	1
32	Rear Half Shaft	702281	1
33	Complete PTO Shaft	701034	1
34	PTO Shield Kit for Bondioli PTO only	701080	1