



TT4000 Rotary Tedder

Illustrated Parts Breakdown

Page 1 Tongue Assembly

Page 2 Frame Assembly

Page 3 Rotor Assembly

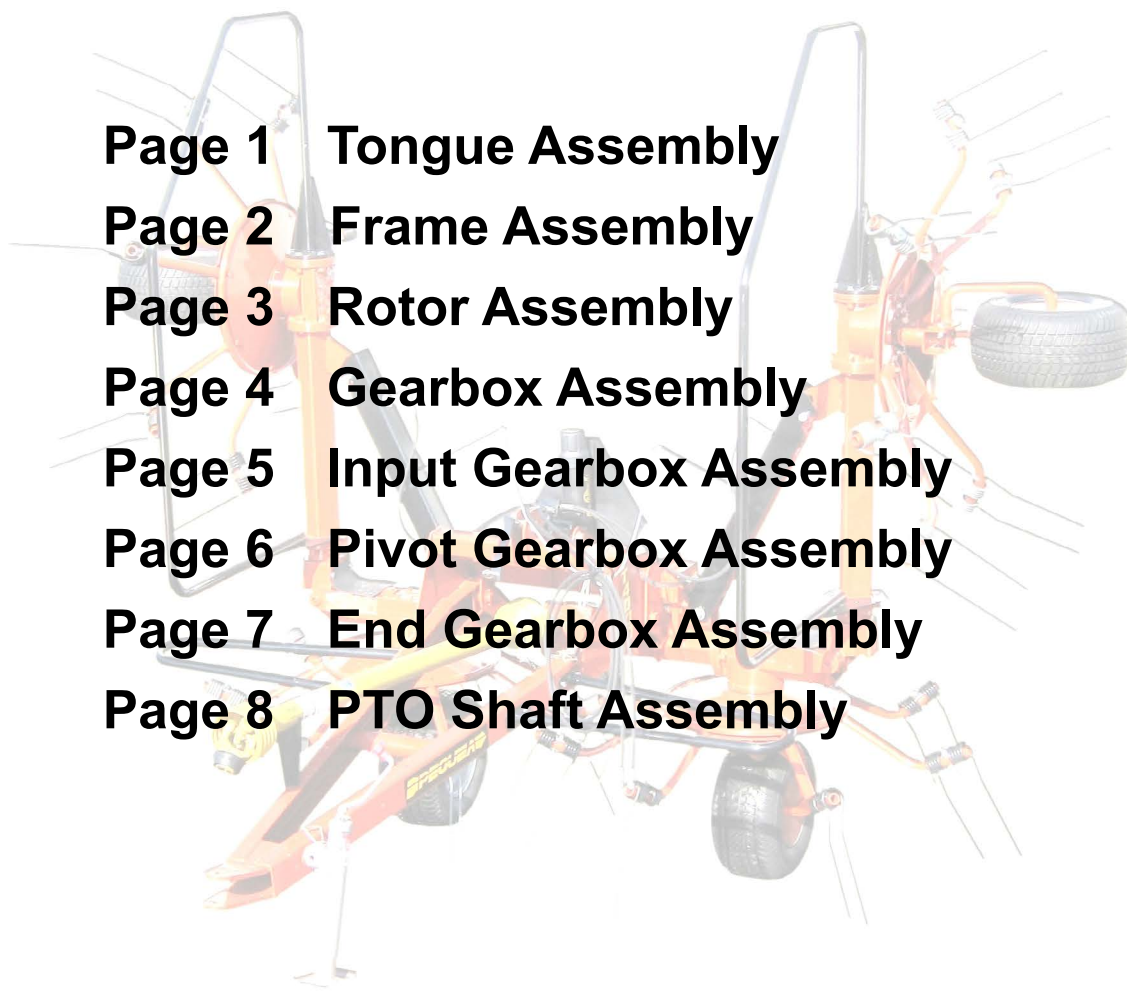
Page 4 Gearbox Assembly

Page 5 Input Gearbox Assembly

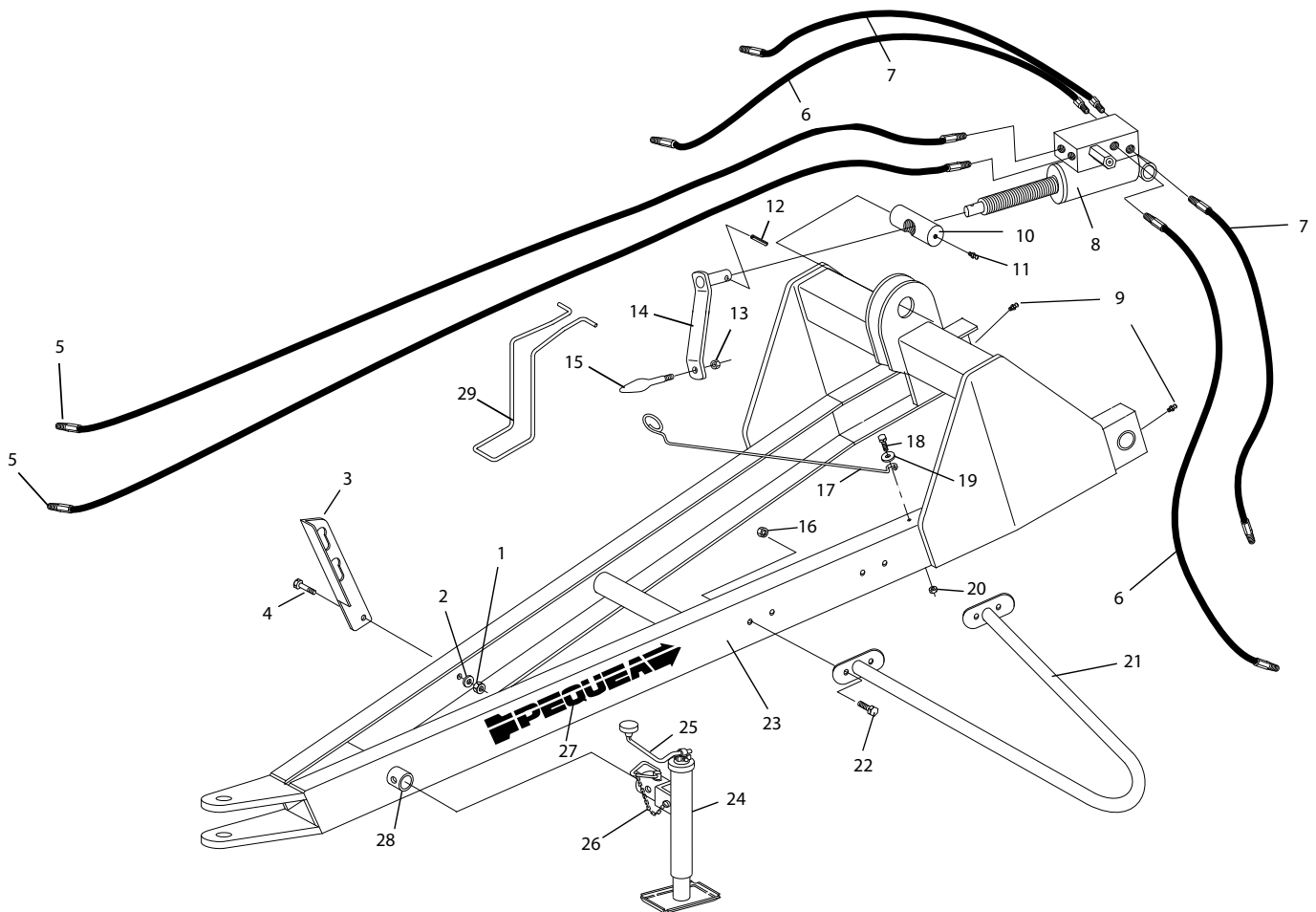
Page 6 Pivot Gearbox Assembly

Page 7 End Gearbox Assembly

Page 8 PTO Shaft Assembly



TT4000 Tongue Assembly S/N -92189

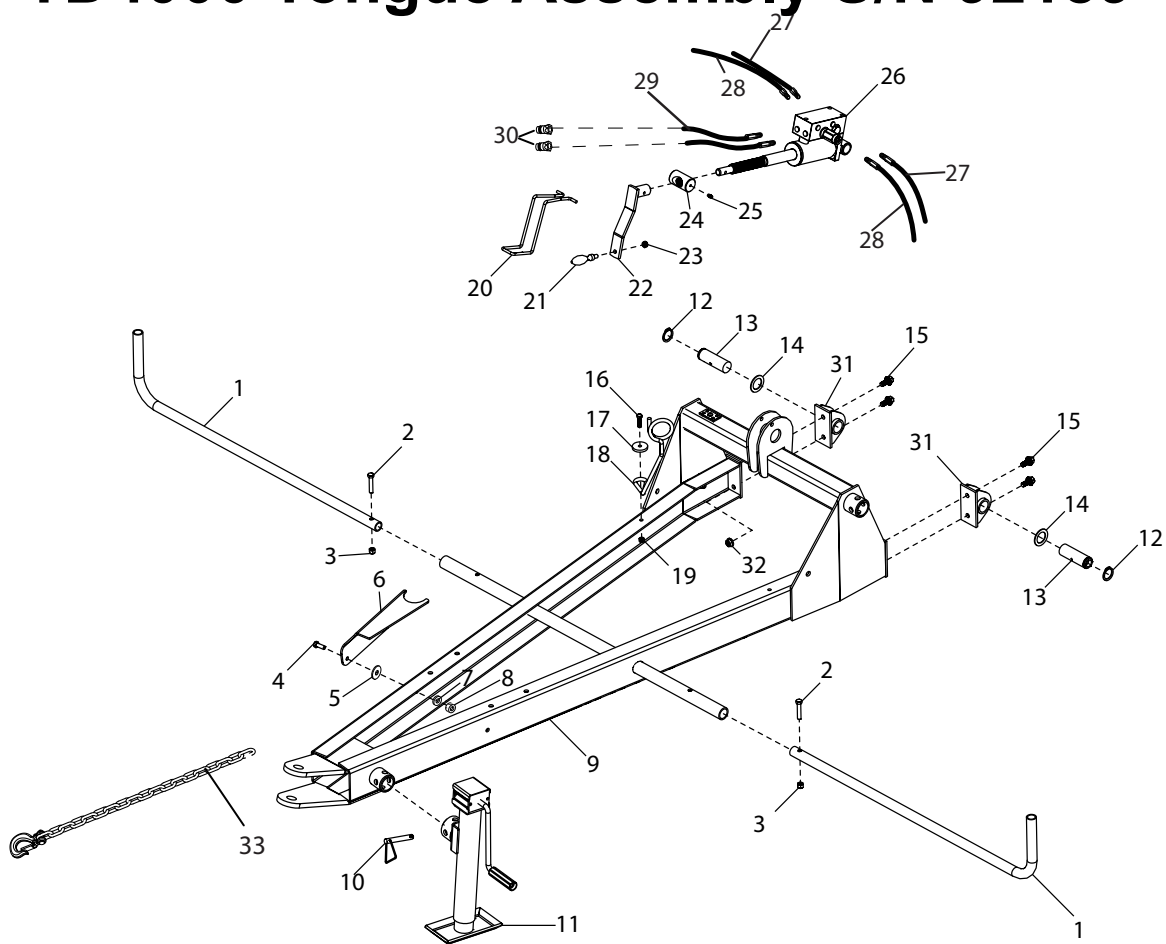


Ref#	Description	Part#
1	Hex Nut, 3/8	000915
2	Flat Washer, 3/8	001035
3	PTO Stand	500015
4	Bolt, 3/8 x 1	000270
5	Tractor Hose	701039
6	Long Cylinder Hose	701038
7	Short Cylinder Hose	701037
8	Hyd. Cylinder Complete	701033
9	Grease Zert	400117
10	Threaded Cylinder Mount	502218
11	Grease Zert	400117
12	Roll Pin, 1/4 x 1-3/4	500187
13	Nylon Jam Nut, 3/8	000920
14	Cylinder Handle	503037
15	Stainless Steel Handle	502149
16	Hex Nut, 3/8	000915

Ref#	Description	Part#
17	Hose Support	502288
18	Bolt, 5/16 x 1-1/4	000230
19	Heavy Washer	502308
20	Lock Nut, 5/16	002999
21	Inner Guard	701020
22	Bolt 3/8 x 1	000270
23	Tongue Assembly	700936
24a	Complete Jack (Top Wind)	500009
24b	Complete Jack (Side Wind)	903317
25a	Jack Handle (Top Wind)	500010
25b	Jack Handle (Side Wind)	903318
26	Pin and Chain	500012
27	Decal Kit, TT4000	701047
28	Jack Mount Bracket	500005
29	Cylinder Handle Lock	702713

* Top or side wind jacks fit on same mounting stub

TD4000 Tongue Assembly S/N 92189+

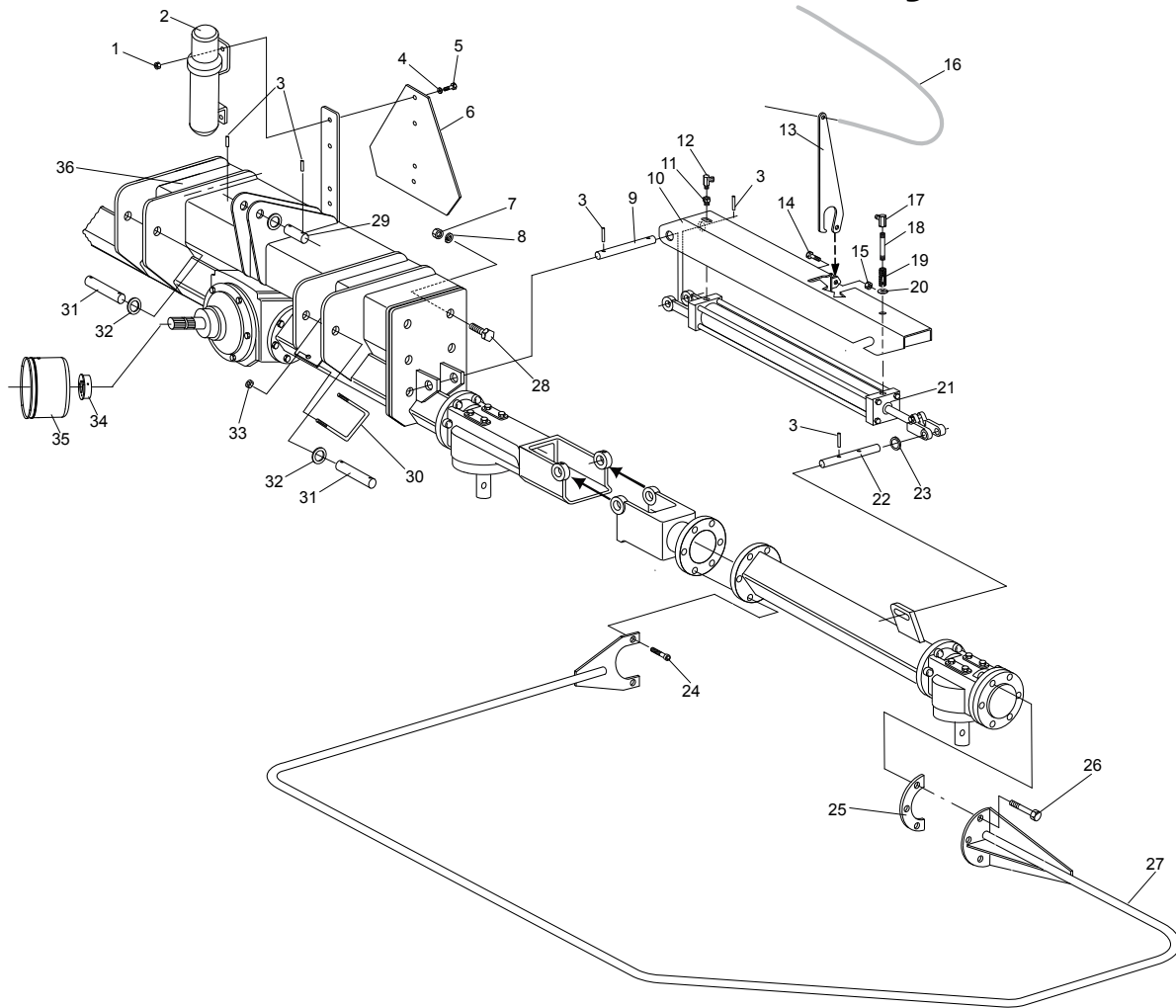


Ref#	Description	Part#
1	Front Guard	702755
2	3/8" x 2" HH Bolt	000286
3	3/8" Nylon Lock Nut	003000
4	Bolt, 3/8 x 1	000270
5	3/8" Flat Washer	001035
6	PTO Stand	500015
7	3/8" Lock Washer	000820
8	3/8" Nut	003000
9	Tongue Weldment	703105
10	Jack Mount Pin	100748
11	2K Side Wind Jack	903290

Ref#	Description	Part#
12	External Retaining Ring, 1.25	702826
13	Tongue Pivot Pin	702829
14	Machinery Bushing, 1.25	500185
15	Stainless Steel Handle	000724
16	Hex Nut, 3/8	000915
17	Bolt, 5/16 x 1-1/4	000230
18	Heavy Washer	502308
19	Lock Nut, 5/16	002999
20	Cylinder Handle Lock	702713
21	Stainless Steel Handle	502149
22	Front Cyl. Handle Weldment	503037
23	3/8" Nylon Jam Nut	000920
24	Threaded Cylinder Mount	502218
25	1/4" Grease Fitting	400117
26	Front Tilt Cylinder and Manifold	701033
27	Short Cylinder Hose	701037
28	Long Cylinder Hose	701038
29	Tractor Hose	701039
30	Male Hydraulic Coupler	290105

* Top or side wind jacks fit on same mounting stub

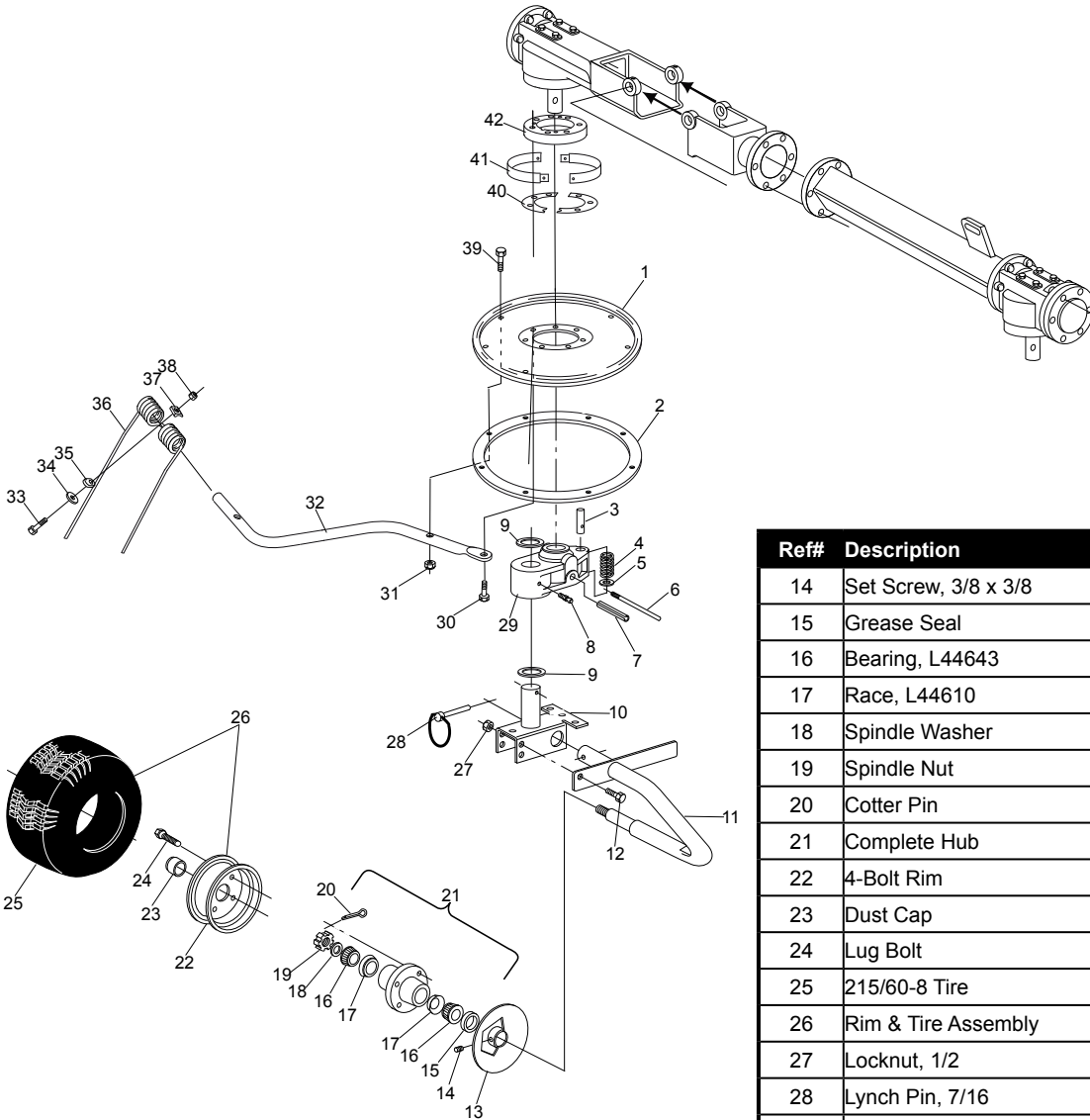
TT4000 Frame Assembly



Ref#	Description	Part#
1	Hex Nut, 1/4	000900
2	Owner's Manual Canister	503050
3	Roll Pin, 1/4 x 1-3/4	500187
4	Flatwasher, 1/4	001020
5	Bolt, 1/4 x 1	100148
6	SMV Emblem	507166
7	Nut, 5/8	000970
8	Nlock Washer, 5/8	000860
9	Cylinder Pin	701016
10a	Safety Latch, Left	701030
10b	Safety Latch, Right	701031
11	Reducer Bushing	701012
12	Hydraulic Elbow Fitting	701045
13	Safety Latch Trip	701011
14	Bolt, 5/16 x 1-1/4	000230
15	Locknut, 5/16	002999
16	Trip Rope	701036
17	Hydraulic Elbow Fitting	701044
18	Pipe Nipple	701042
19	Compression Spring	701073
20	Flatwasher, 3/4	001085
21	Cylinder	701040
22	Cylinder Pin	701017
23	Machinery Bushing	001006
24	Bolt, M10 x 40	002415
25	Spacer	701006
26	Bolt, m10 x 25	002405
27a	Outer Guard, Left	701056
27b	Outer Guard, Right	701057
28	Bolt, 5/8 x 1-1/2	000610
29	Cylinder Pin	701021
30	U-Bolt	000535
31	Tongue/Tunnel Pin	701035
32	Machinery Bushing	500185
33	Nut, 1/2	000940
34	Shield Mounting Bracket	701303
35	Shield	701205
36	Tunnel Assembly	700922

Ref#	Description	Part#
19	Compression Spring	701073
20	Flatwasher, 3/4	001085
21	Cylinder	701040
22	Cylinder Pin	701017
23	Machinery Bushing	001006
24	Bolt, M10 x 40	002415
25	Spacer	701006
26	Bolt, m10 x 25	002405
27a	Outer Guard, Left	701056
27b	Outer Guard, Right	701057
28	Bolt, 5/8 x 1-1/2	000610
29	Cylinder Pin	701021
30	U-Bolt	000535
31	Tongue/Tunnel Pin	701035
32	Machinery Bushing	500185
33	Nut, 1/2	000940
34	Shield Mounting Bracket	701303
35	Shield	701205
36	Tunnel Assembly	700922

TT4000 Rotor Assembly

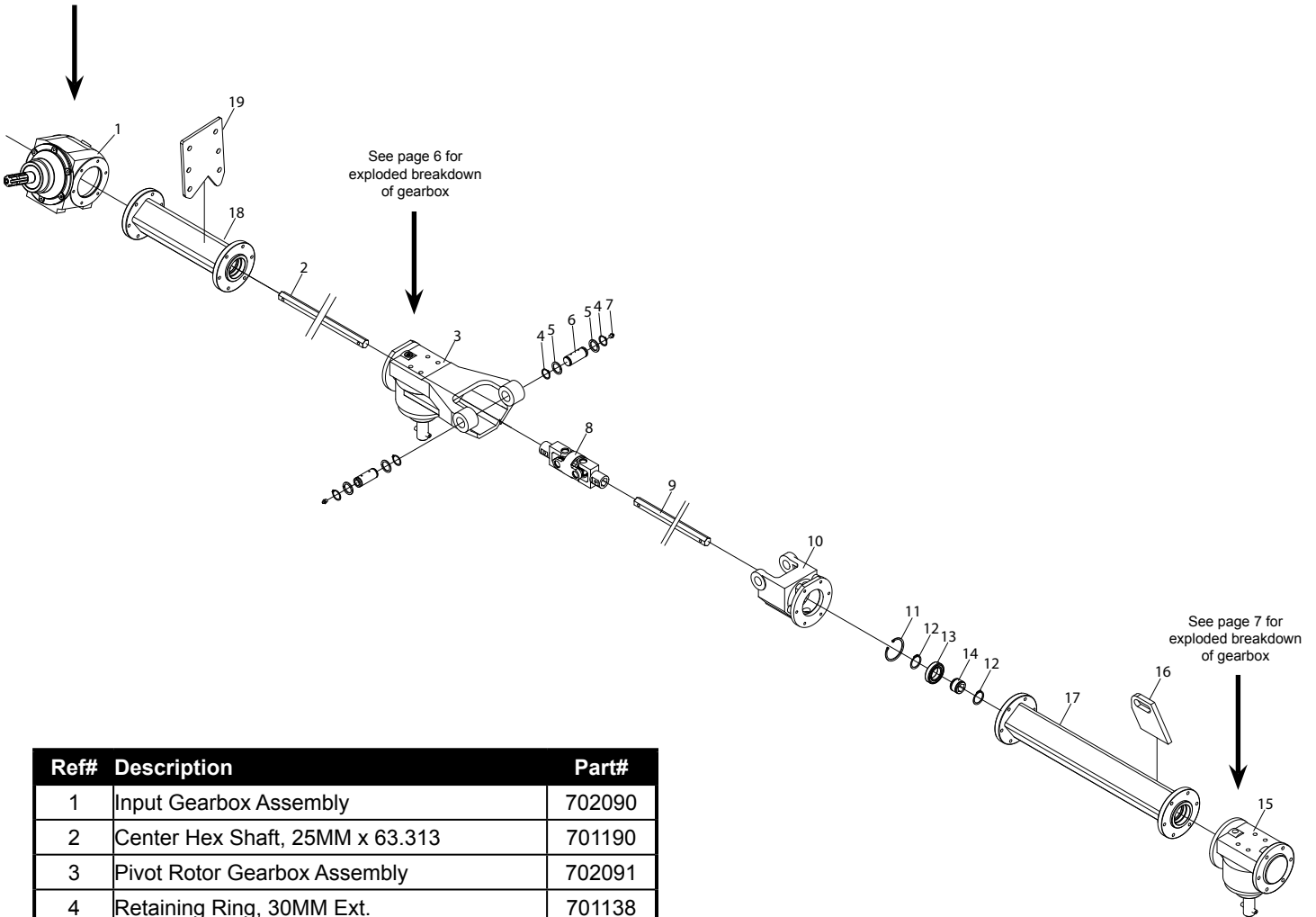


Ref#	Description	Part#
*1	Tine Mounting Plate (S/N 20000-30285)	701100
*1	Tine Mounting Plate (S/N 30286+)	700950
*2	Retaining Plate (S/N 20000-30285)	701300
*2	Retaining Plate (S/N 30286+)	700942
3	Spindle Adjustment Pin	701026
4	Spindle Adjustment Spring	701027
5	Washer	401442
6	Spindle Adjustment Handle	701025
7	Roll Pin, M12 x 60	702019
8	Grease Fitting, M8 x 1	702015
9	1-3/8 Machinery Bushing	001510
10	Spindle Mount Assembly	700913
11a	Spindle Assembly, Left	700960
11b	Spindle Assembly, Right	700961
12	Bolt, 1/2 x 1-1/4	000421
13	Wheel Cover	701002

Ref#	Description	Part#
14	Set Screw, 3/8 x 3/8	001130
15	Grease Seal	500201
16	Bearing, L44643	500202
17	Race, L44610	500204
18	Spindle Washer	500206
19	Spindle Nut	500207
20	Cotter Pin	500208
21	Complete Hub	500199
22	4-Bolt Rim	500222
23	Dust Cap	500209
24	Lug Bolt	500210
25	215/60-8 Tire	500221
26	Rim & Tire Assembly	500220
27	Locknut, 1/2	000950
28	Lynch Pin, 7/16	701048
29	Spindle Connector Assembly	701200
30	7/16 x 1-1/2 Flange Bolt	000725
31	Locknut, 7/16	000385
*32	Tine Arm (S/N 20000-30285)	701001
*32	Tine Arm (S/N 30286-40000)	701170
*32	Tine Arm (S/N 40001+)	701207
33	Bolt, 1/2 x 3 Grade 8	000471
34	Bottom Tine Washer	701004
35	Tine Pitch Adjustment Washer	701005
36a	Gray Tine, Clockwise Rotation	700929
36b	Black Tine, Counter Clockwise Rotation	700901
37	Radius Washer	701008
38	Locknut, 1/2	000950
39	Bolt, 7/16 x 2-1/2	000375
40	Retaining Plate	700943
41	Hay Guard (half circle)	701185
	Hay Guard Kit (2 halves plus hdwr)	701185K
42	Rake Flange	702002

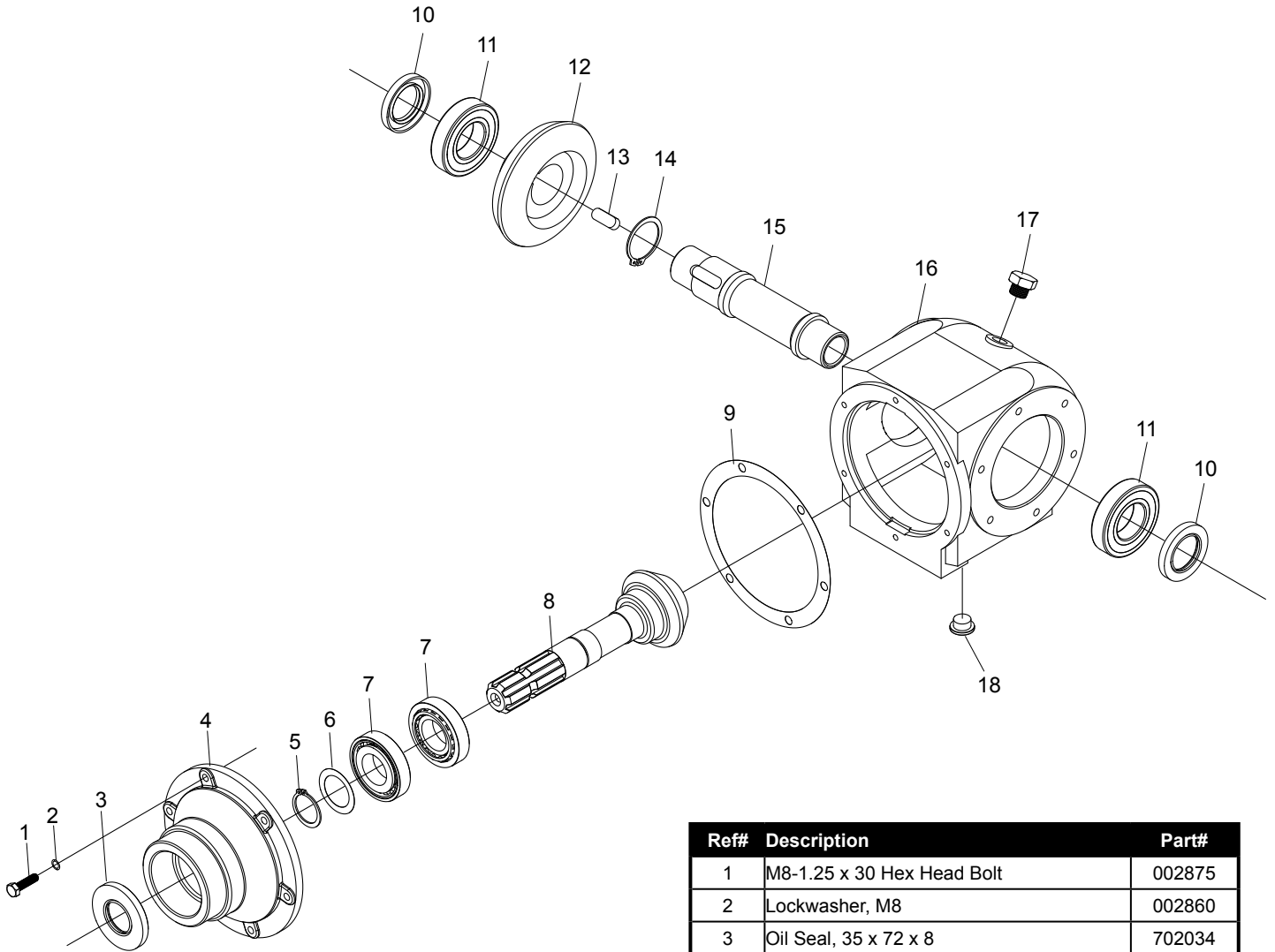
TT4000 Gearbox Assembly

See page 5 for exploded breakdown of gearbox



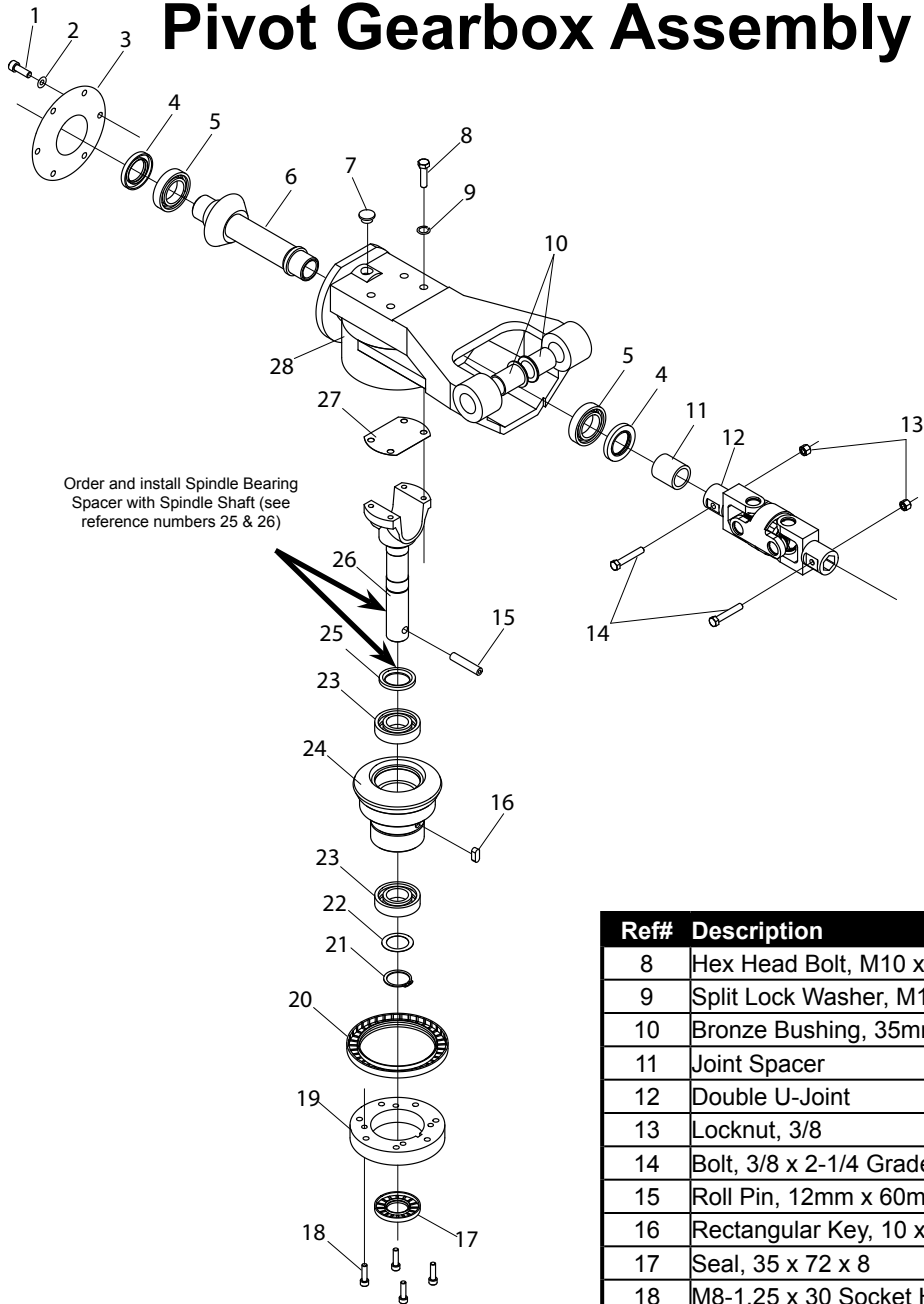
Ref#	Description	Part#
1	Input Gearbox Assembly	702090
2	Center Hex Shaft, 25MM x 63.313	701190
3	Pivot Rotor Gearbox Assembly	702091
4	Retaining Ring, 30MM Ext.	701138
5a	Machinery Bushing 14ga.	701148
5b	Machinery Bushing 10ga.	701147
6a	Pivot Pin, S/N -30285	701145
6b	Pivot Pin, S/N 30285+	701188
7	Grease Fitting	400117
8	Double U-Joint Assembly	701107
9	Outer Hex Shaft, 25MM x 37.000	701191
10	Pivot Casting	702057
11	Retaining Ring, 68MM Int.	702003
12	Retaining Ring, 40MM Ext.	702007
13	Ball Bearing, 6008-2RS	702040
14	Bushing, 25mm Hex Bore, 40mm OD	702039
15	Outer Rotor Gearbox Assembly	702092
16	Outside Cylinder Mount	701010
17	Outside Connector Tube	701163
18	Center Connector Tube	701160
19	Tunnel Mounting Bracket	700923

Input Gearbox Assembly



Ref#	Description	Part#
1	M8-1.25 x 30 Hex Head Bolt	002875
2	Lockwasher, M8	002860
3	Oil Seal, 35 x 72 x 8	702034
4	Cap, Cantilevered	702059
5	Retaining Ring, 35MM Ext.	702005
6a	Shim, 0.2MM	702022
6b	Shim, 0.3MM	702021
7	Bearing & Race, 30207	702042
8	Pinion, 20 Tooth 1-3/8 - 6A Spline	702056
9a	Shim, Cantilevered Cap 0.1MM	702033
9b	Shim, Cantilevered Cap 0.2MM	702032
9c	Shim, Cantilevered Cap 0.5MM	702031
10	Seal, 40 x 62 x 8	702036
11	Ball Bearing, 6208	702045
12	Gear, 35 Tooth	702053
13	Rectangular Key, 12 x 8 x 32	702023
14	Retaining Ring, 45MM Ext.	702006
15	Shaft, Hex Bore	702047
16	Housing, HT75B	702062
17	Breather Plug	702070
18	Hex Plug	702012

Pivot Gearbox Assembly

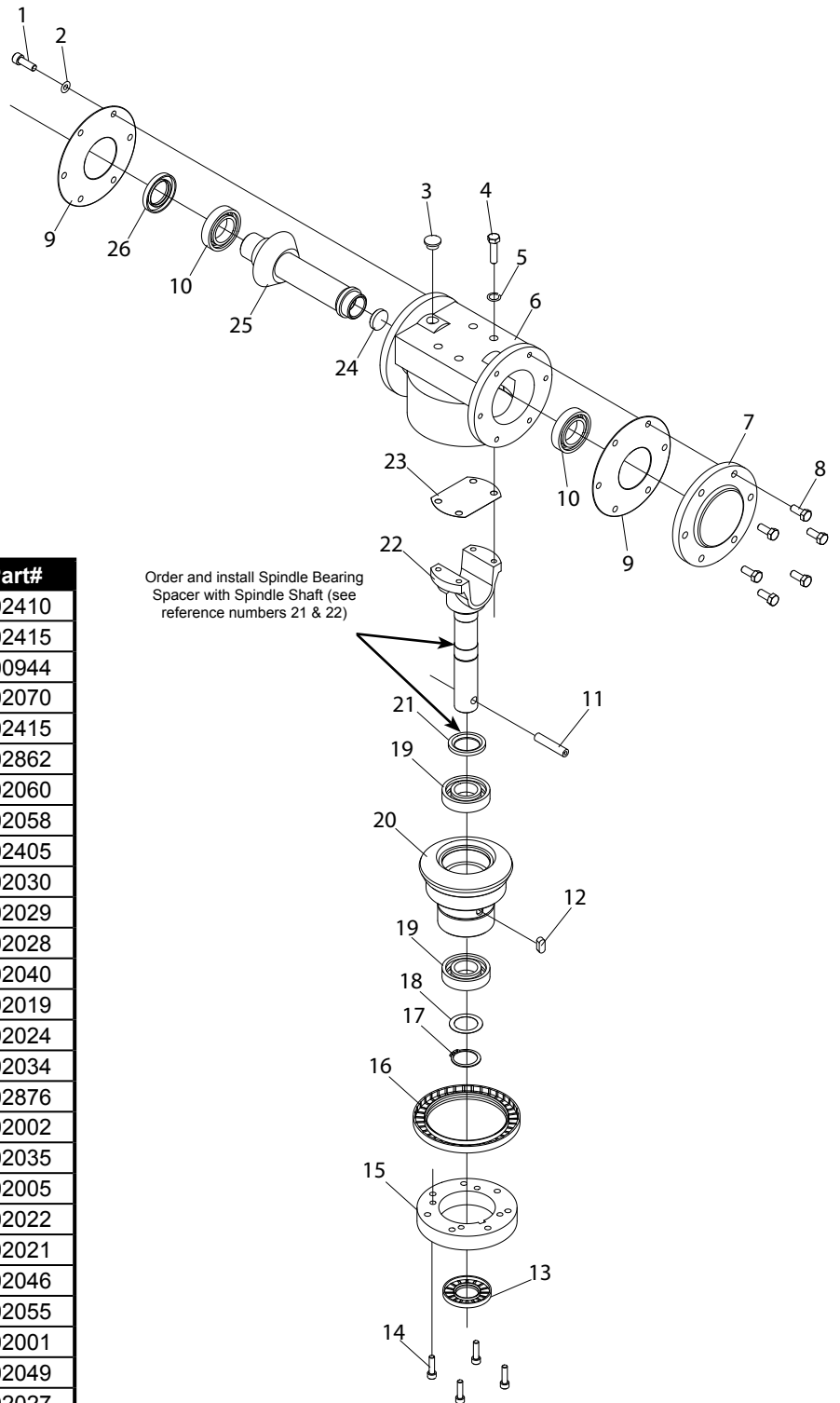


Ref#	Description	Part#
1a	**Socket Head Bolt, M10 x 30	002410
1b	**Hex Head Bolt, M10 x 40	002415
2	M10 Nord-Lock Washer	700944
3a	Shim, 0.1mm	702030
3b	Shim, 0.2mm	702029
3c	Shim, 0.5mm	702028
4	Seal, 40 x 62 x 8	702036
5	Ball Bearing, 6008	702040
6	Pinion, Inboard - 20 Tooth	702052
7	Breather Plug	702070

Ref#	Description	Part#
8	Hex Head Bolt, M10 x 40	002415
9	Split Lock Washer, M10	002862
10	Bronze Bushing, 35mm x 30mm	702041
11	Joint Spacer	701197
12	Double U-Joint	701107
13	Locknut, 3/8	003000
14	Bolt, 3/8 x 2-1/4 Grade 8	000345
15	Roll Pin, 12mm x 60mm	702019
16	Rectangular Key, 10 x 8 x 20	702024
17	Seal, 35 x 72 x 8	702034
18	M8-1.25 x 30 Socket Head Bolt	002876
19	Rake Flange	702002
20	Seal, 120 x 160 x 12	702035
21	Retaining Ring, 35mm Ext.	702005
22a	Shim, 0.2mm	702022
22b	Shim, 0.3mm	702021
23	Ball Bearing, 6207	702046
24	Gear, 35 Tooth	702055
25	Spindle Bearing Spacer	702001
26	Spindle Shaft	702049
27a	Shim, Spindle 0.2mm	702027
27b	Shim, Spindle 0.3mm	702026
27c	Shim, Spindle 0.5mm	702025
28	Housing, Hinge HT100	702061

** Earlier units used Hex Head Bolts

Outer Gearbox Assembly

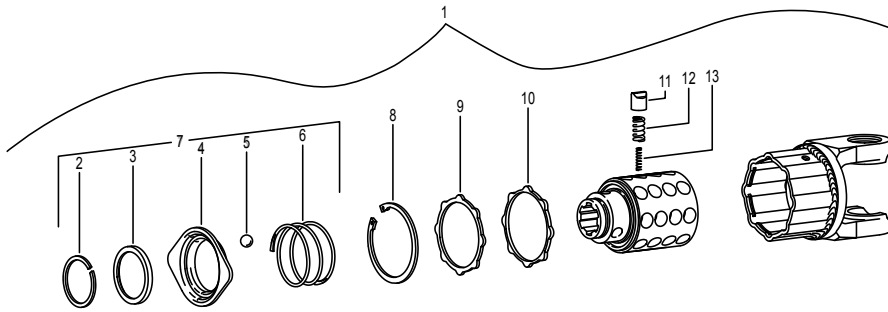


Ref#	Description	Part#
1a	**Socket Head Bolt, M10 x 30	002410
1b	**Hex Head Bolt, M10 x 40	002415
2	M10 Nord-Lock Washer	700944
3	Breather Plug	702070
4	Hex Head Bolt, M10 x 40	002415
5	Split Lock Washer, M10	002862
6	Housing, HT75B Outboard	702060
7	Cap, Blank	702058
8	M10-1.50 x 25 Hex Head Bolt	002405
9a	Shim, 0.1mm	702030
9b	Shim, 0.2mm	702029
9c	Shim, 0.5mm	702028
10	Ball Bearing, 6008	702040
11	Roll Pin, 12mm x 60mm	702019
12	Rectangular Key, 10 x 8 x 20	702024
13	Seal, 35 x 72 x 8	702034
14	M8-1.25 x 30 Socket Head Bolt	002876
15	Rake Flange	702002
16	Seal, 120 x 160 x 12	702035
17	Retaining Ring, 35mm Ext.	702005
18a	Shim, 0.2mm	702022
18b	Shim, 0.3mm	702021
19	Ball Bearing, 6207	702046
20	Gear, 35 Tooth	702055
21	Spindle Bearing Spacer	702001
22	Spindle Shaft	702049
23a	Shim, Spindle 0.2mm	702027
23b	Shim, Spindle 0.3mm	702026
23c	Shim, Spindle 0.5mm	702025
24	Plug, Pressed Fit	702014
25	Pinion, Outboard - 20 Tooth	702054
26	Seal, 40 x 62 x 8	702036

** Earlier units used Hex Head Bolts

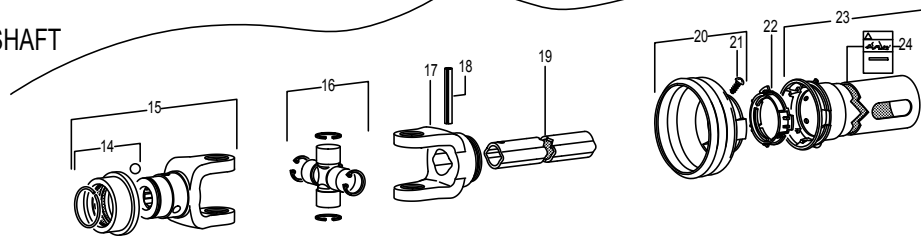
PTO Shaft Assembly

CLUTCH

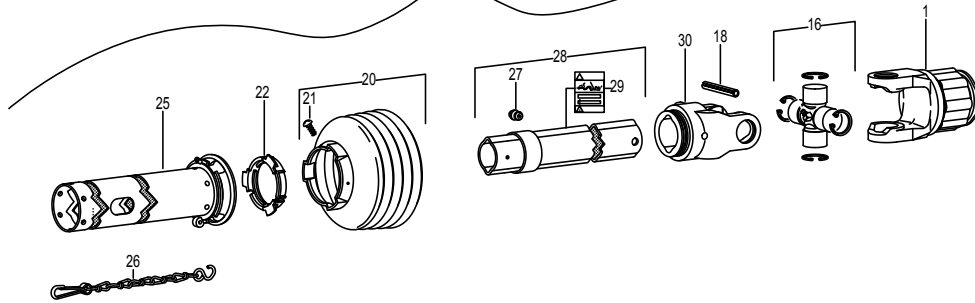


FRONT HALF (not sold separately)

SHAFT



REAR HALF (not sold separately)



Ref#	Description	Part#
1	Radial Pin Clutch	702275
2	Retaining Ring	500048
3	Flanged Collar	500047
4	Lock Collar	500046
5	Ball 1/2	500044
6	Compression Spring	500045
7	Locking Flange Kit	500050
8	Retaining Ring	500043
9	Thrust Ring	500042
10	Plastic Seal Ring	500041
11	Cam	500038
12	Outer Compression Spring	500039
13	Inner Compression Spring	500040
14	Collar Kit	702279
15	Yoke, 1-3/8" 6-Spline	702270
16	Cross & Bearing Kit	702259

Ref#	Description	Part#
17	Inboard Yoke	702271
18	Spring Pin, 10 x 65	500031
19	Inner Profile	702272
20	Shield Cone, 5-Rib	702276
21	Screw	500058
22	Bearing Ring	500052
23	Outer Shield Tube	702277
24	Decal	500059
25	Inner Shield Tube	702278
26	Safety Chain	500060
27	Grease Fitting	500062
28	Outer Profile	702273
29	Decal	500061
30	Inboard Yoke	702274
31	Complete PTO Shaft	701034
32	PTO Shield Kit for Bondioli PTO only	701034