

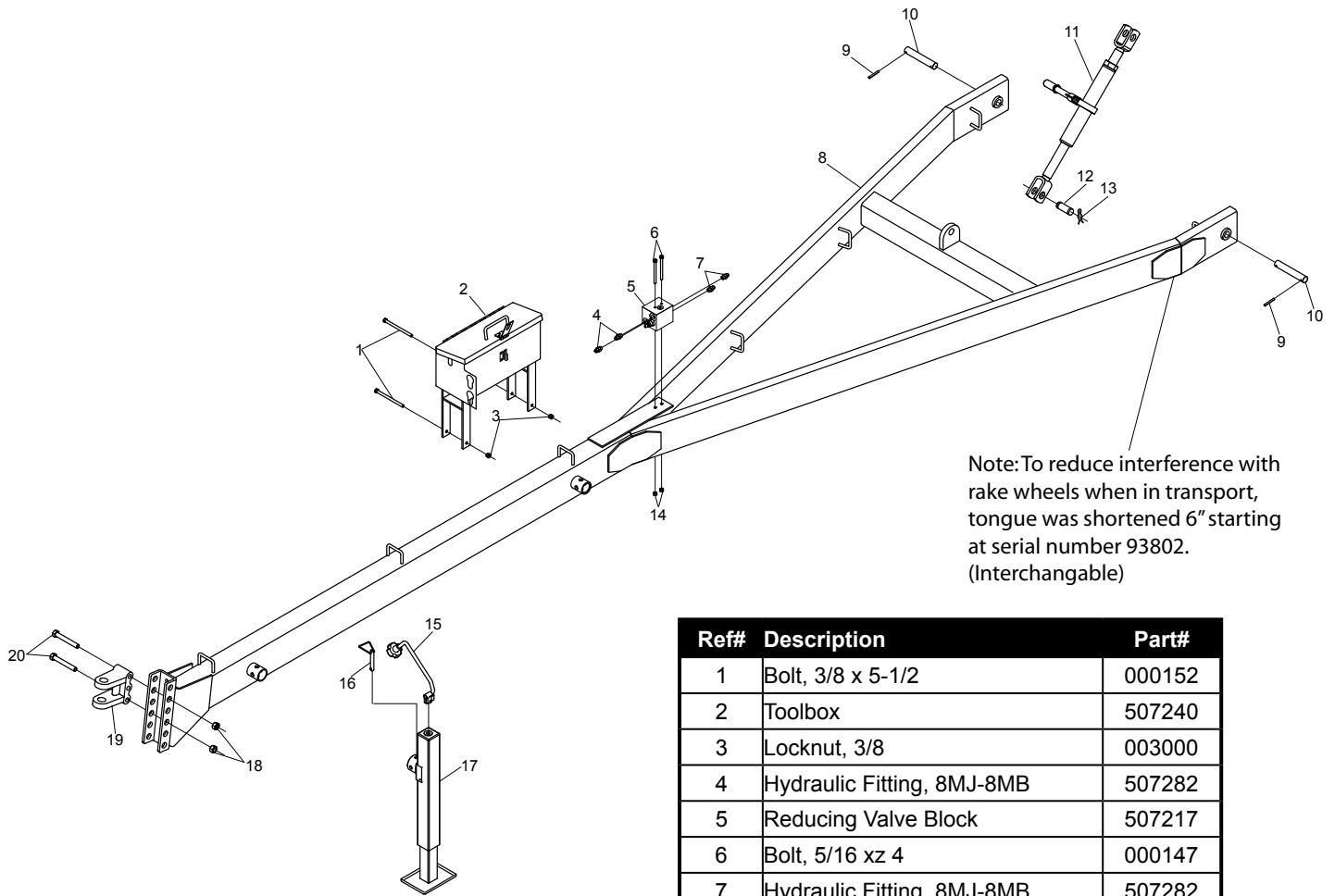


# Windrow Pro 1820HD

## Illustrated Parts Breakdown

<b>Page 1</b>	<b>Tongue Assembly</b>
<b>Page 2</b>	<b>Wheel Assembly S/N -93802</b>
<b>Page 3</b>	<b>Wheel Assembly S/N 93802+</b>
<b>Page 4</b>	<b>Left Arm Assembly S/N -80000</b>
<b>Page 5</b>	<b>Left Arm Assembly S/N 80000 to 93802</b>
<b>Page 6</b>	<b>Left Arm Assembly S/N 93802+</b>
<b>Page 7</b>	<b>Right Arm Assembly S/N -80000</b>
<b>Page 8</b>	<b>Right Arm Assembly S/N 80000 to 93802</b>
<b>Page 9</b>	<b>Right Arm Assembly S/N 93802+</b>
<b>Page 10</b>	<b>Wheel Arm Assembly S/N -93802</b>
<b>Page 11</b>	<b>Wheel Arm Assembly S/N 93802+</b>
<b>Page 12</b>	<b>Precision Spring Assembly S/N -93802</b>
<b>Page 13</b>	<b>Precision Spring Assembly S/N 93802+</b>
<b>Page 14</b>	<b>Overhead Frame Assembly</b>
<b>Page 15</b>	<b>Tandem Axle Assembly</b>
<b>Page 16</b>	<b>Hydraulic Components</b>
<b>Page 17</b>	<b>Tower Assembly</b>
<b>Page 18</b>	<b>Quick Pitch Components</b>
<b>Page 19</b>	<b>Nachi Valve and Plug Wire Diagram</b>
<b>Page 20</b>	<b>Switch Board Wire Diagram</b>
<b>Page 21</b>	<b>Control Box</b>

# Tongue Assembly

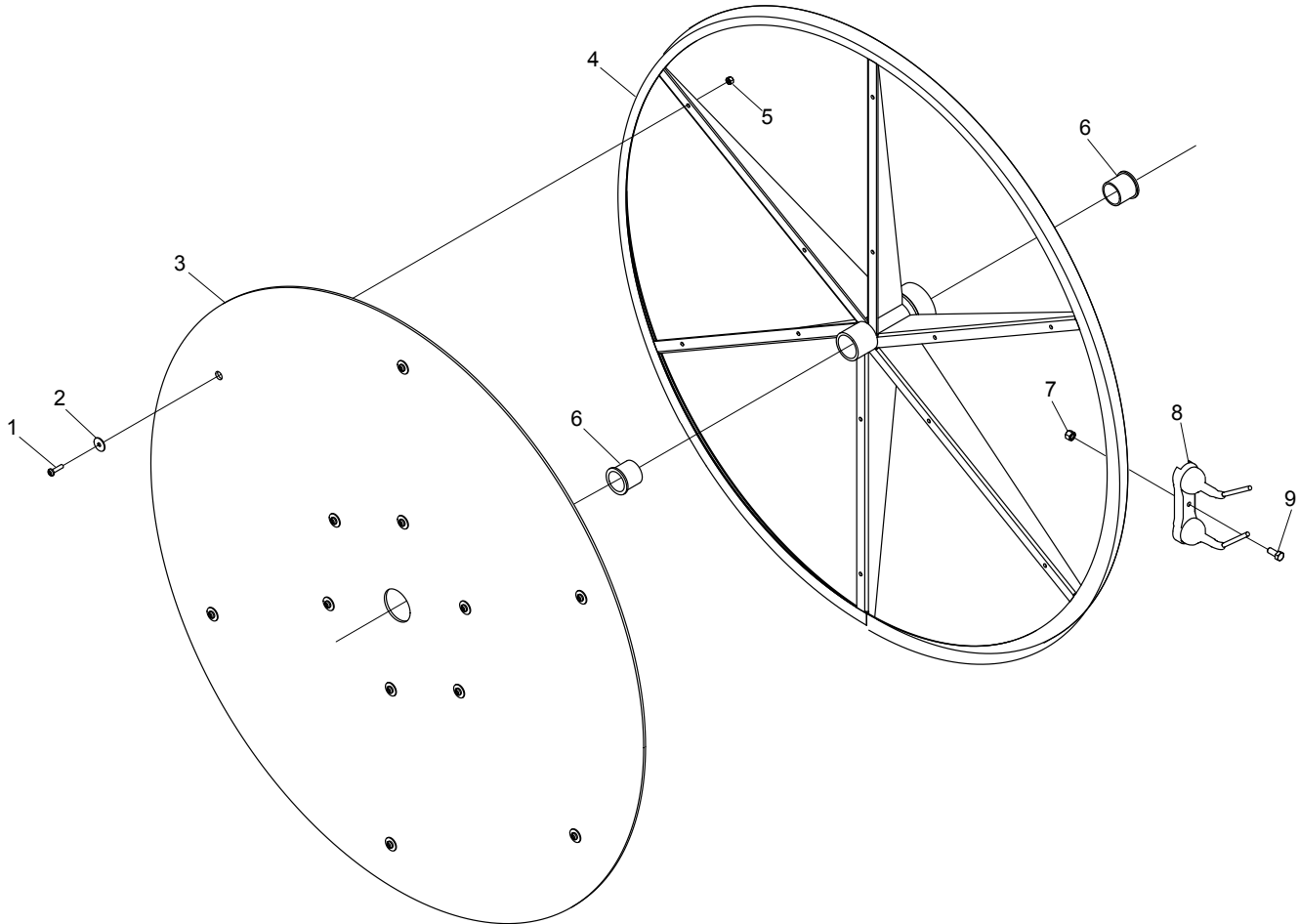


Note: To reduce interference with rake wheels when in transport, tongue was shortened 6" starting at serial number 93802. (Interchangeable)

Ref#	Description	Part#
1	Bolt, 3/8 x 5-1/2	000152
2	Toolbox	507240
3	Locknut, 3/8	003000
4	Hydraulic Fitting, 8MJ-8MB	507282
5	Reducing Valve Block	507217
6	Bolt, 5/16 xz 4	000147
7	Hydraulic Fitting, 8MJ-8MB	507282
8	Tongue Weld Assembly	507000
9	Roll Pin, 1/4 x 2	500017
10	Connecting Pin	507129
11	Ratchet Assembly	507003
12	Cylinder Clevis Pin	507273
13	Clevis Pin Clip	507274
14	Locknut, 5/16	002999
15	Jack Handle	500010
16	Pin & Chain	102121
17	Complete Jack	507019
18	5/8 Steel Locknut	900145
19	3-Hole Clevis Coupler	507018
20	Bolt, 5/8 x 4-1/2	000645
	2-5/16 Ball Coupler	102007

# Wheel Assembly

For rakes with Serial Numbers less than 93802

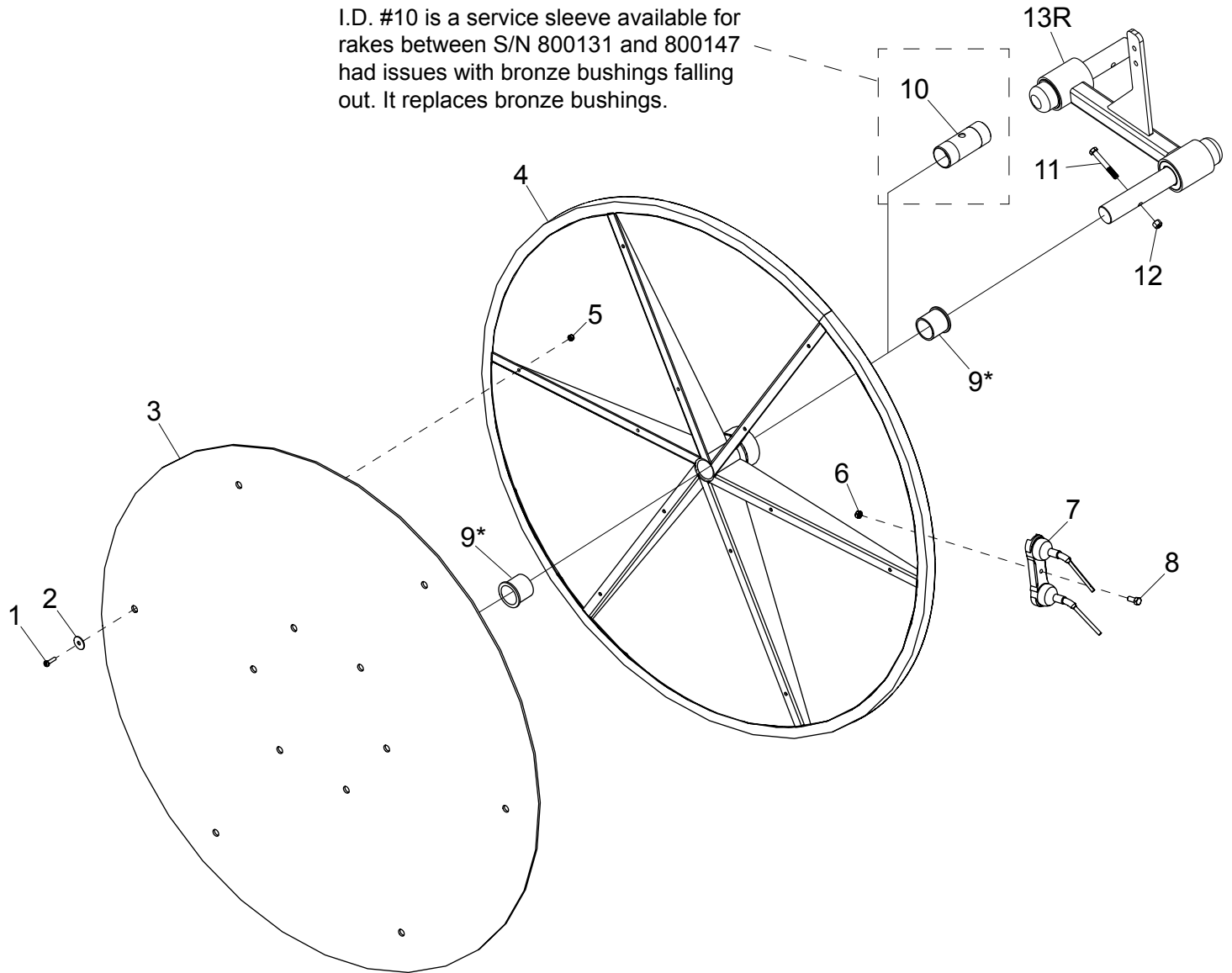


Ref#	Description	Part#
1	Truss Head Bolt, 1/4 x 1	000165
2	Fender Washer, 1/4	001127
3	Wheel Plastic	507152
4	Wheel Weld Assembly	507146
5	Lock Nut, 1/4	003001
6	Bronze Bushing	700046
7	Lock Nut, 3/8	003001
8	Double Tine	507153
9	Bolt, 3/8 x 7/8	000250
	Parts for Complete Wheel (Unassembled)	507145

# Wheel Assembly

For rakes with Serial Numbers more than 93802

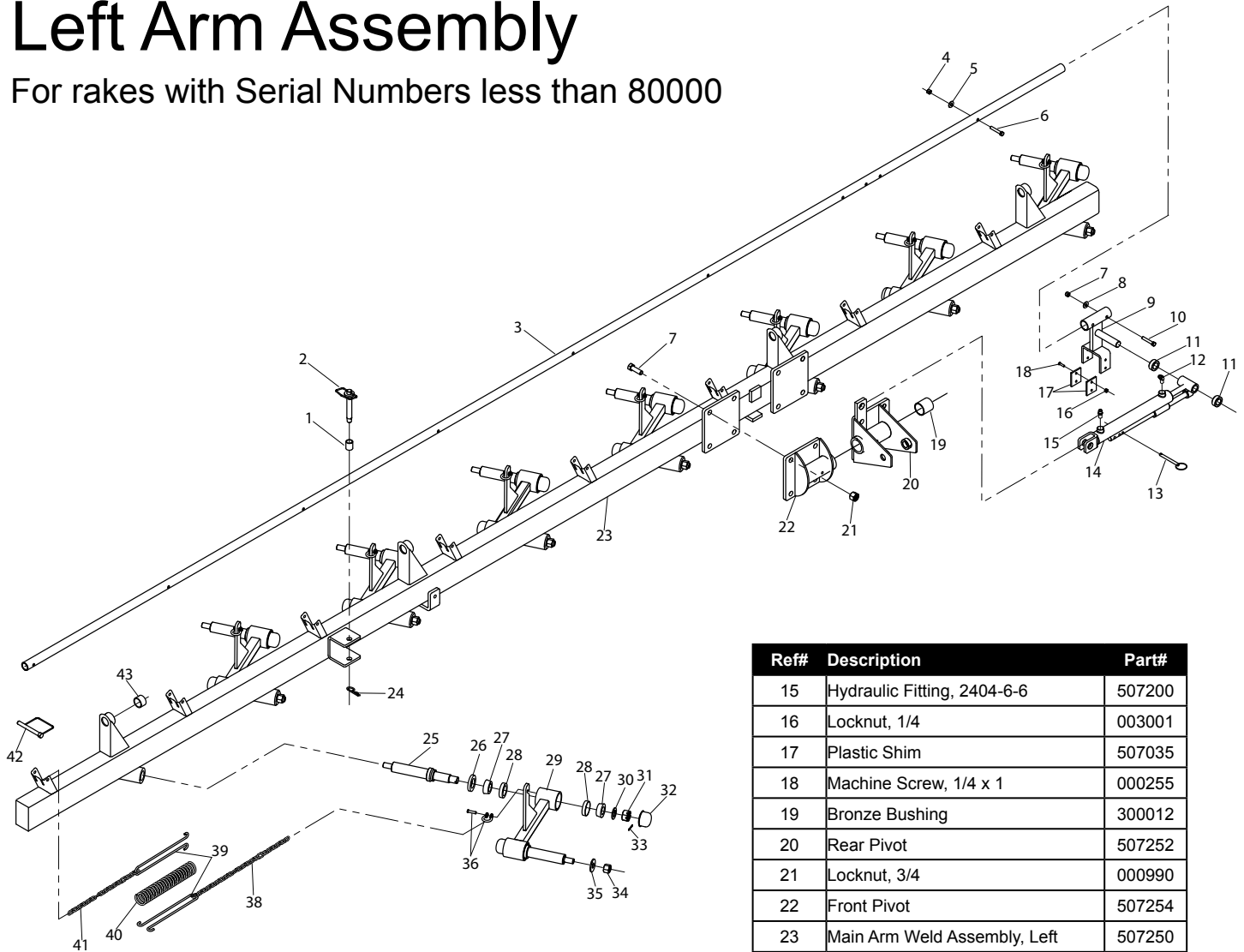
I.D. #10 is a service sleeve available for rakes between S/N 800131 and 800147 had issues with bronze bushings falling out. It replaces bronze bushings.



Ref#	Description	Part#
1	Truss Head Bolt, 1/4 x 1	000165
2	Fender Washer, 1/4	001127
3	Wheel Plastic	507499
4	Wheel Weld Assembly	507496
5	Nylon Lock Nut, 1/4	003001
6	Nylon Lock Nut, 3/8	003000
7	Double Tine	507153
8	Bolt, 3/8 x 7/8	000250
	Parts for Complete Wheel (Unassembled)	507500

# Left Arm Assembly

For rakes with Serial Numbers less than 80000

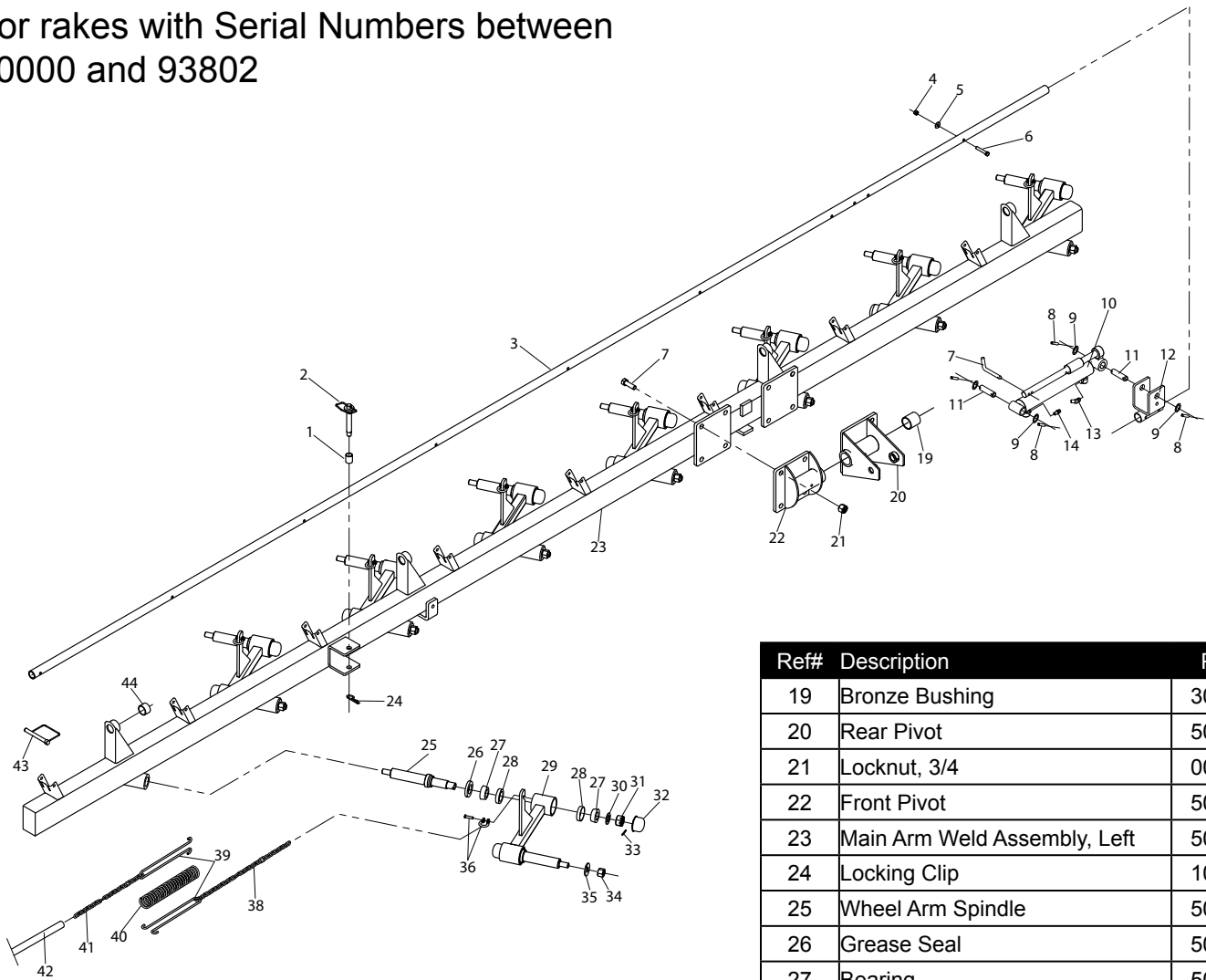


Ref#	Description	Part#
1	Spacer	507298
2	Hitch Pin	300406
3	Lifter Arm, Left	507026
4	Locknut, 3/8	003000
5	Flat Washer, 3/8	001035
6	Bolt, 3/8 x 2-1/4	000315
7	Locknut, 3/8	003000
8	Flat Washer, 3/8	001035
9	Cylinder Connecting Bracket	507030
10	Bolt, 3/8 x 2-1/4	000315
11	Shaft Collar, 1"	400143
12	45 Degree Fitting, 2503-6-6	507199
13	3/8" Positioning Pin	507239
14	Wheel Lift Cylinder	507051

Ref#	Description	Part#
15	Hydraulic Fitting, 2404-6-6	507200
16	Locknut, 1/4	003001
17	Plastic Shim	507035
18	Machine Screw, 1/4 x 1	000255
19	Bronze Bushing	300012
20	Rear Pivot	507252
21	Locknut, 3/4	000990
22	Front Pivot	507254
23	Main Arm Weld Assembly, Left	507250
24	Locking Clip	100216
25	Wheel Arm Spindle	507135
26	Grease Seal	507138
27	Bearing	507136
28	Race	507137
29	Wheel Arm Weld Assembly	507131
30	Spindle Washer	300047
31	Castle Nut	300275
32	Dust Cap	101465
33	Cotter Pin, 5/32 x 1-3/4	300282
34	Locknut, 3/4	000990
35	Flat Washer, 3/4	507264
36	1/4" Chain Clevis	507158
38	Lifter Chain, 26 Links	507156
39	Spring Connector	507155
40	Compression Spring	507154
41	Lifter Chain, 17 Links	507157
42	Lynch Pin	507175
43	Nylon Bushing	401007

# Left Arm Assembly

For rakes with Serial Numbers between 80000 and 93802



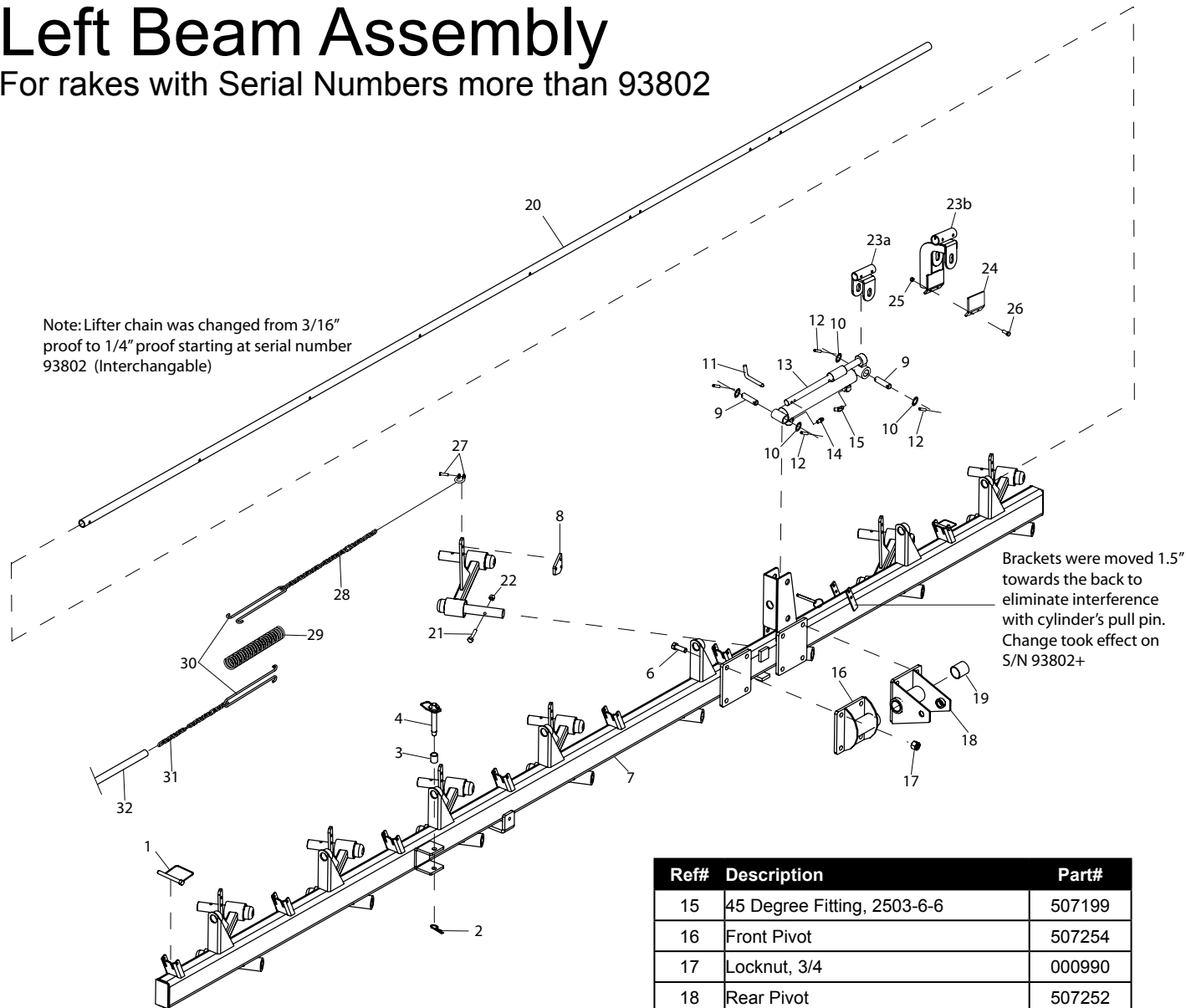
Ref#	Description	Part#
1	Spacer	507298
2	Hitch Pin	300406
3	Lifter Arm, Left	507026
4	Locknut, 3/8	003000
5	Flat Washer, 3/8	001035
6	Bolt, 3/8 x 2-1/4	000315
7	1/2 x 3 Stop Pin	100330
8	Roll Pin, 1/4 x 1-3/4	500187
9	Machinery Bushing	001008
10	Wheel Lift Cylinder	507313
11	Cylinder Pin	508186
12	Cylinder Connecting Bracket	507315
13	45 Degree Fitting, 2503-6-6	507199
14	Hydraulic Fitting, 2404-6-6	507200

Ref#	Description	Part#
19	Bronze Bushing	300012
20	Rear Pivot	507252
21	Locknut, 3/4	000990
22	Front Pivot	507254
23	Main Arm Weld Assembly, Left	507250
24	Locking Clip	100216
25	Wheel Arm Spindle	507135
26	Grease Seal	507138
27	Bearing	507136
28	Race	507137
29	Wheel Arm Weld Assembly	507131
30	Spindle Washer	300047
31	Castle Nut	300275
32	Dust Cap	101465
33	Cotter Pin, 5/32 x 1-3/4	300282
34	Locknut, 3/4	000990
35	Flat Washer, 3/4	507264
36	1/4" Chain Clevis	507158
38	Lifter Chain, 26 Links	507156
39	Spring Connector	507155
40	Compression Spring	507154
41	Lifter Chain, 17 Links	507157
42	Chain Cover	507407
43	Lynch Pin	507175
44	Nylon Bushing	401007

# Left Beam Assembly

For rakes with Serial Numbers more than 93802

Note: Lifter chain was changed from 3/16" proof to 1/4" proof starting at serial number 93802 (Interchangeable)



Brackets were moved 1.5" towards the back to eliminate interference with cylinder's pull pin. Change took effect on S/N 93802+

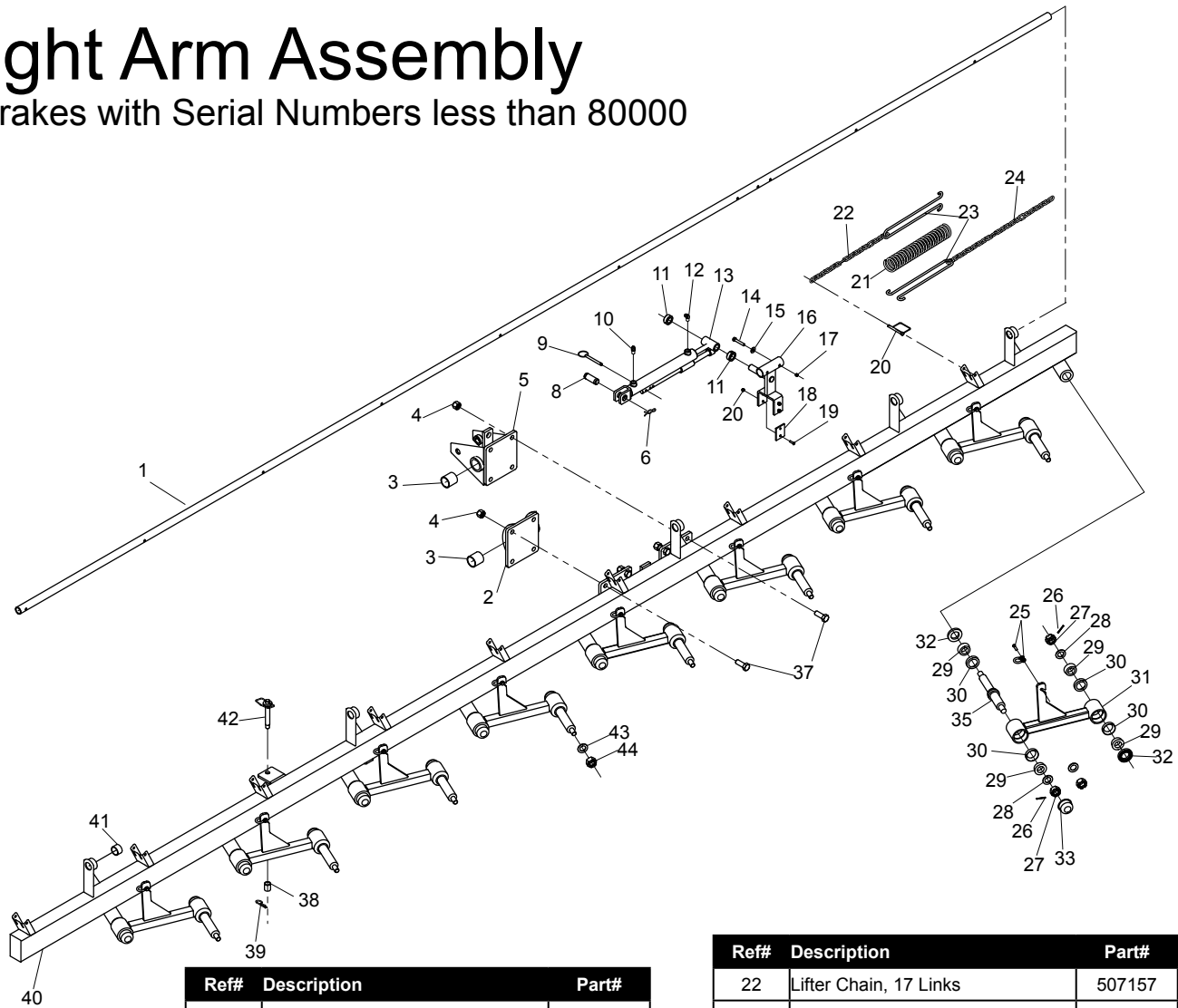
Ref#	Description	Part#
1	Lynch Pin	507175
2	Locking Clip	100216
3	Spacer	507298
4	Hitch Pin	300406
6	1/2 x 3 Stop Pin	100330
7	Main Arm Weldment, Left	507250
8	Spring Rod Extension Bracket	507509
9	Cylinder Pin	508186
10	Machinery Bushing	001008
11	1/2 x 3 Stop Pin	100330
12	Roll Pin, 1/4 x 1-3/4	500187
13	Wheel Lift Cylinder	507313
14	Hydraulic Fitting, 2404-6-6	507200

Ref#	Description	Part#
15	45 Degree Fitting, 2503-6-6	507199
16	Front Pivot	507254
17	Locknut, 3/4	000990
18	Rear Pivot	507252
19	Bronze Bushing	300012
20	Lifter Arm Pipe, Left	507026
21	3/8" x 2-3/4" Hex Head Bolt	000305
22	3/8" Nylon Lock Nut	003000
23a	Cylinder Connecting Bracket	507315
23b	PSO Cylinder Connecting Bracket	507527
24	UHMW Sliding Plate	507526
25	1/4" Nylon Lock Nut	003001
26	1/4" x 1" Hex Head Bolt	000182
27	1/4" Chain Clevis	507158
28	Lifter Chain, 26 Links	507156
29	Compression Spring	507154
30	Spring Connector	507155
31	Lifter Chain, 17 Links	507157
32	Chain Cover	507407

Ref #'s 27-32 are only used on rakes with standard springs

# Right Arm Assembly

For rakes with Serial Numbers less than 80000



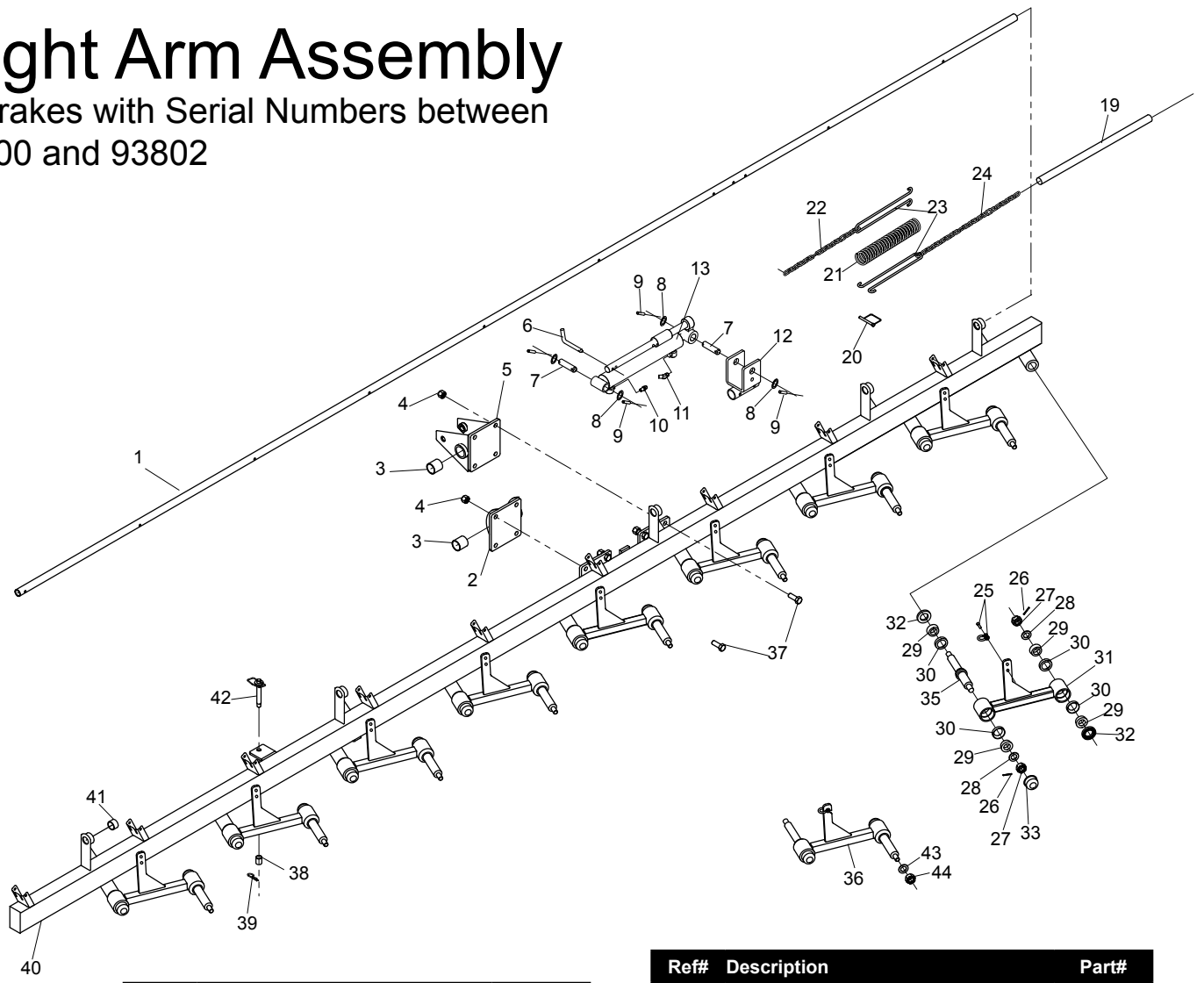
Ref#	Description	Part#
1	Lifter Arm, Right	507027
2	Front Pivot	507254
3	Bronze Bushing	300012
4	Locknut, 3/4	000990
5	Rear Pivot	507253
6	Clevis Pin Clip	507274
8	Cylinder Clevis Pin	507273
9	3/8" Positioning Pin	507239
10	Straight Fitting, 2404-6-6	507200
11	Shaft Collar	400143
12	45 Degree Fitting, 2503-6-6	507199
13	Wheel Lift Cylinder	507051
14	Bolt, 3/8 x 2-1/4	000315
15	Flatwasher, 3/8	001035
16	Cylinder Connecting Bracket	507030
17	Locknut, 3/8	003001
18	Plastic Shim	507035
19	Machine Screw, 1/4 x 1	000255
20	Locknut, 1/4	003001
21	Compression Spring	507154

Ref#	Description	Part#
22	Lifter Chain, 17 Links	507157
23	Spring Connector	507155
24	Lifter Chain, 26 Links	507156
25	1/4" Chain Clevis	507158
26	Cotter Pin, 5/32 x 1-3/4	300282
27	Castle Nut	300275
28	Spindle Washer	300047
29	Bearing	507136
30	Race	507137
31	Wheel Arm Weld Assembly	507131
32	Grease Seal	507138
33	Dust Cap	101465
35	Wheel Arm Spindle	507135
37	Bolt, 3/4 x 2	000760
38	Spacer	507298
39	Locking Clip	100216
40	Main Arm Weld Assembly, Right	507260
41	Nylon Bushing	401007
42	Hitch Pin	300406
43	Heavy Duty Flat Washer	507264
44	Locknut, 3/4"	000990



# Right Arm Assembly

For rakes with Serial Numbers between 80000 and 93802

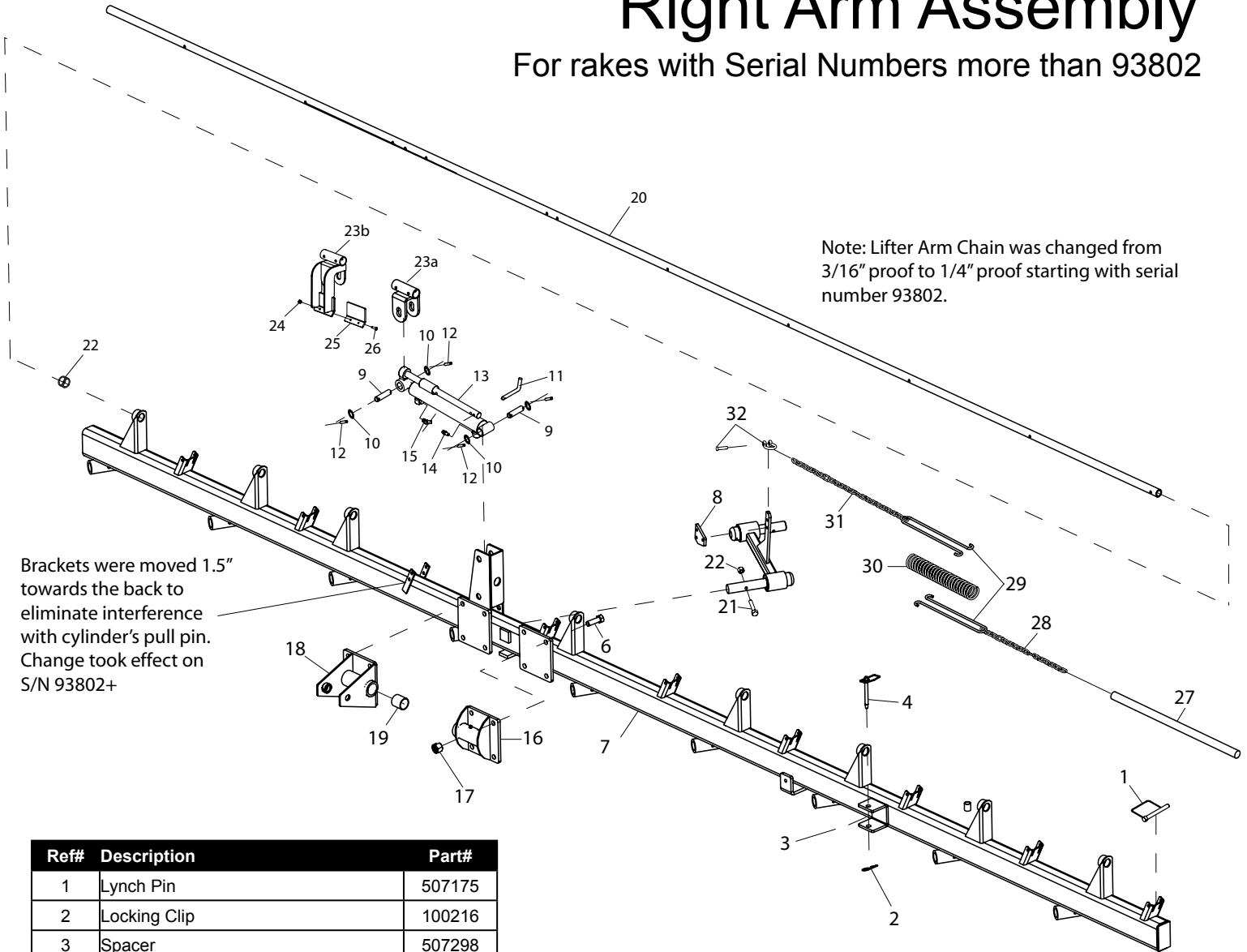


Ref#	Description	Part#
1	Lifter Arm, Right	507027
2	Front Pivot	507254
3	Bronze Bushing	300012
4	Locknut, 3/4	000990
5	Rear Pivot	507253
6	1/2 x 3 Stop Pin	100330
7	Cylinder Pin	508186
8	Machinery Bushing	001008
9	Roll Pin, 1/4 x 1-3/4	500187
10	Straight Fitting, 2404-6-6	507200
11	45 Degree Fitting, 2503-6-6	507199
12	Cylinder Connecting Bracket	507315
13	Wheel Lift Cylinder	507313
19	Chain Cover	507407
20	Square Lynch Pin	507175
21	Compression Spring	507154
22	Lifter Chain, 17 Links	507157
23	Spring Connector	507155

Ref#	Description	Part#
24	Lifter Chain, 26 Links	507156
25	1/4" Chain Clevis	507158
26	Cotter Pin, 5/32 x 1-3/4	300282
27	Castle Nut	300275
28	Spindle Washer	300047
29	Bearing	507136
30	Race	507137
31	Wheel Arm Weld Assembly	507131
32	Grease Seal	507138
33	Dust Cap	101465
35	Wheel Arm Spindle	507135
37	Bolt, 3/4 x 2	000760
38	Spacer	507298
39	Locking Clip	100216
40	Main Arm Weld Assembly, Right	507260
41	Nylon Bushing	401007
42	Hitch Pin	300406
43	Heavy Flat Washer, 3/4"	507264
44	Locknut, 3/4"	000990

# Right Arm Assembly

For rakes with Serial Numbers more than 93802



Brackets were moved 1.5" towards the back to eliminate interference with cylinder's pull pin. Change took effect on S/N 93802+

Note: Lifter Arm Chain was changed from 3/16" proof to 1/4" proof starting with serial number 93802.

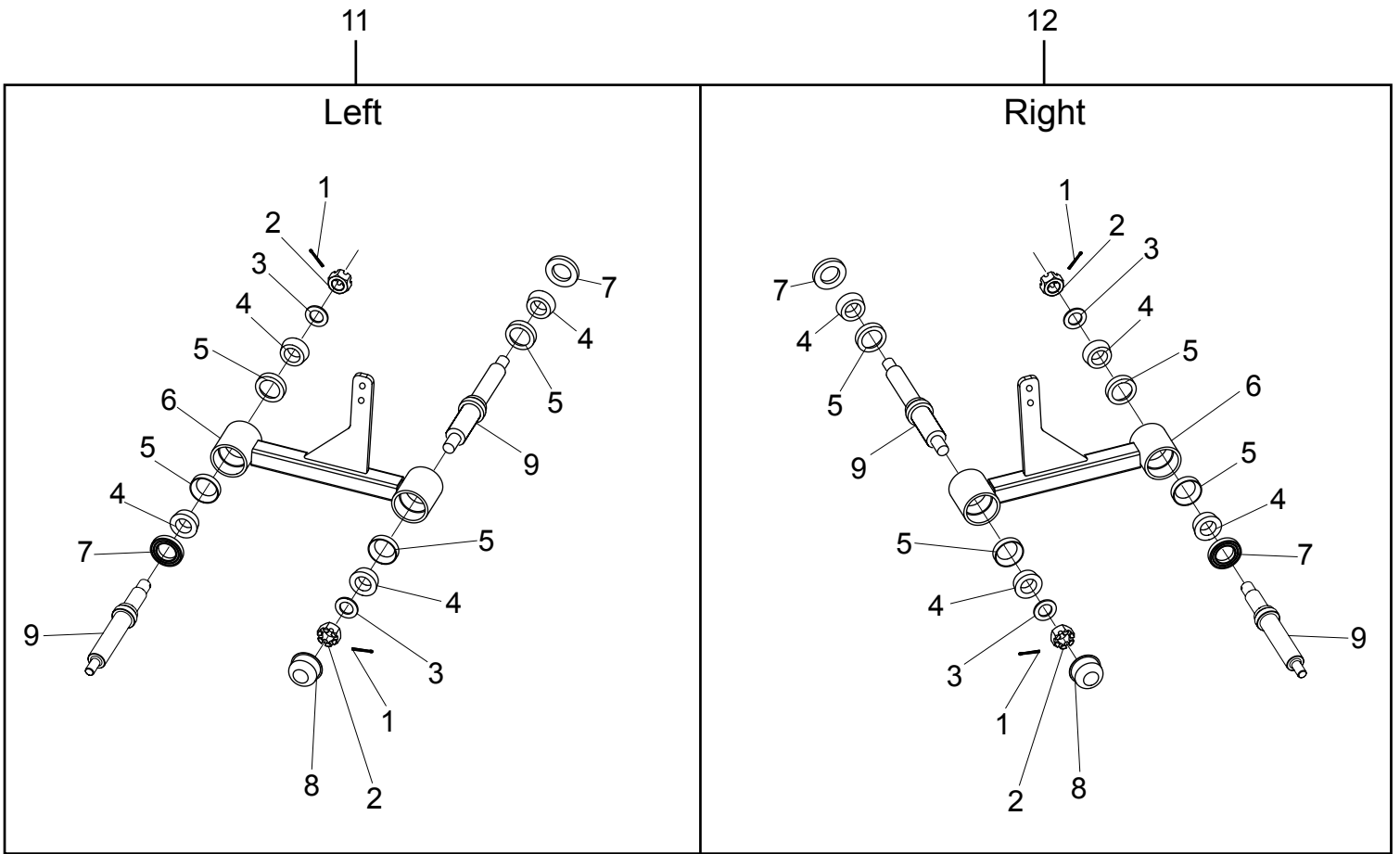
Ref#	Description	Part#
1	Lynch Pin	507175
2	Locking Clip	100216
3	Spacer	507298
4	Hitch Pin	300406
6	1/2 x 3 Stop Pin	100330
7	WR5417 Main Arm Weldment, Left	507250
8	Spring Rod Extension Bracket	507509
9	Cylinder Pin	508186
10	Machinery Bushing	001008
11	1/2 x 3 Stop Pin	100330
12	Roll Pin, 1/4 x 1-3/4	500187
13	Wheel Lift Cylinder	507313
14	Hydraulic Fitting, 2404-6-6	507200
15	45 Degree Fitting, 2503-6-6	507199
16	Front Pivot	507254
17	Locknut, 3/4	000990
18	Rear Pivot	507252
19	Bronze Bushing	300012
20	Lifter Arm Pipe, Left	507026

Ref#	Description	Part#
21	3/8" x 2-3/4" Hex Head Bolt	000305
22	3/8" Nylon Lock Nut	003000
23a	Cylinder Connecting Bracket	507315
23b	PSO Cylinder Connecting Bracket	507527
24	1/4" Nylon Lock Nut	003001
25	UHMW Sliding Plate	507526
26	1/4" x 1" Hex Head Bolt	000182
27	Chain Cover	507407
28	Lifter Chain, 17 Links	507157
29	Spring Connector	507155
30	Compression Spring	507154
31	Lifter Chain, 26 Links	507156
32	1/4" Chain Clevis	507158

Ref #'s 27-32 are only used on rakes with standard springs

# Wheel Arm Assembly

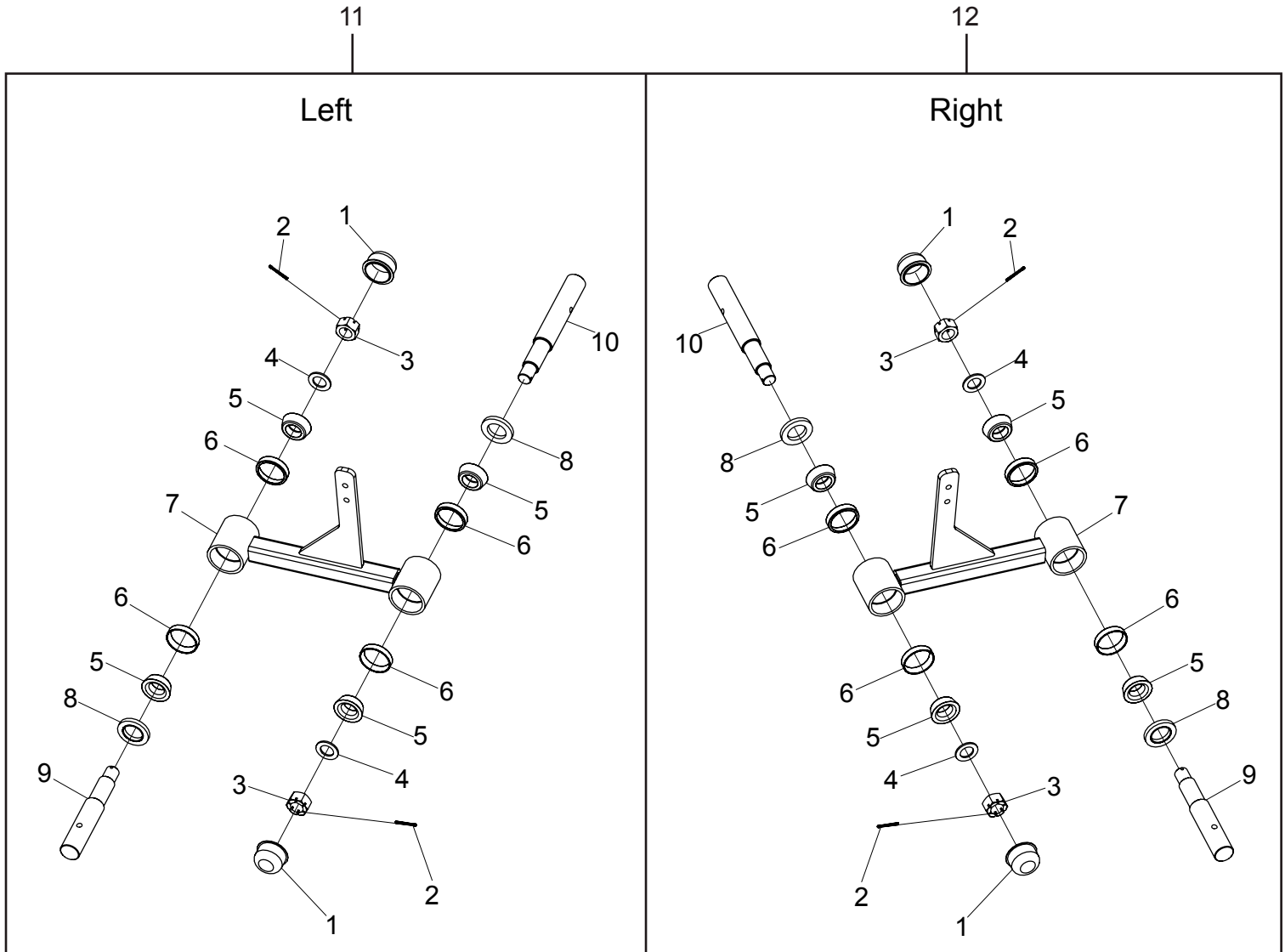
For rakes with Serial Numbers less than 93802



Ref#	Description	Part#
1	Cotter Pin, 5/32 x 1-3/4	300282
2	Castle Nut	300275
3	Spindle Washer	300047
4	Bearing	507136
5	Race	507137
6	Wheel Arm Weld Assembly	507131
7	Grease Seal	507138
8	Dust Cap	101465
9	Wheel Arm Spindle S/N -800136	507135

# Wheel Arm Assembly

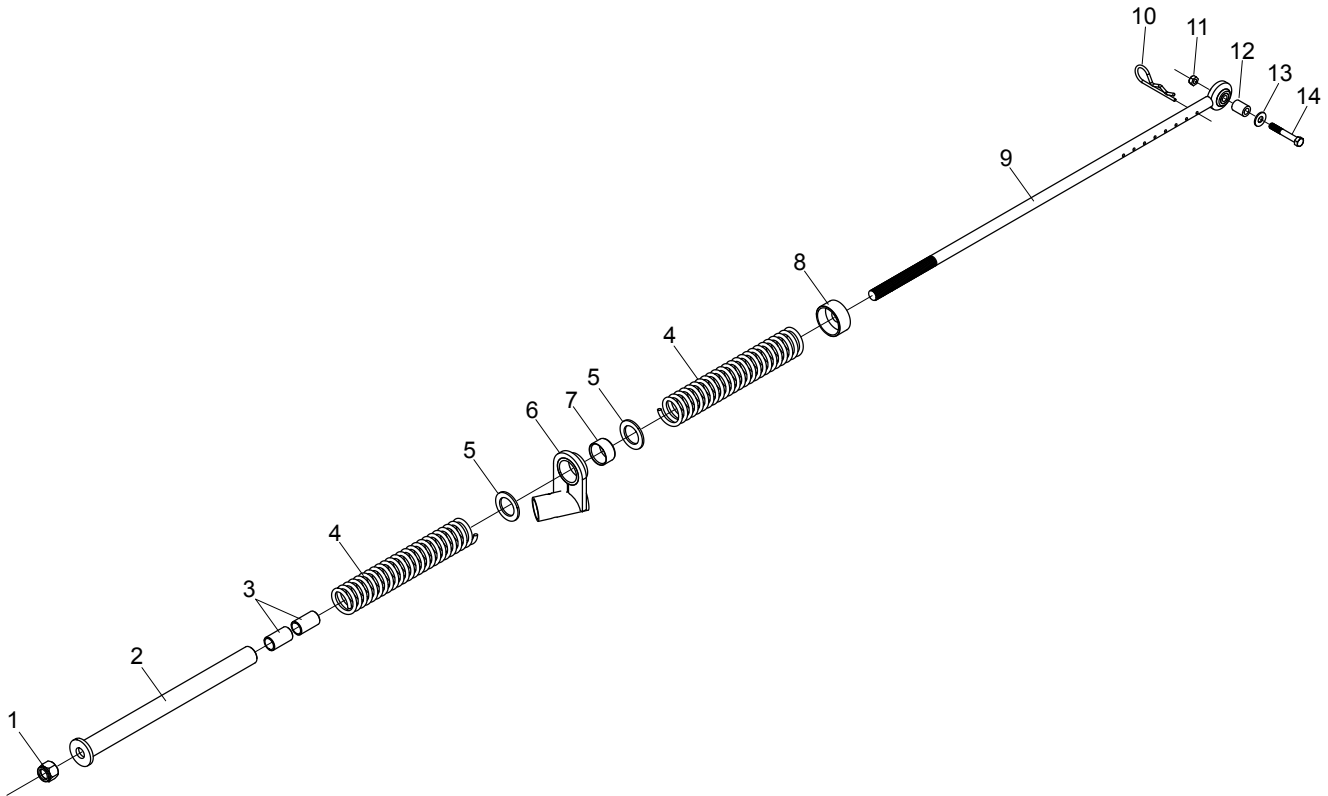
For rakes with Serial Numbers more than 93802



Ref#	Description	Part#
1	Hub Cap	101465
2	5/32 x 1-3/4 Cotter Pin	300282
3	Castle Nut (1288 Spindle)	300275
4	Spindle Washer	300047
5	Wheel Arm Bearing	507136
6	Wheel Arm Cup	507137
7	Wheel Arm Weldment	507131
8	Seal, Wheel Arm	507508
9	Wheel Arm Spindle--Wheel Side	507495
10	Wheel Arm Spindle--Beam Side	507494

# Precision Spring Option

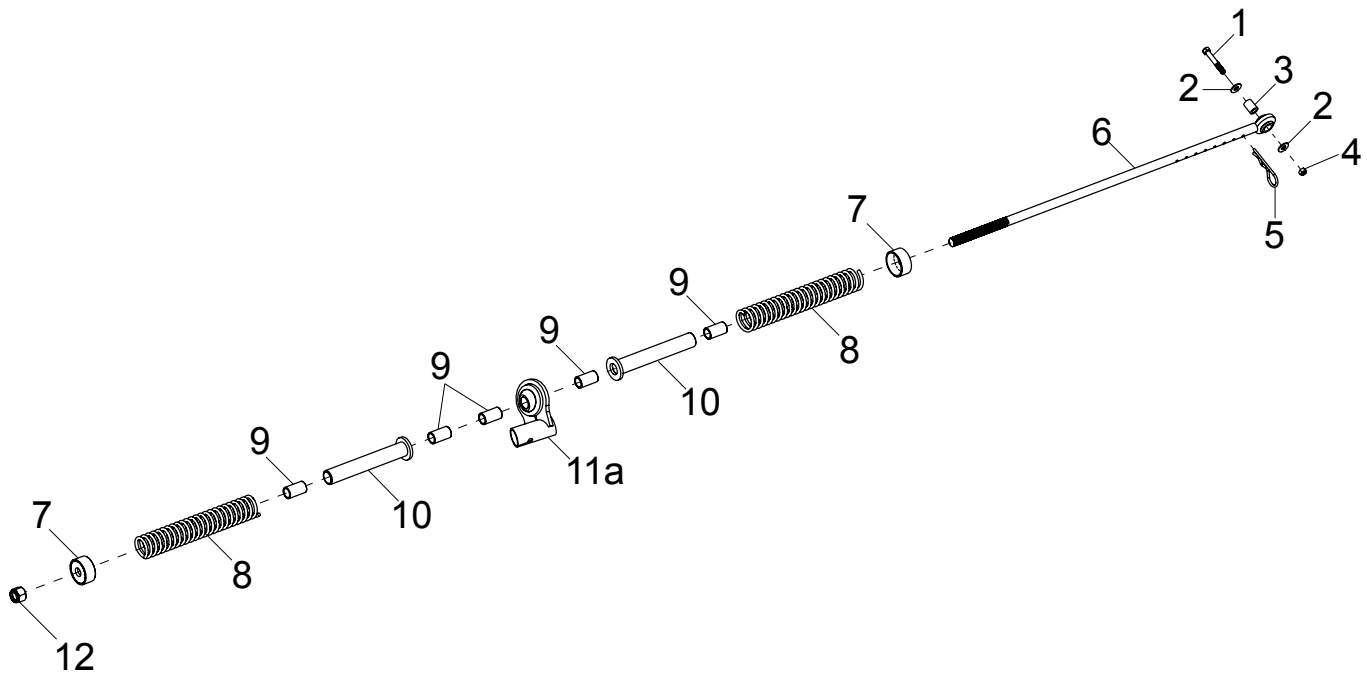
For rakes with Serial Numbers less than 93802



Ref#	Description	Part#
1	Lock Nut, 3/4"	000990
2	Rod Guide Weldment	507346
3	Bronze Bushing	507345
4	Spring	507154
5	Machinery Bushing, 1-3/8 ID	001510
6	Spring Assist Bracket, Left	507353
	Spring Assist Bracket, Right	507356
7	Bronze Bushing	507352
8	Spring Retainer	507348
9	Spring Rod Weldment	507339
10	Hairpin Cotter	507340
11	Lock Nut, 3/8"	900134
12	Bushing	507341
13	Flat Washer, 3/8	001035
14	Bolt, 3/8 x 2-1/2	000300

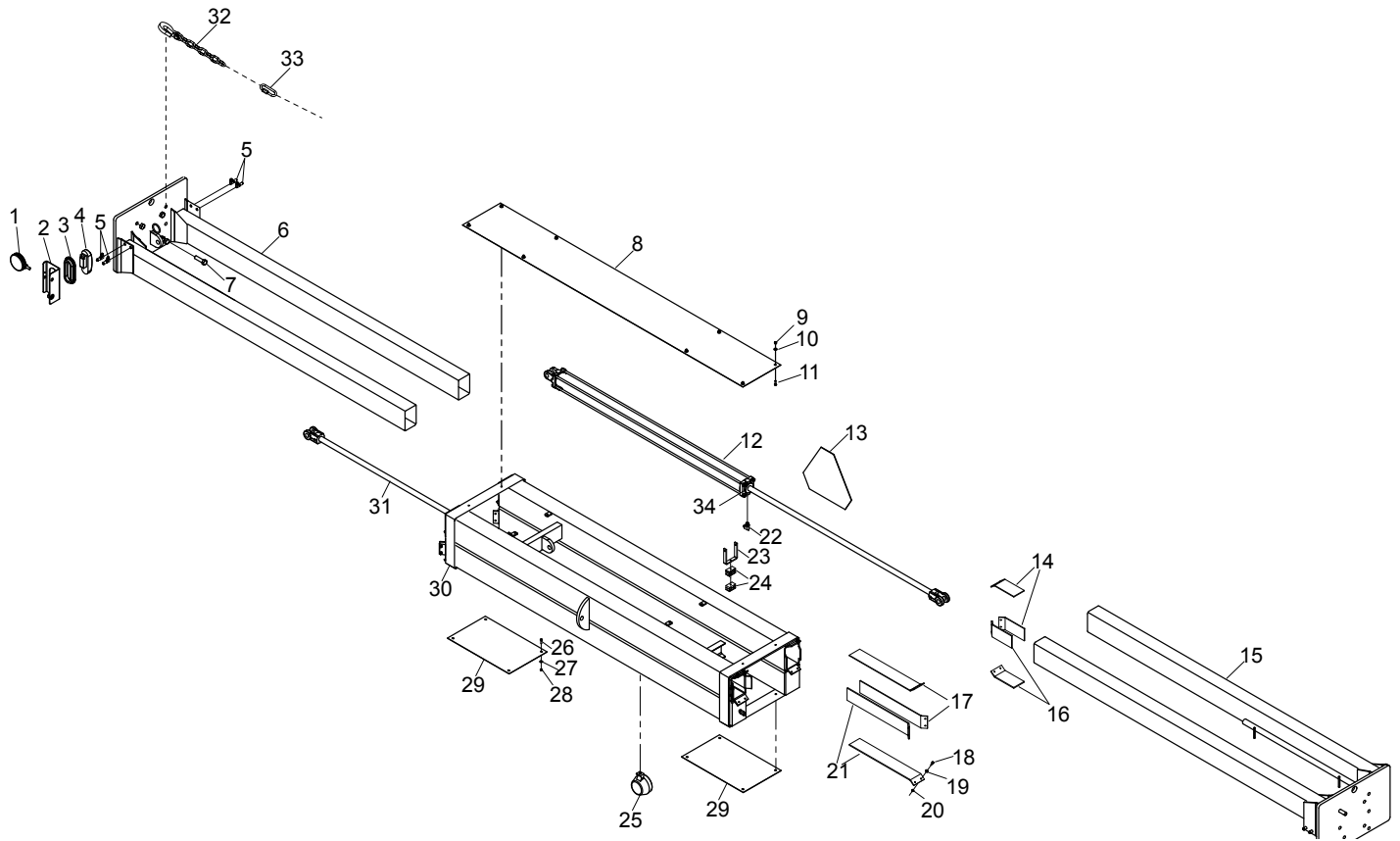
# Precision Spring Option

For rakes with Serial Numbers more than 93802



Ref#	Description	Part#
1	Bolt, 3/8 x 2-1/2	000300
2	Flat Washer, 3/8	001035
3	Bushing	507341
4	Lock Nut, 3/8"	900134
5	Hairpin Cotter	507340
6	Spring Rod Weldment	507339
7	Spring Retainer	507348
8	Spring	507154
9	Plastic Bushing	507465
10	Rod Guide Weldment	507460
11a	Spring Assist Bracket, Left	507461
11b	Spring Assist Bracket, Right	507467
12	Lock Nut, 3/4"	000990

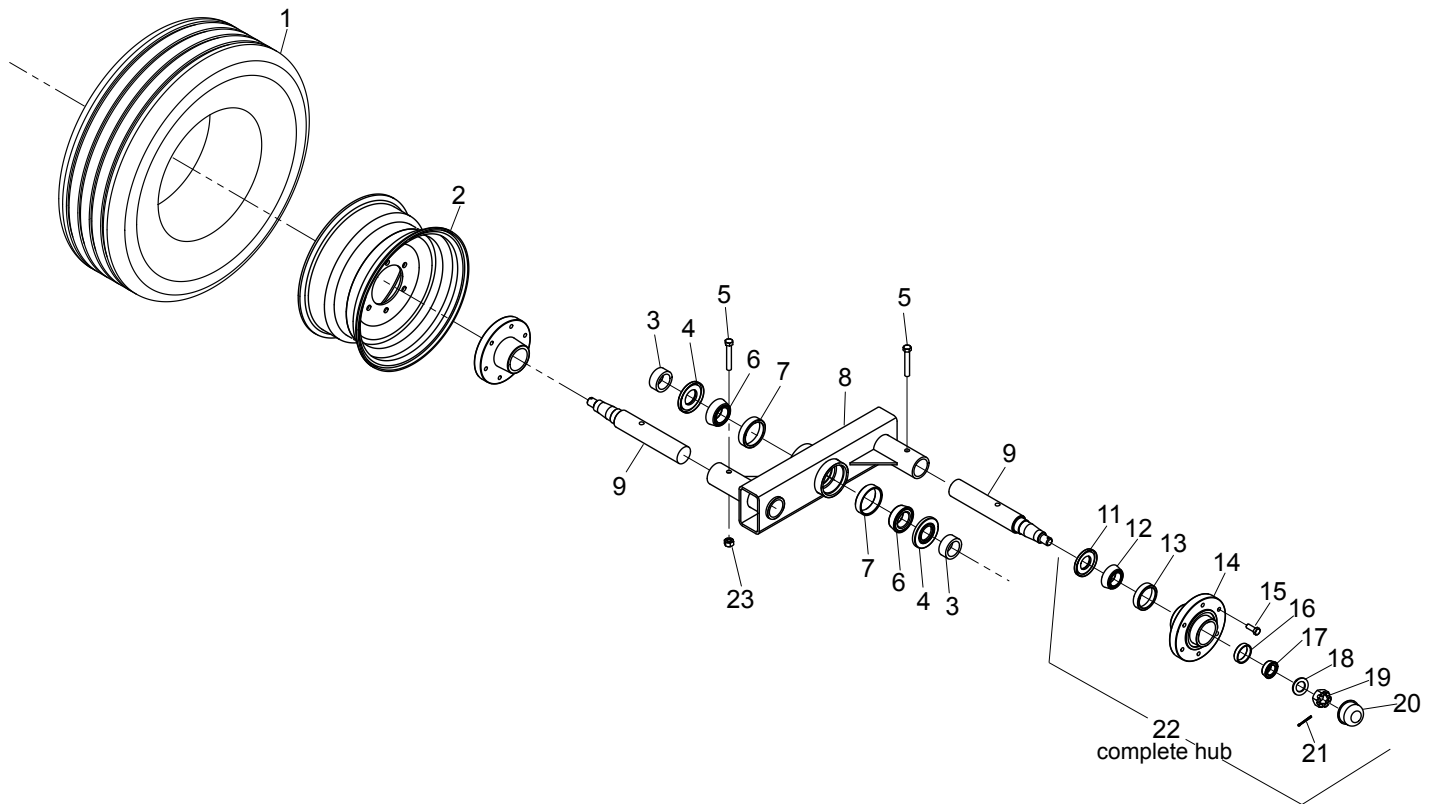
# Overhead Frame Assembly



Ref#	Description	Part#
1	Round Dual-Faced Light	507164
2	Light Bracket	507163
3	Grommet	100140
4	Oval Taillight	100139
5	90 Degree Fitting, 2701-6-6	507187
6	Telescoping Boom Assembly, Right	507160
7	Bolt, 3/4 x 2-3/4	000710
8	Galvanized Sheet	507216
9	Locknut, 1/4	003001
10	Flatwasher, 1/4	001020
11	Bolt, 1/4 x 7/8	000180
12	Cylinder, 3x60	507180
13	SMV Triangle	507166
14	3/16 Plastic Shim	507021
15	Telescoping Boom Assembly, Left	507159
16	1/4 Plastic Shim	507022
17	3/16 Plastic Shim	507023

Ref#	Description	Part#
18	Bolt, 1/4 x 7/8	000180
19	Flatwasher, 1/4	001020
20	Locknut, 1/4	003001
21	1/4 Plastic Shim	507024
22	90 Degree Fitting, 6801-6-8	507281
23	Hose Clamp Mount	507266
24	1/4" Hose Clamp Kit	507294
25	Rear Work Light	507176
26	Bolt, 1/4 x 7/8	000180
27	Flatwasher, 1/4	001020
28	Locknut, 1/4	003001
29	Galvanized Sheet	507215
30	Overhead Main Frame Weldment	507120
31	Cylinder, 3x60	507180
32	8 Link Chain Assembly	101132
33	Quick Link	001095
34	Seal Kit for Overhead Cylinder	507370

# Tandem Axle Assembly

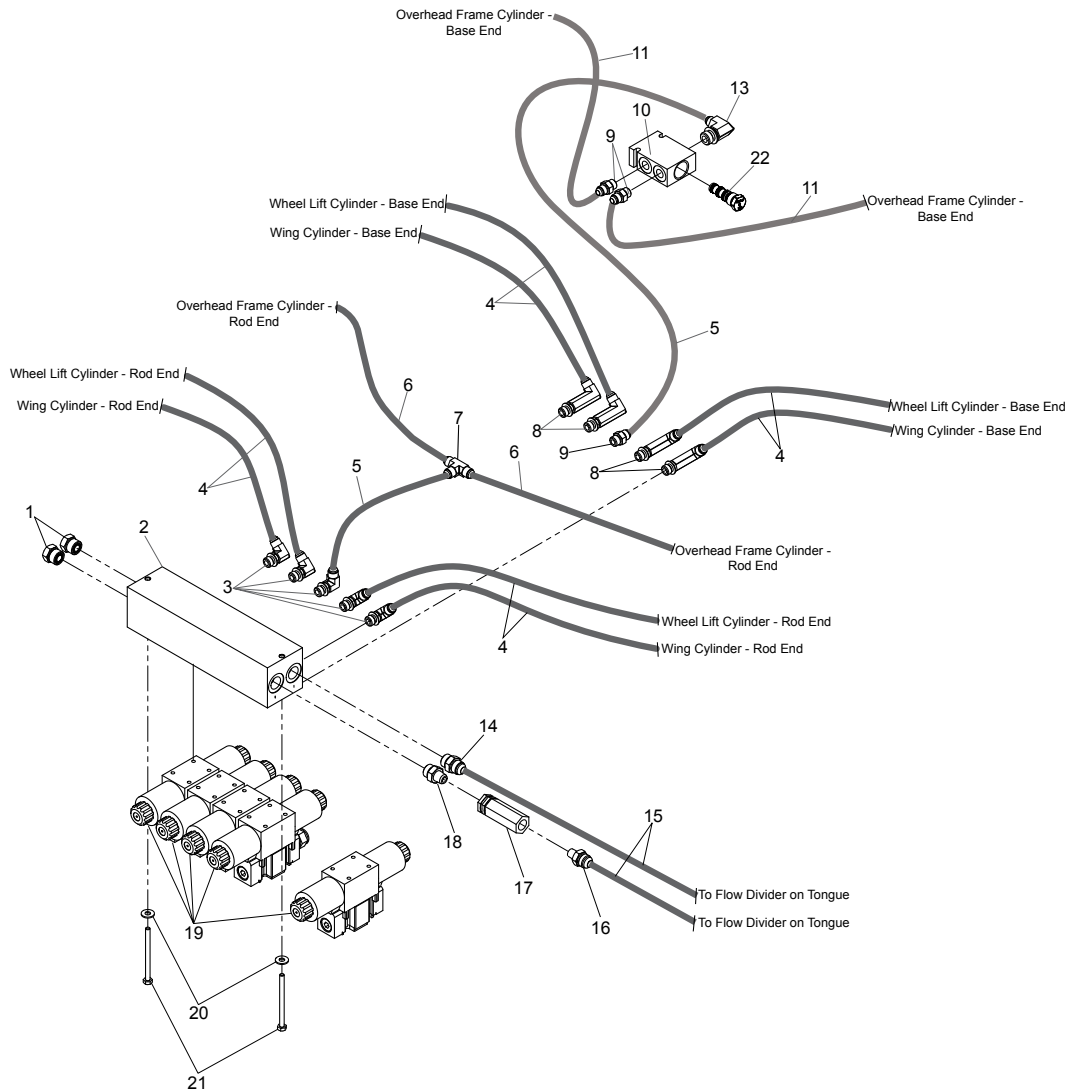


Ref#	Description	Part#
1	255/70 R15 Tire	507038
2	Wheel 15x8 6-Bolt	300285
3	Spacer	507144
4	Grease Seal	507014
5	Bolt, 1/2 x 3-1/4	000477
6	Bearing, 25580	101427
7	Race, 25520	101429
8	Walking Beam Weldment	507096
9	Spindle	507099
11	Grease Seal	300030
12	Inner Bearing, JL69349	300031

Ref#	Description	Part#
13	Inner Race, JL69310	300032
14	Hub	300033
15	1/2" Lug Bolt	300037
16	Outer Race, LM67010	300034
17	Outer Bearing, LM67048	300035
18	Spindle Washer	300283
19	Spindle Nut	300281
20	Dust Cap	300036
21	Cotter Pin, 5/32 x 1-3/4	300282
22	Hub Complete	300122
23	Locknut, 1/2	000950



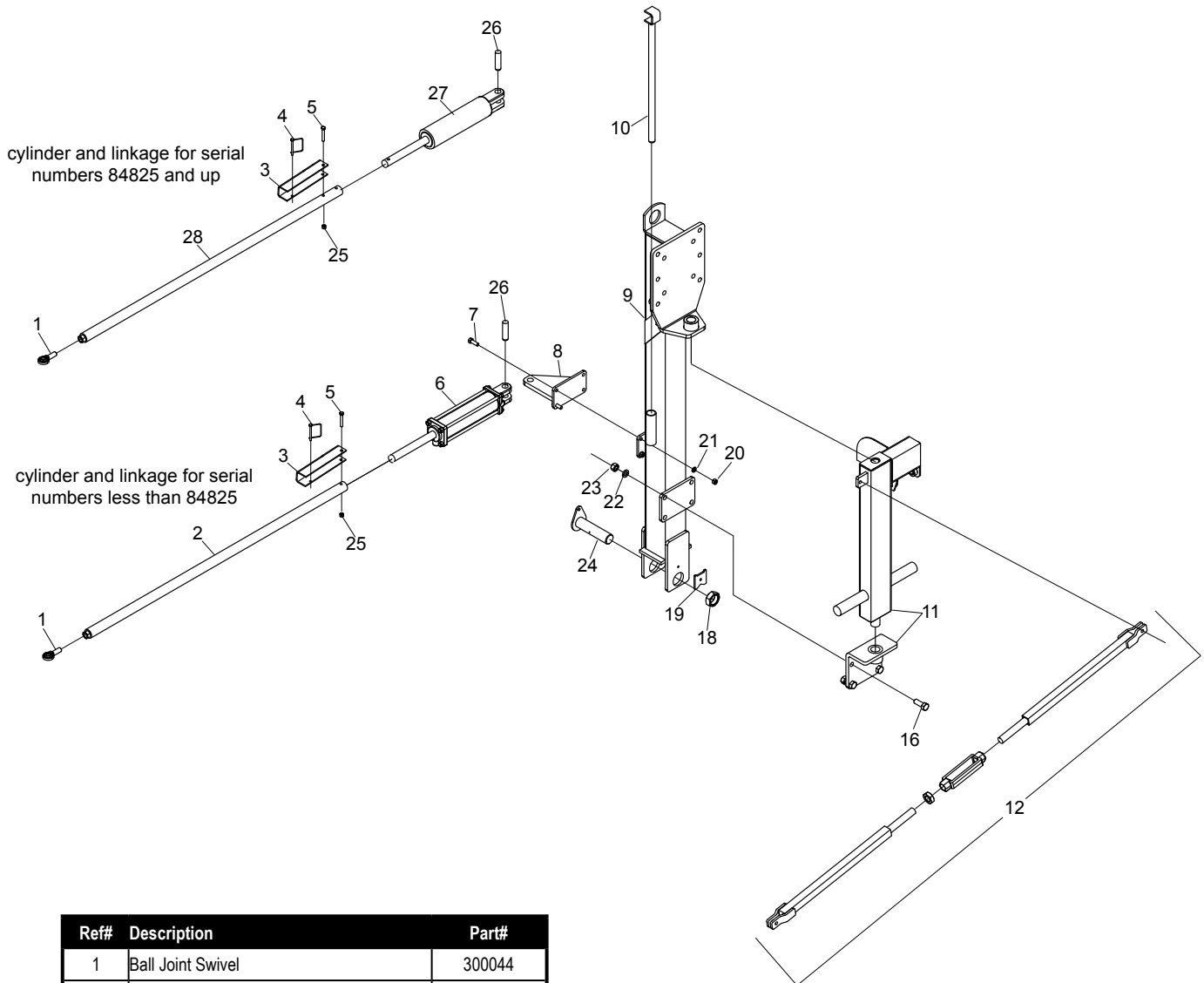
# Hydraulic Components



Ref#	Description	Part#
1	Plug, 6408-8	5PQ507210
2	5 Bank Manifold	5PQ507205
3	Elbow Fitting, 6801-6-6	5PQ507287
4	132" Hose Assembly	5PQ507192
5	14" Hose Assembly	5PQ507193
6	48" Hose Assembly	5PQ507191
7	Hydraulic "T" Fitting, 2603-6	5PQ507201
8	Elbow Fitting, ADLL6801-6-6	5PQ507284
9	Straight Fitting	5PQ507283
10	Flow Divider	5PQ507334
11	20" Hose Assembly	5PQ507296

Ref#	Description	Part#
13	Elbow Fitting, 6801-6-8	5PQ507281
14	Straight Fitting, 6400-8-8	5PQ507282
15	102" Hose Assembly	5PQ507297
16	Straight Fitting, 2404-8-6	5PQ507209
17	Check Valve	5PQ507207
18	Straight Fitting, 6401-8-6	5PQ507208
19	12V DC Valve	5PQ507204
20	Flat Washer, 1/4	5PQ001020
21	Bolt, 1/4 x 3-1/2	5PQ000160
22	Flow Divider Cartridge	5PQ507457
	Open Center Hyd Option Kit	5PQ507218

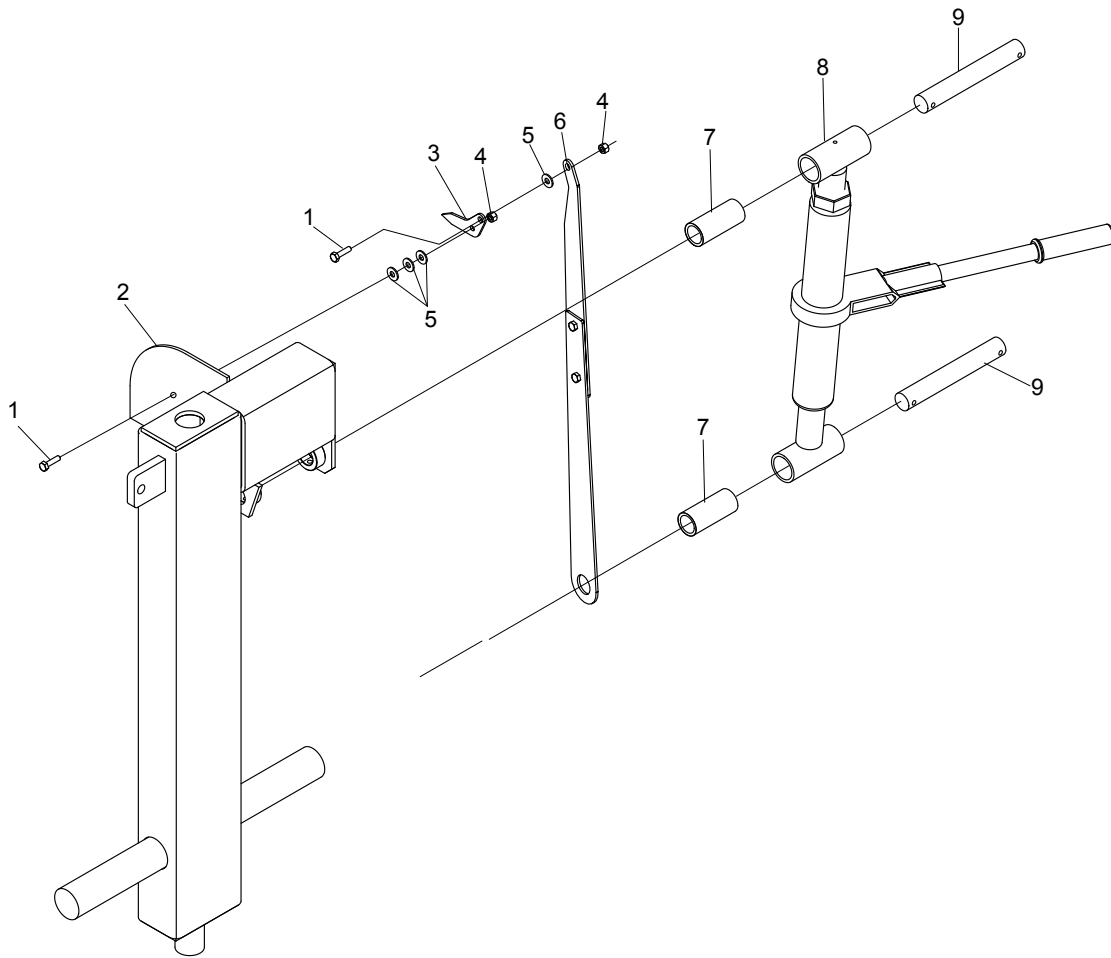
# Tower Assembly



Ref#	Description	Part#
1	Ball Joint Swivel	300044
2	Cylinder Linkage	507279
3	Locking Bracket	507220
4	Snapper Pin, 1/4 x 2-1/2	507186
5	Bolt, 3/8 x 2-1/2	000300
6	Tie Rod Cylinder	507181
7	Bolt, 1/2 x 1-1/2	000435
8	Cylinder Bracket	507119
9	Tower Weld Assembly, Right	507292
*	Tower Weld Assembly, Left	507291
10	Handle	507017
11	Main Arm Swivel, Right	507236
*	Main Arm Swivel, Left	507235
12	Stabilizing Arm Assembly	507151
16	Bolt, 3/4 x 2	000760

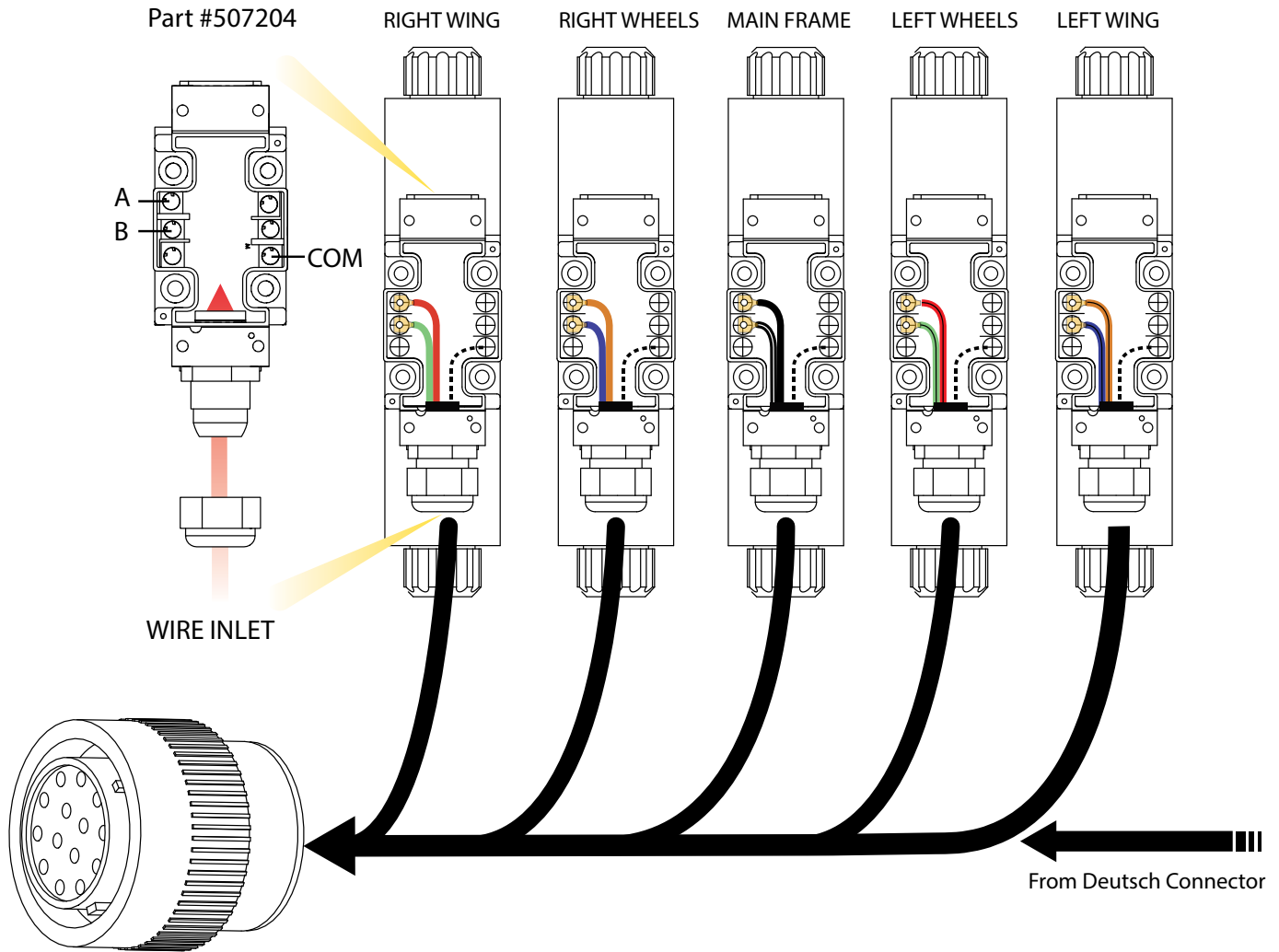
Ref#	Description	Part#
18	Jam Nut, 1-3/4	507143
19	Locking Plate	507141
20	Nut, 1/2	000940
21	Lock Washer, 1/2	000840
22	Lock Washer, 3/4	000870
23	Nut, 3/4	000975
24	Walking Beam Pin	507097
25	Locknut, 3/8	003000
26	Cylinder Pin	507273
27	Welded Cylinder	507335
28	Cylinder Linkage	507228

# Quick Pitch Components

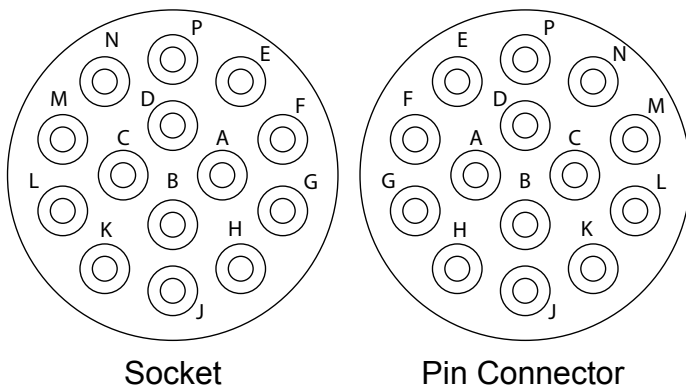


Ref#	Description	Part#
1	Bolt, 1/4 x 1	100148
2	Arm Swivel Assembly, Right	507236
*	Arm Swivel Assembly, Left	507235
3	Pitch Indicator	507234
4	Locknut, 1/4	003001
5	Flatwasher, 1/4	001020
6	Indicator Linkage S/N 800152+ (Can be installed on any WR5417, regardless of S/N)	507524
7	Bronze Bushing	500278
8	Ratchet Assembly	507230
9	Ratchet Pivot Shaft	507263

# Nachi Valve and Plug Wiring

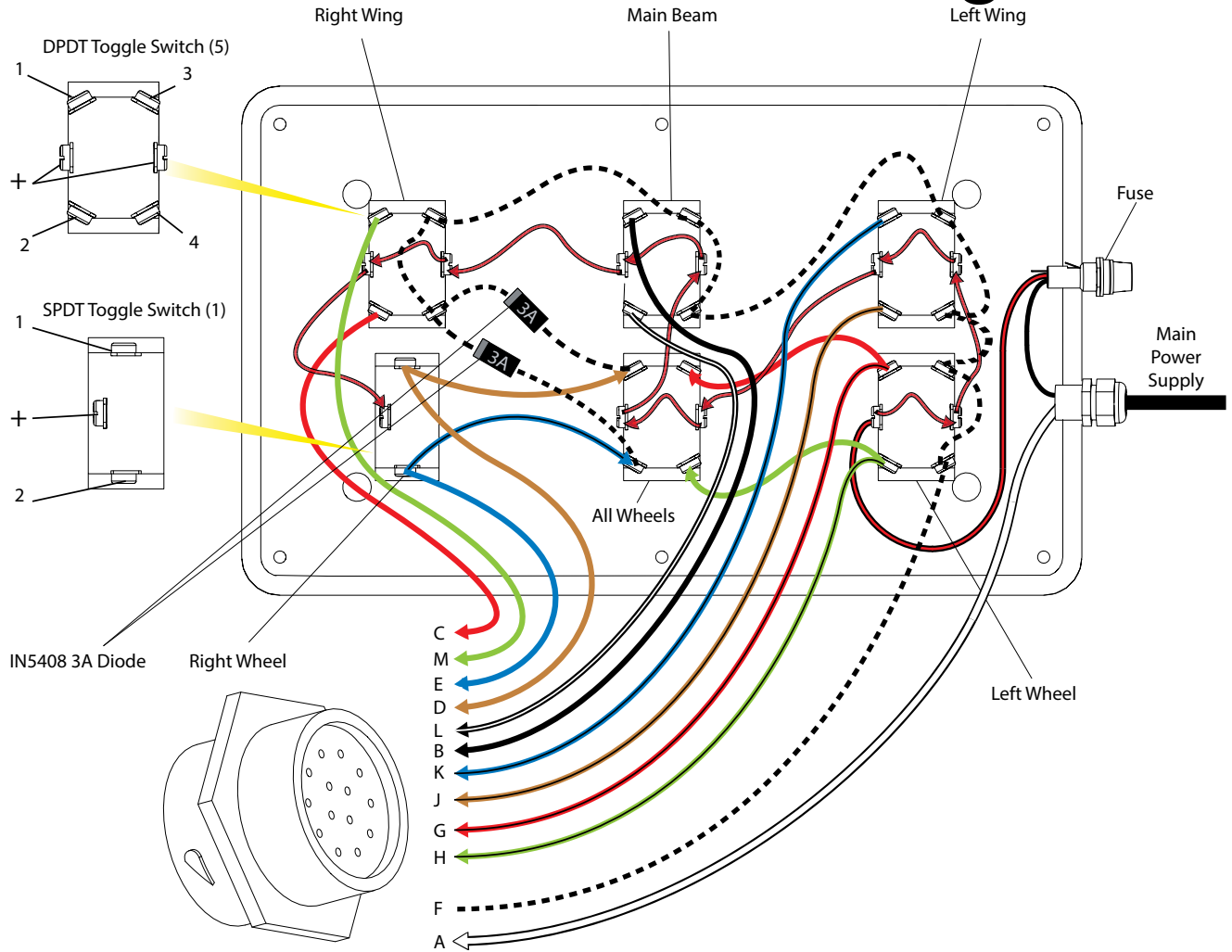


	Right Wing	Right Wheels	Main Frame	Left Wheels	Left Wing
"A" (pressure)	Red	Orange	Black	Red Striped	Orange Striped
"B" (Tank)	Green	Blue	Black Striped	Green Striped	Blue Striped
"C" (Common)	White	White	White	White	White



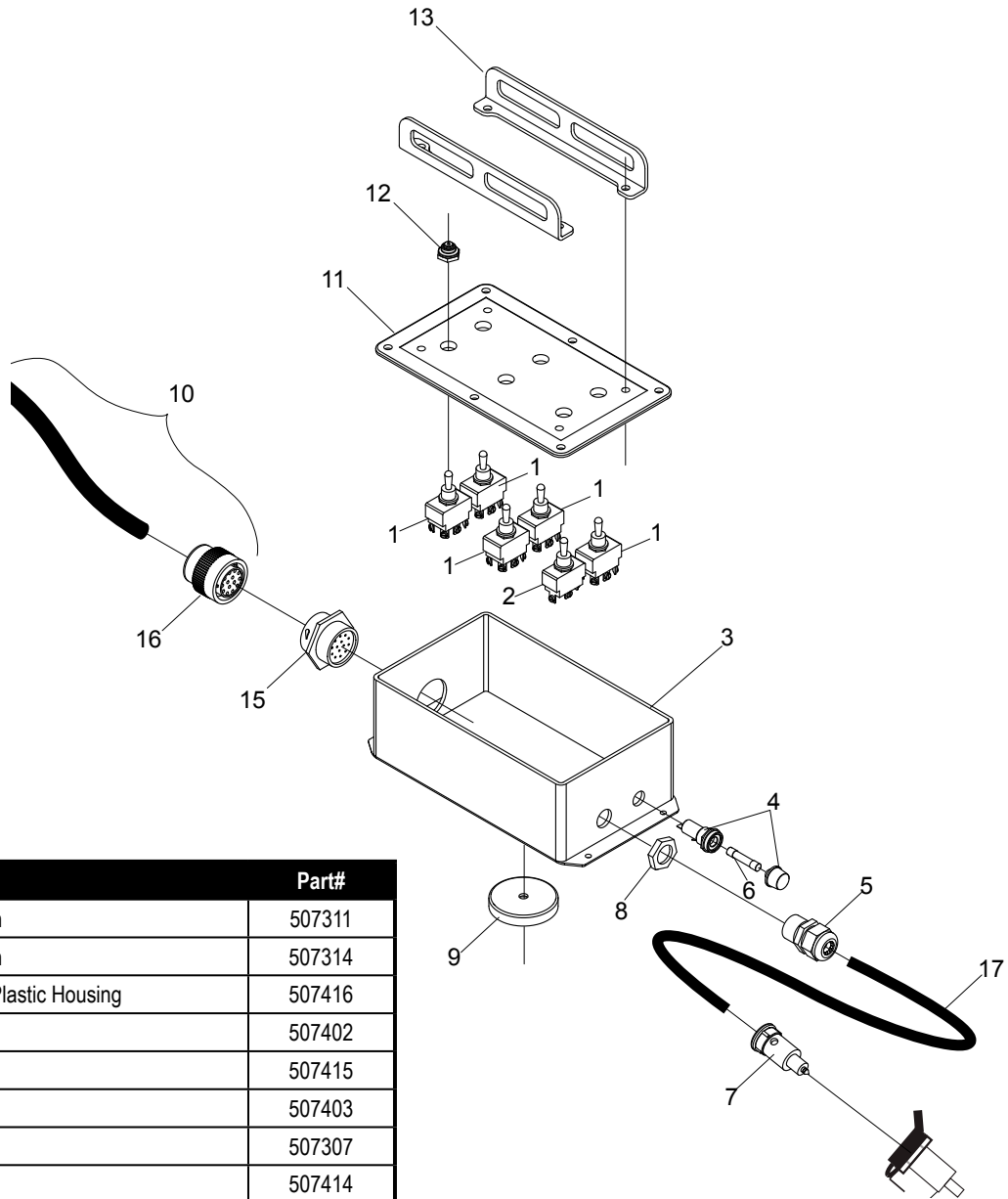
Plug Number	Color
A	White
B	Black
C	Red
D	Orange
E	Blue
F	White w/Black
G	Red w/Black
H	Green w/Black
J	orange w/Black
K	Blue w/Black
L	Black w/White
M	Green
N	NONE
P	NONE

# Switch Board Wire Diagram



Switch	Port	Wire Color
Right Wing	1	Green
	2	Red
Main Beam	1	Black
	2	Black Striped
Left Wing	1	Blue Striped
	2	Orange Striped
Right Wheel	1	Orange
	2	Blue
All Wheels	1	Orange Jumper
	2	Blue Striped Jumper
	3	Red Jumper
	4	Green Jumper
Left Wheel	1	Red Striped
	2	Green Striped
Power Wire (+)		Red Power Cable
Open Center		White (Dashed Line)
Main Power Supply		Black (Hot)
		White (Ground)

# Control Box



Ref#	Description	Part#
1	Toggle Switch	507311
2	Toggle Switch	507314
3	Control Box Plastic Housing	507416
4	Fuse Holder	507402
5	Cord Grip	507415
6	10 Amp Fuse	507403
7	Plug	507307
8	Locking Nut	507414
9	Magnet	800450
10	Complete Wiring Harness	507401
11	Control Box Lid	507406
12	Toggle Switch Half Boot	507413
13	Switch Guard	507408
14	European Female Plug	507324
15	14 Pin Receptacle	507417
16	Plastic Plug	507445
17	Cable (Specify length upon order)	290168
	Complete Control Box	507400