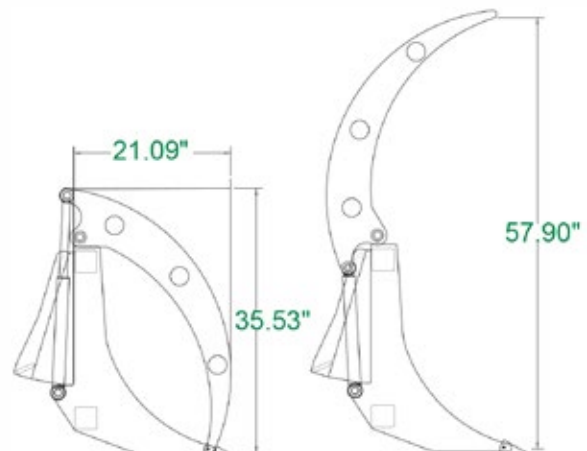


Our X-treme Grapple Rakes are ideal for raking up debris. The grapples can then be used to load the debris into a dump truck. The shape of the grapple rake makes it easy to roll debris into tight piles if you are planning to burn. A single grapple or two independent grapples are available. We use twin 2" bore by 10" stroke cylinders, rated at 4,000 psi to handle the toughest jobs. Our X-treme Grapple Rakes are built with 1/2" top quality steel and come standard with 23 series teeth. Our Grapple Rake fully opens to 57.90 inches.

## X-treme Grapple Rake Specs



- Available as a single grapple or two independent grapples
- Twin 2" bore by 10" stroke cylinders
- Unique design makes it easy to roll debris into tight piles
- X-treme sizes: 63", 72", 81", 84", 96"