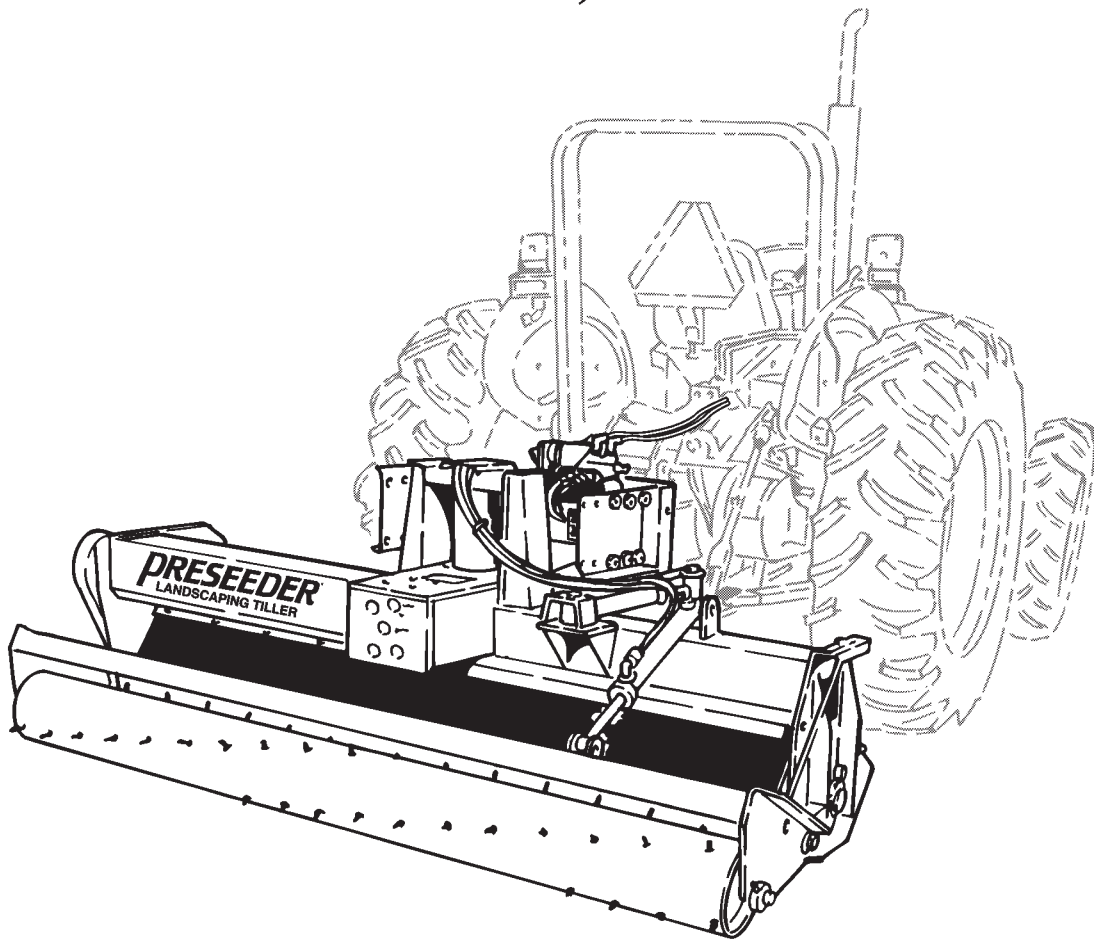


PRESEEDER[®] LANDSCAPING TILLER

PARTS MANUAL

FOR

MODELS 605, 725 & 805



ATI 
CORPORATION

New Holland, PA 17557
Phone (717) 354-8721 • FAX (717) 354-2162
1-800-342-0905
www.preseeder.com

MARCH 2004
CAT.# PS605725805PM-0304

COPYRIGHT 2004 by
ATI Corporation
New Holland, PA 17557 U.S.A.

DISCLAIMER

THE INFORMATION IN THIS MANUAL IS PROVIDED TO PROMOTE THE SAFE USE OF, AND ASSIST THE OPERATOR IN ACHIEVING THE BEST PERFORMANCE FROM, MODELS 605, 725 and 805 Preseeder® Landscaping Tillers DESCRIBED HEREIN, FOR THEIR INTENDED APPLICATIONS.

Preseeder® is a registered trademark of ATI Corporation.

Preseeder tiller Models 605, 725 & 805 PARTS LIST

TABLE OF CONTENTS



New Holland, PA 17557
Phone (717) 354-8721 • FAX (717) 354-2162
1-800-342-0905
www.preseeder.com

SUBJECT	PAGE NO.
WARRANTY	iv
SERIAL NUMBER INFORMATION	iv
WHERE TO GET PARTS AND SERVICE	iv
HOW TO ORDER PARTS	v
LIST OF PARTS ILLUSTRATIONS	1



New Holland, PA 17557
 Phone (717) 354-8721 • FAX (717) 354-2162
 1-800-342-0905
 www.preseeder.com

Preseeder tiller Models 605, 725 & 805 PARTS LIST

WARRANTY, SERIAL NUMBERS, PARTS & SERVICE

WARRANTY

This Preseeder tiller is designed and manufactured to high quality standards. ATI Corporation, therefore, guarantees this tiller to be free from defect in workmanship and materials for three years from purchase date. **If the machine is used for rental purposes, the warranty is limited to ninety (90) days.**

Rotor teeth and normal wear are not covered by this warranty.

Misuse, abuse, misapplication, and unauthorized alterations will void this warranty.

SERIAL NUMBER INFORMATION

It is very important that the correct serial number is provided when ordering parts. The serial number plate is located on the front right (non-drive end) corner of the main frame. Earlier units utilized a seven-digit alpha-numerical code, while newer models now use a four digit numeric-only. For instance, a unit with serial number E59893W was built before the unit with serial number 1000. Please mark the model and serial number of your Preseeder in the space provided below in case the plate on your preseeder gets lost or damaged.

Model **Serial Number**

Dealer Name **Dealer Phone Number**

WHERE TO GET PARTS AND SERVICE

When replacement parts and service are required for your Preseeder Tiller, ATI Corporation recommends returning to the equipment dealer from which the machine was purchased. By going to the dealer, you are working with people that understand and know your machine. Our dealers have the experience servicing these machines and stock the most common parts required to keep your Preseeder in top working condition.

NOTE:

ATI Corporation reserves the right to discontinue models at any time, change specifications, and improve design without notice and without incurring obligation on goods previously purchased and to discontinue supplying any part listed, when the demand does not warrant production.

Preseeder tiller Models 605, 725 & 805 PARTS LIST

HOW TO ORDER PARTS



New Holland, PA 17557
Phone (717) 354-8721 • FAX (717) 354-2162
1-800-342-0905
www.preseeder.com

Parts lists contained in this book have been prepared to help you when ordering spare and/or replacement parts. Your order will be filled promptly and accurately when the following information is provided:

1. Model and serial number of the unit. (This specifically identifies the equipment you have and permits us to verify the part numbers in your order.)
2. The parts list page number and catalog number. Include catalog revision number, if applicable.
3. The **Item** number for each part. **Item** numbers on the parts list page correspond with the numbers shown on the illustration.
4. **Part Number** as it appears in the parts list. In most cases this will be a nine-digit number; for example: 200-147-000.
5. The **Description** for the part as it appears on the parts list page.

When a complete assembly is needed, use the assembly number given in the parts list. If no assembly number is given, order by main assembly title and list only the item numbers you want. For example: "PTO Shaft Assembly per 000-176-025, Items 6 through 12, inclusive".

The part ordered may have a new part number, or the part may have been replaced by a newer design with a different part number. In these cases your acknowledgement, shipping papers and invoices will be written listing the current part number first; the old part number you referred to will follow the part description.

Our purpose in doing this is to tell you that the parts are fully interchangeable. This will avoid any unnecessary correspondence or delay in processing your order. We suggest that you add any new number to your parts lists for future use.

Preseeder tiller Models 605, 725 & 805 PARTS LIST



New Holland, PA 17557
Phone (717) 354-8721 • FAX (717) 354-2162
1-800-342-0905
www.preseeder.com

LIST OF PARTS ILLUSTRATIONS

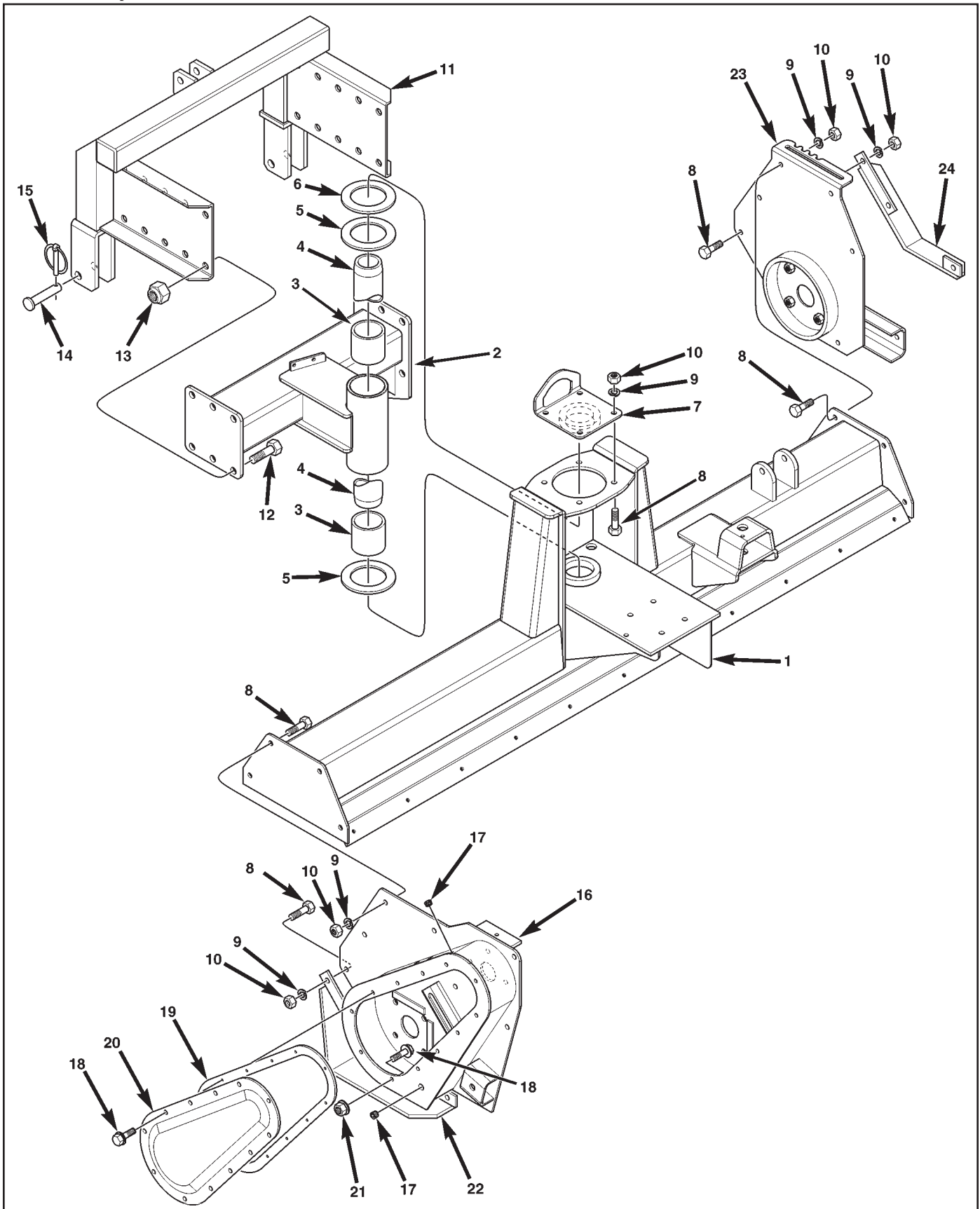
Figure 1. Main and Pivot Frame Assemblies; 3-Point Hitch; End Plates ASN 1706	2
Figure 2. Main and Pivot Frame Assemblies; 3-Point Hitch; End Plates BSN1707 - ASN1260	4
Figure 3. Main and Pivot Frame Assemblies; 3-Point Hitch; End Plates BSN 1261	6
Figure 4. Rotor and Drive Assembly ASN 1260	8
Figure 5. Rotor and Drive Assembly BSN 1261	12
Figure 6. Front and Rear Shields	16
Figure 7. Rear Roller and Depth Gauge	18
Figure 8. Hydraulic System - Standard ASN 1260	20
Figure 9. Hydraulic System - Standard BSN 1261	22
Figure 10. Hydraulic System - with Diverter Valve (Optional) ASN 1400	24
Figure 11. Hydraulic System - with Diverter Valve (Optional) BSN 1401 - ASN 1260	26
Figure 12. Hydraulic System - with Diverter Valve (Optional) BSN 1261	28
Figure 13. Electro Diverter Valve Installation (Optional)	30
Figure 14. Manual Diverter Valve Installation (Optional)	32
Figure 15. PTO Shaft Assembly	34
Figure 16. Friction Clutch Assembly	36
Figure 17. Seedbox Assembly Model 805 Only (Optional)	38
Figure 18. Cylinder Assembly (Angle)	40
Figure 19. Cylinder Assembly (Depth)	42
Figure 20. Decals	44



New Holland, PA 17557
Phone (717) 354-8721 • FAX (717) 354-2162
1-800-342-0905
www.preseeder.com

Preseeder tiller Models 605, 725 & 805 PARTS LIST

Figure 1. Main and Pivot Frame Assemblies; 3-Point Hitch; End Plates
ASN 1706



Preseeder tiller Models 605, 725 & 805 PARTS LIST



New Holland, PA 17557
Phone (717) 354-8721 • FAX (717) 354-2162
1-800-342-0905
www.preseeder.com

**Figure 1. Main and Pivot Frame Assemblies; 3-Point Hitch; End Plates
ASN 1706**

Item	Part No.	Qty	Description
1	200-236-000	1	Frame, Main (Model 605) ASN 1260
	200-289-000	1	Frame, Main (Model 725)
	200-237-000	1	Frame, Main (Model 805) ASN 1260
2	200-290-000	1	Frame, Pivot (Models 605, 725 & 805) ASN 1400
	200-151-000	1	Frame, Pivot (Models 605 & 805) BSN 1401
3	000-176-024	2	Bushing, Nylon, 3-1/2" OD x 3" ID x 2" Long
4	200-189-000	1	Pin, King
5	000-155-014	2	Washer, 4-1/4" OD x 3" ID x 14 Gauge WR
6	000-155-015	AR	Washer, Shim, 4-1/4" OD x 3" ID x 18 Gauge WR
7	200-238-000	1	Plate, Top Hinge
8	LP	AR	Capscrew, Hex Head, 1/2"-13UNC x 1-1/4" Long
9	LP	AR	Washer, Lock, 1/2"
10	LP	AR	Nut, Hex, 1/2"-13UNC
11	200-154-000	1	Hitch, 3-Point
12	LP	AR	Capscrew, Hex Head, 3/4"-16UNF x 1-3/4" Long
13	LP	AR	Nut, Hex Nylon Lock, 3/4"-16UNF
14	000-161-001	2	Pin, Hitch, 7/8" x 4" Long
15	000-161-028	2	Pin, Lynch, Locking, 7/16"
16	200-279-000	1	End Plate, Chain Enclosure, Left Hand
17	000-166-001	2	Plug, Pipe, 3/8"
18	LP	12	Capscrew, Hex Head, Serrated Flange, 5/16"-18UNC x 3/4" Long
19	200-239-000	1	Gasket, Cover, Chain Enclosure
20	200-242-000	1	Cover, Access, Chain Enclosure
21	LP	2	Nut, Hex, Flange, 5/16"-18UNC
22	200-157-000	1	Skid Shoe, End Plate, Left Hand
23	200-280-000	1	End Plate, Right Hand
24	200-158-000	1	Shoe, Skid, End Plate, Right Hand

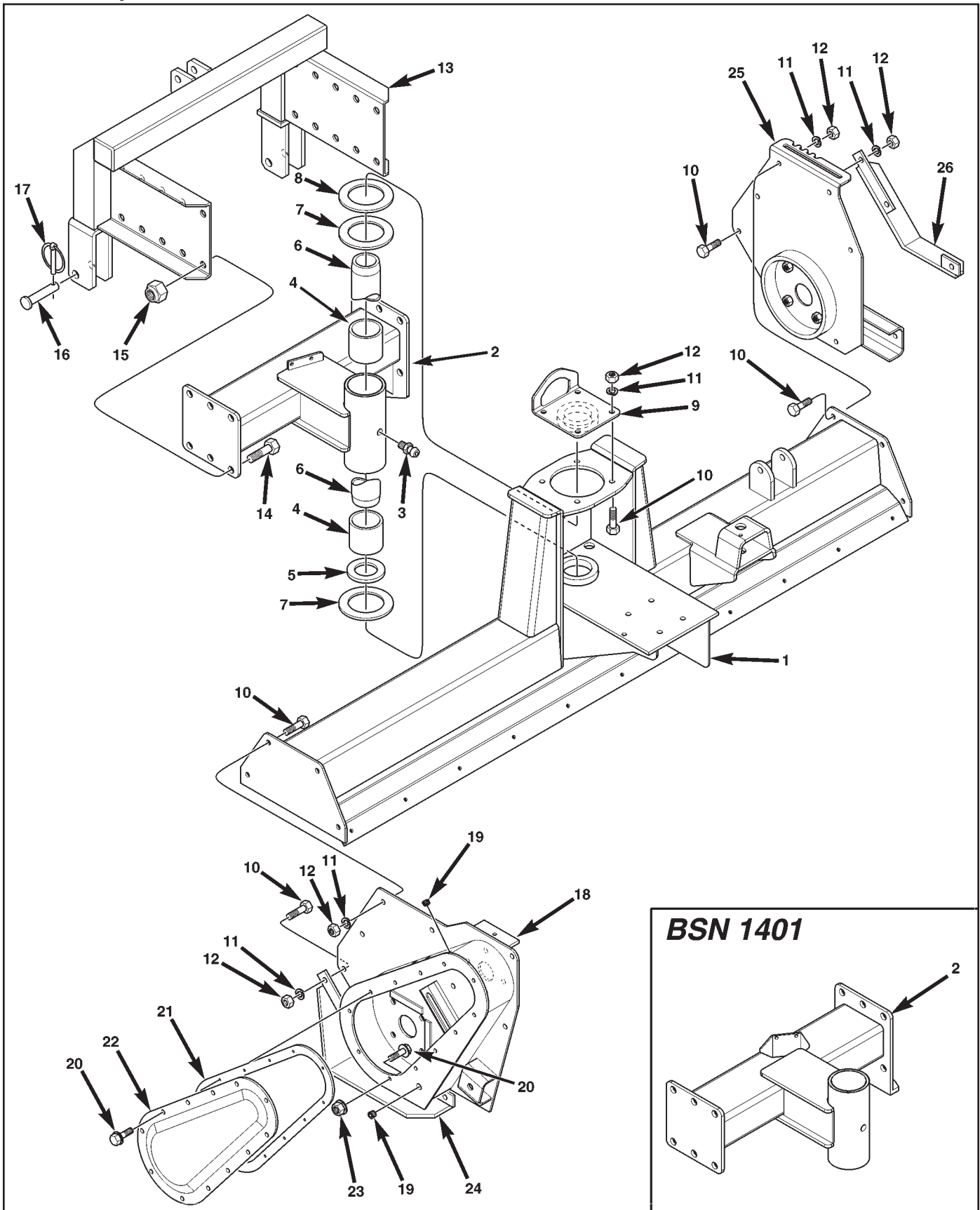
AR - As Required NSS - Not Serviced Separately ASN - After Serial No. BSN - Before Serial No. LP - Local Purchase



New Holland, PA 17557
Phone (717) 354-8721 • FAX (717) 354-2162
1-800-342-0905
www.preseeder.com

Preseeder tiller Models 605, 725 & 805 PARTS LIST

Figure 2. Main and Pivot Frame Assemblies; 3-Point Hitch; End Plates
BSN 1707 - ASN 1260



Preseeder tiller Models 605, 725 & 805 PARTS LIST



New Holland, PA 17557
Phone (717) 354-8721 • FAX (717) 354-2162
1-800-342-0905
www.preseeder.com

**Figure 2. Main and Pivot Frame Assemblies; 3-Point Hitch; End Plates
BSN 1707 - ASN 1260**

Item	Part No.	Qty	Description
1	200-236-000	1	Frame, Main (Model 605) ASN 1260
	200-289-000	1	Frame, Main (Model 725)
	200-237-000	1	Frame, Main (Model 805) ASN 1260
2	200-290-000	1	Frame, Pivot (Models 605, 725 & 805) ASN 1400
	200-151-000	1	Frame, Pivot (Models 605 & 805) BSN 1401
3	000-166-002	1	Fitting, Lube, Drive, 3/16"
4	000-176-024	2	Bushing, Carbon Steel, 3-1/2" OD x 3" ID x 2" Long
5	000-176-001	1	Seal, Grease, 3-1/2" OD x 3" ID x 5/16" Thick
6	200-189-000	1	Pin, King
7	000-155-014	2	Washer, 4-1/4" OD x 3" ID x 14 Gauge WR
8	000-155-015	AR	Washer, Shim, 4-1/4" OD x 3" ID x 18 Gauge WR
9	200-238-000	1	Plate, Top Hinge
10	LP	AR	Capscrew, Hex Head, 1/2"-13UNC x 1-1/4" Long
11	LP	AR	Washer, Lock, 1/2"
12	LP	AR	Nut, Hex, 1/2"-13UNC
13	200-154-000	1	Hitch, 3-Point
14	LP	AR	Capscrew, Hex Head, 3/4"-16UNF x 1-3/4" Long
15	LP	AR	Nut, Hex Nylon Lock, 3/4"-16UNF
16	000-161-001	2	Pin, Hitch, 7/8" x 4" Long
17	000-161-028	2	Pin, Lynch, Locking, 7/16"
18	200-279-000	1	End Plate, Chain Enclosure, Left Hand
19	000-166-001	2	Plug, Pipe, 3/8"
20	LP	12	Capscrew, Hex Head, Serrated Flange, 5/16"-18UNC x 3/4" Long
21	200-239-000	1	Gasket, Cover, Chain Enclosure
22	200-242-000	1	Cover, Access, Chain Enclosure
23	LP	2	Nut, Hex, Flange, 5/16"-18UNC
24	200-157-000	1	Skid Shoe, End Plate, Left Hand
25	200-280-000	1	End Plate, Right Hand
26	200-158-000	1	Shoe, Skid, End Plate, Right Hand

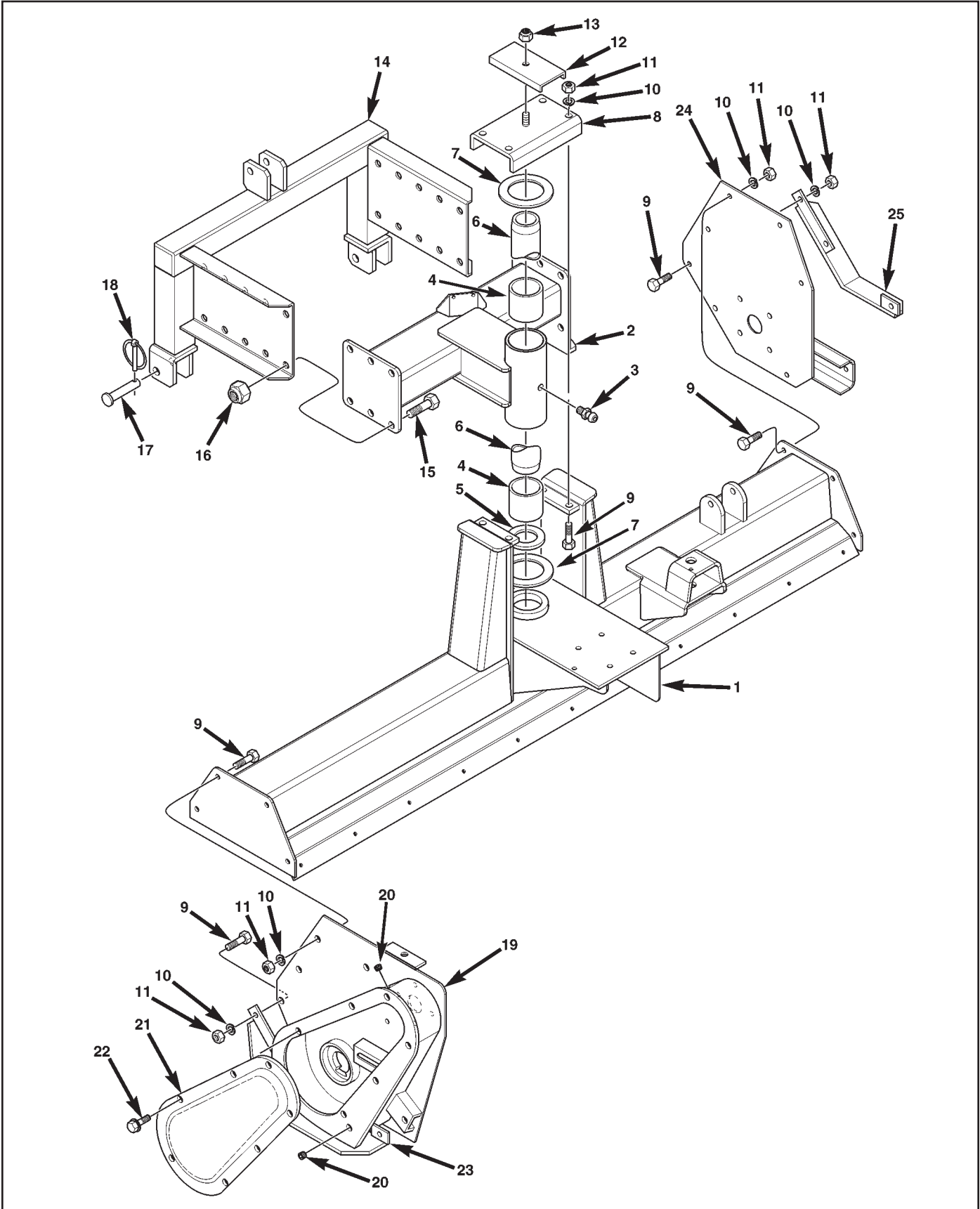
AR - As Required NSS - Not Serviced Separately ASN - After Serial No. BSN - Before Serial No. LP - Local Purchase



New Holland, PA 17557
Phone (717) 354-8721 • FAX (717) 354-2162
1-800-342-0905
www.preseeder.com

Preseeder tiller Models 605, 725 & 805 PARTS LIST

Figure 3. Main and Pivot Frame Assemblies; 3-Point Hitch; End Plates;
BSN 1261



Preseeder tiller Models 605, 725 & 805 PARTS LIST



New Holland, PA 17557
Phone (717) 354-8721 • FAX (717) 354-2162
1-800-342-0905
www.preseeder.com

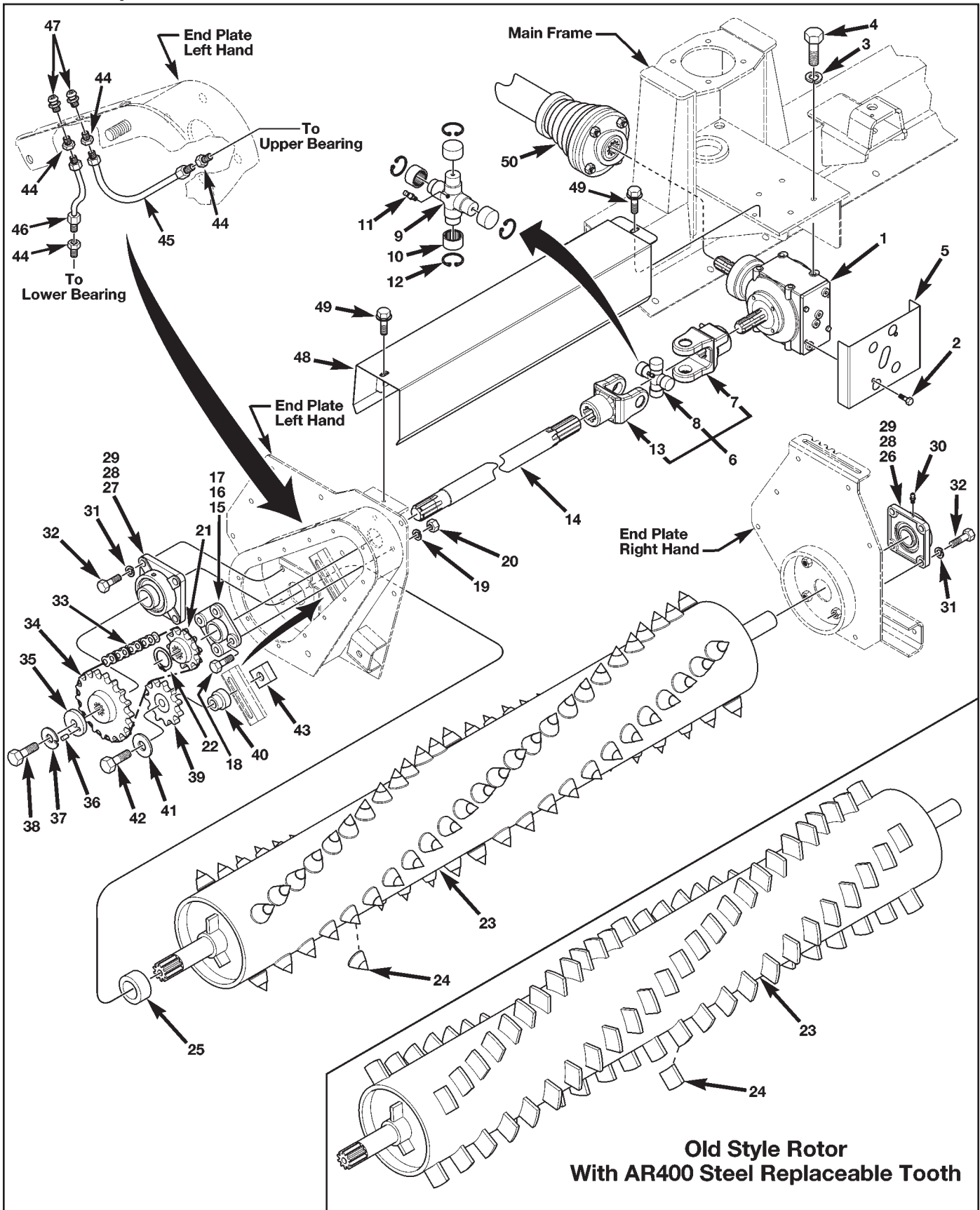
**Figure 3. Main and Pivot Frame Assemblies; 3-Point Hitch; End Plates;
BSN 1261**

Item	Part No.	Qty	Description
1	200-149-000	1	Frame, Main (Model 605)
	200-150-000	1	Frame, Main (Model 805)
2	200-151-000	1	Frame, Pivot (Models 605 & 805)
3	000-166-002	1	Fitting, Lube, Drive, 3/16"
4	000-176-024	2	Bushing, Carbon Steel, 3-1/2" OD x 3" ID x 2" Long
5	000-176-001	1	Seal, Grease, 3-1/2" OD x 3" ID x 5/16" Thick
6	200-189-000	1	Pin, King
7	000-155-014	2	Washer, 4-1/4" OD x 3" ID x 14 Gauge WR
8	200-152-000	1	Plate, Top Hinge
9	LP	AR	Capscrew, Hex Head, 1/2"-13UNC x 1-1/4" Long
10	LP	AR	Washer, Lock, 1/2"
11	LP	AR	Nut, Hex, 1/2"-13UNC
12	200-153-000	1	Clamp, Hose
13	LP	1	Nut, Hex, Nylon Lock, 5/16"-18UNC
14	200-154-000	1	Hitch, 3-Point
15	LP	AR	Capscrew, Hex Head, 3/4"-16UNF x 1-3/4" Long
16	LP	AR	Nut, Hex Nylon Lock, 3/4"-16UNF
17	000-161-001	2	Pin, Hitch, 7/8" x 4" Long
18	000-161-028	2	Pin, Lynch, Locking, 7/16"
19	200-155-000	1	End Plate, Chain Enclosure, Left Hand
20	000-166-001	2	Plug, Pipe, 3/8"
21	200-103-000	1	Cover, Access
22	LP	AR	Capscrew, Hex Head, Flanged, 5/16"-18UNC x 3/4" Long
23	200-157-000	1	Skid Shoe, End Plate, Left Hand
24	200-156-000	1	End Plate, Right Hand
25	200-158-000	1	Shoe, Skid, End Plate, Right Hand

AR - As Required NSS - Not Serviced Separately ASN - After Serial No. BSN - Before Serial No. LP - Local Purchase

Preseeder tiller Models 605, 725 & 805 PARTS LIST

Figure 4. Rotor and Drive Assembly
ASN 1260



Preseeder tiller Models 605, 725 & 805 PARTS LIST

Figure 4. Rotor and Drive Assembly
ASN 1260



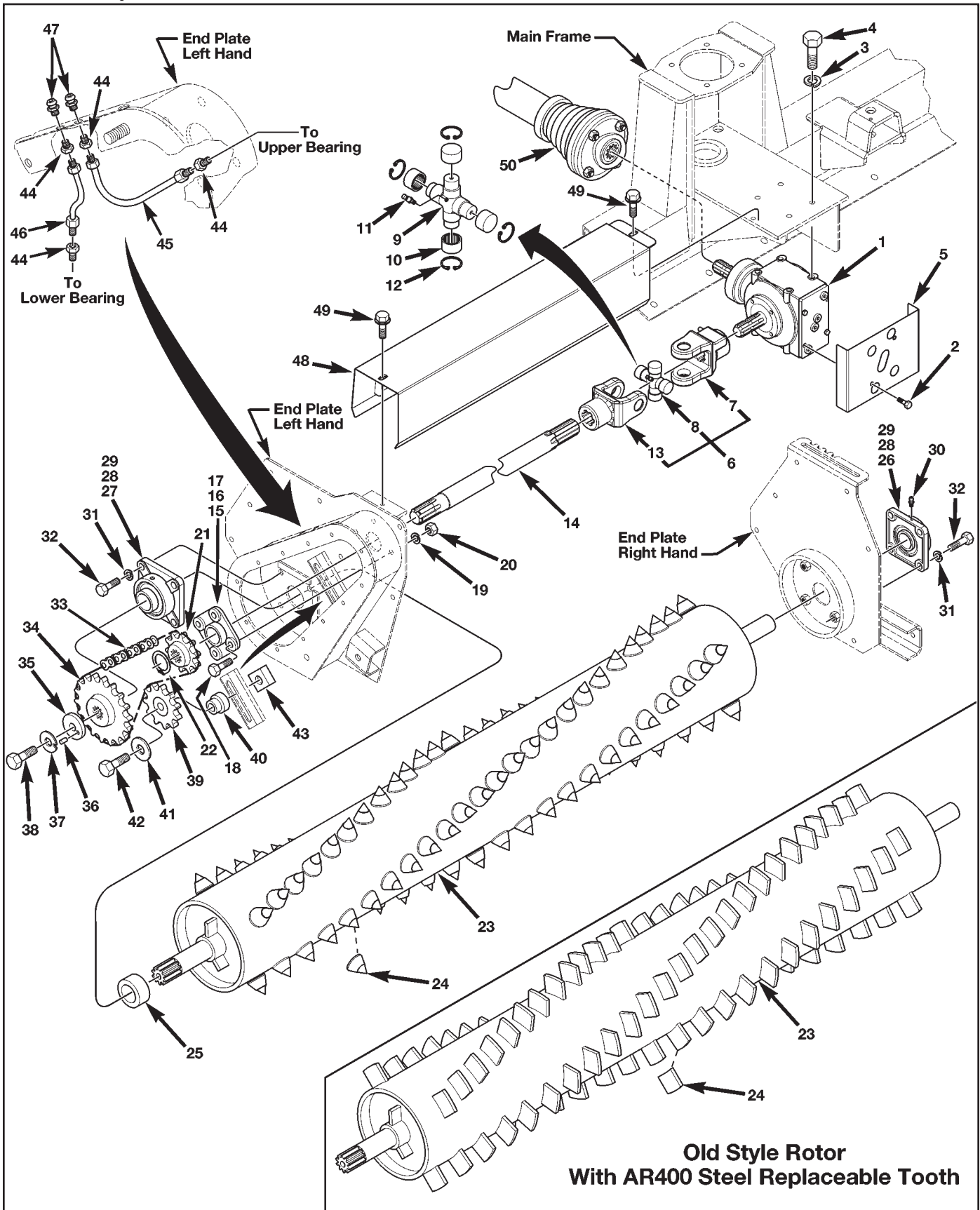
New Holland, PA 17557
Phone (717) 354-8721 • FAX (717) 354-2162
1-800-342-0905
www.preseeder.com

Item	Part No.	Qty	Description
1	000-176-002	1	Gearbox, Includes Item 2
2	LP	2	Capscrew, M8-1.25 x 20mm Long
3	LP	AR	Washer, Lock, M12
4	LP	AR	Capscrew, Hex Head, M12-1.75 x 30mm Long
5	200-159-000	1	Cover, Gearbox
6	000-176-003	1	Joint Assembly, Universal, Includes Items 7 thru 13
7	000-176-004	1	Yoke, Gearbox
8	000-176-006	1	Kit, Joint Assembly, Universal, Includes Items 9 thru 12
9	NSS	1	Cross
10	NSS	4	Bearing
11	NSS	1	Fitting, Lube, 45°
12	NSS	4	Ring, Retainer
13	000-176-005	1	Yoke, Drive Shaft
14	200-170-000	1	Shaft, Drive (Model 605)
	200-288-000	1	Shaft, Drive (Model 725)
	200-171-000	1	Shaft, Drive (Model 805)
15	000-176-007	1	Bearing Assembly, Drive Shaft Includes Items 16 and 17
16	000-176-008	1	Flange Only
17	000-176-009	1	Bearing Insert Only
18	LP	AR	Capscrew, Hex Head, 1/2"-13UNC x 1-1/2" Long
19	LP	AR	Washer, Lock, 1/2"
20	LP	AR	Nut, Hex, 1/2"-13UNC
21	000-176-010	1	Sprocket, Drive, Drive Shaft, #80 (Model 605)
	000-176-140	1	Sprocket, Drive, Drive Shaft, #100 (Models 725 & 805)
22	000-161-002	1	Snap Ring
23	200-284-000	1	Rotor, With Carbide Teeth (Model 605)
	200-291-000	1	Rotor, With Carbide Teeth (Model 725)
	200-285-000	1	Rotor, With Carbide Teeth (Model 805)
	200-122-000	1	Rotor, With AR400 Steel Replaceable Teeth (Model 605)
	200-129-000	1	Rotor, With AR400 Steel Replaceable Teeth (Model 805)
24	001-001-011	AR	Tooth, Carbide
	200-114-000	AR	Tooth, Rotor, AR400 Steel, Chamfered (Replacement)
25	200-240-000	1	Bushing, Spacer, 2-1/8" OD x 5/32" Wall x 1/2" Wide
26	000-176-141	1	Bearing Assembly, Rotor Shaft, Right Hand, Includes Items 28 thru 30
27	000-176-142	1	Bearing Assembly, Rotor Shaft, Left Hand, Includes Items 28 and 29
28	000-176-143	2	Flange Only
29	000-176-144	2	Bearing Insert Only
30	LP	1	Fitting, Lube
31	LP	AR	Washer, Lock, 9/16"
32	LP	AR	Capscrew, Hex Head, 9/16"-12UNC x 1-3/4" Long
33	000-176-014	1	Chain, Drive, #80H (Model 605)
	000-176-124	1	Link, Master, Chain, #80H
	000-176-145	1	Chain, Drive, #100 (Models 725 & 805), Includes 000-176-146 & 000-176-147
	000-176-146	1	Link, Master, Chain, #100
	000-176-147	1	Link, 1/2, Chain, #100
34	000-176-016	1	Sprocket, Driven, Rotor Shaft, #80 (Model 605)
	000-176-148	1	Sprocket, Driven, Rotor Shaft, #100 (Models 725 & 805)

AR - As Required NSS - Not Serviced Separately ASN - After Serial No. BSN - Before Serial No. LP - Local Purchase

Preseeder tiller Models 605, 725 & 805 PARTS LIST

Figure 4. Rotor and Drive Assembly
ASN 1260



Preseeder tiller Models 605, 725 & 805 PARTS LIST

Figure 4. Rotor and Drive Assembly
ASN 1260



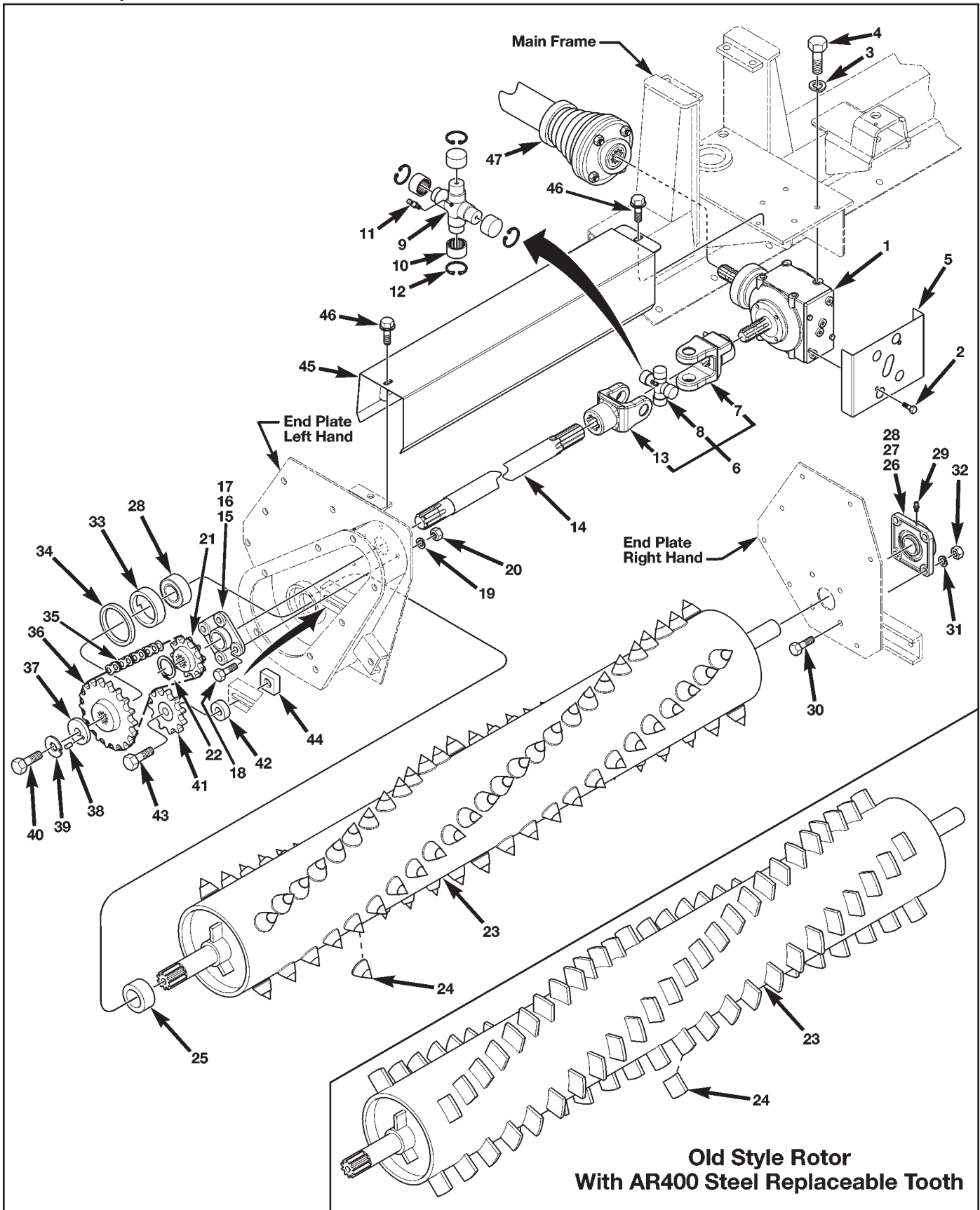
New Holland, PA 17557
Phone (717) 354-8721 • FAX (717) 354-2162
1-800-342-0905
www.preseeder.com

Item	Part No.	Qty	Description
35	200-160-000	1	Washer, Retaining
36	000-161-004	1	Pin, Roll, 3/16" Dia. x 7/8" Long
37	200-161-000	1	Washer, Keeper
38	LP	1	Capscrew, Hex Head, 1/2"-13UNC x 1" Long
39	000-176-019	1	Sprocket, Idler, #80, With Bearing (Model 605)
	000-176-149	1	Sprocket, Idler, #100, With Bearing (Models 725 & 805)
40	200-162-000	1	Spacer, Idler (Model 605)
	200-241-000	1	Spacer, Idler (Models 725 & 805)
41	LP	1	Washer, Flat, 3/4", SAE
42	LP	1	Capscrew, Hex Head, 3/4"-16UNF x 2-1/4" Long (Model 605)
	LP	1	Capscrew, Hex Head, 3/4"-16UNF x 2-1/2" Long (Models 725 & 805)
43	200-163-000	1	Nut, Square, 3/4"-16UNF
44	000-166-039	4	Adapter
45	000-166-040	1	Line, Grease, Upper Bearing
46	000-166-041	1	Line, Grease, Lower Bearing
47	000-166-042	2	Fitting, Lube
48	200-164-000	1	Shield, Drive Shaft (Model 605)
	200-292-000	1	Shield, Drive Shaft (Model 725)
	200-165-000	1	Shield, Drive Shaft (Model 805)
49	LP	AR	Capscrew, Hex Head, Flange, 7/16"-14UNC x 3/4" Long
50	000-176-025	1	Shaft Assembly, PTO (Model 605) (See Figure 15 for Breakdown)
	000-176-120	1	Shaft Assembly, PTO (Models 725 & 805) (See Figure 15 for Breakdown)

AR - As Required NSS - Not Serviced Separately ASN - After Serial No. BSN - Before Serial No. LP - Local Purchase

Preseeder tiller Models 605, 725 & 805 PARTS LIST

Figure 5. Rotor and Drive Assembly
BSN 1261



Preseeder tiller Models 605, 725 & 805 PARTS LIST

Figure 5. Rotor and Drive Assembly
BSN 1261



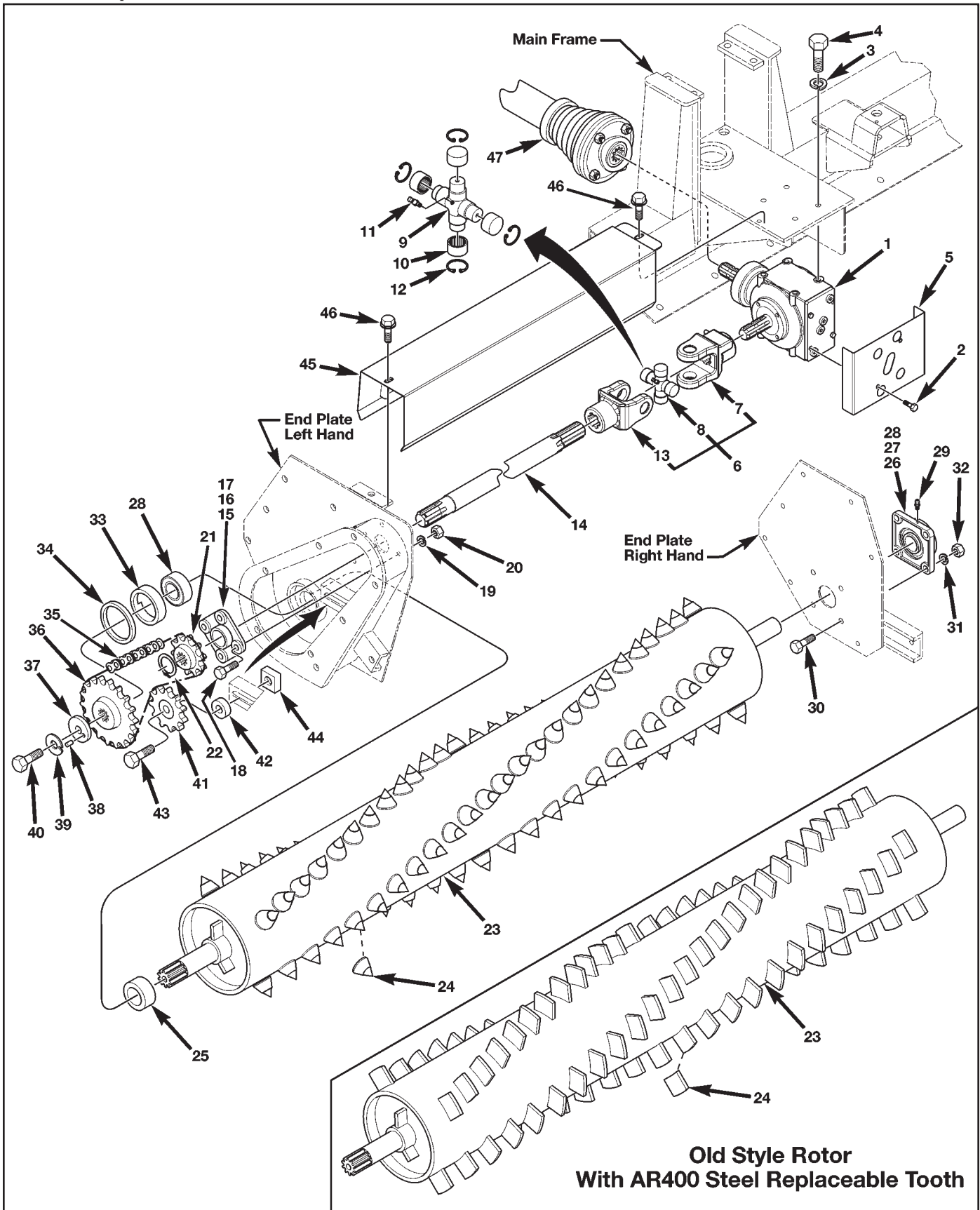
New Holland, PA 17557
Phone (717) 354-8721 • FAX (717) 354-2162
1-800-342-0905
www.preseeder.com

Item	Part No.	Qty	Description
1	000-176-002	1	Gearbox, Includes Item 2
2	LP	2	Capscrew, M8-1.25 x 20mm Long
3	LP	AR	Washer, Lock, M12
4	LP	AR	Capscrew, Hex Head, M12-1.75 x 30mm Long
5	200-159-000	1	Cover, Gearbox
6	000-176-003	1	Joint Assembly, Universal, Includes Items 7 thru 13
7	000-176-004	1	Yoke, Gearbox
8	000-176-006	1	Kit: Universal Assembly, Includes Items 9 thru 12
9	NSS	1	Cross
10	NSS	4	Bearing
11	NSS	1	Fitting, Lube, 45°
12	NSS	4	Ring, Retainer
13	000-176-005	1	Yoke, Drive Shaft
14	200-170-000	1	Shaft, Drive (Model 605)
	200-171-000	1	Shaft, Drive (Model 805)
15	000-176-007	1	Bearing Assembly, Drive Shaft, Includes Items 16 and 17
16	000-176-008	1	Flange Only
17	000-176-009	1	Bearing Insert Only
18	LP	AR	Capscrew, Hex Head, 1/2"-13UNC x 1-1/2" Long
19	LP	AR	Washer, Lock, 1/2"
20	LP	AR	Nut, Hex, 1/2"-13UNC
21	000-176-010	1	Sprocket, Drive, Drive Shaft, #80
22	000-161-002	1	Ring, Snap
23	200-122-000	1	Rotor (Model 605)
	200-129-000	1	Rotor (Model 805)
24	001-001-011	AR	Tooth, Carbide
	200-114-000	AR	Tooth, Rotor, AR400 Steel, Chamfered (Replacement)
25	200-166-000	1	Bushing, Spacer, 2-1/8" OD x 5/32" Wall x 5/8" Wide
26	000-176-011	1	Bearing Assembly, Rotor Shaft, Includes Items 27 thru 29
27	000-176-012	1	Flange Only
28	000-176-013	2	Bearing Insert Only
29	LP	1	Fitting, Lube
30	LP	AR	Capscrew, Hex Head, 9/16"-12UNC x 1-1/2" Long
31	LP	AR	Washer, Lock, 9/16"
32	LP	AR	Nut, Hex, 9/16"-12UNC
33	200-115-000	1	Retainer, Bearing
34	000-161-003	1	Ring, Retainer, 4"
35	000-176-014	1	Chain, Drive, #80H, Includes 000-176-124
	000-176-124	1	Link, Master, Chain , #80H
36	000-176-016	1	Sprocket, Driven, Rotor Shaft, #80
37	200-160-000	1	Washer, Retaining
38	000-161-004	1	Pin, Roll, 3/16" Dia. x 7/8" Long
39	200-161-000	1	Washer, Keeper
40	LP	1	Capscrew, Hex Head, 1/2"-13UNC x 1" Long

AR - As Required NSS - Not Serviced Separately ASN - After Serial No. BSN - Before Serial No. LP - Local Purchase

Preseeder tiller Models 605, 725 & 805 PARTS LIST

Figure 5. Rotor and Drive Assembly
BSN 1261



Preseeder tiller Models 605, 725 & 805 PARTS LIST

Figure 5. Rotor and Drive Assembly
BSN 1261



New Holland, PA 17557
Phone (717) 354-8721 • FAX (717) 354-2162
1-800-342-0905
www.preseeder.com

Item	Part No.	Qty	Description
41	000-176-019	1	Sprocket, Idler, #80, With Bearing
42	200-162-000	1	Spacer, Idler
43	LP	1	Capscrew, Hex Head, 3/4"-16UNF x 2" Long
44	200-163-000	1	Nut, Square, 3/4"-16UNF
45	200-164-000	1	Shield, Drive Shaft (Model 605)
	200-165-000	1	Shield, Drive Shaft (Model 805)
46	LP	AR	Capscrew, Flange Hex Head, 7/16"-14UNC x 3/4" Long
47	000-176-025	1	Shaft Assembly, PTO (Model 605) (See Figure 15 for Breakdown)
	000-176-120	1	Shaft Assembly, PTO (Model 805) (See Figure 15 for Breakdown)

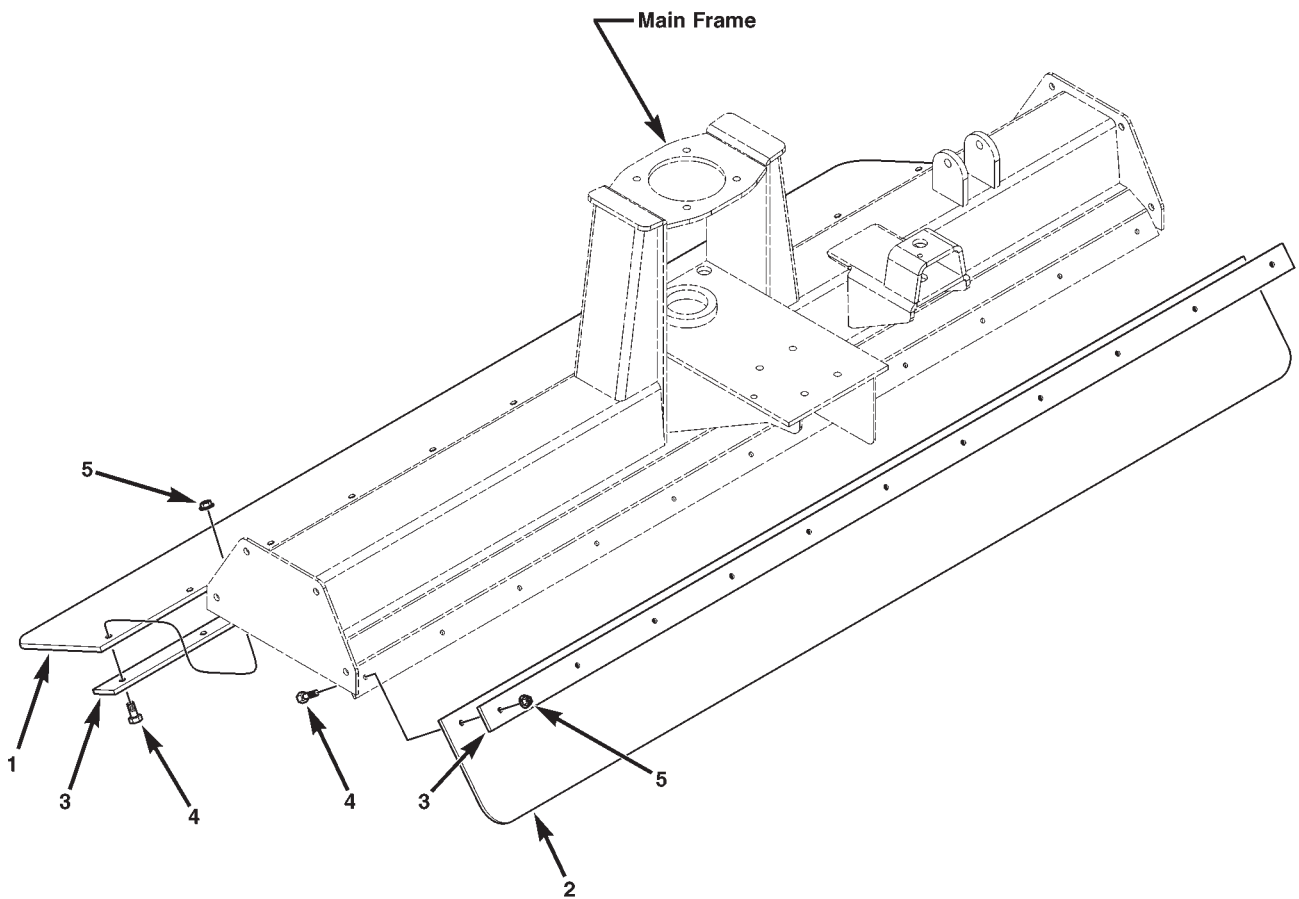
AR - As Required NSS - Not Serviced Separately ASN - After Serial No. BSN - Before Serial No. LP - Local Purchase



New Holland, PA 17557
Phone (717) 354-8721 • FAX (717) 354-2162
1-800-342-0905
www.preseeder.com

Preseeder tiller Models 605, 725 & 805 PARTS LIST

Figure 6. Front and Rear Shields



Preseeder tiller Models 605, 725 & 805 PARTS LIST



New Holland, PA 17557
Phone (717) 354-8721 • FAX (717) 354-2162
1-800-342-0905
www.preseeder.com

Figure 6. Front and Rear Shields

Item	Part No.	Qty	Description
1	200-118-000	1	Shield, Rock, Front (Model 605)
	200-134-000	1	Shield, Rock, Front (Model 725)
	200-124-000	1	Shield, Rock, Front (Model 805)
2	200-121-000	1	Shield, Dust, Rear (Model 605)
	200-143-000	1	Shield, Dust, Rear (Model 725)
	200-128-000	1	Shield, Dust, Rear (Model 805)
3	200-117-000	2	Strip, Clamp, Rock & Dust Shield (Model 605)
	200-133-000	2	Strip, Clamp, Rock & Dust Shield (Model 725)
	200-123-000	2	Strip, Clamp, Rock & Dust Shield (Model 805)
4	LP	AR	Capscrew, Hex Head, 1/4"-20UNC x 1" Long
5	LP	AR	Nut, Flanged Hex, 1/4"-20UNC

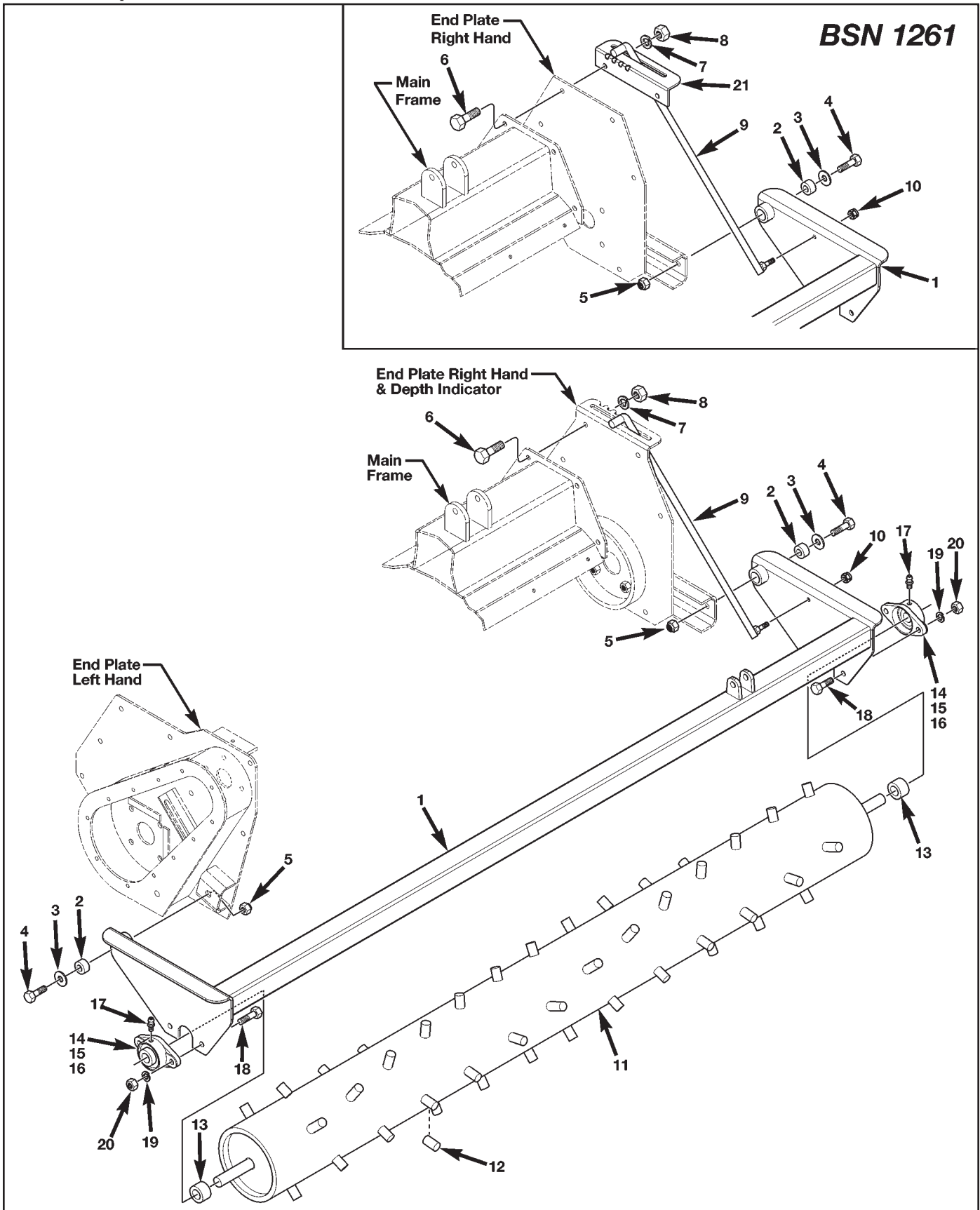
AR - As Required NSS - Not Serviced Separately ASN - After Serial No. BSN - Before Serial No. LP - Local Purchase



New Holland, PA 17557
Phone (717) 354-8721 • FAX (717) 354-2162
1-800-342-0905
www.preseeder.com

Preseeder tiller Models 605, 725 & 805 PARTS LIST

Figure 7. Rear Roller and Depth Gauge



Preseeder tiller Models 605, 725 & 805 PARTS LIST



New Holland, PA 17557
Phone (717) 354-8721 • FAX (717) 354-2162
1-800-342-0905
www.preseeder.com

Figure 7. Rear Roller and Depth Gauge

Item	Part No.	Qty	Description
1	200-218-000	1	Frame, Roller, 1-1/4" Shaft (Model 605) ASN 999
	200-294-000	1	Frame, Roller, 1-1/4" Shaft (Model 725)
	200-219-000	1	Frame, Roller, 1-1/4" Shaft (Model 805) ASN 999
	200-172-000	1	Frame, Roller, 1" Shaft (Model 605) BSN 1000
	200-173-000	1	Frame, Roller, 1" Shaft (Model 805) BSN 1000
2	200-174-000	2	Bushing, Roller Frame, 3/4" ID x 1-1/8" OD x 1-1/8" Long
3	LP	AR	Washer, Flat, 3/4", SAE
4	LP	AR	Capscrew, Hex Head, 3/4"-16UNF x 2-1/2" Long
5	LP	AR	Nut, Hex, Nylon Lock, 3/4"-16UNF
6	LP	AR	Capscrew, Hex Head, 1/2"-13UNC x 1-1/4" Long
7	LP	AR	Washer, Lock, 1/2"
8	LP	AR	Nut, Hex, 1/2"-13UNC
9	200-176-000	1	Rod, Depth Gauge
10	LP	1	Nut, Hex Nylon Lock, 3/8"-16UNC
11	200-220-000	1	Roller, Rear, 1-1/4" Shaft (Model 605) ASN 999
	200-295-000	1	Roller, Rear, 1-1/4" Shaft (Model 725)
	200-221-000	1	Roller, Rear, 1-1/4" Shaft (Model 805) ASN 999
	200-190-000	1	Roller, Rear, 1" Shaft (Model 605) BSN 1000
	200-191-000	1	Roller, Rear, 1" Shaft (Model 805) BSN 1000
12	200-190-001	AR	Pin, Rear Roller, Weld on Replacement
13	200-197-000	2	Bushing, Roller Shaft, ASN 999
	200-177-000	2	Bushing, Roller Shaft, BSN 1000
14	000-176-121	2	Bearing Assembly, Roller Shaft 1-1/4", ASN 999 Includes Items 14 and 15
	000-176-020	2	Bearing Assembly, Roller Shaft 1", BSN 1000 Includes Items 14 and 15
15	000-176-122	1	Flange Only, ASN 999
	000-176-021	1	Flange Only, BSN 1000
16	000-176-117	1	Bearing Insert Only, ASN 999
	000-176-022	1	Bearing Insert Only, BSN 1000
17	LP	1	Fitting, Lube
18	LP	AR	Capscrew, Hex Head, 1/2"-13UNC x 1-1/2" Long, ASN 999
	LP	AR	Capscrew, Hex Head, 7/16"-14UNC x 1-1/4" Long, BSN 1000
19	LP	AR	Washer, Lock, 1/2", ASN 999
	LP	AR	Washer, Lock, 7/16", BSN 1000
20	LP	AR	Nut, Hex, 1/2"-13UNC, ASN 999
	LP	AR	Nut, Hex, 7/16"-14UNC, BSN 1000
21	200-175-000	1	Indicator, Depth, BSN 1261

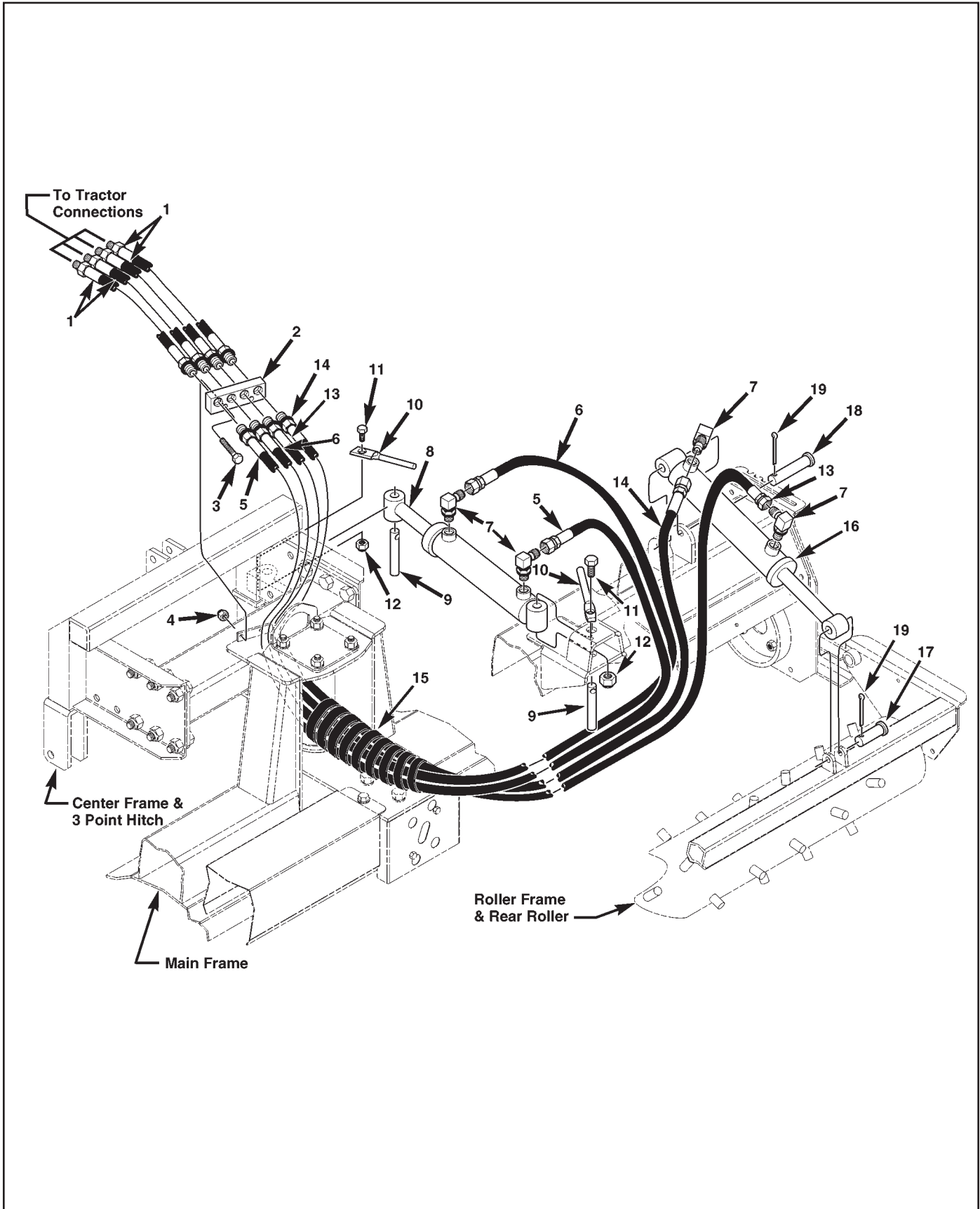
AR - As Required NSS - Not Serviced Separately ASN - After Serial No. BSN - Before Serial No. LP - Local Purchase



New Holland, PA 17557
Phone (717) 354-8721 • FAX (717) 354-2162
1-800-342-0905
www.preseeder.com

Preseeder tiller Models 605, 725 & 805 PARTS LIST

Figure 8. Hydraulic System – Standard
ASN 1260



Preseeder tiller Models 605, 725 & 805 PARTS LIST

Figure 8. Hydraulic System – Standard
ASN 1260



New Holland, PA 17557
Phone (717) 354-8721 • FAX (717) 354-2162
1-800-342-0905
www.preseeder.com

Item	Part No.	Qty	Description
1	000-166-049	4	Hose, Hydraulic, 1/4" x 4MP x 4MB x 54" Long
2	000-166-038	1	Block, Manifold
3	LP	2	Capscrew, Hex Head, 5/16"-18UNC x 2-1/4" Long
4	LP	2	Nut, Hex, Nylon Lock, 5/16"-18UNC
5	000-166-043	1	Hose, Hydraulic, 1/4" x 4MB x 4FJX x 49" Long
6	000-166-044	1	Hose, Hydraulic, 1/4" x 4MB x 4FJX x 59" Long
7	000-166-048	4	Elbow, 90°, 4MJ x 4MB
8	000-166-082	1	Cylinder, Hydraulic, Angle Control, 4FB Ports (See Figure 18 for Breakdown)
9	200-192-000	2	Pin, Cylinder, 1" Dia. x 4-1/4" Long
10	000-161-024	2	Pin, Retainer, 3/8" Dia. x 3-1/4" Long
11	LP	2	Capscrew, Hex Head, 5/16"-18UNC x 1-1/4" Long
12	LP	2	Nut, Hex, Nylon Lock, 5/16"-18UNC
13	000-166-044	1	Hose, Hydraulic, 1/4" x 4MB x 4FJX x 59" Long
14	000-166-043	1	Hose, Hydraulic, 1/4" x 4MB x 4FJX x 49" Long
15		AR	Wrap, Hydraulic Hose
16	000-166-083	1	Cylinder, Hydraulic, Depth Control, 4FB Ports (See Figure 19 for Breakdown)
17	000-161-007	1	Pin, Clevis, 5/8" Dia. x 2-1/2" Long
18	000-161-008	1	Pin, Clevis, 5/8" Dia. x 4" Long
19	000-161-026	2	Pin, Cotter, 5/32" Dia. x 1" Long
	000-166-019	AR	Kit, Cylinder Repair (Depth and Angle Cylinders)
			BH-Bulkhead MP-Male Pipe FP-Female Pipe FPX-Female Pipe Swivel MB-Male O-Ring Boss FB-Female O-Ring Boss MJ-Male JIC FJ-Female JIC FJX-Female JIC Swivel

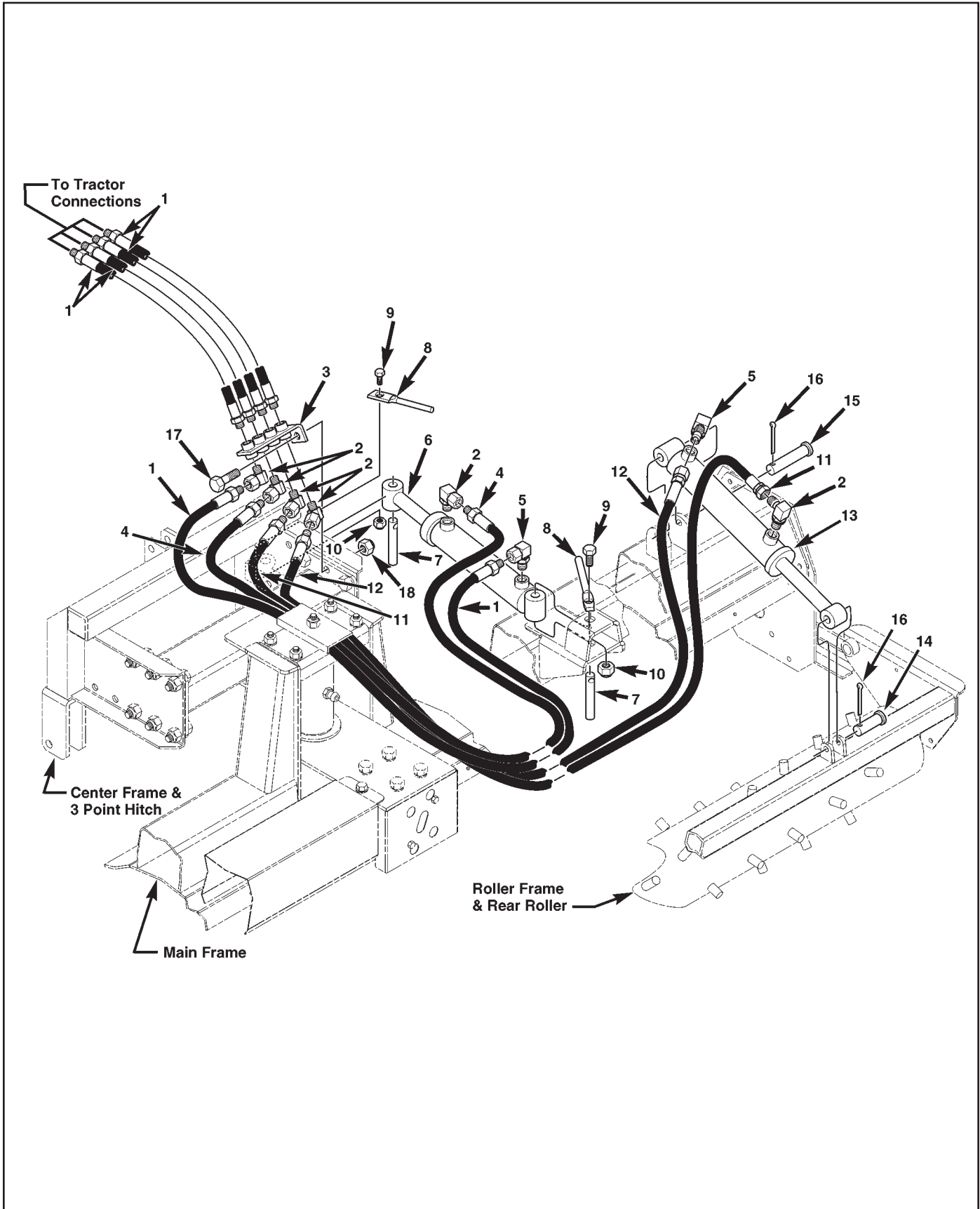
AR - As Required NSS - Not Serviced Separately ASN - After Serial No. BSN - Before Serial No. LP - Local Purchase



New Holland, PA 17557
Phone (717) 354-8721 • FAX (717) 354-2162
1-800-342-0905
www.preseeder.com

Preseeder tiller Models 605, 725 & 805 PARTS LIST

Figure 9. Hydraulic System – Standard
BSN 1261



Preseeder tiller Models 605, 725 & 805 PARTS LIST

Figure 9. Hydraulic System – Standard
BSN 1261



New Holland, PA 17557
Phone (717) 354-8721 • FAX (717) 354-2162
1-800-342-0905
www.preseeder.com

Item	Part No.	Qty	Description
1	000-166-003	5	Hose, Hydraulic, 1/4" x 4MP x 4MP x 54" Long
2	000-166-007	6	Elbow, 90°, 4FPX x 4MP
3	200-178-000	1	Bracket, Hose Connection
4	000-166-004	1	Hose, Hydraulic, 1/4" x 4MP x 4MP x 68" Long
5	000-166-008	2	Elbow, 90°, 4MP x 4FPX, With .062 Orifice
6	000-166-009	1	Cylinder, Hydraulic, Angle Control, 4FP Ports (See Figure 18 for Breakdown)
7	200-192-000	2	Pin, Clevis, 1" Dia. x 4-1/4" Long
8	000-161-024	2	Pin, Retainer, 3/8" Dia. x 3-1/4" Long
9	LP	2	Capscrew, Hex Head, 5/16"-18UNC x 1-1/4" Long
10	LP	2	Nut, Hex, Nylon Lock, 5/16"-18UNC
11	000-166-005	1	Hose, Hydraulic, 1/4" x 4MP x 4MP x 72" Long
12	000-166-006	1	Hose, Hydraulic, 1/4" x 4MP x 4MP x 58" Long
13	000-166-010	1	Cylinder, Hydraulic, Depth Control, 4FP Ports (See Figure 19 for Breakdown)
14	000-161-007	1	Pin, Clevis, 5/8" Dia. x 2-1/2" Long
15	000-161-008	1	Pin, Clevis, 5/8" Dia. x 4" Long
16	000-161-026	2	Pin, Cotter, 5/32" Dia. x 1" Long
17	LP	1	Capscrew, Hex Head, 3/4"-16UNF x 1-3/4" Long
18	LP	1	Nut, Hex, Nylon Lock, 3/4"-16UNF
	000-166-019	AR	Kit, Cylinder Repair (Depth and Angle Cylinders)
			BH-Bulkhead MP-Male Pipe FP-Female Pipe FPX-Female Pipe Swivel MB-Male O-Ring Boss FB-Female O-Ring Boss MJ-Male JIC FJ-Female JIC FJX-Female JIC Swivel

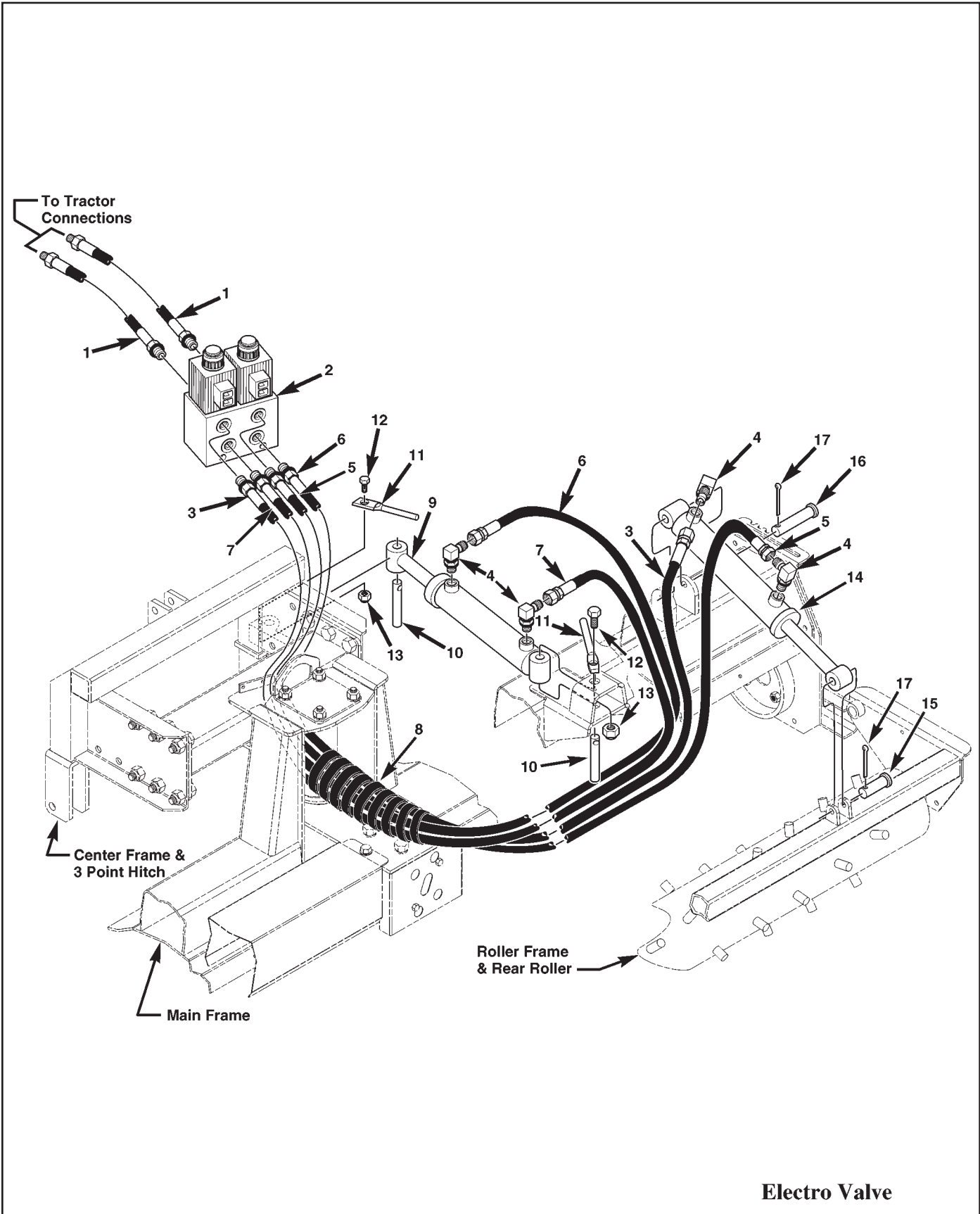
AR - As Required NSS - Not Serviced Separately ASN - After Serial No. BSN - Before Serial No. LP - Local Purchase



New Holland, PA 17557
Phone (717) 354-8721 • FAX (717) 354-2162
1-800-342-0905
www.preseeder.com

Preseeder tiller Models 605, 725 & 805 PARTS LIST

Figure 10. Hydraulic System – with Diverter Valve (Optional)
ASN 1400



Preseeder tiller Models 605, 725 & 805 PARTS LIST



New Holland, PA 17557
Phone (717) 354-8721 • FAX (717) 354-2162
1-800-342-0905
www.preseeder.com

Figure 10. Hydraulic System – with Diverter Valve (Optional)
ASN 1400

Item	Part No.	Qty	Description
1	000-166-049	2	Hose, Hydraulic, 1/4" x 4MP x 4MB x 54" Long
2	000-166-347	1	Valve Assembly, Diverter, Electro-Hyd, w/Solenoid Valves(See Figure 13 for Breakdown)
3	000-166-043	1	Hose, Hydraulic, 1/4" x 4MB x 4FJX x 49" Long
4	000-166-048	4	Elbow, 90°, 4MB x 4MJ
5	000-166-044	1	Hose, Hydraulic, 1/4" x 4MB x 4FJX x 59" Long
6	000-166-044	1	Hose, Hydraulic, 1/4" x 4MB x 4FJX x 59" Long
7	000-166-043	1	Hose, Hydraulic, 1/4" x 4MB x 4FJX x 49" Long
8	LP	AR	Wrap, Hydraulic Hose
9	000-166-082	1	Cylinder, Hydraulic, Angle Control, 4FB Ports (See Figure 18 for Breakdown)
10	200-192-000	2	Pin, Clevis, 1" Dia. x 4-1/4" Long
11	000-161-024	2	Pin, Retainer, 3/8" Dia. x 3-1/4" Long
12	LP	2	Capscrew, Hex Head, 5/16"-18UNC x 1-1/4" Long
13	LP	2	Nut, Hex, Nylon Lock, 5/16"-18UNC
14	000-166-083	1	Cylinder, Hydraulic, Depth Control, 4FB Ports (See Figure 19 for Breakdown)
15	000-161-007	1	Pin, Clevis, 5/8" Dia. x 2-1/2" Long
16	000-161-008	1	Pin, Clevis, 5/8" Dia. x 4" Long
17	000-161-026	2	Pin, Cotter, 5/32" Dia. x 1" Long
	000-166-019	AR	Kit, Cylinder Repair (Depth and Angle Cylinders)
			BH-Bulkhead MP-Male Pipe FP-Female Pipe FPX-Female Pipe Swivel MB-Male O-Ring Boss FB-Female O-Ring Boss MJ-Male JIC FJ-Female JIC FJX-Female JIC Swivel

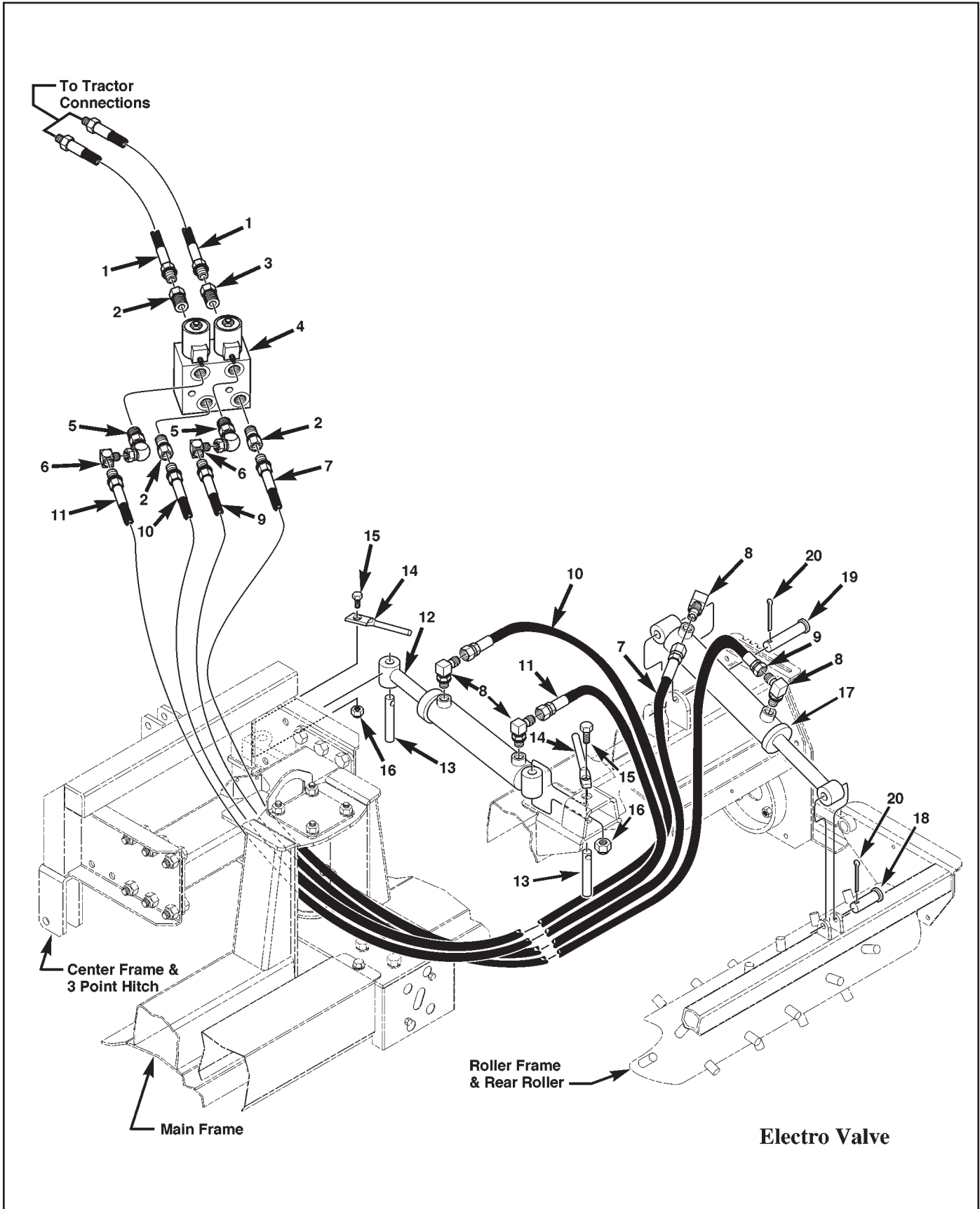
AR - As Required NSS - Not Serviced Separately ASN - After Serial No. BSN - Before Serial No. LP - Local Purchase



New Holland, PA 17557
Phone (717) 354-8721 • FAX (717) 354-2162
1-800-342-0905
www.preseeder.com

Preseeder tiller Models 605, 725 & 805 PARTS LIST

Figure 11. Hydraulic System – with Diverter Valve (Optional)
BSN 1401 - ASN 1260



Preseeder tiller Models 605, 725 & 805 PARTS LIST



New Holland, PA 17557
Phone (717) 354-8721 • FAX (717) 354-2162
1-800-342-0905
www.preseeder.com

Figure 11. Hydraulic System – with Diverter Valve (Optional)
BSN 1401 - ASN 1260

Item	Part No.	Qty	Description
1	000-166-049	2	Hose, Hydraulic, 1/4" x 4MP x 4MB x 54" Long
2	000-166-046	3	Adapter, 8MB x 4FB
3	000-166-062	1	Adapter, 8MB x 4FB x With .062 Orifice
4	000-166-036	1	Valve, Diverter, Optional, Electro Valve (See Figure 13 for Breakdown)
5	000-166-035	2	Elbow, 90°, 8MB x 4FPX
6	000-166-047	2	Elbow, 90°, 4FB x 4MP
7	000-166-043	1	Hose, Hydraulic, 1/4" x 4MB x 4FJX x 49" Long
8	000-166-048	4	Elbow, 90°, 4MB x 4MJ
9	000-166-044	1	Hose, Hydraulic, 1/4" x 4MB x 4FJX x 59" Long
10	000-166-044	1	Hose, Hydraulic, 1/4" x 4MB x 4FJX x 59" Long
11	000-166-043	1	Hose, Hydraulic, 1/4" x 4MB x 4FJX x 49" Long
12	000-166-082	1	Cylinder, Hydraulic, Angle Control, 4FB Ports (See Figure 18 for Breakdown)
13	200-192-000	2	Pin, Clevis, 1" Dia. x 4-1/4" Long
14	000-161-024	2	Pin, Retainer, 3/8" Dia. x 3-1/4" Long
15	LP	2	Capscrew, Hex Head, 5/16"-18UNC x 1-1/4" Long
16	LP	2	Nut, Hex, Nylon Lock, 5/16"-18UNC
17	000-166-083	1	Cylinder, Hydraulic, Depth Control, 4FB Ports (See Figure 19 for Breakdown)
18	000-161-007	1	Pin, Clevis, 5/8" Dia. x 2-1/2" Long
19	000-161-008	1	Pin, Clevis, 5/8" Dia. x 4" Long
20	000-161-026	2	Pin, Cotter, 5/32" Dia. x 1" Long
	000-166-019	AR	Kit, Cylinder Repair (Depth and Angle Cylinders)
			BH-Bulkhead MP-Male Pipe FP-Female Pipe FPX-Female Pipe Swivel MB-Male O-Ring Boss FB-Female O-Ring Boss MJ-Male JIC FJ-Female JIC FJX-Female JIC Swivel

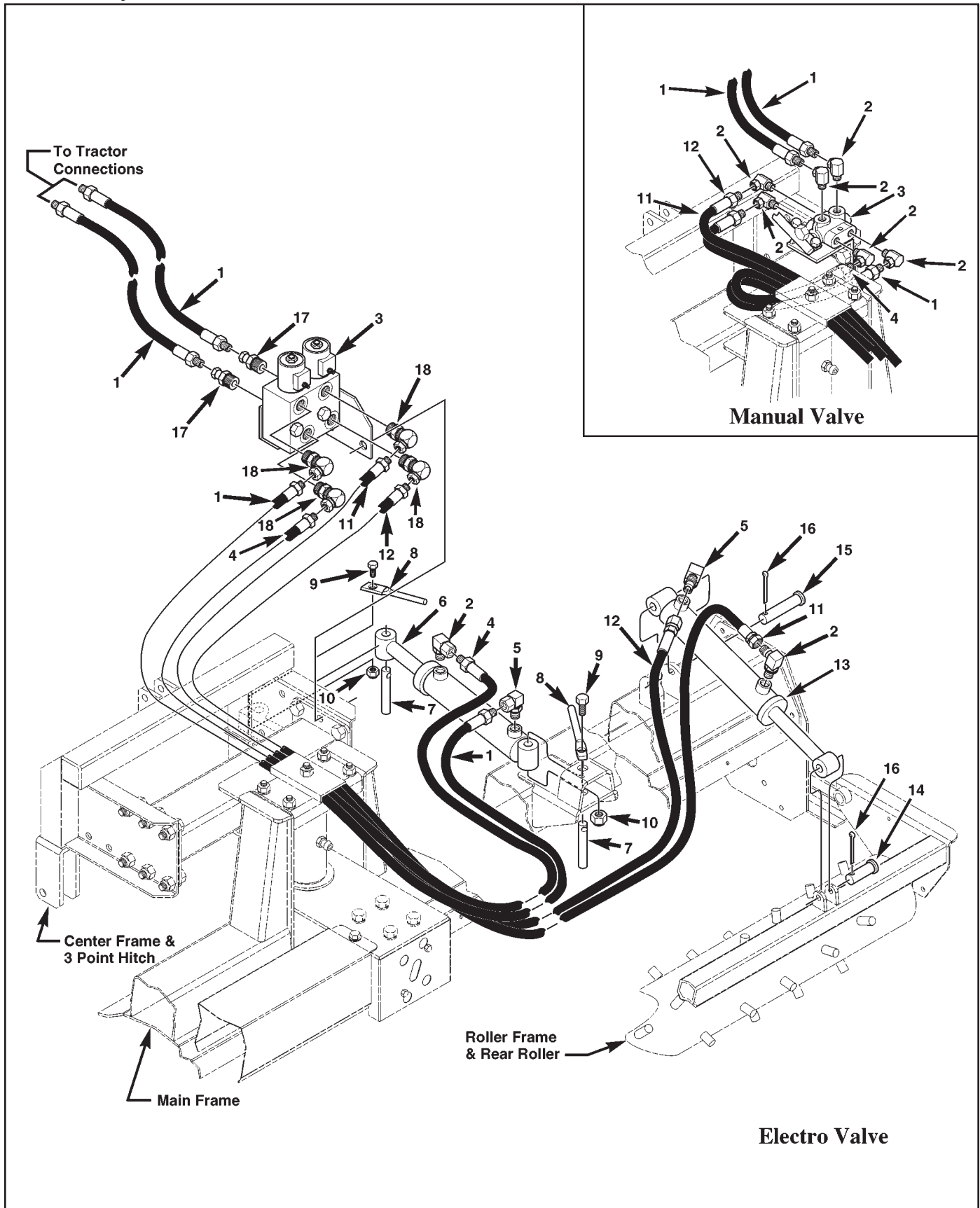
AR - As Required NSS - Not Serviced Separately ASN - After Serial No. BSN - Before Serial No. LP - Local Purchase



New Holland, PA 17557
Phone (717) 354-8721 • FAX (717) 354-2162
1-800-342-0905
www.preseeder.com

Preseeder tiller Models 605, 725 & 805 PARTS LIST

Figure 12. Hydraulic System – with Diverter Valve (Optional)
BSN 1261



Preseeder tiller Models 605, 725 & 805 PARTS LIST

Figure 12. Hydraulic System – with Diverter Valve (Optional)
BSN 1261



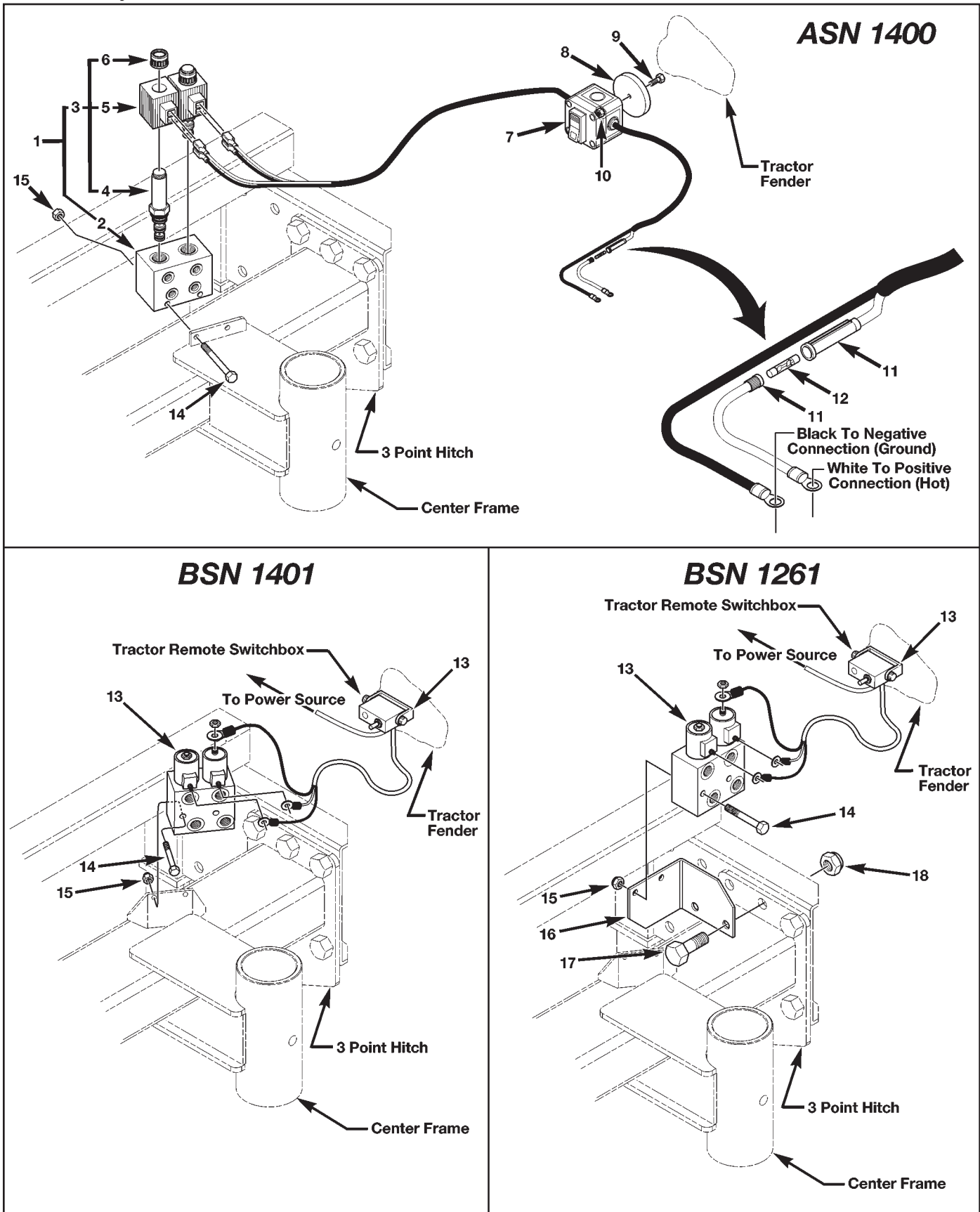
New Holland, PA 17557
Phone (717) 354-8721 • FAX (717) 354-2162
1-800-342-0905
www.preseeder.com

Item	Part No.	Qty	Description
1	000-166-003	3	Hose, Hydraulic, 1/4" x 4MP x 4MP x 54" Long
2	000-166-007	2	Elbow, 90°, 4MP x 4FPX, Electro Valve
	000-166-007	8	Elbow, 90°, 4MP x 4FPX, Manual Valve
3	000-166-036	1	Valve, Diverter, Optional, Electro Valve (See Figure 13 for Breakdown)
	000-166-011	1	Valve, Diverter, Optional, Manual Valve (See Figure 14 for Breakdown)
4	000-166-004	1	Hose, Hydraulic, 1/4" x 4MP x 4MP x 68" Long
5	000-166-008	2	Elbow, 90°, 4MP x 4FPX, With .062 Orifice
6	000-166-009	1	Cylinder, Hydraulic, Angle Control, 4FP Ports (See Figure 18 for Breakdown)
7	200-192-000	2	Pin, Clevis, 1" Dia. x 4-1/4" Long
8	000-161-024	2	Pin, Retainer, 3/8" Dia. x 3-1/4" Long
9	LP	2	Capscrew, Hex Head, 5/16"-18UNC x 1-1/4" Long
10	LP	2	Nut, Hex, Nylon Lock, 5/16"-18UNC
11	000-166-005	1	Hose, Hydraulic, 1/4" x 4MP x 4MP x 72" Long
12	000-166-006	1	Hose, Hydraulic, 1/4" x 4MP x 4MP x 58" Long
13	000-166-010	1	Cylinder, Hydraulic, Depth Control, 4FP Ports (See Figure 19 for Breakdown)
14	000-161-007	1	Pin, Clevis, 5/8" Dia. x 2-1/2" Long
15	000-161-008	1	Pin, Clevis, 5/8" Dia. x 4" Long
16	000-161-026	2	Pin, Cotter, 5/32" Dia. x 1" Long
17	000-166-037	2	Bushing, Reducer, 8MB x 4FPX
18	000-166-035	4	Elbow, 90°, 8MB x 4FPX
	000-166-019	AR	Kit, Cylinder Repair (Depth and Angle Cylinders)
			BH-Bulkhead MP-Male Pipe FP-Female Pipe FPX-Female Pipe Swivel MB-Male O-Ring Boss FB-Female O-Ring Boss MJ-Male JIC FJ-Female JIC FJX-Female JIC Swivel

AR - As Required NSS - Not Serviced Separately ASN - After Serial No. BSN - Before Serial No. LP - Local Purchase

Preseeder tiller Models 605, 725 & 805 PARTS LIST

Figure 13. Electro Diverter Valve Installation (Optional)



Preseeder tiller Models 605, 725 & 805 PARTS LIST



New Holland, PA 17557
Phone (717) 354-8721 • FAX (717) 354-2162
1-800-342-0905
www.preseeder.com

Figure 13. Electro Diverter Valve Installation (Optional)

Item	Part No.	Qty	Description
1	200-015-000	1	Kit, Electrohydraulic Valve, Includes Items 1 thru 12, ASN 1400
	000-166-347	1	Valve Assembly, Diverter, Electro-Hyd, w/Solenoid Valves, Includes Items 2 thru 6
2	000-166-094	1	Block, Manifold, Electro Diverter
3	000-166-050	2	Solenoid Assembly, Includes Items 4 thru 6
4	NSS	1	Spool
5	NSS	1	Body
6	NSS	1	Nut
7	200-281-000	1	Harness Assembly, Box, Switch & Harness, Includes Items 8 thru 10
8	NSS	1	Magnet
9	NSS	1	Capscrew, Hex Head
10	NSS	1	Nut, Hex
11	LP	1	Holder Assembly, Fuse
12	LP	1	Fuse, 10 Amp
13	LP	2	Capscrew, Hex Head, 5/16"-18UNC x 3-1/4" Long
14	LP	2	Nut, Hex, Nylon Lock, 5/16"-18UNC
13	000-166-036	1	Valve, Electro Diverter, Includes Remote Switchbox, BSN 1401 - ASN 1260
14	LP	2	Capscrew, Hex Head, 5/16"-18UNC x 3-1/4" Long
15	LP	2	Nut, Hex, Nylon Lock, 5/16"-18UNC
16	200-228-000	1	Bracket, Electro Valve Mount, BSN 1261
17	LP	2	Capscrew, Hex Head, 3/4"-16UNC x 1-3/4" Long
18	LP	2	Nut, Hex, Nylon Lock, 3/4"-16UNC

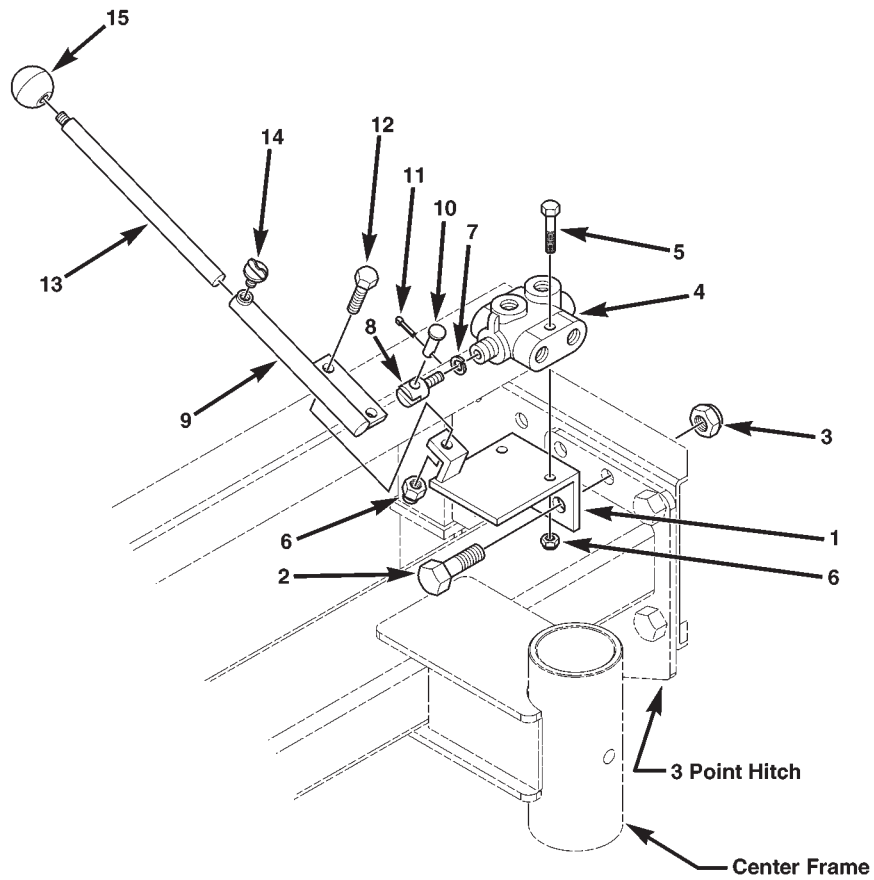
AR - As Required NSS - Not Serviced Separately ASN - After Serial No. BSN - Before Serial No. LP - Local Purchase



New Holland, PA 17557
Phone (717) 354-8721 • FAX (717) 354-2162
1-800-342-0905
www.preseeder.com

Preseeder tiller Models 605, 725 & 805 PARTS LIST

Figure 14. Manual Diverter Valve Installation (Optional) BSN 1261



Preseeder tiller Models 605, 725 & 805 PARTS LIST



New Holland, PA 17557
Phone (717) 354-8721 • FAX (717) 354-2162
1-800-342-0905
www.preseeder.com

Figure 14. Manual Diverter Valve Installation (Optional) BSN 1261

Item	Part No.	Qty	Description
1	200-179-000	1	Bracket, Valve Mount
2	LP	2	Capscrew, Hex Head, 3/4"-16UNC x 1-3/4" Long
3	LP	2	Nut, Hex, Nylon Lock, 3/4"-16UNC
4	000-166-011	1	Valve, Manual Diverter
5	LP	2	Capscrew, Hex Head, 5/16"-18UNC x 2-1/4" Long
6	LP	3	Nut, Hex, Nylon Lock, 5/16"-18UNC
7	LP	1	Washer, Lock, 3/8"
8	000-161-012	1	Clevis, Diverter Valve
9	200-180-000	1	Handle, Diverter Valve
10	000-161-009	1	Pin, Clevis, 1/4" Dia. x 3/4" Long
11	000-161-032	1	Pin, Cotter, 1/16" Dia. x 1/2" Long
12	LP	1	Capscrew, Hex Head, 5/16"-18UNC x 1" Long
13	200-181-000	1	Extension, Diverter Valve Handle
14	LP	1	Screw, Thumb, 5/16"-18UNC x 1/2" Long
15	001-001-001	1	Knob, Handle

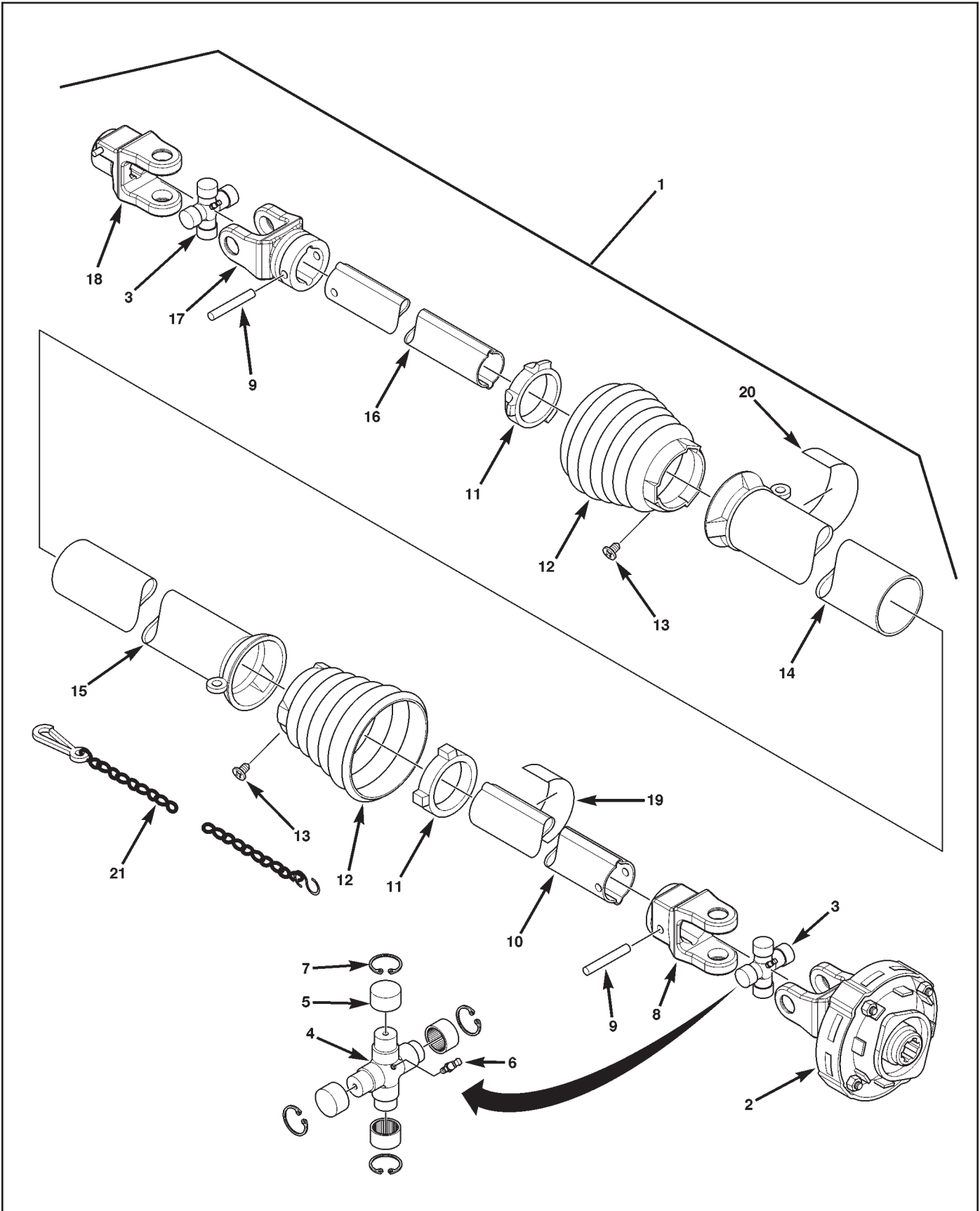
AR - As Required NSS - Not Serviced Separately ASN - After Serial No. BSN - Before Serial No. LP - Local Purchase



New Holland, PA 17557
Phone (717) 354-8721 • FAX (717) 354-2162
1-800-342-0905
www.preseeder.com

Preseeder tiller Models 605, 725 & 805 PARTS LIST

Figure 15. PTO Shaft Assembly



Preseeder tiller Models 605, 725 & 805 PARTS LIST



New Holland, PA 17557
Phone (717) 354-8721 • FAX (717) 354-2162
1-800-342-0905
www.preseeder.com

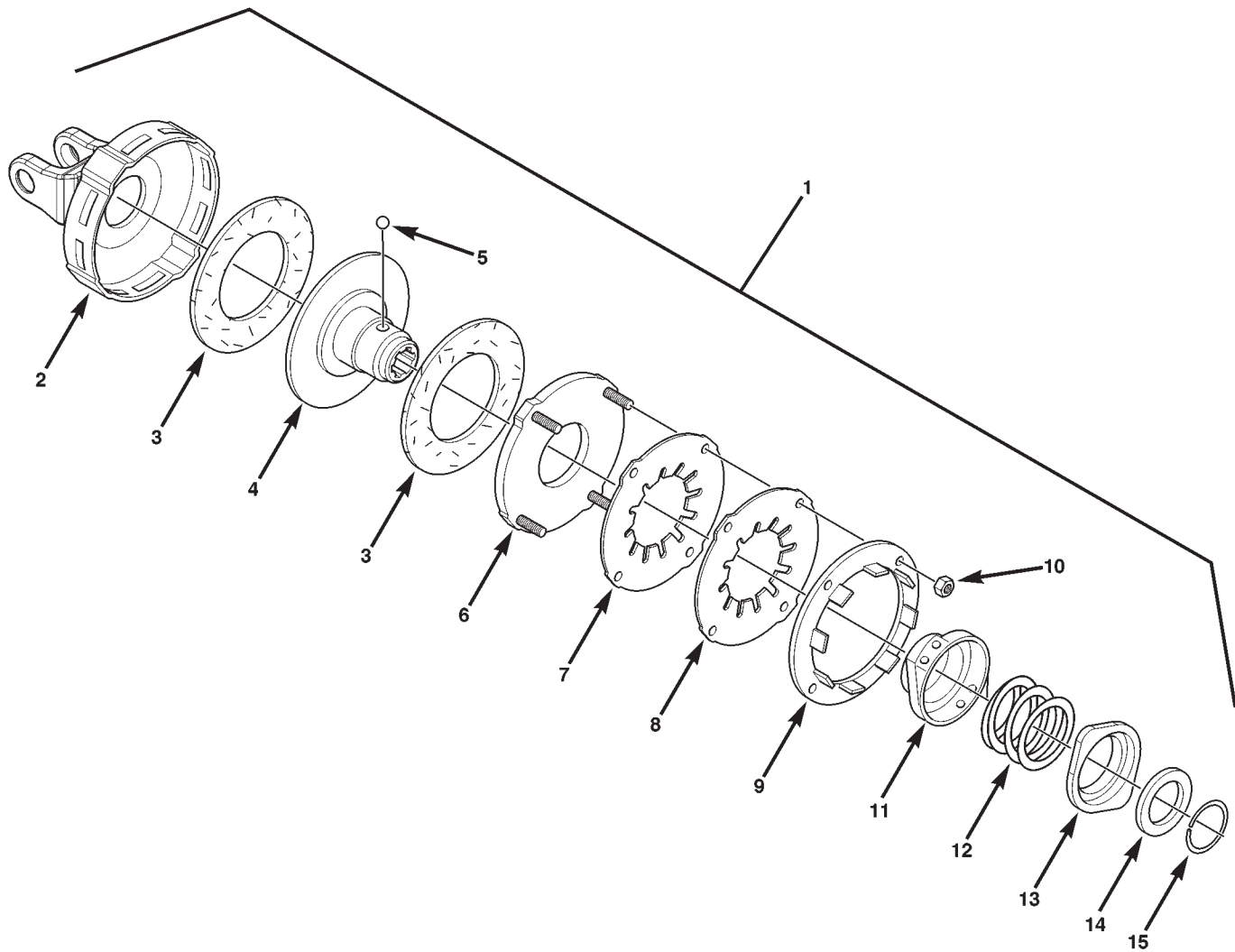
Figure 15. PTO Shaft Assembly

Item	Part No.	Qty	Description
1	000-176-025	1	Shaft Assembly, PTO (Model 605), Includes Items 2 thru 21
	000-176-120	1	Shaft Assembly, PTO (Models 725 & 805), Includes Items 2 thru 21
2	000-176-026	1	Clutch, Friction (Model 605) (See Figure 16 for Breakdown)
	000-176-090	1	Clutch, Friction (Models 725 & 805) (See Figure 16 for Breakdown)
3	000-176-027	2	Kit, Joint Assembly, Universal, Includes Items 4 thru 7
4	NSS	1	Cross
5	NSS	4	Bearing
6	NSS	1	Fitting, Lube, 45°
7	NSS	4	Ring, Retainer
8	000-176-028	1	Yoke, Inboard, Female Member
9	000-176-029	2	Pin
10	000-176-030	1	Telescoping Member, Female, Hardened
11	000-176-031	2	Ring, Bearing
12	000-176-032	2	Guard Cone
13	000-176-033	2	Screw
14	000-176-035	1	Tube, Outer Guard
15	000-176-036	1	Tube, Inner Guard
16	000-176-037	1	Telescoping Member, Male, Hardened
17	000-176-038	1	Yoke, Inboard, Male Member
18	000-176-039	1	Yoke, Splined, Tractor
19	000-186-015	1	Decal, Danger, (Shield Missing)
20	000-186-016	1	Decal, Danger, (Rotating Drive Shaft)
21	000-176-034	1	Chain, Safety

AR - As Required NSS - Not Serviced Separately ASN - After Serial No. BSN - Before Serial No. LP - Local Purchase

Preseeder tiller Models 605, 725 & 805 PARTS LIST

Figure 16. Friction Clutch Assembly



Preseeder tiller Models 605, 725 & 805 PARTS LIST



New Holland, PA 17557
Phone (717) 354-8721 • FAX (717) 354-2162
1-800-342-0905
www.preseeder.com

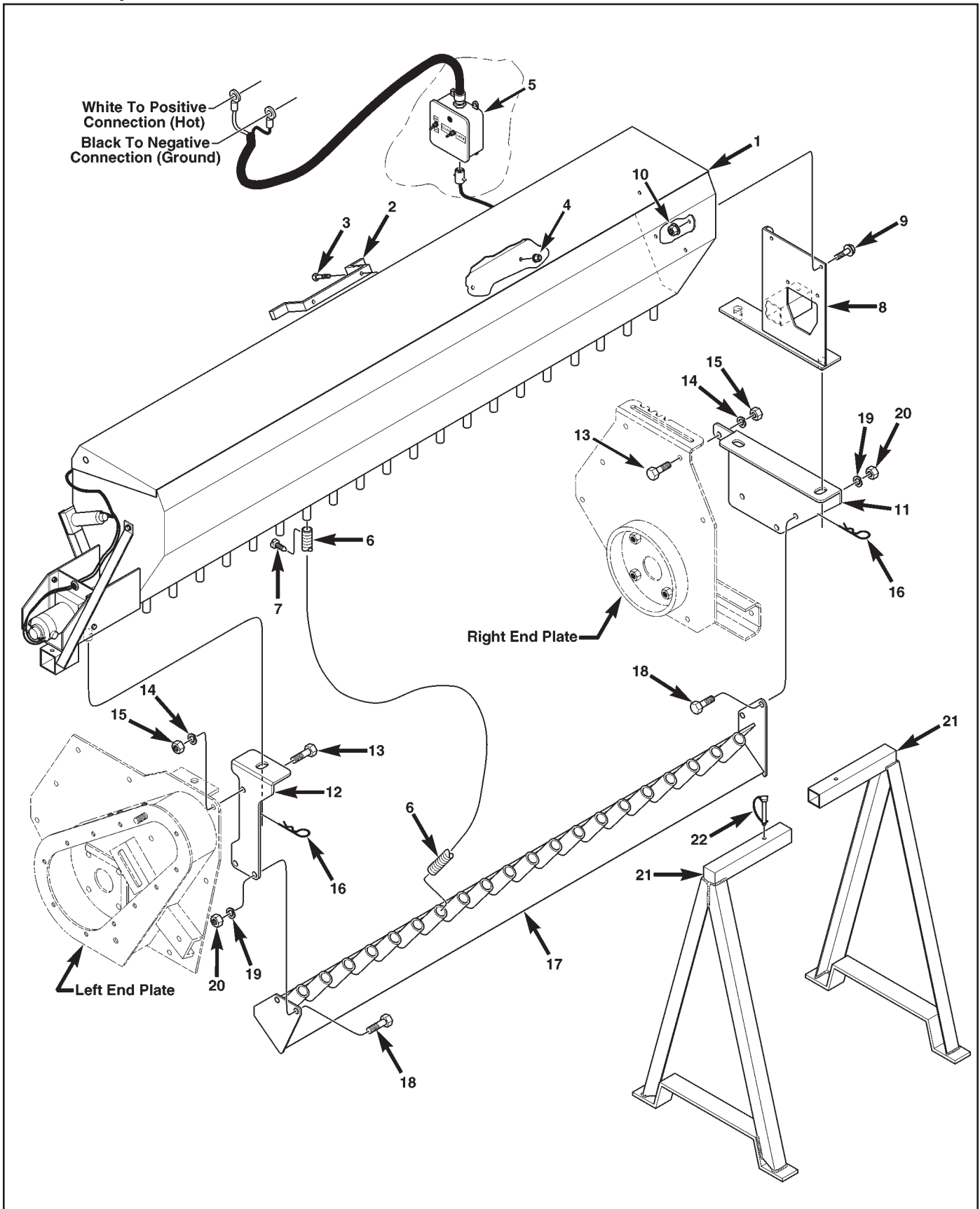
Figure 16. Friction Clutch Assembly

Item	Part No.	Qty	Description
1	000-176-026	1	Clutch Assembly, Friction (Model 605), Includes Items 2 thru 15
	000-176-090	1	Clutch Assembly, Friction (Models 725 & 805), Includes Items 2 thru 15
2	000-176-040	1	Housing, Clutch
3	000-176-041	2	Disc, Friction
4	000-176-042	1	Hub
5	000-176-043	3	Ball
6	000-176-044	1	Plate, Thrust
7	000-176-045	1	Spring, Belleville White (Models 605, 725 & 805)
8	000-176-046	1	Spring, Belleville Green (Model 605)
	000-176-045	1	Spring, Belleville White (Models 725 & 805)
9	000-176-047	1	Ring, Lug
10	LP	4	Nut, Hex, M8-1.25
11	000-176-048	1	Sleeve, Alarm
12	000-176-049	1	Spring, Compression
13	000-176-050	1	Collar, Lock
14	000-176-051	1	Ring, Flanged
15	000-176-052	1	Ring, Snap

AR - As Required NSS - Not Serviced Separately ASN - After Serial No. BSN - Before Serial No. LP - Local Purchase

Preseeder tiller Models 605, 725 & 805 PARTS LIST

Figure 17. Seedbox Assembly Model 805 Only (Optional)



Preseeder tiller Models 605, 725 & 805 PARTS LIST



New Holland, PA 17557
Phone (717) 354-8721 • FAX (717) 354-2162
1-800-342-0905
www.preseeder.com

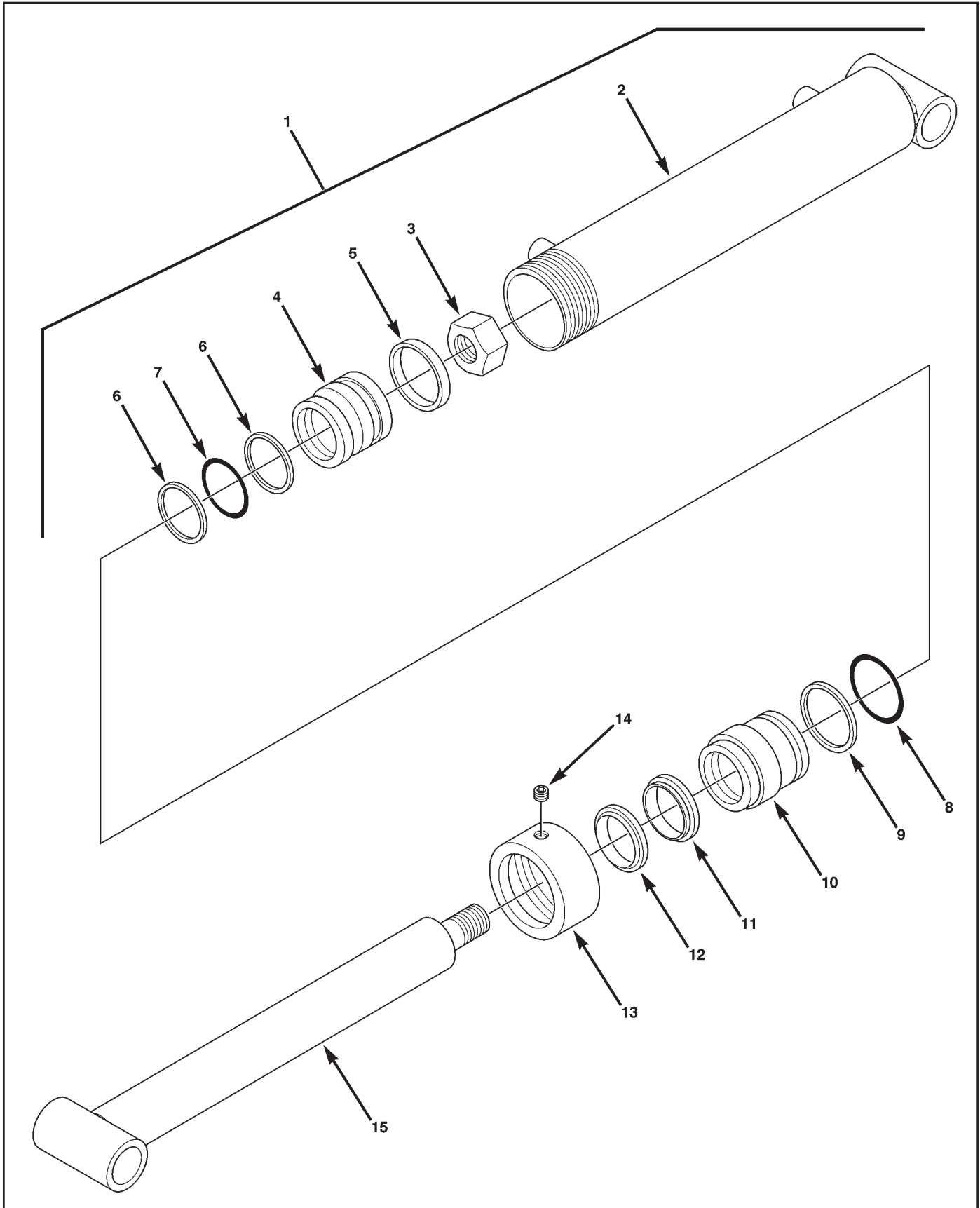
Figure 17. Seedbox Assembly Model 805 Only (Optional)

Item	Part No.	Qty	Description
1	200-229-000	1	Seedbox Assembly 72"
2	200-230-000	1	Bracket, Cord Holder
3	LP	2	Capscrew, Hex Head, 1/4"-20UNC x 1/2" Long
4	LP	2	Nut, Serrated Flange Head, 1/4"-20UNC
5	001-001-006	1	Control
6	001-001-007	20	Tubes
7	LP	20	Screw, Self Tapping, #6 x 3/8" Long
8	200-231-000	1	Plate, Box End Bracket
9	LP	AR	Capscrew, Serrated Flange Head, 5/16"-18UNC x 3/4" Long
10	LP	AR	Nut, Serrated Flange Head, 5/16"-18UNC
11	200-232-000	1	Bracket, Right End
12	200-233-000	1	Bracket, Left End
13	LP	AR	Capscrew, Hex Head, 1/2"-13UNC x 1-1/2" Long
14	LP	AR	Washer, Lock, 1/2"
15	LP	AR	Nut, Hex, 1/2"-13UNC
16	000-161-019	3	Pin, Hair Cotter, 3/16" x 3-3/4" Long
17	200-234-000	1	Tube Bar
18	LP	AR	Capscrew, Hex Head, 1/2"-13UNC x 1-1/4" Long
19	LP	AR	Washer, Lock, 1/2"
20	LP	AR	Nut, Hex, 1/2"-13UNC
21	200-235-000	2	Stand, Parking
22	000-161-018	2	Pin, Lock, 5/16" Dia. x 2-3/4" Long

AR - As Required NSS - Not Serviced Separately ASN - After Serial No. BSN - Before Serial No. LP - Local Purchase

Preseeder tiller Models 605, 725 & 805 PARTS LIST

Figure 18. Cylinder Assembly - (Angle)



Preseeder tiller Models 605, 725 & 805 PARTS LIST



New Holland, PA 17557
Phone (717) 354-8721 • FAX (717) 354-2162
1-800-342-0905
www.preseeder.com

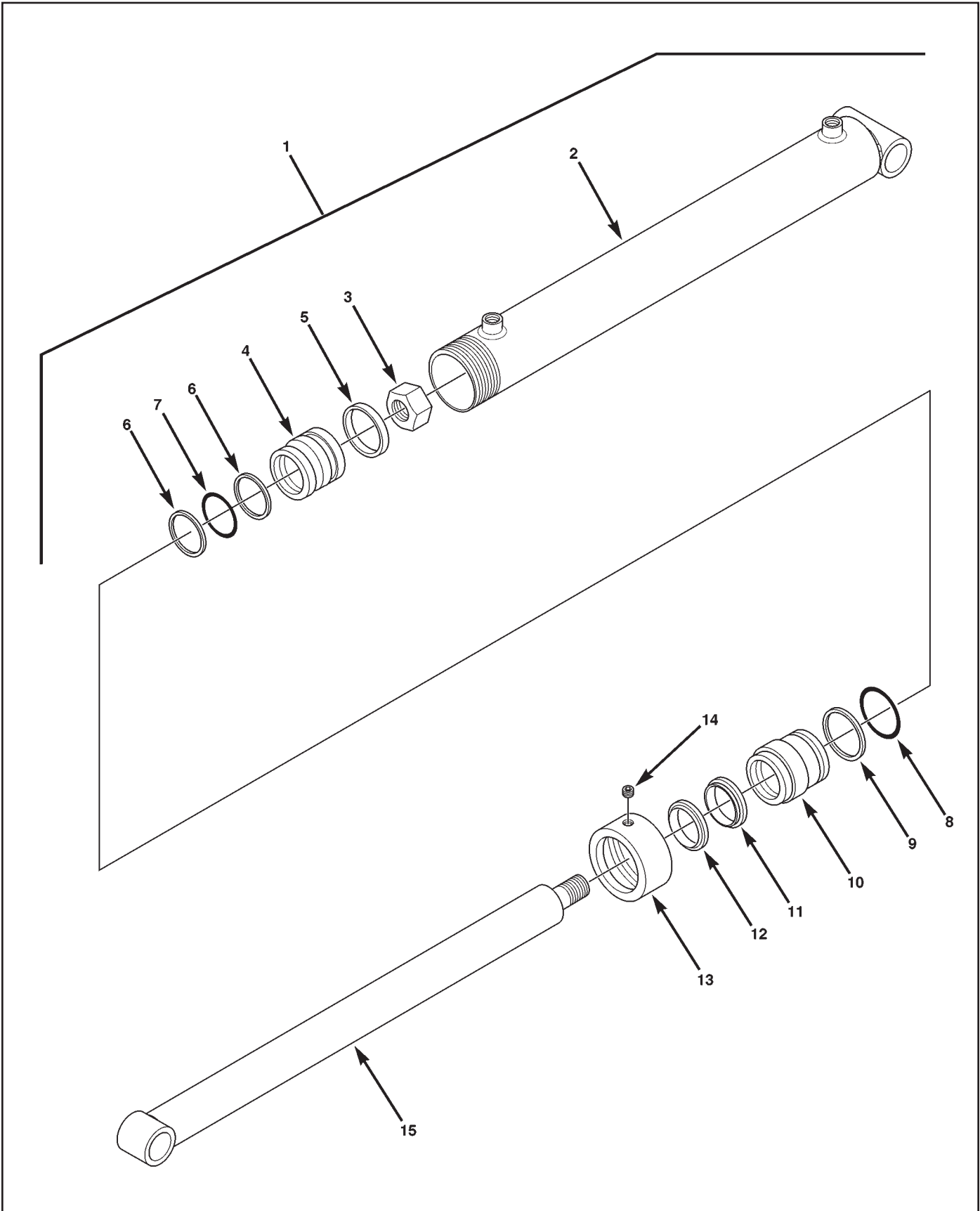
Figure 18. Cylinder Assembly - (Angle)

Item	Part No.	Qty	Description
1	000-166-082	1	Cylinder Assembly, w/4FB Ports, 1-1/2" Bore x 12" Stroke, ASN 1260
	000-166-009	1	Cylinder Assembly, w/4FP Ports, 1-1/2" Bore x 12" Stroke, BSN 1261 Includes Items 2 thru 15
2	000-166-349	1	Barrel Assembly, w/4FB Ports, ASN 1260
	000-166-350	1	Barrel Assembly, w/4FP Ports, BSN 1261
3	LP	1	Nut, Lock, 1/2"-20UNF
4	000-166-341	1	Piston
5	NSS	1	Uniring
6	NSS	2	Ring, Back Up
7	NSS	1	O-Ring
8	NSS	1	O-Ring
9	NSS	1	Ring, Back Up
10	000-166-342	1	Head, Cap, Threaded
11	NSS	1	U-Cup, Loaded
12	NSS	1	Wiper, Rod
13	000-166-343	1	Cap, Threaded
14	LP	1	Screw, Set, 1/4"-20UNC x 1/4" Long
15	000-166-351	1	Rod Assembly
	000-166-019	AR	Kit, Cylinder Repair Includes: Items 5 thru 9, 11 & 12 FP-Female Pipe FB-Female O-Ring Boss

AR - As Required NSS - Not Serviced Separately ASN - After Serial No. BSN - Before Serial No. LP - Local Purchase

Preseeder tiller Models 605, 725 & 805 PARTS LIST

Figure 19. Cylinder Assembly - (Depth)



Preseeder tiller Models 605, 725 & 805 PARTS LIST



New Holland, PA 17557
Phone (717) 354-8721 • FAX (717) 354-2162
1-800-342-0905
www.preseeder.com

Figure 19. Cylinder Assembly - (Depth)

Item	Part No.	Qty	Description
1	000-166-083	1	Cylinder Assembly, w/4FB, 1-1/2" Bore x 12" Stroke, ASN 1260
	000-166-010	1	Cylinder Assembly, w/4FP, 1-1/2" Bore x 12" Stroke, BSN 1261 Includes Items 2 thru 15
2	000-166-340	1	Barrel Assembly, w/4FB, ASN 1260
	000-166-348	1	Barrel Assembly, w/4FP, BSN 1261
3	LP	1	Nut, Lock, 1/2"-20UNF
4	000-166-341	1	Piston
5	NSS	1	Uniring
6	NSS	2	Ring, Back Up
7	NSS	1	O-Ring
8	NSS	1	O-Ring
9	NSS	1	Ring, Back Up
10	000-166-342	1	Head, Cap, Threaded
11	NSS	1	U-Cup, Loaded
12	NSS	1	Wiper, Rod
13	000-166-343	1	Cap, Threaded
14	LP	1	Screw, Set, 1/4"-20UNC x 1/4" Long
15	000-166-344	1	Rod Assembly
	000-166-019	AR	Kit, Cylinder Repair Includes: Items 5 thru 9, 11 & 12 FP-Female Pipe FB-Female O-Ring Boss

AR - As Required NSS - Not Serviced Separately ASN - After Serial No. BSN - Before Serial No. LP - Local Purchase

Preseeder tiller Models 605, 725 & 805 PARTS LIST

Figure 20. Decals



Preseeder tiller Models 605, 725 & 805 PARTS LIST



New Holland, PA 17557
Phone (717) 354-8721 • FAX (717) 354-2162
1-800-342-0905
www.preseeder.com

Figure 20. Decals

Item	Part No.	Qty	Description
	000-186-001	1	Kit: Decals (Model 605), Includes Items 1 thru 13
	000-186-036	1	Kit: Decals (Model 725), Includes Items 1 thru 12, 14
	000-186-002	1	Kit: Decals (Model 805), Includes Items 1 thru 12, 15
1	000-186-005	1	Decal, Preseeder
2	000-186-009	2	Decal, Oil Fill
3	000-186-010	2	Decal, Oil Level
4	000-186-011	1	Decal, Warning, (Read Manual)
5	000-186-041	1	Decal, Warning, (High-Pressure)
6	000-186-014	2	Decal, Warning (Rotating Teeth)
7	000-186-029	2	Decal, Grease Point, 10 hr.
8	000-186-031	2	Decal, Grease Point, 20 hr.
9	000-186-034	1	Decal, Grease Point, 40 hr., BSN 1707
10	000-186-013	2	Decal, Warning (Pinch Point)
11	000-186-016	1	Decal, Danger (Rotating Drive Shaft)
12	000-186-015	1	Decal, Danger (Shield Missing)
13	000-186-006	1	Decal, 605
14	000-186-037	1	Decal, 725
15	000-186-007	1	Decal, 805
16	000-186-035	1	Plate, Model and Serial Number, Adhesive Backed

AR - As Required NSS - Not Serviced Separately ASN - After Serial No. BSN - Before Serial No. LP - Local Purchase