

PRESEEDER[®]

LANDSCAPING TILLER

PARTS MANUAL

FOR

MODEL 686



New Holland, PA 17557
Phone (717) 354-8721 • FAX (717) 354-2162
1-800-342-0905
www.preseeder.com

AUGUST 2003
CAT.# PS686PM-0803

COPYRIGHT 2003 by
ATI Corporation
New Holland, PA 17557 U.S.A.

All rights reserved. No part of this publication may be reproduced, stored in a retrieval system, or transmitted in any form or by any means, electronic, mechanical, photocopying, recording, or otherwise, without prior written permission of ATI Corporation.

DISCLAIMER

THE INFORMATION IN THIS MANUAL IS PROVIDED TO PROMOTE THE SAFE USE OF, AND ASSIST THE OPERATOR IN ACHIEVING THE BEST PERFORMANCE FROM, MODEL 686 Preseeder® Landscaping Tillers DESCRIBED HEREIN, FOR THEIR INTENDED APPLICATIONS.

Preseeder® is a registered trademark of ATI Corporation.

Preseeder tiller Model 686 PARTS LIST

TABLE OF CONTENTS



New Holland, PA 17557
Phone (717) 354-8721 • FAX (717) 354-2162
1-800-342-0905
www.preseeder.com

SUBJECT	PAGE NO.
WARRANTY	iv
SERIAL NUMBER INFORMATION	iv
WHERE TO GET PARTS AND SERVICE	iv
HOW TO ORDER PARTS	v
LIST OF PARTS ILLUSTRATIONS	1



New Holland, PA 17557
 Phone (717) 354-8721 • FAX (717) 354-2162
 1-800-342-0905
 www.preseeder.com

Preseeder tiller Model 686 PARTS LIST

WARRANTY, SERIAL NUMBERS, PARTS & SERVICE

WARRANTY

This Preseeder tiller is designed and manufactured to high quality standards. ATI Corporation, therefore, guarantees this tiller to be free from defect in workmanship and materials for one year from purchase date. **If the machine is used for rental purposes, the warranty is limited to ninety (90) days.**

Rotor teeth and normal wear are not covered by this warranty.

Misuse, abuse, misapplication, and unauthorized alterations will void this warranty.

SERIAL NUMBER INFORMATION

It is very important that the correct serial number is provided when ordering parts. The serial number plate is located on the front right (non-drive end) corner of the main frame. Earlier units utilized a seven-digit alpha-numerical code, while newer models now use a four digit numeric-only. For instance, a unit with serial number E59893W was built before the unit with serial number 1000. Please mark the model and serial number of your Preseeder in the space provided below in case the plate on your preseeder gets lost or damaged.

Model **Serial Number**

Dealer Name **Dealer Phone Number**

WHERE TO GET PARTS AND SERVICE

When replacement parts and service are required for your Preseeder Tiller, ATI Corporation recommends returning to the dealer from which the machine was purchased. By going to the dealer, you are dealing with people that understand and know your machine. Our dealers have the experience servicing these machines and stock the most common parts required to keep your Preseeder in top working condition.

NOTE:

ATI Corporation reserves the right to discontinue models at any time, change specifications, and improve design without notice and without incurring obligation on goods previously purchased and to discontinue supplying any part listed, when the demand does not warrant production.

Preseeder tiller Model 686 PARTS LIST

HOW TO ORDER PARTS



New Holland, PA 17557
Phone (717) 354-8721 • FAX (717) 354-2162
1-800-342-0905
www.preseeder.com

Parts lists contained in this book have been prepared to help you when ordering spare and/or replacement parts. Your order will be filled promptly and accurately when the following information is provided:

1. Model and serial number of the unit. (This specifically identifies the equipment you have and permits us to verify the part numbers in your order.)
2. The parts list page number and catalog number. Include catalog revision number, if applicable.
3. The **Item** number for each part. **Item** numbers on the parts list page correspond with the numbers shown on the illustration.
4. **Part Number** as it appears in the parts list. In most cases this will be a nine-digit number; for example: 200-147-000.
5. The **Description** for the part as it appears on the parts list page.

When a complete assembly is needed, use the assembly number given in the parts list. If no assembly number is given, order by main assembly title and list only the item numbers you want. For example: "PTO Shaft Assembly per 000-176-025, Items 6 through 12, inclusive".

The part ordered may have a new part number, or the part may have been replaced by a newer design with a different part number. In these cases your acknowledgement, shipping papers and invoices will be written listing the current part number first; the old part number you referred to will follow the part description.

Our purpose in doing this is to tell you that the parts are fully interchangeable. This will avoid any unnecessary correspondence or delay in processing your order. We suggest that you add any new number to your parts lists for future use.

Preseeder tiller Model 686 PARTS LIST

LIST OF PARTS ILLUSTRATIONS



New Holland, PA 17557
Phone (717) 354-8721 • FAX (717) 354-2162
1-800-342-0905
www.preseeder.com

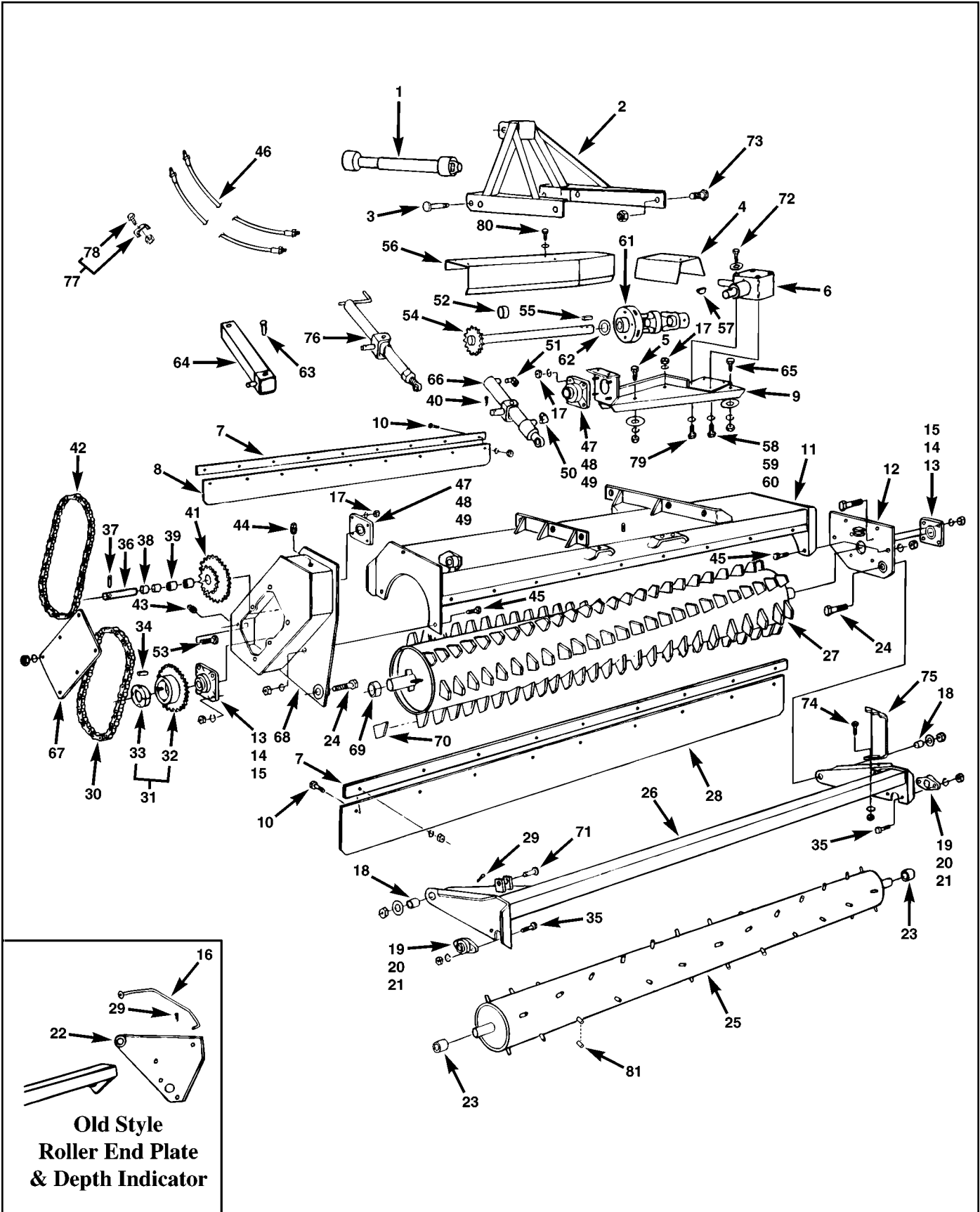
Figure 1. Preseeder Assembly	2
Figure 2. PTO Shaft Assembly	8
Figure 3. Friction Clutch Assembly	10
Figure 4. Decals	12



New Holland, PA 17557
 Phone (717) 354-8721 • FAX (717) 354-2162
 1-800-342-0905
 www.preseeder.com

Preseeder tiller Model 686 PARTS LIST

Figure 1. Preseeder Assembly



Preseeder tiller Model 686 PARTS LIST



New Holland, PA 17557
Phone (717) 354-8721 • FAX (717) 354-2162
1-800-342-0905
www.preseeder.com

Figure 1. Preseeder Assembly

Item	Part No.	Qty	Description
1	000-176-096	1	Shaft Assembly, PTO (See Figure 2 for Breakdown)
2	200-131-000	1	Hitch, 3-Point
3	000-161-001	2	Pin, Hitch, With Lynch Pin
4	200-132-000	1	Shield, Gearbox, Durst
	200-215-000	1	Shield, Gearbox, Bondioli
5	LP	AR	Capscrew, 5/8"-11UNC x 1-1/2" Long, With Flat Washer, Lock Washers & Nut
6	000-176-104	1	Gearbox, (Bondioli) (Check Serial Number)
	000-176-105	1	Gearbox, (Durst) (Check Serial Number)
7	200-133-000	2	Strip, Clamp
8	200-134-000	1	Shield, Rock, Front
9	200-135-000	1	Plate, Drive Shaft, Mount, Durst (Check Serial Number)
	200-216-000	1	Plate, Drive Shaft, Bondioli (Check Serial Number)
10	LP	18	Capscrew, 1/4"-20UNC x 1" Long, With Lock Washers & Nuts
11	200-136-000	1	Frame, Main
12	200-137-000	1	End Plate, Main Frame, Right Hand
13	000-176-106	2	Bearing Assembly, Rotor Shaft, Includes Items 14 and 15
14	000-176-107	2	Flange Only
15	000-176-108	2	Bearing Insert Only
16	200-138-000	1	Indicator, Rod, Depth
17	LP	AR	Nut, 1/2"-13UNC, With Lock Washer
18	200-199-000	2	Bushing, 3/4" ID x 5/8" Long
19	000-176-020	2	Bearing Assembly, Roller Shaft, Includes Items 20 and 21
20	000-176-021	2	Flange Only
21	000-176-022	2	Bearing Insert Only
22	200-139-000	1	End Plate, Roller Frame, Right Hand (Earlier Units Only)
23	200-200-000	2	Bushing, 1" ID x 1-5/16" Long
24	LP	AR	Capscrew, 3/4"-16UNF x 2-3/4" Long, With Flat Washer & Locknut
25	200-140-000	1	Roller
26	200-141-000	2	Frame, Roller
27	200-142-000	1	Rotor
28	200-143-000	1	Shield, Rotor, Rear
29	LP	AR	Pin, Cotter, 1/8" x 1" Long
30	000-176-119	1	Chain, Drive, 80H Roller, 32 Pitch

Units equipped with a Bondioli gearbox are identified with a serial number ending with the letter B. Example: F98354B

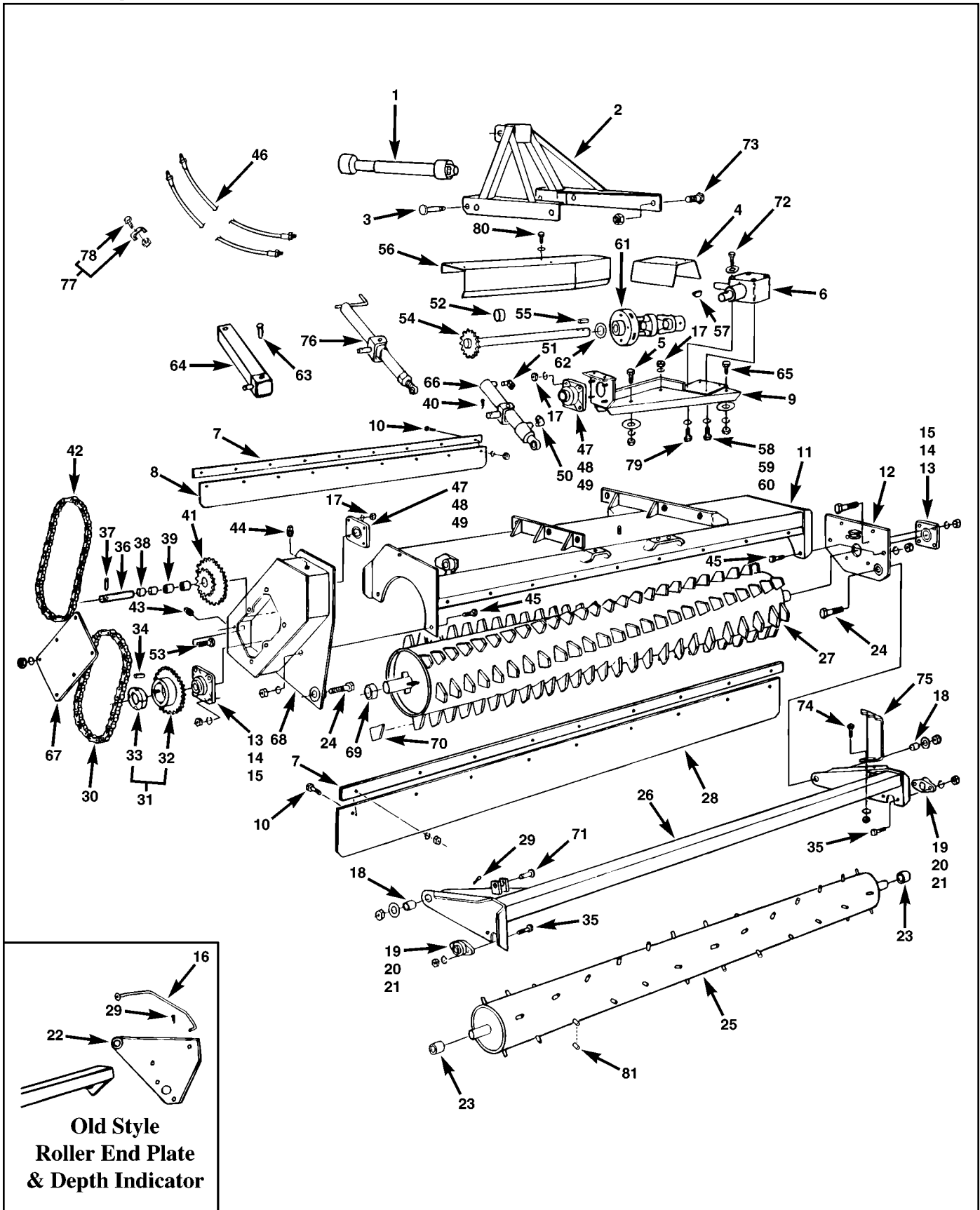
AR - As Required NSS - Not Serviced Separately ASN - After Serial No. BSN - Before Serial No. LP - Local Purchase



New Holland, PA 17557
Phone (717) 354-8721 • FAX (717) 354-2162
1-800-342-0905
www.preseeder.com

Preseeder tiller Model 686 PARTS LIST

Figure 1. Preseeder Assembly



Preseeder tiller Model 686 PARTS LIST



New Holland, PA 17557
Phone (717) 354-8721 • FAX (717) 354-2162
1-800-342-0905
www.preseeder.com

Figure 1. Preseeder Assembly

Item	Part No.	Qty	Description
31	000-176-110	1	Sprocket Assembly, Rotor Shaft, Includes Items 32 and 33
32	000-176-111	1	Sprocket Only
33	000-176-112	1	Tapered Bushing Only
34	200-201-000	1	Key, 3/8" Square x 1-5/8" Long, Old Style
	200-202-000	1	Key, 3/8" x 1/2" x 1-9/16" Long, New Style
35	LP	1	Capscrew, 7/16"-14UNC x 1-1/4" Long
36	200-208-000	1	Shaft, Transmission Sprocket
37	000-161-004	1	Pin, Roll, 3/16" Dia. x 1" Long
38	000-176-113	2	Race, Inner, Bearing
39	000-176-114	2	Bearing, Roller
40	LP	AR	Pin, Cotter, 3/16" x 1" Long
41	200-209-000	1	Sprocket, Transmission
42	000-176-115	1	Chain, Drive, 60 Roller, 42 Pitch
43	000-166-001	1	Plug, Pipe, 3/8"
44	200-203-000	1	Plug, Vented
45	LP	AR	Capscrew, 1/2"-13UNC x 1-1/4" Long, With Lock Washer & Nut
46	000-166-017	2	Hose, Hydraulic 1/4" x 96" Long
47	000-176-116	2	Bearing Assembly, Drive Shaft, Includes Items 48 and 49
48	000-176-008	2	Flange Only
49	000-176-117	2	Bearing Insert Only
50	000-166-007	1	Elbow, Swivel 90°
51	000-166-008	1	Elbow, Swivel 90°, With Orifice
52	200-210-000	1	Bushing, 1-1/4" ID x 7/8" Long
53	LP	AR	Capscrew, 7/16"-14UNC x 1" Long, With Lock Washer & Nut
54	200-211-000	1	Shaft, With Sprocket
55	200-212-000	1	Key, 1/4" Square x 3" Long
56	200-145-000	1	Cover, Drive Shaft

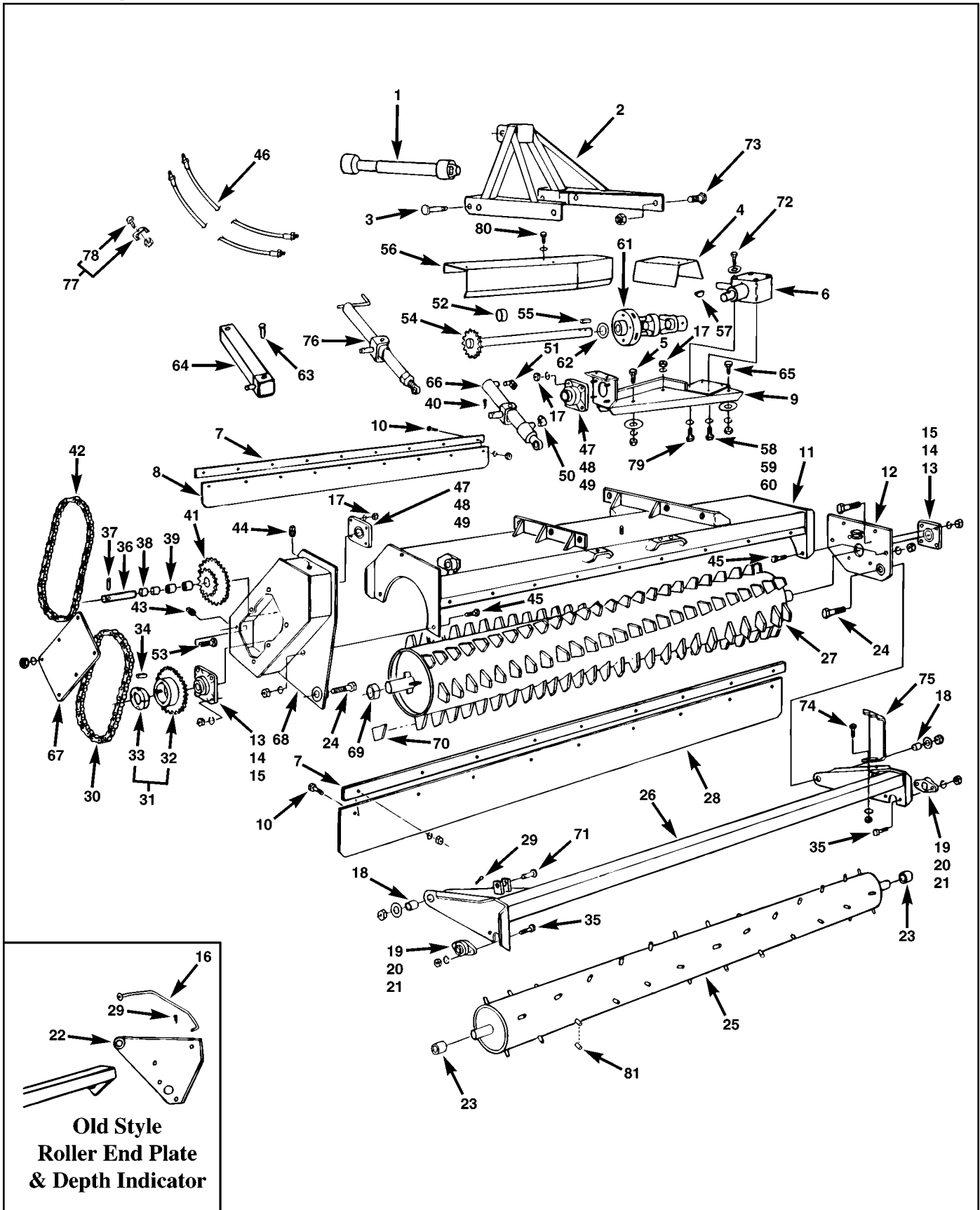
AR - As Required NSS - Not Serviced Separately ASN - After Serial No. BSN - Before Serial No. LP - Local Purchase



New Holland, PA 17557
Phone (717) 354-8721 • FAX (717) 354-2162
1-800-342-0905
www.preseeder.com

Preseeder tiller Model 686 PARTS LIST

Figure 1. Preseeder Assembly



Preseeder tiller Model 686 PARTS LIST



New Holland, PA 17557
Phone (717) 354-8721 • FAX (717) 354-2162
1-800-342-0905
www.preseeder.com

Figure 1. Preseeder Assembly

Item	Part No.	Qty	Description
57	000-176-118	1	Key, Woodruff
58	LP	AR	Capscrew, 1/2"-13UNC x 1-1/2" Long, With Lock Washer & Nut
59	LP	3	Capscrew, 12mm x 30mm (Bondioli Gearbox)
60	LP	1	Capscrew, 12mm x 40mm (Bondioli Gearbox)
61		1	Clutch Assembly, Friction (See Figure 3 for Breakdown)
62	200-204-000	1	Retainer Washer
63	000-161-007	1	Pin, Clevis, 5/8" Dia. x 2-1/2" Long (Used With Item 64)
64	200-146-000	1	Trunnion Tube (Used on units with Serial Nos. 68 055 to 094)
65	LP	AR	Capscrew, 1/2"-13UNC x 1-3/4" Long, With Flat Washer, Lock Washer & Nut
66	200-205-000	1	Cylinder Assembly, Hydraulic, (Serial Nos. 68 094 and earlier)
	200-206-000	1	Cylinder Assembly, Hydraulic, Trunnion Mount (Serial Nos. 68 095 and later)
67	200-147-000	1	Cover, Access, Chain Enclosure
68	200-148-000	1	End Plate, Chain Enclosure
69	200-207-000	1	Bushing, 1-1/2" ID x 9/16" Long
70	200-114-000	1	Tooth, Rotor, Weld-on Replacement
71	000-161-005	1	Pin, Clevis, 5/8" Dia. x 2-1/4" Long
72	LP	AR	Capscrew, 1/2"-13 UNC x 3/4" Long, With Flat Washer
73	LP	AR	Capscrew, 7/8"-9 UNC x 1-3/4" Long, With Locknut
74	LP	AR	Capscrew, 5/16"-18 UNC x 3/4" Long, With Lock Washer & Nut
75	200-213-000	1	Indicator, Depth
76	200-214-000	1	Adjuster, Depth, Manual
77	200-183-000	1	Clamp, Hose, Includes Item 78
78	LP	1	Capscrew, 5/16"-18UNC x 1-1/2" Long, With Locknut
79	LP	AR	Capscrew, 1/2"-13UNC x 1" Long, With Lock Washer
80	LP	AR	Capscrew, 3/8"-16UNC x 3/4" Long, With Flat Washer
81	200-190-001	AR	Pin, Rear Roller, Weld on Replacement
	000-166-020		Kit, Hydraulic Cylinder, Repair Kit, Hydraulic Adjuster, Includes Items 46, 50, 51, 66, 77, 78
			Units equipped with a Bondioli gearbox are identified with a serial number ending with the letter B. Example: F98354B

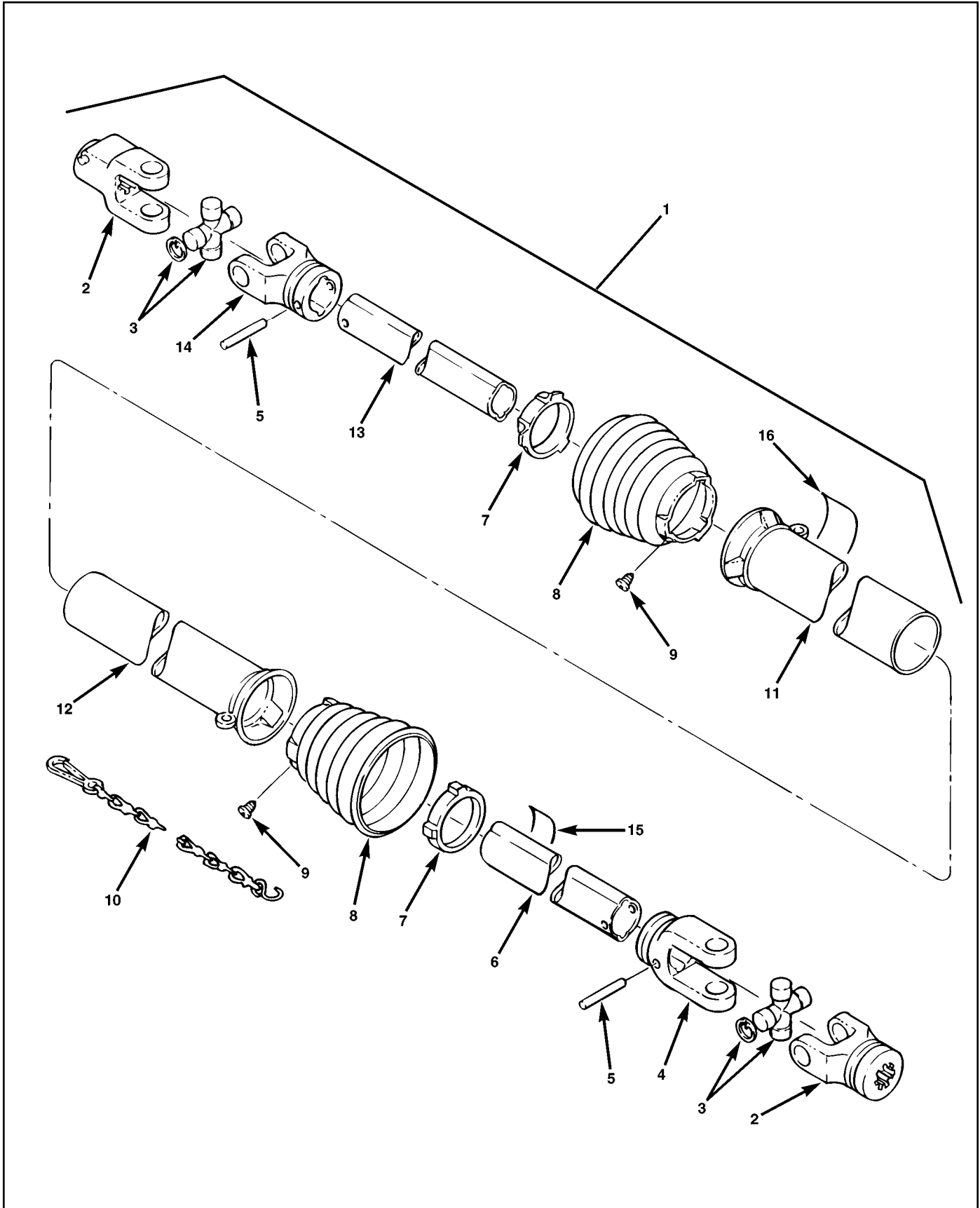
AR - As Required NSS - Not Serviced Separately ASN - After Serial No. BSN - Before Serial No. LP - Local Purchase



New Holland, PA 17557
Phone (717) 354-8721 • FAX (717) 354-2162
1-800-342-0905
www.preseeder.com

Preseeder tiller Model 686 PARTS LIST

Figure 2. PTO Shaft Assembly



Preseeder tiller Model 686 PARTS LIST



New Holland, PA 17557
Phone (717) 354-8721 • FAX (717) 354-2162
1-800-342-0905
www.preseeder.com

Figure 2. PTO Shaft Assembly

Item	Part No.	Qty	Description
1	000-176-096	1	Shaft Assembly, PTO, Includes Items 2 thru 16
2	000-176-039	1	Yoke, Splined, Tractor
3	000-176-027	2	Kit, Cross, Bearing, Retaining Rings, and Lube Fitting
4	000-176-028	1	Yoke, Inboard, Female Member
5	000-176-029	2	Pin
6	000-176-030	1	Telescoping Member, Female
7	000-176-031	2	Ring, Bearing
8	000-176-032	2	Guard Cone
9	000-176-033	2	Screw
10	000-176-034	1	Chain, Safety
11	000-176-035	1	Tube, Outer Guard
12	000-176-036	1	Tube, Inner Guard
13	000-176-037	1	Telescoping Member, Male
14	000-176-038	1	Yoke, Inboard, Male Member
15	000-186-016	1	Decal, Danger, Inner
16	000-186-015	1	Decal, Danger, Outer

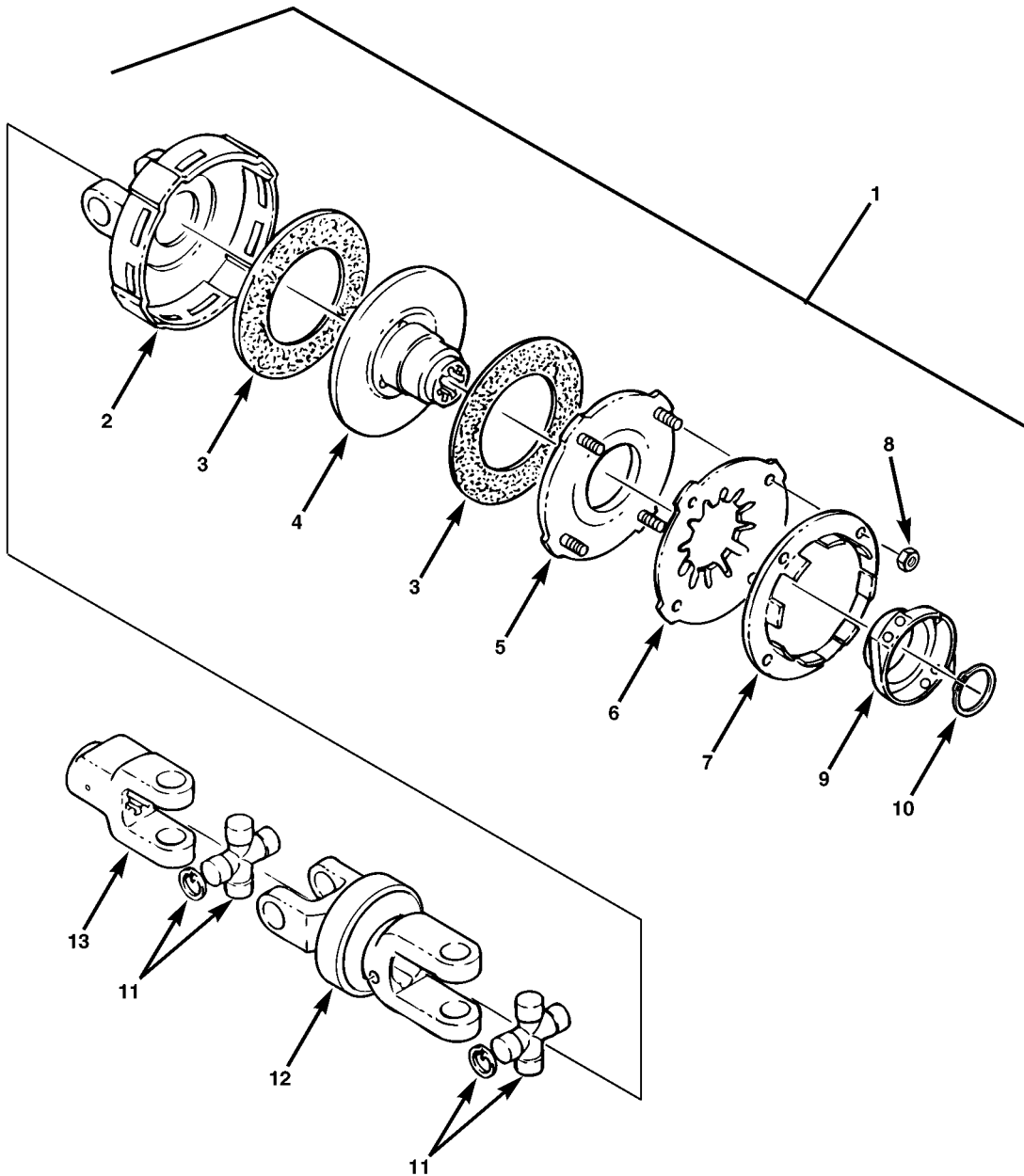
AR - As Required NSS - Not Serviced Separately ASN - After Serial No. BSN - Before Serial No. LP - Local Purchase



New Holland, PA 17557
Phone (717) 354-8721 • FAX (717) 354-2162
1-800-342-0905
www.preseeder.com

Preseeder tiller Model 686 PARTS LIST

Figure 3. Friction Clutch Assembly



Preseeder tiller Model 686 PARTS LIST



New Holland, PA 17557
Phone (717) 354-8721 • FAX (717) 354-2162
1-800-342-0905
www.preseeder.com

Figure 3. Friction Clutch Assembly

Item	Part No.	Qty	Description
1	000-176-097	1	Clutch Assembly, Friction, With Double U-Joint, Bondioli Gearbox Includes Items 2 thru 13
	000-176-095	1	Clutch Assembly, Friction, With Double U-Joint, Durst Gearbox Includes Items 2 thru 13
	000-176-098	1	Clutch Assembly, Friction, Without Double U-Joint Includes Items 2 thru 10
2	000-176-040	1	Housing, Clutch
3	000-176-041	2	Disc, Friction
4	000-176-099	1	Hub
5	000-176-044	1	Plate, Thrust
6	000-176-100	1	Spring, Belleville Red
7	000-176-047	1	Ring, Lug
8	LP	4	Nut, Hex, M8-1.25
9	000-176-048	1	Sleeve, Alarm
10	000-176-103	1	Ring, Retaining
11	000-176-027	2	Kit, Cross, Bearing, Retaining Rings, and Lube Fitting
12	000-176-102	1	Yoke, Double
13	000-176-101	1	Yoke, Bondioli Gearbox, 1-3/8"-6 Spline
	000-176-109	1	Yoke, Durst Gearbox, 1-3/8" Round Bore, 5/16" Keyway

AR - As Required NSS - Not Serviced Separately ASN - After Serial No. BSN - Before Serial No. LP - Local Purchase



New Holland, PA 17557
 Phone (717) 354-8721 • FAX (717) 354-2162
 1-800-342-0905
 www.preseeder.com

Preseeder tiller Model 686 PARTS LIST

Figure 4. Decals



OIL FILL

OIL LEVEL
See Operator's Manual
for specifications

ATTENTION
SLIP CLUTCH IS NON-ADJUSTABLE! Tampering
with four (4) disassembly nuts on clutch
face will result in damage to machine.

WARNING
AVOID INJURY FROM
ROTATING TEETH
Keep hands,
feet, and
clothing away.

WARNING

Read and understand the Operator's Manual before attaching tiller or operating the unit.

When starting or operating tiller, keep all bystanders clear of machine; be alert for flying debris. (Max. PTO speed is 540 rpm)

Do not operate tiller if shields are not in place and secured.

Before servicing, cleaning or clearing debris:

- Position PTO control lever to "off".
- Shut down tractor engine.
- Wait for PTO and tiller rotation to stop.
- Lower tiller to ground or block securely.

Consult your tractor operator's manual for front/rear ballast (weight) requirements with tiller installed.

DO NOT STAND OR RIDE ON TILLER.

DANGER

ROTATING DRIVELINE
CONTACT CAN CAUSE DEATH
KEEP AWAY!

DO NOT OPERATE WITHOUT

- ALL DRIVELINE, TRACTOR AND EQUIPMENT SHIELDS IN PLACE
- DRIVELINES SECURELY ATTACHED AT BOTH ENDS
- DRIVELINE SHIELDS THAT TURN FREELY ON DRIVELINE

DANGER

**SHIELD MISSING
DO NOT OPERATE**

DANGER

**SHIELD MISSING
DO NOT OPERATE**

DANGER

MANUFACTURED BY

New Holland PA 17557

MODEL **SERIAL**

Preseeder tiller Model 686 PARTS LIST



New Holland, PA 17557
 Phone (717) 354-8721 • FAX (717) 354-2162
 1-800-342-0905
 www.preseeder.com

Figure 4. Decals

Item	Part No.	Qty	Description
	000-186-019	1	Kit: Decals, Includes Items 1 thru 8
1	000-186-005	1	Decal, Preseeder
2	000-186-008	1	Decal, Attention
3	000-186-009	2	Decal, Oil Fill
4	000-186-010	2	Decal, Oil Level
5	000-186-011	1	Decal, Warning
6	000-186-014	2	Decal, Warning (Rotating Teeth)
7	000-186-015	1	Decal, Danger (Shield Missing)
8	000-186-016	1	Decal, Danger (Rotating Drive Shafts)
9	000-186-035	1	Plate, Model and Serial Number, Adhesive Backed

AR - As Required NSS - Not Serviced Separately ASN - After Serial No. BSN - Before Serial No. LP - Local Purchase