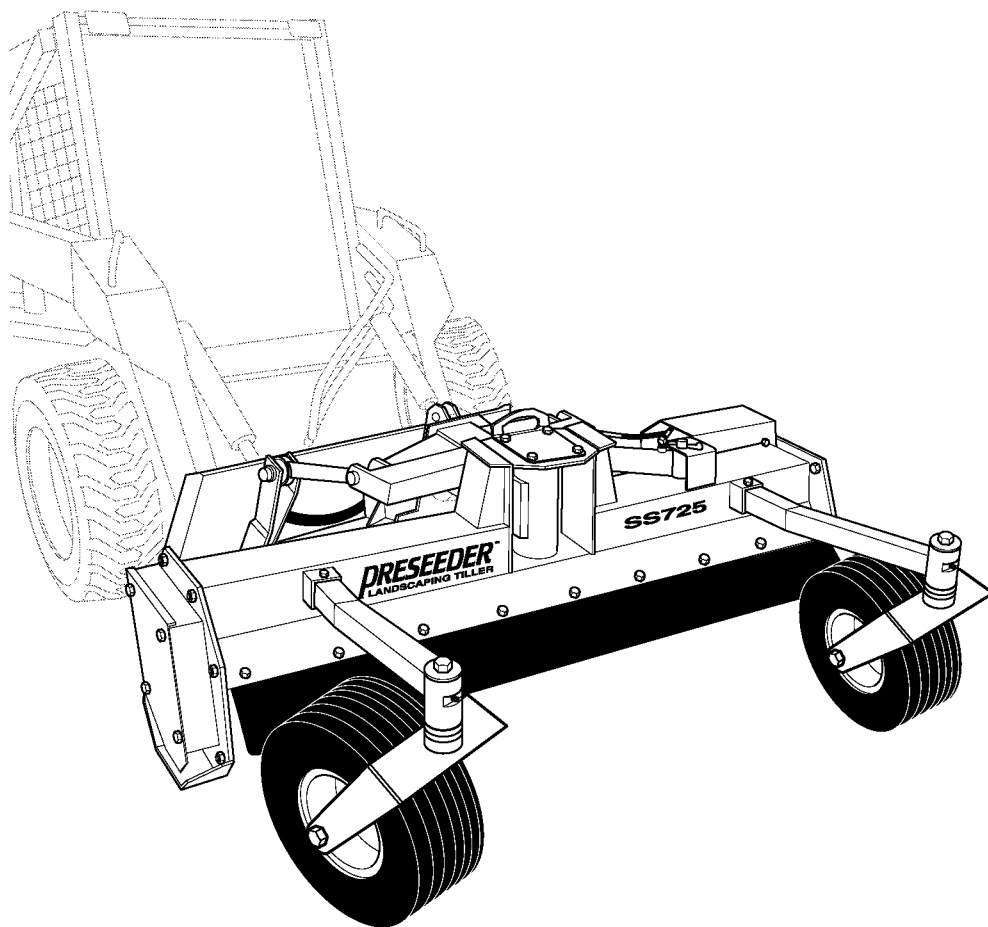


# ***PRESEEDER***<sup>®</sup> LANDSCAPING TILLER

## **PARTS MANUAL**

**FOR**

**MODEL SS725**



# **ATI**

C O R P O R A T I O N

New Holland, PA 17557

Phone (717) 354-8721 • FAX (717) 354-2162

1-800-342-0905

[www.preseeder.com](http://www.preseeder.com)

**AUGUST 2003**

CAT.# PSSS725PM-0803



COPYRIGHT 2003 by  
**ATI Corporation**  
New Holland, PA 17557 U.S.A.

All rights reserved. No part of this publication may be reproduced, stored in a retrieval system, or transmitted in any form or by any means, electronic, mechanical, photocopying, recording, or otherwise, without prior written permission of ATI Corporation.

## **DISCLAIMER**

THE INFORMATION IN THIS MANUAL IS PROVIDED TO PROMOTE THE SAFE USE OF, AND ASSIST THE OPERATOR IN ACHIEVING THE BEST PERFORMANCE FROM, MODEL SS725 Preseeder® Landscaping Tillers DESCRIBED HEREIN, FOR THEIR INTENDED APPLICATIONS.

Preseeder® is a registered trademark of ATI Corporation.



# Preseeder tiller Model SS725 PARTS LIST

## TABLE OF CONTENTS



New Holland, PA 17557  
Phone (717) 354-8721 • FAX (717) 354-2162  
**1-800-342-0905**  
www.preseeder.com

<b>SUBJECT</b>	<b>PAGE NO.</b>
WARRANTY .....	.iv
SERIAL NUMBER INFORMATION .....	.iv
WHERE TO GET PARTS AND SERVICE .....	.iv
HOW TO ORDER PARTS .....	.v
LIST OF PARTS ILLUSTRATIONS .....	.1



New Holland, PA 17557  
 Phone (717) 354-8721 • FAX (717) 354-2162  
 1-800-342-0905  
 www.preseeder.com

# Preseeder tiller Model SS725 PARTS LIST

## WARRANTY, SERIAL NUMBERS, PARTS & SERVICE

### WARRANTY

This Preseeder tiller is designed and manufactured to high quality standards. ATI Corporation, therefore, guarantees this tiller to be free from defect in workmanship and materials for one year from purchase date. **If the machine is used for rental purposes, the warranty is limited to ninety (90) days.**

Rotor teeth and normal wear are not covered by this warranty.

Misuse, abuse, misapplication, and unauthorized alterations will void this warranty.

### SERIAL NUMBER INFORMATION

It is very important that the correct serial number is provided when ordering parts. The serial number plate is located on the front right (non-drive end) corner of the main frame. Earlier units utilized a seven-digit alpha-numerical code, while newer models now use a four digit numeric-only. For instance, a unit with serial number E59893W was built before the unit with serial number 1000. Please mark the model and serial number of your Preseeder in the space provided below in case the plate on your preseeder gets lost or damaged.

**Model** ..... **Serial Number** .....

**Dealer Name** ..... **Dealer Phone Number** .....

### WHERE TO GET PARTS AND SERVICE

When replacement parts and service are required for your Preseeder Tiller, ATI Corporation recommends returning to the equipment dealer from which the machine was purchased. By going to the dealer, you are working with people that understand and know your machine. Our dealers have the experience servicing these machines and stock the most common parts required to keep your Preseeder in top working condition.

### NOTE:

**ATI Corporation reserves the right to discontinue models at any time, change specifications, and improve design without notice and without incurring obligation on goods previously purchased and to discontinue supplying any part listed, when the demand does not warrant production.**

# Preseeder tiller Model SS725 PARTS LIST

## HOW TO ORDER PARTS



New Holland, PA 17557  
Phone (717) 354-8721 • FAX (717) 354-2162  
**1-800-342-0905**  
[www.preseeder.com](http://www.preseeder.com)

Parts lists contained in this book have been prepared to help you when ordering spare and/or replacement parts. Your order will be filled promptly and accurately when the following information is provided:

1. Model and serial number of the unit. (This specifically identifies the equipment you have and permits us to verify the part numbers in your order.)
2. The parts list page number and catalog number. Include catalog revision number, if applicable.
3. The **Item** number for each part. **Item** numbers on the parts list page correspond with the numbers shown on the illustration.
4. **Part Number** as it appears in the parts list. In most cases this will be a nine-digit number; for example: 200-147-000.
5. The **Description** for the part as it appears on the parts list page.

When a complete assembly is needed, use the assembly number given in the parts list. If no assembly number is given, order by main assembly title and list only the item numbers you want. For example: "PTO Shaft Assembly per 000-176-025, Items 6 through 12, inclusive".

The part ordered may have a new part number, or the part may have been replaced by a newer design with a different part number. In these cases your acknowledgement, shipping papers and invoices will be written listing the current part number first; the old part number you referred to will follow the part description.

Our purpose in doing this is to tell you that the parts are fully interchangeable. This will avoid any unnecessary correspondence or delay in processing your order. We suggest that you add any new number to your parts lists for future use.





# Preseeder tiller Model SS725 PARTS LIST



New Holland, PA 17557  
Phone (717) 354-8721 • FAX (717) 354-2162  
1-800-342-0905  
www.preseeder.com

## LIST OF PARTS ILLUSTRATIONS

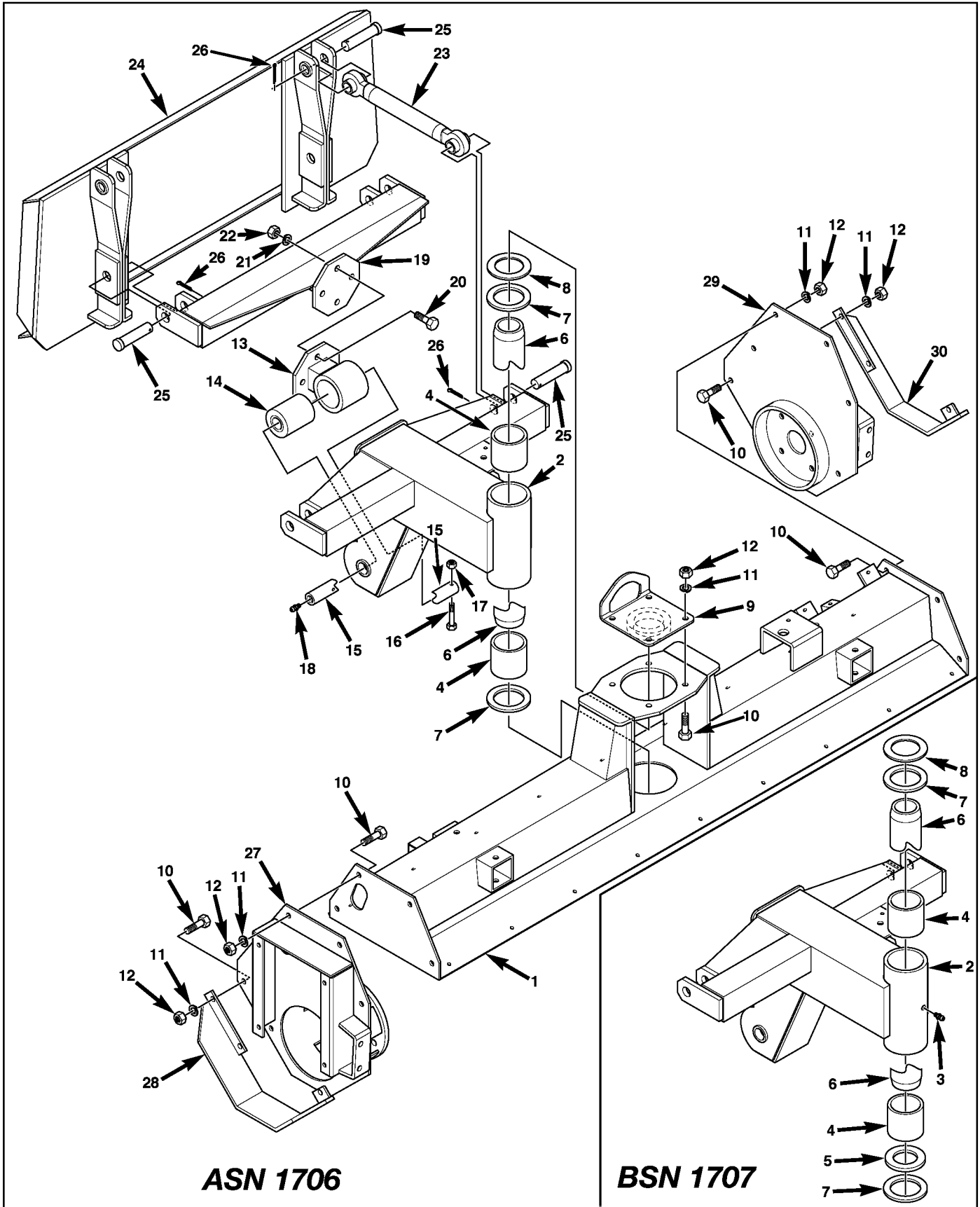
Figure 1.	Main, Pivot & Quick-Attach Frame Assemblies; End Plates .....	2
Figure 2.	Rotor and Drive Assembly - <i>ASN 1627</i> .....	4
Figure 3.	Rotor and Drive Assembly - <i>BSN 1628</i> .....	6
Figure 4.	Front and Rear Shields .....	8
Figure 5.	Wheel Frame, Caster Fork & Wheel - <i>ASN 1683</i> .....	10
Figure 6.	Wheel Frame, Caster Fork & Wheel - <i>BSN 1684</i> .....	12
Figure 7.	Manual Angle Adjuster .....	14
Figure 8.	Angle Pump & Hydraulics .....	16
Figure 9.	Angle Pump Assembly .....	18
Figure 10.	Electrical Connections .....	20
Figure 11.	Power Connections .....	22
Figure 12.	Cylinder Assembly (Angle) .....	24
Figure 13.	Decals .....	26



New Holland, PA 17557  
Phone (717) 354-8721 • FAX (717) 354-2162  
1-800-342-0905  
www.preseeder.com

# Preseeder tiller Model SS725 PARTS LIST

Figure 1. Main, Pivot & Quick-Attach Frame Assemblies; End Plates



# Preseeder tiller Model SS725 PARTS LIST



New Holland, PA 17557  
Phone (717) 354-8721 • FAX (717) 354-2162  
1-800-342-0905  
www.preseeder.com

Figure 1. Main, Pivot & Quick-Attach Frame Assemblies; End Plates

Item	Part No.	Qty.	Description
1	200-250-000	1	Frame, Main
2	200-251-000	1	Frame, Pivot
3	000-166-002	1	Fitting, Lube, Drive, 3/16", <b>BSN 1707</b>
4	000-176-024	2	Bushing, Nylon, 3-1/2" OD x 3" ID x 2" Long, <b>ASN 1706</b>
	000-176-024	2	Bushing, Carbon Steel, 3-1/2" OD x 3" ID x 2" Long, <b>BSN 1707</b>
5	000-176-001	1	Seal, Grease, 3-1/2" OD x 3" ID x 5/16" Thick, <b>BSN 1707</b>
6	200-189-000	1	Pin, King
7	000-155-014	2	Washer, 4-1/4" OD x 3" ID x 14 Gauge WR
8	000-155-015	AR	Washer, Shim, 4-1/4" OD x 3" ID x 18 Gauge WR
9	200-238-000	1	Plate, Top Hinge
10	LP	AR	Capscrew, Hex Head, 1/2"-13UNC x 1-1/4" Long
11	LP	AR	Washer, lock, 1/2"
12	LP	AR	Nut, Hex, 1/2"-13UNC
13	200-253-000	1	Mount, Isolator
14	200-254-000	1	Isolator
15	200-261-000	1	Pin, Lower Hitch Pivot
16	LP	AR	Capscrew, Hex Head, 1/4"-20UNC x 2-1/4" Long
17	LP	AR	Nut, Hex Nylon Lock, 1/4"-20UNC
18	000-166-063	1	Fitting, Lube, Drive, 1/4"
19	200-260-000	1	Hitch, Lower
20	LP	AR	Capscrew, Hex Head, 9/16"-12UNC x 1-1/2" Long
21	LP	AR	Washer, lock, 9/16"
22	LP	AR	Nut, Hex, 9/16"-12UNC
23	200-255-000	2	Arm, Top Hitch
24	200-252-000	1	Attachment Plate, Universal
	200-275-000	1	Attachment Plate, New Holland L550-780, Deere 675 & 675B
	200-276-000	1	Attachment Plate, Gehl
	200-277-000	1	Attachment Plate, Mustang F-A-T
25	000-161-021	6	Pin, Clevis, 1" Dia. x 4" Long
26	LP	6	Pin, Cotter, 3/16" Dia. x 1-1/2" Long
27	200-256-000	1	End Plate, Right Side
28	200-257-000	1	Shoe, Skid, End Plate, Right Side
29	200-258-000	1	End Plate, Left Side
30	200-259-000	1	Shoe, Skid, End Plate, Left Side

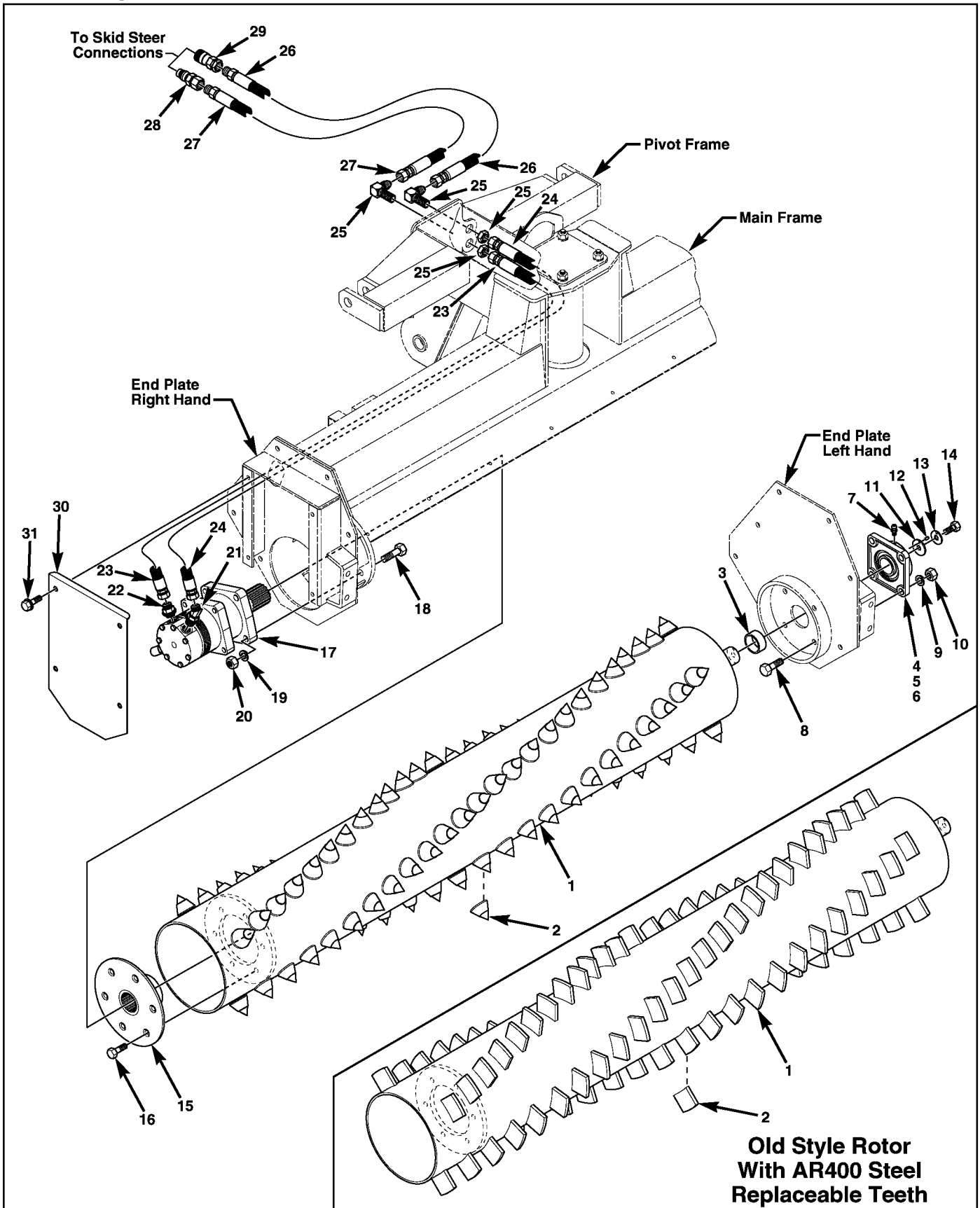
AR - As Required    NSS - Not Serviced Separately    ASN - After Serial No.    BSN - Before Serial No.    LP - Local Purchase



New Holland, PA 17557  
Phone (717) 354-8721 • FAX (717) 354-2162  
1-800-342-0905  
www.preseeder.com

# Preseeder tiller Model SS725 PARTS LIST

Figure 2. Rotor and Drive Assembly - ASN 1627



# Preseeder tiller Model SS725 PARTS LIST



New Holland, PA 17557  
Phone (717) 354-8721 • FAX (717) 354-2162  
1-800-342-0905  
www.preseeder.com

Figure 2. Rotor and Drive Assembly - ASN 1627

Item	Part No.	Qty.	Description
1	200-286-000	1	Rotor, With Carbide Teeth
	200-262-000	1	Rotor, With AR400 Steel Replaceable Teeth
2	001-001-011	AR	Tooth, Carbide
	200-264-000	AR	Tooth, Rotor, AR400 Steel Chamfered (Replacement)
3	200-265-000	1	Spacer, Rotor
4	000-176-141	1	Bearing Assembly, Rotor Shaft Includes, Items 5 thru 7
5	000-176-143	1	Flange Only
6	000-176-144	1	Bearing Insert Only
7	LP	1	Lube Fitting
8	LP	AR	Capscrew, Hex Head, 9/16"-12UNC x 1-3/4" Long
9	LP	AR	Washer, Lock, 9/16"
10	LP	AR	Nut, Hex, 9/16"-12UNC
11	200-160-000	1	Washer, Retaining
12	000-161-004	1	Pin, Roll, 3/16" Dia. x 7/8" Long
13	200-161-000	1	Washer, Keeper
14	LP	1	Capscrew, Hex Head, 1/2"-13UNC x 1" Long
15	200-266-000	1	Hub, Rotor Drive End
16	LP	6	Bolt, Hex Head, Lug, 1/2"-20UNF x 1" Long
17	000-166-064	1	Motor, Hydraulic
18	LP	AR	Capscrew, Hex Head, 5/8"-11UNC x 2-1/4" Long
19	LP	AR	Washer, Lock, 5/8"
20	LP	AR	Nut, Hex, 5/8"-11UNC
21	000-166-065	1	Elbow, 45°, 12MB x 12MJ
22	000-166-066	1	Fitting, Hydraulic, 12MB x 12MJ
23	000-166-095	1	Hose, Hydraulic, 12FJX x 12FJX x 61" Long
24	000-166-096	1	Hose, Hydraulic, 12FJX x 12FJX x 63" Long
25	000-166-099	2	Elbow, 90°, Bulkhead Union 12MJ x 12BH
26	000-166-096	1	Hose, Hydraulic, 12FJX x 12FJX x 63" Long
27	000-166-096	1	Hose, Hydraulic, 12FJX x 12FJX x 63" Long
28	000-166-068	1	Fitting, Quick Disconnect, Male
29	000-166-069	1	Fitting, Quick Disconnect, Female
30	200-268-000	1	Cover, Drive End
31	LP	AR	Capscrew, Hex Head, Serrated Flange, 7/16"-14UNC x 3/4" Long

BH-Bulkhead  
 MP-Male Pipe  
 FP-Female Pipe  
 FPX-Female Pipe Swivel  
 MB-Male O-Ring Boss  
 FB-Female O-Ring Boss  
 MJ-Male JIC  
 FJ-Female JIC  
 FJX-Female JIC Swivel

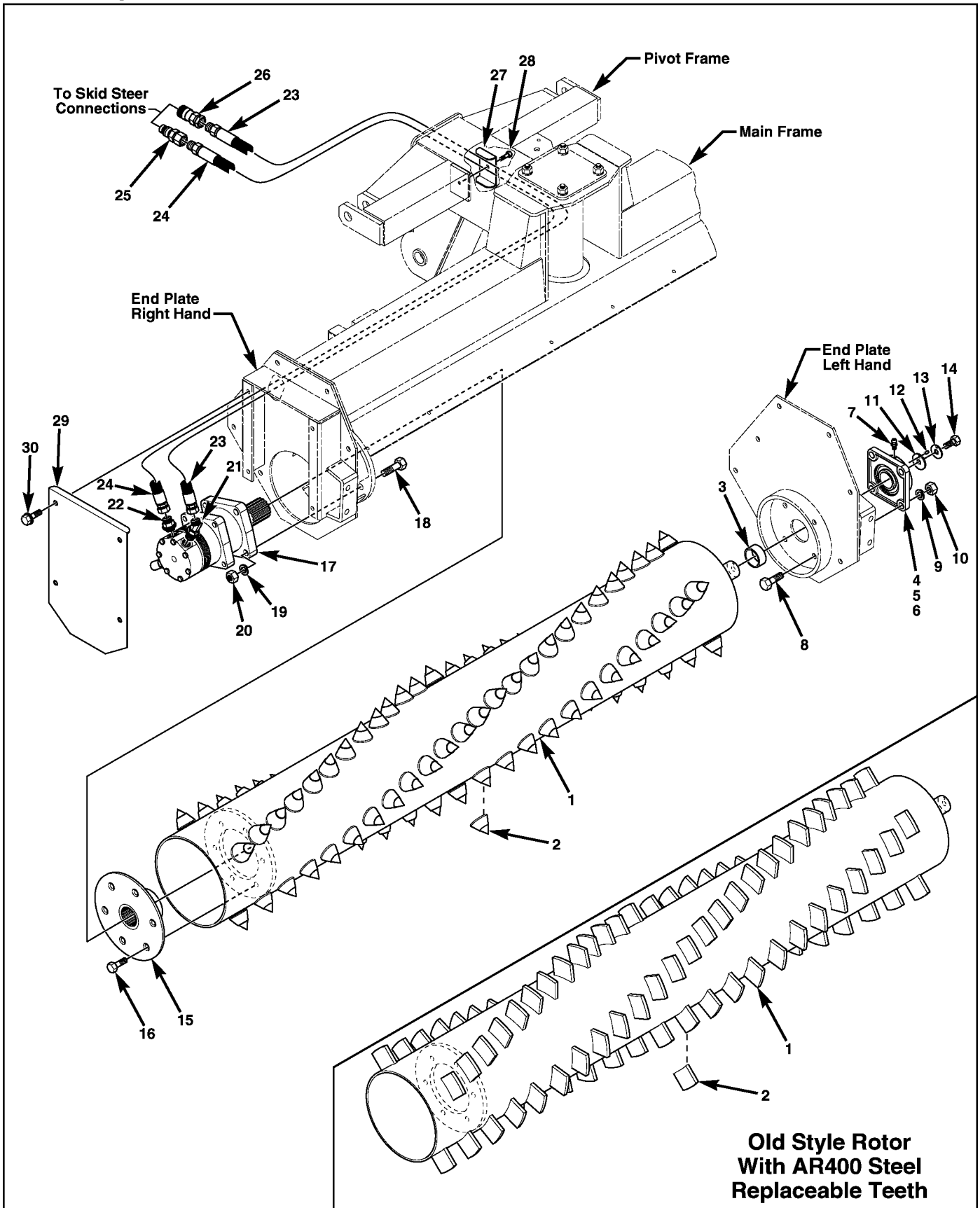
AR - As Required    NSS - Not Serviced Separately    ASN - After Serial No.    BSN - Before Serial No.    LP - Local Purchase



New Holland, PA 17557  
Phone (717) 354-8721 • FAX (717) 354-2162  
1-800-342-0905  
www.preseeder.com

# Preseeder tiller Model SS725 PARTS LIST

Figure 3. Rotor and Drive Assembly - BSN 1628



# Preseeder tiller Model SS725 PARTS LIST



New Holland, PA 17557  
Phone (717) 354-8721 • FAX (717) 354-2162  
1-800-342-0905  
www.preseeder.com

Figure 2. Rotor and Drive Assembly - ASN 1627

Item	Part No.	Qty.	Description
1	200-286-000	1	Rotor, With Carbide Teeth
	200-262-000	1	Rotor, With AR400 Steel Replaceable Teeth
2	001-001-011	AR	Tooth, Carbide
	200-264-000	AR	Tooth, Rotor, AR400 Steel Chamfered (Replacement)
3	200-265-000	1	Spacer, Rotor
4	000-176-141	1	Bearing Assembly, Rotor Shaft Includes, Items 5 thru 7
5	000-176-143	1	Flange Only
6	000-176-144	1	Bearing Insert Only
7	LP	1	Lube Fitting
8	LP	AR	Capscrew, Hex Head, 9/16"-12UNC x 1-3/4" Long
9	LP	AR	Washer, Lock, 9/16"
10	LP	AR	Nut, Hex, 9/16"-12UNC
11	200-160-000	1	Washer, Retaining
12	000-161-004	1	Pin, Roll, 3/16" Dia. x 7/8" Long
13	200-161-000	1	Washer, Keeper
14	LP	1	Capscrew, Hex Head, 1/2"-13UNC x 1" Long
15	200-266-000	1	Hub, Rotor Drive End
16	LP	6	Bolt, Hex Head, Lug, 1/2"-20UNF x 1" Long
17	000-166-064	1	Motor, Hydraulic
18	LP	AR	Capscrew, Hex Head, 5/8"-11UNC x 2-1/4" Long
19	LP	AR	Washer, Lock, 5/8"
20	LP	AR	Nut, Hex, 5/8"-11UNC
21	000-166-065	1	Elbow, 45°, 12MB x 12MJ
22	000-166-066	1	Fitting, Hydraulic, 12MB x 12MJ
23	000-166-067	1	Hose, Hydraulic, 12MB x 12FJX x 126" Long
24	000-166-067	1	Hose, Hydraulic, 12MB x 12FJX x 126" Long
25	000-166-068	1	Fitting, Quick Disconnect, Male
26	000-166-069	1	Fitting, Quick Disconnect, Female
27	200-267-000	1	Clamp, Hose
28	LP	1	Capscrew, Hex Head, 5/16"-18UNC x 1-3/4" Long
29	200-268-000	1	Cover, Drive End
30	LP	AR	Capscrew, Hex Head, Serrated Flange, 7/16"-14UNC x 3/4" Long

BH-Bulkhead  
 MP-Male Pipe  
 FP-Female Pipe  
 FPX-Female Pipe Swivel  
 MB-Male O-Ring Boss  
 FB-Female O-Ring Boss  
 MJ-Male JIC  
 FJ-Female JIC  
 FJX-Female JIC Swivel

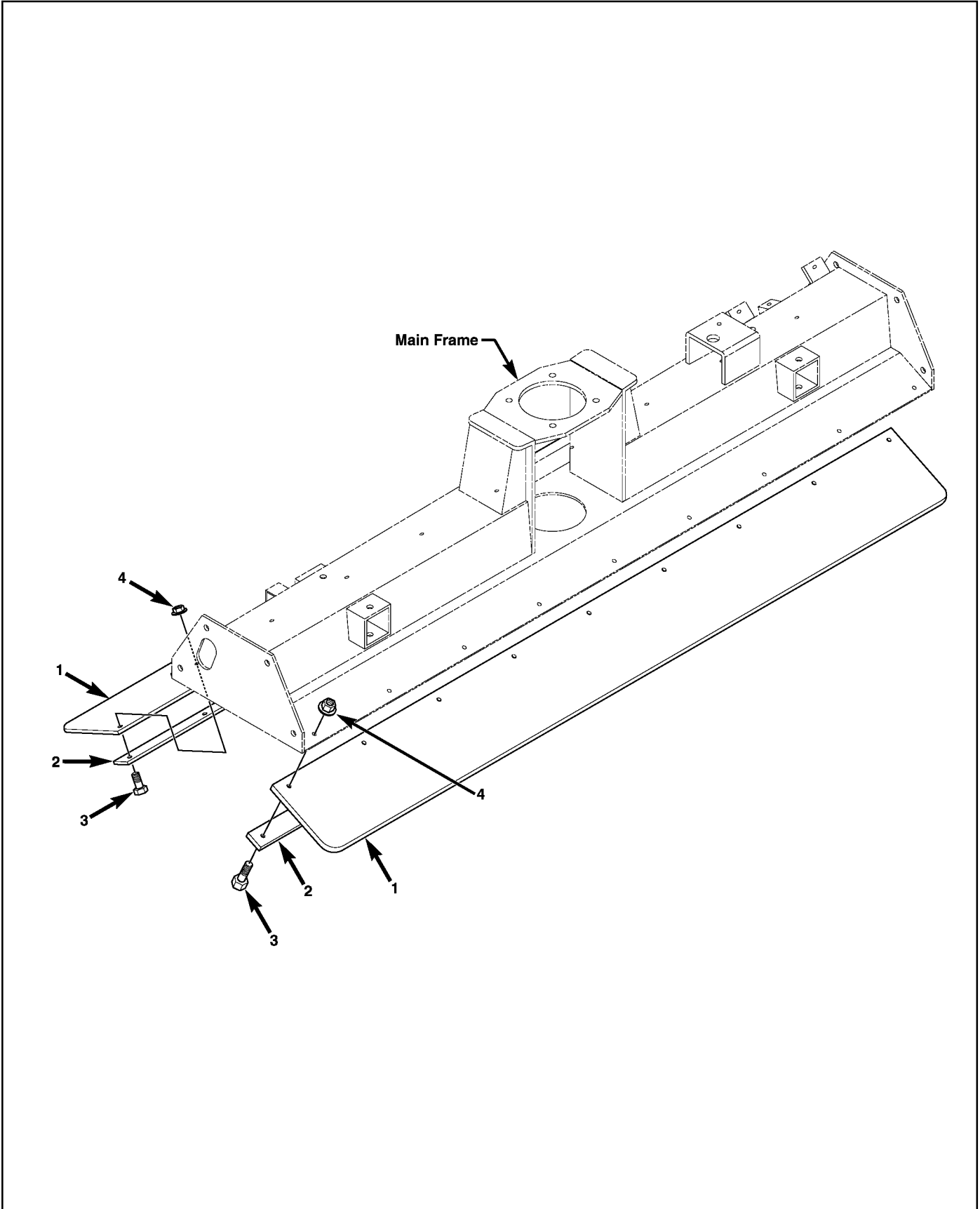
**AR - As Required    NSS - Not Serviced Separately    ASN - After Serial No.    BSN - Before Serial No.    LP - Local Purchase**



New Holland, PA 17557  
Phone (717) 354-8721 • FAX (717) 354-2162  
1-800-342-0905  
www.preseeder.com

# Preseeder tiller Model SS725 PARTS LIST

Figure 4. Front and Rear Shields





# Preseeder tiller Model SS725 PARTS LIST



New Holland, PA 17557  
 Phone (717) 354-8721 • FAX (717) 354-2162  
**1-800-342-0905**  
 www.preseeder.com

Figure 4. Front and Rear Shields

Item	Part No.	Qty.	Description
1	200-134-000	2	Shield, Rock
2	200-133-000	2	Strip, Clamp, Rock Shield
3	LP	AR	Capscrew, Hex Head, 1/4"-20UNC x 1" Long
4	LP	AR	Nut, Hex, Flanged, 1/4"-20UNC

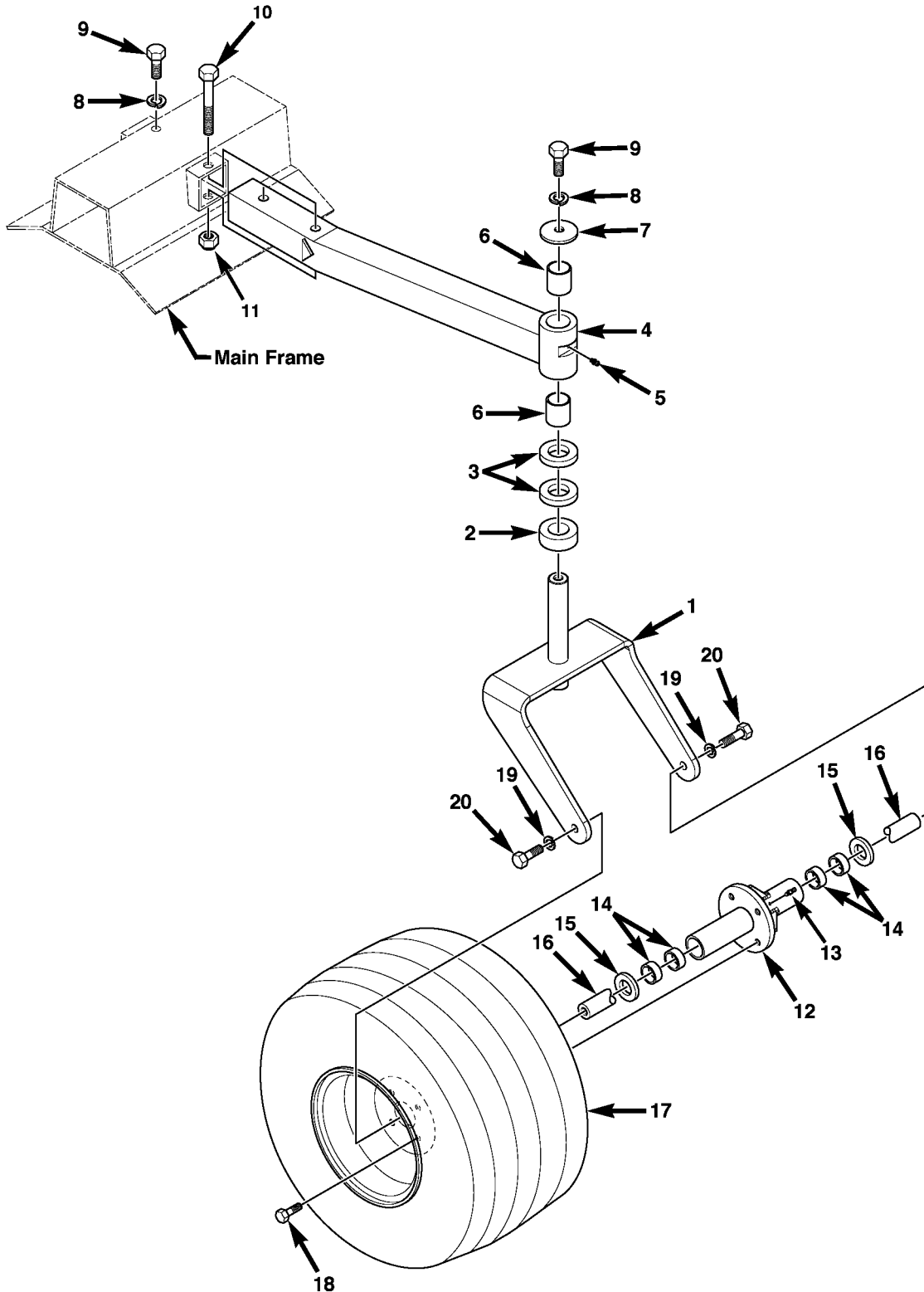
AR - As Required    NSS - Not Serviced Separately    ASN - After Serial No.    BSN - Before Serial No.    LP - Local Purchase



New Holland, PA 17557  
Phone (717) 354-8721 • FAX (717) 354-2162  
1-800-342-0905  
www.preseeder.com

# Preseeder tiller Model SS725 PARTS LIST

Figure 5. Wheel Frame, Caster Fork & Wheel - ASN 1683



# Preseeder tiller Model SS725 PARTS LIST



New Holland, PA 17557  
Phone (717) 354-8721 • FAX (717) 354-2162  
1-800-342-0905  
www.preseeder.com

Figure 5. Wheel Frame, Caster Fork & Wheel - ASN 1683

Item	Part No.	Qty.	Description
1	315-546-000	2	Fork, Caster
2	200-247-000	2	Spacer, 1-1/2" ID x 1" Thick
3	200-246-000	4	Spacer, 1-1/2" ID x 1/2" Thick
4	200-243-000	2	Frame, Wheel
5	000-166-002	2	Fitting, Lube, Drive, 3/16"
6	000-176-171	4	Bushing, 1-3/4" OD x 1-1/2" ID x 1-1/2" Long
7	000-155-004	2	Washer, Flat, 2-1/4" OD x 17/32" x 1/4" Thick
8	LP	4	Washer, Lock, 1/2"
9	LP	4	Capscrew, Hex Head, 1/2"-13UNC x 1-1/4" Long
10	LP	2	Capscrew, Hex Head, 1/2"-13UNC x 3-1/2" Long
11	LP	2	Nut, Hex, Nylon Lock, Jam, 1/2"-13UNC
12	200-245-000	2	Hub
13	LP	2	Fitting, Lube, Drive, 3/16" x 45°
14	000-176-172	8	Bushing, Wheel Hub, 1-1/2" OD x 1-1/4" ID x 1" Long
15	000-155-001	4	Washer, Flat, 2-1/4" OD x 1-1/4" ID x 10 Gauge Thick
16	200-249-000	2	Axle
17	001-001-012	2	Wheel/Tire
18	LP	8	Bolt, Hex Head, Lug, 1/2"-20UNF x 1" Long
19	LP	4	Washer, Lock, 5/8"
20	LP	4	Capscrew, Hex Head, 5/8"-11UNC x 1-1/2" Long

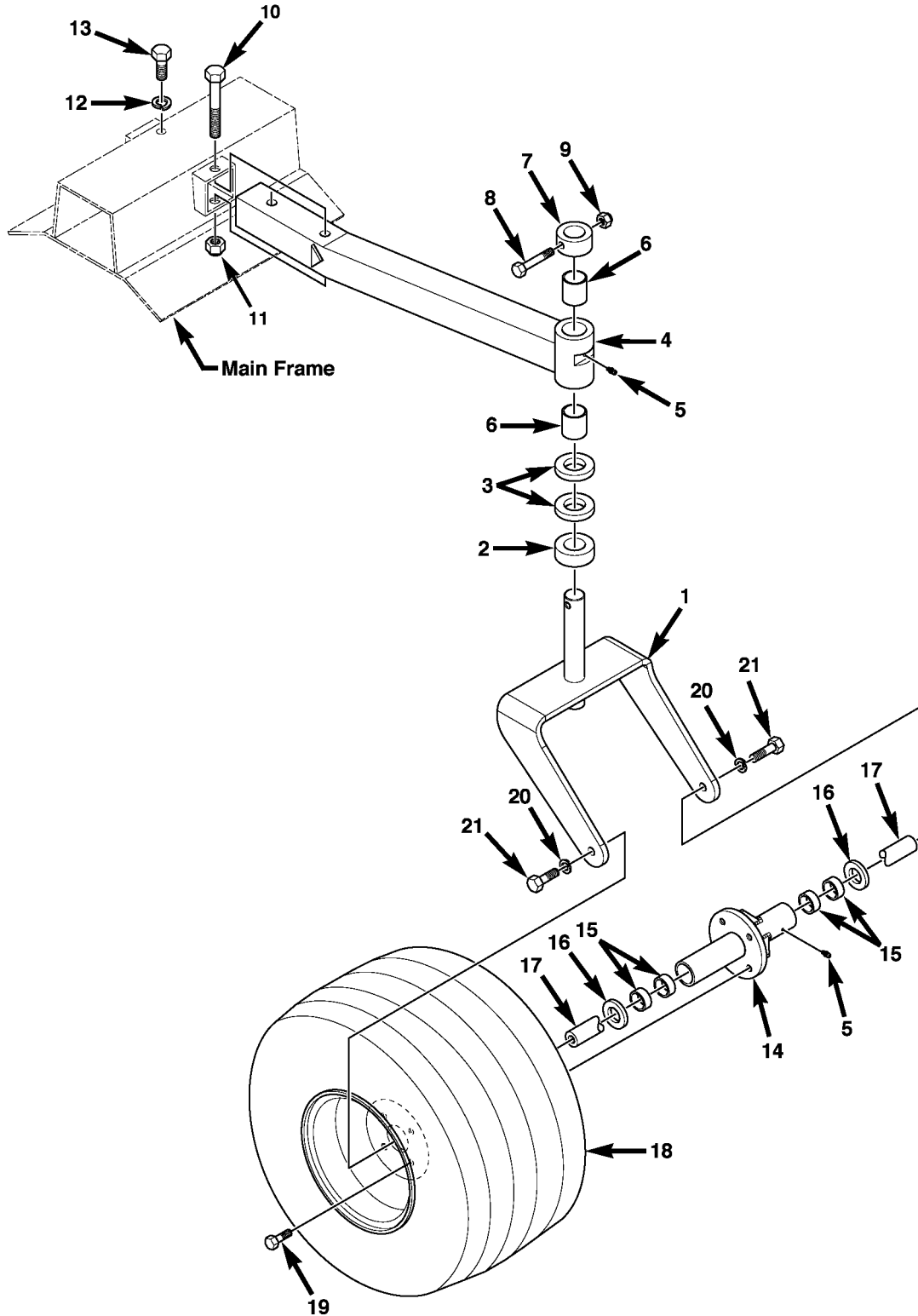
AR - As Required    NSS - Not Serviced Separately    ASN - After Serial No.    BSN - Before Serial No.    LP - Local Purchase



New Holland, PA 17557  
Phone (717) 354-8721 • FAX (717) 354-2162  
1-800-342-0905  
www.preseeder.com

# Preseeder tiller Model SS725 PARTS LIST

Figure 6. Wheel Frame, Caster Fork & Wheel - *BSN 1684*



# Preseeder tiller Model SS725 PARTS LIST



New Holland, PA 17557  
Phone (717) 354-8721 • FAX (717) 354-2162  
1-800-342-0905  
www.preseeder.com

Figure 6. Wheel Frame, Caster Fork & Wheel - BSN 1684

Item	Part No.	Qty.	Description
1	200-244-000	2	Fork, Caster
2	200-247-000	2	Spacer, 1-1/2" ID x 1" Thick
3	200-246-000	4	Spacer, 1-1/2" ID x 1/2" Thick
4	200-243-000	2	Frame, Wheel
5	000-166-002	2	Fitting, Lube, Drive, 3/16"
6	000-176-171	4	Bushing, 1-3/4" OD x 1-1/2" ID x 1-1/2" Long
7	200-248-000	2	Collar, Set, 1-1/2" ID
8	LP	2	Capscrew, Hex Head, 3/8"-16UNC x 2-3/4" Long
9	LP	2	Nut, Hex, Nylon Lock, 3/8"-16UNC
10	LP	2	Capscrew, Hex Head, 1/2"-13UNC x 3-1/2" Long
11	LP	2	Nut, Hex, Nylon Lock, Jam, 1/2"-13UNC
12	LP	2	Washer, Lock, 1/2"
13	LP	2	Capscrew, Hex Head, 1/2"-13UNC x 1-1/4" Long
14	200-245-000	2	Hub
15	000-176-172	8	Bushing, Wheel Hub, 1-1/2" OD x 1-1/4" ID x 1" Long
16	000-155-001	4	Washer, Flat, 2-1/4" OD x 1-1/4" ID x 10 Gauge Thick
17	200-249-000	2	Axle
18	000-188-001	2	Wheel/Tire
19	LP	8	Bolt, Hex Head, Lug, 1/2"-20UNF x 1" Long
20	LP	4	Washer, Lock, 5/8"
21	LP	4	Capscrew, Hex Head, 5/8"-11UNC x 1-1/2" Long

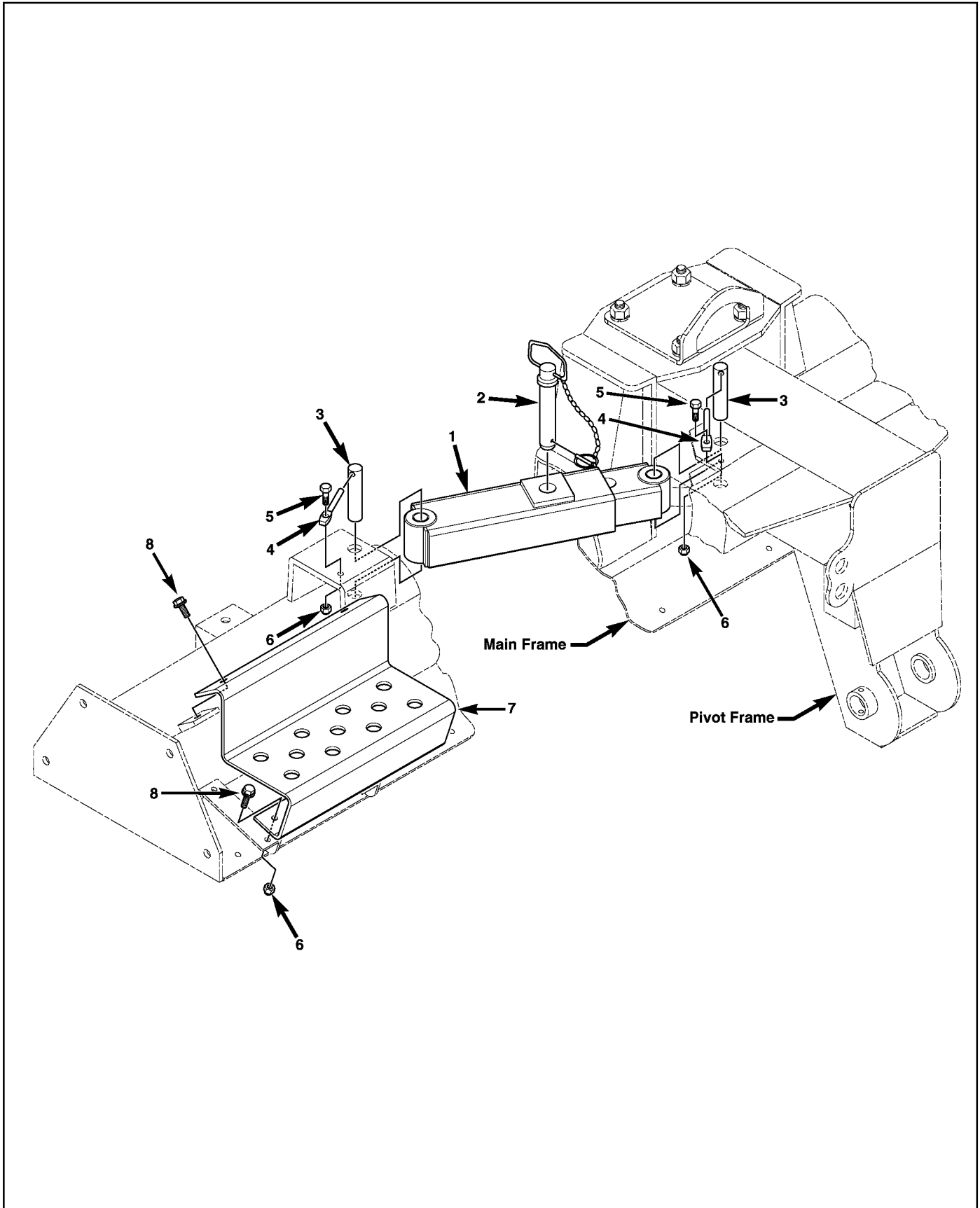
AR - As Required    NSS - Not Serviced Separately    ASN - After Serial No.    BSN - Before Serial No.    LP - Local Purchase



New Holland, PA 17557  
Phone (717) 354-8721 • FAX (717) 354-2162  
1-800-342-0905  
www.preseeder.com

# Preseeder tiller Model SS725 PARTS LIST

Figure 7. Manual Angle Adjuster



# Preseeder tiller Model SS725 PARTS LIST



New Holland, PA 17557  
Phone (717) 354-8721 • FAX (717) 354-2162  
**1-800-342-0905**  
www.preseeder.com

Figure 7. Manual Angle Adjuster

Item	Part No.	Qty.	Description
1	200- 293-000	1	Adjuster, Manual Angle
2	000-161-056	1	Pin, Hitch, 3/4" Dia. x 4-3/4" Long, W/Lynch Pin
3	200-192-000	2	Pin, Cylinder, 1" Dia. x 4-1/4" Long
4	000-161-024	2	Pin, Retainer, 3/8" Dia. x 3-1/4" Long
5	LP	2	Capscrew, Hex Head, 5/16"-18UNC x 1" Long
6	LP	4	Nut, Hex, Nylon Lock, 5/16"-18UNC
7	200-310-000	1	Step, Manual, Angle
8	LP	4	Capscrew, Hex Head, Serrated Flange, 5/16"-18UNC x 3/4" Long

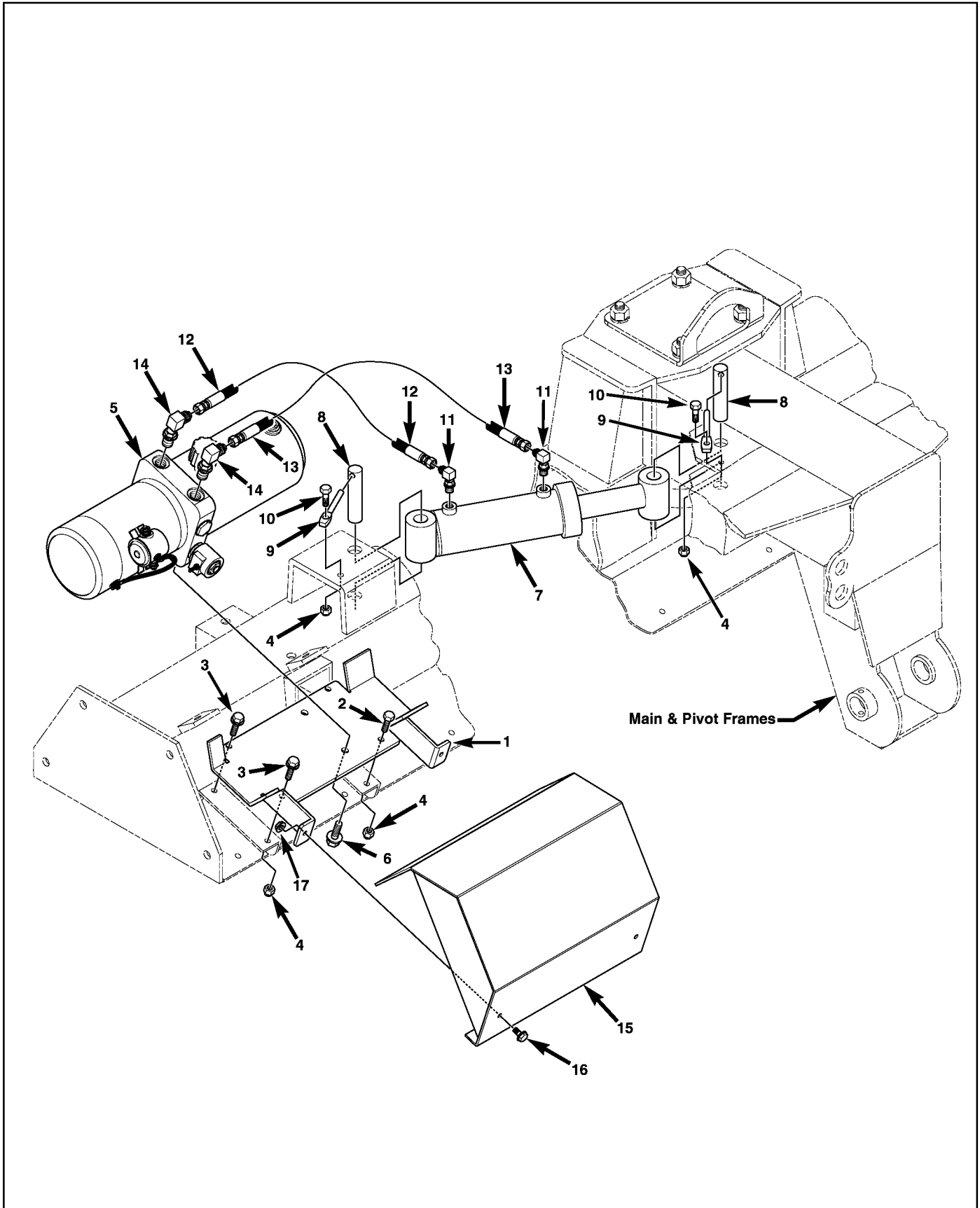
AR - As Required    NSS - Not Serviced Separately    ASN - After Serial No.    BSN - Before Serial No.    LP - Local Purchase



New Holland, PA 17557  
Phone (717) 354-8721 • FAX (717) 354-2162  
1-800-342-0905  
www.preseeder.com

# Preseeder tiller Model SS725 PARTS LIST

Figure 8. Angle Pump and Hydraulics





# Preseeder tiller Model SS725 PARTS LIST



New Holland, PA 17557  
Phone (717) 354-8721 • FAX (717) 354-2162  
1-800-342-0905  
www.preseeder.com

Figure 8. Angle Pump and Hydraulics

Item	Part No.	Qty.	Description
1	200-269-000	1	Bracket, Mounting, Pump
2	LP	1	Capscrew, Hex Head, 5/16"-18UNC x 1" Long
3	LP	3	Capscrew, Hex Head, Serrated Flange, 5/16"-18UNC x 3/4" Long
4	LP	4	Nut, Hex, Nylon Lock, 5/16"-18UNC
5	000-166-075	1	Pump Assembly, Angle
6	LP	2	Capscrew, Hex Head, Serrated Flange, 3/8"-16UNC x 1/2" Long
7	000-166-071	1	Cylinder, Hydraulic, Angle Control (See Figure 12 for Breakdown)
8	200-192-000	2	Pin, Cylinder, 1" Dia. x 4-1/4" Long
9	000-161-024	2	Pin, Retainer, 3/8" Dia. x 3-1/4" Long
10	LP	2	Capscrew, Hex Head, 5/16"-18UNC x 1" Long
11	000-166-048	2	Elbow, 90°, 4MB x 4MJ
12	000-166-072	1	Hose, Hydraulic, 4FJX x 4FJX x 13" Long
13	000-166-073	1	Hose, Hydraulic, 4FJX x 4FJX x 21" Long
14	000-166-074	2	Elbow, 90°, 6MB x 4MJ
15	200-270-000	1	Shield, Pump
16	LP	4	Capscrew, Hex Head, Serrated Flange, 5/16"-18UNC x 3/4" Long
17	LP	2	Nut, Hex, Serrated Flange, 5/16"-18UNC

MP-Male Pipe  
FP-Female Pipe  
FPX-Female Pipe Swivel  
MB-Male O-Ring Boss  
FB-Female O-Ring Boss  
MJ-Male JIC  
FJ-Female JIC  
FJX-Female JIC Swivel

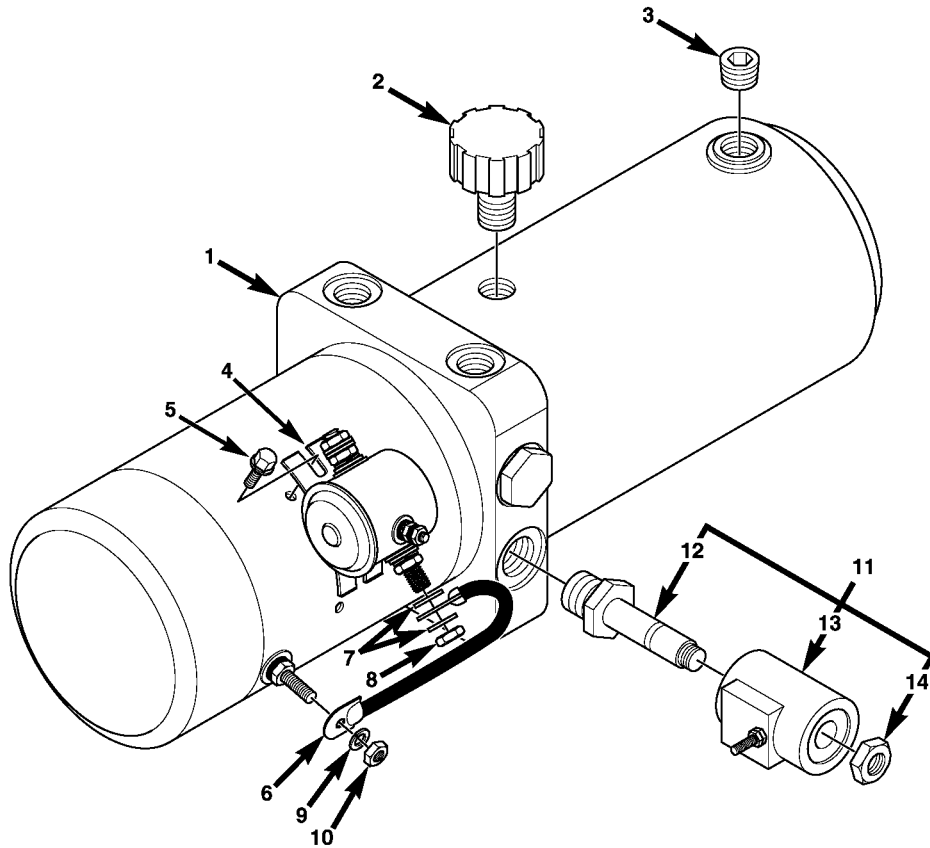
AR - As Required    NSS - Not Serviced Separately    ASN - After Serial No.    BSN - Before Serial No.    LP - Local Purchase



New Holland, PA 17557  
Phone (717) 354-8721 • FAX (717) 354-2162  
1-800-342-0905  
www.preseeder.com

# Preseeder tiller Model SS725 PARTS LIST

Figure 9. Angle Pump Assembly



# Preseeder tiller Model SS725 PARTS LIST



New Holland, PA 17557  
Phone (717) 354-8721 • FAX (717) 354-2162  
1-800-342-0905  
www.preseeder.com

Figure 9. Angle Pump Assembly

Item	Part No.	Qty.	Description
1	000-166-075	1	Pump Assembly, Angle, Includes Items 1 thru 14
2	000-166-076	1	Cap, Fill, Breather
3	000-166-077	1	Plug, Pipe, 3/8"
4	000-166-078	1	Solenoid Assembly, Starter, 12V
5	LP	2	Capscrew, Hex Head, Serrated Flange, 1/4"-20UNC x 1/4" Long
6	NSS	1	Cable
7	NSS	2	Washer, Internal Lock
8	NSS	1	Nut, Hex, Jam
9	NSS	1	Washer, Lock
10	NSS	1	Nut, Hex
11	000-166-079	1	Solenoid, Valve, 12V, Includes Items 12 thru 14
12	NSS	1	Stem
13	NSS	1	Body
14	NSS	1	Nut, Hex, Jam

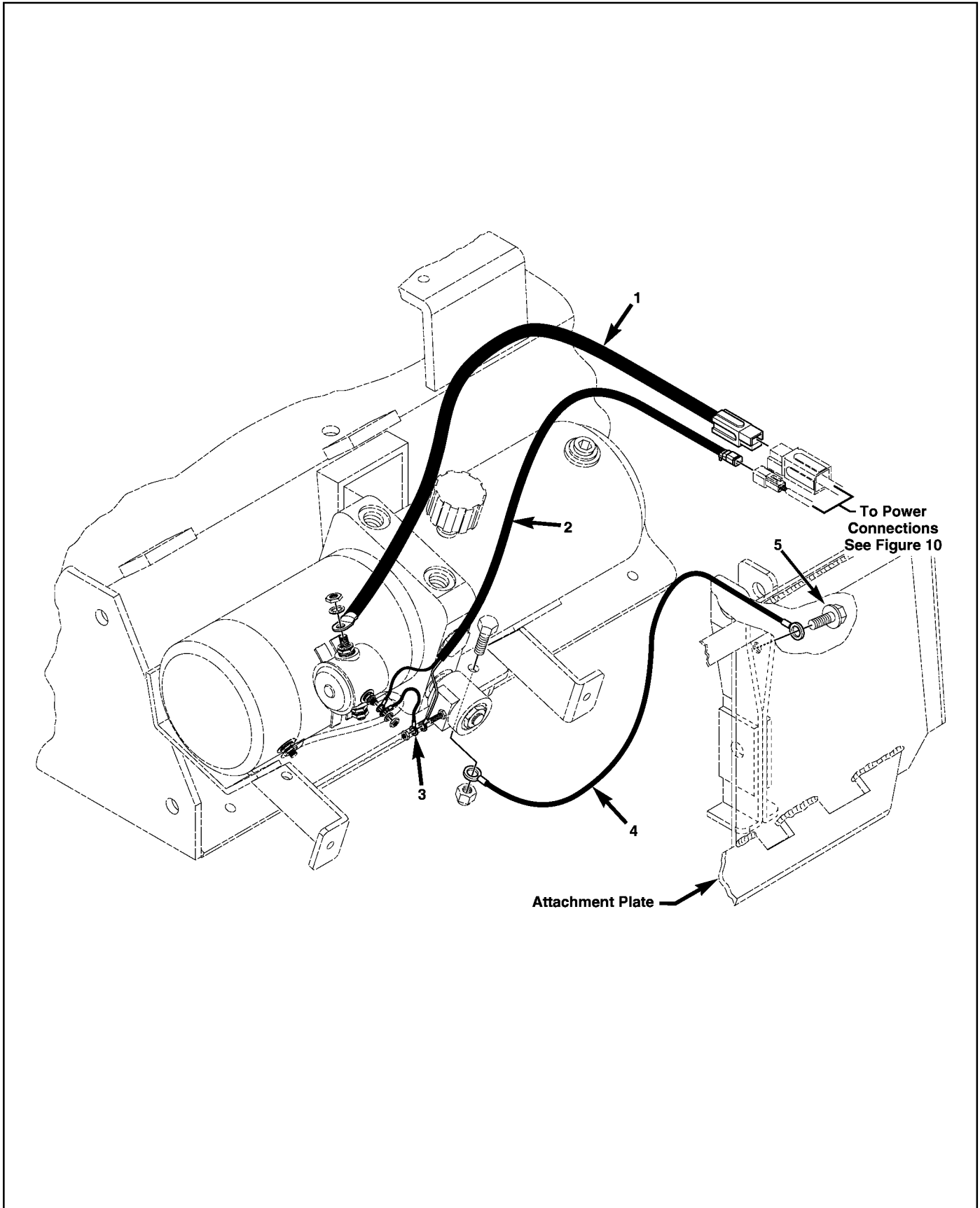
AR - As Required    NSS - Not Serviced Separately    ASN - After Serial No.    BSN - Before Serial No.    LP - Local Purchase



New Holland, PA 17557  
Phone (717) 354-8721 • FAX (717) 354-2162  
1-800-342-0905  
www.preseeder.com

# Preseeder tiller Model SS725 PARTS LIST

Figure 10. Electrical Connections (Angle Pump to Power Connections)



# Preseeder tiller Model SS725 PARTS LIST



New Holland, PA 17557  
 Phone (717) 354-8721 • FAX (717) 354-2162  
 1-800-342-0905  
 www.preseeder.com

**Figure 10. Electrical Connections (Angle Pump to Power Connections)**

Item	Part No.	Qty.	Description
1	200-271-000	1	Cable, Power, Solenoid
2	200-272-000	1	Cable, Solenoid, Starter
3	200-273-000	1	Wire, Jumper with Diode
4	200-274-000	1	Wire, Ground
5	LP	1	Capscrew, Hex Head, Serrated Flange, 5/16"-18UNC x 3/4" Long

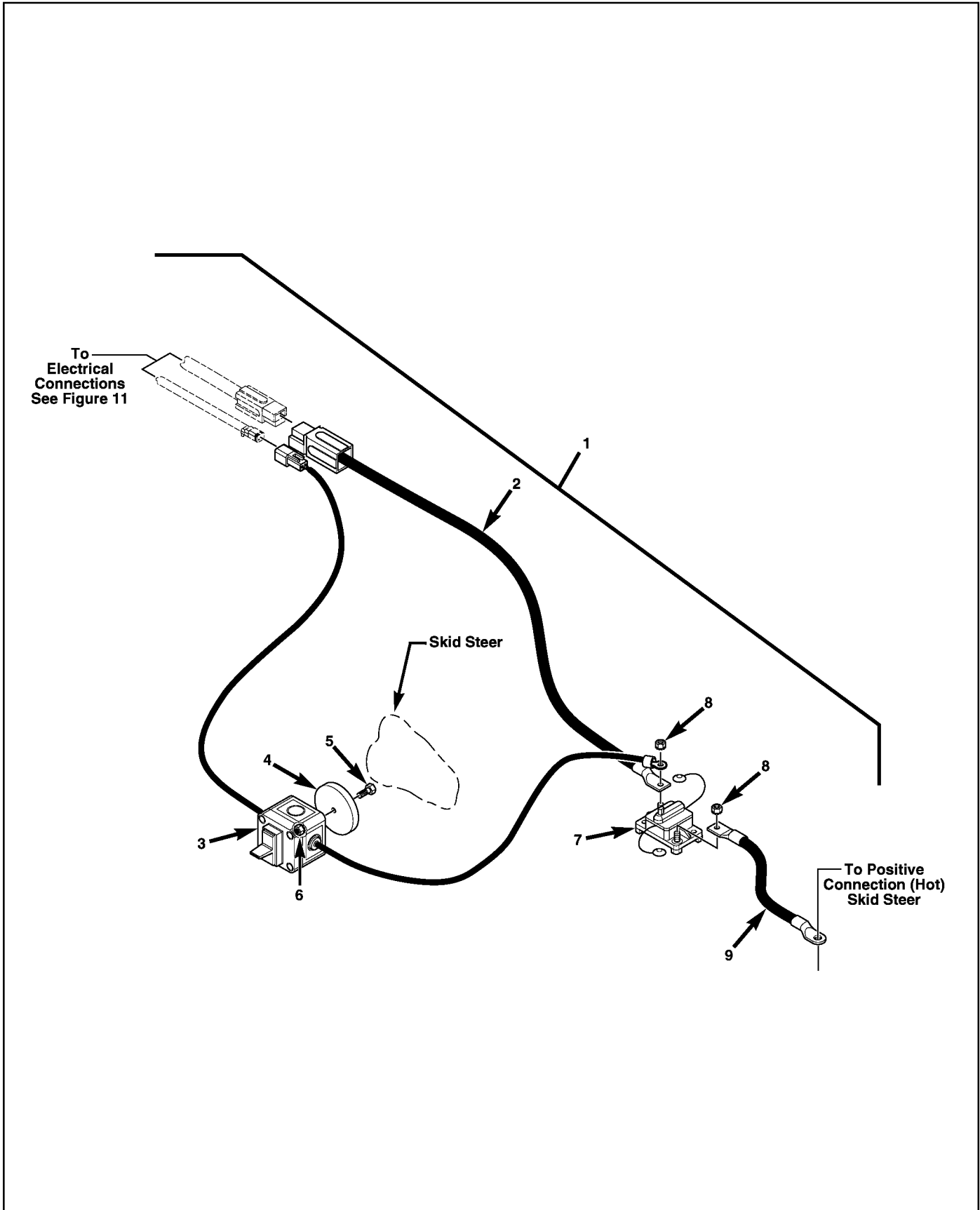
AR - As Required    NSS - Not Serviced Separately    ASN - After Serial No.    BSN - Before Serial No.    LP - Local Purchase



New Holland, PA 17557  
Phone (717) 354-8721 • FAX (717) 354-2162  
1-800-342-0905  
www.preseeder.com

# Preseeder tiller Model SS725 PARTS LIST

Figure 11. Power Connections (Electrical Connections to Skid Steer)



# Preseeder tiller Model SS725 PARTS LIST



New Holland, PA 17557  
Phone (717) 354-8721 • FAX (717) 354-2162  
1-800-342-0905  
www.preseeder.com

Figure 11. Power Connections (Electrical Connections to Skid Steer)

Item	Part No.	Qty.	Description
1	000-200-065	1	Kit, Cables, Power, Battery & Control Switch W/Circuit Breaker, Angle Pump, Includes Items 2 thru 8
2	000-200-063	1	Cable, Power, Circuit Breaker, Angle Pump
3	000-200-002	1	Wire Assembly, Control Switch, Angle Pump, Includes Items 4 thru 6
4	NSS	1	Magnet
5	NSS	1	Capscrew, Hex Head
6	NSS	1	Nut, Hex
7	000-200-001	1	Breaker, Circuit, Includes Item 8
8	NSS	2	Nut, Hex
9	000-200-064	1	Cable, Battery, Circuit Breaker, Angle Pump

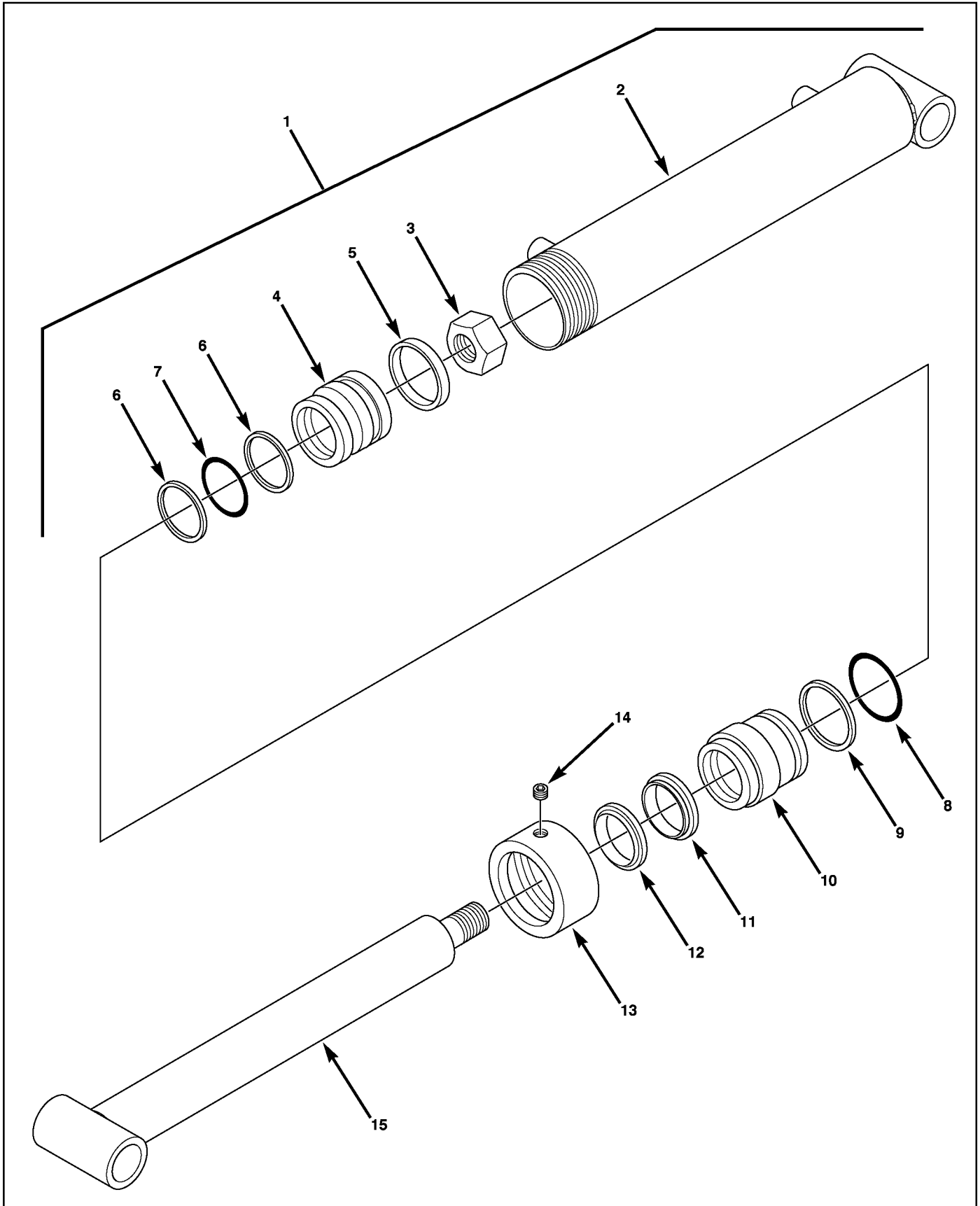
AR - As Required    NSS - Not Serviced Separately    ASN - After Serial No.    BSN - Before Serial No.    LP - Local Purchase



New Holland, PA 17557  
Phone (717) 354-8721 • FAX (717) 354-2162  
1-800-342-0905  
www.preseeder.com

# Preseeder tiller Model SS725 PARTS LIST

Figure 12. Cylinder Assembly (Angle)





# Preseeder tiller Model SS725 PARTS LIST



New Holland, PA 17557  
Phone (717) 354-8721 • FAX (717) 354-2162  
1-800-342-0905  
www.preseeder.com

Figure 12. Cylinder Assembly (Angle)

Item	Part No.	Qty.	Description
1	000-166-071	1	Cylinder Assembly, 2-1/4" Bore x 6" Stroke Includes Items 2 thru 15
2	000-166-209	1	Barrel Assembly
3	LP	1	Nut, Lock, 1/2"-20UNF
4	000-166-029	1	Piston
5	NSS	1	Uniring
6	NSS	2	Ring, Back Up
7	NSS	1	O-Ring
8	NSS	1	O-Ring
9	NSS	1	Ring, Back Up
10	000-166-030	1	Head, Cap, Threaded
11	NSS	1	U-Cup, Loaded
12	NSS	1	Wiper, Rod
13	000-166-031	1	Cap, Threaded
14	LP	1	Screw, Set, 1/4"-20UNC x 1/4" Long
15	000-166-334	1	Rod Assembly
	000-166-034	AR	Kit, Cylinder Repair Includes: Items 5 thru 9, 11 & 12

AR - As Required    NSS - Not Serviced Separately    ASN - After Serial No.    BSN - Before Serial No.    LP - Local Purchase



New Holland, PA 17557  
 Phone (717) 354-8721 • FAX (717) 354-2162  
 1-800-342-0905  
 www.preseeder.com

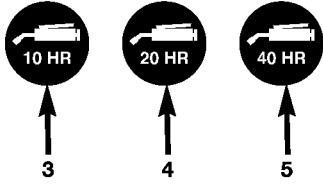
# Preseeder tiller Model SS725 PARTS LIST

Figure 13. Decals



**PRESEEDER<sup>®</sup>**  
**LANDSCAPING TILLER**

**SS725**



**WARNING**

Read and understand the Operator's Manual before attaching tiller or operating the unit.

When starting or operating tiller, keep all bystanders clear of machine; be alert for flying debris. (Max. PTO speed is 540 rpm)

Do not operate tiller if shields are not in place and secured.

Before servicing, cleaning or clearing debris:

- Position PTO control lever to "off".
- Shut down tractor engine.
- Wait for PTO and tiller rotation to stop.
- Lower tiller to ground or block securely.

Consult your tractor operator's manual for front/rear ballast (weight) requirements with tiller installed.

**DO NOT STAND OR RIDE ON TILLER.**

**WARNING**

**PINCH POINT HAZARD  
KEEP AWAY**

To prevent serious injury or death:

- Stop engine, set park brake, remove ignition key and wait for all moving parts to stop before adjusting.
- Keep hands, feet, hair and clothing away from moving parts.
- Keep others away.

SW203

**WARNING**

**HIGH-PRESSURE FLUID HAZARD**

To prevent serious injury or death:

- Relieve pressure on system before repairing or adjusting or disconnecting.
- Wear proper hand and eye protection when searching for leaks. Use wood or cardboard instead of hands.
- Keep all components in good repair.

SW700

MANUFACTURED BY **ATI CORPORATION** New Holland PA 17557

**MODEL**

**SERIAL**

**WARNING**

**AVOID INJURY FROM ROTATING TEETH**

Keep hands, feet, and clothing away.

# Preseeder tiller Model SS725 PARTS LIST



New Holland, PA 17557  
Phone (717) 354-8721 • FAX (717) 354-2162  
**1-800-342-0905**  
www.preseeder.com

Figure 13. Decals

Item	Part No.	Qty.	Description
	000-186-026	1	Kit: Decals, Includes Items 1 thru 9
1	000-186-005	1	Decal, Preseeder
2	000-186-025	1	Decal, SS725
3	000-186-030	2	Decal, Grease Point, 10 hr.
4	000-186-032	2	Decal, Grease Point, 20 hr.
5	000-186-033	1	Decal, Grease Point, 40 hr. BSN 1707
6	000-186-024	1	Decal, Warning (Read Manual)
7	000-186-013	2	Decal, Warning (Pinch Point)
8	000-186-041	1	Decal, Warning (High-Pressure)
9	000-186-014	2	Decal, Warning (Rotating Teeth)
10	000-186-035	1	Plate, Model and Serial Number, Adhesive Backed

AR - As Required    NSS - Not Serviced Separately    ASN - After Serial No.    BSN - Before Serial No.    LP - Local Purchase