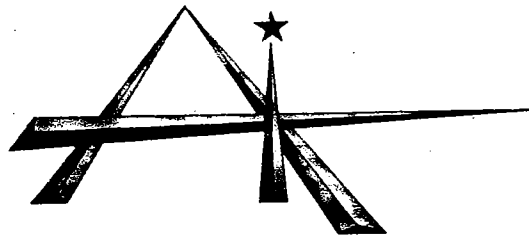


SERVICE PARTS MANUAL



BRADCO 9HD BACKHOE

American Trencher Inc.

Box 266
Delhi, Iowa 52223

(319) 922-2981

*Old Style
Water Seal #*

TABLE OF CONTENTS

PAGE NO.

BACKHOE ASSEMBLY

Mainframe	9HD-1
Mainframe	9HD-2
Console	9HD-3
Console	9HD-4
Console	9HD-5
Seat	9HD-6
Stabilizer	9HD-7
Swing Post	9HD-8
Boom	9HD-9
Boom	9HD-10
Dipper	9HD-11
Dipper	9HD-12

VALVE ASSEMBLY

Backhoe Valve Assembly	9HD-13
Backhoe Valve Assembly	9HD-14
Inlet Cover	9HD-15
Stabilizer Section	9HD-16
Dipper Section	9HD-17
Bucket Section	9HD-18
Boom Section	9HD-19
Swing Section	9HD-20
End Cover	9HD-21

CYLINDER ASSEMBLY

Swing Cylinder	9HD-22
Stabilizer Cylinder	9HD-23
Boom Cylinder	9HD-24
Dipper Cylinder	9HD-25
Bucket Cylinder	9HD-26

OPTIONAL EQUIPMENT

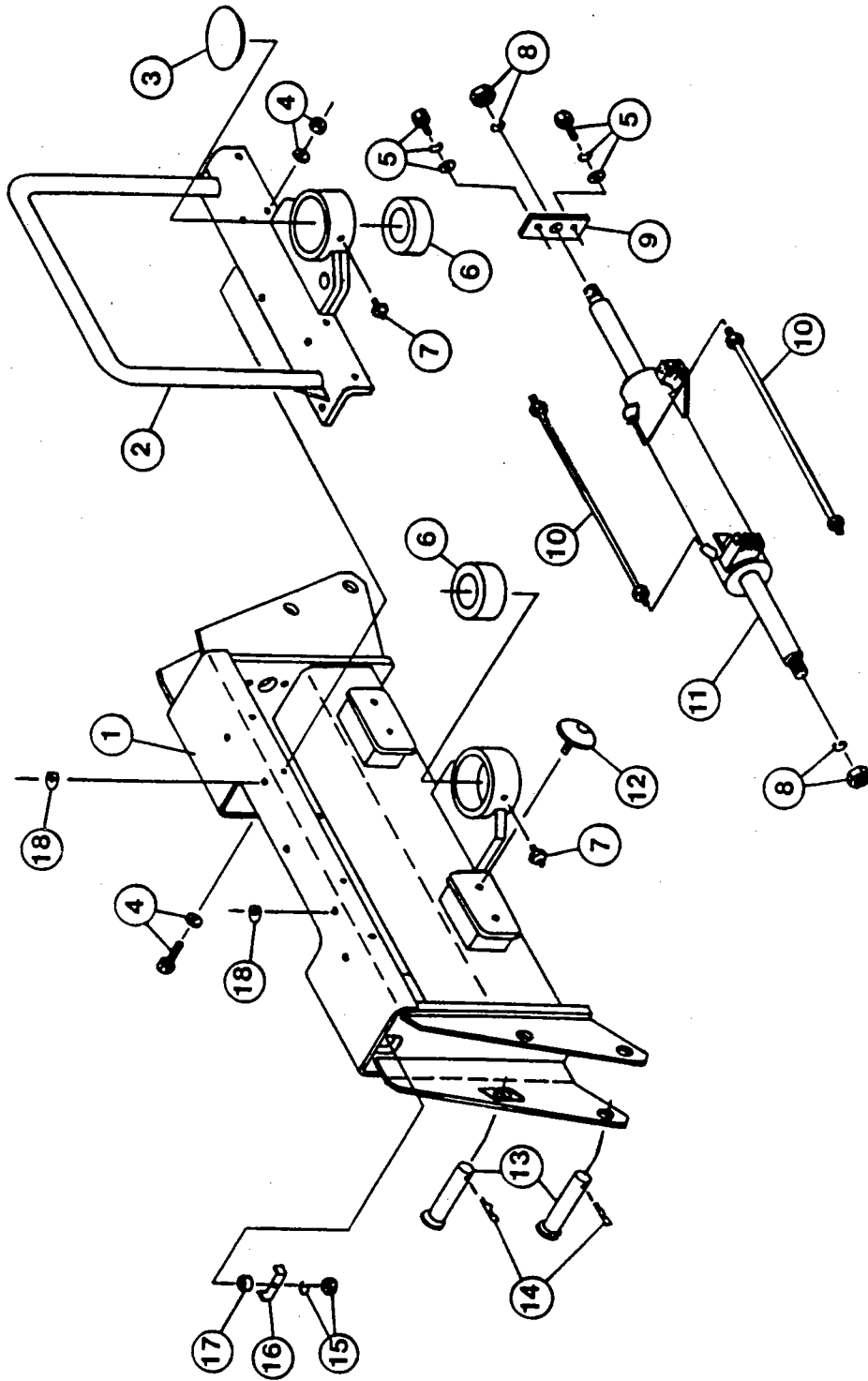
Buckets	9HD-27
---------	--------

3528

BACKHOE ASSEMBLY

9HD BACKHOE
MAINFRAME

3037-3430



BACKHOE ASSEMBLY

9HD BACKHOE MAINFRAME

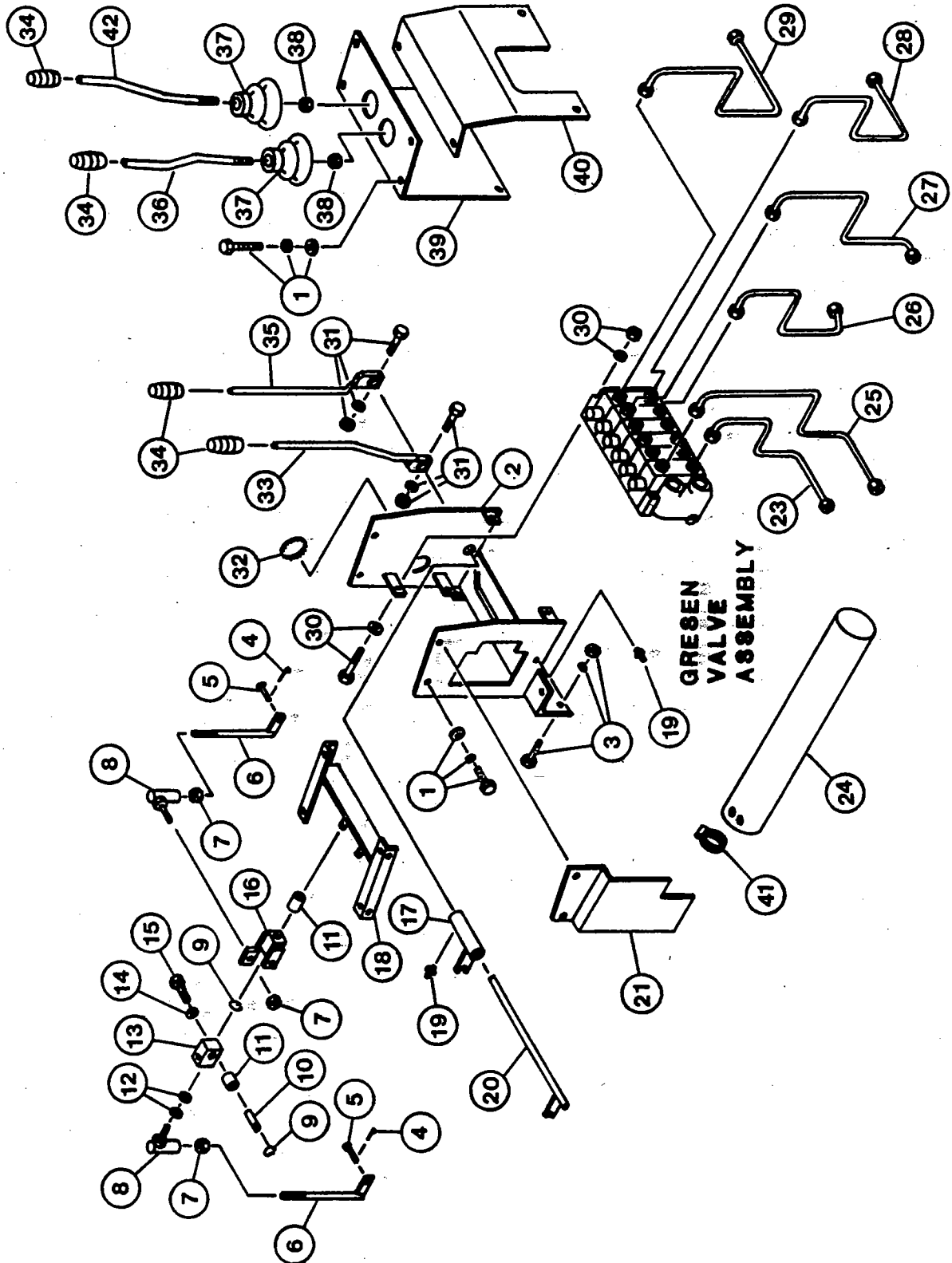
<u>NO.</u>	<u>REQ'D</u>	<u>PART NO.</u>	<u>DESCRIPTION</u>
1	1	53670	Mainframe
2	1	53260	Top Bearing Cartridge
3	1	9917	Bearing Cap
4	9	1115	.62 UNC X 1.75" Hex Capscrew
	16	1627	.62 A325 Hard Flat Washer
	9	1230	.62 UNC Hex Nut
5	2	1090	.50 UNC X 1.50" Hex Capscrew
	2	1505	.50 Lock Washer
	2	1527	.50 SAE Flat Washer
6	2	9950	Bearing
7	2	6616	Grease Zerk
8	2	1904	1.00" - 14 UNS Nut
	2	1509	1.00" Lock Washer
9	1	6252	Cylinder Mtg. Plate
10	2	35121	Hose, .25 X 24.00", SAE 100R2, 2-Wire, 4MP - 6MJ
11	1	64892	Swing Cylinder Assembly
12	4	6886	Rubber Bumper
13	4	53662	Pin 1.25 Ø
14	4	1613	Cotter Pin .25 X 2.00"
15	2	1226	.38 UNC Hex Nut
	2	1503	.38 Lock Washer
16	2	6186	Clamp
17	2	6799	Hose Support .31 Long
18	2	54517	Special Washer (Used With Vertical Console)

3038-3431

1-28-93-2

BACKHOE ASSEMBLY

9HD BACKHOE CONSOLE



BACKHOE ASSEMBLY

9HD BACKHOE CONSOLE

3040-3433

<u>NO.</u>	<u>REQ'D</u>	<u>PART NO.</u>	<u>DESCRIPTION</u>
1	12	1021	.31 UNC X 75.00" Hex Capscrew
	12	1502	.31 Lock Washer
	12	1513	.31 Flat Washer
2	1	54500	Console Wm't
3	4	1045	.38 UNC X 1.50" Hex Capscrew
	4	1503	.38 Lock Washer
	4	1226	.38 UNC Hex Nut
4	6	1659	Cotter Pin 1/16 X 3/4
5	6	6776	Clevis Pin
6	4	54314	Push Rod
7	6	1492	.50 UNF Hex Jam Nut
8	4	54099	.50 Ball Joint
9	4	6274	Snap Ring
10	2	6271	Pivot Pin
11	4	6961	Bushing
12	4	1527	.50 SAE Flat Washer
13	2	54310	Pivot Block
14	2	1525	.38 SAE Flat Washer
	2	1292	.38 UNF X 75.00" Hex Capscrew
16	2	54311	Pivot Wm't
17	1	54317	Linkage Pivot Wm't
18	1	54313	Control Bracket
19	2	6616	.25 Grease Zerk
20	1	54320	Linkage Wm't
21	1	57501	Cover Valve End
23	1	54528	Tube, Hydraulic - Outrigger - Bottom
24	1	34004	Hose Sock 4.00 OD X 28.00"
25	1	54527	Tube, Hydraulic - Outrigger - Top
26	1	54526	Tube, Hydraulic - Swing - Bottom
27	1	54868	Tube, Hydraulic - Swing - Top
28	1	54529	Tube, Hydraulic - Outrigger - Bottom
29	1	54530	Tube, Hydraulic - Outrigger - Top
30	3	1030	.31 UNC X 3.00" Hex Capscrew
	3	1502	.31 Lock Washer
	3	1513	.31 Flat Washer
	3	1225	.31 UNC Hex Nut

BACKHOE ASSEMBLY

9HD BACKHOE
CONSOLE (CONT.)

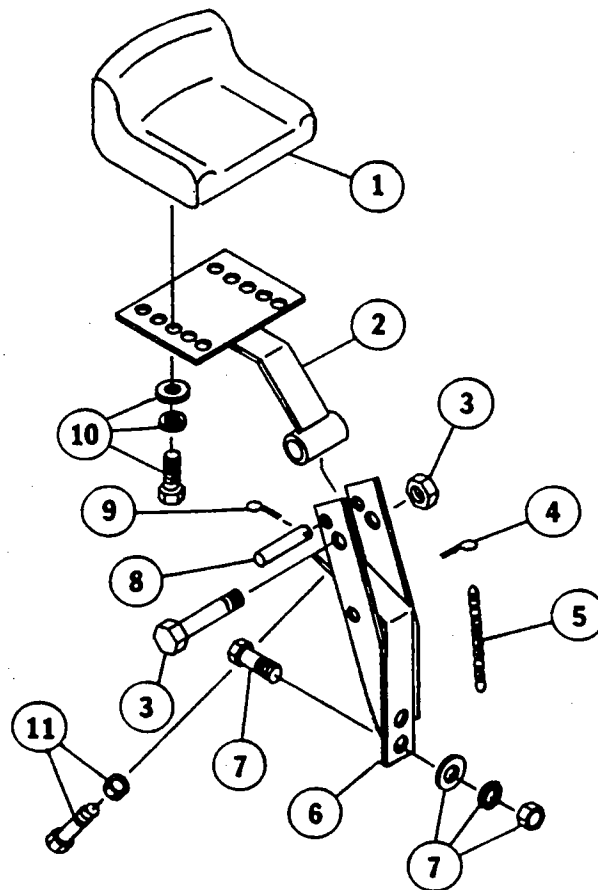
<u>NO.</u>	<u>REQ'D</u>	<u>PART NO.</u>	<u>DESCRIPTION</u>
31	2	1025	.31 UNC X 1.75" Hex Capscrew
	2	1502	.31 Lock Washer
	2	1225	.31 UNC Hex Nut
32	1	7096	Button Plug
33	1	54305	Outrigger Control Handle - Right
34	4	5655	Handle Grip
35	1	54304	Outrigger Control Handle - Left
36	1	61162	Control Lever - Right
37	2	9010	Control Handle Bolt
38	2	1244	.62 UNC Hex Jam Nut
39	1	54519	Control Console Cover - Back
40	1	54518	Control Console Cover - Front
41	1	53167	Hose Clamp
42	1	61161	Control Lever - Left

071-3434

BACKHOE ASSEMBLY

9HD BACKHOE
SEAT

3063-3435

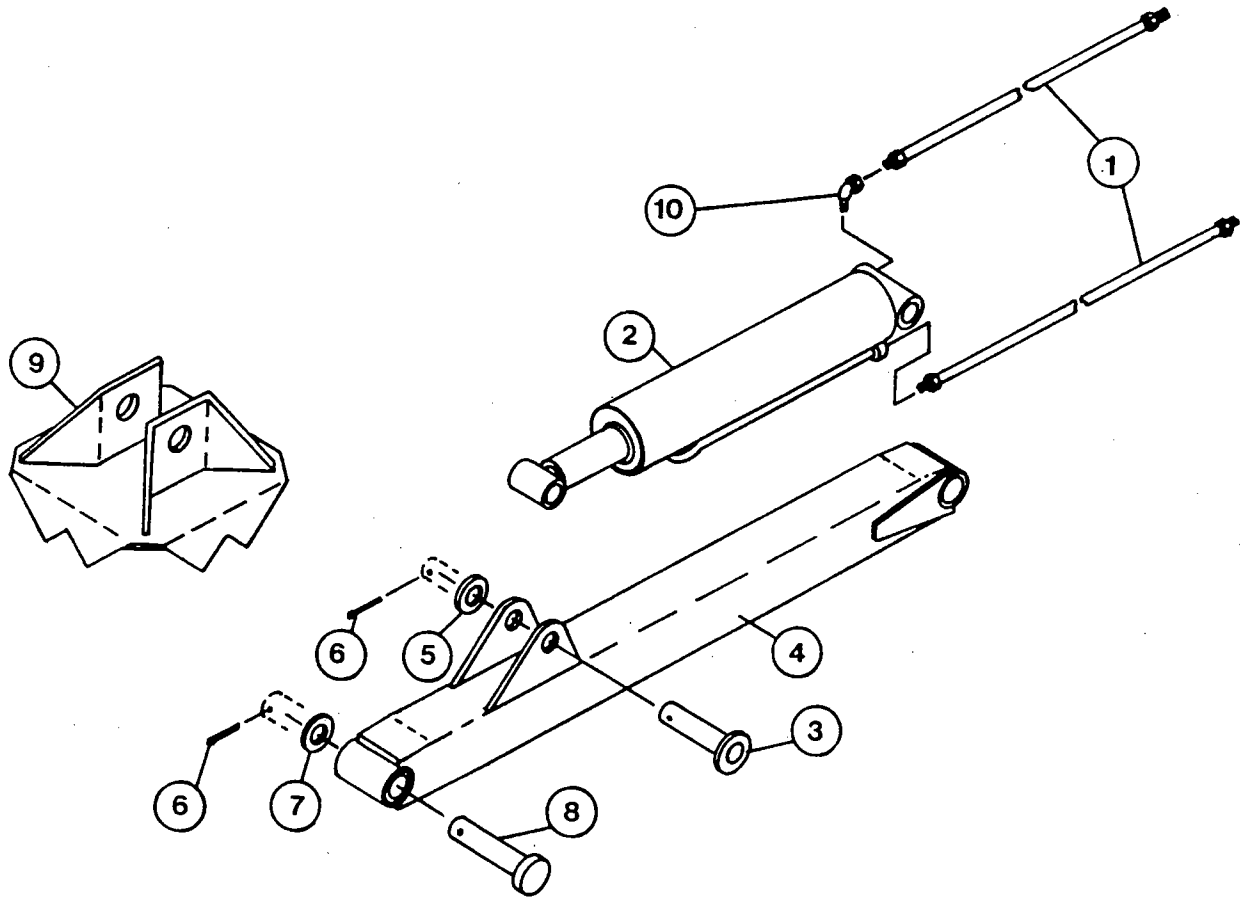


<u>NO.</u>	<u>REQ'D</u>	<u>PART NO.</u>	<u>DESCRIPTION</u>
1	1	6980	Seat
2	1	6979	Seat Pivot
3	1	1147	.75 UNC X 4.00" Hex Capscrew
	1	1534	.75 UNC Lock Nut
4	1	1611	Cotter Pin
5	1	52712	Chain
6	1	9977	Seat Mounting Bracket
7	2	1090	.50 UNC X 1.50" Hex Capscrew
	2	1505	.50 Lock Washer
	2	1228	.50 UNC Nut
8	1	52713	Seat Lock Pin
9	1	1659	Cotter Pin
10	4	1021	.31 UNC X .75" Hex Capscrew
	4	1502	.31 Lock Washer
	4	1513	.31 Flat Washer
11	1	1242	.50 UNC Jam Nut
	1	1090	.50 UNC X 1.50" Hex Capscrew

BACKHOE ASSEMBLY

9HD BACKHOE
STABILIZERS

3046-3436

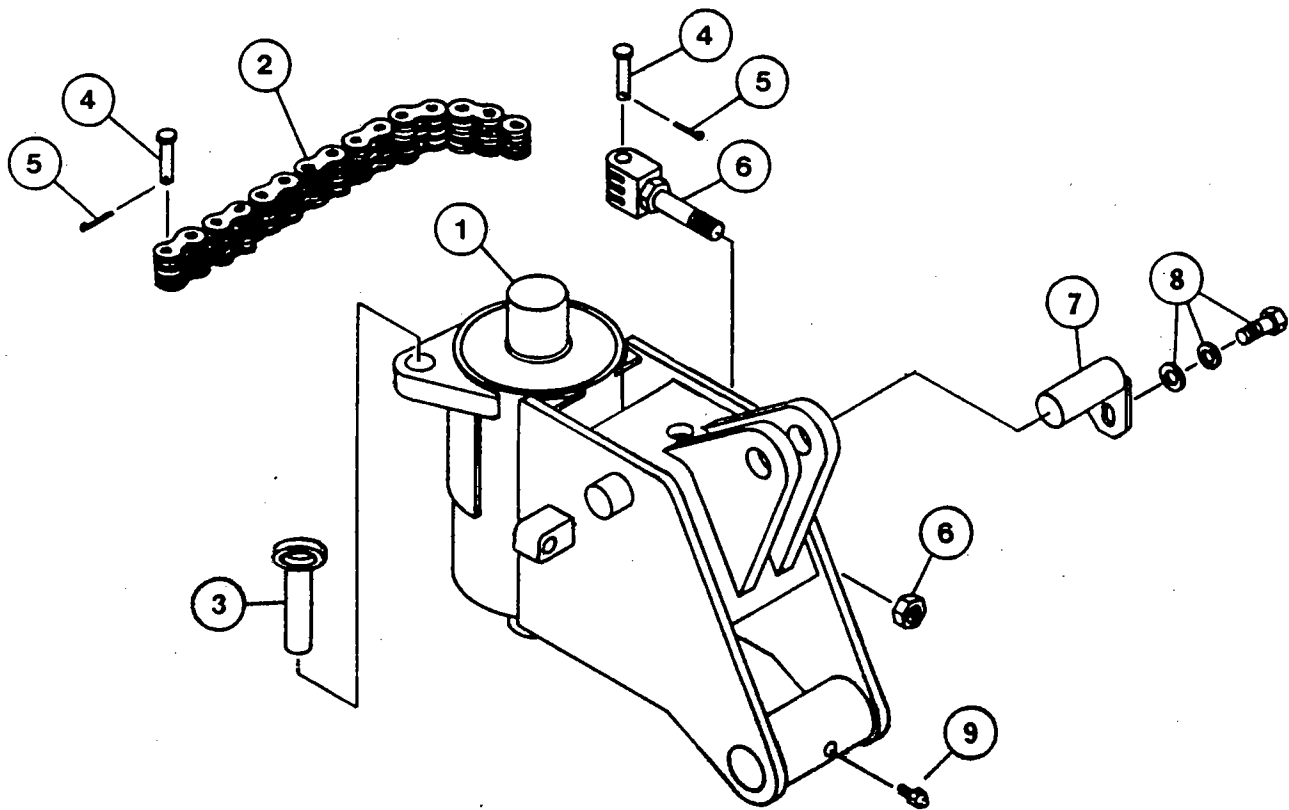


<u>NO.</u>	<u>REQ'D</u>	<u>PART NO.</u>	<u>DESCRIPTION</u>
1	4	35121	Hose, .25 X 24.00", SAE 100R2, 2-Wire, 4MP - 6MJ
2	2	64886	Stabilizer Cylinder
3	2	5727	Stabilizer Pin
4	2	53657	Stabilizer Arm 32.50"
5	2	1520	Flat Washer 1.25 ID
6	4	1613	Cotter Pin .25 X 2.00"
7	2	1532	Flat Washer 1.25 ID
8	2	7057	Pin 1.25 X 4.75"
9	2	6421	Stabilizer Pad
10	2	3118	45° Elbow

BACKHOE ASSEMBLY

9HD BACKHOE
SWING POST

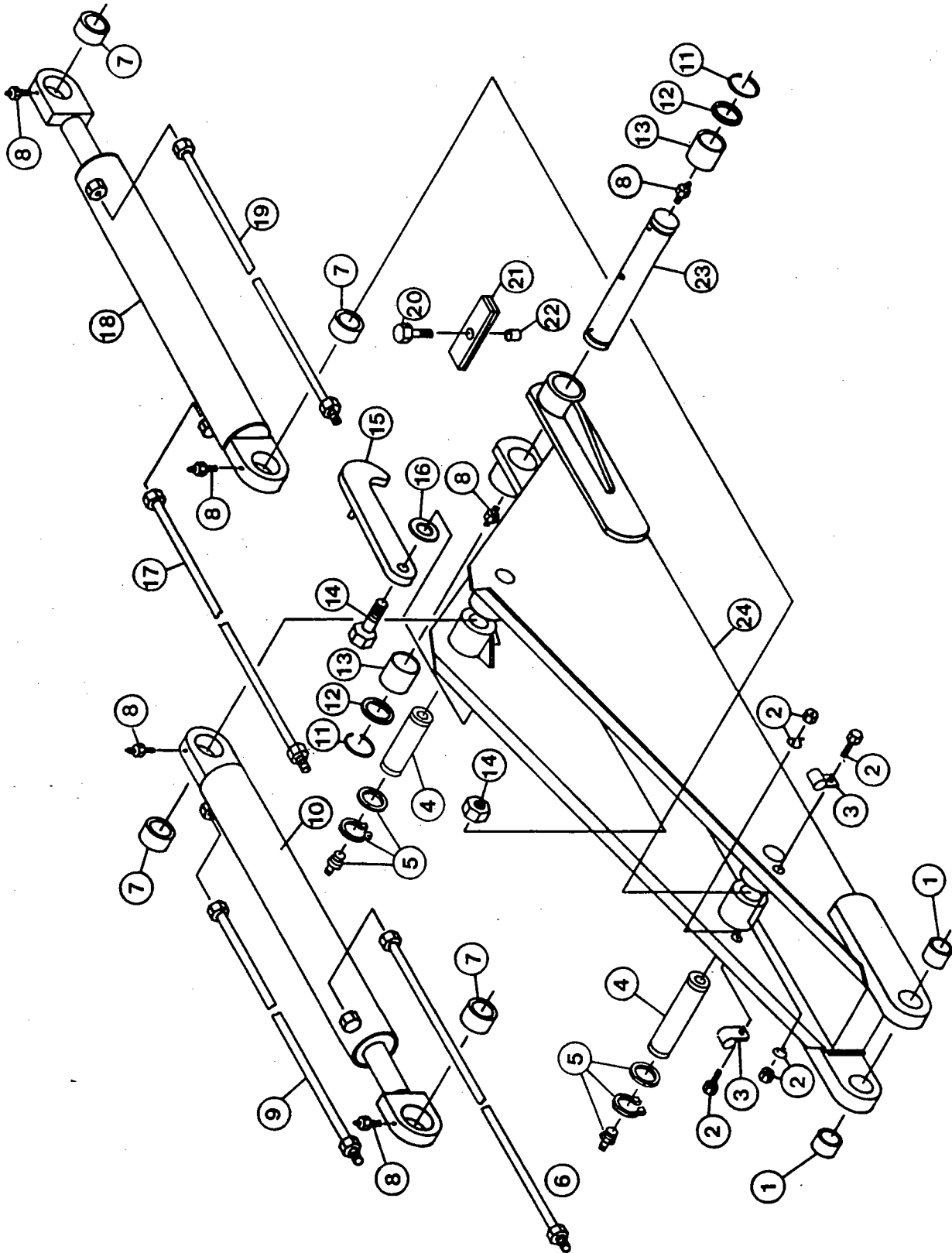
3045-3437



<u>NO.</u>	<u>REQ'D</u>	<u>PART NO.</u>	<u>DESCRIPTION</u>
1	1	61113	Swing Pivot
2	2	6959	Swing Chain
3	1	6965	Anti-Swing Pin
4	4	6960	Swing Chain Pin
5	4	1611	Cotter Pin
6	2	61114	Bolt
	2	1739	.88 UNC Lock Nut
7	1	9757	Cylinder Pin
8	1	1089	.50 UNC X 1.25" Hex Capscrew
	1	1505	.50 Lock Washer
	1	1527	.50 Flat Washer SAE
9	1	6616	Grease Zerker

BACKHOE ASSEMBLY

9HD BACKHOE
BOOM



041-3438

BACKHOE ASSEMBLY

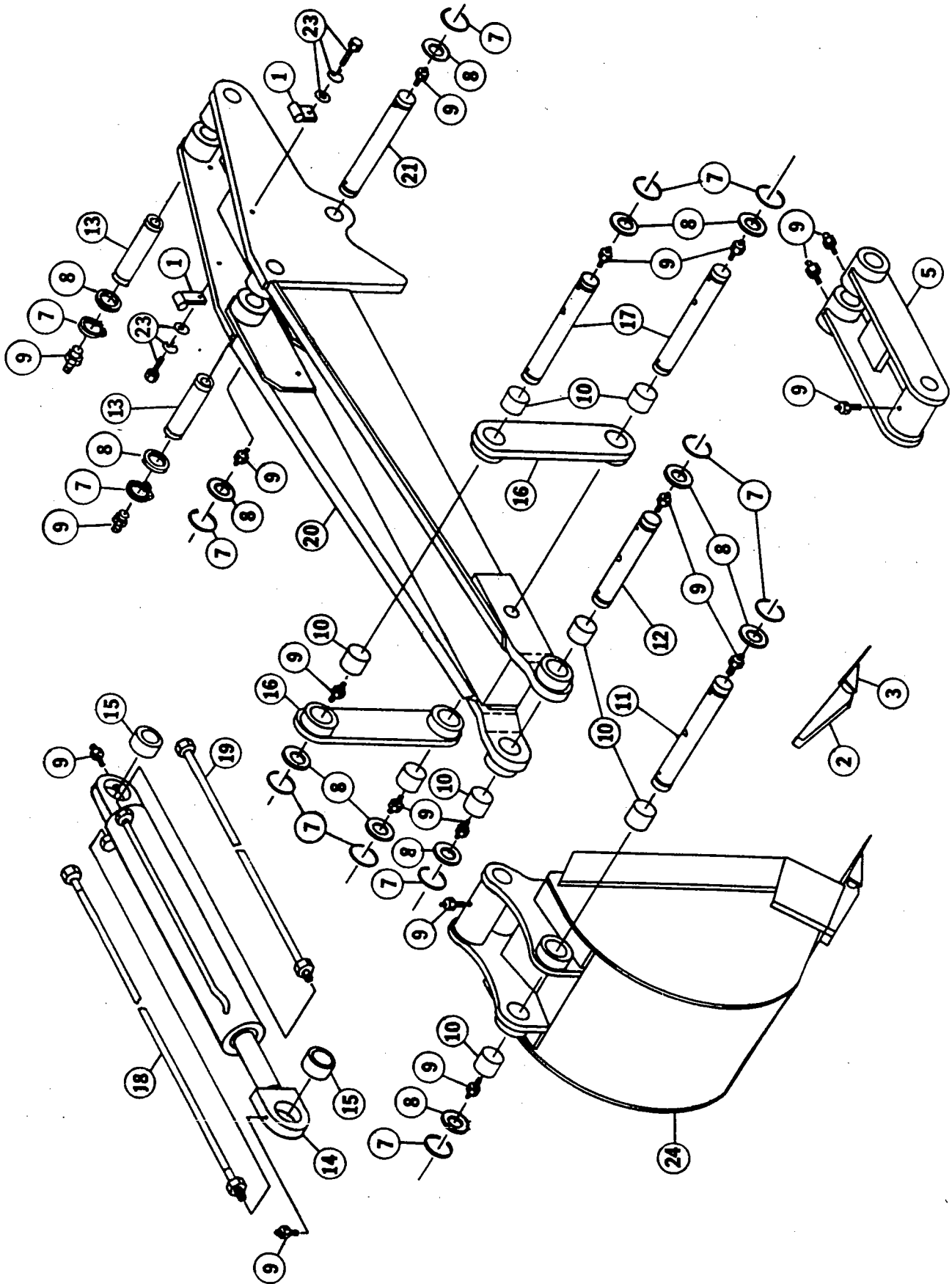
9HD BACKHOE BOOM

3042-3439

<u>NO.</u>	<u>REQ'D</u>	<u>PART NO.</u>	<u>DESCRIPTION</u>
1	2	6355	Bushing
2	2	1003	.25 UNC X 1.00" Hex Capscrew
	2	1512	.25 SAE Flat Washer
	2	1501	.25 Lock Washer
	2	1224	.25 UNC Nut
3	2	54900	Hose Tie
4	2	58053	Pin
5	4	6623	Thrust Washer
	4	1650	Snap Ring
	4	6616	Grease Zerk
6	1	35500	Hose, .38 X 77", SAE 100R2, 2-Wire, 6MP - 6FJX
7	4	6615	Cylinder Bushing
8	6	6616	Grease Zerk
9	1	35505	Hose, .38 X 78", SAE 100R2, 2-Wire, 6MP - 8FJX
10	1	55906	Dipper Cylinder
11	2	1651	Retaining Ring
12	2	6622	Thrust Washer
13	2	6356	Bushing (1.75) ID
14	1	1139	.75 UNC X 2.00" Hex Capscrew
	1	1534	.75 UNC Lock Nut
15	1	6938	Boom Safety Hook
16	1	6562	Spring Washer
17	1	35501	Hose, .38 X 71", SAE 100R2, 2-Wire, 6MP - 6FJX
18	1	64884	Boom Cylinder
19	1	35504	Hose, .38 X 72", SAE 100R2, 2-Wire, 6MP - 8FJX
20	2	1046	.38 UNC X 1.75" Hex Capscrew
21	2	6380	Hose Clamp
22	2	6798	Spacer
23	1	6900	Lower Boom Pivot Pin
24	1	9638	Boom (Includes (2) #6356 Bushing & (2) #6355 Bushing)

BACKHOE ASSEMBLY

9HD BACKHOE
DIPPER



3044-3440

BACKHOE ASSEMBLY

**9HD BACKHOE
DIPPER**

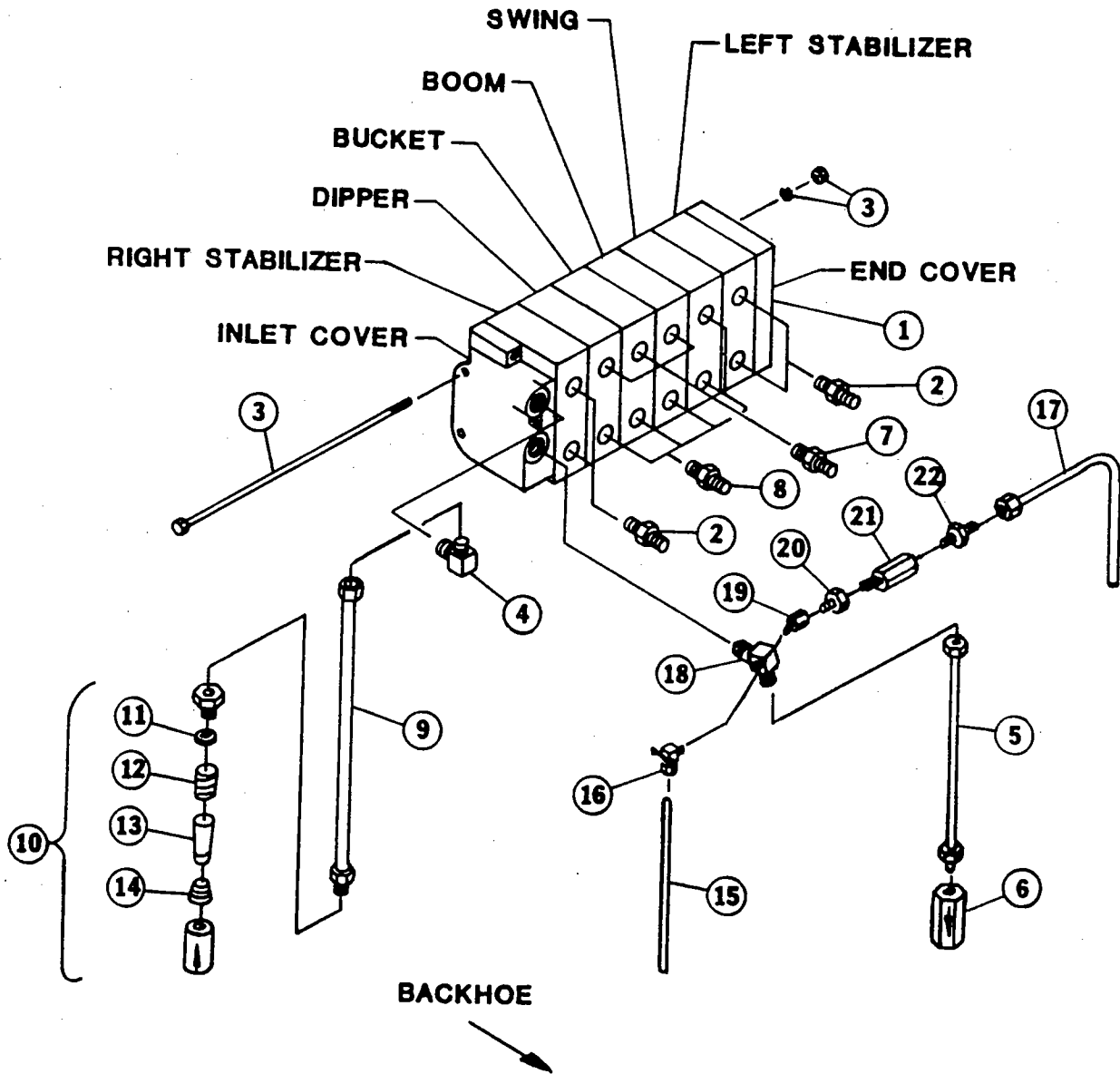
<u>NO.</u>	<u>REQ'D</u>	<u>PART NO.</u>	<u>DESCRIPTION</u>
1	2	6621	Hose Clip
2	VARIED	55090	Tooth Shank
3	VARIED	55088	Bucket Tooth
5	1	6930	Bucket Link
6	20	6616	Grease Zerk
7	14	1650	Snap Ring
8	14	6623	Thrust Washer
10	8	6355	Bushing (1.38") ID
11	1	6897	Bucket Link Pin
12	1	6375	Dipper To Bucket Pin
13	2	61234	Pin
14	1	61380	Bucket Cylinder
15	2	6615	Cylinder Bushing
16	2	6912	Dipper Link (Includes (2) #6355 Bushing)
17	2	6896	Dipper Link Pin
18	1	35503	Bucket Cylinder Hose, .38 X 119.00", SAE 100R2, 2-Wire, 6MPX - 8FJX
19	1	35502	Bucket Cylinder Hose, .38 X 119.00", SAE 100R2, 2-Wire, 6MPX - 6FJX
20	1	9644	Dipper (Includes (2) #6355 Bushing)
21	1	6899	Boom To Dipper Pin
23	2	1005	.25 UNC X 1.50" Hex Capscrew
	2	1501	.25 Lock Washer
	2	1224	.25 UNC Nut
	2	1512	.25 Flat Washer
24	1	----	Standard Heavy Duty Bucket Shown. Refer To The "Bucket Options" Page Of This Section.

3043-3441

VALVE ASSEMBLY

9HD BACKHOE
VALVE #2105
GRESEN

3084-3442



VALVE ASSEMBLY

9HD BACKHOE
VALVE #2105
GRESEN

<u>No.</u>	<u>REQ'D</u>	<u>Part No.</u>	<u>Description</u>
1	1	54332	Gresen 6 Spool Valve
2	4	3269	O-Ring Boss Adapter, 8MBO - 6MJ
3	3	4726	Tie Rod Assembly
4	1	30068	90° O-Ring Adapter
5	1	35281	Hose, .50 X 28.00", SAE 100R2, 2-Wire, 8MP - 8FJX
6	1	45137	.50 Check Valve
7	3	3270	O-Ring Boss Adapter, 10MBO - 8MJ
8	5	3362	O-Ring Boss Adapter, 10MBO - 6MJ
9	1	35287	Hose, .50 X 36.00", SAE 100R2, 2-Wire, 8MP - 8FJX
10	1	45132	In-Line Filter (Includes Parts 11 Thru 14)
11	1	45095	Seal
12	1	45135	Support Spring
13	1	45133	25 Micron Filter
14	1	45094	Spring
15	1	35110	Hose (.25 OD X 20.00" Long)
16	1	3360	Needle Valve
17	1	57515	Hydraulic Tube
18	1	79575	Special Fitting
19	1	3393	45° Street Elbow, 4MP - 4FP
20	1	3394	Pipe Expander, 4MP - 6FP
21	1	57547	Relief Valve, .38 NPT
22	1	3138	Male Connector, 6MP - 6MJ

3085-3443

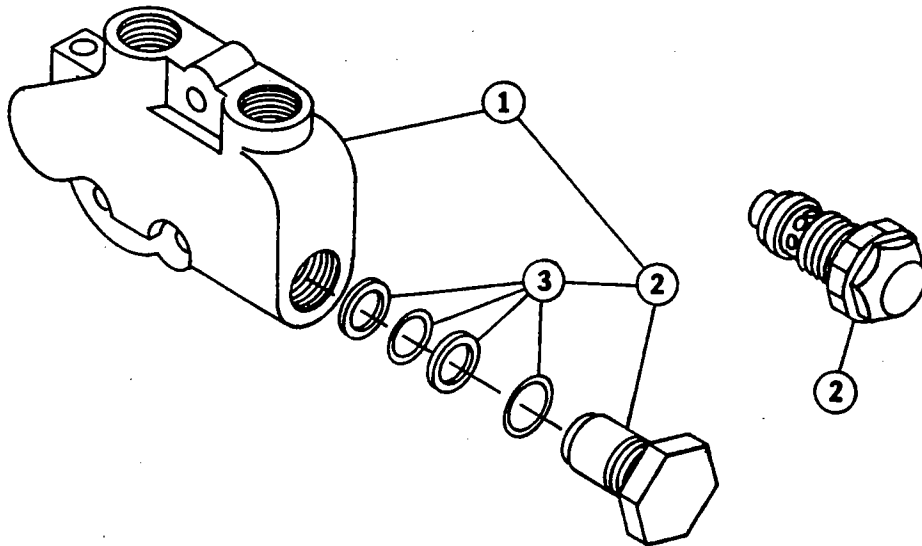
8-9-93-2

VALVE ASSEMBLY

INLET COVER
 ASSEMBLY #4710
 GRESEN

3070-3444

8-9-93-2



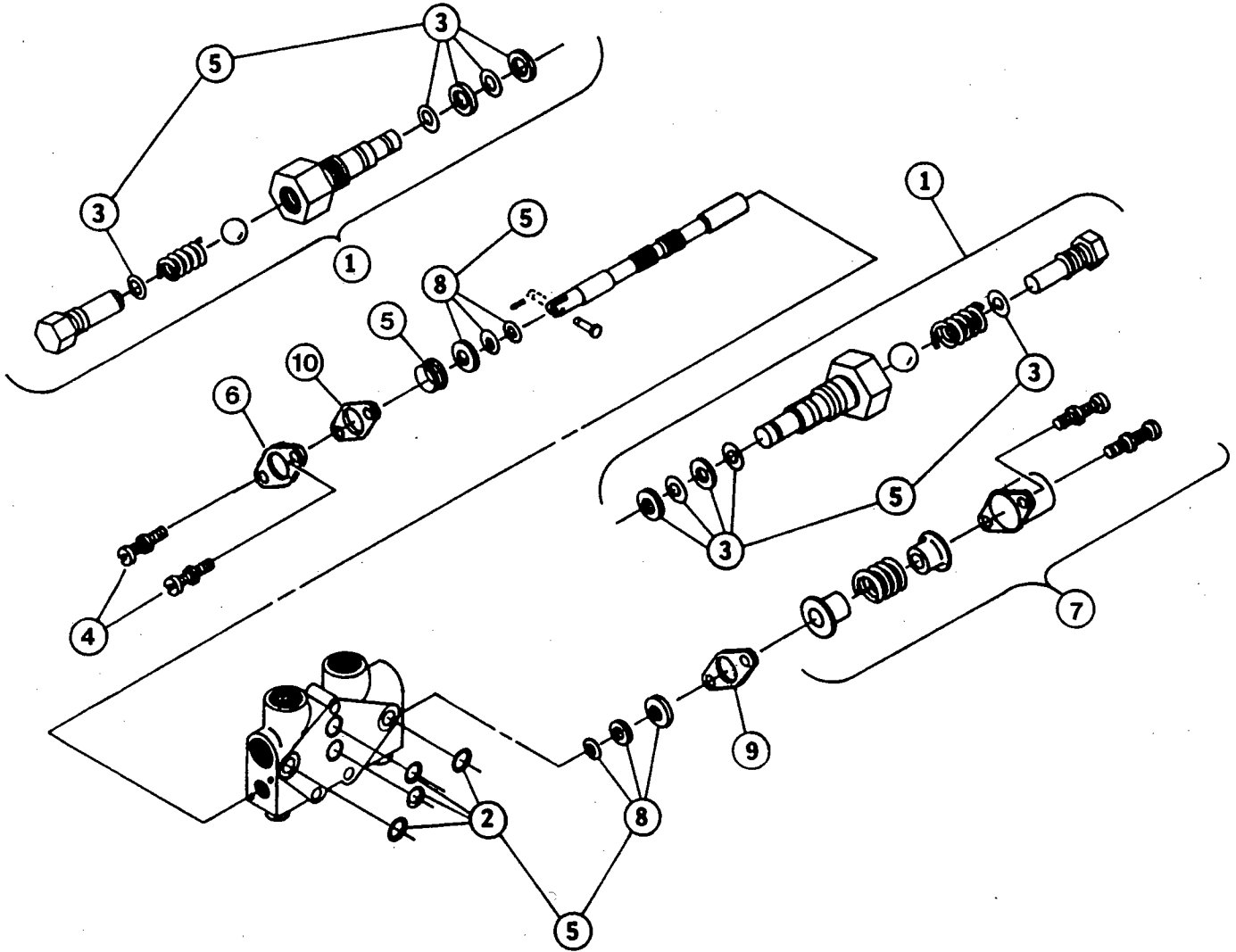
<u>NO</u>	<u>REQ'D</u>	<u>PART NO.</u>	<u>DESCRIPTION</u>
1	1	4710	Inlet Cover (#10 Ports)
2	1	45414	Non-Relief Plug Assembly Model V20
3	1	45148*	Main Relief Valve (Optional)
	1	45142	Seal Kit Model V20

* PLEASE STATE BACKHOE MODEL NUMBER WHEN ORDERING MAIN RELIEF VALVE ASSEMBLY.

VALVE ASSEMBLY

STABILIZER SECTION
 ASSEMBLY #4704
 GRESEN

1640-3445

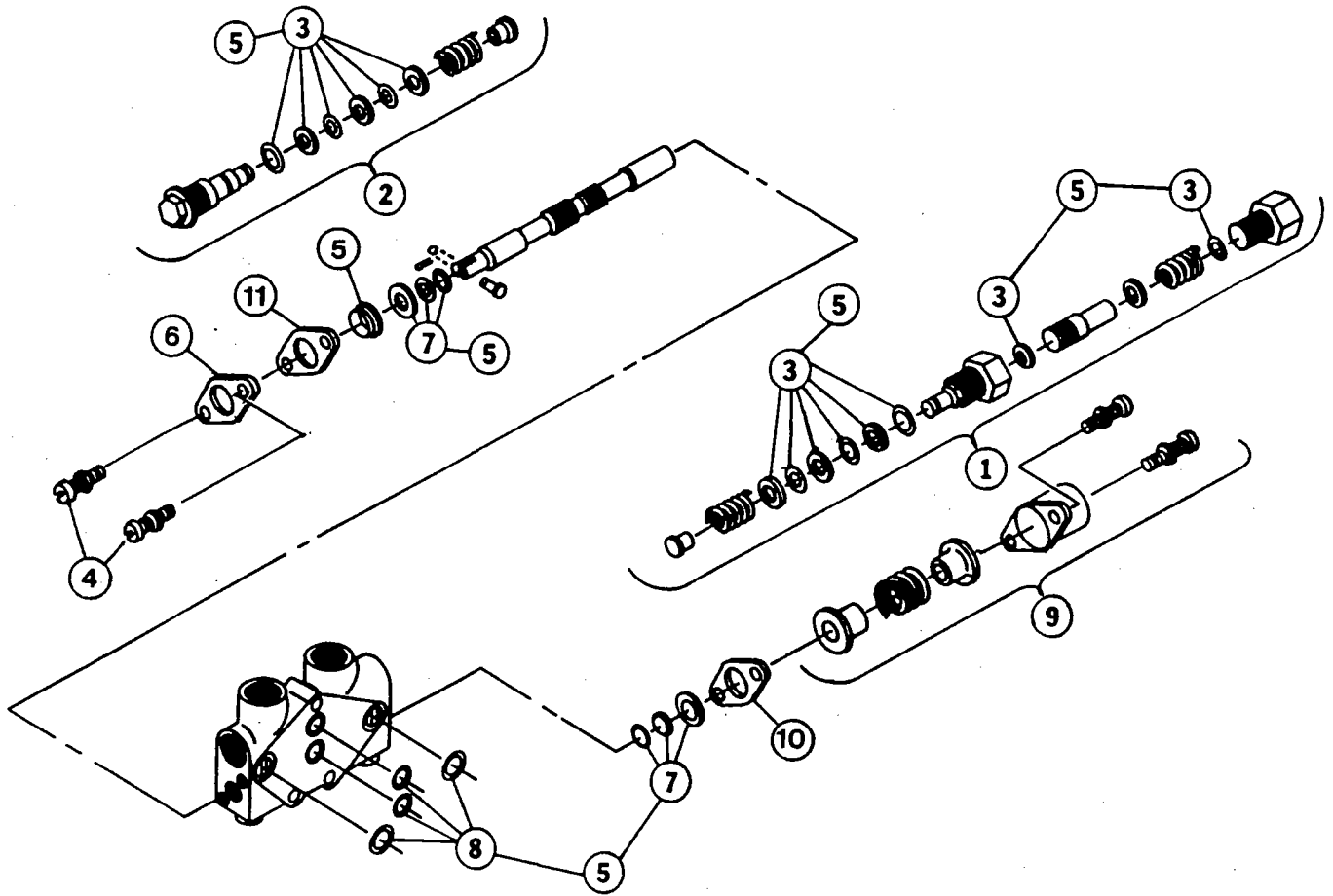


<u>NO.</u>	<u>REQ'D</u>	<u>PART NO.</u>	<u>DESCRIPTION</u>
1	2	4819	Pilot Check Assembly
2	1	4653	Seal Kit
3	2	4829	Seal Kit
4	2	4658	.25 - 20 UNC X .75 Fillester Head Capscrew
5	1	45102	Seal Kit Complete Section
6	1	54631	Retainter
7	1	45282	Spring Center Cover Assembly
8	2	4688	Seal Kit
9	1	45287	Retainer Plate
10	1	45288	Seal Plate

VALVE ASSEMBLY

DIPPER SECTION
 ASSEMBLY #4687
 GRESEN

1636-3446

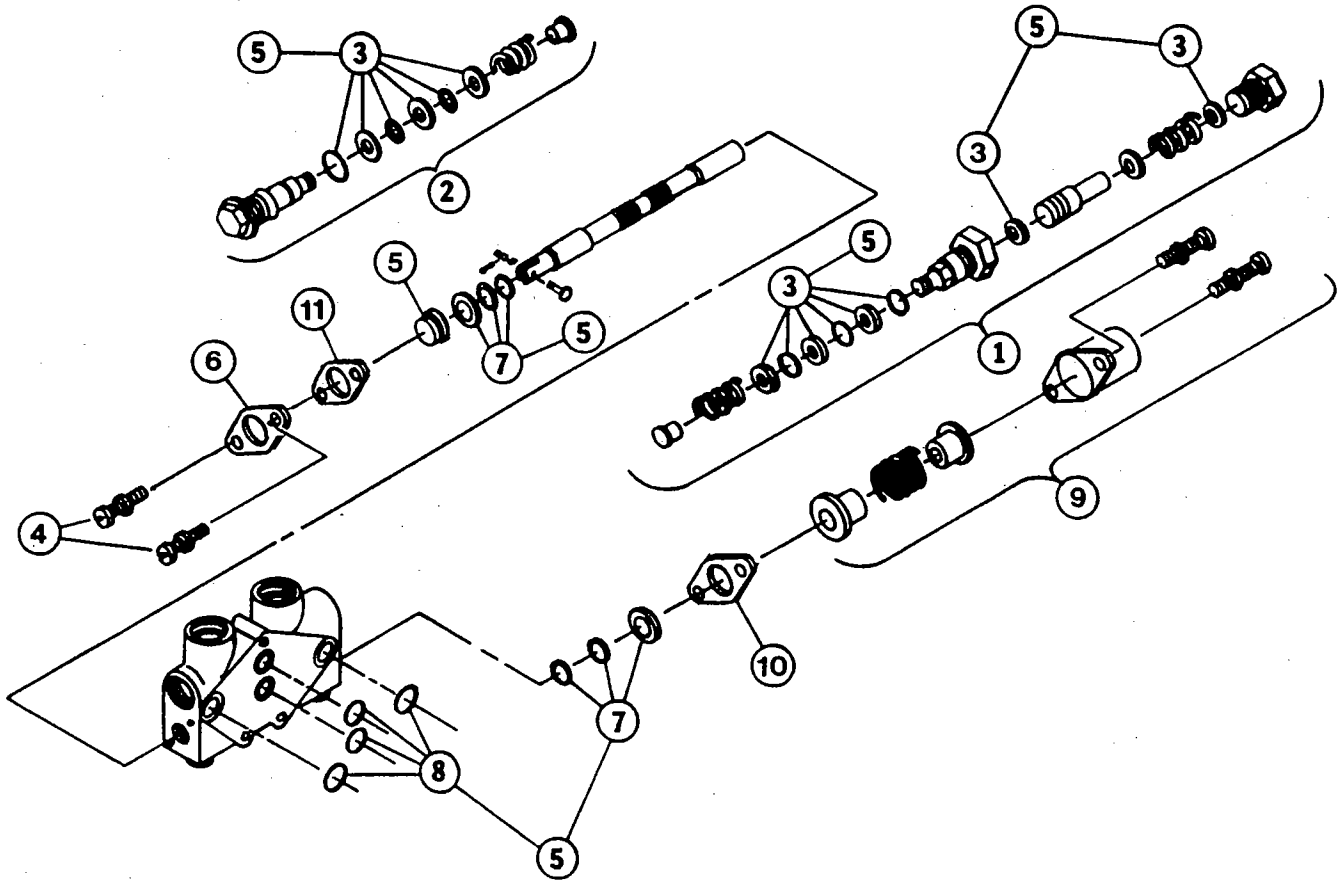


<u>NO.</u>	<u>REQ'D</u>	<u>PART NO.</u>	<u>DESCRIPTION</u>
1	1	4665	Port Relief Cartridge
2	1	4673	Port Check Valve
3	2	4666	Seal Kit
4	2	4658	.25 - 20 UNC X .75 Fillester
5	1	45103	Head Capscrew
6	1	54631	Seal Kit Complete Section
7	2	4688	Retainer
8	1	4653	Seal Kit
9	1	45282	Seal Kit
10	1	45287	Spring Center Cover Assembly
11	1	45288	Retainer Plate
			Seal Plate

VALVE ASSEMBLY

BUCKET SECTION
 ASSEMBLY #45104
 GRESEN

1638-3447

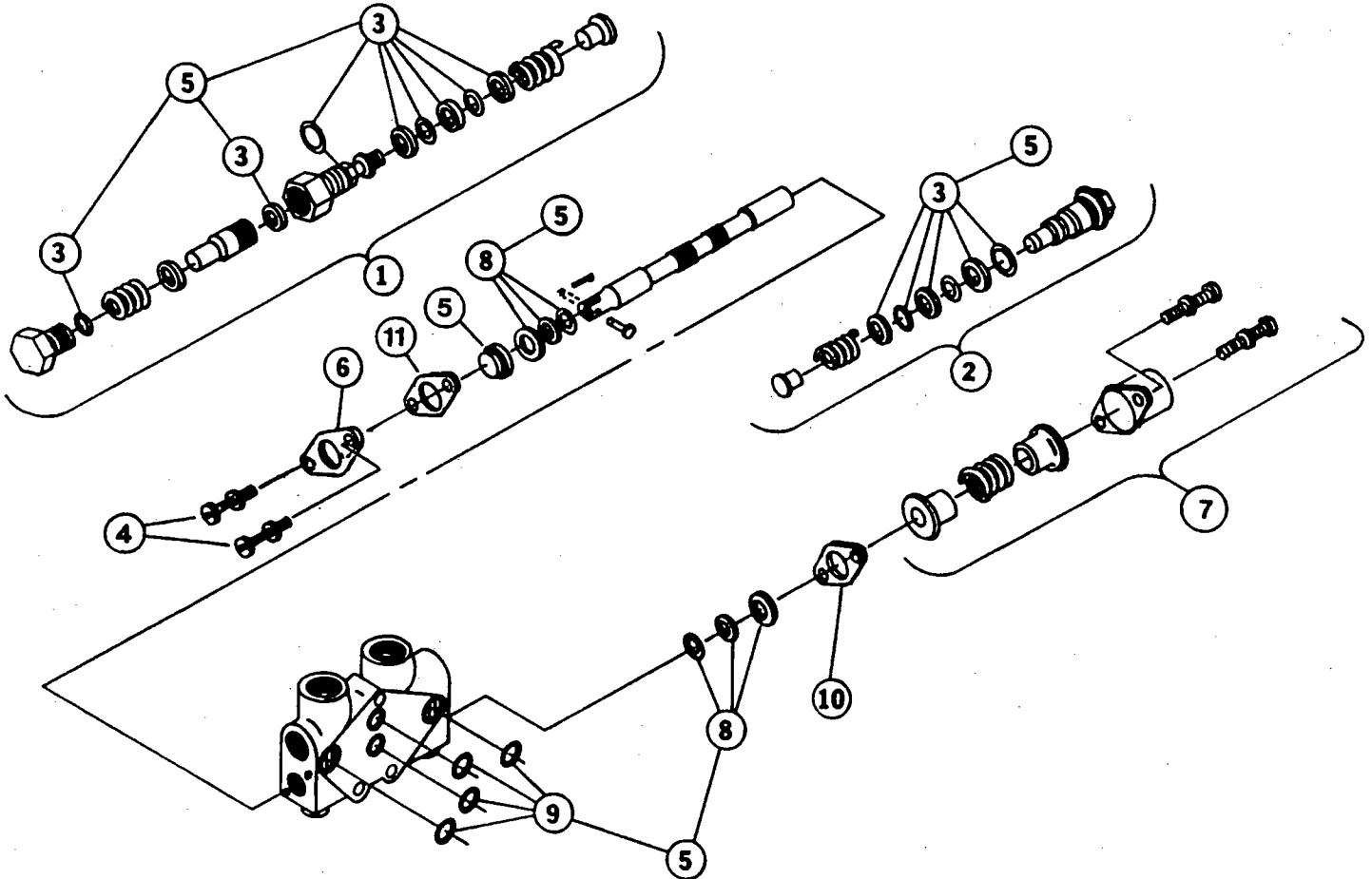


<u>NO.</u>	<u>REQ'D</u>	<u>PART NO.</u>	<u>DESCRIPTION</u>
1	1	45100	Port Relief Cartridge
2	1	4673	Port Check Valve
3	2	4666	Seal Kit
4	2	4658	.25 - 20 UNC X .75 Fillester Head Capscrew
5	1	45103	Seal Kit Complete Section
6	1	54631	Retainer
7	2	4688	Seal Kit
8	1	4653	Seal Kit
9	1	45282	Spring Center Cover Assembly
10	1	45287	Retainer Plate
11	1	45288	Seal Plate

VALVE ASSEMBLY

BOOM SECTION
 ASSEMBLY #4685
 GRESEN

3086-3448

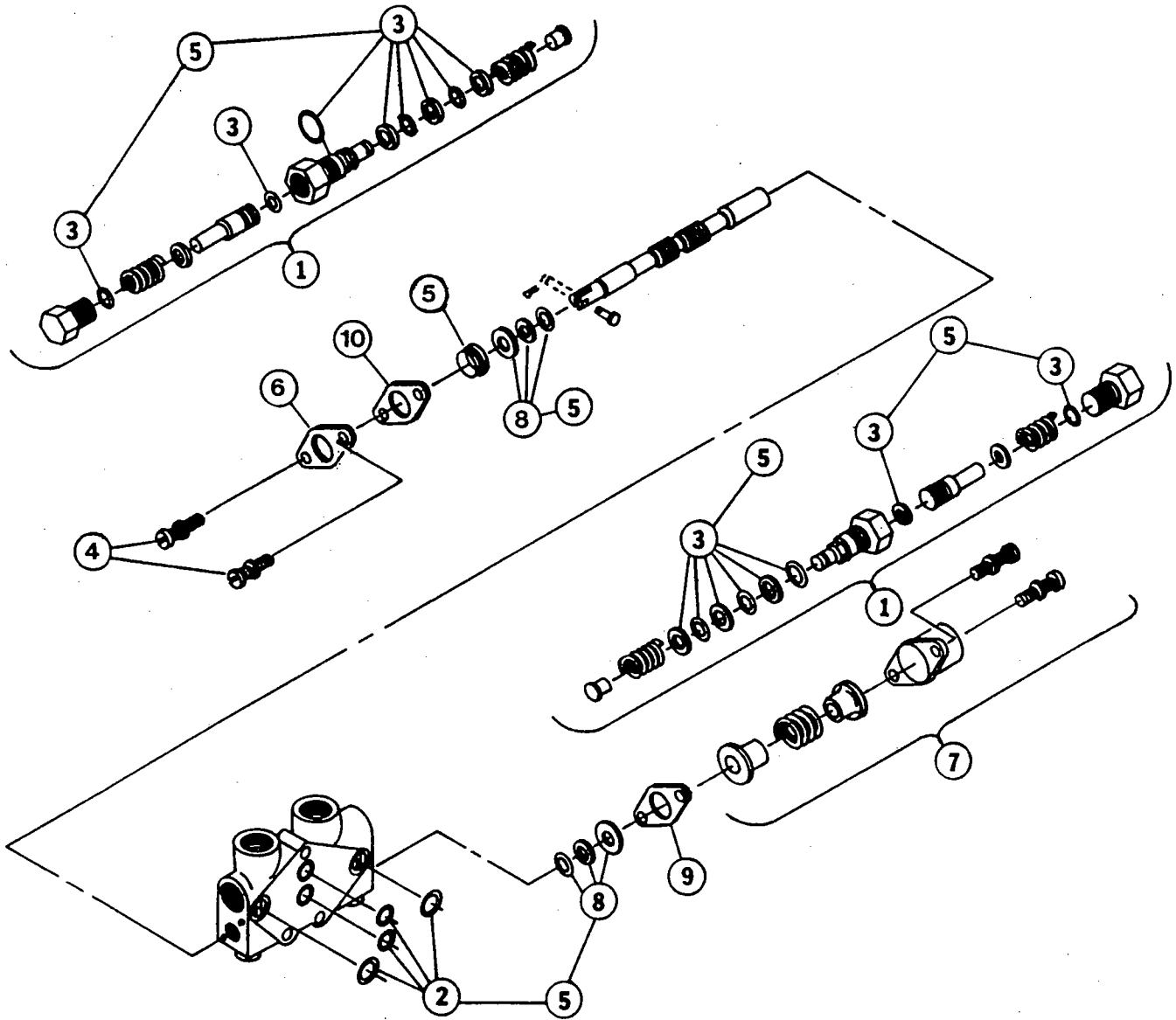


<u>NO.</u>	<u>REQ'D</u>	<u>PART NO.</u>	<u>DESCRIPTION</u>
1	1	4665	Port Relief Cartridge
2	1	4673	Port Check Valve
3	2	4666	Seal Kit
4	2	4658	.25 - 20 UNC X .75 Fillester
5	1	45103	Head Capscrew Seal Kit Complete Section
6	1	54631	Retainer
7	1	45282	Spring Center Cover Assembly
8	2	4688	Seal Kit
9	1	4653	Seal Kit
10	1	45287	Retainer Plate
11	1	45288	Seal Plate

VALVE ASSEMBLY

SWING SECTION
 ASSEMBLY #45138
 GRESEN

1639-3449

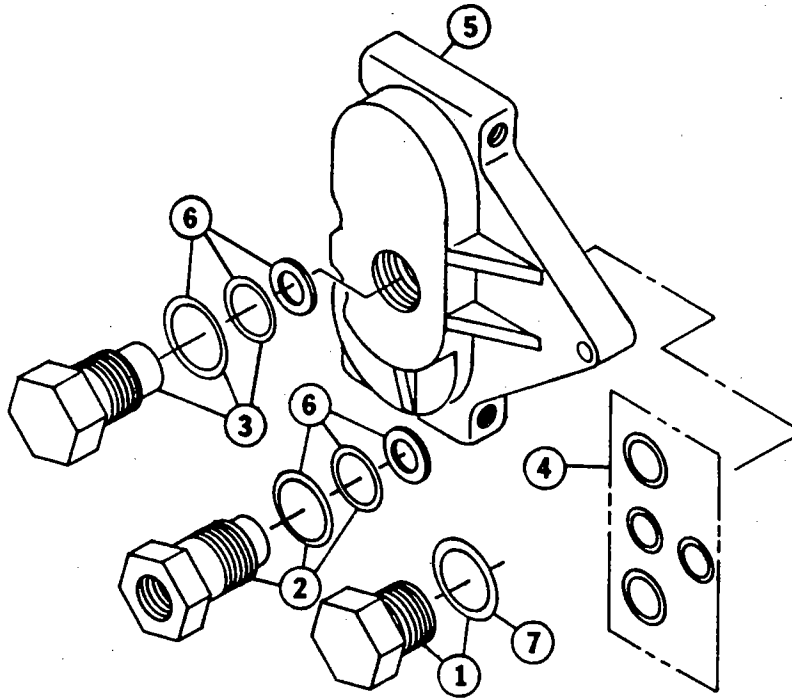


NO.	REQ'D	PART NO.	DESCRIPTION
1	2	45139	Comb. Relief & Anti-Cavitation Check
2	1	4653	Seal Kit
3	2	4666	Seal Kit
4	2	4658	.25 - 20 UNC X .75 Fillester Head Capscrew
5	1	45103	Seal Kit Complete Section
6	1	54631	Retainer
7	1	45282	Spring Center Cover
8	2	4688	Seal Kit
9	1	45287	Retainer Plate
10	1	45288	Seal Plate

VALVE ASSEMBLY

END COVER
GRESEN

1635-3450



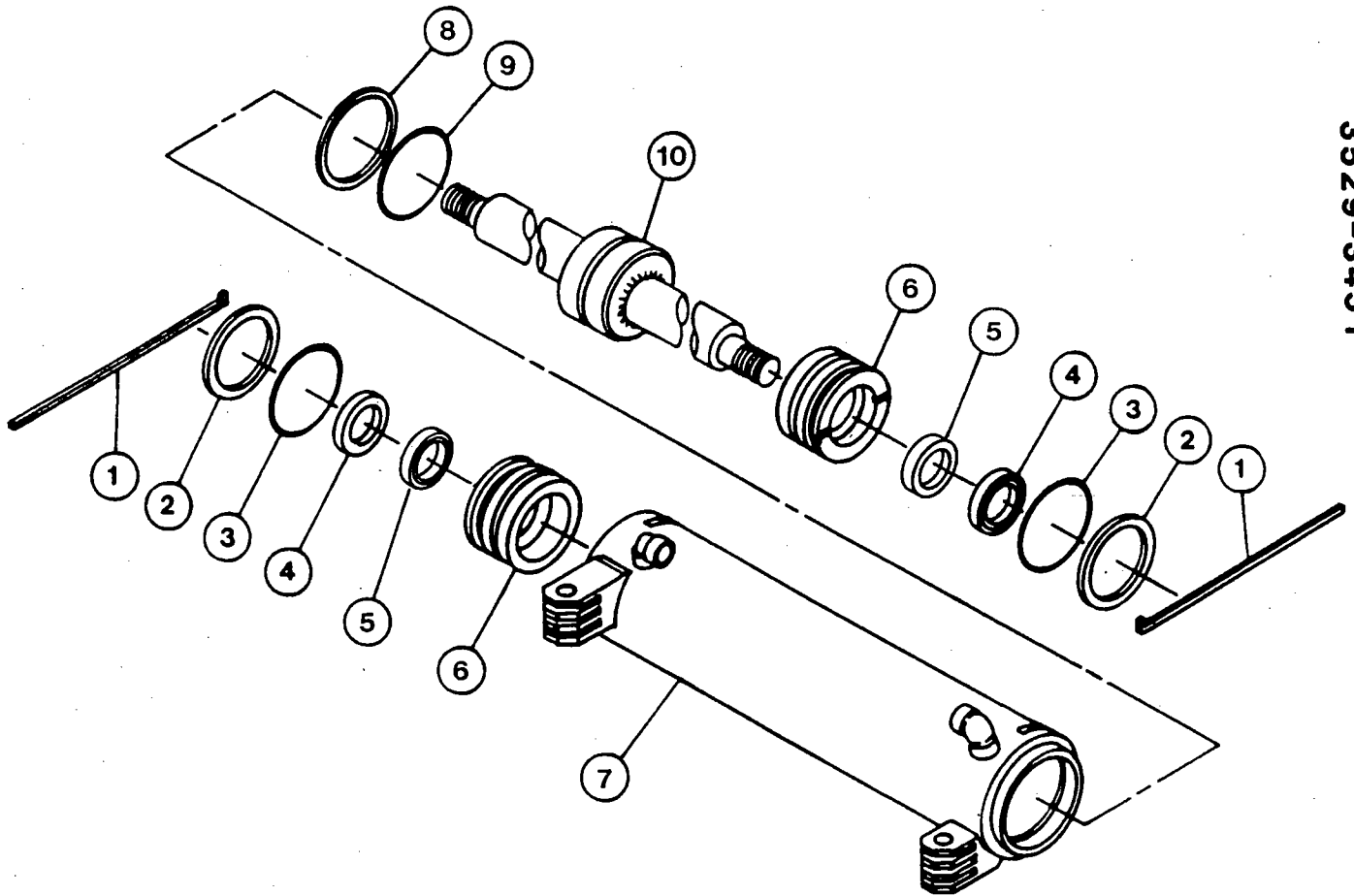
<u>NO.</u>	<u>REQ'D</u>	<u>PART NO.</u>	<u>DESCRIPTION</u>
1	1	4691	Open Center Plug
2	1	4698	Power Beyond Adapter Kit
3	1	6977	Closed Center Plug
4	1	4653	Seal Kit
5	1	4690	Left Cover Plate
6	1	4966	Seal Kit
7	1	4693	O-Ring

VALVES ARE ALWAYS SHIPPED WITH OPEN CENTER PLUG
CLOSED CENTER AND POWER BEYOND PLUGS ARE AVAILABLE
AS OPTIONS

CYLINDER ASSEMBLY

9HD BACKHOE
SWING CYLINDER
ASSEMBLY #64892

3529-3451



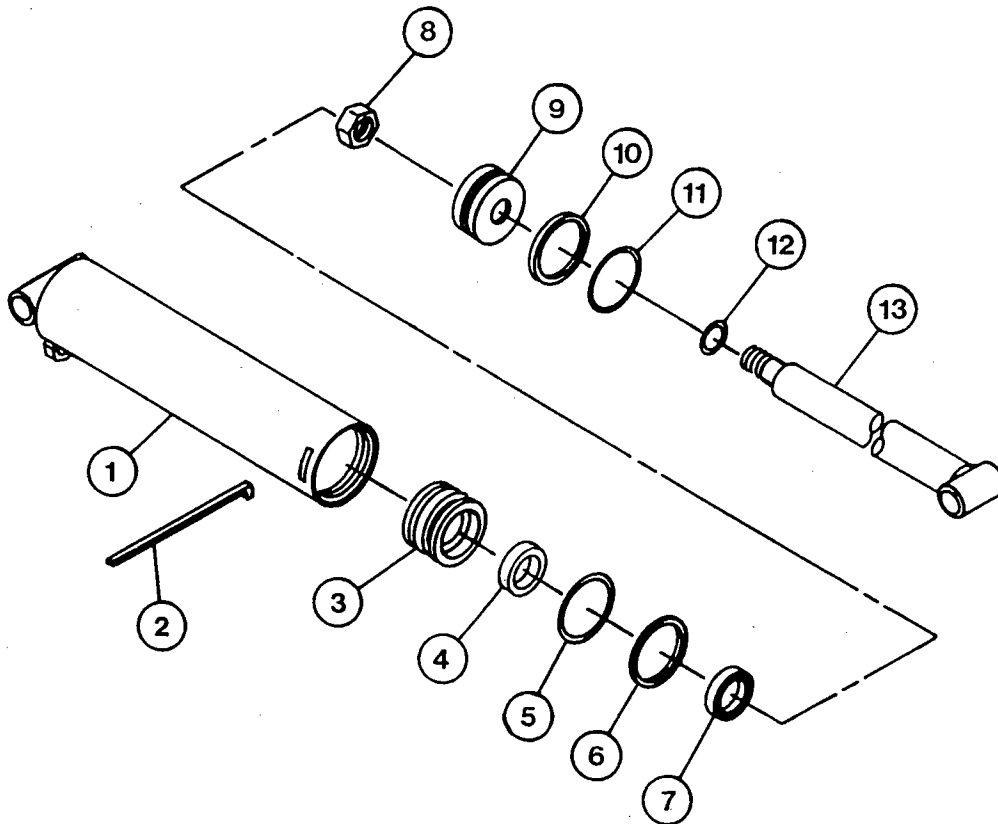
<u>NO.</u>	<u>REQ'D</u>	<u>PART NO.</u>	<u>DESCRIPTION</u>
1	2	*	Gland Retainer Rod, 7166
2	2	*	Back-Up Washer, Gland, 4631
3	2	*	O-Ring, Gland, 4507
4	2	*	Rod Wiper, 4914
5	2	*	Poly Pak Seal, 45225
6	2	63108	Gland
7	1	6724	Cylinder Tube
8	1	*	Piston, 4569
9	1	*	O-Ring, Piston, 4570
10	1	6725	Cylinder Rod & Piston

NOTE: OVERHAUL KIT #45265 INCLUDES ALL OF THE PARTS MARKED WITH AN ASTERISK (*). PARTS ARE NOT SOLD SEPARATELY.

CYLINDER ASSEMBLY

9HD BACKHOE
 STABILIZER CYLINDER
 ASSEMBLY #64886

3531-3452



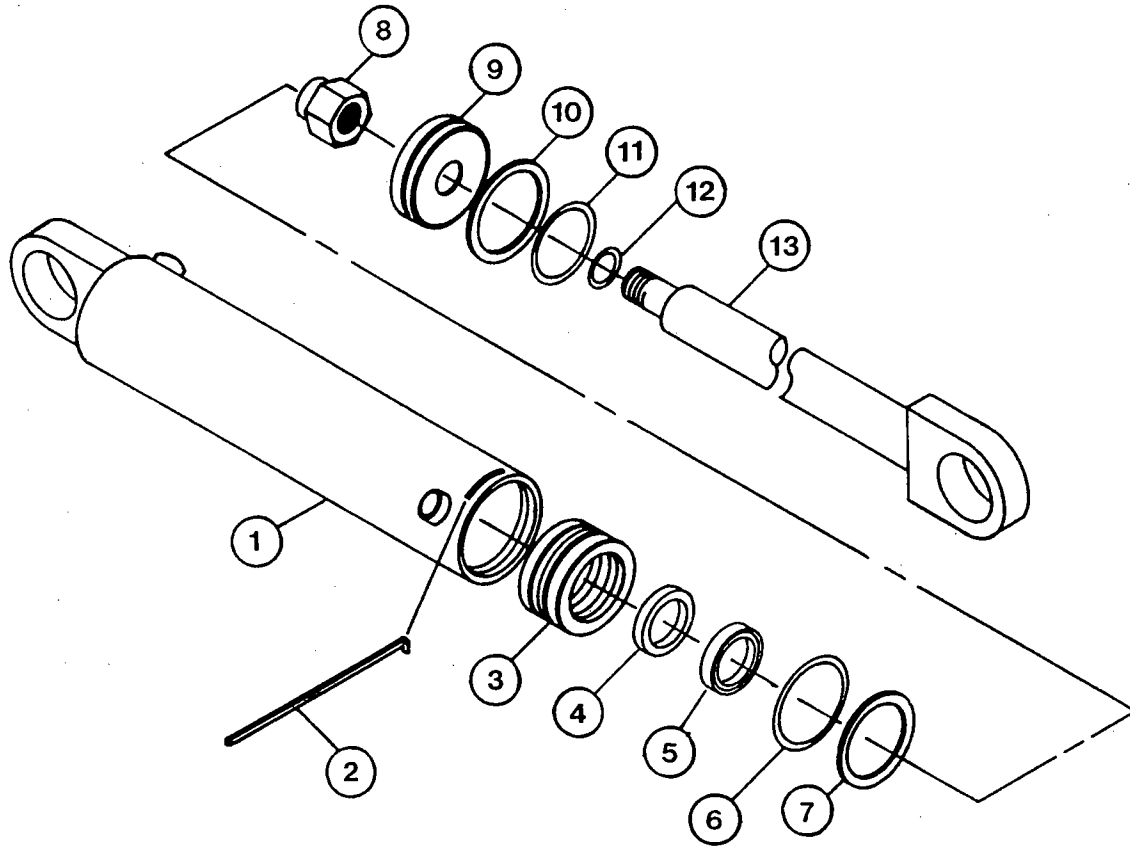
<u>NO.</u>	<u>REQ'D</u>	<u>PART NO.</u>	<u>DESCRIPTION</u>
1	1	9887	Cylinder Tube
2	1	*	Gland Retainer Rod, 7166
3	1	63108	Gland
4	1	*	Poly Pak Seal, 45225
5	1	*	O-Ring, Gland, 4507
6	1	*	Back-Up Washer, 4631
7	1	*	Rod Wiper, 4914
8	1	1483	Lock Nut
9	1	6731	Piston
10	1	*	Piston, 4569
11	1	*	O-Ring, Piston, 4570
12	1	*	O-Ring, Rod, 4641
13	1	9888	Cylinder Rod

NOTE: OVERHAUL KIT #45257 INCLUDES ALL PARTS MARKED WITH AN ASTERISK (*). PARTS ARE NOT SOLD SEPARATELY.

CYLINDER ASSEMBLY

9HD BACKHOE
BOOM CYLINDER
ASSEMBLY #64884

3532-3453



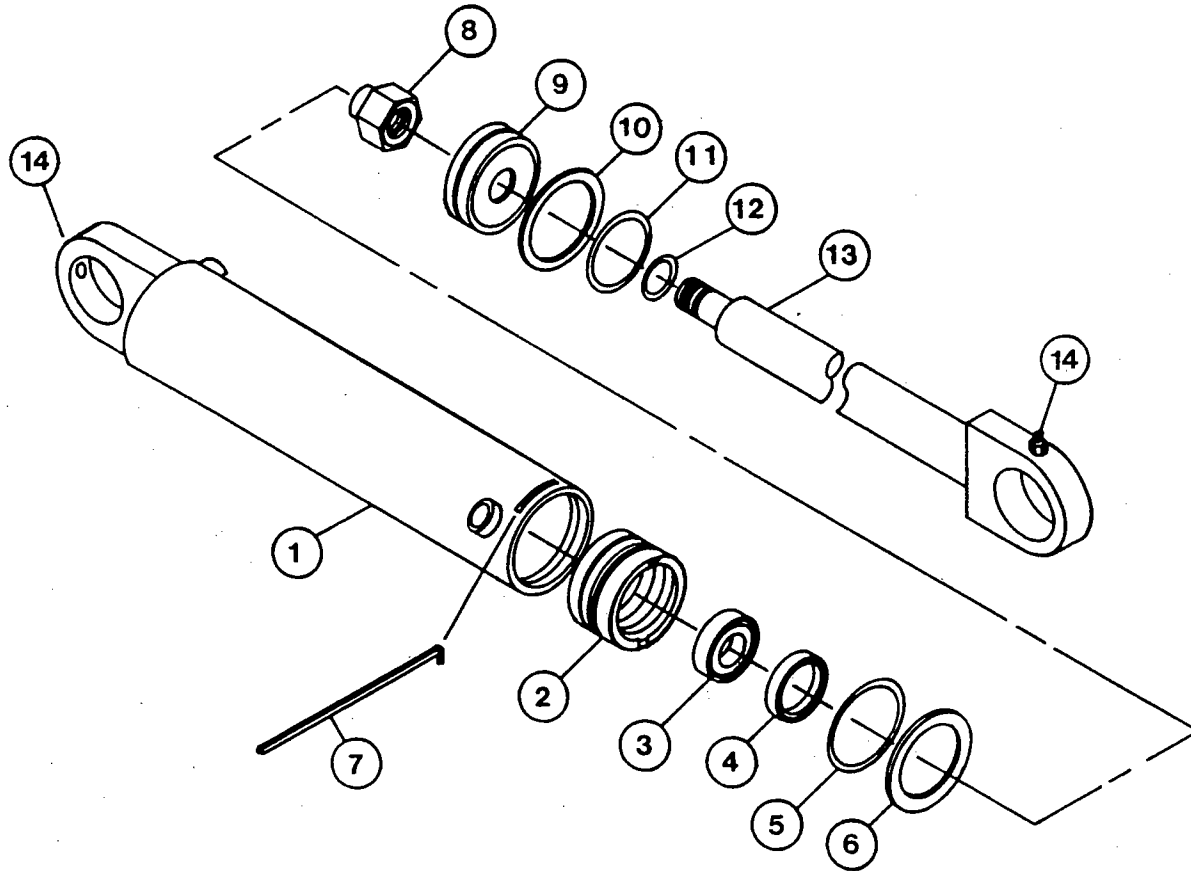
<u>NO.</u>	<u>REQ'D</u>	<u>PART NO.</u>	<u>DESCRIPTION</u>
1	1	6726	Cylinder Tube
2	1	*	Gland Retainer Rod, 7166
3	1	63108	Gland
4	1	*	Poly Pak Seal, 45225
5	1	*	Rod Wiper, 4914
6	1	*	O-Ring, Gland, 4507
7	1	*	Back-Up Washer, Gland, 4631
8	1	1483	Lock Nut
9	1	6731	Piston
10	1	*	Piston Ring, 4569
11	1	*	O-Ring, Piston, 4570
12	1	*	O-Ring, 4641
13	1	6728	Cylinder Rod

NOTE: OVERHAUL KIT #45257 INCLUDES ALL OF THE PARTS MARKED WITH AN ASTERISK (*). PARTS ARE NOT SOLD SEPARATELY.

CYLINDER ASSEMBLY

9HD BACKHOE
DIPPER CYLINDER
ASSEMBLY #55906

3058-3454



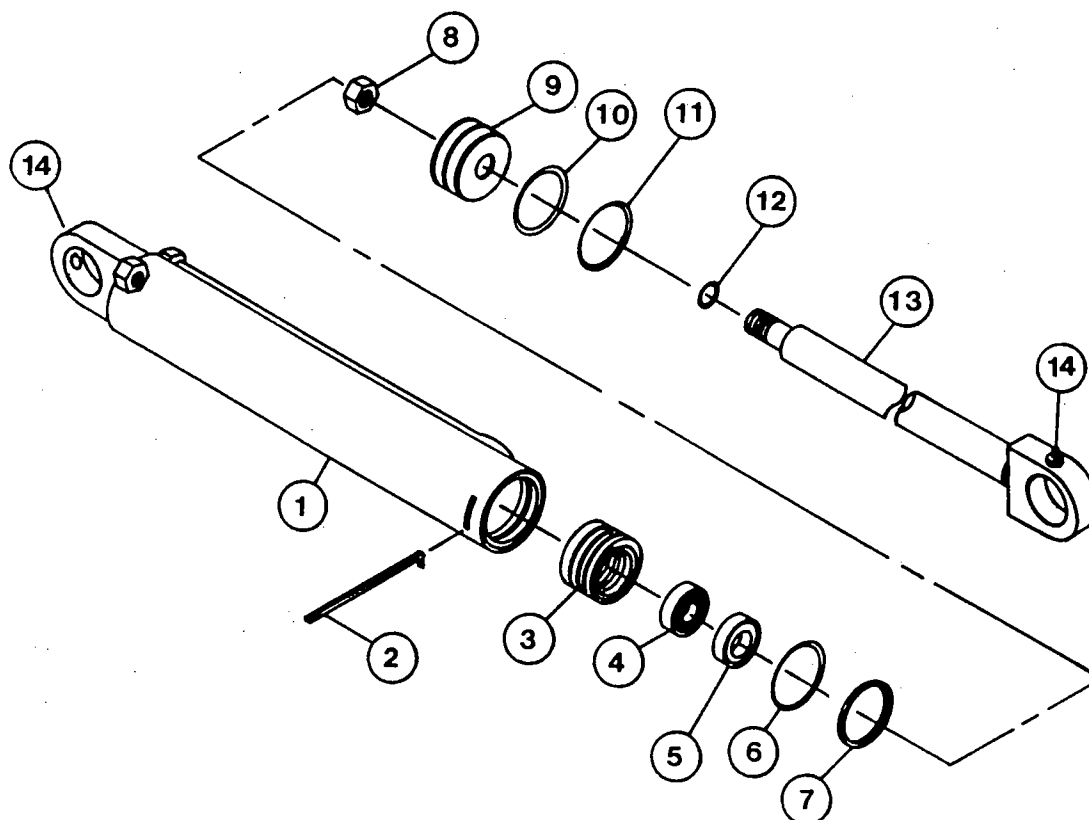
<u>NO.</u>	<u>REQ'D</u>	<u>PART NO.</u>	<u>DESCRIPTION</u>
1	1	6726	Cylinder Tube
2	1	55914	Gland
3	1	*	O-Ring, Parker Poly Pak Type B 2500-1750-375
4	1	*	Rod Wiper
5	1	*	O-Ring, Gland External
6	1	*	Back-Up Washer Gland External
7	1	*	Rod, Gland Retainer
8	1	1484	Lock Nut
9	1	55904	Piston
10	1	*	Teflon Ring
11	1	*	O-Ring, Piston External
12	1	*	O-Ring
13	1	55909	Cylinder Rod
14	2	6615	Grease Zerck

NOTE: Overhaul Kit No. 45120 includes all of the parts marked with an asterisk (*). Parts are not sold separately.

CYLINDER ASSEMBLY

9HD BACKHOE
 BUCKET CYLINDER
 ASSEMBLY #61380

2844-3455



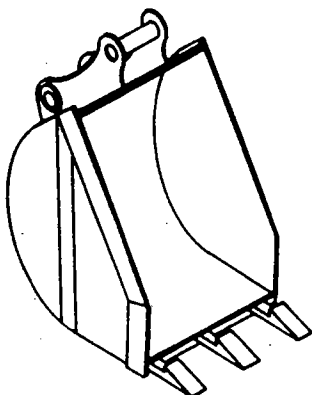
<u>NO.</u>	<u>REQ'D</u>	<u>PART NO.</u>	<u>DESCRIPTION</u>
1	1	61381	Cylinder Tube
2	1	*	Gland Retainer Rod, 7166
3	1	55911	Gland
4	1	*	Poly Pak Seal, 45117
5	1	*	Rod Wiper, 45105
6	1	*	O-Ring, Gland, 4507
7	1	*	Back-Up Washer, 4631
8	1	1484	Lock Nut
9	1	55904	Piston
10	1	*	Piston, 4569
11	1	*	O-Ring, Piston, 4570
12	1	*	O-Ring, Rod, 4865
13	1	55907	Cylinder Rod
14	2	6616	Grease Zerk

NOTE: OVERHAUL KIT #45116 INCLUDES ALL OF THE PARTS MARKED WITH AN ASTERISK (*). PARTS ARE NOT SOLD SEPARATELY.

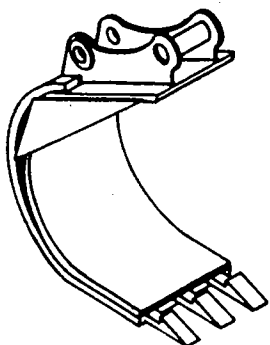
OPTIONAL EQUIPMENT

9HD BACKHOE
BUCKETS

3134-3456

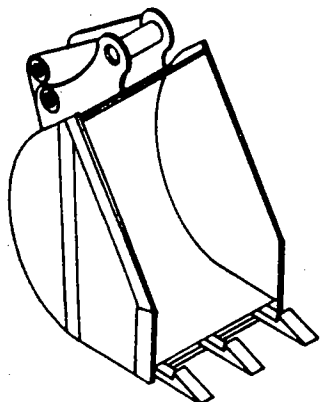


<u>WIDTH</u>	<u>DESCRIPTION</u>	<u>PART NO.</u>
12"	Heavy Duty Bucket	62200
16"	Heavy Duty Bucket	62201
18"	Heavy Duty Bucket	62202
20"	Heavy Duty Bucket	64401
24"	Heavy Duty Bucket	62203



8"	Open Side Bucket	62195
10"	Open Side Bucket	62196

NOTE: Open Side Buckets are narrower than pin widths on dipper- overall pin width is 10.25". To avoid pin damage, keep the pins above ground level.



12"	Bell Hole Bucket	62188
16"	Bell Hole Bucket	62189
18"	Bell Hole Bucket	62190
24"	Bell Hole Bucket	62191
36"	Bell Hole Bucket	62192

NOTE: Buckets Include Two #6355 Bushings

LIMITED WARRANTY

EFFECTIVE MARCH 1, 1986

All new unused American Trencher products are warranted to be free from defects in materials or workmanship which may cause failure under normal usage and service when used for the purpose intended.

In the event of failure within 12 months from initial retail sale, lease or rental date (excluding cable, ground engaging parts such as sprockets, digging chain, bearings, teeth, tamping and demolition heads, and blade cutting edges), if after examination, American Trencher determines failure was due to defective material and/or workmanship, parts will be repaired or replaced by American Trencher. American Trencher may request defective part or parts be returned prepaid to them for inspection at their place of business at Delhi, Iowa, or to a location specified by American Trencher.

Any claims under this warranty must be made within fifteen (15) days after the Buyer learns of the facts upon which such claim is based. All claims not made in writing and received by American Trencher within the time period specified above shall be deemed waived.

THIS WARRANTY IS IN LIEU OF ALL OTHER WARRANTIES EXPRESSED OR IMPLIED AND THERE ARE NO WARRANTIES OF MERCHANTABILITY OR OF FITNESS FOR A PARTICULAR PURPOSE. IN NO EVENT SHALL AMERICAN TRENCHER BE LIABLE FOR CONSEQUENTIAL OR SPECIAL DAMAGE.

AMERICAN TRENCHER'S LIABILITY FOR ANY AND ALL LOSSES AND DAMAGES TO BUYER, RESULTING FROM ANY CAUSE WHATSOEVER, INCLUDING AMERICAN TRENCHER'S NEGLIGENCE, IRRESPECTIVE OF WHETHER SUCH DEFECTS ARE DISCOVERABLE OR LATENT, SHALL IN NO EVENT EXCEED THE PURCHASE PRICE OF THE PARTICULAR PRODUCTS WITH RESPECT TO WHICH LOSSES OR DAMAGES ARE CLAIMED, OR, AT THE ELECTION OF AMERICAN TRENCHER, THE REPAIR OR REPLACEMENT OF DEFECTIVE OR DAMAGED PRODUCTS.

3924 7-88-2

