

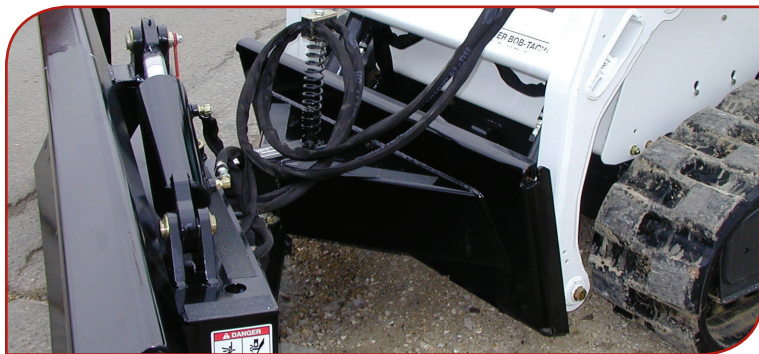


DOZER BLADE

For Skid Steer Loaders



Bradco Dozer Blade, by Paladin, with tilt attach, tilts the dozer blade for more precise grading, leveling and trenching. This means that you get to the next job quicker!

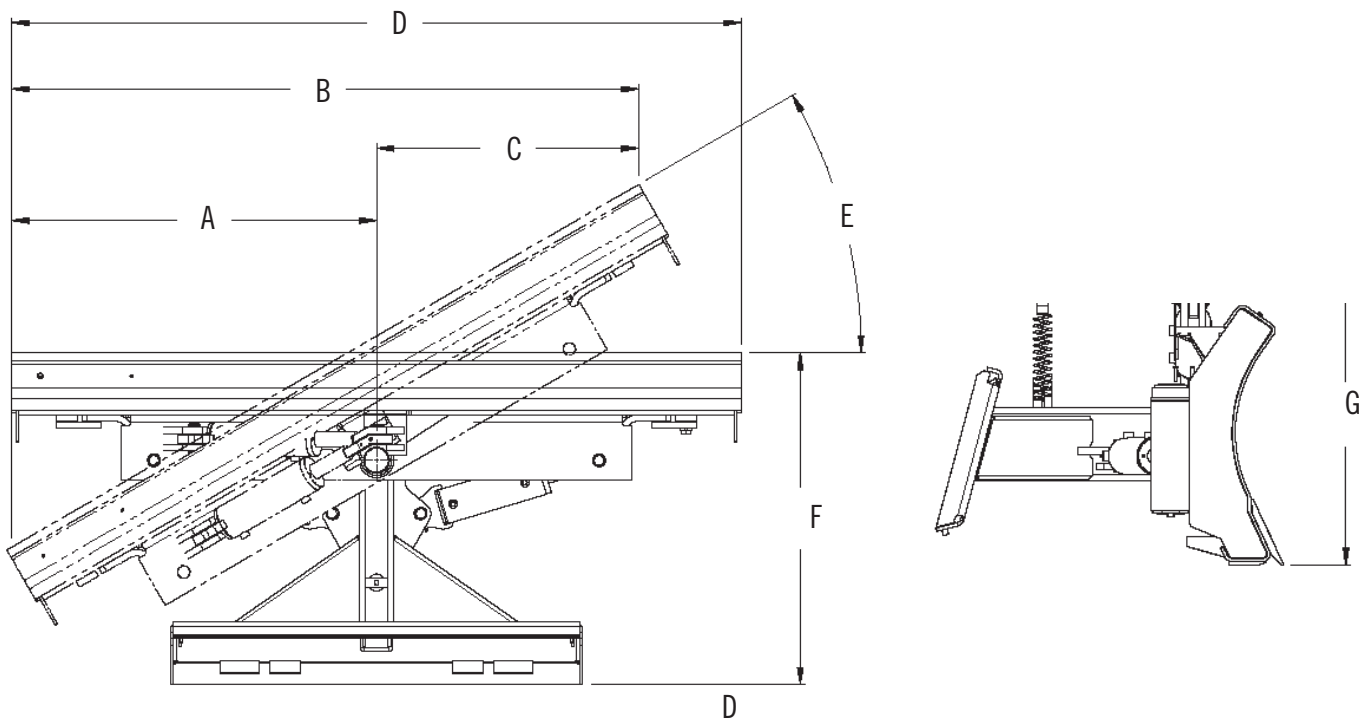


- Available in 84" and 96"
- Hydro-electric controlled angle and tilt, using only one loader valve
- Angle 30° right or left off center
- Tilt 10° off horizontal both directions
- Tilt indicator visible from operator's seat

DOZER BLADE

- Angle and tilt cylinders are interchangeable and equipped with self aligning bushings
- Reversible ¾" x 8" bolt-on cutting edge & formed moldboard .31" thick & 28" high
- Large 3" center pivot pin with hardened steel bushings
- Full length high carbon steel, replaceable skid shoe
- Set up to default in either tilt or angle position
- Universal skid-steer loader quick attach mounting, or use on skid-steers up to 110 HP

Specifications	84"	96"
Width from center line to inside edge at 15°	44"	50"
Width from center line to inside edge at 30°	43"	48"
Width at 15° angle	82"	93"
Width at 30° angle	74"	84"
Width from center line to outside edge at 15° angle	38"	44"
Width from center line to outside edge at 30° angle	31"	37"
Width (overall)	85"	97"
Angle Left and Right	30°	30°
Length (overall)	37"	37"
Height (overall)	30"	30"



When work needs to get done you need to be able to depend on your equipment. Our dozer blades are designed for maximum reliability, durability, and productivity.