

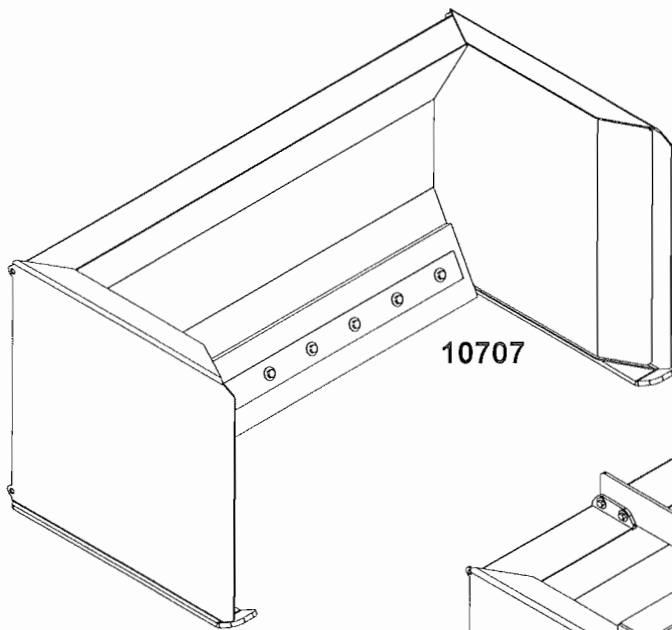


OPERATOR'S & PARTS MANUAL

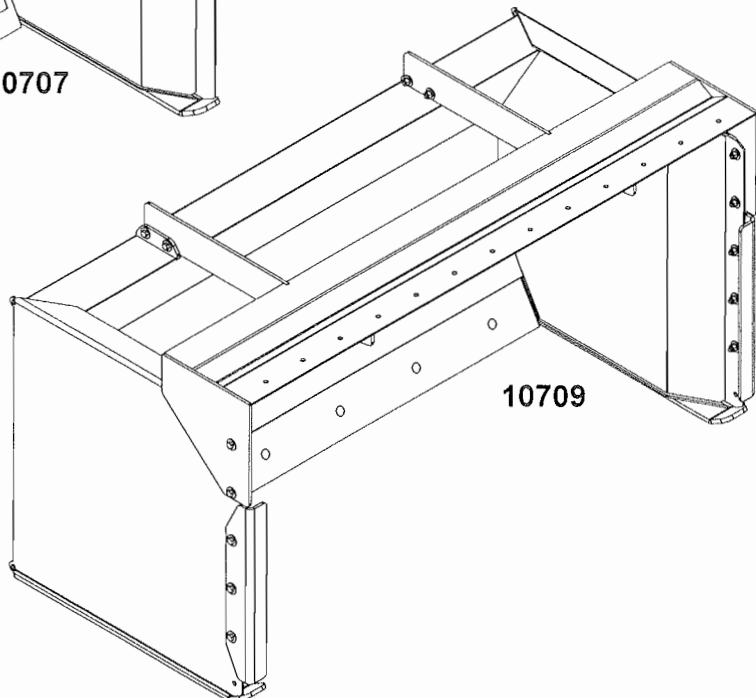
SNOW PUSH & TRIP EDGE SNOW PUSH



PALADIN LIGHT CONSTRUCTION



10707



10709

SERIAL NUMBER: _____

MODEL NUMBER: _____

Manual Number: 51-10035

Models: 10707 & 10709

Date: August 2007

TABLE OF CONTENTS

INTRODUCTION	2
GENERAL INFORMATION	2
SERIAL NUMBER	2
OWNER AND OPERATOR SAFETY INFORMATION	
SAFETY STATEMENTS	3
SAFETY PRECAUTIONS	3-5
SAFETY SIGNS	6-7
SPECIFICATIONS	8
MOUNTING	9
OPERATION	10
MAINTENANCE	11-12
SERVICE	13
STORAGE	13
PARTS ILLUSTRATIONS	
10707 SERIES	14
10709 SERIES	16
OPTIONAL KITS	18
PARTS LIST	
10707 SERIES	15
10709 SERIES	17
OPTIONAL KITS	19
WARRANTY	i

INTRODUCTION

Congratulations on your purchase of a new FFC Snow Push. This product has been designed and built to move large volumes of snow efficiently. It can also be used for waste water, manure, feed lot and food cleanup. You or any other person who will be assembling, operating, maintaining, or working with this product are required to read and completely understand the information and instructions contained in this manual. If anyone does not fully understand every part of this manual, please obtain further assistance by contacting the dealer from which this product was purchased or by contacting FFC at the telephone number or address listed on the cover of this manual. Keep this manual available for reference whenever this product is being handled or used. Provide this manual to any new owners and/or operators.

This manual covers model(s) 10707 and 10709.

GENERAL INFORMATION

The purpose of this manual is to assist in assembling, mounting, operating, and maintaining your attachment. Read this manual carefully to obtain valuable information and instructions that will help you achieve years of safe and dependable service.

The illustrations and data used in this manual were current at the time of printing, but due to possible engineering and/or production changes, this product may vary slightly in detail. FFC reserves the right to redesign and/or change components as may be necessary without notification to anyone.

Throughout this manual, references may be made to:

Prime Mover	The engine-driven machine to which this product must be attached.
Right, Left, Front, Rear	Directions that are determined in relation to the operator of the equipment when seated in the normal operation position.
IMPORTANT	Precautions that must be followed to prevent substandard performance.

SERIAL NUMBER LOCATION

Always refer to the model and serial number when ordering parts or requesting information from your dealer. See Safety Signs section for the location of the serial number plate for this product.

Reference Information	
Model Number	Loader Make
Serial Number	Loader Model
Date Purchased	Loader Serial Number

SAFETY STATEMENTS



THIS SYMBOL BY ITSELF OR WITH A WARNING WORD THROUGHOUT THIS MANUAL IS USED TO CALL YOUR ATTENTION TO INSTRUCTIONS INVOLVING YOUR PERSONAL SAFETY OR THE SAFETY OF OTHERS. FAILURE TO FOLLOW THESE INSTRUCTIONS CAN RESULT IN INJURY OR DEATH.



DANGER THIS SIGNAL WORD IS USED WHERE SERIOUS INJURY OR DEATH WILL RESULT IF THE INSTRUCTIONS ARE NOT FOLLOWED PROPERLY.



WARNING THIS SIGNAL WORD IS USED WHERE SERIOUS INJURY OR DEATH COULD RESULT IF THE INSTRUCTIONS ARE NOT FOLLOWED PROPERLY.



CAUTION THIS SIGNAL WORD IS USED WHERE MINOR INJURY COULD RESULT IF THE INSTRUCTIONS ARE NOT FOLLOWED PROPERLY.

NOTICE NOTICE INDICATES A PROPERTY DAMAGE MESSAGE.

GENERAL SAFETY PRECAUTIONS

WARNING! READ MANUAL PRIOR TO INSTALLATION



Improper installation, operation, or maintenance of this equipment could result in serious injury or death. Operators and maintenance personnel should read this manual, as well as all manuals related to this equipment and the prime mover thoroughly before beginning installation, operation, or maintenance. **FOLLOW ALL SAFETY INSTRUCTIONS IN THIS MANUAL AND THE PRIME MOVER'S MANUAL(S).**



READ AND UNDERSTAND ALL SAFETY STATEMENTS

Read all safety decals and safety statements in all manuals prior to operating or working on this equipment. Know and obey all OSHA regulations, local laws, and other professional guidelines for your operation. Know and follow good work practices when assembling, maintaining, repairing, mounting, removing, or operating this equipment.



KNOW YOUR EQUIPMENT

Know your equipment's capabilities, dimensions and operations before operating. Visually inspect your equipment before you start, and never operate equipment that is not in proper working order with all safety devices intact. Check all hardware to ensure it is tight. Make certain that all locking pins, latches, and connection devices are properly installed and secured. Remove and replace any damaged, fatigued, or excessively worn parts. Make certain all safety decals are in place and are legible. Keep decals clean, and replace them if they become worn and hard to read.

GENERAL SAFETY PRECAUTIONS

WARNING! PROTECT AGAINST FLYING DEBRIS



Always wear proper safety glasses, goggles or a face shield when driving pins in or out, or when any operation causes dust, flying debris, or any other hazardous material.

WARNING! LOWER OR SUPPORT RAISED EQUIPMENT



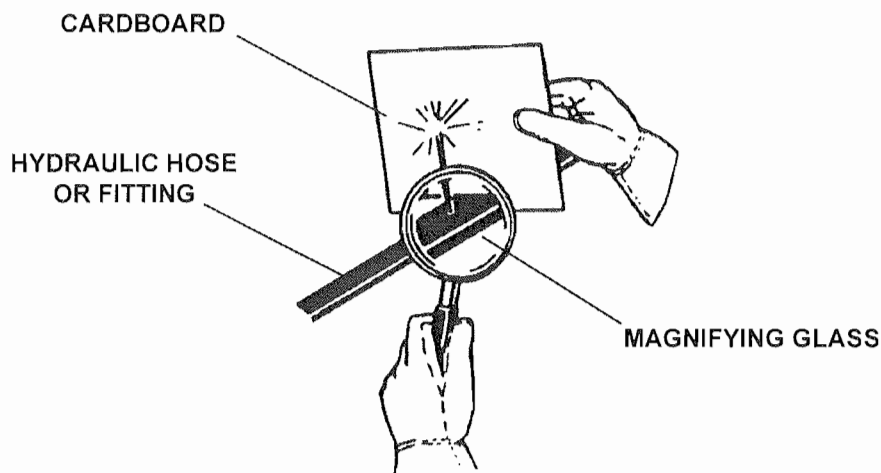
Do not work under raised booms without supporting them. Do not use support material made of concrete blocks, logs, buckets, barrels or any other material that could suddenly collapse or shift positions. Make sure support material is solid, not decayed, warped, twisted, or tapered. Lower booms to ground level or onto blocks. Lower booms and attachments to the ground before leaving the cab or operator's station.

WARNING! USE CARE WITH HYDRAULIC FLUID PRESSURE



Hydraulic fluid under pressure can penetrate the skin and cause serious injury or death. Hydraulic leaks under pressure may not be visible. Before connecting or disconnecting hydraulic hoses, read your prime movers operator's manual for detailed instructions on connecting and disconnecting hydraulic hoses or fittings.

- Keep unprotected body parts, such as face, eyes, and arms as far away as possible from a suspected leak. Flesh injected with hydraulic fluid may develop gangrene or other permanent disabilities.
- If injured by injected fluid, see a doctor at once. If your doctor is not familiar with this type of injury, ask him to research immediately to determine proper treatment.
- Wear safety glasses, protective clothing, and use a sound piece of cardboard or wood when searching for hydraulic leaks. **DO NOT USE YOUR HANDS!** SEE ILLUSTRATION.



GENERAL SAFETY PRECAUTIONS

WARNING! DO NOT MODIFY MACHINE OR ATTACHMENTS



Modifications may weaken the integrity of the attachment and may impair the function, safety, life, and performance of the attachment. When making repairs, use only the manufacturer's genuine parts, following authorized instructions. Other parts may be substandard in fit and quality. Never modify any ROPS (Roll Over Protection Structure) or FOPS (Falling Object Protective Structure) equipment or device. Any modifications must be authorized in writing by the manufacturer.

WARNING! SAFELY MAINTAIN AND REPAIR EQUIPMENT



- Do not wear loose clothing, or any accessories that can catch in moving parts. If you have long hair, cover or secure it so that it does not become entangled in the equipment.
- Work on a level surface in a well-lit area.
- Use properly grounded electrical outlets and tools.
- Use the correct tool for the job at hand. Make sure they are in good condition for the task required.
- Wear the protective equipment specified by the tool manufacturer.

WARNING! SAFELY OPERATE EQUIPMENT



Do not operate equipment until you are completely trained by a qualified operator in how to use the controls, know its capabilities, dimensions, and all safety requirements. See your machine's manual for these instructions.

- Keep all step plates, grab bars, pedals, and controls free of dirt, grease, debris, and oil.
- Never allow anyone to be around the equipment when it is operating.
- Do not allow riders on the attachment or the prime mover.
- Do not operate the equipment from anywhere other than the correct operators position.
- Never leave equipment unattended with the engine running or with this attachment in a raised position.
- Do not alter or remove any safety feature from the prime mover or this attachment.
- Know your work site safety rules as well as traffic rules and flow. When in doubt on any safety issue, contact your supervisor or safety coordinator for an explanation.

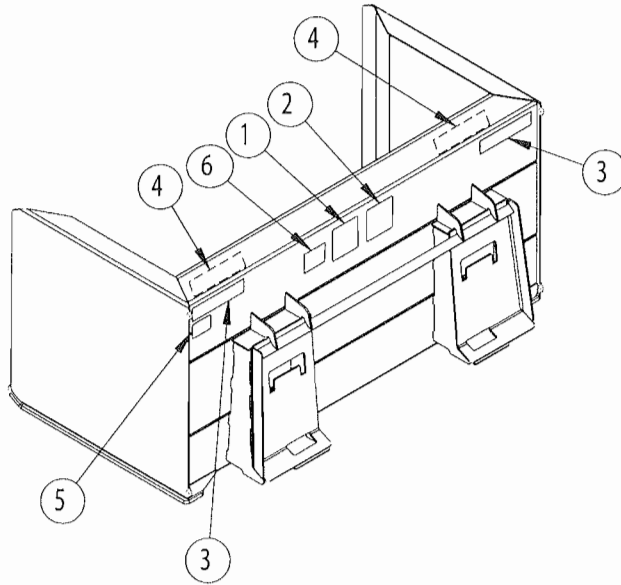
WARNING! KNOW WHERE UTILITIES ARE



Observe overhead electrical and other utility lines. Be sure equipment will clear them. When digging, call your local utilities for location of buried utility lines, gas, water, and sewer, as well as any other hazard you may encounter.

SAFETY SIGN LOCATIONS

The diagram on this page shows the location of the decals used of the FFC Manure Fork Grapple. The decals are identified by their part numbers, with reductions of the actual decals located on the following page. Use this information to order replacements for lost or damaged decals. Be sure to read all decals before operating the attachment. They contain information you need to know for both safety and product longevity.



ITEM	QTY.	PART #	DESCRIPTION
1	1	1002423	Read Manual
2	1	1003751	Crush Hazard
3	2	50-10018	Red Reflecting Tape 2x9
4	2	50-10019	Amber Reflecting Tape 2x9
5	1	----	Serial Number Plate
6	1	40967	Specifications (10707 only)

INSTRUCTIONS

- Keep all safety signs clean and legible.
- Replace all missing, illegible, or damaged safety signs.
- Replacement parts for parts with safety signs attached must also have safety signs attached.
- Safety signs are available, free of charge, from your dealer or from FFC.

PLACEMENT OR REPLACEMENT OF SAFETY SIGNS

1. Clean the area of application with non-flammable solvent, and then wash the same area with soap and water.
2. Allow the surface to fully dry.
3. Remove the backing from the safety sign, exposing the adhesive surface.
4. Apply the safety sign to the position shown in the diagram above and smooth out any bubbles.

SAFETY SIGNS

ITEM 1

WARNING

TO AVOID SERIOUS INJURY OR DEATH:

- Read Operator's Manual before operating, servicing or repairing equipment. (Manuals are available from your selling dealer.)
- Never allow riders.
- Keep bystanders away from equipment during operation.
- Operate from tractor seat only.
- Keep all shields in place and in good condition.
- Lower equipment to ground, stop engine, remove key and set brake before dismounting tractor.
- Never allow children or untrained persons to operate equipment.

FAILURE TO FOLLOW THESE INSTRUCTIONS CAN RESULT IN INJURY OR DEATH.

1002423

ITEM 2

WARNING



CRUSHING AND PINCHING HAZARD

- Be extremely careful handling various parts of the machine. They are heavy and hands, fingers, feet, and other body parts could be crushed or pinched between tractor and implement.
- Operate tractor controls from tractor seat only.
- Do not stand between tractor and implement when tractor is in gear.
- Make sure parking brake is engaged before going between tractor and implement.
- Stand clear of machine while in operation or when it is being raised or lowered.

FAILURE TO FOLLOW THESE INSTRUCTIONS COULD RESULT IN SERIOUS INJURY OR DEATH.

1003751 A

ITEM 3 (Red)



ITEM 4 (Amber)



ITEM 5

FFC LEE, IL 60530
MADE IN THE USA

SERIAL # MANUFACTURED BY **PALADIN** LIGHT CONSTRUCTION

XXXXXXXXXXXXXXXXXXXX

MODEL # XXXXXXXXXXXXXXX

MFG DATE XX/XX/XX @ XXX HORZ G.G XXX IN.

WT XXXX lbs CAP XXXXXXXXXXXXXXX

MAX PRESSURE XXXX PSI COMPLIES TO ASME B36.6-2002

ITEM 6 (10707 only)

WARNING

TO AVOID SERIOUS INJURY OR DEATH:
Power unit must not exceed any of the following specifications.

- 40 HP
- 4000 Lbs. Operating Weight
- 2000 Lbs. Lift Capacity

#40967

PRIME MOVER/LOADER SPECIFICATIONS

IMPORTANT Exceeding any of the maximum recommended prime mover/loader specifications **CAN** result in damage to this product and **WILL** void all FFC warranties.

DESCRIPTION	SPECIFICATIONS	
SNOW PUSH	10707	10709
Prime Mover HP	40 HP maximum	50 HP maximum
Operating Weight of Prime Mover	4,000 lbs. maximum	8,000 lbs. maximum
Lift Capacity of Prime Mover's Loader	2,000 lbs. maximum	4,000 lbs. maximum
Rear Ballast	As required to maintain full prime mover stability. (Note the shipping weight of your model, then see the operator's manual(s) for your prime mover and loader for ballasting needs.)	

ATTACHMENT SPECIFICATIONS

Model Number	Overall Width	Overall Height	Overall Depth	Shipping Weight
10707-60	62.25"	30.75"	34"	453#
10707-72	74.25"	30.75"	34"	490#
10707-84	86.25"	30.75"	34"	527#
10707-96	98.25"	30.75"	34"	564#
10709-78	80.38"	39.8"	41.5"	886#
10709-96	98.38"	39.8"	41.5"	950#
10709-08	110.38"	39.8"	41.5"	993#
10709-20	119.88"	39.8"	41.5"	1030#

TORQUE SPECIFICATIONS FOR STANDARD MACHINE HARDWARE (FOR REFERENCE ONLY)

Bolt Size	SAE Grade Bolt	Torque Ft./Lbs
1/2" - 13	5	75
5/8" - 11	5	150

MOUNTING

WARNING! READ MANUAL PRIOR TO INSTALLATION



Improper installation, operation, or maintenance of this equipment could result in serious injury or death. Operators and maintenance personnel should read this manual, as well as all manuals related to this equipment and the prime mover/loader thoroughly before beginning installation, operation, or maintenance. **FOLLOW ALL SAFETY INSTRUCTIONS IN THIS MANUAL AND THE PRIME MOVER'S MANUAL(S).**

1. Place this product on a firm, level surface that is large enough to safely accommodate this product, your prime mover/loader and all workers involved in the mounting process.
2. Refer to the operator's manual(s) for your prime mover and loader. Follow the mounting instructions contained therein.
3. Carefully raise the loader and cycle the tilt cylinders to check clearances and to verify that all mounting procedures have been successfully completed.

10709 SERIES TRIP EDGE SNOW PUSH

With the snow push properly attached to the loader and parked on a hard level surface, measure the springs from the inside of one hook to the inside of the other hook. See the chart below for the recommended spring set-up length for your attachment. Loosen or tighten eyebolt as required to obtain the required distance.

<u>Trip Edge Snow Push</u>	<u>Spring Set-Up Length</u>
10709-78	14.2"
10709-96	14.4"
10709-08	14.6"
10709-20	14.8"

Springs may be adjusted tighter if desired but do not exceed 15.12"

OPERATION

**Read all Safety Precautions before operating your new attachment.
Refer to your machine's operator's manual for attachment operation.**

The 10707 and/or 10709 series Snow Push was designed to move large volumes of snow efficiently. It can also be used for waste water, manure, feed lot and food cleanup.

The Snow Push removes even the heaviest snow without leaving windrows and the optional pull back assembly that is available on the 10709 series allows you to get next to fences and buildings to pull snow away cleanly.

The 10707 series with the rubber edge is ideal for getting a cleaner surface when using for waste water, manure, feed lot and food cleanup.

The 10709 with cutting edge trip system allows you to glide over manholes and curb obstructions without losing gathered material.

REPLACING THE RUBBER EDGE

As the rubber edge wears down to approximately 1/8" exposed, the rubber edge should be inverted or replaced.

1. Loosen all nuts and remove the clamp plate(s).
2. Remove the rubber edge and either flip over to utilize the second edge or replace with a new rubber edge if both of the original edges are worn or damaged.
3. Replace the clamp plate(s), tighten all nuts to a snug fit to make sure that the clamp plates and rubber edge are properly seated. Torque to 75 ft.lbs. Begin by tightening the nuts in the center section and then the wing sections.

OPTIONAL PULL BACK ASSEMBLY INSTALLATION

Installing the optional pull back assembly will allow you to rotate the Snow Push forward and move material away from a wall or obstacle. The pull back assembly does not need to be removed to obtain maximum production of the Snow Push.

Before installing the pull back assembly onto your Snow Push, park the prime mover on a level surface with the Snow Push securely attached. Lower the attachment to the ground, turn off the engine, remove the key and apply the brakes.

1. Install the rubber edge to the pull back frame using the required clamp plates, the 2-1/2" long bolts and 1/2" flat washers, lock washers and hex nuts provided. Torque to 75 ft.lbs.
2. Position the pull back frame onto the top of the Snow Push aligning the side and back mounting holes. Secure in place using the six 1-1/2" long bolts and the remaining 1/2" flat washers, lock washers and hex nuts provided. Torque to specification.



**Operate the attachment only when properly seated at the operator's station.
Reduce speed when driving over rough terrain, on a slope, or turning, to avoid
overturning the vehicle.**

**Before exiting the prime mover, lower the Snow Push to the ground, turn off
the prime mover's engine, remove the key and apply the brakes.**

**Do not detach loader from prime mover with the attachment installed.
Equip loader with materials bucket when detaching.**

MAINTENANCE



KNOW YOUR EQUIPMENT

Know your equipment's capabilities, dimensions and operations before operating. Visually inspect your equipment before you start, and never operate equipment that is not in proper working order with all safety devices intact. Check all hardware to ensure it is tight. Make certain that all locking pins, latches, and connection devices are properly installed and secured. Remove and replace any damaged, fatigued, or excessively worn parts. Make certain all safety decals are in place and are legible. Keep decals clean, and replace them if they become worn and hard to read.

BEFORE EACH USE

- Make sure that all nuts and bolts are in place and properly tightened.
- Make sure that all other fasteners are in place and are performing their specified function.
- Make sure that all safety signs are in place, are clean, and are legible.
- Replace any damaged parts and excessively worn parts.

REPLACEMENT OF THE RUBBER EDGE ON SNOW PUSH

As the rubber edge wears down to approximately 1/8" exposed, the rubber edge should be inverted or replaced.

1. Park the prime mover on a hard level surface with the Snow Push properly attached.
2. Securely block up the scraper so the rubber edge is approximately 6"-8" above the ground and turn off the engine, remove the key and apply the brakes.
3. Loosen all nuts and remove the clamp plate(s).
4. Remove the rubber edge and either flip over to utilize the second edge or replace with a new rubber edge if both of the original edges are worn or damaged.
5. Replace the clamp plate(s), tighten all nuts to a snug fit to make sure that the clamp plates and rubber edge are properly seated. Torque to 75 ft.lbs. Begin by tightening the nuts in the center section and then the wing sections.

REPLACEMENT OF THE RUBBER EDGE ON PULL BACK ASSEMBLIES

As the rubber edge wears down on the pull back assembly it should be inverted or replaced.

1. Park the prime mover on a hard level surface with the Snow Push properly attached.
2. Turn off the engine, remove the key and apply the brakes.
3. Loosen all nuts and remove the clamp plate(s).
4. Remove the rubber edge and either flip over to utilize the second edge or replace with a new rubber edge if both of the original edges are worn or damaged.
5. Replace the clamp plate(s), tighten all nuts to a snug fit to make sure that the clamp plates and rubber edge are properly seated. Torque to 75 ft.lbs.

MAINTENANCE

MAINTENANCE RECORD

Use this log to record maintenance performed on the attachment.

Date	Maintenance Procedure Performed	Performed by	Comments

SERVICE

WARNING! DO NOT MODIFY MACHINE OR ATTACHMENTS



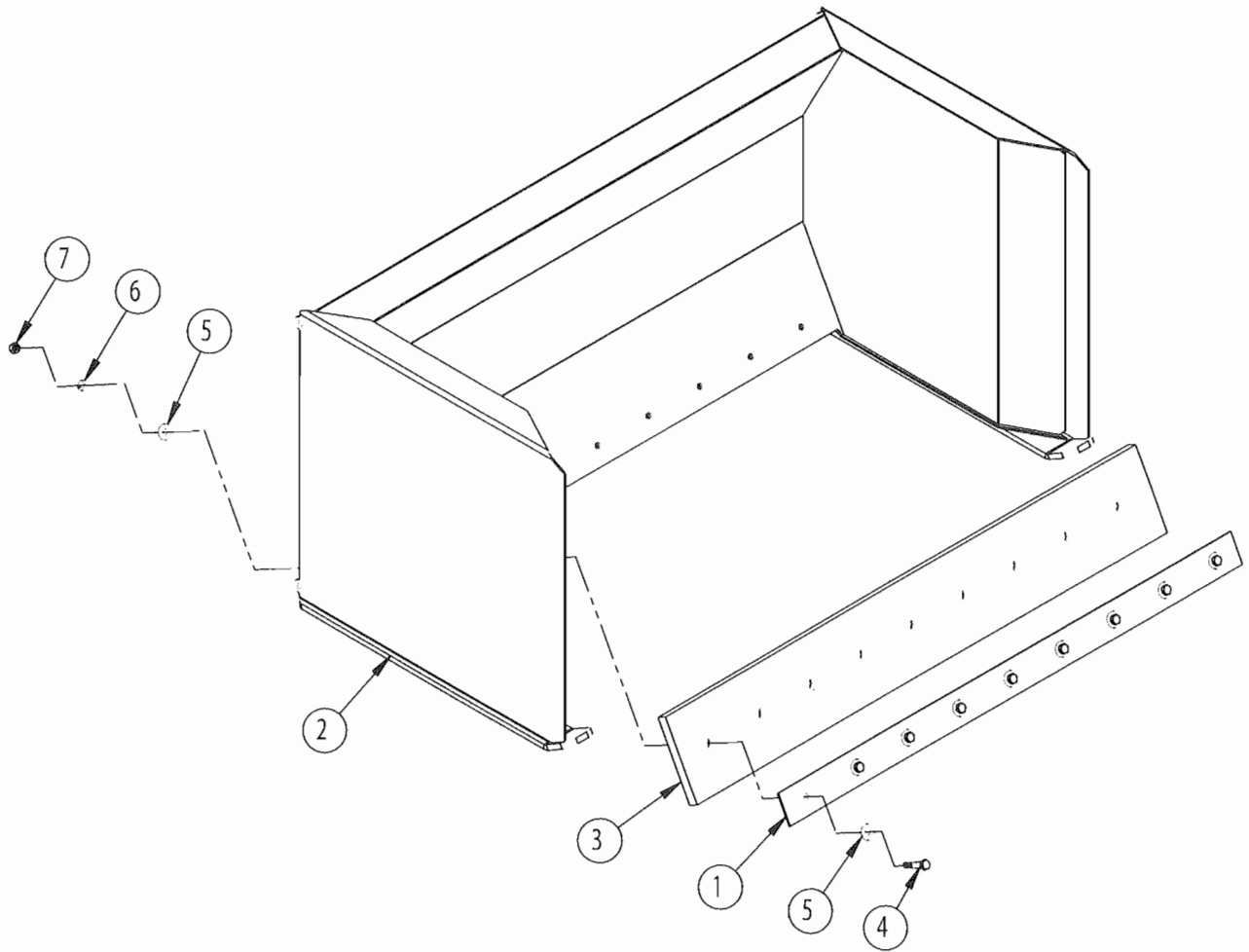
Modifications may weaken the integrity of the and may impair the function, safety, life, and performance of the . When making repairs, use only the manufacturer's genuine parts, following authorized instructions. Other parts may be substandard in fit and quality. Never modify any ROPS (Roll Over Protection Structure) or FOPS (Falling Object Protective Structure) equipment or device. Any modifications must be authorized in writing by the manufacturer.

STORAGE

IMPORTANT Prolonged pressure on the rubber edge will deform the rubber edge and decrease the effectiveness of the scraping action.

When removing this product from your prime mover, place your Snow Push such that there is no pressure on the rubber edge. Prolonged pressure on the rubber edge will deform the rubber edge and decrease the effectiveness of the scraping action.

10707 SERIES SNOW PUSH PARTS ILLUSTRATION

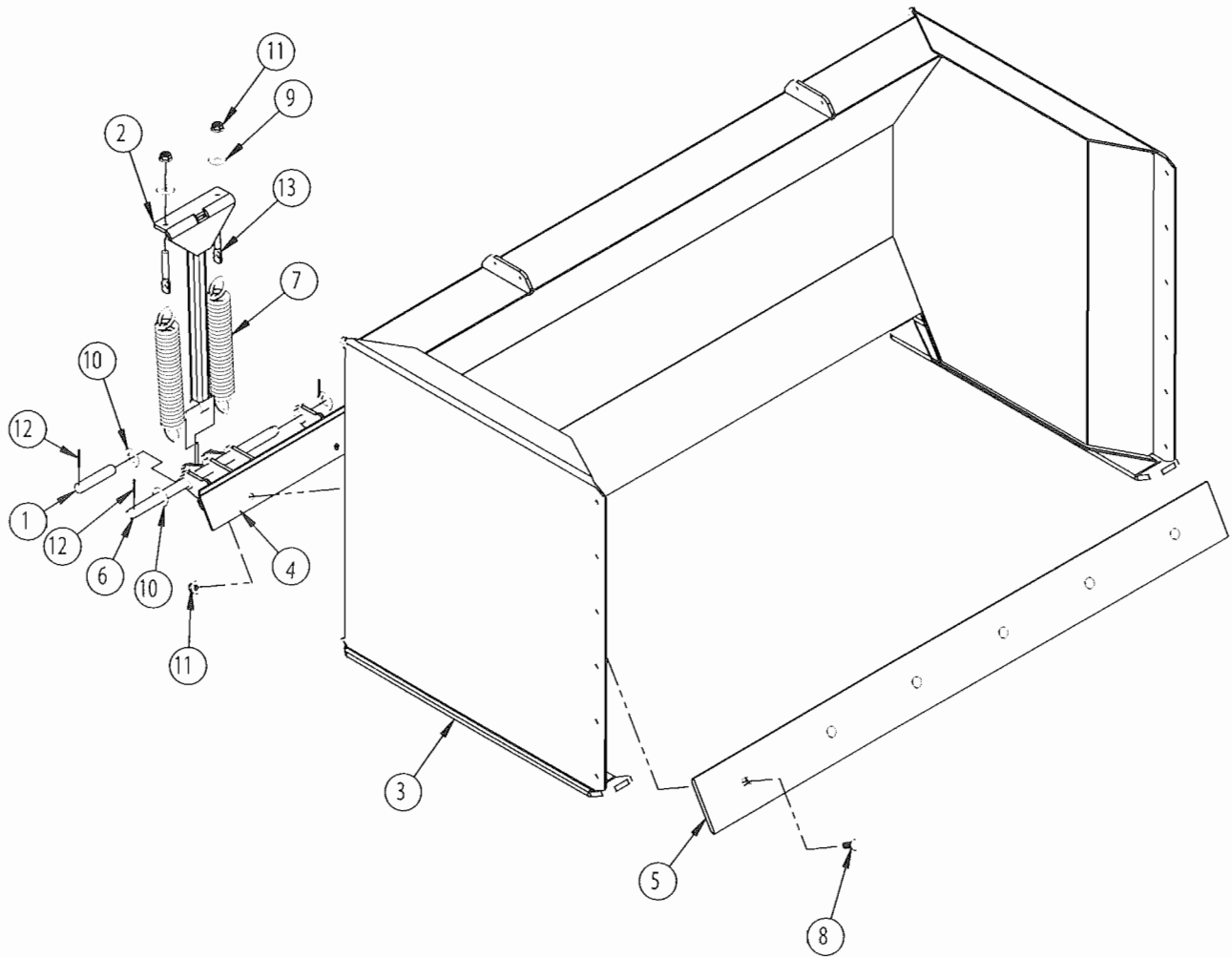


10707 SERIES SNOW PUSH PARTS LIST

ITEM	QTY.	10707-60	10707-72	10707-84	10707-96	DESCRIPTION
1	1	13-52545	13-52537	13-52546	13-51941	Edge Strap
					13-52476	
2	1	13-52819	13-52529	13-52533	13-52477	Mold Board Weldment
3	1	13-52823	13-52539	13-52538	13-52467	Rubber Edge 1" x 8"
4	varies	(9)	(11)	(13)	(15) RHW1409	Grade 5 Hex Head Cap Screw 1/2" x 2-1/2"
5	varies	(18)	(22)	(26)	(30) RHW5462	Grade 5 Flat Washer USS 1/2"
6	varies	(9)	(11)	(13)	(15) RHW6402	Grade 5 Lock Washer 1/2"
7	varies	(9)	(11)	(13)	(15) RHW7401	Grade 5 Hex Nut 1/2"

NOTE: All parts are the same as 10707-96 except for those parts numbered under the other models.

10709 SERIES SNOW PUSHER PARTS ILLUSTRATION

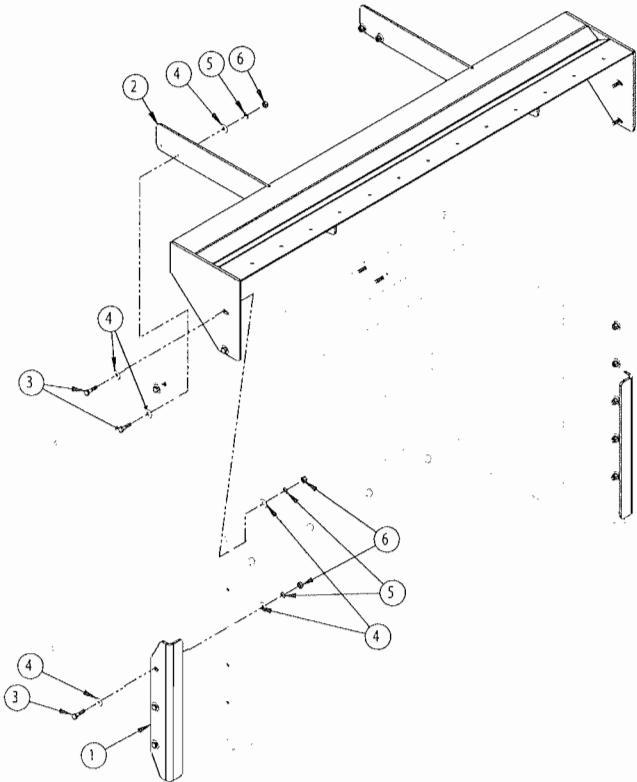


10709 SERIES SNOW PUSH PARTS LIST

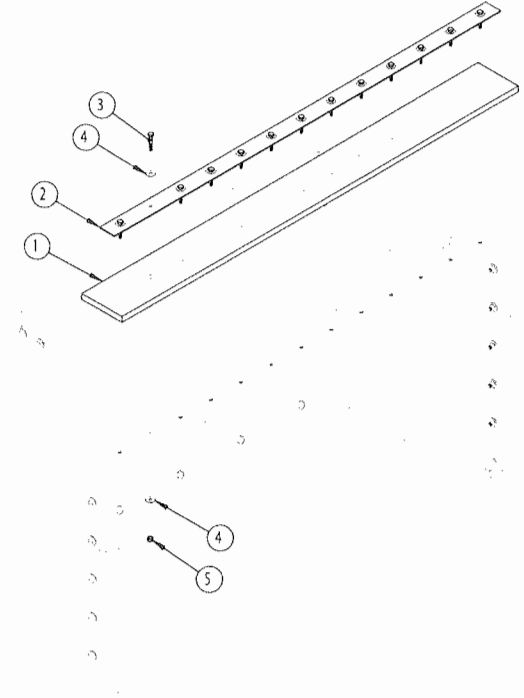
ITEM	QTY.	10709-78	10709-96	10709-08	10709-20	DESCRIPTION
1	2				102666	Rod 1" x 5"
2	2				13-51846	Trip Spring Arm Weldment
3	1	13-52824	13-52500	13-52519	13-52512	Mold Board Weldment
4	1	13-52828	13-52490	13-52523	13-52516	Trip Edge Weldment
5	1	13-52843	102649	102650	13-52528	Cutting Edge 1/2" x 6" x varies
6	2	13-52844	102657		102658	Rod 1" x varies
7	4				LAF6405	Trip Spring
8	varies	(6)	(8)	(9)	(10) RHW2663	Grade 8 Plow Bolt 5/8" x 1-3/4"
9	4				RHW5662	Grade 5 Flat Washer USS 5/8"
10	8				RHW5932	Grade 8 Flat Washer SAE 1"
11	varies	(10)	(12)	(13)	(14) RHW7607	Grade 8 Top Lock Flange Nut 5/8"
12	8				RHW8012	Grade 2 Cotter Pin 1/8" x 2"
13	4				RHW8065	Grade 2 Spade Bolt 5/8" x 4-3/4"

NOTE: All parts are the same as 10709-20 except for those parts numbered under the other models.

OPTIONAL PULL BACK KIT PARTS ILLUSTRATION



OPTIONAL RUBBER EDGE KIT PARTS ILLUSTRATION



OPTIONAL PULL BACK KIT PARTS LIST

ITEM	QTY.	10740 6.5'	10730 8'	10731 9'	10732 10'	DESCRIPTION
1	2				13-52493	Pull Back Shoe
2	1	13-52840	13-52494	13-52548	13-52526	Pull Back Weldment
3	14				RHW1406	Grade 5 Hex Head Cap Screw 1/2" x 1-3/4" Nylock Patch
4	28				RHW5462	Grade 5 Flat Washer USS 1/2"
5	14				RHW6402	Grade 5 Lock Washer 1/2"
6	14				RHW7401	Grade 5 Hex Nut 1/2"

NOTE: All parts are the same as 10732 except for those parts numbered under the other models.

OPTIONAL RUBBER EDGE KIT PARTS LIST

ITEM	QTY.	10741 6.5'	10733 8'	10734 9'	10735 10'	DESCRIPTION
1	1	13-52538	13-52467	13-52540	13-52468	Rubber Edge 1" x 8"
2	1	13-52546	13-51941	13-52545	13-51941	Edge Strap
			13-52476	13-52544	13-52545	
3	varies	(13)	(15)	(17)	(19) RHW1409	Grade 5 Hex Head Cap Screw 1/2" x 2-1/2"
4	varies	(26)	(30)	(34)	(38) RHW5462	Grade 5 Flat Washer USS 1/2"
5	varies	(13)	(15)	(17)	(19) RHW7403	Grade 5 Lock Nut Ctr Dnt 1/2"

NOTE: All parts are the same as 10735 except for those parts numbered under the other models.



PALADIN LIGHT CONSTRUCTION

FFC LIMITED 12 MONTH WARRANTY

Thank you for purchasing a FFC product. Warranty protection is valid only when this Warranty Registration is completed and signed by the customer and dealer, and mailed to FFC. I hereby acknowledge that I have received a copy of the owners Limited Warranty and I accept the terms therein.

For a period of 12 months from date of delivery of product to the original user, FFC, warrants each product to be free from manufacturing defects, subject to the limitations contained in this policy.

This warranty does not apply to defect caused, in whole or in part, by unreasonable use while in the possession of the user, including, but not limited to: failure to properly set up product; failure to provide reasonable and necessary maintenance; normal wear; routine tune ups or adjustments; improper handling or accidents; operation at speed or load conditions contrary to published specification; improper or insufficient lubrication; improper storage. This warranty is also not a guarantee that the performance of each product will meet the expectations of the purchaser.

FFC shall not be liable for consequential damages of any kind, including, but not limited to: consequential labor costs or transportation charges in connection with the replacement or repair of defective parts; lost time or expense which may have accrued because of said defects. In no event shall FFC, Inc.'s total liability hereunder exceed the product purchase price.

FFC makes no warranty with respect to trade accessories or any component or accessory of the product which was not manufactured by FFC, including any purchased components on any kind. These are subject to the warranties of their respective manufacturers. The warranty will be considered void if the product or any part of the product is modified or repaired in any way not expressly authorized by FFC, or if closed components are disassembled prior to return. Closed components include, but are not limited to: gearboxes, hydraulic pumps, motors, cylinders, and actuators.

Our obligation under the warranty is expressly limited, at our option, to the replacement or repair at FFC, of Lee, Illinois, or at a service facility designated by us, or such part or parts as inspection shall disclosed to have been defective. We are not responsible for unauthorized repairs or replacements. Any implied or statutory warranties, including any warranty of merchantability or fitness for a particular purpose, are expressly limited to the duration of this written warranty. We make no other express or implied warranty, nor is anyone authorized to make any in our behalf. This warranty cannot be extended, broadened, or changed except in writing by an authorized officer of FFC.

PLEASE TRI-FOLD AND AFFIX TAPE HERE



PALADIN LIGHT CONSTRUCTION

Warranty Registration Form and Delivery Inspection Report

IMPORTANT! Warranty Void if card is not returned with 10 days.
All Applicable sections **must** be filled in.

This section to be filled out and signed by Dealer at time of delivery.

Warranty Registration

Customer's Name	Dealer's Name
Address	Address
City	City
State	State
Zip	Zip
Phone	CHECK ONE:
Loader / Tractor Model	Construction Use
Delivery Date	Agricultural Use
Model or Part #	Landscape Use
Serial #	Other:

Dealer Inspection *(check items applicable)*

All Decals installed (see operator's manual)	Review Operating and Safety Instructions
Hydraulic fittings tight and free of leaks	Guards and covers in place and secure
Fasteners tight	Does Product Function Properly

I have thoroughly instructed the buyer on the above described equipment. This review included: The Operator's manual content, equipment care, adjustments, safe operation and applicable warranty policy.

Date Dealer's Rep. signature

This section to be completed and signed by the customer

QUALITY ASSURANCE RATING	1	2	3	4	5
Question:	Excellent	Good	Average	Unsatisfactory	Poor
Quality of Product: Appearance					
Construction					
Quality of Service					
Value (Priced Fairly)					
Does it perform as claimed					

FFC Local Dealer

The above described equipment and Operator's Manual have been received by me and I have been thoroughly instructed as to care, adjustments, safe operation and applicable warranty policy.

Date: Owner's signature

NOTE! Make one copy each for the dealer's and owner's records. Mail original to FFC.

Form MR00000-0000 Rev. 10/08

