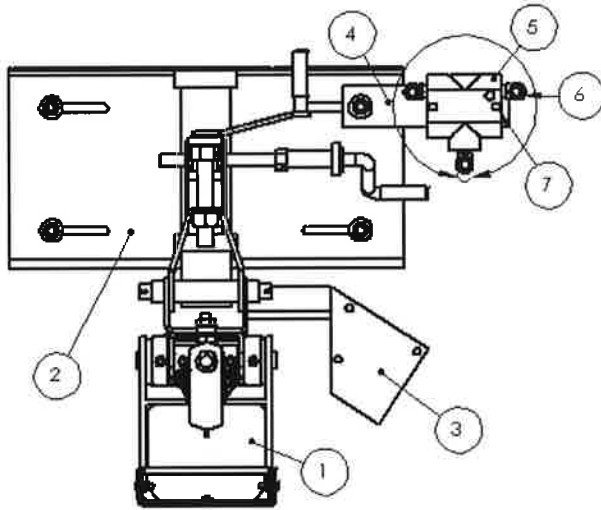
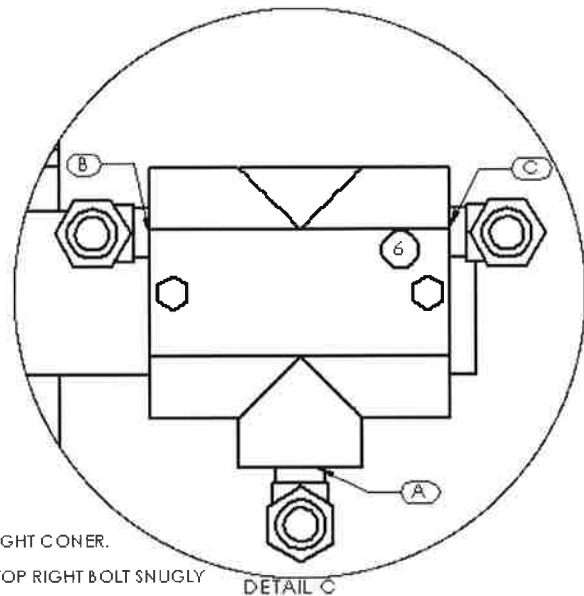
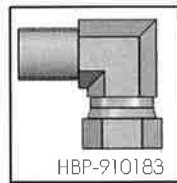




SKID-STEER FLOW DIVIDER INSTALLATION



ITEM NO.	PART NUMBER	QTY.
1	DRIVER	1
2	BASE PLATE	1
3	SHORT CHANNEL	1
4	FLOW DIVIDER BRACKET	1
5	FLOW DIVIDER	1
6	HBP-910183	3
7	0.25 x 2.5	2



- TO MOUNT THE FLOW DIVIDER BRACKET TO THE BASE PLATE BY
1. REMOVING THE WASHER, LOCK WASHER, AND NUT FROM THE TOP RIGHT CORNER.
 2. PLACE THE BRACKET ON TOP OF THE PLATE OVER THE BOLT.
 3. REATTACH THE WASHER, LOCK WASHER AND NUT BACK ON TO THE TOP RIGHT BOLT SNUGLY

1. Attach Flow Divider to the installed Flow Divider Mounting Bracket with the 2 ¼" bolts and nuts.
2. Insert hose fitting (HBP-910183) in each port (A, B, &C) with swivel fitting in the "Up" position.
3. Attach ½" x 10' pressure hose (SM-0236-P) to the hose fitting (HBP-910183) at Port A. Then attach the other end of the pressure hose to the Skid-Steer pressure hose port using appropriate quick coupler provided.
4. Attach ½" x 18" pressure hose (LF-1-H) to hose fitting (HBP-910183) installed in Port B. Then attach other end of pressure hose to port marked "IN" or "P" on Post Driver control Valve.
5. Attach ½" x 10' pressure hose (SM-0236-P) to hose fitting (HBP-910183) installed in Port C (Priority Port). Then attach other end of Pressure hose (SM-0236-P) to return using the remaining quick coupler.