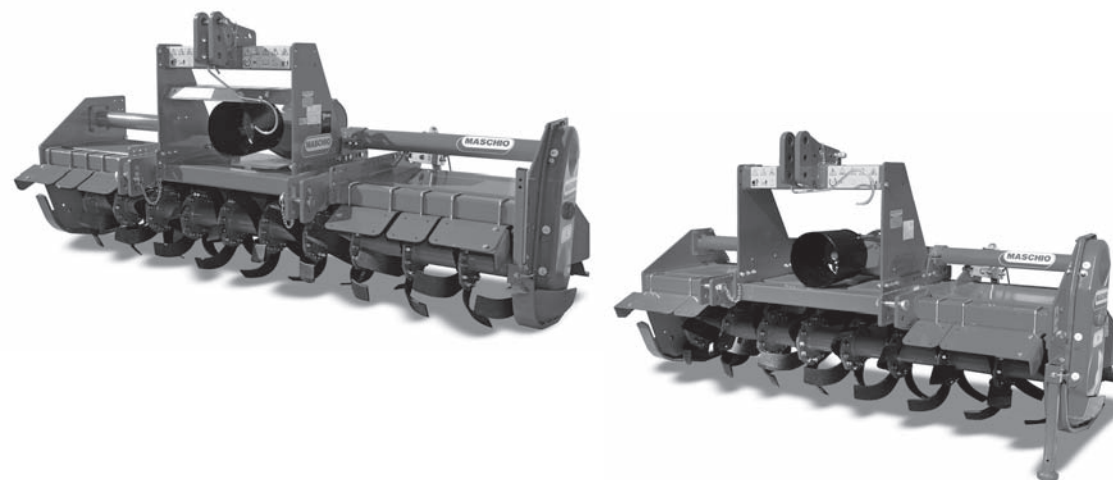




CE^{*)}



MASCHIO GASPARDO S.p.A.



B-C

Cod. F07010713

2011-06

- *) Valido per Paesi UE
- *) *Valid for EU member countries*
- *) Gilt für EU-Mitgliedsländer
- *) *Valable dans les Pays UE*
- *) Válido para países UE

- IT** USO E MANUTENZIONE / PARTI DI RICAMBIO
- GB** USE AND MAINTENANCE / SPARE PARTS
- DE** GEBRAUCH UND WARTUNG / ERSATZTEILE
- FR** EMPLOI ET ENTRETIEN / PIECES DETACHEES
- ES** EMPLEO Y MANTENIMIENTO / PIEZAS DE REPUESTO

1.0 IDENTIFICAZIONE

Ogni singola macchina, è dotata di una targhetta di identificazione (A pagina 7), i cui dati riportano:

- 1) Indirizzo del Costruttore.
- 2) Tipo della macchina.
- 3) Modello della macchina.
- 4) Numero di matricola.
- 5) Anno di costruzione.
- 6) Peso standard.

Si consiglia di trascrivere i propri dati sulla matricola qui sotto rappresentata con la data di acquisto (7) ed il nome del concessionario (8).

1.0 IDENTIFICATION

Each individual machine has an identification plate (A page 7) indicating the following details:

- 1) The Manufacturer's address.
- 2) Machine type.
- 3) Machine model.
- 4) Serial number.
- 5) Year of manufacture.
- 6) Standard weight.

You are advised to note down your data on the form below, along with the date of purchase (7) and the dealer's name (8).

1.0 IDENTIFICATION

Chaque machine est identifiée par une plaque (A page 7) sur laquelle sont indiqués:

- 1) Adresse du Constructeur.
- 2) Type de la machine.
- 3) Modèle de la machine.
- 4) Numéro de série.
- 5) Année de fabrication.
- 6) Poids standard.

Il est conseillé d'écrire vos coordonnées sur le talon représenté ci-dessous avec la date d'achat (7) et le nom du concessionnaire (8).

1.0 IDENTIFIZIERUNG

Jedes Maschine ist mit einem Typenschild versehen (A Seite 7), auf dem die folgenden Daten stehen:

- 1) Anschrift des Herstellers.
- 2) Typ des Gerätes.
- 3) Modell des Gerätes.
- 4) Serien-Nummer.
- 5) Baujahr.
- 6) Standardgewicht.

Die Kenndaten der eigenen Maschinen, die auf dem Typenschild stehen, sollten hier unten eingetragen werden. Sie bestehen aus dem Kaufdatum (7) und dem Namen des Vertragshändlers (8).

1.0 IDENTIFICACION

Cada máquina posee una placa de identificación (A página 7). Que exponen los siguientes datos:

- 1) Dirección de la fabrica constructora.
- 2) Tipo de máquina.
- 3) Modelo de máquina.
- 4) Número de matrícula.
- 5) Año de fabricación.
- 6) Peso estándar.

Se recomienda anotar los propios datos en la ficha que abajo se muestra con la fecha de compra (7) y el nombre del concesionario (8).

MASCHIO GASPARDO	
MASCHIO GASPARDO S.p.A. (1) Via Marcello, n. 73 - 35011 Campodarsego (PD) - ITALY	
TIPO	(2)
MOD.	(3) PESO (6) Kg
MATR.	(4)
Raccomandati Oil:	AGIP ROTRA MP 85W/140 AGIP GR MU EP 2
	CE (5)
	ANNO DI FABBRICAZIONE

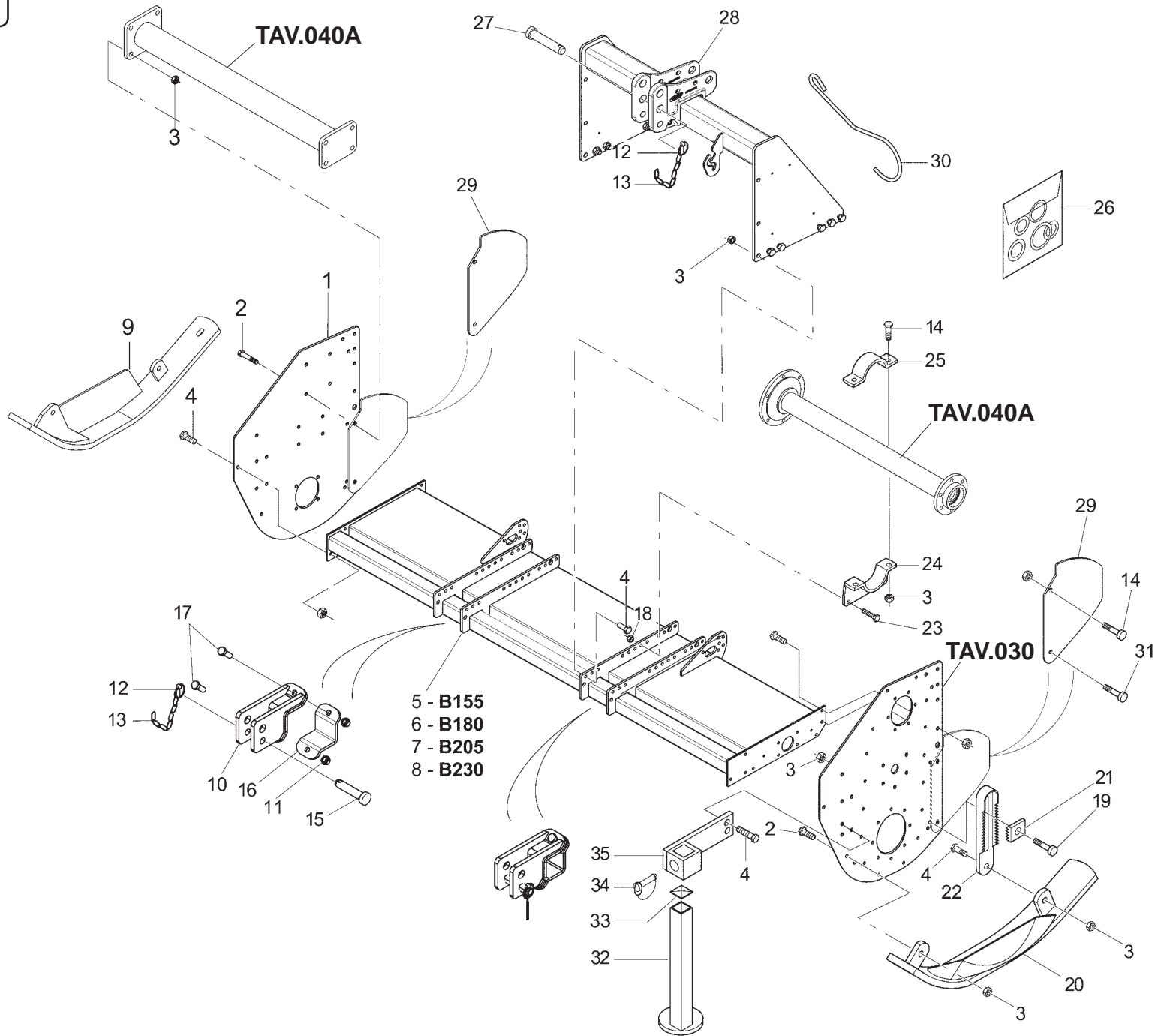
(7)

(8)

PARTI DI RICAMBIO
SPARE PARTS
ERSATZTEILE
PIECES DÉTACHÉES
PIEZAS DE REPUESTO

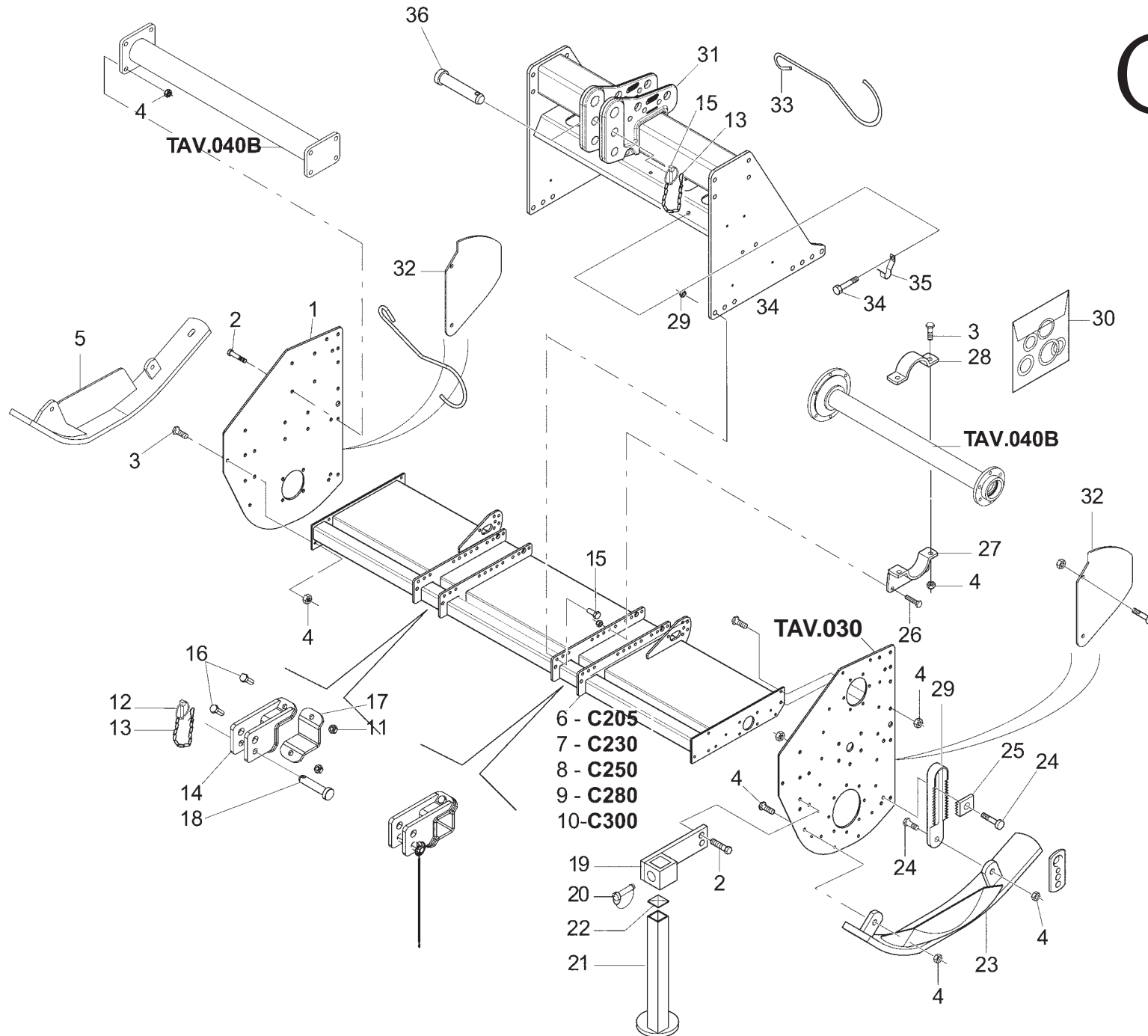
TAV.010A

B

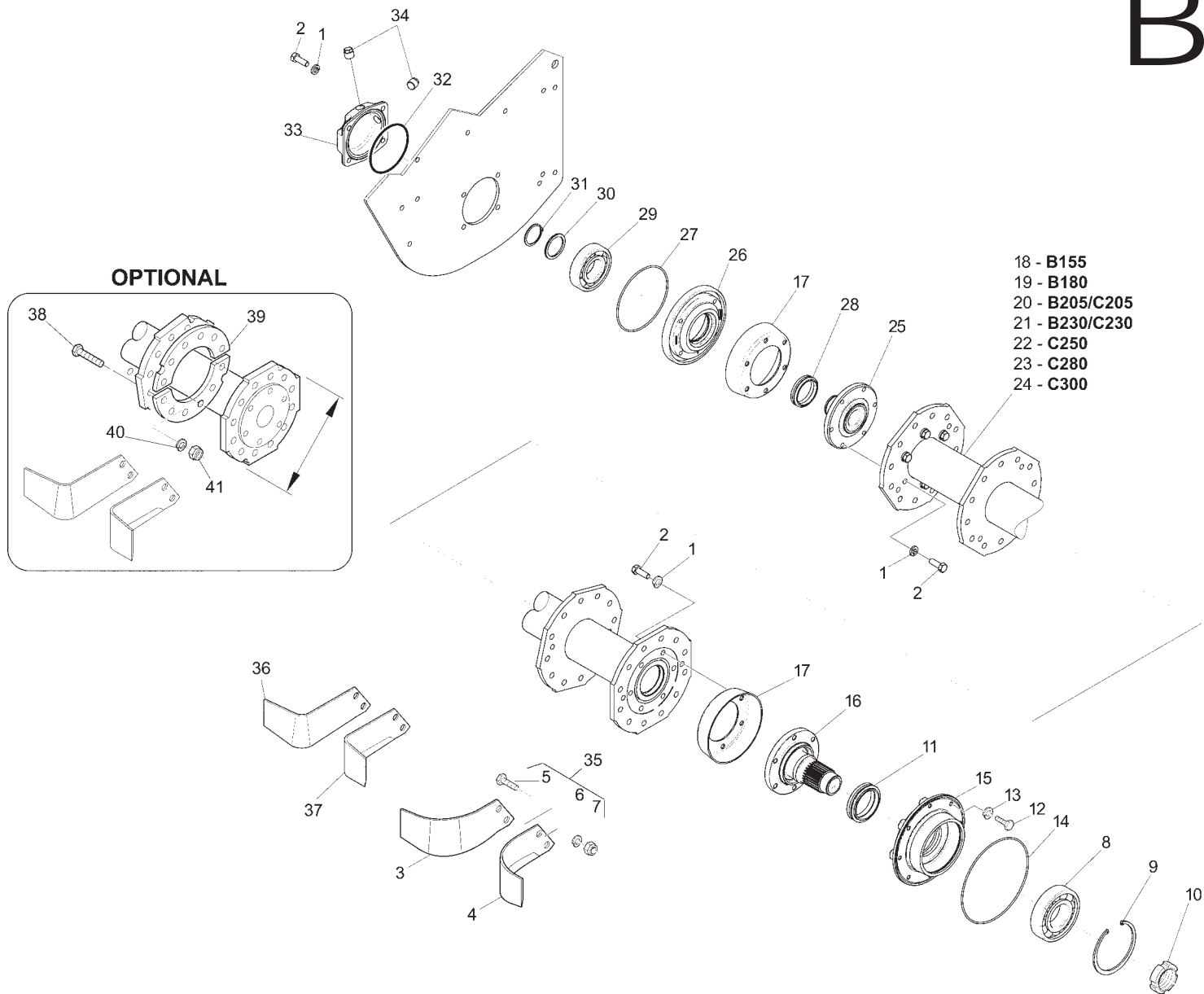


POS	CODICE	DESCRIZIONE	DESCRIPTION	DESCRIPTION	BENENNUNG	DESCRIPCION
1	M53400501	FIANCATA L.E.	EXTERNAL SIDE PANEL	COTE EXTERIEURE	AUSSENSEITENWAND	FLANCO LADO EXTERNO
2	F01010288	VITE M12X1,25X35 U5740 8.8 ZN	SCREW M12X1,25X35 U5740 8.8 ZN	VIS M12X1,25X35 U5740 8.8 ZN	SCHR.M12X1,25X35 U5740 8.8 ZN	TORN.M12X1,25X35 U5740 8.8 ZN
3	F01220047	DADO M12X1,25 D980 8 ZN	NUT M12X1,25 D980 8 ZN	ECROU M12X1,25 D980 8 ZN	MUTTER M12X1,25 D980 8 ZN	TUERCA M12X1,25 D980 8 ZN
4	F01010283	VITE M12X1,25X30 U5740 8.8 ZN	BOLT M 12X1,25X30	VIS M 12X1,25X30	SCHRAUBE M 12X1,25X30	TORNILLO M 12X1,25X30
5	M53415500	COMPOSTO TELAIO B C MOD 155	COMPLETE FRAME MOD.155	CHASSIS COMPL. MOD.155	KOMPL.RAHMEN MOD.155	TELAR COMPL. MOD.155
6	M53418500	COMPOSTO TELAIO B C MOD 180	COMPLETE FRAME MOD.180	CHASSIS COMPL. MOD.180	KOMPL.RAHMEN MOD.180	TELAR COMPL. MOD.180
7	M53420500	COMPOSTO TELAIO B C MOD 205	COMPLETE FRAME MOD.205	CHASSIS COMPL. MOD.205	KOMPL.RAHMEN MOD.205	TELAR COMPL. MOD.205
8	M53423500	COMPOSTO TELAIO B C MOD 230	COMPLETE FRAME MOD.230	CHASSIS COMPL. MOD.230	KOMPL.RAHMEN MOD.230	TELAR COMPL. MOD.230
9	M74100456	SLITTA LATO ESTERNO	EXTERNAL SIDE SKID	GLISSIERE	GLEITKUFE AUSSENSEITE	TRINEO LADO EXTERNO
10	M66100527	COMPATTACCO BARRE	STIRRUP	ATTELAGE BARRE	SCHUTZHOLM VERBINDUNG	ATAQUE BARRA
11	F01220081	DADO M18X 1,5 D980 8 ZN	SELF LOCKING NUT M18X1,5 980V	ECROU AUTOBL. M18X1,5 980-V	SELBSTSP.MUTT. M18X1,5 980-V	DADO AUTOBL. M18X1,5 980-V
12	F02200529	SPINA SCATTO D.11 ZN	SNAP PIN D.11	FICHE A DETENTE D.11	EINRASTSTIFT D.11	CLAVIJA DE MUELLE D.11
13	M58100930	CATENELLA L=476	ASSEMBLY CHAIN DMP L=476	CHAINE L=476	KETTE L=476	CADENA L=476
14	F01010291	VITE M12X1,25X40 U5740 8.8 ZN	SCREW M12X1,25X40 U5740 8.8 ZN	VIS M12X1,25X40 U5740 8.8 ZN	SCHR.M12X1,25X40 U5740 8.8 ZN	TORN. M12X1,25X40 U5740 8.8 ZN
15	F20100074	PERNO D28 L109 C43 SPINA 3°P.	PIN FOR BAR LINKAGE	GOUJON ATTELAGE BARRE	VERB.BOLZEN SCHUTZHOLM	PERNO ATAQUE BARRA
16	M26100514	STAFFA ATTACCO BARRE	U BOLT	BLOCAGE	U BOLZEN	BLOQUEO
17	F01010364	VITE M18X1,5 X50 U5740 8.8 ZN	SCREW M18X1,5X50 U5740 8.8 ZN	VIS M 18X1,5X50	SCHRAUBE M 18X1,5X50	TORNILLO M 18X1,5X50
18	F01220059	DADO M14X 1,5 D980 8 ZN	NUT M14X 1,5 D980 8 ZB	ECROU M14X 1,5 D980 8 ZB	MUTTER M14X 1,5 D980 8 ZB	TUERCA M14X 1,5 D980 8 ZB
19	F01010057	VITE M12X1,25X60 U5738 8.8 ZN	SCREW M12X1,25X60 U5738 8.8 ZN	VIS M12X1,25X60 U5738 8.8 ZN	SCHRA.M12X1,25X60 U5738 8.8 ZN	TORN. M12X1,25X60 U5738 8.8 ZN
20	M74100455	SLITTA LATO TRASMISSIONE	TRASMISSION SIDE SKID	GLISSIERE	GLEITKUFE TRASMISSIONSEITE	TRINEO LADO TRASMISSION
21	M01110532	PIASTRINA REGISTRO SLITTE	ADJUSTER TOOTHED PLATE	PLAQUETTE DE REGISTRE GLISSIER	REGULIERUNGSPLATTE	PLAQUITA REGISTRO TRINEO
22	M64400520	REGISTRO SLITTA	SKID ADJUSTER	REGISTRE GLISSIERE	GLEITLAGERREGULIERUNG	REGISTRO TRINEO
23	F01010317	VITE M14X1,5X 35 U5740 8.8 ZN	SCREW M14X1,5X35 U5740 8.8 ZN	VIS M 14X1,5X35	SCHRAUBE M 14X1,5X35	TORNILLO M 14X1,5X35
24	M53400211	STAFFA	U BOLT	BLOCAGE	U BOLZEN	BLOQUEO
25	M37100546	STAFFA ATT.MOBILE	STIRRUP	BLOCAGE	U BOLZEN	BLOQUEO
26	F03100170	KIT GUARNIZIONI MODELLO "B2"	GASKET SET	SERIE JOINTS	DICHTUNGSSATZ	SERIE JUNTAS
27	F20100063	PERNO D25 L91 C40 ZN	PIN D25 L91 C43 ZN	BOULON D25 L91 C43 ZN	BOLZEN D25 L91 C43 ZN	PERNO D25 L91 C43 ZN
28	M20400567	CASTELLO 3° PUNTO L.760	COMPLETE 3RD POINT	3EME POINT COMPL.	3. PUNKT KOMPLETT	TERCER PUNTO COMPL.
29	M53400738	PROLUNGA FIANCATA	SIDE PROTECTION	PROTECTION LATER.ARRIERE	HINTERE SCHUETZUNG	PROTECCION TRASERA
30	F20120400	GANCIO SOSTEGNO CARDANO	SHAFT HOOK SUPPORT	SUPPORT CARDAN	GELENKWELLE - HACKEN	SOPORTE CARDAN
31	F01010283	VITE M12X1,25X30 U5740 8.8 ZN	BOLT M 12X1,25X30	VIS M 12X1,25X30	SCHRAUBE M 12X1,25X30	TORNILLO M 12X1,25X30
32	M56400922	COMP. PIEDINO	SUPPORT	SUPPORT FRAISE	FRASE STANDER	SOPORTE FRESADORA
33	F05100025	TAPPO AD ALETTE 35X35 PLT NERO	PLUG	BOUCHON FERMETURE	VERSCHLUSSPFROPFEN	TAPONCLAUSURA
34	F02200562	SPINA SICUR. D. 8X70 ZN	SNAP PIN D.8X 70 ZN	FICHE EL. D.8X70 ZN	SCHERSTIFT D.8X 70 ZN	CLAVIJA D.8X 70 ZN
35	M66100556	COMP. SUPPORTO PIEDINO	SUPPORT	SUPPORT	HALTER	SOPORTE

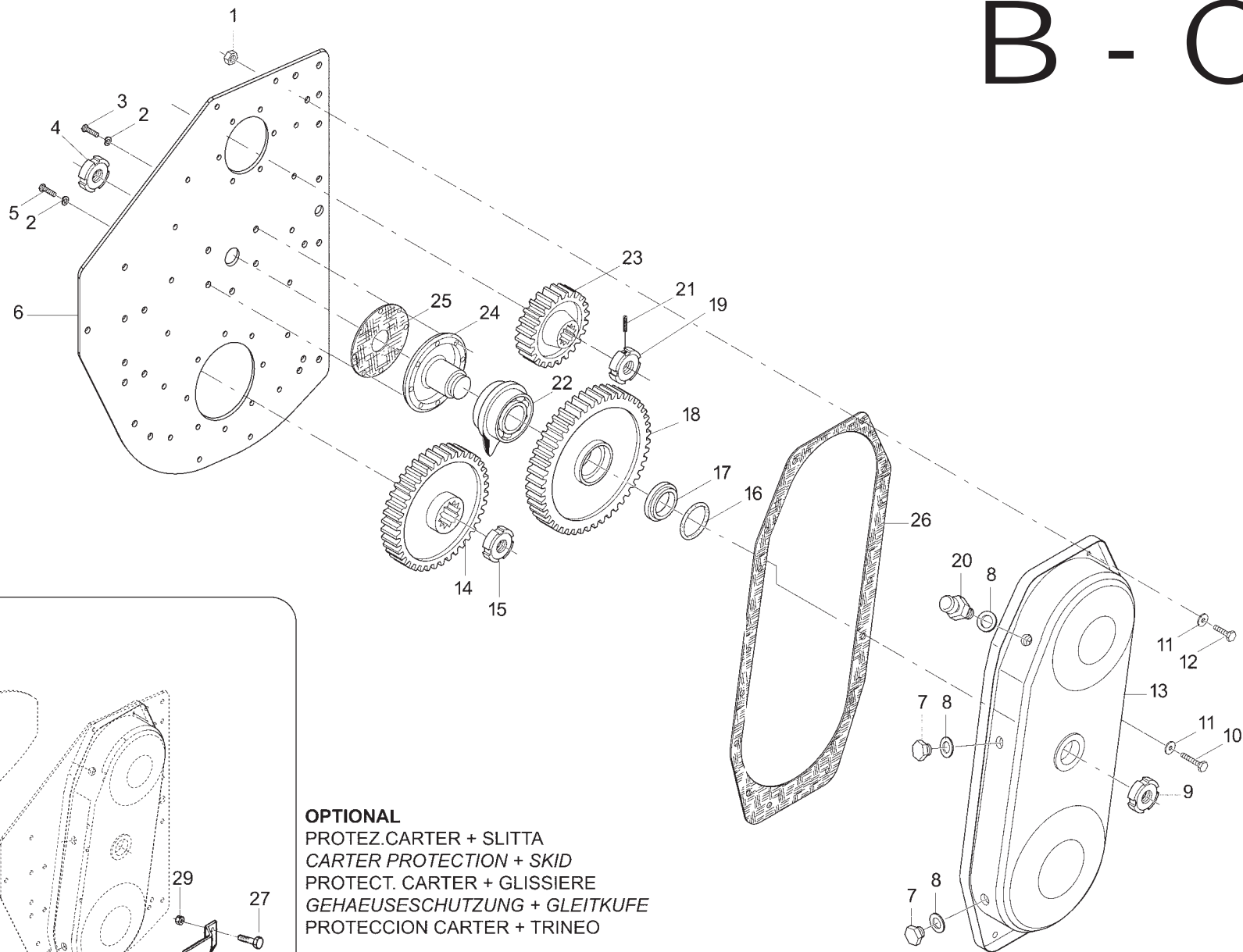
TAV.010B



POS	CODICE	DESCRIZIONE	DESCRIPTION	DESCRIPTION	BENENNUNG	DESCRIPCION
1	M53400501	FIANCATA L.E.	EXTERNAL SIDE PANEL	COTE EXTERIEURE	AUSSENSEITENWAND	FLANCO LADO EXTERNO
2	F01010283	VITE M12X1,25X30 U5740 8.8 ZN	BOLT M 12X1,25X30	VIS M 12X1,25X30	SCHRAUBE M 12X1,25X30	TORNILLO M 12X1,25X30
3	F01010288	VITE M12X1,25X35 U5740 8.8 ZN	SCREW M12X1,25X35 U5740 8.8 ZN	VIS M12X1,25X35 U5740 8.8 ZN	SCHR.M12X1,25X35 U5740 8.8 ZN	TORN.M12X1,25X35 U5740 8.8 ZN
4	F01220047	DADO M12X1,25 D980 8 ZN	NUT M12X1,25 D980 8 ZN	ECROU M12X1,25 D980 8 ZN	MUTTER M12X1,25 D980 8 ZN	TUERCA M12X1,25 D980 8 ZN
5	M74100456	SLITTA LATO ESTERNO	EXTERNAL SIDE SKID	GLISSIERE	GLEITKUFE AUSSENSEITE	TRINEO LADO EXTERNO
6	M53420500	COMPOSTO TELAIO B C MOD 205	COMPLETE FRAME MOD.205	CHASSIS COMPL. MOD.205	KOMPL.RAHMEN MOD.205	TELAR COMPL. MOD.205
7	M53423500	COMPOSTO TELAIO B C MOD 230	COMPLETE FRAME MOD.230	CHASSIS COMPL. MOD.230	KOMPL.RAHMEN MOD.230	TELAR COMPL. MOD.230
8	M53425500	COMPOSTO TELAIO B C MOD 250	COMPLETE FRAME MOD.250	CHASSIS COMPL. MOD.250	KOMPL.RAHMEN MOD.250	TELAR COMPL. MOD.250
9	M53428500	COMPOSTO TELAIO B C MOD 280	COMPLETE FRAME MOD.280	CHASSIS COMPL. MOD.280	KOMPL.RAHMEN MOD.280	TELAR COMPL. MOD.280
10	M53430500	COMPOSTO TELAIO B C MOD 300	COMPLETE FRAME MOD.300	CHASSIS COMPL. MOD.300	KOMPL.RAHMEN MOD.300	TELAR COMPL. MOD.300
11	F01220081	DADO M18X 1,5 D980 8 ZN	SELF LOCKING NUT M18X1,5 980V	ECROU AUTOBL. M18X1,5 980-V	SELBSTSP.MUTT. M18X1,5 980-V	DADO AUTOBL. M18X1,5 980-V
12	F02200529	SPINA SCATTO D.11 ZN	SNAP PIN D.11	FICHE A DETENTE D.11	EINRASTSTIFT D.11	CLAVIJA DE MUELLE D.11
13	M58100930	CATENELLA L=476	ASSEMBLY CHAIN DMP L=476	CHAINE L=476	KETTE L=476	CADENA L=476
14	M66100513	COMP. STAFFA ATTACCO BARRE	STIRRUP	ATTELAGE BARRE	SCHUTZHOLM VERBINDUNG	ATAQUE BARRA
15	F20110032	VITE M14X1,5 X 40 SPEC 10.9 ZD	BOLT M14X1,5X40 10.9	VIS M 14X1,5X40	SCHRAUBE M 14X1,5X40	TORNILLO M 14X1,5X40
16	F01010364	VITE M18X1,5 X50 U5740 8,8 ZN	SCREW M18X1,5X50 U5740 8.8 ZN	VIS M 18X1,5X50	SCHRAUBE M 18X1,5X50	TORNILLO M 18X1,5X50
17	M26100514	STAFFA ATTACCO BARRE	U BOLT	BLOCAGE	U BOLZEN	BLOQUEO
18	F20100074	PERNO D28 L109 C43 SPINA 3°P.	PIN FOR BAR LINKAGE	GOUJON ATTELAGE BARRE	VERB.BOLZEN SCHUTZHOLM	PERNO ATAQUE BARRA
19	M66100556	COMP. SUPPORTO PIEDINO	SUPPORT	SUPPORT	HALTER	SOPORTE
20	F02200562	SPINA SICUR. D. 8X70 ZN	SNAP PIN D.8X 70 ZN	FICHE EL. D.8X70 ZN	SCHERSTIFT D.8X 70 ZN	CLAVIJA D.8X 70 ZN
21	M56400922	COMP. PIEDINO	SUPPORT	SUPPORT FRAISE	FRASE STANDER	SOPORTE FRESADORA
22	F05100025	TAPPO AD ALETTE 35X35 PLT NERO	PLUG	BOUCHON FERMETURE	VERSCHLUSSPFROPFEN	TAPONCLAUSURA
23	M74100455	SLITTA LATO TRASMISSIONE	TRANSMISSION SIDE SKID	GLISSIERE	GLEITKUFE TRASMISSIONSEITE	TRINEO LADO TRASMISSION
24	F01010057	VITE M12X1,25X60 U5738 8.8 ZN	SCREW M12X1,25X60 U5738 8.8 ZN	VIS M12X1,25X60 U5738 8.8 ZN	SCHRA.M12X1,25X60 U5738 8.8 ZN	TORN. M12X1,25X60 U5738 8.8 ZN
25	M01110532	PIASTRINA REGISTRO SLITTE	ADJUSTER TOOTHED PLATE	PLAQUETTE DE REGISTRE GLISSIER	REGULIERUNGSPLATTE	PLAQUITA REGISTRO TRINEO
26	F20110032	VITE M14X1,5 X 40 SPEC 10.9 ZD	BOLT M14X1,5X40 10.9	VIS M 14X1,5X40	SCHRAUBE M 14X1,5X40	TORNILLO M 14X1,5X40
27	M54400211	STAFFA ATT.MOBILE	STIRRUP	BLOCAGE	U BOLZEN	BLOQUEO
28	M66100514	STAFFA	U BOLT	BLOCAGE	U BOLZEN	BLOQUEO
29	M64400520	REGISTRO SLITTA	SKID ADJUSTER	REGISTRE GLISSIERE	GLEITLAGERREGULIERUNG	REGISTRO TRINEO
30	F03100171	KIT GUARNIZIONI MODELLO "C2"	GASKET SET	SERIE JOINTS	DICHTUNGSSATZ	SERIE JUNTAS
31	M26400590	COMP.CASTELLO 3° PUNTO	COMPLETE 3RD POINT	3EME POINT COMPL.	3. PUNKT KOMPLETT	TERCER PUNTO COMPL.
32	M53400738	PROLUNGA FIANCATA	SIDE PROTECTION	PROTECTION LATER.ARRIERE	HINTERE SCHUETZUNG	PROTECCION TRASERA
33	F20120400	GANCIO SOSTEGNO CARDANO	SHAFT HOOK SUPPORT	SUPPORT CARDAN	GELENKWELLE - HACKEN	SOPORTE CARDAN
34	F01010281	VITE M12X1,25X25 U5740 8.8 ZN	BOLT M 12X1,25X25	VIS M 12X1,25X25	SCHRAUBE M 12X1,25X25	TORNILLO M 12X1,25X25
35	F20120401	FASCETTA FERMA CARDANO ZN	SHAFT HOOK SUPPORT	SUPPORT CARDAN	GELENKWELLE HACKEN HALTER	SOPORTE CARDAN
36	F20100133	PERNO D25 L122 C43 ZN	PIN D25 L122 C43 ZN	BOULON D25 L122 C43 ZN	BOLZEN D25 L122 C43 ZN	PERNO D25 L122 C43 ZN

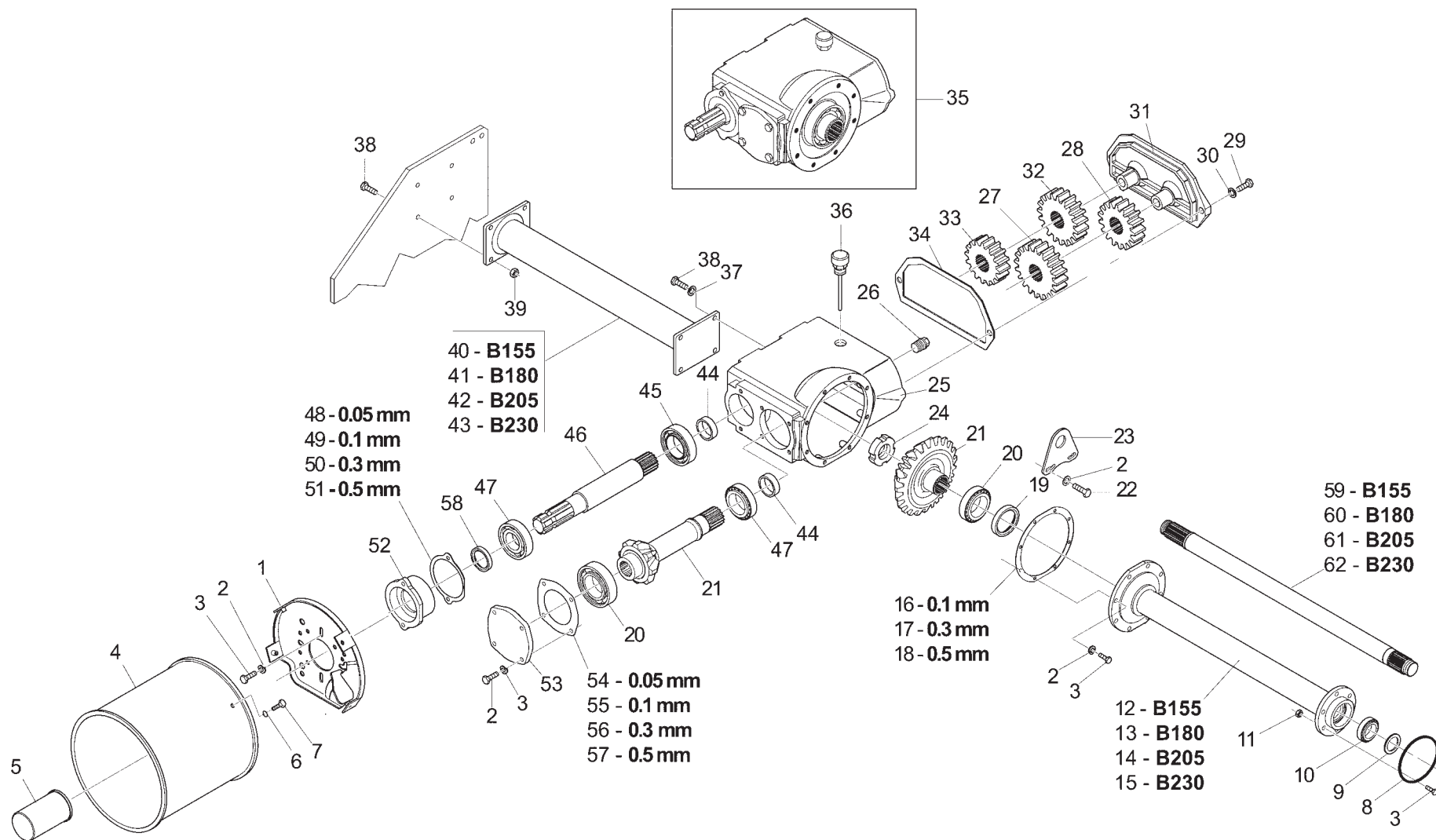


POS	CODICE	DESCRIZIONE	DESCRIPTION	DESCRIPTION	BENENNUNG	DESCRIPCION
1	F01480123	ROS.G 12,5X22,9X 4 EX.C70 ZN	WASHER M12 ZGP EXTRA P.	RONDELLE M12 ZGP EXTRA P.	UNTERLEGSSCHEIBE M12 ZGP EXTRA	ARANDELA M12 ZGP EXTRA P.
2	F20110021	TE.8G.M12X1,25X35F.18 ZP SPEC.	BOLT M 12X1,25X35	VIS M 12X1,25X35	SCHRAUBE M 12X1,25X35	TORNILLO M 12X1,25X35
3	M01110426	ZAPPA AD ELICA DX MOD. B	R. HEL. BLADE 80X8 B/BI/C/SC	LAME HELICE DRT 80X8 B/BI/C/SC	BOGENMESSER R 80X8 B/BI/C/SC	AZADA HELICE D.80X8 B/BI/C/SC
4	M01110427	ZAPPA AD ELICA SX MOD. B	L. HEL. BLADE 80X8 B/BI/C/SC	LAME HELICE GCH 80X8 B/BI/C/SC	BOGENMESSER L 80X8 B/BI/C/SC	AZADA HELICE I.80X8 B/BI/C/SC
5	F20110032	VITE M14X1,5 X 40 SPEC 10.9 ZD	BOLT M14X1,5X40 10.9	VIS M 14X1,5X40	SCHRAUBE M 14X1,5X40	TORNILLO M 14X1,5X40
6	F01480134	ROS.G 15X26,5X4,5 EX.C70 ZN	GROWER 15X26,5X4,5 EX.C70 ZN	RONDELLE GROWER 15X26,5X4,5	SCHEIBE GROWER 15X26,5X4,5	ARANDELA GROWER 15X26,5X4,5
7	F01200089	DADO M14X 1,5 U5587 6S ZN	NUT M14X 1,5 U5581 6S ZB	ECROU M14X 1,5 U5587 6S ZB	MUTTER M14X 1,5 U5587 6S ZB	TUERCA M14X 1,5 U5587 6S ZB
8	F04010229	CUSC.D60 D130 B31 6312	BEARING D60 D130 B31 6312	ROULEMENT 6312	LAGER 6312	COJINETE 6312
9	F02050515	ANELLO E. D1130X 4 U7437 C70	SEEGER RING D.130	BAGUE SEEGER D.130	SEEGERRING D.130	ANILLO SEEGER D.130
10	F202010155	GHIERA AU.GUP M50X1,5 T.4H ZN	SELF LOCKING NUT M50X1,5	COLLIER AUTOBL. M50X1,5	SELBSTSP. NUTMUTTER M50X1,5	VIOLA AUTOBL. M50X1,5
11	F03010879	ANELLO ANFIBIO 5850 GNL	WATER-PROOF OIL SEAL 5850	WATER-PROOF PARE-HUILE 5850	WATER-PROOF OELABDICHTUNG 5850	WATER-PROOF PARA-ACEITE 5850
12	F01010246	VITE M10X1,25X25 U5740 10.9 DL	SCREW M10X1,25X25 U5740 10.9DL	VIS M 10X1,25X25	SCHRAUBE M 10X1,25X25	TORNILLO M 10X1,25X25
13	F01480112	ROSET.GROWER M10 ZN EXTRA P.	GROWER WASHER D.10	RONDELLE GROWER D.10	SCHEIBE GROWER D.10	ARANDELA GROWER D.10
14	F03010900	ANELLO OR 209.14X3.53 DI. NBR	GASKET OR 209.14X3.53 DI. NBR	BAGUE OR 209.14X3.53 DI. NBR	RING OR 209.14X3.53 DI.	ANILLO OR 209.14X3.53 DI. NBR
15	M53400404	SUPP. CUSC ROTORE L.T. GNL	ROTOR SUPPORT TRANSMISS. SIDE	SUPPORT ROTOR COTE TRANSMISS.	ROTORHALTER ANTRIEBSEITE	SOPORTE ROTOR LADO TRASMISION
16	M66100416	MOZZO LATO TRASMISSIONE	DRIVE SIDE HUB	MOYEU ROTOR COTE TRANSMISSION	TRANSMISSIONSEITE ROTORNABE	CUBO ROTOR LADO TRASMISION
17	M01110411	COPRIPOLVERE GRANDE	EXTERIOR DUST COVER	PARA-POUSSIERE	STAUBDECKEL	PARAPOLVO
18	M26115425	ROTORE PORTAZAPPE	BLADES HOLDER ROTOR 155	ROTOR PORTE COUTEAUX 155	MESSERHALTERROTOR 155	ROTOR PORTA-AZADAS 155
19	M26118425	ROTORE PORTAZAPPE	BLADES HOLDER ROTOR 180	ROTOR PORTE COUTEAUX 180	MESSERHALTERROTOR 180	ROTOR PORTA-AZADAS 180
20	M26120425	ROTORE PORTAZAPPE	BLADES HOLDER ROTOR 205	ROTOR PORTE COUTEAUX 205	MESSERHALTERROTOR 205	ROTOR PORTA-AZADAS 205
21	M26123425	ROTORE PORTAZAPPE	BLADES HOLDER ROTOR 230	ROTOR PORTE COUTEAUX 230	MESSERHALTERROTOR 230	ROTOR PORTA-AZADAS 230
22	M26125425	ROTORE PORTAZAPPE	BLADES HOLDER ROTOR 250	ROTOR PORTE COUTEAUX 250	MESSERHALTERROTOR 250	ROTOR PORTA-AZADAS 250
23	M26128425	COMPOSTO ROTORE PORTAZAPPE	BLADES HOLDER ROTOR 280	ROTOR PORTE COUTEAUX 280	MESSERHALTERROTOR 280	ROTOR PORTA-AZADAS 280
24	M26130425	COMP. ROTORE PORTAZAPPE 300	BLADES HOLDER ROTOR 300	ROTOR PORTE COUTEAUX 300	MESSERHALTERROTOR 300	ROTOR PORTA-AZADAS 300
25	M53400405	MOZZO LATO ESTERNO	EXT. SIDE HUB	MOYEU ROTOR COTE EXTERIEUR	AUSSENSEITE ROTORNABE	CUBO ROTOR LADO EXTERNO
26	M53400403	SUPP. CUSC L.E. GNL	ROTOR SUPPORT SIDE PANEL	SUPPORT ROTOR PARTIE LATERALE	ROTORHALTER SEITENWAND	SOPORTE ROTOR FLANCO
27	F03010760	ANEL. OR 158.34X3,53 DI.NBR	GASKET OR 158.34X3,53 DI.NBR	BAGUE OR 158.34X3,53 DI.NBR	RING OR 158.34X3,53 DI	ANILLO OR 158.34X3,53 DI.NBR
28	F03010861	ANELLO ANFIBIO 0440 GNL	WATER-PROOF OIL SEAL 0440	WATER-PROOF PARE-HUILE 0440	WATER-PROOF OELABDICHTUNG 0440	WATER-PROOF PARA-ACEITE 0440
29	F04010226	CUSC.D50 D110 B27 6310	BEARING D50 D110 B27 6310	ROULEMENT 6310	LAGER 6310	COJINETE 6310
30	M01110416	ANELLO RINF.MOZ.R.50X63,5X3,8	SEEGER STIFFENER RING	ANNEAU DE RENFORCEMENT SEEGER	SEEGERRING	ANILLO REFUERZO SEEGER
31	F02050203	ANELLO E. DE 50X 2 U7435 C70	SEEGER RING D50X2 U7435 C70	ANEL SEEGER D50X2 U7435 C70	SEEGER RING D50X2 U7435 C70	ANILLO SEEGER D50X2 U7435 C70
32	F03010720	ANELLO OR 117,07X3,53 NBR	GASKET OR 4462	JOINT 4462	DICHTUNG DOWTY 4462	ANILLO OR
33	M66100433	COPERCHIO FIANC.GNL	COVER	COUVERCLE	DECKEL	TAPA
34	F03150630	TAPPO SCARICO 1/2"GAS CON.	OIL OUTLET PLUG 1/2"	BOUCHON DE VIDANGE HUILE 1/2"	OELABLASSPFROPFEN 1/2"	TAPON DESCARGADO ACEITE 1/2"
35	M00567201	VITE M14X1,5X40 + D. + R.10.9	BOLT 14X1.5X40 + NUT + GROWER	VIS 14X1,5X40 10.9+ECROU+ROND	BOLZEN M14X1,5X40 + MUTTER + S	TORNILLO 14X1,5X40 + D.+ G.
36	M01110428	ZAPPA A SQ. DX MOD. B	R. SQR. BLADE 80X8 B/BI/C/SC	LAME EQU. DRT 80X8 B/BI/C/SC	WINKELMESSER R 80X8 B/BI/C/SC	AZADA ESC. D 80X8 B/BI/C/SC
37	M01110429	ZAPPA A SQ. SX MOD. B	L. SQR. BLADE 80X8 B/BI/C/SC	LAME EQU. GCH 80X8 B/BI/C/SC	WINKELMESSER L 80X8 B/BI/C/SC	AZADA ESC. I 80X8 B/BI/C/SC
38	F01010085	VITE M14X 1,5X55 U5738 10.9 ZD	BOLT M 14X1,5X55	VIS M 14X1,5X55	SCHRAUBE M 14X1,5X55	TORNILLO M 14X1,5X55
39	M01110450	CONTROFLANGIA TIPO B	COUNTER-FLANGE B TYPE	CONTRE-FLASQUE TYPE B	GEGENDFLANSCH	BRIDA TIPO B
40	F01480134	ROS.G 15X26,5X4,5 EX.C70 ZN	GROWER 15X26,5X4,5 EX.C70 ZN	RONDELLE GROWER 15X26,5X4,5	SCHEIBE GROWER 15X26,5X4,5	ARANDELA GROWER 15X26,5X4,5
41	F01200089	DADO M14X 1,5 U5587 6S ZN	NUT M14X 1,5 U5581 6S ZB	ECROU M14X 1,5 U5587 6S ZB	MUTTER M14X 1,5 U5587 6S ZB	TUERCA M14X 1,5 U5587 6S ZB

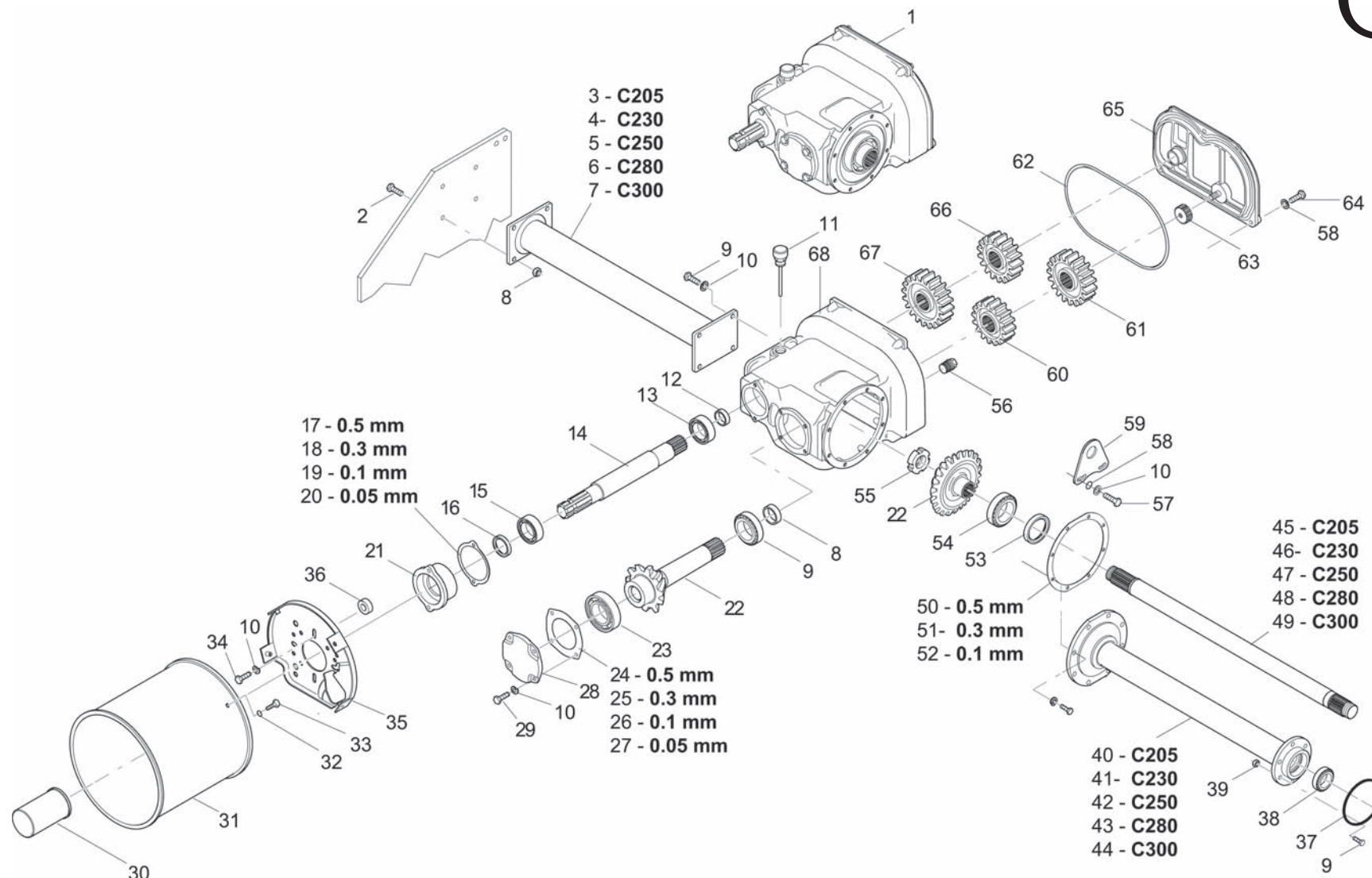


OPTIONAL
 PROTEZ.CARTER + SLITTA
 CARTER PROTECTION + SKID
 PROTECT. CARTER + GLISSIERE
 GEHAEUSESCHUTZUNG + GLEITKUFE
 PROTECCION CARTER + TRINEO

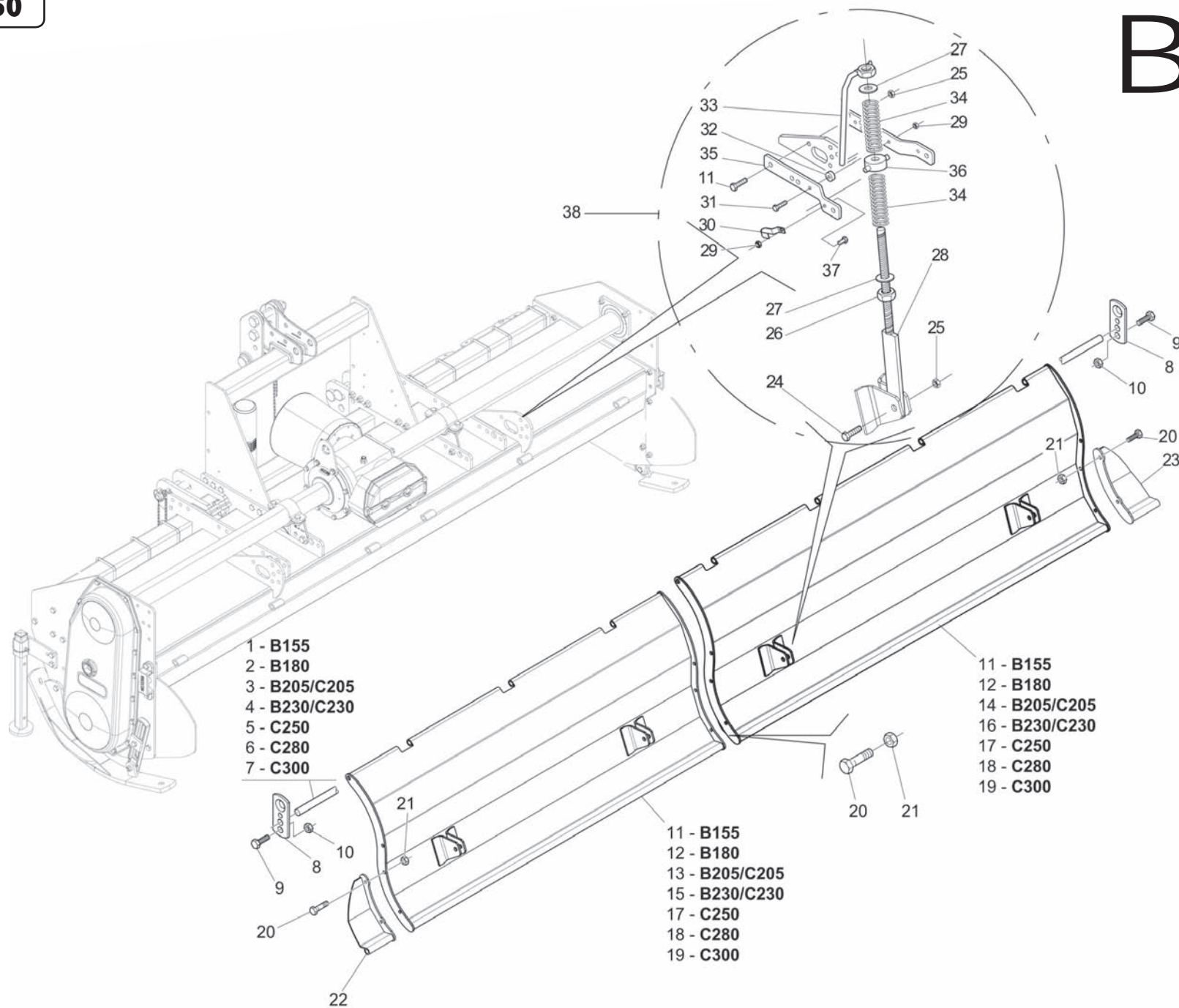
POS	CODICE	DESCRIZIONE	DESCRIPTION	DESCRIPTION	BENENNUNG	DESCRIPCION
1	F01220034	DADO M10X1,25 D980 8 ZN	NUT M10X1,25 D980 8 ZB	ECRO.M10X1,25 D980 8 ZB	MUTT.M10X1,25 D980 8 ZB	TUER.M10X1,25 D980 8 ZB
2	F01480123	ROS.G 12,5X22,9X 4 EX.C70 ZN	WASHER M12 ZGP EXTRA P.	RONDELLE M12 ZGP EXTRA P.	UNTERLEGSCHIEBE M12 ZGP EXTRA	ARANDELA M12 ZGP EXTRA P.
3	F01010052	VITE M12X1,25X40 U5738 8.8 DL	BOLT M 12X1,25X40	VIS M 12X1,25X40	SCHRAUBE M 12X1,25X40	TORNILLO M 12X1,25X40
4	F02010022	GHIERA AU.GUK M35X1,5 T.4H ZN	SELF LOCKING NUT M35X1,5	COLLIER AUTOBL. M35X1,5	SELBSTSP. NUTMUTTER M35X1,5	VIROLA AUTOBL. M35X1,5
5	F01010285	VITE M12X1,25X30 U5740 8.8 DL	SCREW M12X1,25X30 U5740 8.8 ZN	VIS M 12X1,25X30	SCHRAUBE M 12X1,25X30	TORNILLO M 12X1,25X30
6	M53400502	FIANCATA L.T.	TRANSMISSION SIDE PANEL	COTE TRANSMISSION	ANTRIEBSSEITENWAND	FLANCO LADO TRASMISION
7	F03150625	TAPPO CARICO/SCARICO M18X1,5	OIL IN/OUT CAP M18X1,5	BOUCHON HUILE CHARGEMEN	ENTLUEFTERPFROPFEN	CORCHO OLEO
8	M26100321	GUARNIZ.D=26 D=18 S=1,5 ALLUM.	GASKET	JOINT	DICHTUNG	JUNTA
9	F02010056	GHIERA AU.GUK M50X1,5 T.4H ZN	SELF LOCKING NUT M50X1,5	COLLIER AUTOBL. M50X1,5	SELBSTSP. NUTMUTTER M50X1,5	VIROLA AUTOBL. M50X1,5
10	F01010250	VITE M10X1,25X30 U5740 8.8 ZN	BOLT M10X1,25X30 U5740 8.8 ZB	VIS M10X1,25X30 U5740 8.8 ZB	SCHR.M10X1,25X30 U5740 8.8 ZB	TORN.M10X1,25X30 U5740 8.8 ZB
11	F01410064	ROS.M10 10,5X 20X 2 U6592 ZN	WASHER M10 10,5X20X2 U6592 ZN	RONDELL.M10 10,5X20X2 U6592 ZN	SCHEIBE M10 10,5X20X2 U6592 ZN	ARAND. M10 10,5X20X2 U6592 ZN
12	F01010244	VITE M10X1,25X25 U5740 8.8 ZN	SCREW M10X1,25X25 U5740 8.8 ZN	VIS M 10X1,25X25	SCHRAUBE M 10X1,25X25	TORNILLO M 10X1,25X25
13	M66100311	COMP.CARTER TRASM. LAT. INGR.	GEARS COVER	CARTER ENGRENAGES	ZAHNRAEDERGEHAEUSE	CARTER ENGRANAJE
14	M66100303	RUOTA DENTATA Z=31 M8 CL.9	LOWER GEAR Z=31	ENGRENAGE INFERIEUR Z=31	ZAHNRAD Z=31	ENGRANAJE INFERIOR Z=31
15	F02010155	GHIERA AU.GUP M50X1,5 T.4H ZN	SELF LOCKING NUT M50X1,5	COLLIER AUTOBL. M50X1,5	SELBSTSP. NUTMUTTER M50X1,5	VIROLA AUTOBL. M50X1,5
16	F03010576	ANELLO OR 50,52X1,78 NBR	GASKET OR 50,52X1,78 NBR	BAGUE OR 50,52X1,78 NBR	RING OR 50,52X1,78 NBR	ANILLO OR 50,52X1,78 NBR
17	M26100996	DISTANZIALE CUSCINETTO	SPACER	ENTRETOISE	DISTANZSTUECK	DISTANCIADOR
18	M66100302	RUOTA DENTATA Z=31 M8 CL.9	CENTRAL GEAR Z=31	ENGRENAGE CENTR. Z=31	ZENTR. ZAHNRAD Z=31	ENGRANAJE CENTR. Z=31
19	M26100214	GHIERA AUTOBLOC.GUP 45X1,5	SELF LOCKING NUT	COLLIER AUTOBL.	SELBSTSP. NUTMUTTER	VIROLA AUTOBL.
20	M29100717	TAPPO SFIATO	OIL BREATHER PLUG	BOUCHON DE SOUPIRAIL	ENTLUEFTERPFROPFEN	TAPON RESPIRADERO
21	F01050086	VITE M 6X1 X 10 U5927 12.9 BR	SCREW M 6X1 X 10 U5927 12.9 BR	VIS M 6X10	SCHRAUBE M 6X10	TORNILLO M 6X10
22	M26100327	KIT CUSCINETTI C	BEARING SET	KIT ROULEMENT	LAGERSATZ	KIT COJINETE
23	M66100301	RUOTA DENTATA Z=23 M8 CL.9	UPPER GEAR Z=23	ENGRENAGE SUPERIEUR Z=23	OBERES ZAHNRAD Z=23	ENGRANAJE SUPERIOR Z=23
24	M26100997	MOZZO PER INGRANAGGIO CENTRALE	GEAR HUB	MOYEU ENGRENAGE	ZAHNRADNABE	CUBO ENGRANAJE
25	M13100301	GUARN.MOZZO INGRAN.RINV.	GASKET	JOINT	DICHTUNG	JUNTA
26	M66100314	GUARNIZIONE CARTER LATERALE	CARTER GASKET	JOINT CARTER	DICHTUNG	JUNTA CARTER
27	F01010281	VITE M12X1,25X25 U5740 8.8 ZN	BOLT M 12X1,25X25	VIS M 12X1,25X25	SCHRAUBE M 12X1,25X25	TORNILLO M 12X1,25X25
28	M04110193	COMP.CUFFIA PROTEZ.CARTER B	CARTER PROTECTION COVER	PROTECTEUR CARTER	GEHAEUESCHUTZKASTEN	COFIA PROTECCION CARTER
29	F01220047	DADO M12X1,25 D980 8 ZN	NUT M12X1,25 D980 8 ZN	ECROU M12X1,25 D980 8 ZN	MUTTER M12X1,25 D980 8 ZN	TUERCA M12X1,25 D980 8 ZN
30	M53400542	SLITTA STRETTA L. ESTERNO	EXTERNAL SIDE SKID	GLISSIERE	GLEITKUFE AUSSENSEITE	TRINEO LADO EXTERNO
31	F01010053	VITE M12X1,25X45 U5738 8.8 ZN	BOLT M 12X1,25X45	VIS M 12X1,25X45	SCHRAUBE M 12X1,25X45	TORNILLO M 12X1,25X45



POS	CODICE	DESCRIZIONE	DESCRIPTION	DESCRIPTION	BENENNUNG	DESCRIPCION	TAV. 040A
1	M37100106	ATTACCO PROTEZIONE	PROTECTION SUPPORT	SUPPORT PROTECTION CARDAN	GELENKWELLENSCHUTZ HALTER	SOPORTE PROTECCION CARDANICO	
2	F01480112	ROSET.GROWER M10 ZN EXTRA P.	GROWER WASHER D.10	RONDELLE GROWER D.10	SCHBEIE GROWER D.10	ARANDELA GROWER D.10	
3	F01010254	VITE M10X1,25X35 U5740 8.8 ZN	BOLT M 10X1,25X35	VIS M 10X1,25X35	SCHRAUBE M 10X1,25X35	TORNILLO M 10X1,25X35	
4	M10100168	PROTEZIONE CARDANO	CARDAN PROTECTION	PROTECTION CARDAN	GELENKWELLENSCHUTZ	PROTECCION CARDANICO	
5	M38100146	MANICOTTO PROTEZIONE PDF 1"3/8	P.T.O. PROTECTION	MANCHON DE PROTECTION P.T.O.	ZAPFWELLENSCHUTZ P.T.O.	MANGIUTO PROTECCION P.T.O.	
6	F01410037	ROS.M6 6,4X12,5X1,6 U6592 ZN	PLANE WASHER D.6	RONDELLE D.6	SCHBEIE D.6	ARANDELA D.6	
7	F01020403	VITE M6X1X16 U5739 8.8 ZN	SCREW M6X1X16 U5739 8.8 ZN	VIS M6X1X16 U5739 8.8 ZN	SCHRAUBE M6X1X16 U5739 8.8 ZN	TORNILLO M6X1X16 U5739 8.8 ZN	
8	F03010720	ANELLO OR 117,07X3,53 NBR	GASKET OR 4462	JOINT 4462	DICHTUNG DOWTY 4462	0	
9	M66100209	DISTANZIALE CUSC. ING. SUP.	SPACER	ENTRETOISE	DISTANZSTUECK	DISTANCIADOR	
10	F04050080	CUSC.D50 D90 T24,75 32210	BEARING D50 D90 T24,75 32210	ROULEMENT D50 D90 T24,75 322	LAGER D50 D90 T24,75 32210	COJINETE D50 D90 T24,75 3221	
11	F01220034	DADO M10X1,25 D980 8 ZB	NUT M10X1,25 D980 8 ZB	ECRO.M10X1,25 D980 8 ZB	MUTT.M10X1,25 D980 8 ZB	TUER.M10X1,25 D980 8 ZB	
12	M53415205	COMP. DIST. L.T. B155C	SPACER TRANSM.SIDE 155	ENTRETOISE C.T.155	DISTANZSTUECK ANTR.SEITE 155	DISTANCIADOR L.T. 155	
13	M53418205	DISTANZ.LATO TRASM. L=765	SPACER TRANSM.SIDE 180	ENTRETOISE C.T.180	DISTANZSTUECK ANTR.SEITE 180	DISTANCIADOR L.T. 180	
14	M53420205	COMP. DIST. L.T. B205C	SPACER TRANSM.SIDE 205	ENTRETOISE C.T.205	DISTANZSTUECK ANTR.SEITE 205	DISTANCIADOR L.T. 205	
15	M53423205	COMP. DIST. L.T. B230C	SPACER TRANSM.SIDE 230	ENTRETOISE C.T.230	DISTANZSTUECK ANTR.SEITE 230	DISTANCIADOR L.T. 230	
16	M01110207	GUARNIZ. DIST.LATO CAMB.1/10	GASKET MM.0,1	JOINT ENTRETOISE MM.0,1	DISTANZSTUECK DICHTUNG MM.0,1	JUNTA DISTANCIADOR MM.0,1	
17	M01110217	GUARNIZ.DIST.LATO CAMB.3/10	GASKET MM.0,3	JOINT ENTRETOISE MM.0,3	DISTANZSTUECK DICHTUNG MM.0,3	JUNTA DISTANCIADOR MM.0,3	
18	M01110218	GUARNIZ.DIST.LATO CAMB.5/10	GASKET MM.0,5	JOINT ENTRETOISE MM.0,5	DISTANZSTUECK DICHTUNG MM.0,5	JUNTA DISTANCIADOR MM.0,5	
19	F03010319	ANELLO T.AS 60X 75X 8 D3760NBR	RING T.AS 60X 75X 8 D3760 NBR	BAGUE T.AS 60X 75X 8 D3760 NBR	SCHUTZRING 60X75X8 D3760 NBR	ANILLO T.AS 60X 75X 8 D3760NBR	
20	F04050022	CUSC.D60 D110 T23,75 30212	BEARING D60 D110 T23,75 30212	ROULEMENT 30213	LAGER 30212	COJINETE 30212	
21	M01110149	COPIA CONICA PER B	BEVEL GEAR PAIR	COUPLE CONIQUE	KEGELRITZELSATZ	PAR CONICO	
22	F01010026	VITE M10X1,25X40 U5738 8.8 ZN	BOLT M 10X1,25X40	VIS M 10X1,25X40	SCHRAUBE M 10X1,25X40	TORNILLO M 10X1,25X40	
23	M66100114	STAFFA	STIRRUP	ETRIER	BUEGEL	ESTRIBO	
24	F02010144	GHIERA AU.GUP M45X1,5 T.4H ZN	SELF LOCKING NUT M45X1,5	COLLIER AUTOBL. M45X1,5	SUEBSTSP. NUTMUTTER M 45X1,5	VIOLA AUTOBLOCC. M45X1,5	
25	M37100101	CORPO CAMBIO RIDUTTORE B2	GEARBOX	BOITE DE VITESSE	WECHSELGETRIEBEGEHAUESE	CAJA CAMBIO	
26	F03150630	TAPPO SCARICO 1/2"GAS CON.	OIL OUTLET PLUG 1/2"	BOUCHON DE VIDANGE HUILE 1/2"	OELABLASSPFROPFEN 1/2"	TAPON DESCARGADO ACEITE 1/2"	
27	M01110112	INGRANAGGIO CAMB.Z=20 M=6ROSSO	GEAR Z-20	ENGRENAGE Z-20	ZAHNRAD WECHSELGETRIEBE Z-20	ENGRANAJE Z-20	
28	M01110110	INGRANAGGIO CAMB.Z=16 M=6VERDE	GEAR Z-16	ENGRENAGE Z-16	ZAHNRAD WECHSELGETRIEBE Z-16	ENGRANAJE Z-16	
29	F01020476	VITE M10X1,5X30 U5739 8.8 ZN	SCREW M10X1,5 X 30 5739 8.8 ZN	VIS M10X1,5 X 30 5739 8.8 ZN	SCHRA. M10X1,5X 30 5739 8.8 ZN	ORN. M10X1,5 X 30 5739 8.8 ZN	
30	F01410064	ROS.M10 10,5X 20X 2 U6592 ZN	WASHER M10 10,5X20X2 U6592 ZN	RONDELL.M10 10,5X20X2 U6592 ZN	SCHBEIE M10 10,5X20X2 U6592 ZN	ARAND. M10 10,5X20X2 U6592 ZN	
31	M01110104	COPERCHIO CAMBIO PRESSOFUSO	GEARBOX COVER	COUVERCLE BOITE DE VITESSE	WECHSELGETRIEBEDECKEL	TAPA CAMBIO	
32	M01110113	INGRANAGGIO CAMB.Z=22 M=6VERDE	GEAR Z-22	ENGRENAGE Z-22	ZAHNRAD WECHSELGETRIEBE Z-22	ENGRANAJE Z-22	
33	M01110111	INGRANAGGIO CAMB.Z=18 M=6ROSSO	GEAR Z-18	ENGRENAGE Z-18	ZAHNRAD WECHSELGETRIEBE Z-18	ENGRANAJE Z-18	
34	M01110107	GUARNIZ.MM 3 COPERCHIO CAMBIO	3MM GEARBOX COVER-GASKET	OINT FLASQUE SUPPORT MM.0,3	FLANSCHDICHTUNG MM.0,3	JUNTA BRIDA MM.0,3	
35	M66191111	COMP.M. CAMBIO "B2"	GEAR BOX ASSEMBLY	BOITE DE VITESSE	WECHSELGETRIEBGE KOMPL.	CAJA CAMBIO KOMPL.	
36	M33100103	TAPPO SFIATO CON AST.LIV.OLIO	BREATHER PLUG	BOUCHON DE SOUPIRAIL	ENTLUEFTERSTOPFEN	TAPON RESPIRADERO	
37	F01480123	ROS.G 12,5X22,9X 4 EX.C70 ZN	WASHER M12 ZGP EXTRA P.	RONDELLE M12 ZGP EXTRA P.	UNTERLEGSCHBEIE M12 ZGP EXTRA	ARANDELA M12 ZGP EXTRA P.	
38	F01010288	VITE M12X1,25X35 U5740 8.8 ZN	SCREW M12X1,25X35 U5740 8.8 ZN	VIS M12X1,25X35 U5740 8.8 ZN	SCHR.M12X1,25X35 U5740 8.8 ZN	TORN.M12X1,25X35 U5740 8.8 ZN	
39	F01220047	DADO M12X1,25 D980 8 ZN	NUT M12X1,25 D980 8 ZN	ECROU M12X1,25 D980 8 ZN	MUTTER M12X1,25 D980 8 ZN	TUERCA M12X1,25 D980 8 ZN	
40	M66115201	COMP. DIST. L.E. B155C-B130L	OUTER SPACER	ENTRETOISE EXTERIEURE	AUSSENDISTANZSTUECK	DISTANCIADOR EXTERNO	
41	M66118201	COMP. DIST. L.E. B185C-B155L	OUTER SPACER	ENTRETOISE EXTERIEURE	AUSSENDISTANZSTUECK	DISTANCIADOR EXTERNO	
42	M66120201	COMP. DIST. L.E. B205C	OUTER SPACER	ENTRETOISE EXTERIEURE	AUSSENDISTANZSTUECK	DISTANCIADOR EXTERNO	
43	M66123201	COMP. DIST. L.E. B230C-B180L	OUTER SPACER	ENTRETOISE EXTERIEURE	AUSSENDISTANZSTUECK	DISTANCIADOR EXTERNO	
44	M01110108	BUSSOLA DISTANZ.INGRAN.CAMBIO	BUSH SPACER TRANSMISSION	BOUSSOLE D'ENTRETOISE	DISTANZBUUECHSE	BRUJULA DISTANCIADOR ENGRANAJE	
45	F04050072	CUSC.D40 D80 T24,75 32208	BEARING D40 D80 T24,75 32208	ROULEMENT 32208	LAGER 32208	COJINETE 32208	
46	M01110109	ALBERO PRESA DI FORZA	POWER TAKE-OFF SHAFT	ARBRE PRISE DE FORCE	ZAPFWELLE P.D.F.	ARBOL TOMA DE FUERZA	
47	F04050039	CUSC.D40 D90 T25,25 30308	BEARING D40 D90 T25,25 30308	ROULEMENT 30308	LAGER 30308	COJINETE 30308	
48	M01110152	GUARNIZIONE FLANGIA 0,05	GASKET MM.0,05	JOINT FLASQUE MM.0,05	FLANSCHDICHTUNG MM. 0,05	JUNTA BRIDA MM.0,05	
49	M01110106	GUARNIZ. FLANG.SUP.CAMB.1/10	GASKET MM.0,1	JOINT FLASQUE SUPPORT MM.0,1	FLANSCHDICHTUNG MM.0,1	JUNTA BRIDA MM.0,1	
50	M01110134	GUARN.FLANGIA SUP.CAMB.3/10	GASKET MM.0,3	JOINT FLASQUE SUPPORT MM.0,3	FLANSCHDICHTUNG MM.0,3	JUNTA BRIDA MM.0,3	
51	M01110135	GUARN.FLANGIA SUP.CAMB.5/10	GASKET MM.0,5	JOINT FALSQUE SUPPORT MM.0,5	FLANSCHDICHTUNG MM.0,5	JUNTA BRIDA MM.0,5	
52	M66100132	FLANGIA CHIUSURA P.D.F.	BEARING SUPPORT	SUPPORT ROULEMENT	LAGERHALTER	SOPORTE COJINETE	
53	M01110102	COP.CUSCIN.SCATOLA CAMBIO	PINION COVER	COUVERCLE ANTERIEUR	DECKEL	TAPA ANTERIOR PINON	
54	M01110151	GUARNIZIONE FLANGIA 0,05	GASKET MM.0,05	JOINT BOITE DE VITESSE MM.0,05	FLANSCHDICHTUNG MM.0,05	JUNTA BRIDA MM.0,05	
55	M01110105	GUARNIZ.FLANGIA CAMBIO 1/10	GASKET MM.0,1	JOINT BOITE DE VITESSE MM.0,1	FLANSCHDICHTUNG MM.0,1	JUNTA BRIDA MM.0,1	
56	M01110132	GUARNIZ.FLANGIA CAMBIO 3/10	GASKET MM.0,3	JOINT BOITE DE VITESSE MM.0,3	FLANSCHDICHTUNG MM.0,3	JUNTA BRIDA MM.0,3	
57	M01110133	GUARNIZ.FLANGIA CAMBIO 5/10	GASKET MM.0,5	JOINT BOITE DE VITESSE MM.0,5	FLANSCHDICHTUNG MM.0,5	JUNTA BRIDA MM.0,5	
58	F03010110	ANELLO T.A. 40X 60X10 D3760NBR	OIL SEAL 40X60X10	PARE-HUILE 40X60X10	OELABDICHTUNG 40X60X10	PARA-ACEITE 40X60X10	
59	M66115206	ALBERO TRASM.SUP. B155C	TRANSMISSION SHAFT	ARBRE DE TRANSMISSION	ANTRIEBSWELLE	EJE DE TRASMISION	
60	M66118206	ALBERO TRASM.SUP. B180C	TRANSMISSION SHAFT	ARBRE DE TRANSMISSION	ANTRIEBSWELLE	EJE DE TRASMISION	
61	M66120206	ALBERO TRASM.SUP. B205C	TRANSMISSION SHAFT	ARBRE DE TRANSMISSION	ANTRIEBSWELLE	EJE DE TRASMISION	
62	M66123206	ALBERO TRASM.SUP. B-230C	TRANSMISSION SHAFT	ARBRE DE TRANSMISSION	ANTRIEBSWELLE	EJE DE TRASMISION	



POS	CODICE	DESCRIZIONE	DESCRIPTION	DESCRIPTION	BENENNUNG	DESCRIPCION
1	M66291113	GRUPPO CAMBIO COMP.C2 "2000"	GEARBOX C	BOITE DE VITESSE COMPL C2 2000	WECHSELGETRIEBEGEHAEUSE	CAJA CAMBIO
2	F01010288	VITE M12X1,25X35 U5740 8.8 ZN	SCREW M12X1,25X35 U5740 8.8 ZN	VIS M12X1,25X35 U5740 8.8 ZN	SCHR.M12X1,25X35 U5740 8.8 ZN	TORN.M12X1,25X35 U5740 8.8 ZN
3	M66120208	COMP. DISTANZIALE L.E. 205	OUTER SPACER	ENTRETOISE EXTERIEURE	AUSSENDISTANZSTUECK	DISTANCIADOR EXTERNO
4	M66123208	COMP. DISTANZIALE L.E. 230	OUTER SPACER	ENTRETOISE EXTERIEURE	AUSSENDISTANZSTUECK	DISTANCIADOR EXTERNO
5	M66125208	COMP. DISTANZIALE L.E. 250	OUTER SPACER	ENTRETOISE EXTERIEURE	AUSSENDISTANZSTUECK	DISTANCIADOR EXTERNO
6	M66128208	COMP. DISTANZIALE L.E. 280	OUTER SPACER	ENTRETOISE EXTERIEURE	AUSSENDISTANZSTUECK	DISTANCIADOR EXTERNO
7	M66130208	COMP. DISTANZIALE L.E. 300	OUTER SPACER	ENTRETOISE EXTERIEURE	AUSSENDISTANZSTUECK	DISTANCIADOR EXTERNO
8	F01220047	DADO M12X1,25 D980 8 ZN	NUT M12X1,25 D980 8 ZN	ECROU M12X1,25 D980 8 ZN	MUTTER M12X1,25 D980 8 ZN	TUERCA M12X1,25 D980 8 ZN
9	F01010250	VITE M10X1,25X30 U5740 8.8 ZN	BOLT M10X1,25X30 U5740 8.8 ZB	VIS M10X1,25X30 U5740 8.8 ZB	SCHR.M10X1,25X30 U5740 8.8 ZB	TORN.M10X1,25X30 U5740 8.8 ZB
10	F01480112	ROSET.GROWER M10 ZN EXTRA P.	GROWER WASHER D.10	RONDELLE GROWER D.10	SCHLEIFENWASCHER D.10	ARANDELA GROWER D.10
11	M26100137	TAPPO SFIATO CON ASTA LAV.OLIO	BREATHER PLUG	BOUCHON DE SOUPIRAIL	ENTLUEFTERSTOPFEN	TAPON RESPIRADERO
12	M26100107	DISTANZIALE INGRANAGGI	GEAR SPACER	ENTRETOISE ENGRENAGES	ZAHNRAD DISTANZSTUECK	DISTANCIADOR ENGRANAJE
13	F04050110	CUSCIN.RULLI CONICI 33208	BEARING D40 D80 T32 33208	ROULEMENT 33208	LAGER 33208	COJINETE 33208
14	M26100147	ALBERO PDF 18NICRMO5 UNI 7846	POWER TAKE-OFF SHAFT	ARBRE PRISE DE FORCE	ZAPFWELLE P.D.F.	ARBOL TOMA DE FUERZA
15	F04050017	CUSC.D40 D80 T19,75 30208	BEARING D40 D80 T19,75 30208	ROULEMENT D40 D80 T19,75 302	LAGER D40 D80 T19,75	COJINETE D40 D80 T19,75 3020
16	F03010110	ANELLO T.A. 40X 60X10 D3760NBR	OIL SEAL 40X60X10	PARE-HUILE 40X60X10	OELABDICHTUNG 40X60X10	PARA-ACEITE 40X60X10
17	M66100123	GUARNIZIONE FLANGIA CAMBIO 0,5	GASKET MM.0,5	JOINT BOITE DE VITESSE MM.0,5	FLANSCHDICHTUNG MM.0,5	JUNTA BRIDA MM.0,5
18	M66100124	GUARNIZIONE FLANGIA CAMBIO 0,3	GASKET MM.0,3	JOINT BOITE DE VITESSE MM.0,3	FLANSCHDICHTUNG MM.0,3	JUNTA BRIDA MM.0,3
19	M66100125	GUARNIZIONE FLANGIA CAMBIO 0,1	GASKET MM.0,1	JOINT BOITE DE VITESSE MM.0,1	FLANSCHDICHTUNG MM.0,1	JUNTA BRIDA MM.0,1
20	M66100126	GUARNIZIONE FLANG. CAMBIO 0,05	GASKET MM.0,05	JOINT BOITE DE VITESSE MM.0,05	FLANSCHDICHTUNG MM.0,05	JUNTA BRIDA MM.0,05
21	M66100133	COPERCHIO CUSCINETTO P.D.F.	BEARING COVER P.D.F.	COUVERCLE ROULEMENT P.D.F.	LAGERDECKEL P.D.F.	TAPA COJINETE P.D.F.
22	M26100136	COPIA CONICA C-COBRA	BEVEL GEAR PAIR	COUPLE CONIQUE	KEGELRITZELSATZ	PAR CONICO
23	F04050055	CUSC.D50 D110 T29,25 31310	BEARING D50 D110 T29,25 31310	ROULEMENT 31310	LAGER 31310	COJINETE 31310
24	M01110133	GUARNIZ.FLANGIA CAMBIO 5/10	GASKET MM.0,5	JOINT BOITE DE VITESSE MM.0,5	FLANSCHDICHTUNG MM.0,5	JUNTA BRIDA MM.0,5
25	M01110132	GUARNIZ.FLANGIA CAMBIO 3/10	GASKET MM.0,3	JOINT BOITE DE VITESSE MM.0,3	FLANSCHDICHTUNG MM.0,3	JUNTA BRIDA MM.0,3
26	M01110105	GUARNIZ.FLANGIA CAMBIO 1/10	GASKET MM.0,1	JOINT BOITE DE VITESSE MM.0,1	FLANSCHDICHTUNG MM.0,1	JUNTA BRIDA MM.0,1
27	M01110151	GUARNIZIONE FLANGIA 0,05	GASKET MM.0,05	JOINT BOITE DE VITESSE MM.0,05	FLANSCHDICHTUNG MM.0,05	JUNTA BRIDA MM.0,05
28	M66100121	COPERCHIO CUSC.PIGNONE	BEARING SUPPORT COVER PINION	COUVERCLE ROULEMENT	LAGERDECKEL	TAPA COJINETE
29	F01010254	VITE M10X1,25X35 U5740 8.8 ZN	BOLT M 10X1,25X35	VIS M 10X1,25X35	SCHRAUBE M 10X1,25X35	TORNILLO M 10X1,25X35
30	M38100146	MANICOTTO PROTEZIONE PDF 1"3/8	P.T.O. PROTECTION	MANCHON DE PROTECTION P.T.O.	ZAPFWELLENSCHUTZ P.T.O.	MANGUITO PROTECCION P.T.O.
31	M10100168	PROTEZIONE CARDANO	CARDAN PROTECTION	PROTECTION CARDAN	GELENKWELLENSCHUTZ	PROTECCION CARDANICO
32	F01410037	ROS.M6 6,4X12,5X1,6 U6592 ZN	PLANE WASHER D.6	RONDELLE D.6	SCHEIBE D.6	ARANDELA D.6
33	F01020403	VITE M6X1X16 U5739 8.8 ZN	SCREW M6X1X16 U5739 8.8 ZN	VIS M6X1X16 U5739 8.8 ZN	SCHRAUBE M6X1X16 U5739 8.8 ZN	TORNILLO M6X1X16 U5739 8.8 ZN
34	F01010027	VITE M10X1,25X45 U5740 8.8 BR	BOLT M 10X1,25X45	VIS M 10X1,25X45	SCHRAUBE M 10X1,25X45	TORNILLO M 10X1,25X45
35	M37100106	ATTACCO PROTEZIONE	PROTECTION SUPPORT	SUPPORT PROTECTION CARDAN	GELENKWELLENSCHUTZ HALTER	SOPORTE PROTECCION CARDANICO
36	M33100599	DISTANZIALE PROTEZIONE ERP.ZN	SPACER	ENTRETOISE	DISTANZSTUECK	DISTANCIADOR
37	F03010720	ANELLO OR 117,07X3,53 NBR	GASKET OR 4462	JOINT 4462	DICHTUNG DOWTY 4462	ANILLO OR 117,07X3,53 NBR
38	F04050080	CUSC.D50 D90 T24,75 32210	BEARING D50 D90 T24,75 32210	ROULEMENT D50 D90 T24,75 322	LAGER D50 D90 T24,75 32210	COJINETE D50 D90 T24,75 3221
39	F01220034	DADO M10X1,25 D980 8 ZN	NUT M10X1,25 D980 8 ZB	ECRO.M10X1,25 D980 8 ZB	MUTT.M10X1,25 D980 8 ZB	TUER.M10X1,25 D980 8 ZB
40	M54420205	COMP.DISTANZIALE SUP.TRASM.205	SPACER TRANSM.SIDE 205	ENTRETOISE C.T.205	DISTANZSTUECK ANTR.SEITE 205	DISTANCIADOR L.T. 205
41	M54423205	COMP.DISTANZIALE SUP.TRASM.230	SPACER TRANSM.SIDE 230	ENTRETOISE C.T.230	DISTANZSTUECK ANTR.SEITE 230	DISTANCIADOR L.T. 230
42	M54425205	COMP.DISTANZIALE SUP.TRASM.250	SPACER TRANSM.SIDE 250	ENTRETOISE C.T.250	DISTANZSTUECK ANTR.SEITE 250	DISTANCIADOR L.T. 250
43	M54428205	COMP.DISTANZIALE SUP.TRASM.280	SPACER TRANSM.SIDE 280	ENTRETOISE C.T.280	DISTANZSTUECK ANTR.SEITE 280	DISTANCIADOR L.T. 280
44	M54430205	COMP.DISTANZIALE SUP.TRASM.300	SPACER TRANSM.SIDE 300	ENTRETOISE C.T.300	DISTANZSTUECK ANTR.SEITE 300	DISTANCIADOR L.T. 300
45	M26120206	ALBERO DI TRASMISSIONE C 205	TRANSMISSION SHAFT 205	ARBRE DE TRANSMISSION 205	ANTRIEBSWELLE 205	EJE DE TRASMISION 205
46	M26123206	ALBERO DI TRASMISSIONE C 230	TRANSMISSION SHAFT 230	ARBRE DE TRANSMISSION 230	ANTRIEBSWELLE 230	EJE DE TRASMISION 230
47	M26125206	ALBERO DI TRASMISSIONE C 250	TRANSMISSION SHAFT 250	ARBRE DE TRANSMISSION 250	ANTRIEBSWELLE 250	EJE DE TRASMISION 250
48	M26128206	ALBERO DI TRASMISSIONE C 280	TRANSMISSION SHAFT	ARBRE DE TRANSMISSION	ANTRIEBSWELLE	EJE DE TRASMISION
49	M26130206	ALBERO DI TRASMISSIONE C 300	TRANSMISSION SHAFT 300	ARBRE DE TRANSMISSION 300	ANTRIEBSWELLE 300	EJE DE TRASMISION 300
50	M01110218	GUARNIZ.DIST.LATO CAMB.5/10	GASKET MM.0,5	JOINT ENTRETOISE MM.0,5	DISTANZSTUECK DICHTUNG MM.0,5	JUNTA DISTANCIADOR MM.0,5
51	M01110217	GUARNIZ.DIST.LATO CAMB.3/10	GASKET MM.0,3	JOINT ENTRETOISE MM.0,3	DISTANZSTUECK DICHTUNG MM.0,3	JUNTA DISTANCIADOR MM.0,3
52	M01110207	GUARNIZ. DIST.LATO CAMB.1/10	GASKET MM.0,1	JOINT ENTRETOISE MM.0,1	DISTANZSTUECK DICHTUNG MM.0,1	JUNTA DISTANCIADOR MM.0,1
53	F03010319	ANELLO T.AS 60X 75X 8 D3760NBR	RING TAS 60X 75X 8 D3760 NBR	BAGUE T.AS 60X 75X 8 D3760 NBR	SCHUTZRING 60X75X8 D3760 NBR	ANILLO T.AS 60X 75X 8 D3760NBR
54	F04050088	CUSC.D60 D95 T23 32012	BEARING D60 D95 T23 32012	ROULEMENT 32012	LAGER 32012	COJINETE 32012
55	F02010144	GHIERA AU.GUP M45X1,5 T.4H ZN	SELF LOCKING NUT M45X1,5	COLLIER AUTOBL. M45X1,5	SELBSTSP. NUTMUTTER M 45X1,5	VIROLA AUTOBLOCC. M45X1,5
56	F03150630	TAPPO SCARICO 1/2"GAS CON.	OIL OUTLET PLUG 1/2"	BOUCHON DE VIDANGE HUILE 1/2"	OELBLASSPFROPFEN 1/2"	TAPON DESCARGADO ACEITE 1/2"
57	F01010026	VITE M10X1,25X40 U5738 8.8 ZN	BOLT M 10X1,25X40	VIS M 10X1,25X40	SCHRAUBE M 10X1,25X40	TORNILLO M 10X1,25X40
58	F01410064	ROS.M10 10,5X 20X 2 U6592 ZN	WASHER M10 10,5X20X2 U6592 ZN	RONDELL.M10 10,5X20X2 U6592 ZN	SCHEIBE M10 10,5X20X2 U6592 ZN	ARAND. M10 10,5X20X2 U6592 ZN
59	M20100193	STAFFA	STIRRUP	ETRIER	BUEGEL	ESTRIBO
60	M26100112	RUOTA DENTATA CAMBIO Z 17	GEAR Z-17	ENGRENAGE Z-17	ZAHNRAD WECHSELGETRIEBE Z-17	ENGRANAJE Z-17
61	M26100118	RUOTA DENTATA Z19	GEAR Z-19	ENGRENAGE Z-19	ZAHNRAD WECHSELGETRIEBE Z-19	ENGRANAJE Z-19
62	M28100104	GUARNIZIONE COP.CAMBIO	GEARBOX COVER GASKET	JOINT COUVERCLE BOITE DE VIT.	WECHSELGETRIEBEDECKEL DICHTUNG	JUNTA TAPA CAMBIO
63	M26100142	MOZZO SCANALATO PER COP.CAMBIO	SPLINED HUB	MOYEU CANNELE P.COVER B.VIT.	KEILNABE	CUBO ACANALADO
64	F01020476	VITE M10X1,5X30 U5739 8.8 ZN	SCREW M10X1,5 X 30 5739 8.8 ZN	VIS M10X1,5 X 30 5739 8.8 ZN	SCHRA. M10X1,5X 30 5739 8.8 ZN	TORN. M10X1,5 X 30 5739 8.8 ZN
65	M66100110	COPERCHIO CAMBIO "B2" MASCHIO	GEARBOX COVER	COUVERCLE BOITE DE VITESSE	WECHSELGETRIEBEDECKEL	TAPA CAMBIO
66	M26100117	RUOTA DENTATA Z 21	GEAR Z-21	ENGRENAGE Z-21	ZAHNRAD WECHSELGETRIEBE Z-21	ENGRANAJE Z-21
67	M26100111	RUOTA DENTATA CAMBIO Z 23	GEAR Z-23	ENGRENAGE Z-23	ZAHNRAD WECHSELGETRIEBE Z-23	ENGRANAJE Z-23
68	M66100120	SCATOLA CAMBIO	GEARBOX	BOITE DE VITESSE	WECHSELGETRIEBEGEHAEUSE	CAJA CAMBIO



- 1 - B155
- 2 - B180
- 3 - B205/C205
- 4 - B230/C230
- 5 - C250
- 6 - C280
- 7 - C300

- 11 - B155
- 12 - B180
- 14 - B205/C205
- 16 - B230/C230
- 17 - C250
- 18 - C280
- 19 - C300

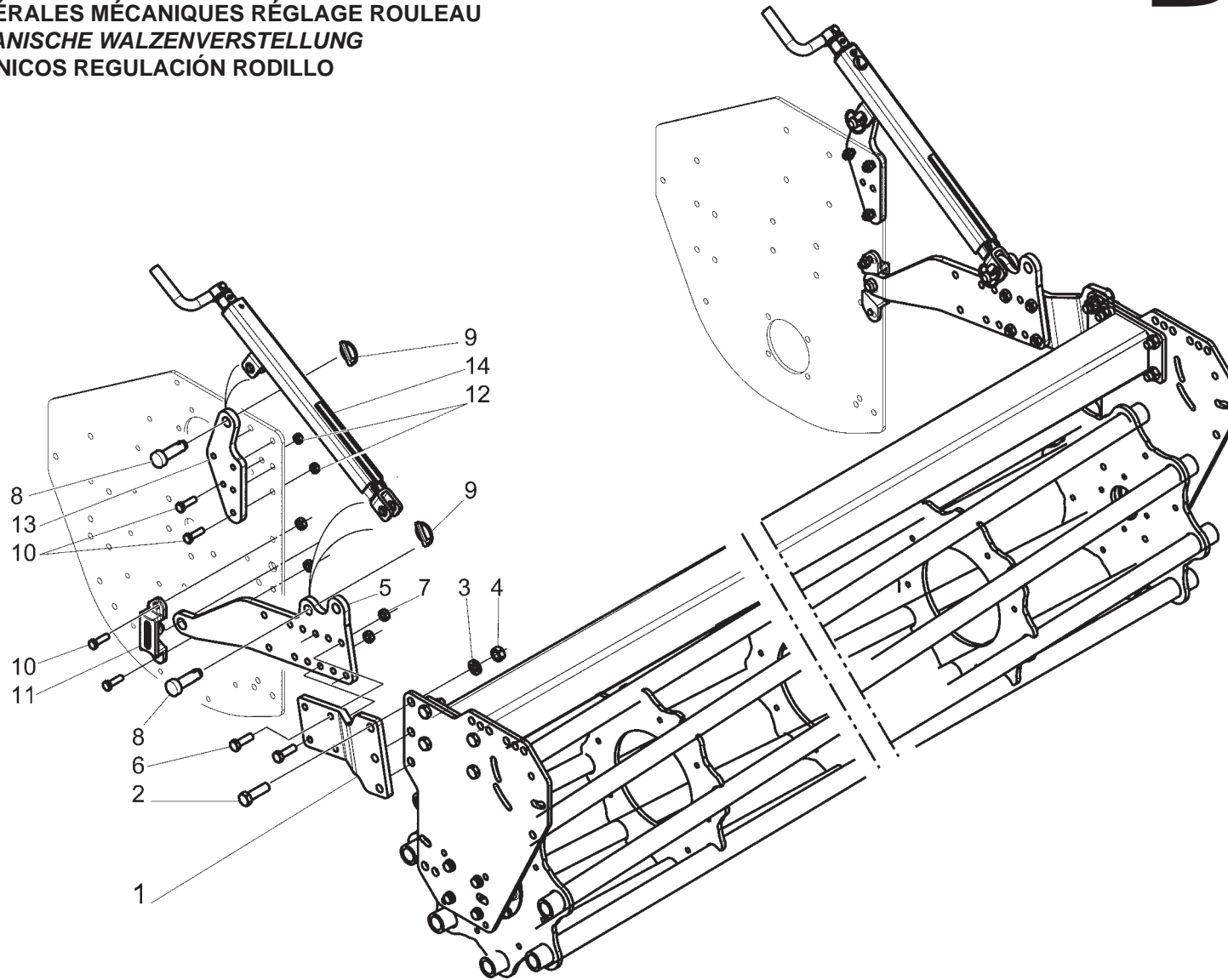
- 11 - B155
- 12 - B180
- 13 - B205/C205
- 15 - B230/C230
- 17 - C250
- 18 - C280
- 19 - C300

POS	CODICE	DESCRIZIONE	DESCRIPTION	DESCRIPTION	BENENNUNG	DESCRIPCION	TAV. 050
1	M28115796	PERNO CERNIERA D.14 MOD.155	HINGE PIN LEVELLING PLATE 155	GOUJON CHARN. CAPOT NIV. 155	SCH.BOLZEN PLANIERHAUBE 155	PERNO CHARN. PLANCHA NIV. 155	
2	M28118796	PERNO CERNIERA D.14 180	HINGE PIN LEVELLING PLATE 180	GOUJON CHARN. CAPOT NIV. 180	SCH.BOLZEN PLANIERHAUBE 180	PERNO CHARN. PLANCHA NIV. 180	
3	M28120796	PERNO CERNIERA	HINGE PIN LEVELLING PLATE 205	GOUJON CHARN. CAPOT NIV. 205	SCH.BOLZEN PLANIERHAUBE 205	PERNO CHARN. PLANCHA NIV. 205	
4	M28123796	PERNO CERNIERA	HINGE PIN LEVELLING PLATE 230	GOUJON CHARN. CAPOT NIV. 230	SCH.BOLZEN PLANIERHAUBE 230	PERNO CHARN. PLANCHA NIV. 230	
5	M28125796	PERNO CERNIERA	HINGE PIN LEVELLING PLATE 250	GOUJON CHARN. CAPOT NIV. 250	SCH.BOLZEN PLANIERHAUBE 250	PERNO CHARN. PLANCHA NIV. 250	
6	M28128796	PERNO CERNIERA	HINGE PIN LEVELLING PLATE 280	AXE CHARN.CAPOT NIV.280	SCH. BOLZEN PLANIERHAUBE 280	PERNO CHARN. PLANCHA NIV.280	
7	M28130796	PERNO CERNIERA	HINGE PIN LEVELLING PLATE 300	GOUJON CHARN. CAPOT NIV. 300	SCH.BOLZEN PLANIERHAUBE 300	PERNO CHARN. PLANCHA NIV. 300	
8	M64400515	PIATTO DI FERMO	LOCKING STIRRUP	ETRIER DE BLOCAGE	BLOCKIERUNGSBUJEGEL	ESTRIBO BLOQUEO	
9	F01010288	VITE M12X1,25X35 U5740 8.8 ZN	SCREW M12X1,25X35 U5740 8.8 ZN	VIS M12X1,25X35 U5740 8.8 ZN	SCHR.M12X1,25X35 U5740 8.8 ZN	TORN.M12X1,25X35 U5740 8.8 ZN	
10	F01220047	DADO M12X1,25 D980 8 ZN	NUT M12X1,25 D980 8 ZN	ECROU M12X1,25 D980 8 ZN	MUTTER M12X1,25 D980 8 ZN	TUERCA M12X1,25 D980 8 ZN	
11	M53415710	COMP. LAM.LIV. LUNGA 155	LEVELLING BONNET 155	CAPOT NIVELEUR 155	PLANIERHAUBE 155	PLANCHA NIVELADORA 155	
12	M53418710	COMP. LAM.LIV. LUNGA 180	LEVELLING BONNET 180	CAPOT NIVELEUR 180	PLANIERHAUBE 180	PLANCHA NIVELADORA 180	
13	M53420710	COMP. LAM.LIV. LUNGA 205 SX	LEVELLING BONNET 205 LH	CAPOT NIVELEUR 205 GCH.	PLANIERHAUBE 205 LNK.	PLANCHA NIVELADORA 205 IZQ.	
14	M56420710	COMP. LAM.LIV. LUNGA 205 DX	LEVELLING BONNET 205 RH	CAPOT NIVELEUR 205 DRT.	PLANIERHAUBE 205 RCH.	PLANCHA NIVELADORA 205 DER.	
15	M53423710	COMP. LAM.LIV. LUNGA 230 SX	LEVELLING BONNET 230 LH	CAPOT NIVELEUR 230 GCH.	PLANIERHAUBE 230 LNK.	PLANCHA NIVELADORA 230 IZQ.	
16	M56423710	COMP. LAM.LIV. LUNGA 230 DX	LEVELLING BONNET 230 RH	CAPOT NIVELEUR 230 DRT.	PLANIERHAUBE 230 RCH.	PLANCHA NIVELADORA 230 DER.	
17	M53425710	COMP. LAM.LIV. LUNGA 250	LEVELLING BONNET 250	CAPOT NIVELEUR 250	PLANIERHAUBE 250	PLANCHA NIVELADORA 250	
18	M53428710	COMP. LAM.LIV. LUNGA 280	LEVELLING BONNET 280	CAPOT NIVELEUR 280	PLANIERHAUBE 280	PLANCHA NIVELADORA 280	
19	M53430710	COMP. LAM.LIV. LUNGA 300	LEVELLING BONNET 300	CAPOT NIVELEUR 300	PLANIERHAUBE 300	PLANCHA NIVELADORA 300	
20	F01020476	VITE M10X1,5X30 U5739 8.8 ZN	SCREW M10X1,5 X 30 5739 8.8 ZN	VIS M10X1,5 X 30 5739 8.8 ZN	SCHRA. M10X1,5X 30 5739 8.8 ZN	TORN. M10X1,5 X 30 5739 8.8 ZN	
21	F01220033	DADO M10X 1,5 D980 8 ZN	NUT M10X 1,5 D980 8 ZN	ECROU M10X 1,5 D980 8 ZN	MUTTER M10X 1,5 D980 8 ZN	TUERCA M10X 1,5 D980 8 ZN	
22	M53400746	COMPOSTO ESTENSORE LAM LIV SX	LEVELLING BONNET LEFT EXTENSION	PROLONGEMENT GCH.	VERLÄNGERUNG LNK.	EXTENSIÓN IZQUIERDA	
23	M53400745	COMPOSTO ESTENSORE LAM LIV DX	LEVELLING BONNET RIGHT EXTENSION	PROLONGEMENT DRT.	VERLÄNGERUNG RCH.	EXTENSIÓN DERECHA	
24	F01010319	VITE M14X1,5 X45 U5740 8.8 ZN	BOLT M14X 1,5X 45 U5740 8.8 ZB	VIS M14X1,5 X45 U5740 8.8 ZB	SCH. M14X1,5 X45 U5740 8.8 ZB	TORNILLO M14X1,5 X45 U5740 8.8	
25	F01220059	DADO M14X 1,5 D980 8 ZN	NUT M14X 1,5 D980 8 ZB	ECROU M14X 1,5 D980 8 ZB	MUTTER M14X 1,5 D980 8 ZB	TUERCA M14X 1,5 D980 8 ZB	
26	F01200165	DADO M24X 3 U5587 6S ZN	NUT M24X3 5587 5S ZG	ECROU M24X3 5587 5S ZG	MUTTER M24X3 5587 5S ZG	DADO M24X3 5587 5S ZG	
27	F01410157	ROS.M27 28X 50X 4 U6592 ZN	WASHER M27 28X50X4 U6592 ZB	RONDELLE M27 28X50X4 U6592 ZB	SCHEIBE M27 28X50X4 U6592 ZB	ARANDELA M27 28X50X4 U6592 ZB	
28	M53400704	BARRA REGOLAZ. MARTINETTO	HAND JACK ROD WITH BOLT	BARRE VERIN	SPINDELVERSTELLUNGSTANGE	ASTA MARTINETE	
29	F01220034	DADO M10X1,25 D980 8 ZN	NUT M10X1,25 D980 8 ZB	ECRO.M10X1,25 D980 8 ZB	MUTT.M10X1,25 D980 8 ZB	TUER.M10X1,25 D980 8 ZB	
30	F20120401	FASCETTA FERMA CARDANO ZN	SHAFT HOOK SUPPORT	SUPPORT CARDAN	GELENKWELLE HACKEN HALTER	SOPORTE CARDAN	
31	F01010027	VITE M10X1,25X45 U5740 8.8 BR	BOLT M 10X1,25X45	VIS M 10X1,25X45	SCHRAUBE M 10X1,25X45	TORNILLO M 10X1,25X45	
32	M33100599	DISTANZIALE PROTEZIONE ERP.ZN	SPACER	ENTRETOISE	DISTANZSTUECK	DISTANCIADOR	
33	M68100643	COMP.DADO REGOLAZ.MOLLA ZN	ADJUSTING HANDLE	LEVIER DE REGLAGE	REGULIERUNGHEFT	MANGO REGULACION	
34	M24100569	MOLLA SUPERIORE MARTINETTO	SPRING	RESSORT	FEDER	MUELLE	
35	M72100668	PIATTO SUPP. MART. ZN	LINKAGE	ATTELAGE	VERBINDUNG	ATAQUE	
36	M26100714	SNODO SUPPORTO MARTINETTO	UPPER JOINT	JOINT SUPERIEUR	OBERGELENK	JANTURA SUPERIOR	
37	F01010244	VITE M10X1,25X25 U5740 8.8 ZN	SCREW M10X1,25X25 U5740 8.8 ZN	VIS M 10X1,25X25	SCHRAUBE M 10X1,25X25	TORNILLO M 10X1,25X25	
38	M53400706	ASSIEME ANTIRIBALTAMENTO	AGAINST OVERTURNING ASSEMBLY	VERIN REGLAGE CAPOTS	SPINDELVERSTELLUNG F. HAUBEN	MARTINETE REGULACION PLANCHA	

TAV. 060A

KIT MECCANICO REGOLAZIONE RULLO
MECHANICAL REAR ROLLER ADJUSTERS
MANIVELLES LATÉRALES MÉCANIQUES RÉGLAGE ROULEAU
SEITLICHE MECHANISCHE WALZENVERSTELLUNG
CILINDROS MECÁNICOS REGULACIÓN RODILLO

B - C

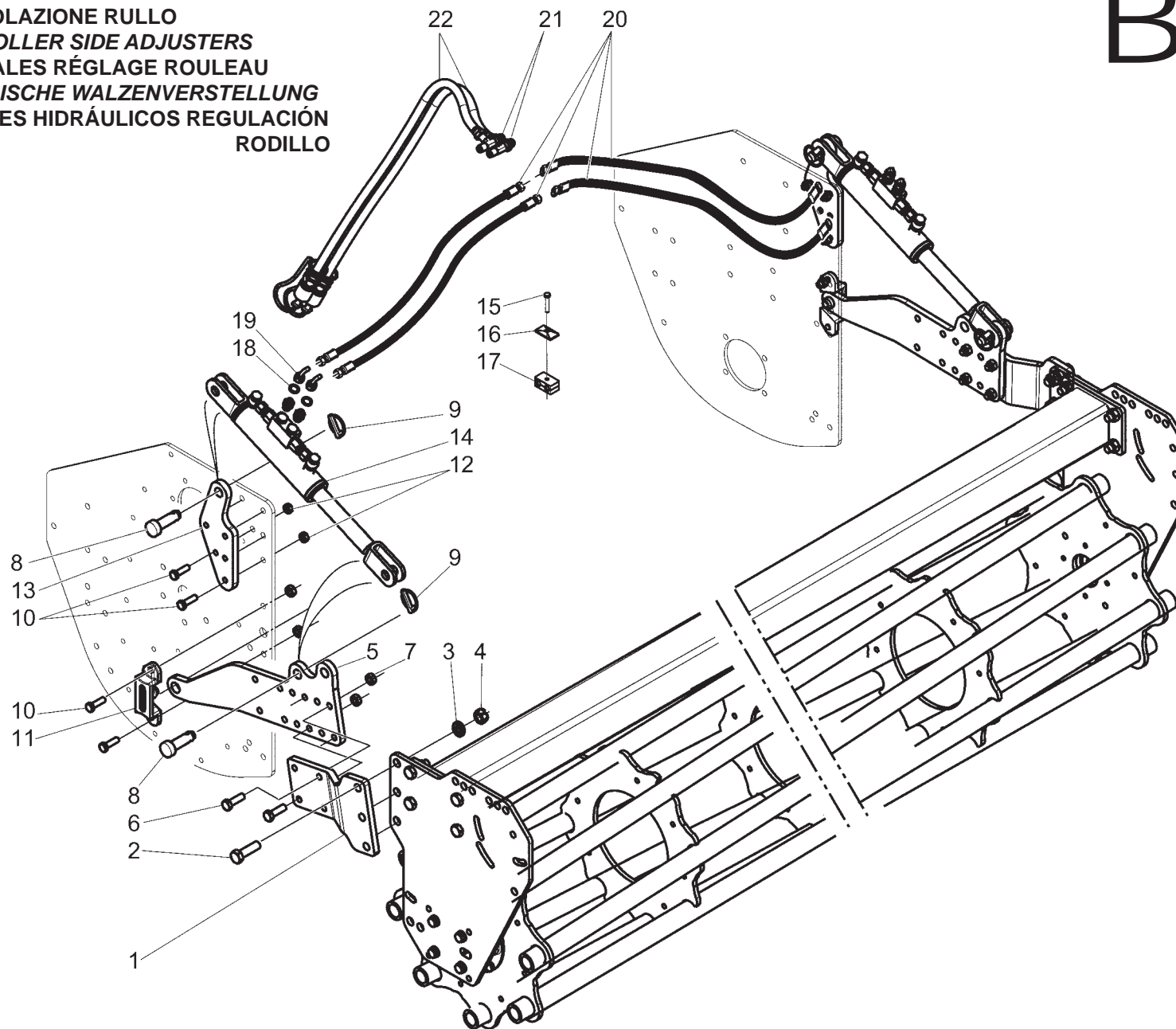


POS	CODICE	DESCRIZIONE	DESCRIPTION	DESCRIPTION	BENENNUNG	DESCRIPCION	TAV. 060A
1	M53400615	PIASTRA COLLEGAMENTO RULLO	ROLLER CONNECTING PLATE	WALZE VERBINDUNG	CONNEXION ROULEAU	PLACA CONNEXION RODILLO	
2	F01010151	VITE M18X1,5X60 U5738 8.8 ZN	BOLT M18X1,5X60	VIS M18X1,5X60	SCHRAUBE M18X1,5X60	TORNILLO M18X1,5X60	
3	F01480156	ROS.G 19X32 X5,3 EX,C70 ZN	GROWER WASHER D.18	RONDELLE GROWER D.18	SCHEIBE GROWER D.18	ARANDELA GROWER D.18	
4	F01220081	DADO M18X 1,5 D980 8 ZN	SELF LOCKING NUT M18X1,5 980V	ECROU AUTOBL. M18X1,5 980-V	SELBSTSPMUTT. M18X1,5 980-V	DADO AUTOBL. M18X1,5 980-V	
5	M53400604	BRACCIO COLLEGAMENTO RULLO	ROLLER CONNECTING ARM	BRAS DE CONNECTION ROULEAU	WALZE VERBINDUNGSARM	BRAZO DE CONEXIÓN RODILLO	
6	F01010320	VIT.M14X 1,5X 50 U5740	BOLT M14X 1,5X 50 U5740	VIS M14X 1,5X 50 U5740	SCHRAUBE M14X 1,5X 50 U5740	TORNILLO M14X 1,5X 50 U5740	
7	F01220059	DADO M14X 1,5 D980 8 ZN	NUT M14X 1,5 D980 8 ZB	ECROU M14X 1,5 D980 8 ZB	MUTTER M14X 1,5 D980 8 ZB	TUERCA M14X 1,5 D980 8 ZB	
8	F20100048	PERNO D22 L48 C40 ZN	BOLT D22 L48 C40 ZN	GOUJON D22 L48 C40	BOLZEN D22 L48 C40	PERNO D22 L48 C40	
9	F02200529	SPINA SCATTO D.11 ZN	SNAP PIN D.11	FICHE A DETENTE D.11	EINRASTSTIFT D.11	CLAVIJA DE MUELLE D.11	
10	F01010291	VITE M12X1,25X40 U5740 8.8 ZN	SCREW M12X1,25X40 U5740 8.8 ZN	VIS M12X1,25X40 U5740 8.8 ZN	SCHR.M12X1,25X40 U5740 8.8 ZN	TORN. M12X1,25X40 U5740 8.8 ZN	
11	M53400810	STAFFA CERNIERA	HINGE STIRRUP	ETRIER CHARNIERE	SCHARNIERBUEGEL	ESTRIBO CHARNELA	
12	F01220047	DADO M12X1,25 D980 8 ZN	NUT M12X1,25 D980 8 ZN	ECROU M12X1,25 D980 8 ZN	MUTTER M12X1,25 D980 8 ZN	TUERCA M12X1,25 D980 8 ZN	
13	M53400603	STAFFA ATTACCO MART.	BUEGELLINK	ATTELAGE ETRIER	BUEGELLINK	ESTRIBO ATAQUE	
14	M26400423	MARTINETTO MECCANICO	HAND JACK ASSY	VERIN COMPL.	KOMPL. SPINDELVERSTELLUNG	MARTINETE COMPL.	

TAV. 060B

KIT IDRAULICO REGOLAZIONE RULLO
HYDRAULIC REAR ROLLER SIDE ADJUSTERS
MANIVELLES LATÉRALES RÉGLAGE ROULEAU
SEITLICHE HYDRAULISCHE WALZENVERSTELLUNG
CILINDROS LATERALES HIDRÁULICOS REGULACIÓN
RODILLO

B - C

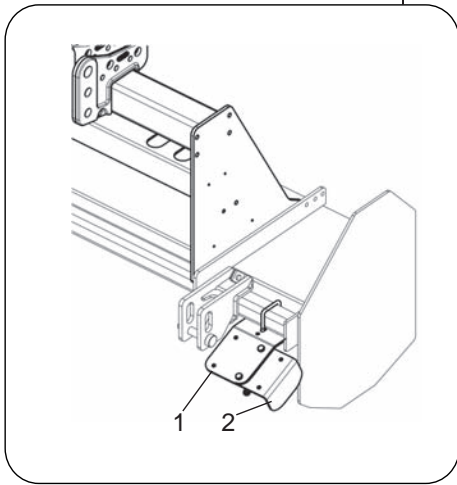


POS	CODICE	DESCRIZIONE	DESCRIPTION	DESCRIPTION	BENENNUNG	DESCRIPCION	TAV. 060B
1	M53400615	PIASTRA COLLEGAMENTO RULLO	ROLLER CONNECTING PLATE	WALZE VERBINDUNG	CONNEXION ROULEAU	PLACA CONNEXION RODILLO	
2	F01010151	VITE M18X1,5X60 U5738 8.8 ZN	BOLT M18X1,5X60	VIS M18X1,5X60	SCHRAUBE M18X1,5X60	TORNILLO M18X1,5X60	
3	F01480156	ROS.G 19X32 X5,3 EX,C70 ZN	GROWER WASHER D.18	RONDELLE GROWER D.18	SCHEIBE GROWER D.18	ARANDELA GROWER D.18	
4	F01220081	DADO M18X 1,5 D980 8 ZN	SELF LOCKING NUT M18X1,5 980V	ECROU AUTOBL. M18X1,5 980-V	SELBSTSPMUTT. M18X1,5 980-V	DADO AUTOBL. M18X1,5 980-V	
5	M53400604	BRACCIO COLLEGAMENTO RULLO	ROLLER CONNECTING ARM	BRAS DE CONNECTION ROULEAU	WALZE VERBINDUNGSARM	BRAZO DE CONEXIÓN RODILLO	
6	F01010320	VIT.M14X 1,5X 50 U5740	BOLT M14X 1,5X 50 U5740	VIS M14X 1,5X 50 U5740	SCHRAUBE M14X 1,5X 50 U5740	TORNILLO M14X 1,5X 50 U5740	
7	F01220059	DADO M14X 1,5 D980 8 ZN	NUT M14X 1,5 D980 8 ZB	ECROU M14X 1,5 D980 8 ZB	MUTTER M14X 1,5 D980 8 ZB	TUERCA M14X 1,5 D980 8 ZB	
8	F20100048	PERNO D22 L48 C40 ZN	BOLT D22 L48 C40 ZN	GOUJON D22 L48 C40	BOLZEN D22 L48 C40	PERNO D22 L48 C40	
9	F02200529	SPINA SCATTO D.11 ZN	SNAP PIN D.11	FICHE A DETENTE D.11	EINRASTSTIFT D.11	CLAVIJA DE MUELLE D.11	
10	F01010291	VITE M12X1,25X40 U5740 8.8 ZN	SCREW M12X1,25X40 U5740 8.8 ZN	VIS M12X1,25X40 U5740 8.8 ZN	SCHR.M12X1,25X40 U5740 8.8 ZN	TORN. M12X1,25X40 U5740 8.8 ZN	
11	M53400810	STAFFA CERNIERA	HINGE STIRRUP	ETRIER CHARNIERE	SCHARNIERBUEGEL	ESTRIBO CHARNELA	
12	F01220047	DADO M12X1,25 D980 8 ZN	NUT M12X1,25 D980 8 ZN	ECROU M12X1,25 D980 8 ZN	MUTTER M12X1,25 D980 8 ZN	TUERCA M12X1,25 D980 8 ZN	
13	M53400603	STAFFA ATTACCO MART.	BUEGELLINK	ATTELAGE ETRIER	BUEGELLINK	ESTRIBO ATAQUE	
14	M26400416	MART.IDR.A=50 C=135 L=640/505	HYDRAULIC ADJUSTER	MANIVELLE HYDRAULIQUE	HYDRAUL.SPINDELVERSTELLUNG	GATO HYDRAULICO	
15	F01020451	VITE M 8X1,25X45 U5739 8.8 ZN	SCREW M8X 1.25X45 U5739 8.8 ZN	VIS M 8X45	SCHRAUBE M 8X45	TORNILLO M 8X45	
16	F03150933	060001A ASSIEME GRIGLIA *	GRILLE	GRILLE	GITTER	REJILLA	
17	F03150992	COPPIA COLLARI X TUBO D.16	DOUBLE SUPPORT	SUPPORT DOUBLE	DOPPELHALTER	SOPORTE DOBLE	
18	F03100023	ROS. 17 X23X1,5 RAME -3/8"	COOPER WASHER 17X 23X1,5 -3/8"	RONDELLE 17X 23X1,5 RAME -3/8"	SCHEIBE 17X 23X1,5 RAME -3/8"	ARANDELA 17X 23X1,5 RAME -3/8"	
19	F03150310	NIPPLO MM CIL-CIL 3/8-1/4 ZN	NIPPLE CYL.MALE3/8-1/4 ZN	NIPPLE MALE CYL.3/8-1/4 ZN	NIPPELZYL.3/8-1/4 ZN	NIPLE MACHO CIL.3/8-1/4 ZN	
20	F03050233	TUBO 2SN 1/4"FD1/4 F901/4 2530	HYDRAUL. TUBE R2AT 1/4" L 2530	TUBE HYDRAUL. R2AT 1/4" L 2530	HYDRAUL. ROHR R2AT 1/4" L 2530	TUBO HYDRAUL. R2AT 1/4" L 2530	
21	F03151219	RACCORDO -T. MASCHIO 1/4 ZN	MALE T-UNION 1/4 ZN	CONNECTION A T	T VERBINDUNG	JUNTURA A T	
22	M58100890	PREMONT.TUB.IDR.MART.LAT. GUA	HYDRAULIC TUBE	TUBE HYDRAUL.	HYDRAUL. ROHR	TUBO HYDRAULICO	

TAV. 070

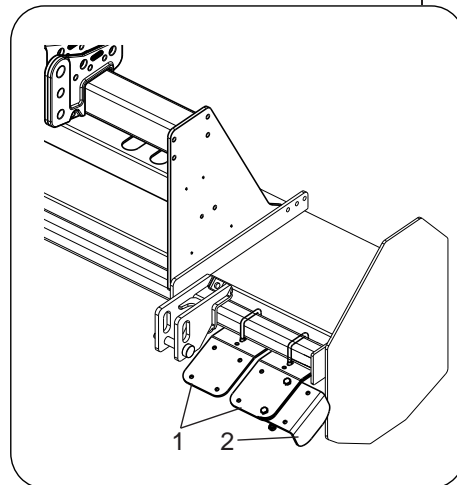
B155

9



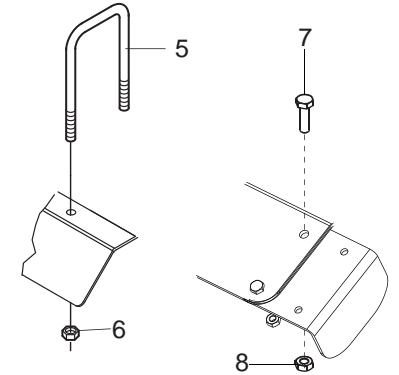
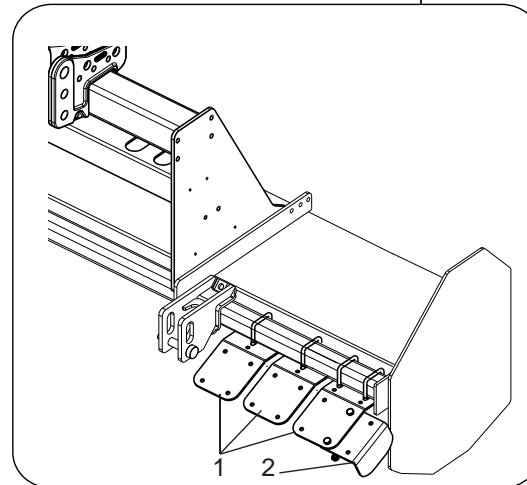
B180

10



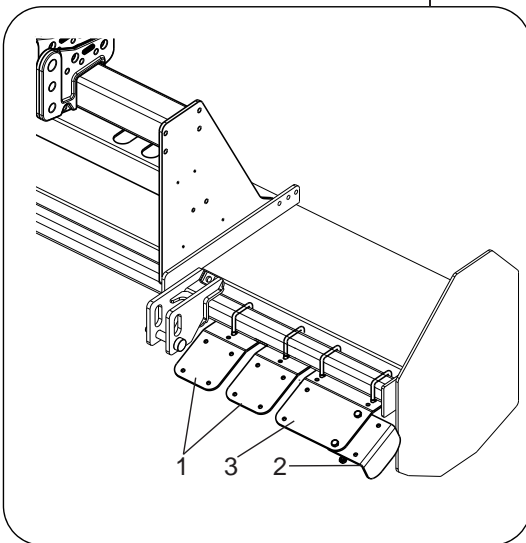
B205 - C205

11



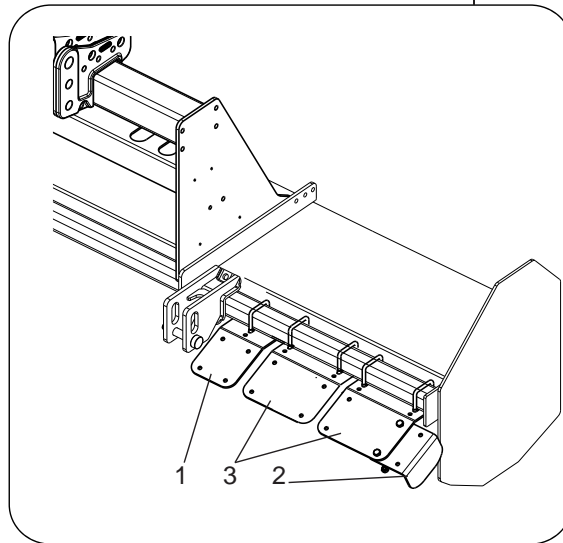
B230 - C230

12



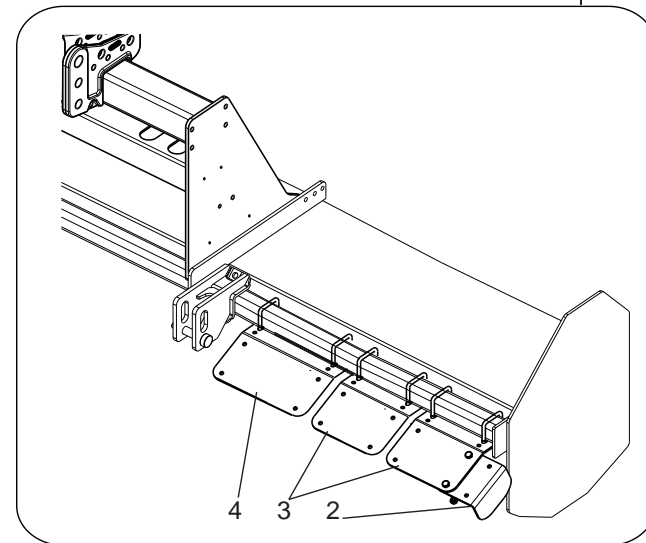
C250

13



C280 - C300

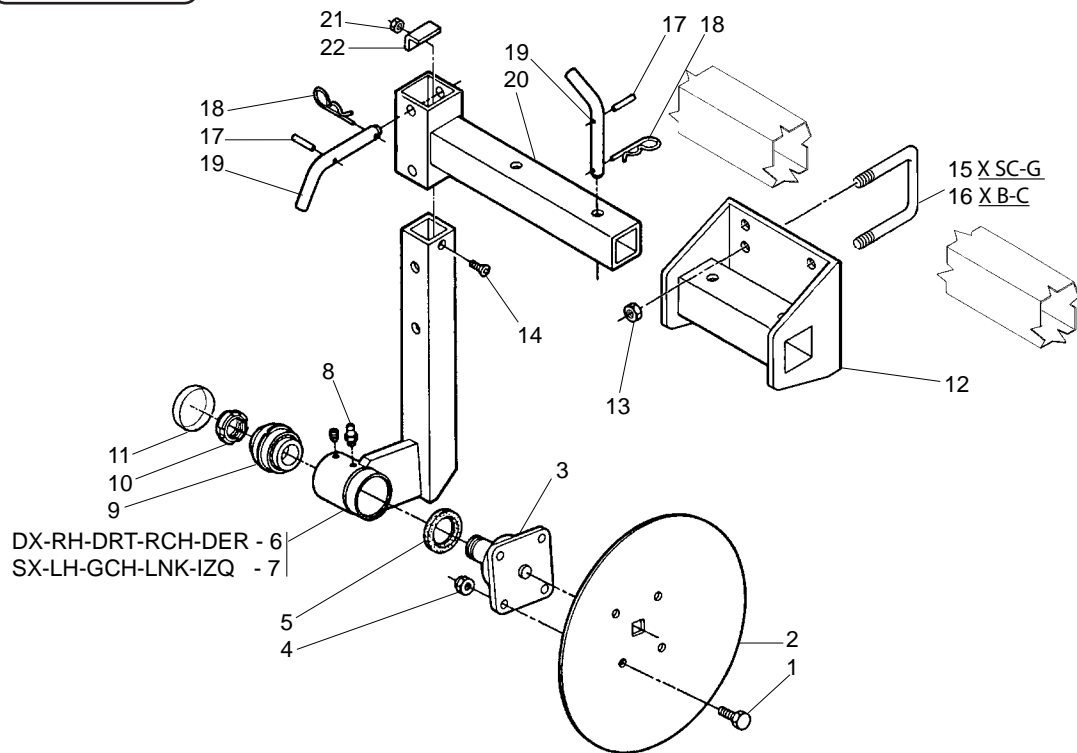
14



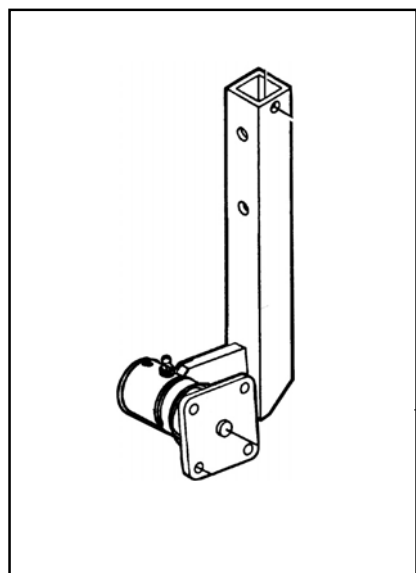
POS	CODICE	DESCRIZIONE	DESCRIPTION	DESCRIPTION	BENENNUNG	DESCRIPCION
1	M69100917	PROT.ANT.L=150	FRONT PROTECTION L=150	PROTECTION AVANT L=150	VORDERER SCHUTZ L=150	PROTECC.DELANTERA L=150
2	M69100920	PROT.ANT.LATERALE	PROTECTION	PROTECTION	SCHUTZ	PROTECCIÓN
3	M69100918	PROT.ANT.L=240	FRONT PROTECTION L=240	PROTECTION AVANT L=240	VORDERER SCHUTZ L=240	PROTECC.DELANTERA L=240
4	M69100919	PROT.ANT.L=340	FRONT PROTECTION L=340	PROTECTION AVANT L=340	VORDERER SCHUTZ L=340	PROTECC.DELANTERA L=340
5	F20110730	CAV.Q.M10X 1,5X 30 91X 99 ZN	STRIKER M10X 1,5X 30 91X 99 ZB	BUTEE M10X 1,5X 30 91X 99 ZB	ANSCHLAG M10X 1,5X 30 91X 99	EL. DE EMPALME M10X 1,5X 30
6	F01220033	DADO M10X 1,5 D980 8 ZN	NUT M10X 1,5 D980 8 ZN	ECROU M10X 1,5 D980 8 ZN	MUTTER M10X 1,5 D980 8 ZN	TUERCA M10X 1,5 D980 8 ZN
7	F01020470	VITE M10X1,5X20 U5739 8.8 ZN	BOLT M 10X20	VIS M 10X20	SCHRAUBE M 10X20	TORNILLO M 10X20
8	F01220033	DADO M10X 1,5 D980 8 ZN	NUT M10X 1,5 D980 8 ZN	ECROU M10X 1,5 D980 8 ZN	MUTTER M10X 1,5 D980 8 ZN	TUERCA M10X 1,5 D980 8 ZN
9	M0PR69032	GR.PR.CE B155	FRONT PROTECTIONS	PROTECTIONS AVANT	VORDERE SCHUTZES	PROTECC.DELANTERAS
10	M0PR69033	GR.PR.CE B180	FRONT PROTECTIONS	PROTECTIONS AVANT	VORDERE SCHUTZES	PROTECC.DELANTERAS
11	M0PR69031	GR.PR.CE B205 C205	FRONT PROTECTIONS	PROTECTIONS AVANT	VORDERE SCHUTZES	PROTECC.DELANTERAS
12	M0PR69007	GR.PR.CE B230 C230	FRONT PROTECTIONS	PROTECTIONS AVANT	VORDERE SCHUTZES	PROTECC.DELANTERAS
13	M0PR69009	GR.PR.CE C250	FRONT PROTECTIONS	PROTECTIONS AVANT	VORDERE SCHUTZES	PROTECC.DELANTERAS
14	M0PR69011	GR.PR.CE C280 C300	FRONT PROTECTIONS	PROTECTIONS AVANT	VORDERE SCHUTZES	PROTECC.DELANTERAS



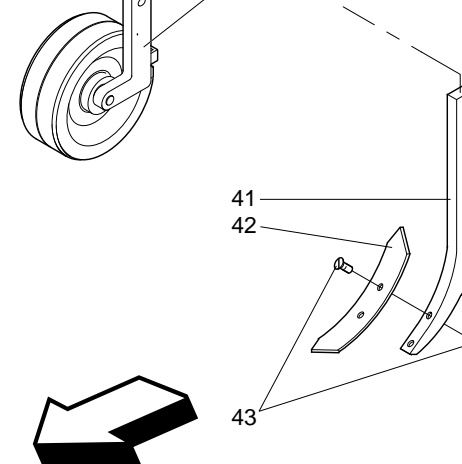
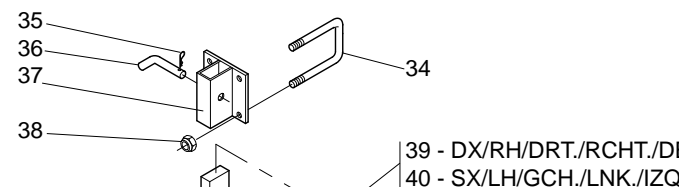
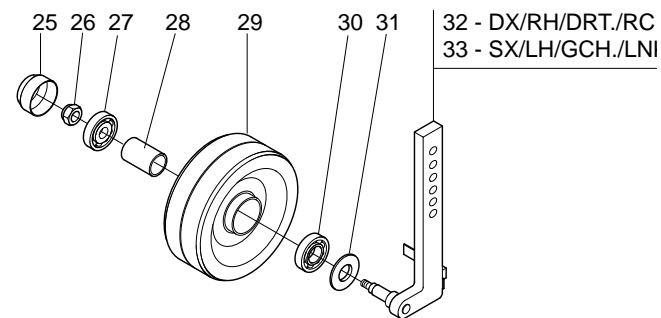
TAV. 080



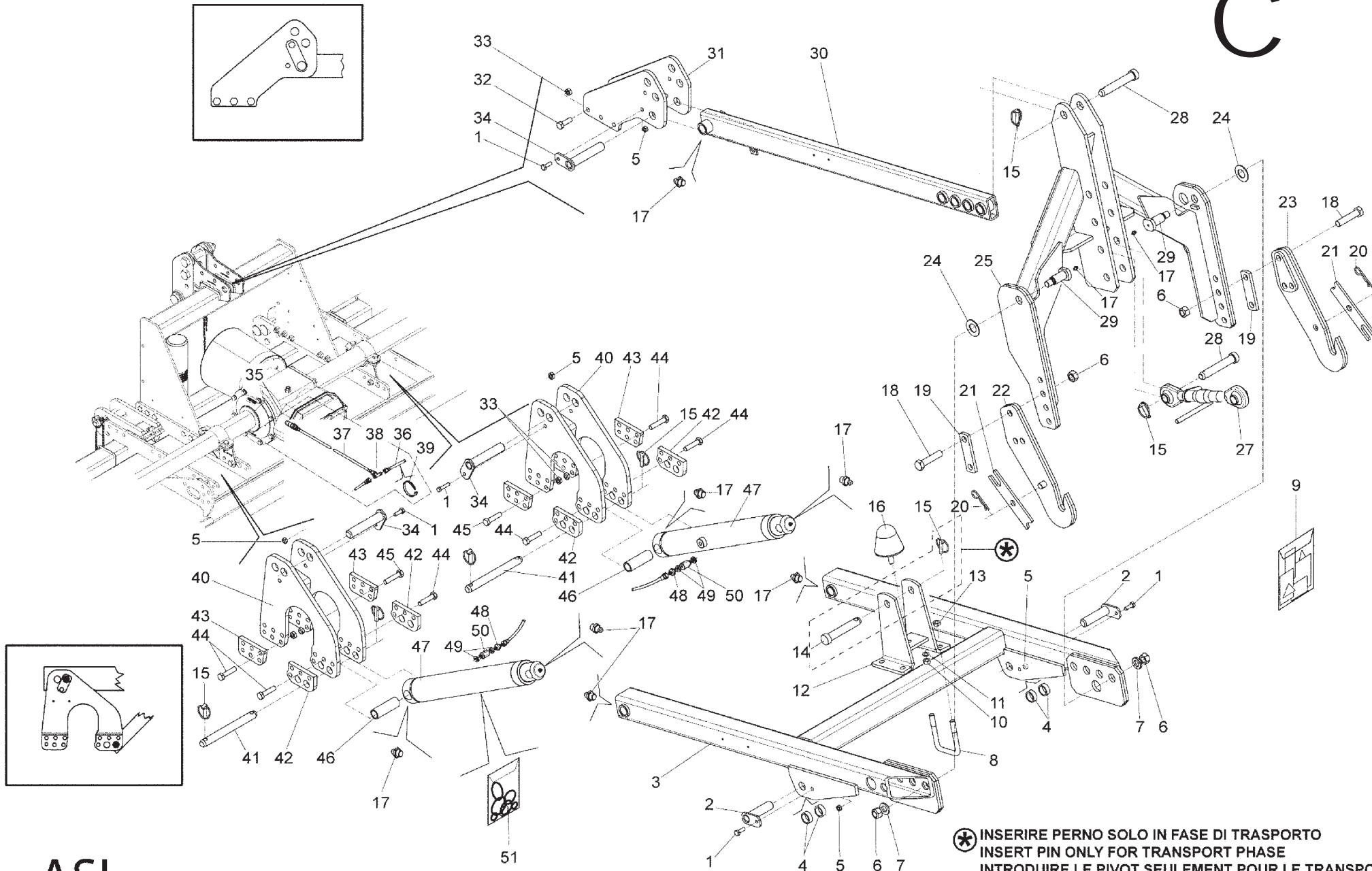
DX-RH-DRT-RCH-DER - 6
SX-LH-GCH-LNK-IZQ - 7



23 - DX-RH-DRT-RCH-DER
24 - SX-LH-GCH-LNK-IZQ



POS	CODICE	DESCRIZIONE	DESCRIPTION	DESCRIPTION	BENENNUNG	DESCRIPCION
1	F01010281	VITE M12X1,25X25 U5740 8.8 ZN	BOLT M 12X1,25X25	VIS M 12X1,25X25	SCHRAUBE M 12X1,25X25	TORNILLO M 12X1,25X25
2	M26100735	VOMERINO A DISCO	DISC PLOW	SOC	SEITLICHE SCHEIBE	REJA
3	M66100740	MOZZO PER VOMERINO	HUB	MOYEU	NABE	CUBO
4	F01220047	DADO M12X1,25 D980 8 ZN	NUT M12X1,25 D980 8 ZN	ECROU M12X1,25 D980 8 ZN	MUTTER M12X1,25 D980 8 ZN	TUERCA M12X1,25 D980 8 ZN
5	F03010305	ANELLO DI TENUTA 50X65X8 RP	OIL SEAL 50X65X8	PARE-HUILE 50X65X8	OELABDICHTUNG 50X65X8	PARA-ACEITE 50X65X8
6	M66100710	COMP. BRACCIO SUPP.VOMERINO DX	RIGHT PLOUGHSHARE SUPPORT	SUPPORT SOC DROIT	SCHEIBENHALTER RECHTS	REJA DERECHO
7	M66100711	COMP. BRACCIO SUPP.VOMERINO SX	LEFT PLOUGHSHARE SUPPORT	SUPPORTO SOC GAUCHE	SCHEIBENHALTER LINKS	REJA IZQUIERDO
8	F01100011	ING.M 6X1 7663-A 9SMNPB28 ZN	GREASE NIPPLE M6X1 7663-A ZN	GRAISS. A BILLE M6X1 7663A ZN	SCHMIERBUECHE M6X1 7663-A ZN	ENGRAS. DE ESFERAS M6X1 7663-A
9	F04100027	KIT CUSCINETTI (32007)	BEARING SET (32007)	KIT ROULEMENT	LAGERSATZ (32007)	KIT COJINETE (32007)
10	F02010022	GHIERA AU.GUK M35X1,5 T.4H ZN	SELF LOCKING NUT M35X1,5	COLLIER AUTOBL. M35X1,5	SELBSTSP. NUTMUTTER M35X1,5	VIOLA AUTOBL. M35X1,5
11	F03011047	TAPPO CHIUSURA D=68 X 10 GA	COVER D. 68X10	COUVERCLE D. 68X10	DECKEL D. 68X10	TAPA D. 68X10
12	M66100705	COMP. SUPPORTO VOMERINI	SUPPORT	SUPPORT	HALTER	SOPORTE
13	F01220070	DADO M16X 1,5 D980 8 ZN	NUT M16X 1,5 D980 8 ZB	ECRO.M16X 1,5 D980 8 ZB	MUTT.M16X 1,5 D980 8 ZB	TUER.M16X 1,5 D980 8 ZB
14	F01030055	VITE M 8X1,25X20 U5933 10.9 ZD	SCREW M8X1.25X20 U5933 10.9 ZD	VIS M 8X20	SCHRAUBE M 8X20	TORNILLO M 8X20
15	F20110810	CAV.Q.M16X 2X 40 138X115 ZN	CONNECTION	ATTELAGE	AERBINDUNG	ATAQUE
16	M36200370	CAVALLOTTO M16X115 INT.80 ZN	STIRRUP	BRIDE T=80 M=16X1,5 L=115	ANSCHLUSS	ATAQUE
17	F02100227	SPINA E.S. 6X 36 U6875 C70 BR	ELASTIC PIN 6X36	GOUJON ELASTIQUE 6X36	SPANNHUELSE 6X36	ESPINA ELASTICA 6X36
18	F02200374	COPIGLIA R 4X 82 ZN	SPRING SPLIT PIN 4X82	GOUPILLE 4X82	SPLINT 4X82	PASADOR 4X82
19	M21100339	PERNO CILINDRO IDRAULICO ZNT	PIN	GOUJON	BOLZEN	PERNO
20	M66100702	COMP. SUPP. CON REG. VOMERINI	ADJUSTER	REGISTRE	REGULIERUNG	REGISTRO
21	F01220022	DADO M 8X1,25 D980 8 ZN	NUT M8X 1,25 D980 8 ZN	ECROU M8X 1,25 D980 8 ZN	MUTTER M8X 1,25 D980 8 ZN	TUERCA M8X 1,25 D980 8 ZN
22	M26100734	FERMO DI SICUREZZA	LOCK	ARRET	BLOCKIERUNG	PARADO
23	M66192305	COMP.P.VOMERINO DX B2-C2-SC-G2	DISC PLOW DX	SOC DROIT	SEITLICHE SCHEIBE DX	REJA DX
24	M66192306	COMP.P.VOMERINO SX B2-C2-SC-G2	DISC PLOW SX	SOC GAUCHE	SEITLICHE SCHEIBE SX	REJA SX
25	F03151006	CALOTTA D.52	COVER	COUVERCLE	DECKEL	TAPA
26	F01230098	DADO M18X 2,5 D982 8 ZN	NUT M18X 2,5 D982 8 ZN	ECROU M18X 2,5 D982 8 ZN	MUTTER M18X 2,5 D982 8 ZN	TUERCA M18X 2,5 D982 8 ZN
27	F04010170	CUSC.D25 D52 B15 6205 2RS EX>	BEARING D25 D52 B15 6205 2RS	ROULEMENT 6205 2RS	LAGER 6205 2RS	COJINETE 6205 2RS
28	M66100723	DISTANZIALE CUSCINETTI	SPACER	ENTRETOISE	DISTANZSTUECK	DISTANCIADOR
29	M66100722	RUOTA D. 320 X 135	WHEEL	ROUE	RAD	RUEDA
30	F04010170	CUSC.D25 D52 B15 6205 2RS EX>	BEARING D25 D52 B15 6205 2RS	ROULEMENT 6205 2RS	LAGER 6205 2RS	COJINETE 6205 2RS
31	F01410157	ROS.M27 28X 50X 4 U6592 ZN	WASHER M27 28X50X4 U6592 ZB	RONDELLE M27 28X50X4 U6592 ZB	SCHEIBE M27 28X50X4 U6592 ZB	ARANDELA M27 28X50X4 U6592 ZB
32	M66100724	COMP. ATTACCO RUOTA DX	RH WHEELARM	BRAS RUE DROITE	RAD STANGE RECHTS	BRAZO RUEDA COMP.DERCHA
33	M66100725	COMP. ATTACCO RUOTA SX	LH WHEELARM	BRAS RUE GAUCHE	RAD STANGE LINKS	BRAZO RUEDA COMP.IZQUIERDA
34	F20110790	CAVALLOTTO M16X145 INT.98 ZN	STIRRUP	BRIDE M16X145 INT.98 ZN	ANSCHLUSS	ATAQUE
35	F02200374	COPIGLIA R 4X 82 ZN	SPRING SPLIT PIN 4X82	GOUPILLE 4X82	SPLINT 4X82	PASADOR 4X82
36	M26100713	PERNO BLOCCAGGIO RUOTA	WHEEL ADJUSTER PIN	GOUJON	BOLZEN	PERNO
37	M66100707	COMP. SUPPORTO ANCORA E RUOTE	SUPPORT	SUPPORT	HALTER	SOPORTE
38	F01220047	DADO M12X1,25 D980 8 ZN	NUT M12X1,25 D980 8 ZN	ECROU M12X1,25 D980 8 ZN	MUTTER M12X1,25 D980 8 ZN	TUERCA M12X1,25 D980 8 ZN
39	M66100738	PRECOMP. RUOTA ANTERIORE DX	WHEEL RIGHT	ROUE DROITE	RAD RECHTS	RUEDA DERECHA
40	M66100739	PRECOMP. RUOTA ANTERIORE SX	WHEEL LEFT	ROUE GAUCHE	RAD LINKS	RUEDA IZQUIERDA
41	M66100706	ANCORA PER ROMPIRACCA	TOOTH FOR TRACK ERADICATOR	POINTE POUR DENTS EFFACEUSE	UNTERGRUNDLOCKERER	PUNTA PARA BORROHUELLA
42	F20120010	VOMERINO REVERSIBILE	DISC PLOW	SOC	SEITLICHE SCHEIBE	REJA
43	M00552048	VITE M10X1,5X50 5933 8.8 ZN	BOLT M10X1,5X50 5933 8.8 ZN	VIS M10X1,5X50 5933 8.8 ZN	SCHRAUBE M10X1,5X50 5933 8.8 ZN	TORNILLO M10X1,5X50 5933 8.8 ZN

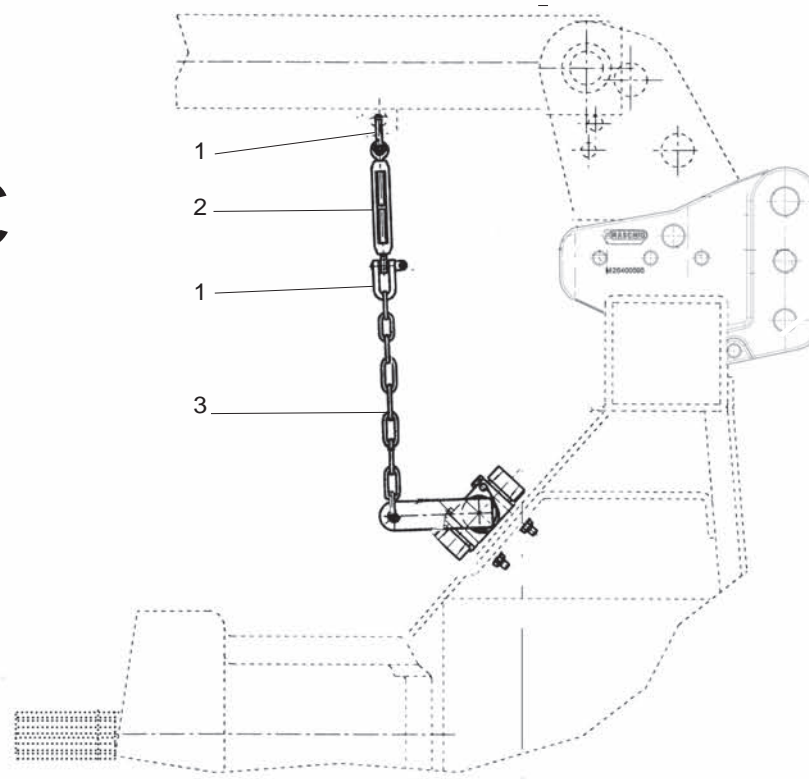


ASI

* INSERIRE PERNO SOLO IN FASE DI TRASPORTO
 INSERT PIN ONLY FOR TRANSPORT PHASE
 INTRODUIRE LE PIVOT SEULEMENT POUR LE TRANSPORT
 STECKEN SIE DEN BOLZEN NUR FÜR DEN TRANSPORT EIN
 INTRODUCIR EL PERNO SOLO PARA EL TRANSPORTE

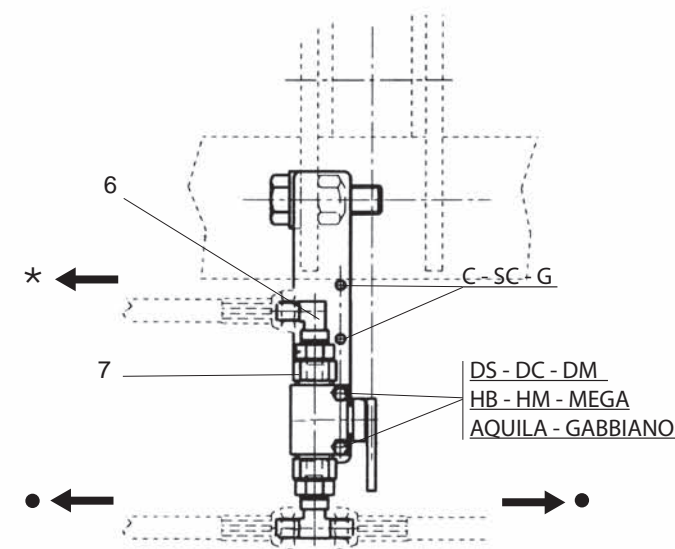
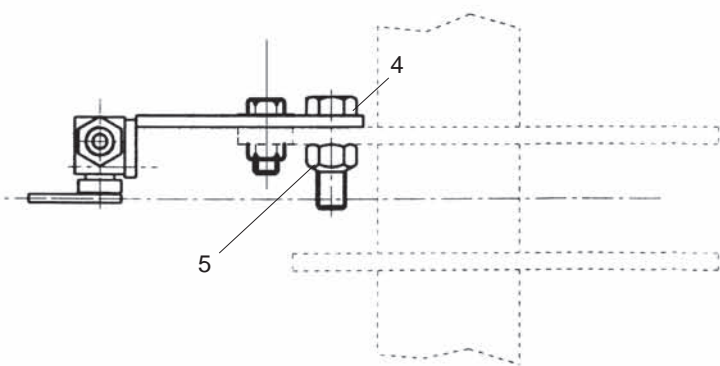
POS	CODICE	DESCRIZIONE	DESCRIPTION	DESCRIPTION	BENENNUNG	DESCRIPCION
1	F01010250	VITE M10X1,25X30 U5740 8.8 ZN	BOLT M10X1,25X30 U5740 8.8 ZB	VIS M10X1,25X30 U5740 8.8 ZB	SCHR.M10X1,25X30 U5740 8.8 ZB	TORN.M10X1,25X30 U5740 8.8 ZB
2	M36200989	COMP. PERNO STELO MART.	PIN	GOUJON	BOLZEN	PERNO
3	M72100801	COMP.BRACCIO INFERIORE A.S.I.	LOWER ARM	BRAS INFERIEURE	UNTERE STANGE	BRAZO INFEROR
4	M36200944	DISTANZIALE D=38 D=30 L=9	SPACER	ENTRETOISE	DISTANZSTUECK	DISTANCIADOR
5	F01220034	DADO M10X1,25 D980 8 ZN	NUT M10X1,25 D980 8 ZB	ECRO.M10X1,25 D980 8 ZB	MUTT.M10X1,25 D980 8 ZB	TUER.M10X1,25 D980 8 ZB
6	F01220093	DADO M20X 1,5 D980 8 ZN	SELF LOCKING NUT M20X1,5 D980	ECROU AUTOBL. M20X1,5	SELBSTSPERR.MUTTER M20X1,5	TUERCA AUTOBL. M20X1,5
7	M27100644	RONDELLA Z.P.G.	WASHER	RONDELLE	SCHEIBE	ARANDELA
8	F20110790	CAVALLOTTO M16X115 INT.80 ZN	STIRRUP	BRIDE T=80 M=16X1,5 L=115	ANSCHLUSS	ATAQUE
9	M47400226	KIT ETICHETTE SICUREZZA X ASI	SECURITY LABELS	ETIQUETTES DE SECURITE	SICHERUNG AUFKLEBER	CALCOMANIA DE PELIGRO
10	F01200110	DADO M16X 2 U5587 6.8 ZN	NUT M16	ECROU M16	MUTTER M16	TUERCA M16
11	F01480145	ROS.G 17X29 X 5 EX.C70 ZN	GROWER WASHER D.16	RONDELLE GROWER D.16	SCHEIBE GROWER D.16	ARANDELA GROWER D.16
12	M36200941	COMP. BLOCCO SUPERIORE	UPPER LOCK	BLOC SUPERIEURE	OBERE ENDMASS	BLOQUE SUP.
13	F01220070	DADO M16X 1,5 D980 8 ZN	NUT M16X 1,5 D980 8 ZB	ECRO.M16X 1,5 D980 8 ZB	MUTT.M16X 1,5 D980 8 ZB	TUER.M16X 1,5 D980 8 ZB
14	F20100062	PERNO 25X128 ZN	3RD POINT PIN	GOUJON 3EME POINT	BOLZEN 3. PUNKT	PERNO 3 PUNTO
15	F022000529	SPINA SCATTO D.11 ZN	SNAP PIN D.11	FICHE A DETENTE D.11	EINRASTSTIFT D.11	CLAVIJA DE MUELLE D.11
16	F05150011	PUFFER PARACOLPI ART.741278	RUBBER BUFFER	BUFFER CAOUTCHOUC	PUFFER	PUFFER
17	F01100048	ING.M 8X1,25 7663A 9SMNPB28 ZN	SPHERE NIPPLE M8X 1,25 A	GRAISSEUR A BILLES M8 X 1-25 A	KUGELFETTBSCHSE M8 X 1-25 A	ENGRAS. DE ESFERAS M8 X 1-25 A
18	F01010173	VITE M20X1,5 X 90 5738 8.8 ZN	BOLT M 16X1,5X90	VIS M 16X1,5X90	SCHRAUBE M 16X1,5X90	TORNILLO M 16X1,5X90
19	M36200982	PIATTO RINFORZO FORI	REINFORCEMENT	REINFORCEMENT	VERSTAERKUNG	REFUERZO
20	F02200374	COPIGLIA R 4X 82 ZN	SPLIT PIN 4X82	GOUPILLE 4X82	SPLINT 4X82	PASADOR 4X82
21	M47400214	FERMO GANCIO ZN	HOOK STOPPER	BLOCAGE DU CROCHET	HAKEN HALTERUNG	CIERRE GANCIO
22	M47400216	GANCIO SX ATTACCO SEMINATRICE	LEFT HOOK SEEDDRILL	CROCHET GAUCHE ATT.SEM.	LINKS HACKEN ANBAUTEIL	GANCIO IZQUIERDO ENG.SEM.
23	M47400215	GANCIO DX ATTACCO SEMINATRICE	RIGHT HOOK SEEDDRILL	CROCHET DROIT ATT.SEM.	RECHTS HACKEN ANBAUTEIL	GANCIO DERECHO ENG.SEM.
24	F01470033	ROS.T 30,5X 58X 2.8 ZN	SPRING WASHER D.30,5	RESSORT A DISQUES D.30,5	FEDER D.30,5	MUELLE DISCO D.30,5
25	M47400200	COMP. TELAIO SUPERIORE 3°P.	UPPER FRAME	CHASSIS 3° P.	OBERER RAHMEN 3° P.	CHASSIS SUP.
27	F20300001	MART*M.L= 350 L= 286 D=25,5 ZN	3RD POINT STRETCHER	TENDEUR 3EME POINT	3.PUNKT ZUGSTANGE	ENSOR TERCER PUNTO
28	F20100062	SPINA GASPARDO 25X128 ZN	3RD POINT PIN	GOUJON 3EME POINT	BOLZEN 3. PUNKT	PERNO 3 PUNTO
29	M36200986	PERNO SNODI	PIN	PIVOT	BOLZEN	PERNO
30	M47400400	BRACCIO SUPERIORE	UPPER ARM	BRAS SUPERIEURE	OBERE STANGE	BRAZO SUP.
31	M74100806	COMP.ATTACCO BRACCIO SUP	STIRRUP LINKAGE	ATTELAGE ETRIER	BUEGELLINK	ESTRIBO ATAQUE
32	F01010082	VITE M14X1,5 X50 U5738 8.8 ZN	BOLT M 14X1,5X50	VIS M 14X1,5X50	SCHRAUBE M 14X1,5X50	TORNILLO M 14X1,5X50
33	F01220059	DADO M14X 1,5 D980 8 ZN	NUT M14X 1,5 D980 8 ZB	ECROU M14X 1,5 D980 8 ZB	MUTTER M14X 1,5 D980 8 ZB	TUERCA M14X 1,5 D980 8 ZB
34	M36200987	PERNO SNODI A.S.I.	PIN	GOUJON	BOLZEN	PERNO
35	M66100802	KIT MONTAGGIO TUBI ID.A.S.I.B2	COMPLETE HYDRAULIC TUBE	TUBE HYDRAULIQUE COMPLET	KOMPL.HYDR. SCHLAUCH	TUBO IDRAULICO COMPLETO
36	F03050229	TR 2SN 1/4" FD1/4 F901/4 1200	HYDRAULIC TUBE L.1200	TUBE HYDRAUL. L.1200	HYDRAUL. ROHR L.1200	TUBO HYDRAULICO L.1200
37	M58100890	PREMONT.TUB.IDR.MART.LAT. GUA	HYDRAULIC TUBE	TUBE HYDRAUL.	HYDRAUL. ROHR	TUBO HYDRAULICO
38	F03150879	ADATT. A T DA 1/4	T CONNECTION 1/4"	CONNECTION A T 1/4"	T VERBINDUNG 1/4"	JUNTURA A T 1/4"
39	F05150069	FASCETTA NERA	BLACK BAND	BANDE NOIR	SCHWARZE BAND	CINTA
40	M47400218	BASE ATTACCO A.S.I.	BASE LINKAGE	BASE ATTELAGE	BASISVERB.	BASE ATAQUE
41	M66100803	PERNO Z=25 L=245 ZN	PIN	GOUJON	STIFT	PERNO
42	M47400300	RINFORZO FORI ANTERIORE	FRONT REINFORCEMENT	RENFORCEMENT AVANT	VORDERE VERSTAERKUNG	REFUERZO ANTERIOR
43	M47400301	RINFORZO POSTERIORE	REAR REINFORCEMENT	RENFORCEMENT ARRIERE	HINTERE VERSTAERKUNG	REFUERZO POSTERIOR
44	F01010088	VITE M14X1,5 X60 U5738 8.8 ZN	BOLT M 14X1,5X60	VIS M 14X1,5X60	SCHRAUBE M 14X1,5X60	TORNILLO M 14X1,5X60
45	F01010089	VITE M14X1,5 X65 U5738 8.8 ZN	BOLT M 14X1,5X65	VIS M 14X1,5X65	SCHRAUBE M 14X1,5X65	TORNILLO M 14X1,5X65
46	M36200305	DISTANZIALE ZN	SPACER	ENTRETOISE	DISTANZSTUECK	DISTANCIADOR
47	M47400225	MARTINETTO IDRAULICO	HYDRAULIC CYLINDER	CILINDRE HYDRAULIQUE	HYDR. ZYLINDER	PISTON HYDRAULICO
48	F03150266	NIPPLO MM CIL-CIL 1/4-1/4 ZN	NIPPLE GALV.CYL.MALE 1/4 ZN	NIPPLE MALE CYL. 1/4 ZN	NIPPELZYL. 1/4 ZN	NIPLE MACHO CIL. 1/4 ZN
49	F01500012	RONDELLA IN RAME 1/4"	WASHER 14	RONDELLE CUIVRE D. 14	KUPFERSCHEIBE 14	ARANDELA 14
50	F03150498	VALVOLA DI BLOCCO AUTOMAT.ZN	AUTOMATIC LOCKING VALVE	SOUPAPE D'ARRET AUTOMATIQUE	AUTOM. VENTIL	VALVULA DE CRIERRE AUTOMATICA
51	F03100165	KIT GUAR.MAR.72100814 A.S.I.G2	GASKET SETS	SERIE JOINTS	DICHTUNGSSATZ	SERIE JUNTAS

C - SC



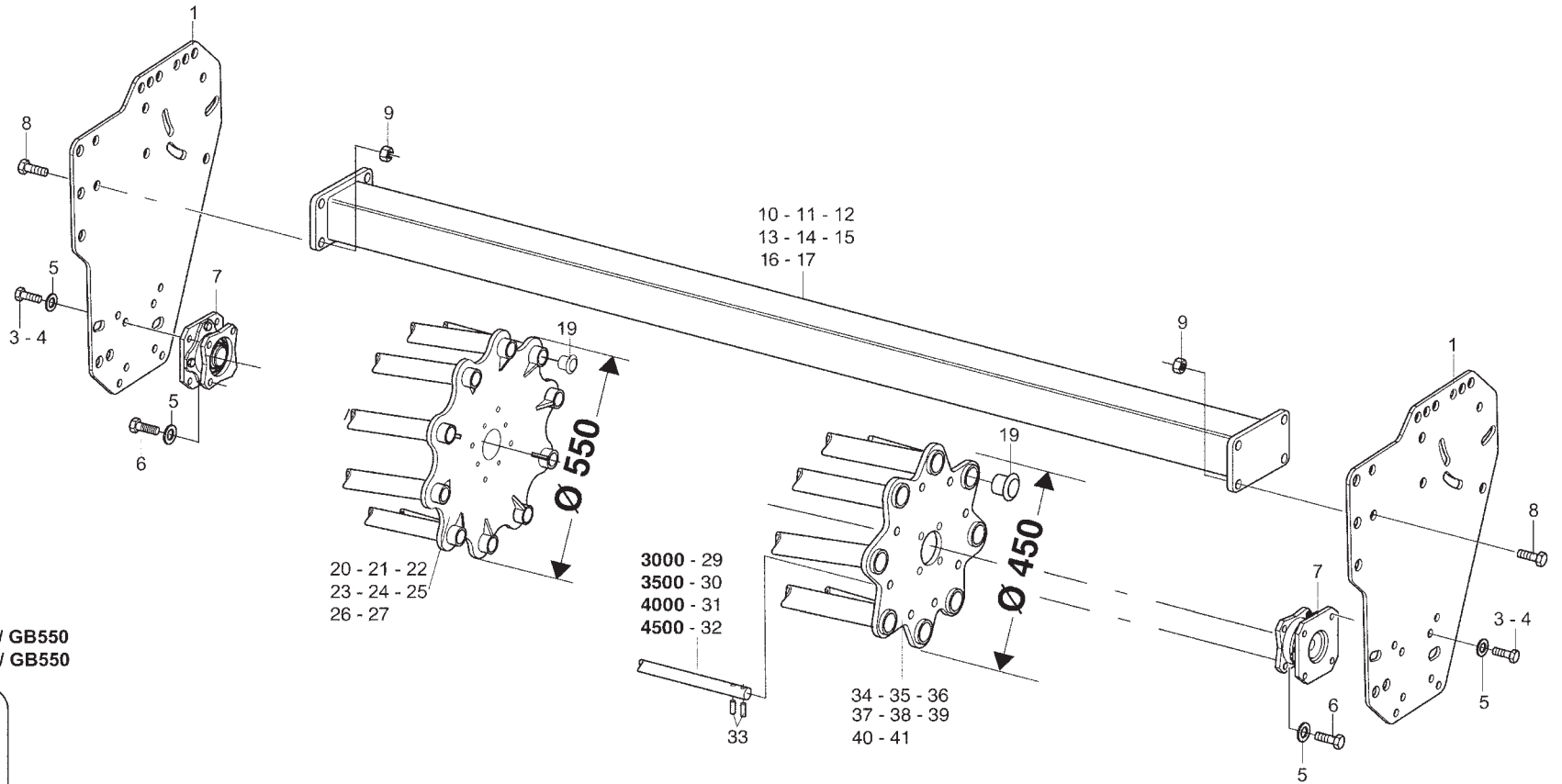
★ AL TRATTORE TO TRACTOR AU TRACTEUR AN SCHLEPPER AL TRACTOR	● AL MARTINETTO TO JACK AU VERIN AN EBEBOCK AL GATO
---	--

DISPOSITIVO DI FINE CORSA PER ASI
STROKE LIMITING DEVICE FOR ASI
ANSCHLAGVORRICHTUNG FUR ASI
DISPOSITIF DEFIN DE COURSE POUR ASI
DISPOSITIVO DE TOPE PARA EL ASI

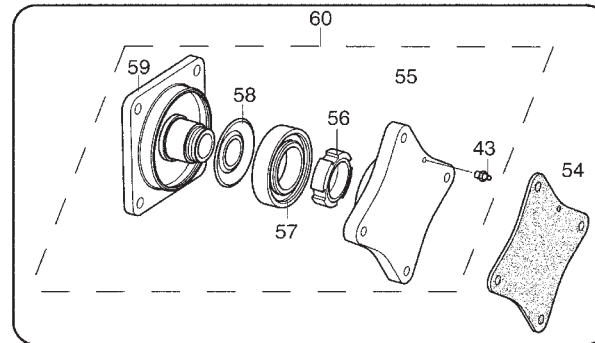
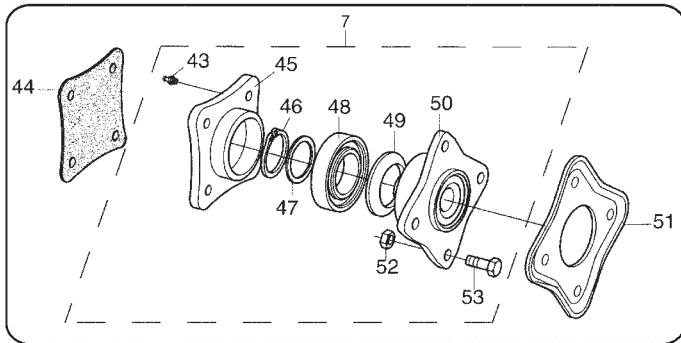
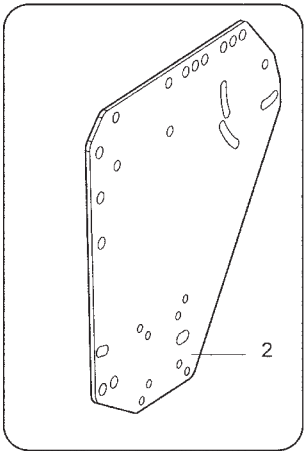


POS	CODICE	DESCRIZIONE	DESCRIPTION	DESCRIPTION	BENENNUNG	DESCRIPCION
1	F02250601	GRILLO M5 U1947A ZN	U-HOOK M5	U-CROCHET M5	U-HACKEN M5	U-GANCIO M5
2	F06140021	TENDITORE M5 A 2 OCCHI	TENSIONER	TENDEUR	SPANNER	SENSOR
3	F01020416	VITE M 6X 1X 55 U5739 8.8 ZN	BOLT M 6X 1X 55 U5739 8.8 ZN	VIS M 6X 1X 55 U5739 8.8 ZN	SCHR.M 6X 1X 55 U5739 8.8 ZN	TORN.M 6X 1X 55 U5739 8.8 ZN
4	F01010169	VITE M20X1,5 X 65 5738 8.8 ZN	BOLT M 20X1,5X65	VIS M 20X1,5X65	SCHRAUBE M 20X1,5X65	TORNILLO M 20X1,5X65
5	F01220093	DADO M20X 1,5 D980 8 ZN	SELF LOCKING NUT M20X1,5 D980	ECROU AUTOBL. M20X1,5	SELBSTSPERR.MUTTER M20X1,5	TUERCA AUTOBL. M20X1,5
6	F03150839	ADATT. A 90° ORIENT.1/4	90° ADAPTOR	ADAPTEUR 90°	PASSTUECK 90°	ADAPTADOR 90°
7	F03100024	ROS. 21 X27X1,5 RAME -1/2"	COPPER WASHER 1/2" GAS	RONDELLE CUIVRE 1/2" GAS	KUPFERSCHEIBE 1/2" GAS	ARANDELA 1/2" GAS

TAV. GB01



PER: PK600 / GM600 / SP600 / GB550
 FOR: PK600 / GM600 / SP600 / GB550

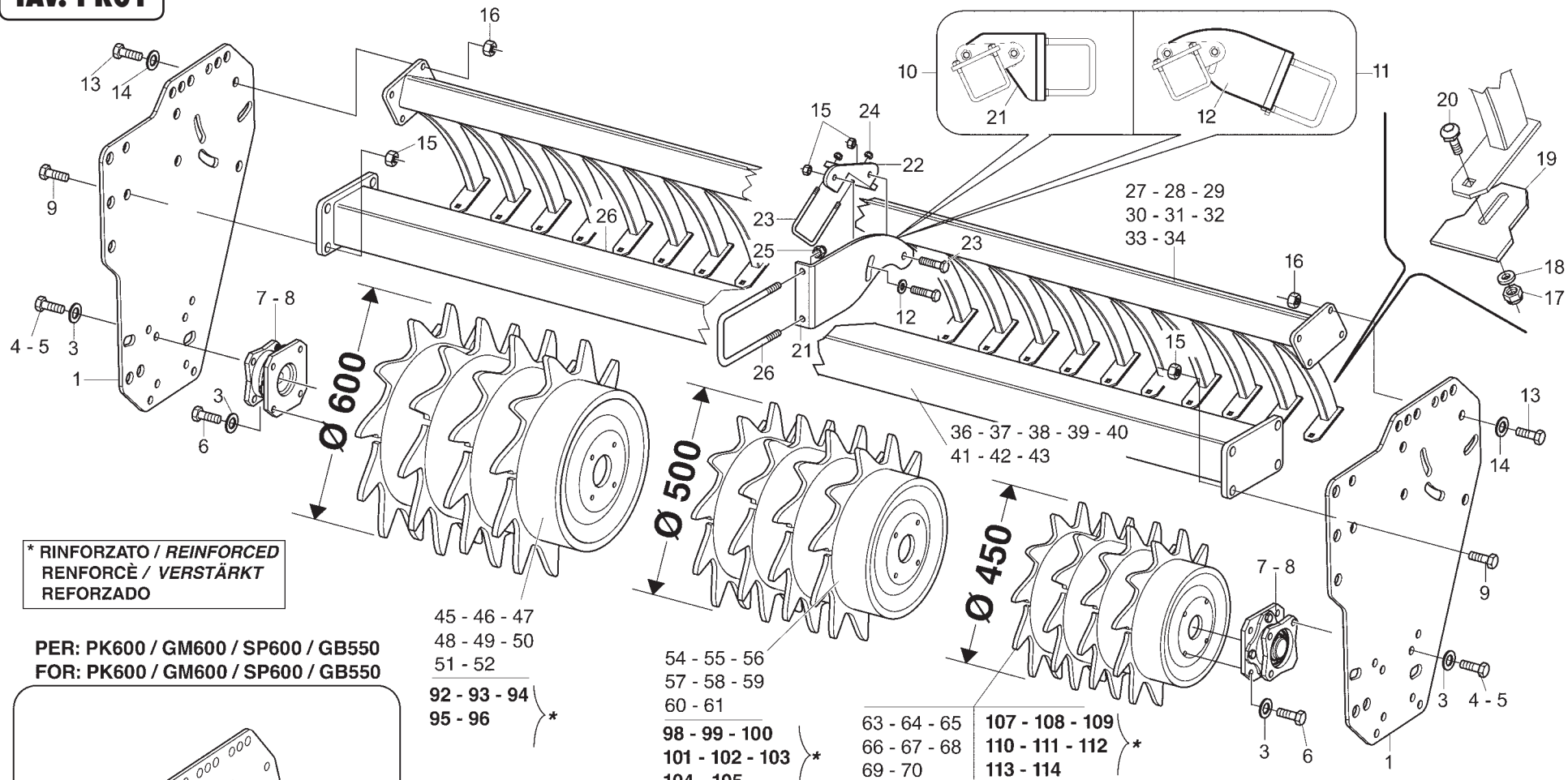


POS	CODICE	DESCRIZIONE	DESCRIPTION	DESCRIPTION	BENENNUNG	DESCRIPCION	TAV. GB01
1	M43400700	FIANCATA RULLO PICCOLA	ROLLER SIDE PANEL SMALL	COTE ROULEAU GAUCHE PETIT	WALZENSEITENWAND KLEIN	FLANCO RODILLO PEQUEÑA	
2	M43400701	FIANCATA RULLO GRANDE	ROLLER SIDE PANEL BIG	COTE ROULEAU GAUCHE GRAND	WALZENSEITENWAND GROSS	FLANCO RODILLO GRANDE	
3	F01010283	VITE M12X1,25X30 U5740 8.8 ZN	BOLT M 12X1,25X30	VIS M 12X1,25X30	SCHRAUBE M 12X1,25X30	TORNILLO M 12X1,25X30	
4	F01010288	VITE M12X1,25X35 U5740 8.8 ZN	SCREW M12X1,25X35 U5740 8.8 ZN	VIS M12X1,25X35 U5740 8.8 ZN	SCHR.M12X1,25X35 U5740 8.8 ZN	TORN.M12X1,25X35 U5740 8.8 ZN	
5	F01480123	ROS.G 12,5X22,9X 4 EX.C70 ZN	WASHER M12 ZGP EXTRA P.	RONDELLE M12 ZGP EXTRA P.	UNTERLEGSSCHEIBE M12 ZGP EXTRA	ARANDELA M12 ZGP EXTRA P.	
6	F01010291	VITE M12X1,25X40 U5740 8.8 ZN	SCREW M12X1,25X40 U5740 8.8 ZN	VIS M12X1,25X40 U5740 8.8 ZN	SCHR.M12X1,25X40 U5740 8.8 ZN	TORN. M12X1,25X40 U5740 8.8 ZN	
7	M43400467	COMP.SUPP.CUSC.OSCIL.H42 X RIC	COMPLETE BEARING SUPPORT H42	SUPPORT ROULEMENT H.42 RIC.	LAGERHALTERUNG H.42 P.GETRIEBE	SOPORTE COJINETE H.42 RIC.	
8	F01010341	VITE M16X1,5 X45 U5740 8.8 ZN	BOLT M16X1,5 X45 U5740 8.8 ZB	VIS M16X1,5 X45 U5740 8.8 ZB	SCHR.M16X1,5 X45 U5740 8.8 ZB	TORN.M16X1,5 X45 U5740 8.8 ZB	
9	F01220070	DADO M16X 1,5 D980 8 ZN	NUT M16X 1,5 D980 8 ZB	ECRO.M16X 1,5 D980 8 ZB	MUTT.M16X 1,5 D980 8 ZB	TUER.M16X 1,5 D980 8 ZB	
10	M43418457	TRAVE ANTERIORE RULLO 1500C	BEAM 1500C	POUTRE 1500C	HAUPTTRAEGER 1500C	VIGA 1500C	
11	M43420457	TRAVE ANTERIORE RULLO 2000A	BEAM 2000A	POUTRE 2000A	HAUPTTRAEGER 2000A	VIGA 2000A	
12	M43423457	TRAVE ANTERIORE RULLO 2000C	BEAM 2000C	POUTRE 2000C	HAUPTTRAEGER 2000C	VIGA 2000C	
13	M43425457	TRAVE ANTERIORE RULLO 2500A	BEAM 2500A	POUTRE 2500A	HAUPTTRAEGER 2500A	VIGA 2500A	
14	M43430457	TRAVE ANTERIORE RULLO 3000A	BEAM 3000A	POUTRE 3000A	HAUPTTRAEGER 3000A	VIGA 3000A	
15	M43435457	TRAVE ANTERIORE RULLO 3500A	BEAM 3500A	POUTRE 3500A	HAUPTTRAEGER 3500A	VIGA 3500A	
16	M43440457	TRAVE ANTERIORE RULLO 4000A	BEAM 4000A	POUTRE 4000A	HAUPTTRAEGER 4000A	VIGA 4000A	
17	M43445457	TRAVE ANTERIORE RULLO 4500A	BEAM 4500A	POUTRE 4500A	HAUPTTRAEGER 4500A	VIGA 4500A	
19	F05100019	TAPPO AD ALETTA D. 34 PLT	PLUG D.34	BOUCHON FERMETURE D.34	VERSCHLUSSPFROPFEN D.34	TAPON CLAUSSURA D.34	
20	M23418714	ROTORE*RULLO GB.550 1500C	CAGE ROLLER ROTOR GB.550 1500C	ROTOR GB.550 1500C	STABWALZEROTOR GB.550 1500C	ROTOR RODIL.BARR.GB.550 1500C	
21	M23420714	ROTORE*RULLO GB.550 2000A	CAGE ROLLER ROTOR GB.550 2000A	ROTOR GB.550 2000A	STABWALZEROTOR GB.550 2000A	ROTOR RODIL.BARRAS GB.550 2000	
22	M23423714	ROTORE*RULLO GB.550 2000C	CAGE ROLLER ROTOR GB.550 2000C	ROTOR GB.550 2000C	STABWALZEROTOR GB.550 2000C	ROTOR RODIL.BARR.GB.550 2000C	
23	M23425714	ROTORE*RULLO GB.550 2500A	CAGE ROLLER ROTOR GB.550 2500A	ROTOR GB.550 2500A	STABWALZEROTOR GB.550 2500A	ROTOR RODIL.BARRAS GB.550 2500	
24	M23430714	ROTORE*RULLO GB.550 3000A	CAGE ROLLER ROTOR GB.550 3000A	ROTOR GB.550 3000A	STABWALZEROTOR GB.550 3000A	ROTOR RODIL.BARRAS GB.550 3000	
25	M23435714	ROTORE*RULLO GB.550 3500A	CAGE ROLLER ROTOR GB.550 3500A	ROTOR GB.550 3500A	STABWALZEROTOR GB.550 3500A	ROTOR RODIL.BARRAS GB.550 3500	
26	M23440714	ROTORE*RULLO GB.550 4000A	CAGE ROLLER ROTOR GB.550 4000A	ROTOR GB.550 4000A	STABWALZEROTOR GB.550 4000A	ROTOR RODIL.BARRAS GB.550 4000	
27	M23445714	ROTORE*RULLO GB.550 4500A	CAGE ROLLER ROTOR GB.550 4500A	ROTOR GB.550 4500A	STABWALZEROTOR GB.550 4500A	ROTOR RODIL.BARRAS GB.550 4500	
28	M43425474	TUBO D=30 S=2,8 2500A	PIPE D=30 S=2,8	TUBE D=30 S=2,8	ROHR D=30 S=2,8	TUBO D=30 S=2,8	
29	M43430474	TUBO D=30 S=2,8 3000A	PIPE D=30 S=2,8	TUBE D=30 S=2,8	ROHR D=30 S=2,8	TUBO D=30 S=2,8	
30	M43435474	TUBO D=30 S=2,8 3500A	PIPE D=30 S=2,8	TUBE D=30 S=2,8	ROHR D=30 S=2,8	TUBO D=30 S=2,8	
31	M43440474	TUBO D=30 S=2,8 4000A	PIPE D=30 S=2,8	TUBE D=30 S=2,8	ROHR D=30 S=2,8	TUBO D=30 S=2,8	
32	M43445474	TUBO D=30 S=2,8 4500A	PIPE D=30 S=2,8	TUBE D=30 S=2,8	ROHR D=30 S=2,8	TUBO D=30 S=2,8	
33	F02100142	SPINA E.P. 8X 40 U6873 C70 BR	ELASTIC PIN 8X40	GOUJON ELASTIQUE 8X40	SPANNHUELSE 8X40	ESPINA ELASTICA 8X40	
34	M43418473	ROTORE RULLO GB 450 1500C	CAGE ROLLER ROTOR D=450 1500C	ROTOR ROULEAU A CAGE 450 1500C	STABWALZEROTOR D=450 1500C	ROTOR RODILLO BARRAS 450 1500C	
35	M43420473	ROTORE RULLO GB 450 2000A	CAGE ROLLER ROTOR D=450 2000A	ROTOR ROULEAU A CAGE 450 2000A	STABWALZEROTOR D=450 2000A	ROTOR RODILLO BARRAS 450 2000A	
36	M43423473	ROTORE RULLO GB 450 2000C	CAGE ROLLER ROTOR D=450 2000C	ROTOR ROULEAU A CAGE 450 2000C	STABWALZEROTOR D=450 2000C	ROTOR RODILLO BARRAS 450 2000C	
37	M43425473	ROTORE RULLO GB 450 2500A	CAGE ROLLER ROTOR D=450 2500A	ROTOR ROULEAU A CAGE 450 2500A	STABWALZEROTOR D=450 2500A	ROTOR RODILLO BARRAS 450 2500A	
38	M43430473	ROTORE RULLO GB 450 3000A	CAGE ROLLER ROTOR D=450 3000A	ROTOR ROULEAU A CAGE 450 3000A	STABWALZEROTOR D=450 3000A	ROTOR RODILLO BARRAS 450 3000A	
39	M43435473	ROTORE RULLO GB 450 3500A	CAGE ROLLER ROTOR D=450 3500A	ROTOR ROULEAU A CAGE 450 3500A	STABWALZEROTOR D=450 3500A	ROTOR RODILLO BARRAS 450 3500A	
40	M43440473	ROTORE RULLO GB 450 4000A	CAGE ROLLER ROTOR D=450 4000A	ROTOR ROULEAU A CAGE 450 4000A	STABWALZEROTOR D=450 4000A	ROTOR RODILLO BARRAS 450 4000A	
41	M43445473	ROTORE RULLO GB 450 4500A	CAGE ROLLER ROTOR D=450 4500A	ROTOR ROULEAU A CAGE 450 4500A	STABWALZEROTOR D=450 4500A	ROTOR RODILLO BARRAS 450 4500A	
43	F01100011	ING.M 6X1 7663-A 9SMNPB28 ZN	GREASE NIPPLE M6X1 7663-A ZN	GRAISS. A BILLE M6X1 7663A ZN	SCHMIERBUECHE M6X1 7663-A ZN	ENGRAS. DE ESFERAS M6X1 7663-A	
44	M43400704	GUARNIZIONE METALLICA H42	GASKET H42	JOINT H42	DICHTUNG H42	JUNTA	
45	M23400439	FLANGIA SUPP. RULLO OSC. H. 42	SUPPORT FLANGE H.42	SUPPORT H.42	HALTER H.42	SOPORTE H.42	
46	F02050168	ANELLO E. DE 40X1,75 U7435 C70	SEEGER RING 40X1,75 U7435 C70	BAGUE SEEGER 40X1,75 U7435 C70	SEEGERRING 40X1,75 U7435 C70	ANIL. SEEGER 40X1,75 U7435 C70	
47	M48000307	ANELLO RINF.40X50X1,5 C70 TEMP	STIFFENER RING 40X50X1,5 C70	BAGUE DE RENFORCEM. 40X50X1,5	SEEGER RING 40X50X1,5 C70	ANILLO REFUERZO 40X50X1,5	
48	F04010184	CUSC.D40 D80 BOMB.18 6208 2RS1	BEARING D40 D80 BOMB.18 6208	ROULEMENT D40 D80 BOMB.18 6208	LAGER D40 D80 BOMB.18 6208 2RS	COJINETE D40 D80 BOMB.18 6208	
49	M38100990	GUARNIZIONE ELASTICA	GASKET	JOINT	DICHTUNG	JUNTA	
50	M23400438	MOZZO CUSCINETTO OSCILLANTE	BEARING HUB	MOYEU	NABE	CUBO	
51	M43400707	FLANGIA SPESSORE	INNER FLANGE	FLASQUE INTERIEUR	INNENFLANSCH	BRIDA INTERNA	
52	F01220047	DADO M12X1,25 D980 8 ZN	NUT M12X1,25 D980 8 ZN	ECROU M12X1,25 D980 8 ZN	MUTTER M12X1,25 D980 8 ZN	TUERCA M12X1,25 D980 8 ZN	
53	F01010281	VITE M12X1,25X25 U5740 8.8 ZN	BOLT M 12X1,25X25	VIS M 12X1,25X25	SCHRAUBE M 12X1,25X25	TORNILLO M 12X1,25X25	
54	M43400705	GUARNIZIONE METALLICA H60	METALIC GASKET H60	JOINT	DICHTUNG	JUNTA	
55	M23400436	FLANGIA ESTERNA SUP.CUSC.OSC.	OUTER FLANGE	FLASQUE EXTERIEUR	AUSSENFLANSCH	BRIDA EXTERIOR	
56	F02010034	GHIERA AU.GUK M40X1,5 T.4H ZN	SELF LOCKING NUT	COLLIER AUTOBL.	SELBSTSP. NUTMUTTER	VIOLA AUTOBL.	
57	F04010225	CUSC.D45 D100 B25 1726309-2RS1	BEARING D45 D100 B25 1726309-2	ROULEMENT D45 D100	LAGER D45 D100 B25 1726309-2RS	COJINETE D45 D100	
58	M61100441	ANELLO T. 52X 90X 6 SPEC.	STIFFENER RING	ANNEAU DE RENFORCEMENT	RING	ANILLO REFUERZO	
59	M23400435	MOZZO CUSCINETTO OSCILL.H60	INNER FLANGE	FLASQUE INTERIEUR	INNENFLANSCH	BRIDA INTERIOR	
60	M43400468	COMP.SUPP.CUSC.OSCIL.H60 X RIC	BEARING OSCILLATING H.60 S.PAR	ROULEMENT OSCILLANT H.60 P.DET	LAGER SCHWINGEND H.60 ERSATZT.	COJINETE OSCILANTE H.60 PREP.	

TAV. PK01

Ø 450 - Ø 500

Ø 600



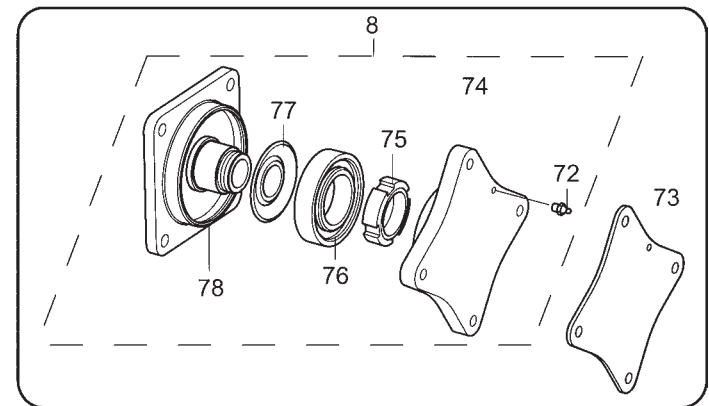
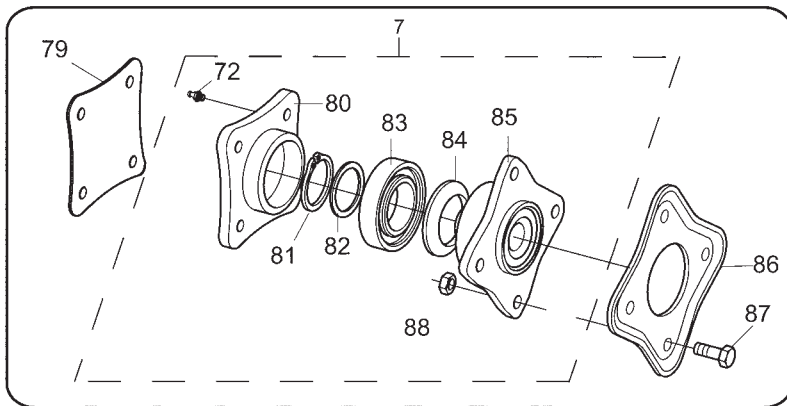
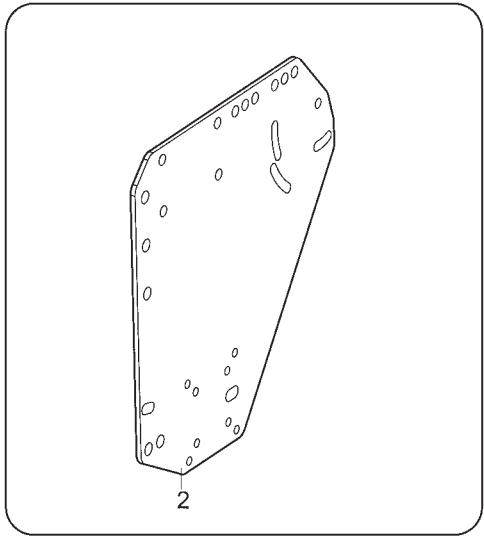
* RINFORZATO / REINFORCED
RENFORCÉ / VERSTÄRKT
REFORZADO

PER: PK600 / GM600 / SP600 / GB550
FOR: PK600 / GM600 / SP600 / GB550

45 - 46 - 47
48 - 49 - 50
51 - 52
92 - 93 - 94
95 - 96 *

54 - 55 - 56
57 - 58 - 59
60 - 61
98 - 99 - 100
101 - 102 - 103 *
104 - 105

63 - 64 - 65
66 - 67 - 68
69 - 70
107 - 108 - 109
110 - 111 - 112 *
113 - 114

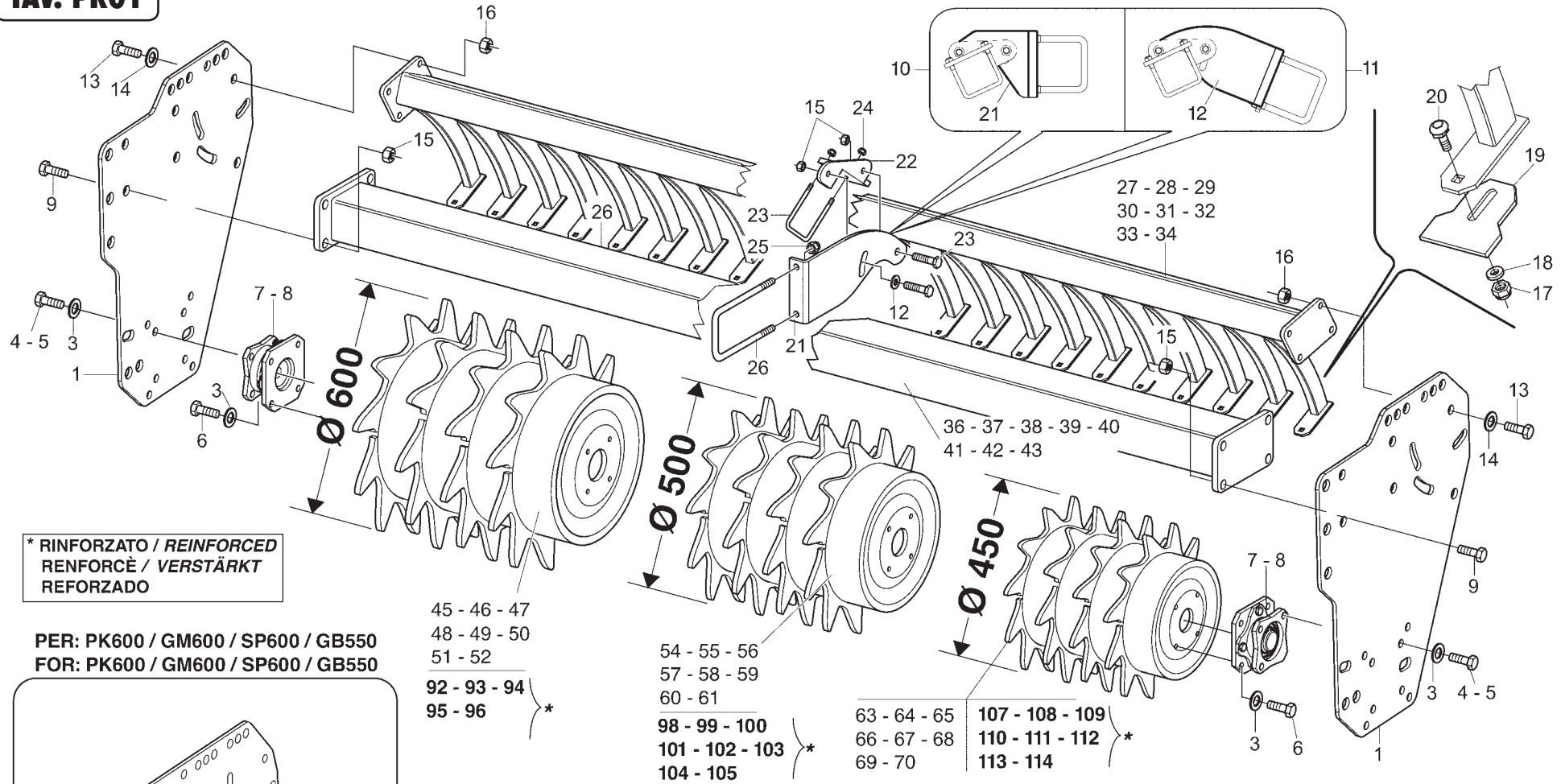


POS	CODICE	DESCRIZIONE	DESCRIPTION	DESCRIPTION	BENENNUNG	DESCRIPCION	TAV. PK01
1	M43400700	FIANCATA RULLO PICCOLA	ROLLER SIDE PANEL SMALL	COTE ROULEAU GAUCHE PETIT	WALZENSEITENWAND KLEIN	FLANCO RODILLO PEQUEÑA	
2	M43400701	FIANCATA RULLO GRANDE	ROLLER SIDE PANEL BIG	COTE ROULEAU GAUCHE GRAND	WALZENSEITENWAND GROSS	FLANCO RODILLO GRANDE	
3	F01480123	ROS.G 12,5X22,9X 4 EX.C70 ZN	WASHER M12 ZGP EXTRA P.	RONDELLE M12 ZGP EXTRA P.	UNTERLEGSSCHEIBE M12 ZGP EXTRA	ARANDELA M12 ZGP EXTRA P.	
4	F01010283	VITE M12X1,25X30 U5740 8.8 ZN	BOLT M 12X1,25X30	VIS M 12X1,25X30	SCHRAUBE M 12X1,25X30	TORNILLO M 12X1,25X30	
5	F01010288	VITE M12X1,25X35 U5740 8.8 ZN	SCREW M12X1,25X35 U5740 8.8 ZN	VIS M 12X1,25X35 U5740 8.8 ZN	SCHR.M12X1,25X35 U5740 8.8 ZN	TORN.M12X1,25X35 U5740 8.8 ZN	
6	F01010291	VITE M12X1,25X40 U5740 8.8 ZN	SCREW M12X1,25X40 U5740 8.8 ZN	VIS M12X1,25X40 U5740 8.8 ZN	SCHR.M12X1,25X40 U5740 8.8 ZN	TORN. M12X1,25X40 U5740 8.8 ZN	
7	M43400467	COMP.SUPP.CUSC.OSCIL.H42 X RIC	COMPLETE BEARING SUPPORT H42	SUPPORT ROULEMENT H.42 RIC.	LAGERHALTERUNG H.42 PGETRIEBE	SOJORTE COJINETE H.42 RIC.	
8	M43400468	COMP.SUPP.CUSC.OSCIL.H60 X RIC	BEARING OSCILLATING H.60 S.PAR	ROULEMENT OSCILLANT H.60 P.DET	LAGER SCHWINGEND H.60 ERSATZT.	COJINETE OSCILANTE H.60 P.REP.	
9	F01010341	VITE M16X1,5 X45 U5740 8.8 ZN	BOLT M16X1,5 X45 U5740 8.8 ZB	VIS M16X1,5 X45 U5740 8.8 ZB	SCHR.M16X1,5 X45 U5740 8.8 ZB	TORN.M16X1,5 X45 U5740 8.8 ZB	
10	M23400775	GRUPPO COLLEGAMENTO RIF.TRAVE	BEAM LINK ASSEMBLY	GROUPE DE CONNEXION	VERBINDUNG SATZ	GRUPO DE CONEXION	
11	M23400776	GRUPPO COLLEGAMENTO RIF.TRAVE	BEAM LINK ASSEMBLY	GROUPE DE CONNEXION	VERBINDUNG SATZ	GRUPO DE CONEXION	
12	M23400494	PIATTO DI REGOLAZIONE	ADJUSTER PLATE	PLAQUETTE DE REGISTRE	REGULIERUNGSPLATTE	PLAQUITA REGISTRO	
13	F01010082	VITE M14X1,5 X50 U5738 8.8 ZN	BOLT M 14X1,5X50	VIS M 14X1,5X50	SCHRAUBE M 14X1,5X50	TORNILLO M 14X1,5X50	
14	F01410088	ROS.M14 15X 28X2,5 U6592 ZN	WAS.M14 15X 28X2,5 U6592 ZB	RON.M14 15X 28X2,5 U6592 ZB	SCH.M14 15X 28X2,5 U6592 ZB	ARA.M14 15X 28X2,5 U6592 ZB	
15	F01220070	DADO M16X 1,5 D980 8 ZN	NUT M16X 1,5 D980 8 ZB	ECRO.M16X 1,5 D980 8 ZB	MUTT.M16X 1,5 D980 8 ZB	TUER.M16X 1,5 D980 8 ZB	
16	F01220059	DADO M14X 1,5 D980 8 ZN	NUT M14X 1,5 D980 8 ZB	ECROU M14X 1,5 D980 8 ZB	MUTTER M14X 1,5 D980 8 ZB	TUERCA M14X 1,5 D980 8 ZB	
17	F01220034	DADO M10X1,25 D980 8 ZN	NUT M10X1,25 D980 8 ZB	ECRO.M10X1,25 D980 8 ZB	MUTT.M10X1,25 D980 8 ZB	TUER.M10X1,25 D980 8 ZB	
18	F01410064	ROS.M10 10,5X 20X 2 U6592 ZN	WASHER M10 10,5X20X2 U6592 ZN	RONDELL.M10 10,5X20X2 U6592 ZN	SCHEIBE M10 10,5X20X2 U6592 ZN	ARAND. M10 10,5X20X2 U6592 ZN	
19	M23400958	PIASTRINA RASCHIATERRA PER PK	SCRETTCHING PLATE FOR PK ROLLER	PLAT DU DECROT.ROUL.PK	ABSTREIFER PLATTE PK	PLACA RASQUETA PK	
20	F01060208	VITE M10X1,5X25 U5731*8.8 ZN	BOLT M10X1,5X25	VIS M10X1,5X25	SCHRAUBE M10X1,5X25	TORNILLO M10X1,5X25	
21	M23400493	PIASTRA DI COLLEG.PICCOLA	BLADE	LAME	MESSER	CUCHILLA	
22	M23400495	PIASTRA PER TRAVE	BLADE	LAME	MESSER	CUCHILLA	
23	F01010319	VITE M14X1,5 X45 U5740 8.8 ZN	BOLT M14X 1,5X 45 U5740 8.8 ZB	VIS M14X1,5 X45 U5740 8.8 ZB	SCH. M14X1,5 X45 U5740 8.8 ZB	TORNILLO M14X1,5 X45 U5740 8.8	
24	F01220033	DADO M10X 1,5 D980 8 ZN	NUT M10X 1,5 D980 8 ZN	ECROU M10X 1,5 D980 8 ZN	MUTTER M10X 1,5 D980 8 ZN	TUERCA M10X 1,5 D980 8 ZN	
25	F01220266	DADO M16X 2 D980 8 ZN	NUT M16X 2 D980 8 ZN	ECROU M16X 2 D980 8 ZN	MUTTER M16X 2 D980 8 ZN	TUERCA M16X 2 D980 8 ZN	
26	F20110800	CAV.Q.M16X 2X 40 118X135 ZN	U BOLT M16X 2X 40 118X135 ZN	ATTEL.M16X 2X 40 118X135 ZB	VERBI.M16X 2X 40 118X135 ZB	PERNO M16X 2X 40 118X135 ZB	
27	M23418980	TRAVE POST.RULLO PK 1500C	SOIL SCRAPER FRAME PK 1500C	CHASSIS ATT.DECROT PK 1500C	ABSTREIFERRAHMEN PK 1500C	TELAR ATAQ.RASQ PK 1500C	
28	M23420980	TRAVE POST.RULLO PK 2000A	SOIL SCRAPER FRAME PK 2000A	CHASSIS ATT.DECROT PK 2000A	ABSTREIFERRAHMEN PK 2000A	TELAR ATAQ.RASQ PK 2000A	
29	M23423980	TRAVE POST.RULLO PK 2000C	SOIL SCRAPER FRAME PK 2000C	CHASSIS ATT.DECROT PK 2000C	ABSTREIFERRAHMEN PK 2000C	TELAR ATAQ.RASQ PK 2000C	
30	M23425980	TRAVE POST.RULLO PK 2500A	SOIL SCRAPER FRAME PK 2500A	CHASSIS ATT.DECROTTOIR PK 2500A	ABSTREIFERRAHMEN PK 2500A	TELAR ATAQ.RASQUETA PK 2500A	
31	M23430980	TRAVE POST.RULLO PK 3000A	SOIL SCRAPER FRAME PK 3000A	CHASSIS ATT.DECROTTOIR PK 3000A	ABSTREIFERRAHMEN PK 3000A	TELAR ATAQ.RASQUETA PK 3000A	
32	M23435980	TRAVE POST.RULLO PK 3500A	SOIL SCRAPER FRAME PK 3500A	CHASSIS ATT.DECROTTOIR PK 3500A	ABSTREIFERRAHMEN PK 3500A	TELAR ATAQ.RASQUETA PK 3500A	
33	M23440980	TRAVE POST.RULLO PK 4000A	SOIL SCRAPER FRAME PK 4000A	CHASSIS ATT.DECROTTOIR PK 4000A	ABSTREIFERRAHMEN PK 4000A	TELAR ATAQ.RASQUETA PK 4000A	
34	M23445980	TRAVE POST.RULLO PK 4500A	SOIL SCRAPER FRAME PK 4500A	CHASSIS ATT.DECROTTOIR PK 4500A	ABSTREIFERRAHMEN PK 4500A	TELAR ATAQ.RASQUETA PK 4500A	
36	M43418457	TRAVE ANTERIORE RULLO 1500C	BEAM 1500C	POUTRE 1500C	HAUPTTTRAEGER 1500C	VIGA 1500C	
37	M43420457	TRAVE ANTERIORE RULLO 2000A	BEAM 2000A	POUTRE 2000A	HAUPTTTRAEGER 2000A	VIGA 2000A	
38	M43423457	TRAVE ANTERIORE RULLO 2000C	BEAM 2000C	POUTRE 2000C	HAUPTTTRAEGER 2000C	VIGA 2000C	
39	M43425457	TRAVE ANTERIORE RULLO 2500A	BEAM 2500A	POUTRE 2500A	HAUPTTTRAEGER 2500A	VIGA 2500A	
40	M43430457	TRAVE ANTERIORE RULLO 3000A	BEAM 3000A	POUTRE 3000A	HAUPTTTRAEGER 3000A	VIGA 3000A	
41	M43435457	TRAVE ANTERIORE RULLO 3500A	BEAM 3500A	POUTRE 3500A	HAUPTTTRAEGER 3500A	VIGA 3500A	
42	M43440457	TRAVE ANTERIORE RULLO 4000A	BEAM 4000A	POUTRE 4000A	HAUPTTTRAEGER 4000A	VIGA 4000A	
43	M43445457	TRAVE ANTERIORE RULLO 4500A	BEAM 4500A	POUTRE 4500A	HAUPTTTRAEGER 4500A	VIGA 4500A	
45	M23418711	ROTORE*RULLO PK.600 1500C	PACKER ROLLER ROTOR 1500C D600	ROTOR D600 1500C HERSE	PACKERWALZEROTOR 1500C D600	ROTOR RODILLO PACK 1500C D600	
46	M23420711	ROTORE*RULLO PK.600 2000A	PACKER ROLLER ROTOR 2000A D600	ROTOR D600 2000A HERSE	PACKERWALZEROTOR 2000A D600	ROTOR RODILLO PACK 2000A D600	
47	M23423711	ROTORE*RULLO PK.600 2000C	PACKER ROLLER ROTOR 2000C D600	ROTOR D600 2000C HERSE	PACKERWALZEROTOR 2000C D600	ROTOR RODILLO PACK 2000C D600	
48	M23425711	ROTORE*RULLO PK.600 2500A	PACKER ROLLER ROTOR 2500A D600	ROTOR D600 2500A HERSE	PACKERWALZEROTOR 2500A D600	ROTOR RODIL PACKER 2500A D600	
49	M23430711	ROTORE*RULLO PK.600 3000A	PACKER ROLLER ROTOR 3000A D600	ROTOR D600 3000A HERSE	PACKERWALZEROTOR 3000A D600	ROTOR RODIL PACKER 3000A D600	
50	M23435711	ROTORE*RULLO PK.600 3500A	PACKER ROLLER ROTOR 3500A D600	ROTOR D600 3500A HERSE	PACKERWALZEROTOR 3500A D600	ROTOR RODIL PACKER 3500A D600	
51	M23440711	ROTORE*RULLO PK.600 4000A	PACKER ROLLER ROTOR 4000A D600	ROTOR D600 4000A HERSE	PACKERWALZEROTOR 4000A D600	ROTOR RODIL PACKER 4000A D600	
52	M23445711	ROTORE*RULLO PK.600 4500A	PACKER ROLLER ROTOR 4500A D600	ROTOR D600 4500A HERSE	PACKERWALZEROTOR 4500A D600	ROTOR RODIL PACKER 4500A D600	
54	M23418712	ROTORE*RULLO PK.500 1500C	PACKER ROLLER ROTOR 1500C D500	ROTOR D500 1500C HERSE	PACKERWALZEROTOR 1500C D500	ROTOR RODILLO PACK 1500C D500	
55	M23420712	ROTORE*RULLO PK.500 2000A	PACKER ROLLER ROTOR 2000A D500	ROTOR D500 2000A HERSE	PACKERWALZEROTOR 2000A D500	ROTOR RODILLO PACK 2000A D500	
56	M23423712	ROTORE*RULLO PK.500 2000C	PACKER ROLLER ROTOR 2000C D500	ROTOR D500 2000C HERSE	PACKERWALZEROTOR 2000C D500	ROTOR RODILLO PACK 2000C D500	
57	M23425712	ROTORE*RULLO PK.500 2500A	PACKER ROLLER ROTOR 2500 D500	ROTOR D500 2500 HERSE	PACKERWALZEROTOR 2500 D500	ROTOR RODILLO PACKER 2500 D500	
58	M23430712	ROTORE*RULLO PK.500 3000A	PACKER ROLLER ROTOR 3000 D500	ROTOR D500 3000 HERSE	PACKERWALZEROTOR 3000 D500	ROTOR RODILLO PACKER 3000 D500	
59	M23435712	ROTORE*RULLO PK.500 3500A	PACKER ROLLER ROTOR 3500 D500	ROTOR D500 3500 HERSE	PACKERWALZEROTOR 3500 D500	ROTOR RODILLO PACKER 3500 D500	
60	M23440712	ROTORE*RULLO PK.500 4000A	PACKER ROLLER ROTOR 4000 D500	ROTOR D500 4000 HERSE	PACKERWALZEROTOR 4000 D500	ROTOR RODILLO PACKER 4000 D500	
61	M23445712	ROTORE*RULLO PK.500 4500A	PACKER ROLLER ROTOR 4500 D500	ROTOR D500 4500 HERSE	PACKERWALZEROTOR 4500 D500	ROTOR RODILLO PACKER 4500 D500	
63	M23418713	ROTORE*RULLO PK.450 1500C	PACKER ROLLER ROTOR 1500C D450	ROTOR D450 1500C HERSE	PACKERWALZEROTOR 1500C D450	ROTOR RODILLO PACK 1500C D450	
64	M23420713	ROTORE*RULLO PK.450 2000A	PACKER ROLLER ROTOR 2000A D450	ROTOR D450 2000A HERSE	PACKERWALZEROTOR 2000A D450	ROTOR RODILLO PACK 2000A D450	
65	M23423713	ROTORE*RULLO PK.450 2000C	PACKER ROLLER ROTOR 2000C D450	ROTOR D450 2000C HERSE	PACKERWALZEROTOR 2000C D450	ROTOR RODILLO PACK 2000C D450	
66	M23425713	ROTORE*RULLO PK.450 2500A	PACKER ROLLER ROTOR 2500A D450	ROTOR D450 2500A HERSE	PACKERWALZEROTOR 2500A D450	ROTOR RODILLO PACK 2500A D450	
67	M23430713	ROTORE*RULLO PK.450 3000A	PACKER ROLLER ROTOR 3000A D450	ROTOR D450 3000A HERSE	PACKERWALZEROTOR 3000A D450	ROTOR RODIL PACK 3000A D450	

TAV. PK01

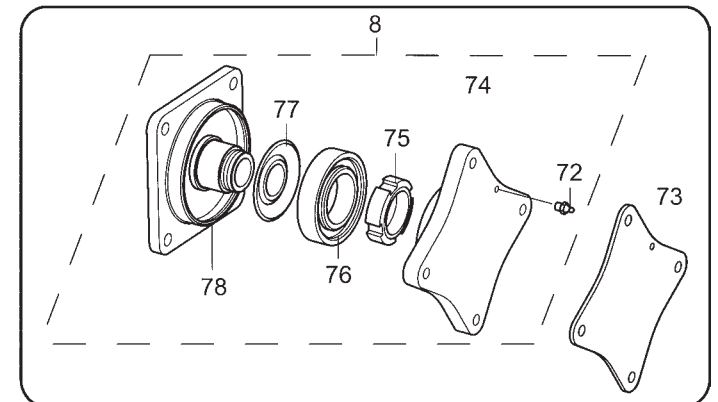
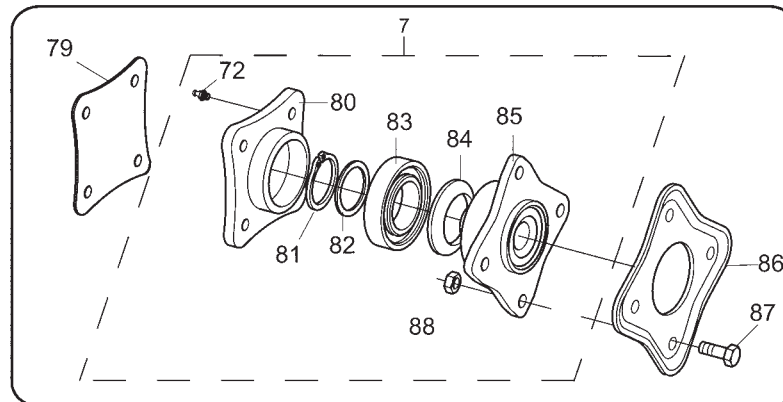
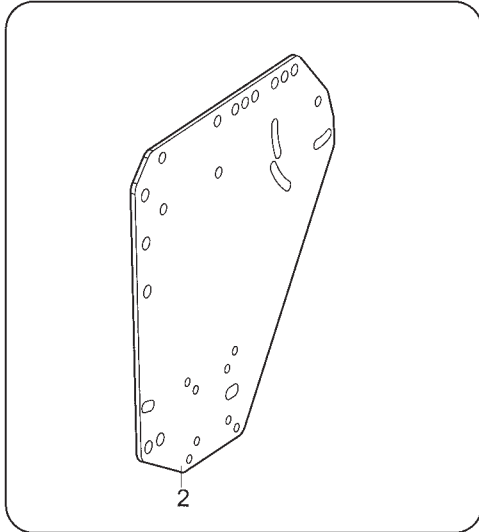
Ø 450 - Ø 500

Ø 600



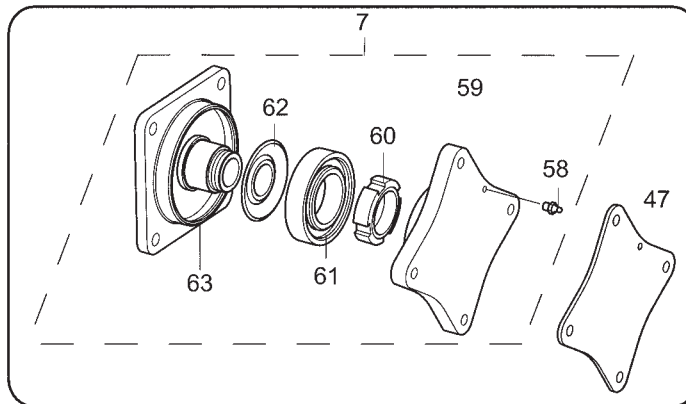
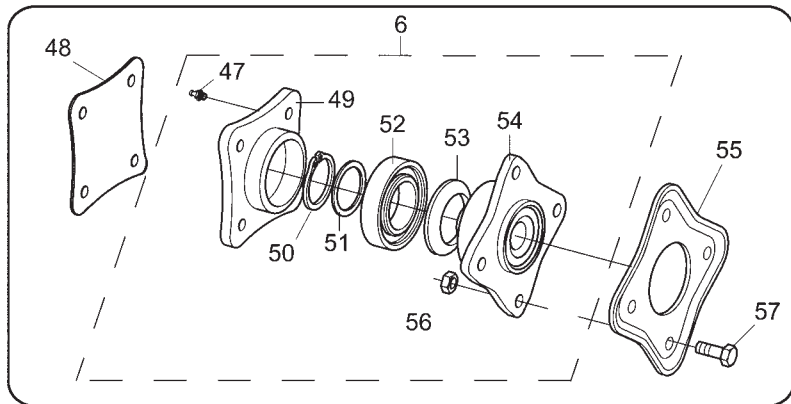
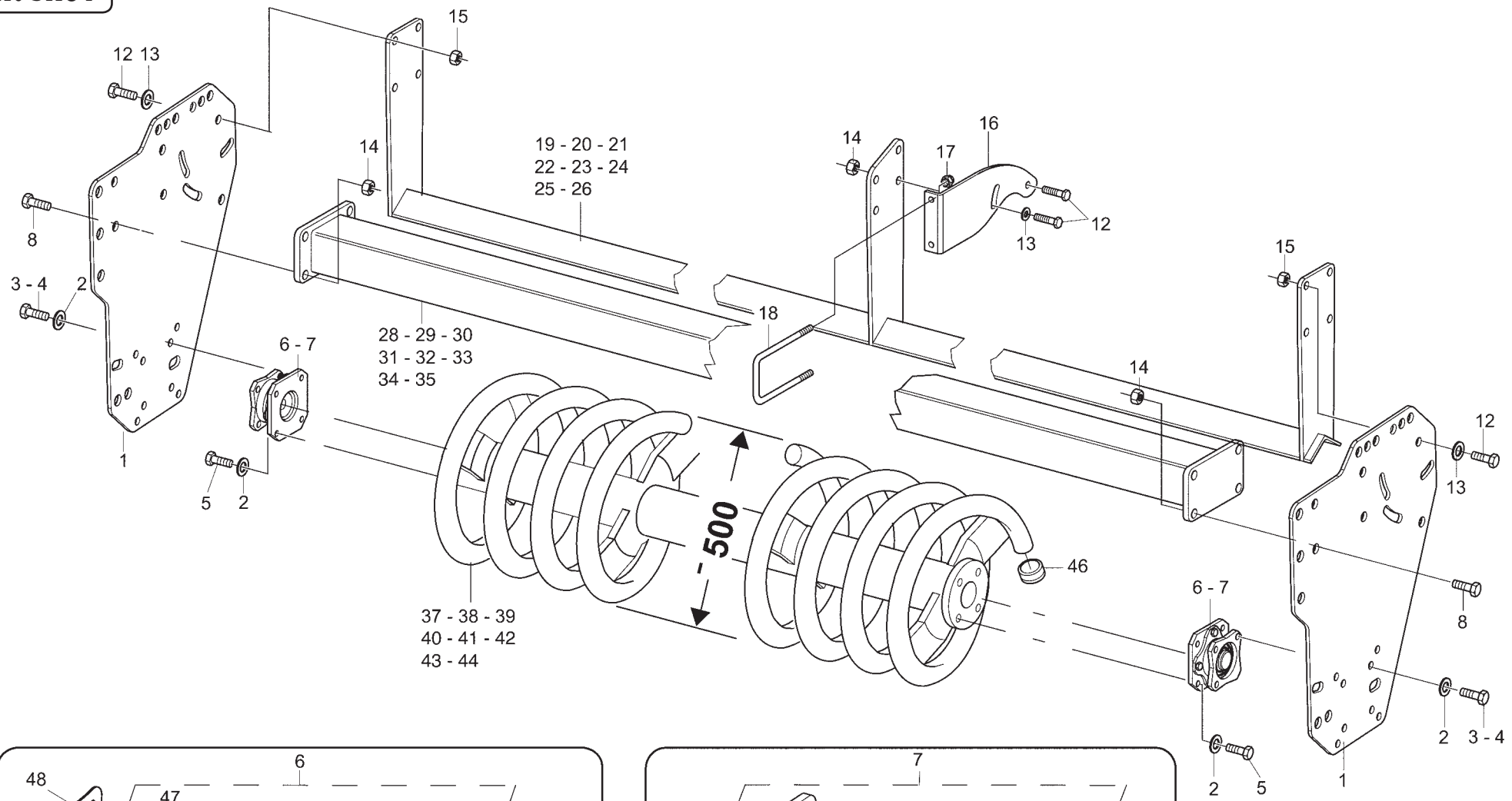
* RINFORZATO / REINFORCED
RENFORCÉ / VERSTÄRKT
REFORZADO

PER: PK600 / GM600 / SP600 / GB550
FOR: PK600 / GM600 / SP600 / GB550



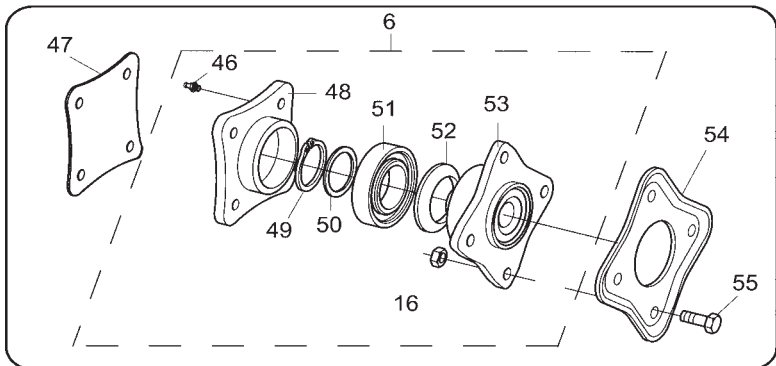
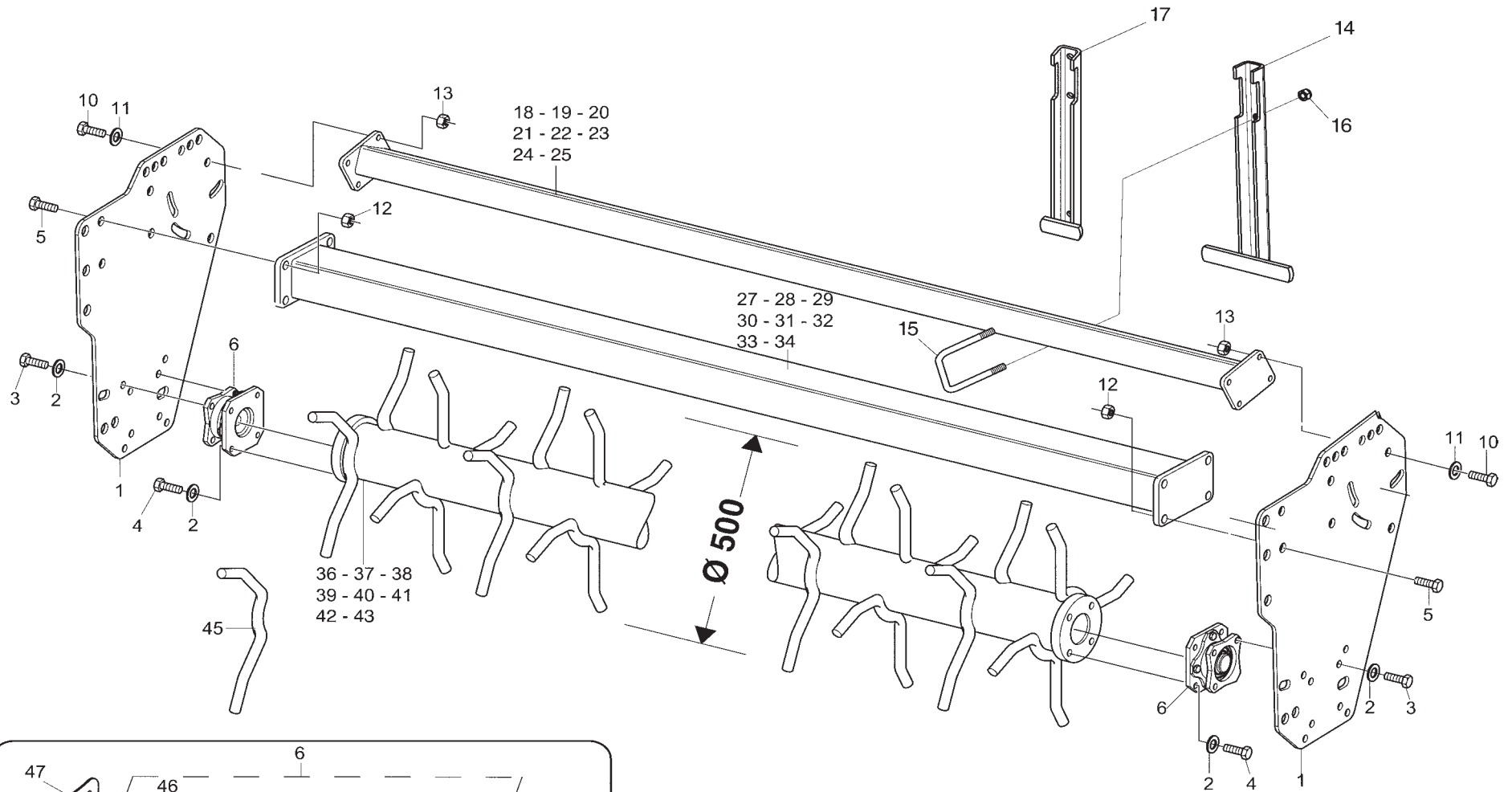
POS	CODICE	DESCRIZIONE	DESCRIPTION	DESCRIPTION	BENENNUNG	DESCRIPCION	TAV. PK01
68	M23435713	ROTORE*RULLO PK.450 3500A	PACKER ROLLER ROTOR 3500A 4500	ROTOR D450 3500A HERSE	PACKERWALZEROTOR 3500A D450	ROTOR RODILLO PACK 3500A D450	
69	M23440713	ROTORE*RULLO PK.450 4000A	PACKER ROLLER ROTOR 4000A D450	ROTOR D450 4000A HERSE	PACKERWALZEROTOR 4000A D450	ROTOR RODILLO PACK 4000A D450	
70	M23445713	ROTORE*RULLO PK.450 4500A	PACKER ROLLER ROTOR 4500A D450	ROTOR D450 4500A HERSE	PACKERWALZEROTOR 4500A D450	ROTOR RODILLO PACK 4500A D450	
72	F01100011	ING.M 6X1 7663-A 9SMNPB28 ZN	GREASE NIPPLE M6X1 7663-A ZN	GRAISS. A BILLE M6X1 7663A ZN	SCHMIERBUECHE M6X1 7663-A ZN	ENGRAS. DE ESFERAS M6X1 7663-A	
73	M43400705	GUARNIZIONE METALLICA H60	METALIC GASKET H60	JOINT	DICHTUNG	JUNTA	
74	M23400436	FLANGIA ESTERNA SUP.CUSC.OSC.	OUTER FLANGE	FLASQUE EXTERIEUR	AUSSENFLANSCH	BRIDA EXTERIOR	
75	F02010034	GHIERA AU.GUK M40X1,5 T.4H ZN	SELF LOCKING NUT	COLLIER AUTOBL.	SELBSTSP. NUTMUTTER	VIROLA AUTOBL.	
76	F04010225	CUSC.D45 D100 B25 1726309-2RS1	BEARING D45 D100 B25 1726309-2	ROULEMENT D45 D100	LAGER D45 D100 B25 1726309-2RS	COJINETE D45 D100	
77	M61100441	ANELLO T. 52X 90X 6 SPEC.	STIFFENER RING	ANNEAU DE RENFORCEMENT	RING	ANILLO REFUERZO	
78	M23400435	MOZZO CUSCINETTO OSCILL.H60	INNER FLANGE	FLASQUE INTERIEUR	INNENFLANSCH	BRIDA INTERIOR	
79	M43400704	GUARNIZIONE METALLICA H42	GASKET H42	JOINT H42	DICHTUNG H42	JUNTA	
80	M23400439	FLANGIA SUPP. RULLO OSC. H. 42	SUPPORT FLANGE H.42	SUPPORT H.42	HALTER H.42	SOPORTE H.42	
81	F02050168	ANELLO E. DE 40X1,75 U7435 C70	SEEGER RING 40X1,75 U7435 C70	BAGUE SEEGER 40X1,75 U7435 C70	SEEGERRING 40X1,75 U7435 C70	ANIL SEEGER 40X1,75 U7435 C70	
82	M48000307	ANELLO RINF.40X50X1,5 C70 TEMP	STIFFENER RING 40X50X1,5 C70	BAGUE DE RENFORCEM. 40X50X1,5	SEEGER RING 40X50X1,5 C70	ANILLO REFUERZO 40X50X1,5	
83	F04010184	CUSC.D40 D80 BOMB.18 6208 2RS1	BEARING D40 D80 BOMB.18 6208	ROULEMENT D40 D80 BOMB.18 6208	LAGER D40 D80 BOMB.18 6208 2RS	COJINETE D40 D80 BOMB.18 6208	
84	M38100990	GUARNIZIONE ELASTICA	GASKET	JOINT	DICHTUNG	JUNTA	
85	M23400438	MOZZO CUSCINETTO OSCILLANTE	BEARING HUB	MOYEU	NABE	CUBO	
86	M43400707	FLANGIA SPESSORE	INNER FLANGE	FLASQUE INTERIEUR	INNENFLANSCH	BRIDA INTERNA	
87	F01010281	VITE M12X1,25X25 U5740 8.8 ZN	BOLT M 12X1,25X25	VIS M 12X1,25X25	SCHRAUBE M 12X1,25X25	TORNILLO M 12X1,25X25	
88	F01220047	DADO M12X1,25 D980 8 ZN	NUT M12X1,25 D980 8 ZN	ECROU M12X1,25 D980 8 ZN	MUTTER M12X1,25 D980 8 ZN	TUERCA M12X1,25 D980 8 ZN	
92	M43425482	ROTORE*RULLO PK.600 2500A	PACKER ROLLER ROTOR D600 2500A	ROTOR PK D600 2500A	PACKERWALZEROTOR D600 2500A	ROTOR RODILLO PACK 1500C D600	
93	M43430482	ROTORE*RULLO PK.600 3000A	PACKER ROLLER ROTOR D600 3000A	ROTOR PK D600 3000A	PACKERWALZEROTOR D600 3000A	ROTOR RODILLO PACK 3000A D600	
94	M43435482	ROTORE*RULLO PK.600 3500A	PACKER ROLLER ROTOR D600 3500A	ROTOR PK D600 3500A	PACKERWALZEROTOR D600 3500A	ROTOR RODILLO PACK 3500A D600	
95	M43440482	ROTORE*RULLO PK.600 4000A	PACKER ROLLER ROTOR D600 4000A	ROTOR PK D600 4000A	PACKERWALZEROTOR D600 4000A	ROTOR RODILLO PACK 4000A D600	
96	M43445482	ROTORE*RULLO PK.600 4500A	PACKER ROLLER ROTOR D600 4500A	ROTOR PK D600 4500A	PACKERWALZEROTOR D600 4500A	ROTOR RODILLO PACK 4500A D600	
98	M43418483	ROTORE*RULLO PK.500 1500C	PACKER ROLLER ROTOR 1500C D500	ROTOR D500 1500C HERSE	PACKERWALZEROTOR 1500C D500	ROTOR RODILLO PACK 1500C D500	
99	M43420483	ROTORE*RULLO PK.500 2000A	PACKER ROLLER ROTOR 2000A D500	ROTOR D500 2000A HERSE	PACKERWALZEROTOR 2000A D500	ROTOR RODILLO PACK 2000A D500	
100	M43423483	ROTORE*RULLO PK.500 2000C	PACKER ROLLER ROTOR 2000C D500	ROTOR D500 2000C HERSE	PACKERWALZEROTOR 2000C D500	ROTOR RODILLO PACK 2000C D500	
101	M43425483	ROTORE*RULLO PK.500 2500A	PACKER ROLLER ROTOR 2500 D500	ROTOR D500 2500 HERSE	PACKERWALZEROTOR 2500 D500	ROTOR RODILLO PACKER 2500 D500	
102	M43430483	ROTORE*RULLO PK.500 3000A	PACKER ROLLER ROTOR 3000 D500	ROTOR D500 3000 HERSE	PACKERWALZEROTOR 3000 D500	ROTOR RODILLO PACKER 3000 D500	
103	M43435483	ROTORE*RULLO PK.500 3500A	PACKER ROLLER ROTOR 3500 D500	ROTOR D500 3500 HERSE	PACKERWALZEROTOR 3500 D500	ROTOR RODILLO PACKER 3500 D500	
104	M43440483	ROTORE*RULLO PK.500 4000A	PACKER ROLLER ROTOR 4000 D500	ROTOR D500 4000 HERSE	PACKERWALZEROTOR 4000 D500	ROTOR RODILLO PACKER 4000 D500	
105	M43445483	ROTORE*RULLO PK.500 4500A	PACKER ROLLER ROTOR 4500 D500	ROTOR D500 4500 HERSE	PACKERWALZEROTOR 4500 D500	ROTOR RODILLO PACKER 4500 D500	
107	M43418484	ROTORE*RULLO PK.450 1500C	PACKER ROLLER ROTOR 1500C D450	ROTOR D450 1500C HERSE	PACKERWALZEROTOR 1500C D450	ROTOR RODILLO PACK 1500C D450	
108	M43420484	ROTORE*RULLO PK.450 2000A	PACKER ROLLER ROTOR 2000A D450	ROTOR D450 2000A HERSE	PACKERWALZEROTOR 2000A D450	ROTOR RODILLO PACK 2000A D450	
109	M43423484	ROTORE*RULLO PK.450 2000C	PACKER ROLLER ROTOR 2000C D450	ROTOR D450 2000C HERSE	PACKERWALZEROTOR 2000C D450	ROTOR RODILLO PACK 2000C D450	
110	M43425484	ROTORE*RULLO PK.450 2500A	PACKER ROLLER ROTOR 2500A D450	ROTOR D450 2500A HERSE	PACKERWALZEROTOR 2500A D450	ROTOR RODILLO PACK 2500A D450	
111	M43430484	ROTORE*RULLO PK.450 3000A	PACKER ROLLER ROTOR 3000A D450	ROTOR D450 3000A HERSE	PACKERWALZEROTOR 3000A D450	ROTOR RODIL PACK 3000A D450	
112	M43435484	ROTORE*RULLO PK.450 3500A	PACKER ROLLER ROTOR 3500A D450	ROTOR D450 3500A HERSE	PACKERWALZEROTOR 3500A D450	ROTOR RODIL PACK 3500A D450	
113	M43440484	ROTORE*RULLO PK.450 4000A	PACKER ROLLER ROTOR 4000A D450	ROTOR D450 4000A HERSE	PACKERWALZEROTOR 4000A D450	ROTOR RODIL PACK 4000A D450	
114	M43445484	ROTORE*RULLO PK.450 4500A	PACKER ROLLER ROTOR 4500A D450	ROTOR D450 4500A HERSE	PACKERWALZEROTOR 4500A D450	ROTOR RODIL PACK 4500A D450	

TAV. SK01



POS	CODICE	DESCRIZIONE	DESCRIPTION	DESCRIPTION	BENENNUNG	DESCRIPCION	TAV. SK01
1	M43400700	FIANCATA RULLO PICCOLA	ROLLER SIDE PANEL SMALL	COTE ROULEAU GAUCHE PETIT	WALZENSEITENWAND KLEIN	FLANCO RODILLO PEQUEÑA	
2	F01480123	ROS.G 12,5X22,9X 4 EX.C70 ZN	WASHER M12 ZGP EXTRA P.	RONDELLE M12 ZGP EXTRA P.	UNTERLEGSCHEIBE M12 ZGP EXTRA	ARANDELA M12 ZGP EXTRA P.	
3	F01010283	VITE M12X1,25X30 U5740 8.8 ZN	BOLT M 12X1,25X30	VIS M 12X1,25X30	SCHRAUBE M 12X1,25X30	TORNILLO M 12X1,25X30	
4	F01010288	VITE M12X1,25X35 U5740 8.8 ZN	SCREW M12X1,25X35 U5740 8.8 ZN	VIS M12X1,25X35 U5740 8.8 ZN	SCHR.M12X1,25X35 U5740 8.8 ZN	TORN.M12X1,25X35 U5740 8.8 ZN	
5	F01010291	VITE M12X1,25X40 U5740 8.8 ZN	SCREW M12X1,25X40 U5740 8.8 ZN	VIS M12X1,25X40 U5740 8.8 ZN	SCHR.M12X1,25X40 U5740 8.8 ZN	TORN. M12X1,25X40 U5740 8.8 ZN	
6	M43400467	COMP.SUPP.CUSC.OSCIL.H42 X RIC	COMPLETE BEARING SUPPORT H42	SUPPORT ROULEMENT H.42 RIC.	LAGERHALTERUNG H.42 P.GETRIEBE	SOPORTE COJINETE H.42 RIC.	
7	M43400468	COMP.SUPP.CUSC.OSCIL.H60 X RIC	BEARING OSCILLATING H.60 S.PAR	ROULEMENT OSCILLANT H.60 P.DET	LAGER SCHWINGEND H.60 ERSATZT.	COJINETE OSCILANTE H.60 P.PREP.	
8	F01010341	VITE M16X1,5 X45 U5740 8.8 ZN	BOLT M16X1,5 X45 U5740 8.8 ZN	VIS M16X1,5 X45 U5740 8.8 ZB	SCHR.M16X1,5 X45 U5740 8.8 ZB	TORN.M16X1,5 X45 U5740 8.8 ZB	
12	F01010319	VITE M14X1,5 X45 U5740 8.8 ZN	BOLT M14X 1,5X 45 U5740 8.8 ZB	VIS M14X1,5 X45 U5740 8.8 ZB	SCH. M14X1,5 X45 U5740 8.8 ZB	TORNILLO M14X1,5 X45 U5740 8.8	
13	F01410088	ROS.M14 15X 28X2,5 U6592 ZN	WAS.M14 15X 28X2,5 U6592 ZB	RON.M14 15X 28X2,5 U6592 ZB	SCH.M14 15X 28X2,5 U6592 ZB	ARA.M14 15X 28X2,5 U6592 ZB	
14	F01220070	DADO M16X 1,5 D980 8 ZN	NUT M16X 1,5 D980 8 ZB	ECROU.M16X 1,5 D980 8 ZB	MUTT.M16X 1,5 D980 8 ZB	TUER.M16X 1,5 D980 8 ZB	
15	F01220059	DADO M14X 1,5 D980 8 ZN	NUT M14X 1,5 D980 8 ZB	ECROU M14X 1,5 D980 8 ZB	MUTTER M14X 1,5 D980 8 ZB	TUERCA M14X 1,5 D980 8 ZB	
16	M23400493	PIASTRA DI COLLEG.PICCOLA	BLADE	LAME	MESSER	CUCHILLA	
17	F01220266	DADO M16X 2 D980 8 ZN	NUT M16X 2 D980 8 ZN	ECROU M16X 2 D980 8 ZN	MUTTER M16X 2 D980 8 ZN	TUERCA M16X 2 D980 8 ZN	
18	F20110800	CAV.Q.M16X 2X 40 118X135 ZN	U BOLT M16X 2X 40 118X135 ZN	ATTEL.M16X 2X 40 118X135 ZB	VERBI.M16X 2X 40 118X135 ZB	PERNO M16X 2X 40 118X135 ZB	
19	M43418449	TRAVE RASCHIARULLO 1800	SOIL SCRAPER FRAME 1800	CHASSIS ATT. DECROTTOIR 1800	ABSTREIFERRAHMEN 1800	TELAR ATAQUE RASQUETA 1800	
20	M43420449	TRAVE RASCHIARULLO 2000A	SOIL SCRAPER FRAME 2000	CHASSIS ATT. DECROTTOIR 2000	ABSTREIFERRAHMEN 2000	TELAR ATAQUE RASQUETA 2000	
21	M43423449	TRAVE RASCHIARULLO 2000C	SOIL SCRAPER FRAME 2300	CHASSIS ATT. DECROTTOIR 2300	ABSTREIFERRAHMEN 2300	TELAR ATAQUE RASQUETA 2300	
22	M43425449	TRAVE RASCHIARULLO 2500A	SOIL SCRAPER FRAME 2500	CHASSIS ATT. DECROTTOIR 2500	ABSTREIFERRAHMEN 2500	TELAR ATAQUE RASQUETA 2500	
23	M43430449	TRAVE RASCHIARULLO 3000A	SOIL SCRAPER FRAME 3000	CHASSIS ATT. DECROTTOIR 3000	ABSTREIFERRAHMEN 3000	TELAR ATAQUE RASQUETA 3000	
24	M43435449	TRAVE RASCHIARULLO 3500A	SOIL SCRAPER FRAME 3500	CHASSIS ATT. DECROTTOIR 3500	ABSTREIFERRAHMEN 3500	TELAR ATAQUE RASQUETA 3500	
25	M43440449	TRAVE RASCHIARULLO 4000A	SOIL SCRAPER FRAME 4000	CHASSIS ATT. DECROTTOIR 4000	ABSTREIFERRAHMEN 4000	TELAR ATAQUE RASQUETA 4000	
26	M43445449	TRAVE RASCHIARULLO 4500A	SOIL SCRAPER FRAME 4500	CHASSIS ATT. DECROTTOIR 4500	ABSTREIFERRAHMEN 4500	TELAR ATAQUE RASQUETA 4500	
28	M43418457	TRAVE ANTERIORE RULLO 1500C	BEAM 1500C	POUTRE 1500C	HAUPTTTRAEGER 1500C	VIGA 1500C	
29	M43420457	TRAVE ANTERIORE RULLO 2000A	BEAM 2000A	POUTRE 2000A	HAUPTTTRAEGER 2000A	VIGA 2000A	
30	M43423457	TRAVE ANTERIORE RULLO 2000C	BEAM 2000C	POUTRE 2000C	HAUPTTTRAEGER 2000C	VIGA 2000C	
31	M43425457	TRAVE ANTERIORE RULLO 2500A	BEAM 2500A	POUTRE 2500A	HAUPTTTRAEGER 2500A	VIGA 2500A	
32	M43430457	TRAVE ANTERIORE RULLO 3000A	BEAM 3000A	POUTRE 3000A	HAUPTTTRAEGER 3000A	VIGA 3000A	
33	M43435457	TRAVE ANTERIORE RULLO 3500A	BEAM 3500A	POUTRE 3500A	HAUPTTTRAEGER 3500A	VIGA 3500A	
34	M43440457	TRAVE ANTERIORE RULLO 4000A	BEAM 4000A	POUTRE 4000A	HAUPTTTRAEGER 4000A	VIGA 4000A	
35	M43445457	TRAVE ANTERIORE RULLO 4500A	BEAM 4500A	POUTRE 4500A	HAUPTTTRAEGER 4500A	VIGA 4500A	
37	M43418445	ROTORE RULLO SK.500 1800	SPIROLLER ROTOR D.500 1800	ROTOR SPIROPACKER D.500 1800	SPIROPACKERWALZE D.500 1800	ROTOR SPIROPACKER D.500 1800	
38	M43420445	ROTORE RULLO SK.500 2000A	SPIROLLER ROTOR D.500 2000A	ROTOR SPIROPACKER D.500 2000A	SPIROPACKERWALZE D.500 2000A	ROTOR SPIROPACKER D.500 2000A	
39	M43423445	ROTORE RULLO SK.500 2300	SPIROLLER ROTOR D.500 2300	ROTOR SPIROPACKER D.500 2300	SPIROPACKERWALZE D.500 2300	ROTOR SPIROPACKER D.500 2300	
40	M43425445	ROTORE RULLO SK.500 2500A	SK ROLLER ROTOR 500 2500A	ROTOR ROULEAU SK 2500A	SK WALZEROTOR 500 2500A	ROTOR RODILLO SK 500 2500A	
41	M43430445	ROTORE RULLO SK.500 3000	SK ROLLER ROTOR 500 3000	ROTOR ROULEAU SK 500 3000	SK WALZEROTOR 500 3000	ROTOR RODILLO SK 500 3000	
42	M43435445	ROTORE RULLO SK.500 3500	SK ROLLER ROTOR 500 3500	ROTOR ROULEAU SK 500 3500	SK WALZEROTOR 500 3500	ROTOR RODILLO SK 500 3500	
43	M43440445	ROTORE RULLO SK.500 4000	SK ROLLER ROTOR 500 4000	ROTOR ROULEAU SK 500 4000	SK WALZEROTOR 500 4000	ROTOR RODILLO SK 500 4000	
44	M43445445	ROTORE RULLO SK.500 4500	SK ROLLER ROTOR 500 4500	ROTOR ROULEAU SK 500 4500	SK WALZEROTOR 500 4500	ROTOR RODILLO SK 500 4500	
46	F05100022	TAPPO NERO D.45 (PER R. SPPK)	PLUG D.45	BOUCHON FERMETURE D.45	VERSCHLUSSSPRPFEN D.45	TAPON CLAUDSURA D.45	
47	F01100011	ING.M 6X1 7663-A 9SMNPB28 ZN	GREASE NIPPLE M6X1 7663-A ZN	GRAISS. A BILLE M6X1 7663A ZN	SCHMIERBUECHE M6X1 7663-A ZN	ENGRAS. DE ESFERAS M6X1 7663-A	
48	M43400704	GUARNIZIONE METALLICA H42	GASKET H42	JOINT H42	DICHTUNG H42	JUNTA	
49	M23400439	FLANGIA SUPP. RULLO OSC. H. 42	SUPPORT FLANGE H.42	SUPPORT H.42	HALTER H.42	SOPORTE H.42	
50	F02050168	ANELLO E. DE 40X1,75 U7435 C70	SEEGER RING 40X1,75 U7435 C70	BAGUE SEEGER 40X1,75 U7435 C70	SEEGERRING 40X1,75 U7435 C70	ANIL.SEEGER 40X1,75 U7435 C70	
51	M48000307	ANELLO RINF.40X50X1,5 C70 TEMP	STIFFENER RING 40X50X1,5 C70	BAGUE DE RENFORCEM. 40X50X1,5	SEEGER RING 40X50X1,5 C70	ANILLO REFUERZO 40X50X1,5	
52	F04010184	CUSC.D40 D80 BOMB.18 6208 2RS1	BEARING D40 D80 BOMB.18 6208	ROULEMENT D40 D80 BOMB.18 6208	LAGER D40 D80 BOMB.18 6208 2RS	COJINETE D40 D80 BOMB.18 6208	
53	M38100990	GUARNIZIONE ELASTICA	GASKET	JOINT	DICHTUNG	JUNTA	
54	M23400438	MOZZO CUSCINETTO OSCILLANTE	BEARING HUB	MOYEU	NABE	CUBO	
55	M43400707	FLANGIA SPESSORE	INNER FLANGE	FLASQUE INTERIEUR	INNENFLANSCH	BRIDA INTERNA	
56	F01220047	DADO M12X1,25 D980 8 ZN	NUT M12X1,25 D980 8 ZN	ECROU M12X1,25 D980 8 ZN	MUTTER M12X1,25 D980 8 ZN	TUERCA M12X1,25 D980 8 ZN	
57	F01010281	VITE M12X1,25X25 U5740 8.8 ZN	BOLT M 12X1,25X25	VIS M 12X1,25X25	SCHRAUBE M 12X1,25X25	TORNILLO M 12X1,25X25	
58	M43400705	GUARNIZIONE METALLICA H60	METALIC GASKET H60	JOINT	DICHTUNG	JUNTA	
59	M23400436	FLANGIA ESTERNA SUP.CUSC.OSC.	OUTER FLANGE	FLASQUE EXTERIEUR	AUSSENFLANSCH	BRIDA EXTERIOR	
60	F02010034	GHIERA AU.GUK M40X1,5 T.4H ZN	SELF LOCKING NUT	COLLIER AUTOBL.	SELBSTSP. NUTMUTTER	VIROLA AUTOBL.	
61	F04010225	CUSC.D45 D100 B25 1726309-2RS1	BEARING D45 D100 B25 1726309-2	ROULEMENT D45 D100	LAGER D45 D100 B25 1726309-2RS	COJINETE D45 D100	
62	M61100441	ANELLO T. 52X 90X 6 SPEC.	STIFFENER RING	ANNEAU DE RENFORCEMENT	RING	ANILLO REFUERZO	
63	M23400435	MOZZO CUSCINETTO OSCILL.H60	INNER FLANGE	FLASQUE INTERIEUR	INNENFLANSCH	BRIDA INTERIOR	
64	M43418745	ROTORE RULLO SK.500 1800	SPIROLLER ROTOR D.500 1800	ROTOR SPIROPACKER D.500 1800	SPIROPACKERWALZE D.500 1800	ROTOR SPIROPACKER D.500 1800	
65	M43420745	ROTORE RULLO SK.500 2000A	SPIROLLER ROTOR D.500 2000A	ROTOR SPIROPACKER D.500 2000A	SPIROPACKERWALZE D.500 2000A	ROTOR SPIROPACKER D.500 2000A	
66	M43423745	ROTORE RULLO SK.500 2300	SPIROLLER ROTOR D.500 2300	ROTOR SPIROPACKER D.500 2300	SPIROPACKERWALZE D.500 2300	ROTOR SPIROPACKER D.500 2300	
67	M43425745	ROTORE RULLO SK.500 2500A	SK ROLLER ROTOR 500 2500A	ROTOR ROULEAU SK 2500A	SK WALZEROTOR 500 2500A	ROTOR RODILLO SK 500 2500A	
68	M43430745	ROTORE RULLO SK.500 3000	SK ROLLER ROTOR 500 3000	ROTOR ROULEAU SK 500 3000	SK WALZEROTOR 500 3000	ROTOR RODILLO SK 500 3000	
69	M43435745	ROTORE RULLO SK.500 3500	SK ROLLER ROTOR 500 3500	ROTOR ROULEAU SK 500 3500	SK WALZEROTOR 500 3500	ROTOR RODILLO SK 500 3500	
70	M43440745	ROTORE RULLO SK.500 4000	SK ROLLER ROTOR 500 4000	ROTOR ROULEAU SK 500 4000	SK WALZEROTOR 500 4000	ROTOR RODILLO SK 500 4000	
71	M43445745	ROTORE RULLO SK.500 4500	SK ROLLER ROTOR 500 4500	ROTOR ROULEAU SK 500 4500	SK WALZEROTOR 500 4500	ROTOR RODILLO SK 500 4500	

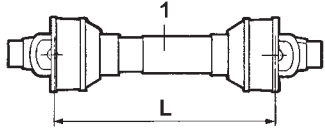
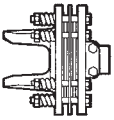

TAV. SP01

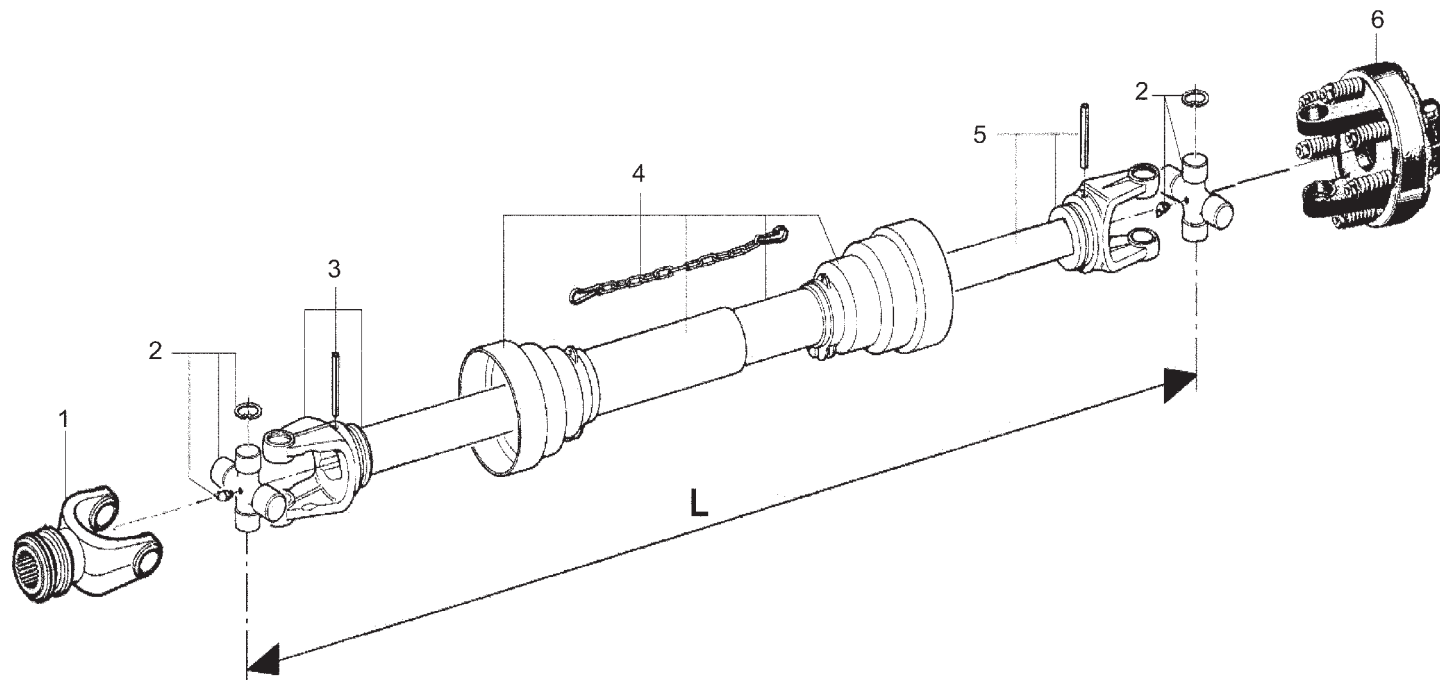


POS	CODICE	DESCRIZIONE	DESCRIPTION	DESCRIPTION	BENENNUNG	DESCRIPCION	TAV. SP01
1	M43400700	FIANCATA RULLO PICCOLA	ROLLER SIDE PANEL SMALL	COTE ROULEAU GAUCHE PETIT	WALZENSEITENWAND KLEIN	FLANCO RODILLO PEQUEÑA	
2	F01480123	ROS.G 12,5X22,9X 4 EX.C70 ZN	WASHER M12 ZGP EXTRA P.	RONDELLE M12 ZGP EXTRA P.	UNTERLEGSCHEIBE M12 ZGP EXTRA	ARANDELA M12 ZGP EXTRA P.	
3	F01010288	VITE M12X1,25X35 U5740 8.8 ZN	SCREW M12X1,25X35 U5740 8.8 ZN	VIS M12X1,25X35 U5740 8.8 ZN	SCHR.M12X1,25X35 U5740 8.8 ZN	TORN.M12X1,25X35 U5740 8.8 ZN	
4	F01010291	VITE M12X1,25X40 U5740 8.8 ZN	SCREW M12X1,25X40 U5740 8.8 ZN	VIS M12X1,25X40 U5740 8.8 ZN	SCHR.M12X1,25X40 U5740 8.8 ZN	TORN. M12X1,25X40 U5740 8.8 ZN	
5	F01010341	VITE M16X1,5 X45 U5740 8.8 ZN	BOLT M16X1,5 X45 U5740 8.8 ZB	VIS M16X1,5 X45 U5740 8.8 ZB	SCHR.M16X1,5 X45 U5740 8.8 ZB	TORN.M16X1,5 X45 U5740 8.8 ZB	
6	M43400467	COMP.SUPP.CUSC.OSCIL.H42 X RIC	COMPLETE BEARING SUPPORT H42	SUPPORT ROULEMENT H.42 RIC.	SUPPORT ROULEMENT H.42 P.GETRIEBE	SOPORTE COJINETE H.42 RIC.	
10	F01010082	VITE M14X1,5 X50 U5738 8.8 ZN	BOLT M 14X1,5X50	VIS M 14X1,5X50	SCHRAUBE M 14X1,5X50	TORNILLO M 14X1,5X50	
11	F01410088	ROS.M14 15X 28X2,5 U6592 ZN	WAS.M14 15X 28X2,5 U6592 ZB	RON.M14 15X 28X2,5 U6592 ZB	SCH.M14 15X 28X2,5 U6592 ZB	ARA.M14 15X 28X2,5 U6592 ZB	
12	F01220070	DADO M16X 1,5 D980 8 ZN	NUT M16X 1,5 D980 8 ZB	ECRO.M16X 1,5 D980 8 ZB	MUTT.M16X 1,5 D980 8 ZB	TUER.M16X 1,5 D980 8 ZB	
13	F01220059	DADO M14X 1,5 D980 8 ZN	NUT M14X 1,5 D980 8 ZB	ECROU M14X 1,5 D980 8 ZB	MUTTER M14X 1,5 D980 8 ZB	TUERCA M14X 1,5 D980 8 ZB	
14	M23400871	COMP. SUPPORTO RASCH.GRANDE	TRIPLE SOIL SCRAPER SUPPORT	SUPPORT DECROTTOIR TRIPLE	DRITTE ABSTREIFER HALTERUNG	SUPORTE RASQUETA TRIPLA	
15	F20110751	CAV.Q.M12X1,75X 30 93X120 ZN	CONNE.M12X1,75X30 93X120 ZN	ATTEL.M12X1,75X30 93X120 ZN	VERBI.M12X1,75X30 93X120 ZN	PERNO M12X1,75X30 93X120 ZN	
16	F01220048	DADO M12X1,75 D980 8 ZN	NUT M12X1,75 D980 8 ZB	ECROU M12X1,75 D980 8 ZN	SCHIBE M12X1,75 D980 8 ZN	TUERCA M12X1,75 D980 8 ZN	
17	M23400873	COMP. SUPPORTO RASCH.PICCOLO	DOUBLE SOIL SCRAPER SUPPORT	SUPPORT DECROTTOIR DOUPLE	DOPPEL ABSTREIFER HALTERUNG	SOPORTE RASQUETA DOBLA	
18	M43418460	TRAVE POSTERIORE RULLO 1500C	SOIL SCRAPER FRAME 1500c	CHASSIS ATT. DECROTTOIR 2500	ABSTREIFERRAHMEN 1500c	TELAR ATAQUE RASQUETA 1500c	
19	M43420460	TRAVE POSTERIORE RULLO 2000A	SOIL SCRAPER FRAME 2000A	CHASSIS ATT. DECROTTOIR 2000A	ABSTREIFERRAHMEN 2000A	TELAR ATAQUE RASQUETA 2000A	
20	M43423460	TRAVE POSTERIORE RULLO 2000C	SOIL SCRAPER FRAME 2000C	CHASSIS ATT. DECROTTOIR 2000C	ABSTREIFERRAHMEN 2000C	TELAR ATAQUE RASQUETA 2000C	
21	M43425460	TRAVE POSTERIORE RULLO 2500A	SOIL SCRAPER FRAME 2500	CHASSIS ATT. DECROTTOIR 2500	ABSTREIFERRAHMEN 2500	TELAR ATAQUE RASQUETA 2500	
22	M43430460	TRAVE POSTERIORE RULLO 3000A	SOIL SCRAPER FRAME 3000A	CHASSIS ATT. DECROTTOIR 3000A	ABSTREIFERRAHMEN 3000A	TELAR ATAQUE RASQUETA 3000A	
23	M43435460	TRAVE POSTERIORE RULLO 3500A	SOIL SCRAPER FRAME 3500A	CHASSIS ATT. DECROTTOIR 3500A	ABSTREIFERRAHMEN 3500A	TELAR ATAQUE RASQUETA 3500A	
24	M43440460	TRAVE POSTERIORE RULLO 4000A	SOIL SCRAPER FRAME 4000A	CHASSIS ATT. DECROTTOIR 4000A	ABSTREIFERRAHMEN 4000A	TELAR ATAQUE RASQUETA 4000A	
25	M43445460	TRAVE POSTERIORE RULLO 4500B	SOIL SCRAPER FRAME 4500B	CHASSIS ATT. DECROTTOIR 4500B	ABSTREIFERRAHMEN 4500B	TELAR ATAQUE RASQUETA 4500B	
27	M43418457	TRAVE ANTERIORE RULLO 1500C	BEAM 1500C	POUTRE 1500C	HAUPTTTRAEGER 1500C	VIGA 1500C	
28	M43420457	TRAVE ANTERIORE RULLO 2000A	BEAM 2000A	POUTRE 2000A	HAUPTTTRAEGER 2000A	VIGA 2000A	
29	M43423457	TRAVE ANTERIORE RULLO 2000C	BEAM 2000C	POUTRE 2000C	HAUPTTTRAEGER 2000C	VIGA 2000C	
30	M43425457	TRAVE ANTERIORE RULLO 2500A	BEAM 2500A	POUTRE 2500A	HAUPTTTRAEGER 2500A	VIGA 2500A	
31	M43430457	TRAVE ANTERIORE RULLO 3000A	BEAM 3000A	POUTRE 3000A	HAUPTTTRAEGER 3000A	VIGA 3000A	
32	M43435457	TRAVE ANTERIORE RULLO 3500A	BEAM 3500A	POUTRE 3500A	HAUPTTTRAEGER 3500A	VIGA 3500A	
33	M43440457	TRAVE ANTERIORE RULLO 4000A	BEAM 4000A	POUTRE 4000A	HAUPTTTRAEGER 4000A	VIGA 4000A	
34	M43445457	TRAVE ANTERIORE RULLO 4500A	BEAM 4500A	POUTRE 4500A	HAUPTTTRAEGER 4500A	VIGA 4500A	
36	M23418700	COMP.ROT.RUL.SPUNT.500 1500C	SPIKE ROLLER ROTOR D500 1500C	ROTOR ROULEAU DENTS D500 1500	ZINKENWALZEROTOR D500 1500C	ROTOR RODIL.DIENTES D500 1500C	
37	M23420700	COMP.ROT.RUL.SPUNT.500 2000A	SPIKE ROLLER ROTOR D500 2000A	ROTOR ROULEAU DENTS D500 2000A	ZINKENWALZEROTOR D500 2000A	ROTOR RODIL.DIENTES D500 2000A	
38	M23423700	COMP.ROT.RUL.SPUNT.500 2000C	SPIKE ROLLER ROTOR D500 2000C	ROTOR ROULEAU DENTS D500 2000C	ZINKENWALZEROTOR D500 2000C	ROTOR RODIL.DIENTES D500 2000C	
39	M23425700	COMP.ROT.RUL.SPUNT.500 2500A	SPIKE ROLLER ROTOR D500 2500A	ROTOR ROULEAU DENTS D500 2500A	ZINKENWALZEROTOR D500 2500A	ROTOR RODIL.DIENTES D500 2500A	
40	M23430700	COMP.ROT.RUL.SPUNT.500 3000A	SPIKE ROLLER ROTOR D500 3000A	ROTOR ROULEAU DENTS D500 3000A	ZINKENWALZEROTOR D500 3000A	ROTOR RODIL.DIENTES D500 3000A	
41	M23435700	COMP.ROT.RUL.SPUNT.500 3500A	SPIKE ROLLER ROTOR D500 3500A	ROTOR ROULEAU DENTS D500 3500A	ZINKENWALZEROTOR D500 3500A	ROTOR RODIL.DIENTES D500 3500A	
42	M23440700	COMP.ROT.RUL.SPUNT.500 4000A	SPIKE ROLLER ROTOR D500 4000A	ROTOR ROULEAU DENTS D500 4000A	ZINKENWALZEROTOR D500 4000A	ROTOR RODIL.DIENTES D500 4000A	
43	M23445700	COMP.ROT.RUL.SPUNT.500 4500A	SPIKE ROLLER ROTOR D500 4500A	ROTOR ROULEAU DENTS D500 4500A	ZINKENWALZEROTOR D500 4500A	ROTOR RODIL.DIENTES D500 4500A	
45	M38100695	DENTE RULLO SPUNT. D=26 L= 456	ROLLER TOOTH	DENT POUR ROULEAU	ZINKENMESSER	DIENTE POR RODILLO	
46	F01100011	ING.M 6X1 7663-A 9SMNPB28 ZN	GREASE NIPPLE M6X1 7663-A ZN	GRAISS. A BILLE M6X1 7663A ZN	SCHMIERBUECHSE M6X1 7663-A ZN	ENGRAS. DE ESFERAS M6X1 7663-A	
47	M43400704	GUARNIZIONE METALLICA H42	GASKET H42	JOINT H42	DICHTUNG H42	JUNTA	
48	M23400439	FLANGIA SUPP. RULLO OSC. H. 42	SUPPORT FLANGE H.42	SUPPORT H.42	HALTER H.42	SOPORTE H.42	
49	F02050168	ANELLO E. DE 40X1,75 U7435 C70	SEEGER RING 40X1,75 U7435 C70	BAGUE SEEGER 40X1,75 U7435 C70	SEEGERRING 40X1,75 U7435 C70	ANIL.SEEGER 40X1,75 U7435 C70	
50	M48000307	ANELLO RINF.40X50X1,5 C70 TEMP	STIFFENER RING 40X50X1,5 C70	BAGUE DE RENFORCEM. 40X50X1,5	SEEGER RING 40X50X1,5 C70	ANILLO REFUERZO 40X50X1,5	
51	F04010184	CUSC.D40 D80 BOMB.18 6208 2RS1	BEARING D40 D80 BOMB.18 6208	ROULEMENT D40 D80 BOMB.18 6208	LAGER D40 D80 BOMB.18 6208 2RS	COJINETE D40 D80 BOMB.18 6208	
52	M38100990	GUARNIZIONE ELASTICA	GASKET	JOINT	DICHTUNG	JUNTA	
53	M23400438	MOZZO CUSCINETTO OSCILLANTE	BEARING HUB	MOYEU	NABE	CUBO	
54	M43400707	FLANGIA SPESSORE	INNER FLANGE	FLASQUE INTERIEUR	INNENFLANSCH	BRIDA INTERNA	
55	F01010281	VITE M12X1,25X25 U5740 8.8 ZN	BOLT M 12X1,25X25	VIS M 12X1,25X25	SCHRAUBE M 12X1,25X25	TORNILLO M 12X1,25X25	

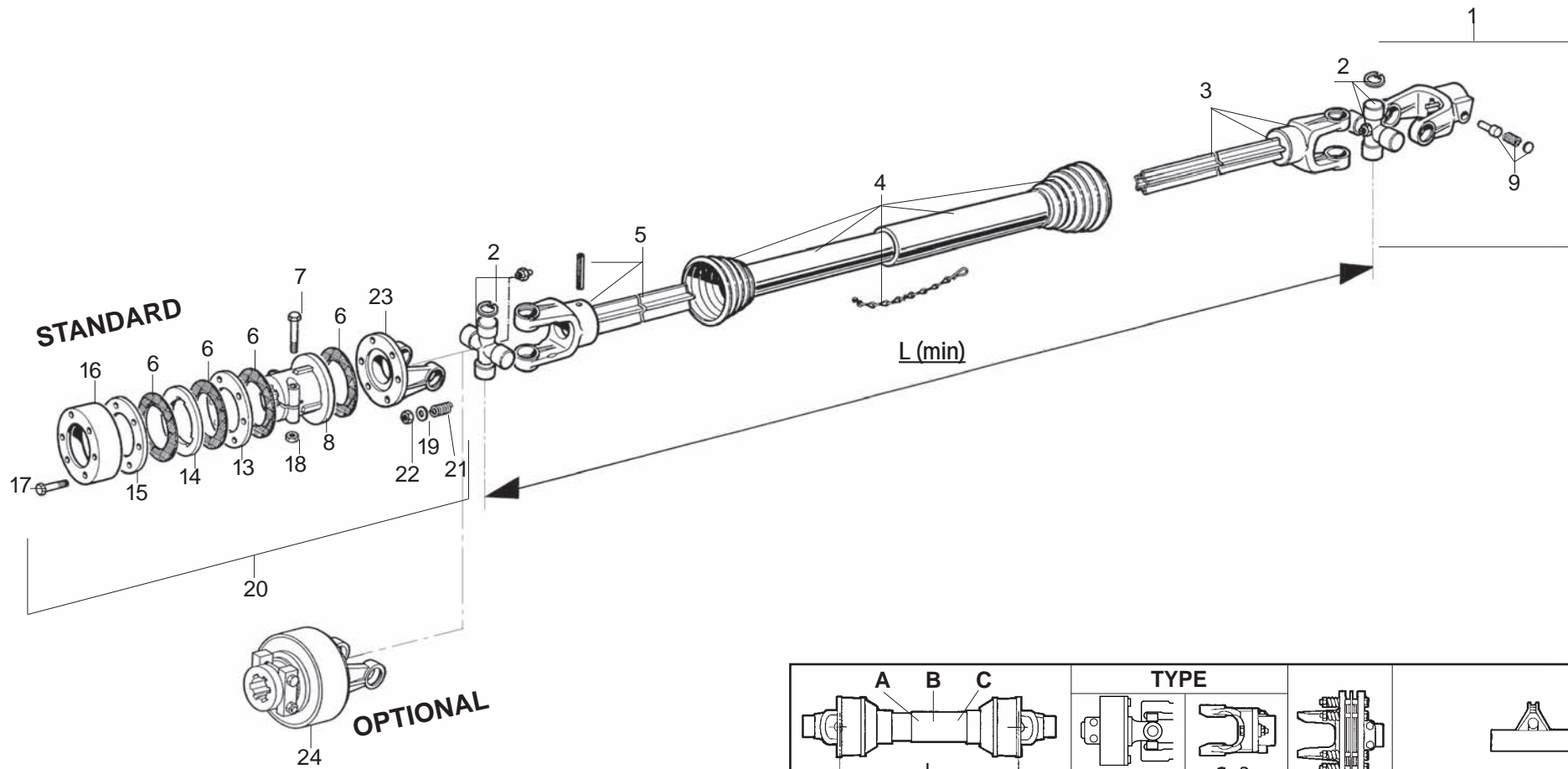
WALTERSCHEID

B

		
MH F08011588 L=1004	X	



POS	CODICE	DESCRIZIONE	DESCRIPTION	DESCRIPTION	BENENNUNG	DESCRIPCION	TAV.CARD 1
1	F08010459	FORCELLA COMP.PULS.-1'3/8 Z6	LINKAGE FORK-1'3/8 Z6	FOURCHE ATTELAGE-1'3/8 Z6	GABELSTUECK-1'3/8 Z6	HORQUILLA ATAQUE-1'3/8 Z6	
2	F08010686	CROCIERA COMPLETA	SPIDER ASSY	CROISIERE COMPL.	GELENKKREUZ KOMPL.	CRUCETA COMPLETA	
3	F08010544	FORCELLA CON TUBO ESTERNO SALD	YOKE WITH EXTER. WELDING PIPE	FOURCHE AVEC TUBE EXTERIEUR	GABELST. + AUSSENROHR	HORQUILLA + TUBO EXTERNO	
4	F08010893	PROTEZIONE COMPLETA	PROTECTION ASSY	PROTECTION COMPL.	KOMPL. SCHUTZ	PROTECCION COMPL.	
5	F08010533	FORCELLA CON TUBO INTERNO	FORK WITH INTERNAL PIPE	FOURCHE AVEC TUBE INTERIEUR	GABELST. + INNENROHR	HORQUILLA + TUBO INTERNO	
6	F08011352	FRIZIONE COMPLETA	CLUTCH ASSY	EMBRYAGE COMPL.	KOMPL. KUPPLUNG	FRICCION COMPL.	



		TYPE				
A B C						
A	F08011589 L= 1004	-	-	20	STANDARD	C
B	F08011600 L= 1025	24	-	-	OPTIONAL	

POS	CODICE	DESCRIZIONE	DESCRIPTION	DESCRIPTION	BENENNUNG	DESCRIPCION	TAV.CARD2
A	F08011589	CARD.GKN 181077 FRIZ. A DISCHI	UNIVERSAL P T O SHAFT	ARBRE A CARDAN	GELENKWELLE	ARBOL CARDANICO	
B	F08011600	CARD.GKN 186373 FRIZ. A CAMME	UNIVERSAL P T O SHAFT	ARBRE A CARDAN	GELENKWELLE	ARBOL CARDANICO	
1	F08010459	FORCELLA COMPPULS.-1'3/8 Z6	LINKAGE FORK-1'3/8 Z6	FOURCHE ATTELAGE-1'3/8 Z6	GABELSTUECK-1'3/8 Z6	HORQUILLA ATAQUE-1'3/8 Z6	
2	F08010686	CROCIERA COMPLETA	SPIDER ASSY SERIES	CROISIERE COMPL. SERIE	GELENKKREUZ KOMPL. SERIE	CRUCETA COMPL. SERIE	
3	F08010533	FORCELLA CON TUBO INTERNO	FORK WITH INTERNAL PIPE	FOURCHE AVEC TUBE INTERIEUR	GABELST. + INNENROHR	HORQUILLA + TUBO INTERNO	
4	F08010851	PROTEZIONE COMPLETA	PROTECTION ASSY	PROTECTION COMPL.	KOMPL. SCHUTZ	PROTECCION COMPL.	
5	F08010721	FORCELLA + TUBO ESTERNO	FORK WITH EXTERNAL PIPE	FOURCHE AVEC TUBE EXTERIEUR	GABELST. + AUSSENROHR	HORQUILLA + TUBO ESTERNO	
6	F08010909	DISCO D'ATTRITO	LINING	DISQUE DE FROTTEMENT	KUPPLUNGSCHEIBE	DISCO FROTAMIENTO	
7	F01020162	VITE M12X1,75X65 U5737 8.8 ZN	BOLT M12X1,75X65 U5737 8.8 ZG	VIS M12X1,75X65 U5737 8.8 ZG	SCHRAUBE M12X1,75X65 U5737 8.8	TORNILLO M12X1,75X65 U5737 8.8	
8	F08011074	MOZZO SCANALATO	SPLINED HUB	MOYEU CANNELE	KEILNABE	CUBO ACANALADO	
13	F08010954	DISCO INTERMEDIO	LINING	DISQUE DE FROTTEMENT	KUPPLUNGSCHEIBE	DISCO FROTAMIENTO	
14	F08010936	DISCO DI TRASCINAMENTO	DISC	DISQUE	SCHUBBETRIEBSSCHEIBE	DISCO ARRASTRE	
15	F08010972	DISCO DI PRESSIONE	PRESSURE DISC	DISQUE DE PRESSION	DRUCKSCHEIBE	DISCO DE PRESION	
16	F08010824	PROTEZIONE	FRICITION PROTECTION COVER	CALOTTE COUVRE EMBRAYAGE	HAUBE	TAPA EMBRAGUE	
17	F01010065	VITE M12X1,25X110 5738 8.8 ZN	BOLT M 12X1,25X110	VIS M 12X1,25X110	SCHRAUBE M 12X1,25X110	TORNILLO M 12X1,25X110	
18	F01230057	DADO M12X1,75	NUT M12X1,75	ECROU M12X1,75	MUTTER M12X1,75	DADO M12X1,75	
19	F01410076	ROS.M12 13X 24X2,5 U6592 ZN	PLANE WASHER D12 UNI 6592 ZN	RONDELLE D12 UNI 6592 ZN	SCHEIBE D12 UNI 6592 ZN	ARANDELA D12 UNI 6592 ZN	
20	F08010996	LIMITATORE COMPLETO GKN	CLUTCH ASSY	EMBRAYAGE COMPL.	KOMPL. KUPPLUNG	FRICCION COMPL.	
21	F08011222	MOLLA DI PRESSIONE 660153	PRESSURE SPRING	RESSORT DE PRESSION	DRUCKFEDER	MUELLE DE PRESION	
22	F01200073	DADO M12X1,25 U5587 6S ZN	NUT M12X1,25	ECROU M12X1,25	MUTTER M12X1,25	DADO M12X1,25	
23	F08010417	FORCELLA GR-2500 36.73.01	FLANGE FORK	FOURCHE AVEC FLASQUE	GABELSTUECK M. FLANSCH	HORQUILLA BRIDA	
24	F08011007	FRIZIONE COMPL.CAMME GKN	CLUTCH ASSY	EMBRAYAGE COMPL.	KOMPL. KUPPLUNG	FRICCION COMPL.	

**RICHIEDETE SEMPRE RICAMBI ORIGINALI MARCHIATI  GARANZIA DI ASSOLUTA QUALITÀ!
 USE  GENUINE PARTS ONLY, A GUARANTEE OF ABSOLUTE QUALITY!
 BENUTZEN SIE NUR ORIGINALTEILE MIT DEM EINGEPRÄGTEN  DIE GARANTIE FÜR ABSOLUTE QUALITÄT
 EXIGEZ LES PIÈCES DE RECHANGE ESTAMPILLES  GARANTIE DE QUALITE ABSOLUE
 UTILICEN REPUESTOS ORIGINALES  GARANTIA Y FIABILIDAD**

**La garanzia MASCHIO sulle macchine ha valore solo se utilizzate Ricambi Originali
 MASCHIO Warranty will only cover machines that are fitted with genuine Maschio parts
 Nur der Einsatz von MASCHIO Originalteilen sichert Ihnen die Garantie für Ihre MASCHIO-Geräte
 Les garanties ne s'appliquent que pour les machines équipées de pièces d'origine MASCHIO
 MASCHIO garantiza sus maquinas solo en caso de que esten equipadas con recambios originales**



Agip ROTRA MP

CLASSIFICAZIONE SAE 85W/140

L'olio **AGIP ROTRA MP** soddisfa le seguenti specifiche:
AGIP ROTRA MP oil complies with the following specifications:
 Das Öl **ROTRA MP** entspricht den folgenden Normen:
 L'huile **AGIP ROTRA MP** satisfait les spécifications suivantes:
 L'aceite **AGIP ROTRA MP** satisfa los siguientes normas:

- API GL5
 - MIL-L-2105C



Agip GR MU EP2

Il grasso **AGIP GR MU EP 2** soddisfa le seguenti specifiche:
AGIP GR MU EP 2 grease complies with the following specifications:
 Das Fett **AGIP GR MU EP 2** entspricht den folgenden Normen:
 La graisse **AGIP GR MU EP 2** satisfait les spécifications suivantes:
 La grasa **AGIP GR MU EP 2** satisfa los siguientes normas:

- DIN 51825 (KP2K)



MASCHIO GASPARDO S.p.A.
 Registered office & Production plant
 Via Marcello, 73
 I-35011 Campodarsego (Padova) Italy
 Tel. +39 049 9289810
 Fax +39 049 9289900
 www.maschionet.com
 info@maschio.com

GASPARDO

MASCHIO GASPARDO SpA
 Production plant
 Via Mussons, 7 - 33075
 Morsano al Tagliamento (PN) - Italy
 Tel. +39 0434 695410
 Fax +39 0434 695425
 Email: info@gaspardo.it

MASCHIO DEUTSCHLAND GmbH
 Äußere Nürnberger Straße 5
 D-91177 Thalmässing
 Deutschland
 Tel. +49 (0) 9173 79000
 Fax +49 (0) 9173 790079

MASCHIO-GASPARDO USA, Inc.
 120 North Scott Park Road
 Eldridge, IA 52748 - USA
 Ph. +1 563 - 285 9937
 Fax +1 563 - 285 9938

MASCHIO FRANCE S.a.r.l.
 1, rue de Merignan ZA
 F-45240 - La Ferte St. Aubin - France
 Tel. +33 (0) 2.38.64.12.12
 Fax +33 (0) 2.38.64.66.79

MASCHIO-GASPARDO ROMANIA S.R.L.
 Strada Înfrăţirii, F.N.
 315100 Chisineu-Cris (Arad) - România
 Tel. +40 257 307030
 Fax +40 257 307040

000 МАСКИО-ГАСПАРДО РУССИЯ
 Улица Пушкина, 117 Б
 404126 Волжский - Волгоградская область
 Тел. +7 8443 515152
 факс. +7 8443 515153

MASCHIO IBERICA
MASCHIO-GASPARDO POLAND
MASCHIO-GASPARDO UCRAINA
GASPARDO-MASCHIO TURCHIA
MASCHIO-GASPARDO CINA