

FERRI[®]

Boom mowers for agriculture
and green areas

T470P
SMART



T470P

SMART

T470P is the new boom mower designed for farmers as well as small contractors using a compact tractor. The new T470 is equipped with a 102° power slew and hydraulic break back.

In collaboration with IMAMOTER CNR institute, we achieved to reduce weight thanks to an innovative oil tank in polypropylene. A performing hydraulic system equipped with case iron pump guarantees productivity and reliability.

Boom mowers for agriculture and green areas



The polypropylene oil tank is separated from the frame and allows it to be isolated from any structural stress. Fully recyclable.

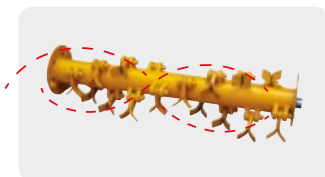
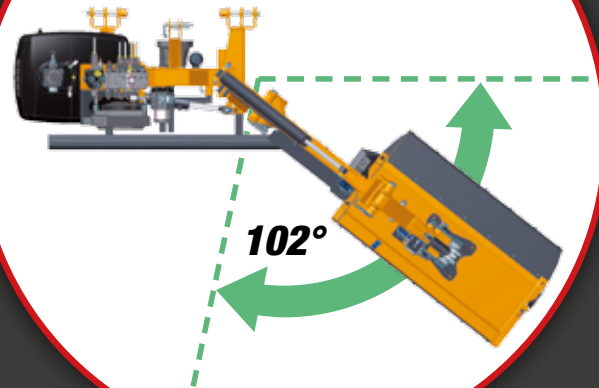


Developed and tested in collaboration with:



Hydraulic breakaway

on power slew ram with max. relief valve (safeguards arm in case of obstacles)



“Overlap” spiral rotor with two spiral rows.



Flail head angle 230°



Cast iron hydraulic rotor pump group 3



classic
Cable controls

FERRI®



IMPLEMENTS



electra

Electra: Mono lever
electric controls



Cutter bar

OPTIONAL



(Optional) Bumpers with
illumination system.




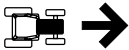

Boom mowers for agriculture and green areas





Technical data		T470P SMART
Model		FARM
Max horizontal reach*	ft	15'3"
3 Points Linkage	Cat.	II
Weight	lbs	1521
Oil	gal	31,7
P.t.o.	MAX Rpm	540

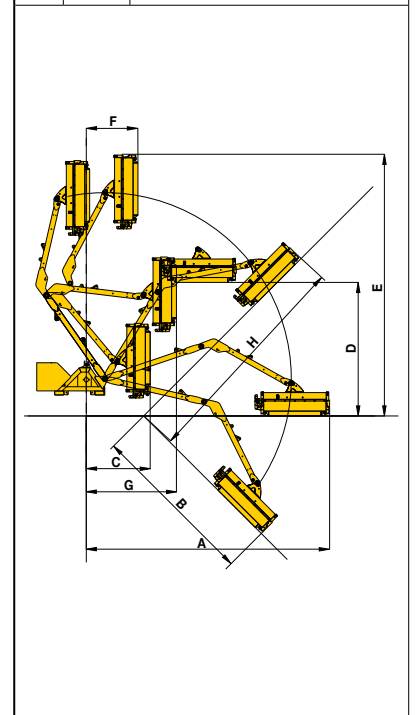
* Reach measured from tractor centre line to head edge.

Flail head		T1100	 <p>T1100 Direct Drive Cast iron motor</p>
Width of cut	ft	3'3"	
Rotor speed	Rpm	3100	
Blade tip speed	ft/sec	196	
Flail head angle		230°	
Weight	lbs	385	
Power available to the rotor	HP	35	
Power max to hydraulic motor	HP	45	

Tractor						
HP		50	60	70	Min. Tractor weight	Min. Tractor width
T470P SMART FARM					4850 lbs	5'11" ft

Flails		N°
T1100 Interchangeable on the same rotor		
"Y" blades for: grass, shrubs, sticks, woods	Ø max 1 1/4"	 36
"T" Hammer blades for: woods	Ø max 1 3/4"	 18

Working positions (ft)		
T460 SMART FARM		
A	ft	15'3"
B	ft	9'5"
C	ft	4'11"
D	ft	8'6"
E	ft	14'9"
F	ft	4'2"
G	ft	6'4"
H	ft	13'11"



All data subject to change campbelladv.com 77314 T470P - USA - EN Rev.1 - 1150

www.ferri-america.com



FERRI srl
Via Govoni, 30
44034 Tamara (FE) Italy
Tel. +39 0532 866866
Fax +39 0532 866851
info@ferri-srl.it - www.ferri-srl.it



North America Sales and Marketing Manager / FERRI
Ronald E. Roglis
Glenarm, Illinois 62536
Cell (314) 422-9460
Fax (217) 483-4123
E-mail: ron.roglis@gmail.com

Parts Stock / FERRI:
J.S. Woodhouse Co., Inc.
1314 Union Street
P.O. Box 1169
West Springfield, Ma. 01090 U.S.A.
tel. 413-736-5462
fax 413-732-3786
info@jswoodhouse.com