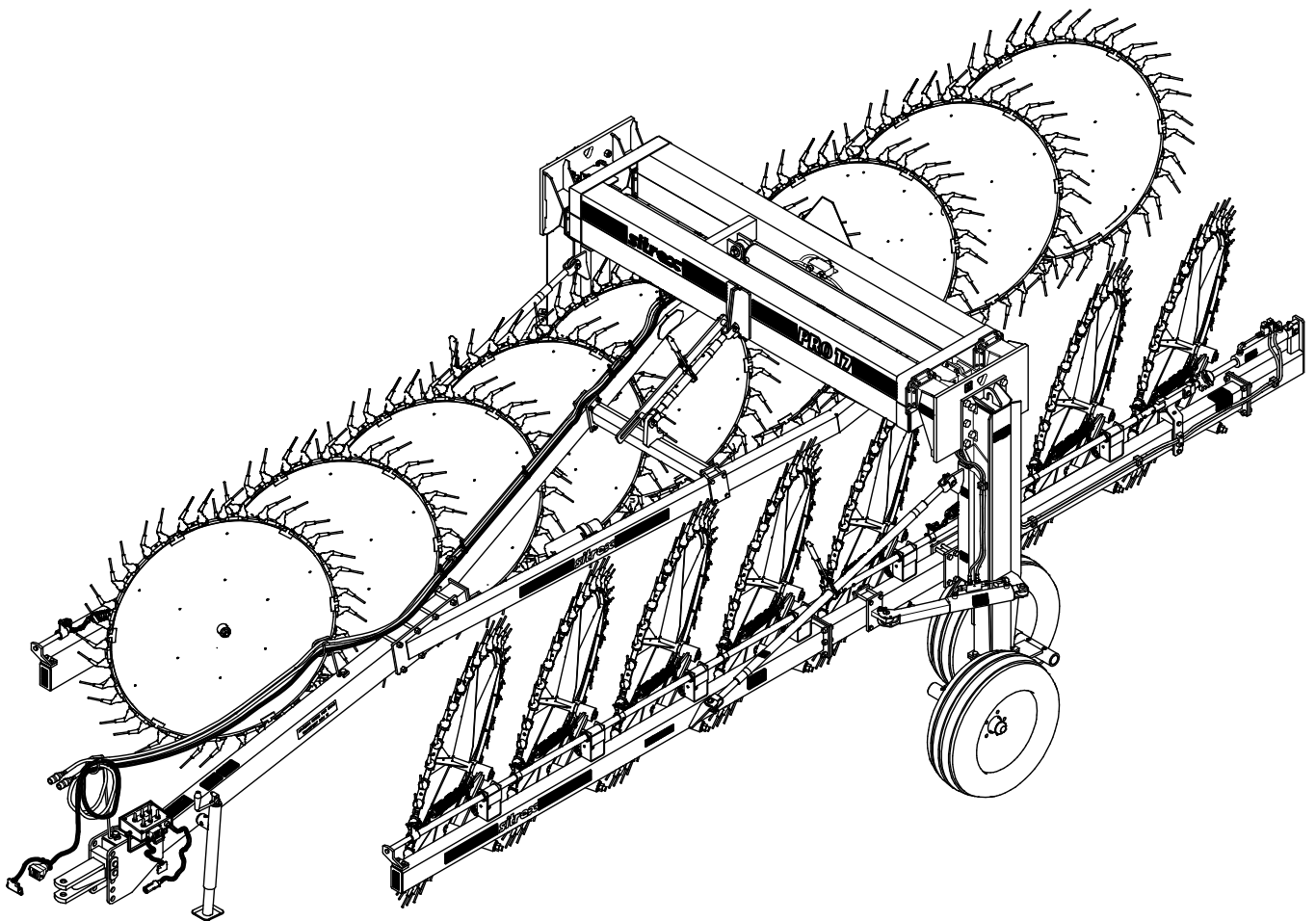


AGRICULTURAL MACHINERY

sitrex®
Spa

SPARE PARTS LIST



PRO SERIES 17 WHEELS

10-2012 (FROM SERIAL NUMBER 238786)

TABLE PART NO 920.294/a

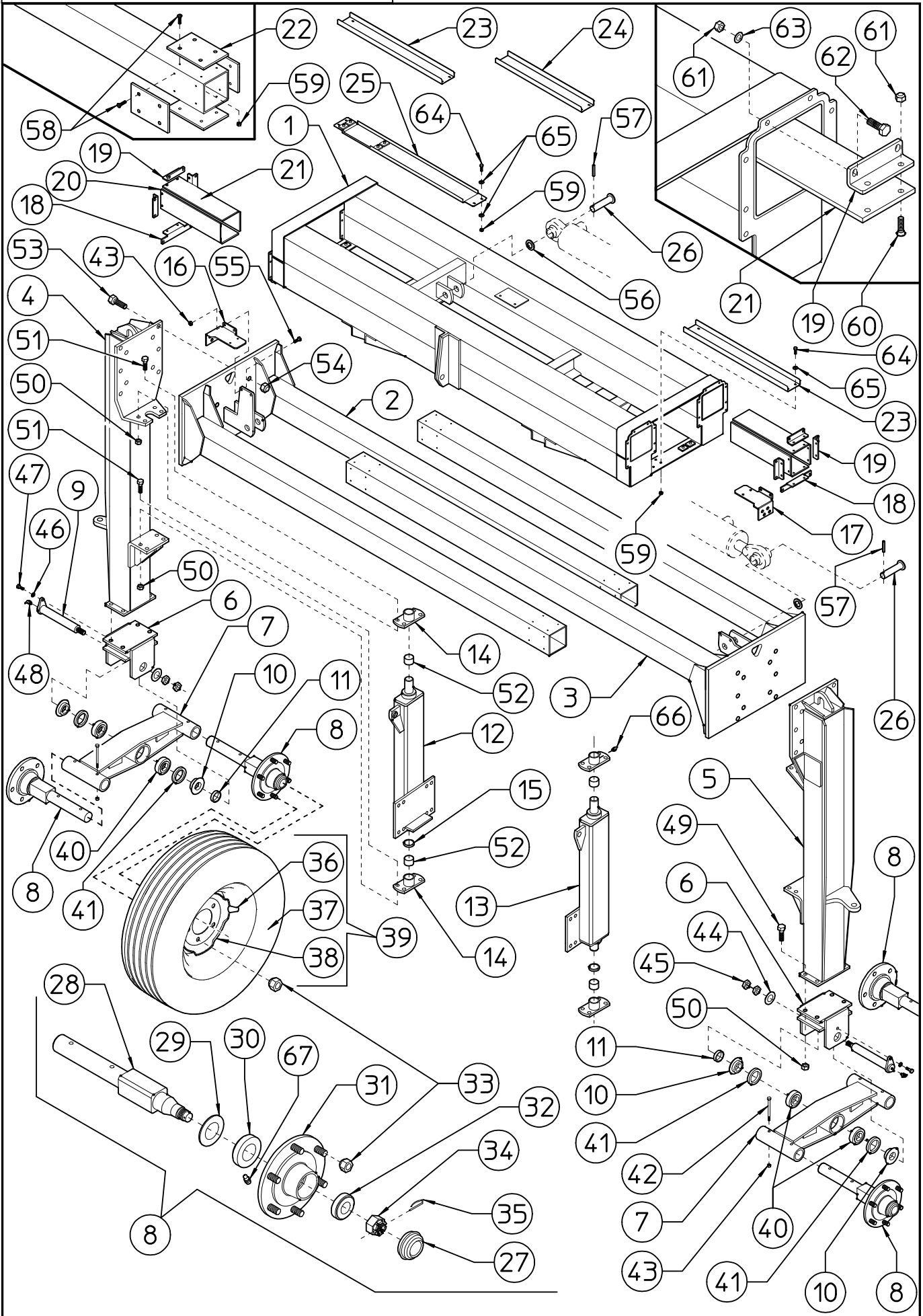


TABLE PART NO 920.294/a

| ITEM | Q.ty | PART NO | DESCRIPTION | NOTE |
|------|------|---------|------------------------------------|------|
| 1 | 1 | 230.527 | CROSSPIECE | |
| 2 | 1 | 230.528 | RH CROSSPIECE | |
| 3 | 1 | 230.529 | LH CROSSPIECE | |
| 4 | 1 | 230.530 | RH WHEEL SUPPORT | |
| 5 | 1 | 230.531 | LH WHEEL SUPPORT | |
| 6 | 2 | 230.556 | SUPPORT | |
| 7 | 2 | 230.557 | SUPPORT | |
| 8 | 4 | 230.554 | HUB ASSY | |
| 9 | 2 | 230.603 | PIN ø45 | |
| 10 | 4 | 230.560 | BUSH | |
| 11 | 2 | 230.561 | SHIM | |
| 12 | 1 | 230.975 | RH SUPPORT (FROM SERIAL NO.238437) | |
| 13 | 1 | 230.976 | LH SUPPORT (FROM SERIAL NO.238437) | |
| 14 | 4 | 230.562 | SUPPORT | |
| 15 | 2 | 230.575 | SHIM | |
| 16 | 1 | 230.748 | RH HOSE SUPPORT | |
| 17 | 1 | 230.749 | LH HOSE SUPPORT | |
| 18 | 4 | 230.537 | SUPPORT | |
| 19 | 12 | 230.536 | SUPPORT | |
| 20 | 2 | 230.622 | SLIDING | |
| 21 | 14 | 230.538 | SLIDING | |
| 22 | 16 | 230.539 | SLIDING | |
| 23 | 2 | 230.534 | SUPPORT | |
| 24 | 2 | 230.619 | SUPPORT | |
| 25 | 1 | 230.535 | SUPPORT | |
| 26 | 4 | 230.604 | PIN ø30 | |
| 27 | 4 | 630.449 | CAP | |
| 28 | 4 | 230.555 | PIN | |
| 29 | 4 | 630.446 | DUST COVER | |
| 30 | 4 | 630.445 | BEARING 30210 | |
| 31 | 4 | 230.558 | HUB | |
| 32 | 4 | 630.444 | BEARING 30207 | |
| 33 | 24 | 620.300 | NUT M18x1,5 | |
| 34 | 4 | 630.447 | NUT M30x1,5 UNI 5594 | |
| 35 | 4 | 600.291 | SPLIT PIN ø3 | |
| 36 | 4 | 630.590 | VALVE | |
| 37 | 4 | 630.588 | TIRE 10.0/75-15.3 | |
| 38 | 4 | 630.589 | RIM 15NB01A | |
| 39 | 4 | 630.587 | COMPLETE WHEEL 10.5 - 15.3 - 10 | |
| 40 | 4 | 630.450 | BEARING 30209A | |
| 41 | 4 | 620.951 | SEAL ø55-85x10 | |
| 42 | 8 | 630.485 | SCREW M10x70 DIN 912 | |
| 43 | 12 | 600.029 | NUT M10 DIN 980 | |
| 44 | 2 | 610.522 | WASHER ø34-60x5 DIN 125A | |
| 45 | 4 | 610.933 | NUT M33 DIN 936 | |
| 46 | 2 | 600.089 | WASHER ø13 DIN 125A | |
| 47 | 2 | 600.770 | SCREW M12x20 DIN 933 | |
| 48 | 2 | 610.808 | GREASE NIPPLE M8-90° | |
| 49 | 8 | 610.167 | SCREW M16x45 DIN 933 | |
| 50 | 24 | 600.080 | NUT M16 DIN 980 | |
| 51 | 16 | 600.384 | SCREW M16x50 DIN 933 | |
| 52 | 4 | 630.451 | BUSH ø40-44x30 | |
| 53 | 20 | 600.251 | SCREW M20x60 DIN 931 | |
| 54 | 20 | 600.717 | NUT M20 DIN 980 | |
| 55 | 4 | 600.148 | SCREW M10x30 DIN 933 | |
| 56 | 4 | 600.587 | WASHER ø31-56x4 DIN 125A | |
| 57 | 4 | 600.586 | SPRING PIN ø10x60 DIN 1481 | |
| 58 | 64 | 630.483 | SCREW M6x20 similar to DIN 7991 | |
| 59 | 80 | 600.472 | NUT M6 DIN 980 | |
| 60 | 32 | 630.136 | SCREW M8x25 similar to DIN 7991 | |
| 61 | 64 | 600.076 | NUT M8 DIN 980 | |
| 62 | 32 | 600.702 | SCREW M8x25 DIN 933 | |
| 63 | 32 | 600.115 | WASHER ø8,4 DIN 125A | |
| 64 | 16 | 630.003 | SCREW M6x20 DIN 933 | |
| 65 | 28 | 600.135 | WASHER ø6,6-18x2 UNI 6593 | |
| 66 | 4 | 600.124 | GREASE NIPPLE M6 | |
| 67 | 2 | 600.034 | GREASE NIPPLE M8 | |

TABLE PART NO 920.295/a

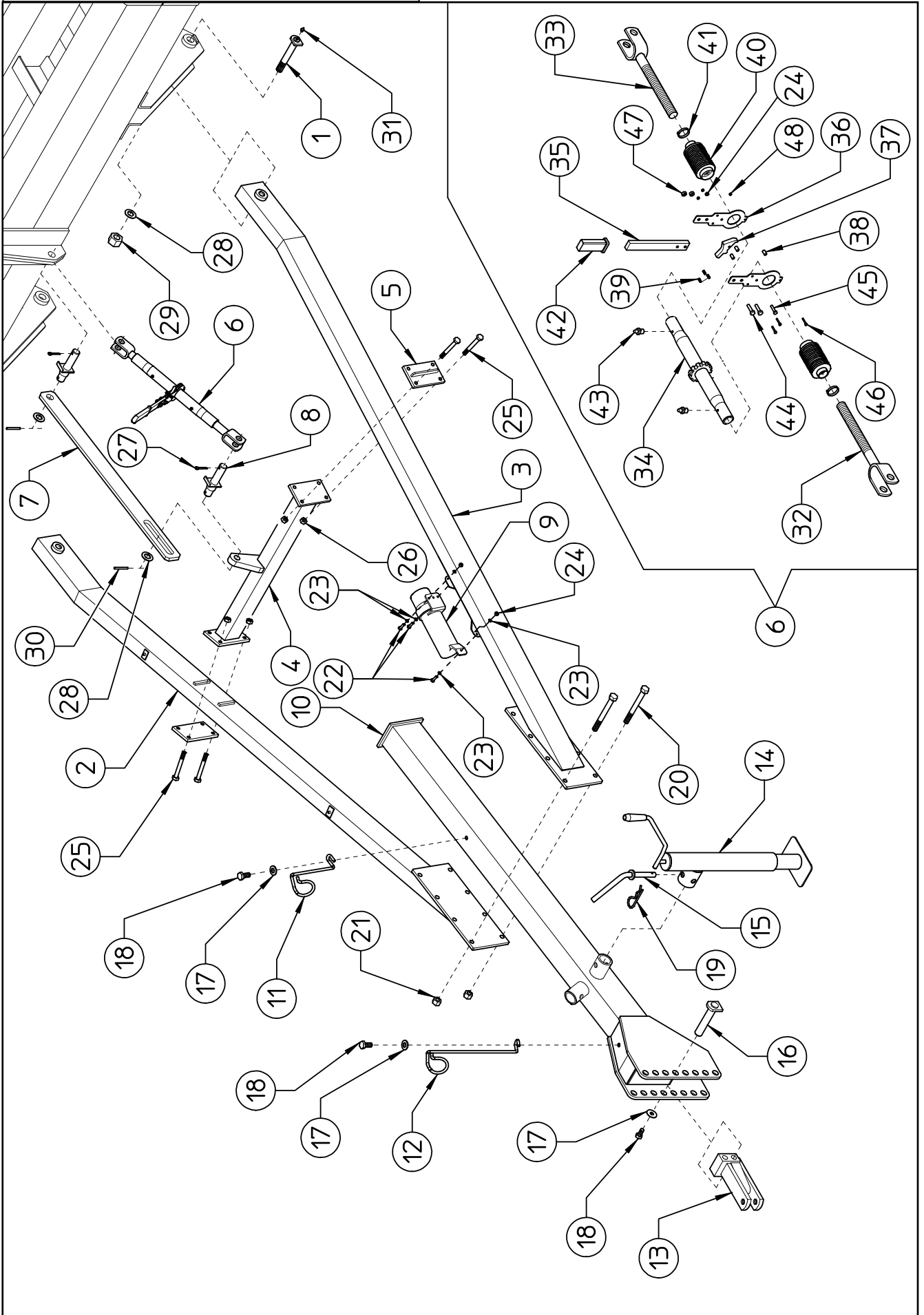
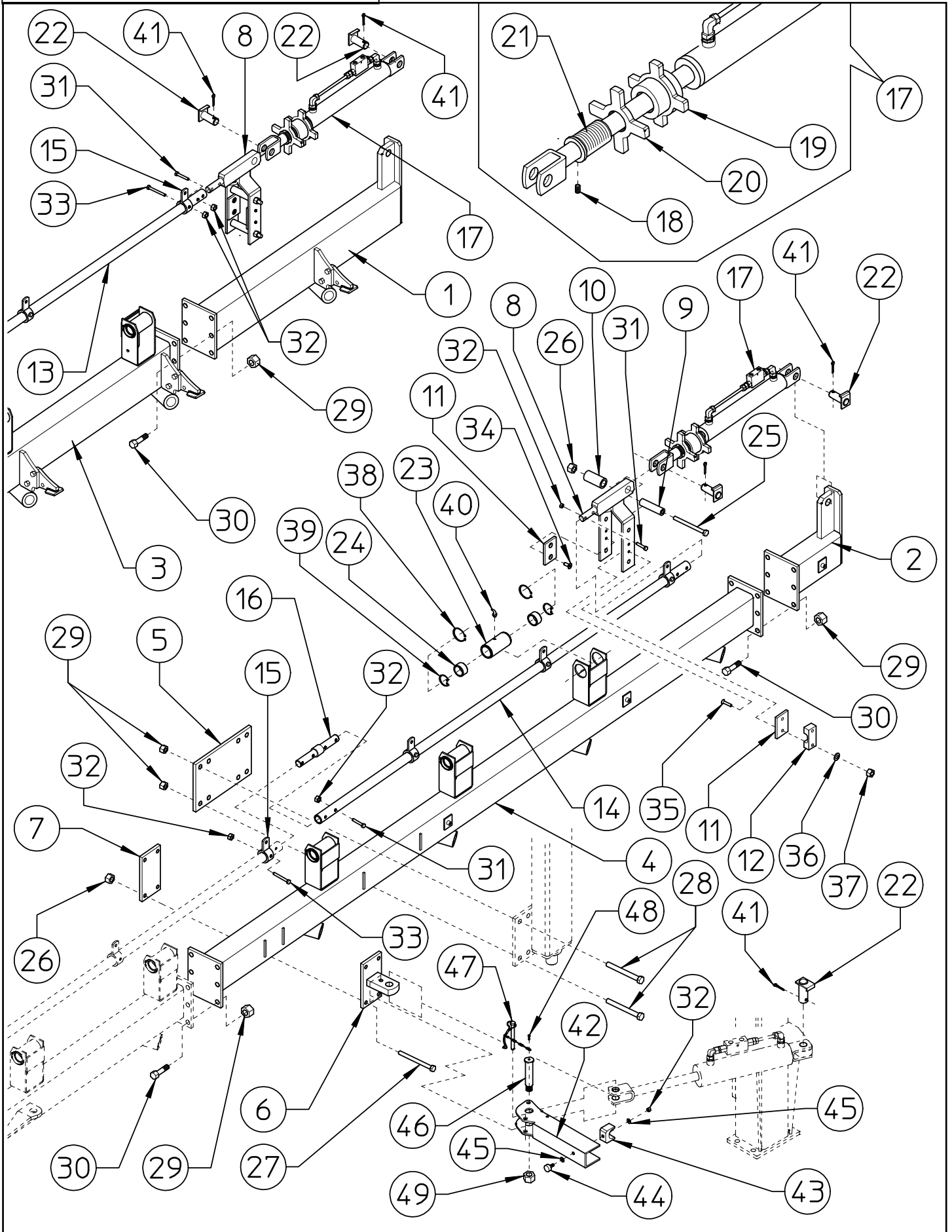


TABLE PART NO 920.295/a

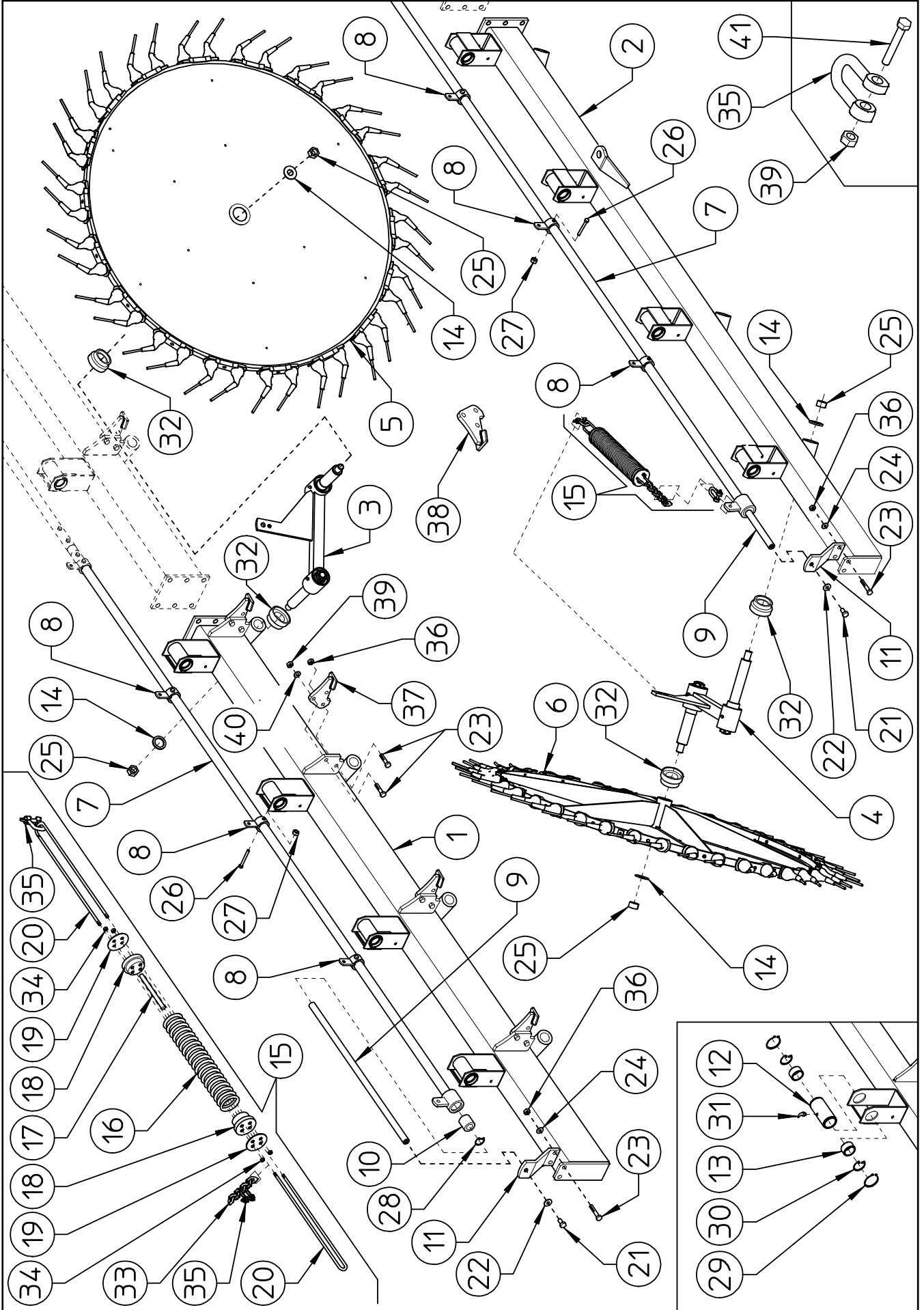
| ITEM | PART NO | Q.ty | DESCRIPTION | NOTE |
|------|---------|------|---------------------------|------|
| 1 | 230.605 | 2 | PIN ø30 | |
| 2 | 230.601 | 1 | RH DRAWBAR | |
| 3 | 230.602 | 1 | LH DRAWBAR | |
| 4 | 250.012 | 1 | SUPPORT | |
| 5 | 250.013 | 2 | COUNTERPLATE | |
| 6 | 230.628 | 1 | RATCHET LINK | |
| 7 | 230.608 | 1 | TIE ROD | |
| 8 | 230.606 | 2 | PIN ø25 | |
| 9 | 230.457 | 1 | CANISTER | |
| 10 | 230.566 | 1 | FRONT DRAWBAR | |
| 11 | 230.573 | 1 | REAR HOSE SUPPORT | |
| 12 | 230.574 | 1 | FRONT HOSE SUPPORT | |
| 13 | 210.306 | 1 | TRACTOR HITCH | |
| 14 | 220.166 | 1 | PARKING STAND | |
| 15 | 200.222 | 1 | PIN | |
| 16 | 200.828 | 2 | PIN ø25 | |
| 17 | 500.160 | 4 | WASHER ø12-40x4 | |
| 18 | 600.441 | 4 | SCREW M12x25 DIN 933 | |
| 19 | 600.019 | 1 | SPLIT PIN ø3 | |
| 20 | 620.866 | 8 | SCREW M16x145 DIN 931 | |
| 21 | 600.080 | 8 | NUT M16 DIN 980 | |
| 22 | 630.003 | 3 | SCREW M6x20 DIN 933 | |
| 23 | 600.135 | 6 | WASHER ø6,6-18x2 UNI 6593 | |
| 24 | 600.472 | 4 | NUT M6 DIN 980 | |
| 25 | 600.003 | 8 | SCREW M14x100 DIN 931 | |
| 26 | 600.075 | 8 | NUT M14 DIN 980 | |
| 27 | 600.038 | 2 | SPLIT PIN ø6x35 DIN 94 | |
| 28 | 600.336 | 4 | WASHER ø25 DIN 125A | |
| 29 | 620.255 | 2 | NUT M24 DIN 980 | |
| 30 | 600.108 | 2 | SPRING PIN ø8x40 DIN 1481 | |
| 31 | 600.034 | 2 | GREASE NIPPLE M8 | |
| 32 | 220.219 | 1 | RH TIEROD | |
| 33 | 220.220 | 1 | LH TIEROD | |
| 34 | 220.218 | 1 | TIE ROD | |
| 35 | 220.213 | 1 | LEVER | |
| 36 | 220.205 | 2 | SUPPORT | |
| 37 | 220.070 | 1 | HOOK | |
| 38 | 220.215 | 3 | SPACER | |
| 39 | 220.073 | 1 | SPRING | |
| 40 | 220.192 | 2 | RUBBER PROTECTION | |
| 41 | 610.507 | 2 | CLAMP ø25-40x9 | |
| 42 | 610.811 | 1 | HANDLE | |
| 43 | 600.124 | 2 | GREASE NIPPLE M6 | |
| 44 | 600.702 | 2 | SCREW M8x25 DIN 933 | |
| 45 | 600.202 | 1 | SCREW M6x25 DIN 933 | |
| 46 | 610.717 | 3 | SCREW M4x25 DIN 933 | |
| 47 | 600.076 | 2 | NUT M8 DIN 980 | |
| 48 | 610.718 | 3 | NUT M4 DIN 982 | |

TABLE PART NO 920.336



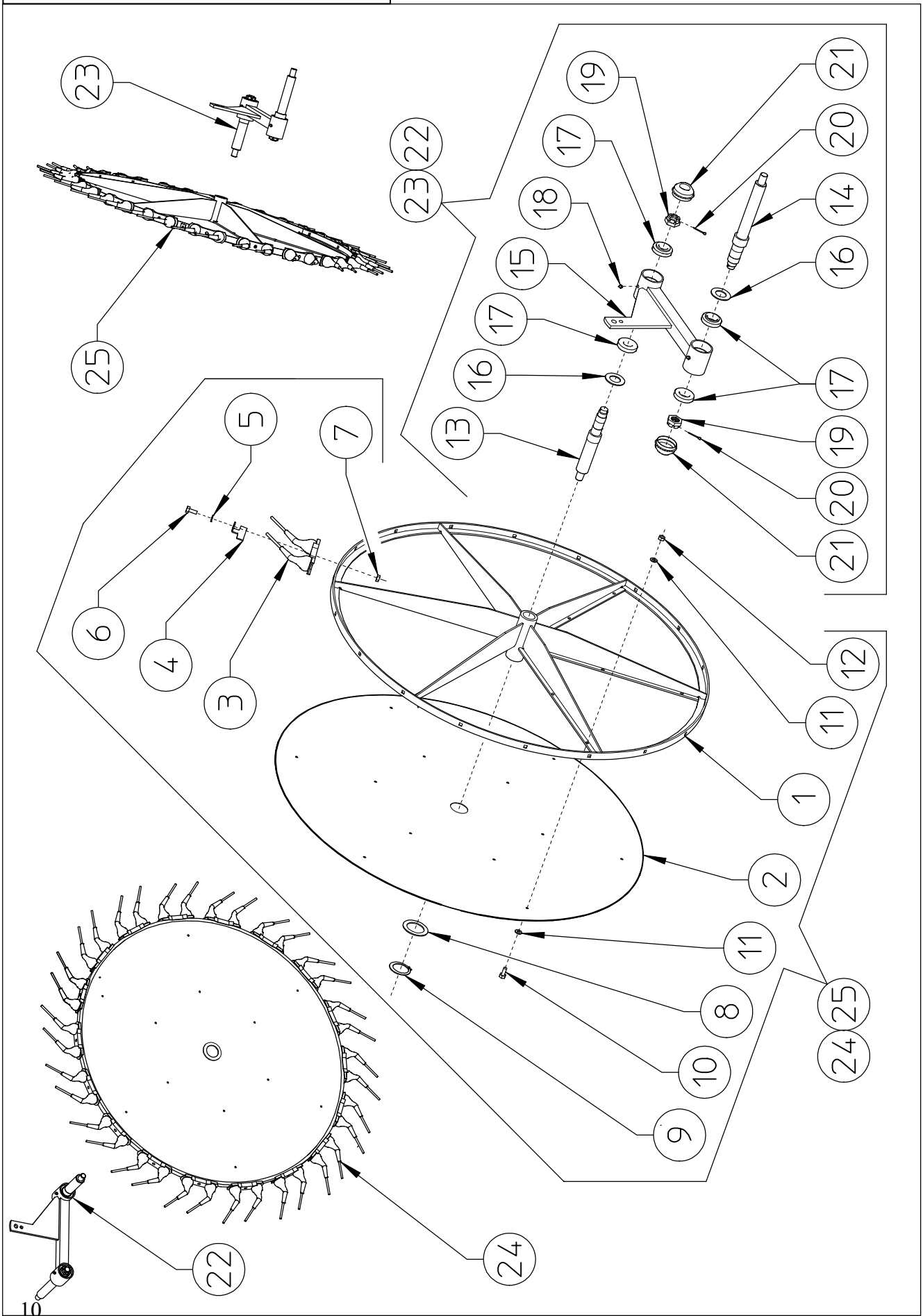
| TABLE PART NO 920.336 | | | | |
|-----------------------|---------|------|--------------------------------------|------------|
| ITEM | PART NO | Q.ty | DESCRIPTION | NOTE |
| 1 | 250.020 | 1 | RH SUPPORT | With block |
| 2 | 230.572 | 1 | LH SUPPORT | |
| 3 | 250.021 | 1 | RH SECTION | With block |
| 4 | 250.022 | 1 | LH SECTION | With block |
| 5 | 230.977 | 2 | COUNTERPLATE (FROM SERIAL NO.238437) | |
| 6 | 230.578 | 2 | SUPPORT | |
| 7 | 230.579 | 2 | COUNTERPLATE | |
| 8 | 230.585 | 2 | SUPPORT | |
| 9 | 230.607 | 4 | SPACER | |
| 10 | 230.613 | 2 | BUSH | |
| 11 | 210.858 | 4 | SLIDING | |
| 12 | 230.623 | 2 | HOSE SUPPORT | |
| 13 | 230.588 | 1 | RH PIPE (L.2960-116,54") | |
| 14 | 230.589 | 1 | LH PIPE (L.2220-87,4") | |
| 15 | 230.592 | 9 | BUSH | |
| 16 | 230.586 | 2 | PIN ø22-35 | |
| 17 | 230.794 | 2 | CYLINDER WITH BUSHING AND VALVE | |
| 18 | 600.583 | 2 | SCREW M6x10 DIN 914 | |
| 19 | 230.583 | 2 | BUSH M40x1,5 | |
| 20 | 230.582 | 2 | LOCK M40x1,5 | |
| 21 | 230.581 | 2 | SCREW M40x1,5 | |
| 22 | 230.368 | 6 | PIN ø25 | |
| 23 | 220.343 | 7 | BUSH | |
| 24 | 220.342 | 14 | NYLON BUSH | |
| 25 | 600.001 | 4 | SCREW M12x140 DIN 931 | |
| 26 | 600.077 | 12 | NUT M12 DIN 980 | |
| 27 | 600.225 | 8 | SCREW M12x120 DIN 931 | |
| 28 | 610.698 | 16 | SCREW M16x130 DIN 931 | |
| 29 | 600.080 | 40 | NUT M16 DIN 980 | |
| 30 | 610.167 | 24 | SCREW M16x45 DIN 933 | |
| 31 | 600.551 | 10 | SCREW M8x45 DIN 931 | |
| 32 | 600.076 | 21 | NUT M8 DIN 980 | |
| 33 | 610.525 | 9 | SCREW M8x60 DIN 931 | |
| 34 | 610.663 | 4 | SCREW M8x16 similar to DIN 7991 | |
| 35 | 630.489 | 4 | SCREW M8x45 similar to DIN 7991 | |
| 36 | 600.229 | 4 | SPRING WASHER ø8,4 DIN 125A | |
| 37 | 600.037 | 4 | NUT M8 DIN 934 | |
| 38 | 610.833 | 14 | SNAP RING E50 DIN 471 | |
| 39 | 610.898 | 14 | RING SB 44 | |
| 40 | 600.968 | 7 | GREASE NIPPLE M6-45° | |
| 41 | 600.038 | 6 | SPLIT PIN ø6x35 DIN 94 | |
| 42 | 230.763 | 2 | LOCK | |
| 43 | 230.764 | 2 | RUBBER LOCK | |
| 44 | 630.534 | 2 | SHOCK ABSORBER ø30x15-M8x20 | |
| 45 | 600.115 | 4 | WASHER ø8,4 DIN 125A | |
| 46 | 230.765 | 2 | PIN ø25 | |
| 47 | 230.766 | 2 | SPLIT PIN ø10 WITH CHAINE | |
| 48 | 600.668 | 2 | SCREW M6x12 DIN 931 | |
| 49 | 600.717 | 2 | NUT M20 DIN 980 | |
| * | 230.767 | 2 | PIN ø25 WITH ACCESSORIES | |

TABLE PART NO 920.335



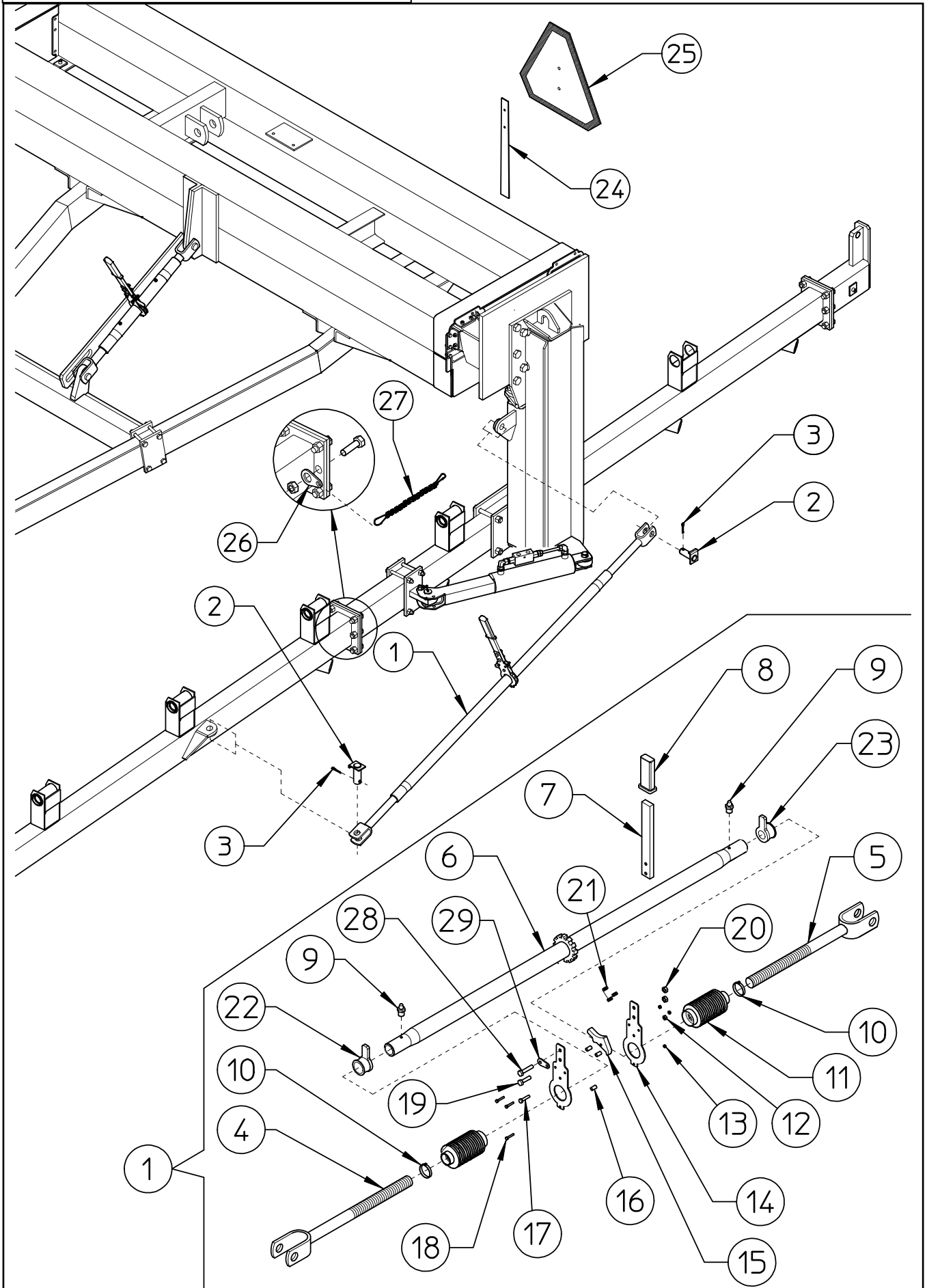
| TABLE PART NO 920.335 | | | | |
|-----------------------|---------|------|-------------------------------------|------------|
| ITEM | PART NO | Q.ty | DESCRIPTION | Note |
| 1 | 250.023 | 1 | RH SECTION | With block |
| 2 | 250.024 | 1 | LH SECTION | With block |
| 3 | 230.540 | 9 | RH ARM, ASSY | |
| 4 | 230.541 | 8 | LH ARM, ASSY | |
| 5 | 230.543 | 9 | RH FINGER WHEEL, ASSY | |
| 6 | 230.544 | 8 | LH FINGER WHEEL, ASSY | |
| 7 | 230.587 | 2 | PIPE (L.3040-119,68") | |
| 8 | 230.592 | 6 | BUSH | |
| 9 | 230.590 | 2 | ROD ø20 | |
| 10 | 230.591 | 2 | BUSH ø35 | |
| 11 | 230.831 | 2 | FRONT SUPPORT | |
| 12 | 220.343 | 8 | BUSH | |
| 13 | 220.342 | 16 | NYLON BUSH | |
| 14 | 200.165 | 34 | WASHER ø23-50x4 | |
| 15 | 230.738 | 17 | SPRING, ASSY | |
| 16 | 230.739 | 17 | SPRING | |
| 17 | 230.743 | 17 | RUBBER SPRING | |
| 18 | 230.742 | 34 | NYLON BUSH | |
| 19 | 230.741 | 34 | PLATE | |
| 20 | 230.740 | 34 | TIE ROD | |
| 21 | 600.770 | 2 | SCREW M12x20 DIN 933 | |
| 22 | 600.018 | 2 | SPRING WASHER ø13 DIN 125A | |
| 23 | 600.641 | 38 | SCREW M10x35 DIN 933 | |
| 24 | 600.322 | 4 | WASHER ø10.5 DIN 125A | |
| 25 | 600.079 | 34 | NUT M22 DIN 980 | |
| 26 | 610.525 | 6 | SCREW M8x60 DIN 931 | |
| 27 | 600.076 | 6 | NUT M8 DIN 980 | |
| 28 | 630.453 | 2 | SNAP RING I35 DIN 472 | |
| 29 | 610.833 | 16 | SNAP RING E50 DIN 471 | |
| 30 | 610.898 | 16 | RING SB 44 | |
| 31 | 600.968 | 8 | GREASE NIPPLE M6-45° | |
| 32 | 230.550 | 34 | PROTECTION | |
| 33 | 200.749 | 17 | CHAINE (L.196-7,72") | |
| 34 | 600.472 | 68 | NUT M6 DIN 980 | |
| 35 | 630.927 | 34 | "D" SHACKLE | |
| 36 | 600.029 | 21 | NUT M10 DIN 980 | |
| 37 | 250.010 | 9 | RH LOCK | |
| 38 | 250.011 | 8 | LH LOCK | |
| 39 | 600.010 | 51 | NUT M10 DIN 934 | |
| 40 | 600.024 | 17 | SPRING WASHER ø10.5 SIMILAR TO 127B | |
| 41 | 600.404 | 34 | SCREW M10x50 DIN 931 | |

TABLE PART NO 920.298



| TABLE PART NO 920.298 | | | | |
|-----------------------|---------|------|------------------------|------|
| ITEM | PART NO | Q.ty | DESCRIPTION | NOTE |
| 1 | 230.545 | 17 | RIM | |
| 2 | 230.508 | 17 | FLANGE | |
| 3 | 230.466 | 306 | TINE | |
| 4 | 230.548 | 102 | LOCK | |
| 5 | 600.322 | 306 | WASHER ø10.5 DIN 433 | |
| 6 | 600.006 | 306 | SCREW M10x25 DIN 933 | |
| 7 | 600.029 | 306 | NUT M10 DIN 980 | |
| 8 | 230.549 | 17 | WASHER ø80-56x3 | |
| 9 | 600.908 | 17 | SNAP RING E55 DIN 471 | |
| 10 | 630.003 | 204 | SCREW M6x20 DIN 933 | |
| 11 | 600.135 | 408 | WASHER ø6,6 UNI 6593 | |
| 12 | 600.472 | 204 | NUT M6 DIN 980 | |
| 13 | 230.547 | 17 | PIN ø35 L.275-10,83" | |
| 14 | 230.546 | 17 | PIN ø35 L.310-12,2" | |
| 15 | 230.542 | 17 | ARM | |
| 16 | 610.960 | 34 | DUST COVER | |
| 17 | 610.935 | 68 | BEARING 32007X | |
| 18 | 600.124 | 34 | GREASE NIPPLE M6 | |
| 19 | 600.288 | 34 | LOCK NUT M27x1,5 | |
| 20 | 600.291 | 34 | SPLIT PIN ø4x40 DIN 94 | |
| 21 | 600.290 | 34 | CAP | |
| 22 | 230.540 | 9 | RH ARM, ASSY | |
| 23 | 230.541 | 8 | LH ARM, ASSY | |
| 24 | 230.543 | 9 | RH FINGER WHEEL, ASSY | |
| 25 | 230.544 | 8 | LH FINGER WHEEL, ASSY | |

TABLE PART NO 920.299/a



| TABLE PART NO 920.299/a | | | | |
|-------------------------|---------|------|--------------------------|------|
| ITEM | PART NO | Q.ty | DESCRIPTION | NOTE |
| 1 | 230.609 | 2 | RATCHET LINK | |
| 2 | 230.368 | 4 | PIN ø25 | |
| 3 | 600.038 | 4 | SPLIT PIN ø6x35 DIN 94 | |
| 4 | 230.610 | 2 | RH TIEROD | |
| 5 | 230.611 | 2 | LH TIEROD | |
| 6 | 220.182 | 2 | TIE ROD | |
| 7 | 220.213 | 2 | LEVER | |
| 8 | 610.811 | 2 | HANDLE | |
| 9 | 600.124 | 4 | GREASE NIPPLE M6 | |
| 10 | 610.507 | 4 | CLAMP ø25-40x9 | |
| 11 | 220.192 | 4 | RUBBER PROTECTION | |
| 12 | 600.472 | 2 | NUT M6 DIN 980 | |
| 13 | 610.718 | 6 | NUT M4 DIN 982 | |
| 14 | 220.205 | 4 | SUPPORT | |
| 15 | 220.070 | 2 | HOOK | |
| 16 | 220.215 | 6 | SPACER | |
| 17 | 600.202 | 2 | SCREW M6x25 DIN 933 | |
| 18 | 610.717 | 6 | SCREW M4x25 DIN 933 | |
| 19 | 600.702 | 2 | SCREW M8x25 DIN 933 | |
| 20 | 600.076 | 4 | NUT M8 DIN 980 | |
| 21 | 220.073 | 2 | SPRING | |
| 22 | 220.201 | 2 | LOCKING BUSH RH | |
| 23 | 220.202 | 2 | LOCKING BUSH LH | |
| 24 | 220.413 | 1 | SPADE | |
| 25 | 220.414 | 1 | SMV EMBLEME WITH ACCESS. | |
| 26 | 250.009 | 2 | SUPPORT | |
| 27 | 630.929 | 2 | CHAINE | |
| 28 | 600.757 | 2 | SCREW M8x30 DIN 933 | |
| 29 | 250.026 | 2 | SUPPORT | |

TABLE PART NO 920.300/a

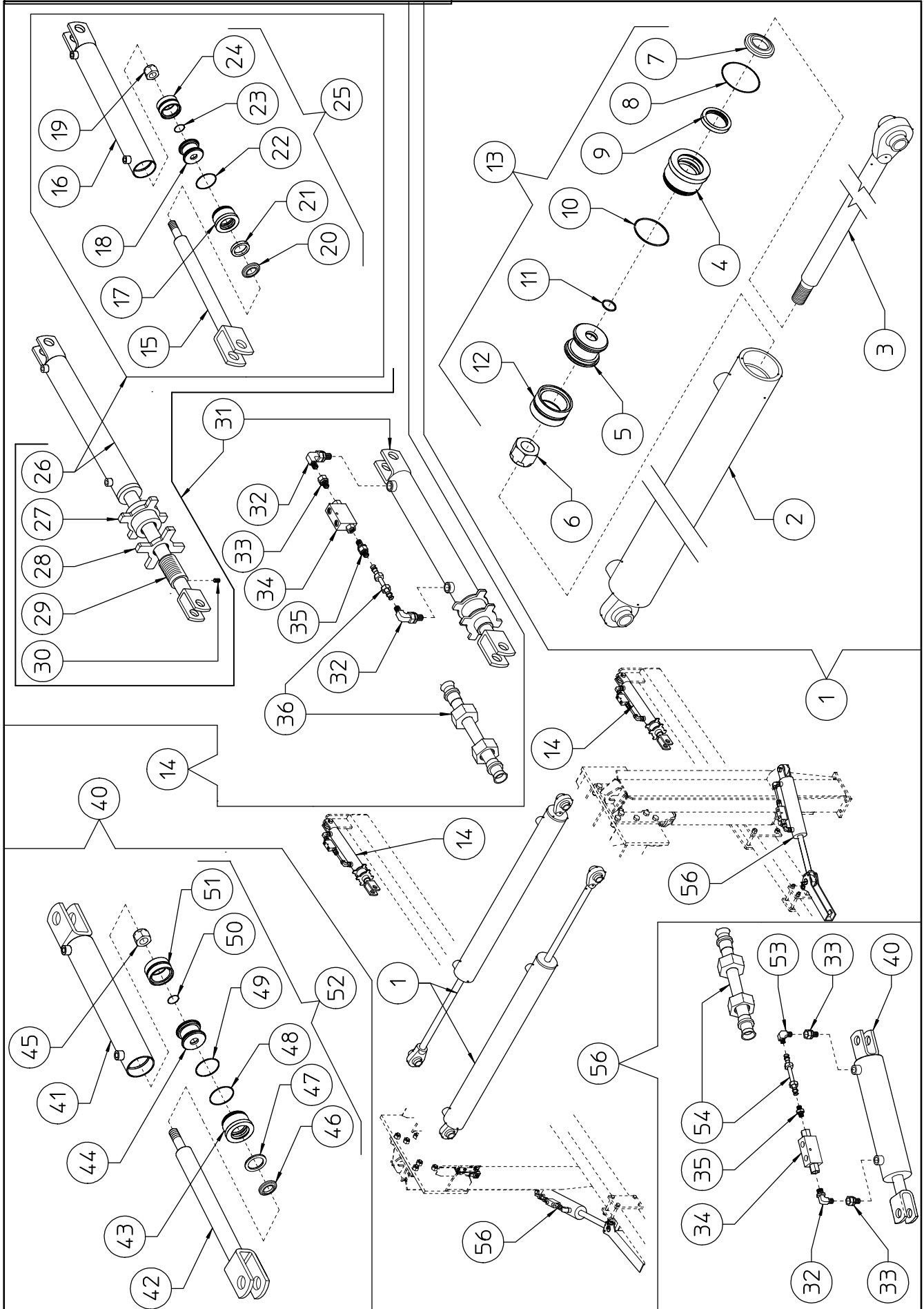


TABLE PART NO 920.300/a

| ITEM | PART NO | Q.ty | DESCRIPTION | NOTE |
|--------------|---------|------|---|--------------------|
| 1 | 230.559 | 2 | CYLINDER ø90-40x1225 | |
| 2 | 230.631 | 2 | CYLINDER BARREL ø90 | (one for cylinder) |
| 3 | 230.632 | 2 | ROD ø40 | (one for cylinder) |
| 4 | 230.634 | 2 | CYLINDER HEAD ø90-40 | (one for cylinder) |
| 5 | 230.635 | 2 | PISTON ø90 | (one for cylinder) |
| 6 | 610.005 | 2 | NUT M27x2 DIN 982 | (one for cylinder) |
| 7 | 610.600 | 2 | GASKET WRM 157188 or equivalent (rod ø40) | (one for cylinder) |
| 8 | 630.681 | 2 | OR GASKET ø82,22x2,62 | (one for cylinder) |
| 9 | 610.599 | 2 | GASKET 196157 or equivalent (rod ø40) | (one for cylinder) |
| 10 | 630.680 | 2 | GASKET GDS 620 or OR GASKET ø79,77x5,34 | (one for cylinder) |
| 11 | 610.009 | 2 | OR GASKET ø26,58x3,53 | (one for cylinder) |
| 12 | 630.492 | 2 | GASKET DBM 354275 or equivalent (ø90) | (one for cylinder) |
| 13 | 630.491 | 2 | SET OF GASKET | (one for cylinder) |
| 14 | 230.794 | 2 | CYLINDER ø50-30 WITH BUSHING AND VALVE | |
| 15 | 210.221 | 2 | ROD ø30 | (one for cylinder) |
| 16 | 210.222 | 2 | CYLINDER BARREL ø50 | (one for cylinder) |
| 17 | 220.524 | 2 | CYLINDER HEAD ø50-30 | (one for cylinder) |
| 18 | 200.304 | 2 | PISTON ø50 | (one for cylinder) |
| 19 | 600.642 | 2 | NUT M18x1,5 DIN 982 | (one for cylinder) |
| 20 | 600.645 | 2 | GASKET WRM 118149 or equivalent (rod ø30) | (one for cylinder) |
| 21 | 610.031 | 2 | GASKET B157118/1 or equivalent (rod ø30) | (one for cylinder) |
| 22 | 610.090 | 2 | OR GASKET ø42,86x3,53 | (one for cylinder) |
| 23 | 600.646 | 2 | OR GASKET ø20,29x2,62 | (one for cylinder) |
| 24 | 600.648 | 2 | GASKET DBM 196133 or equivalent (ø50) | (one for cylinder) |
| 25 | 620.022 | 2 | SET OF GASKET ø50-30 | (one for cylinder) |
| 26 | 210.816 | 2 | CYLINDER ø50-30 WITHOUT BUSHING | |
| 27 | 230.583 | 2 | BUSH M40x1,5 | (one for cylinder) |
| 28 | 230.582 | 2 | LOCK M40x1,5 | (one for cylinder) |
| 29 | 230.581 | 2 | SCREW M40x1,5 | (one for cylinder) |
| 30 | 600.583 | 2 | SCREW M6x10 DIN 914 | (one for cylinder) |
| 31 | 230.584 | 2 | CYLINDER ø50-30 WITH BUSHING | |
| 32 | 630.639 | 6 | FITTING 90° 3/8" - 3/4" 16 UNF JIC 37° | (2-1 for cylinder) |
| 33 | 630.633 | 6 | FITTING 3/8" - 3/4" 16 UNF JIC 37° | (1-2 for cylinder) |
| 34 | 600.799 | 4 | LOCK VALVE 3/8" | (one for cylinder) |
| 35 | 630.638 | 4 | FITTING 3/8" - 3/4" 16 UNF JIC 37° | (one for cylinder) |
| 36 | 230.795 | 2 | TUBE ø12 WITH NUT AND BUSH | (one for cylinder) |
| 37 - DELETED | | | | |
| 38 - DELETED | | | | |
| 39 - DELETED | | | | |
| 40 | 210.570 | 2 | CYLINDER ø70-30x210 | |
| 41 | 210.341 | 2 | CYLINDER BARREL ø70 | (one for cylinder) |
| 42 | 210.568 | 2 | ROD ø30 | (one for cylinder) |
| 43 | 210.569 | 2 | CYLINDER HEAD ø70-30 | (one for cylinder) |
| 44 | 210.227 | 2 | PISTON ø70 | (one for cylinder) |
| 45 | 600.879 | 2 | NUT M24x2 DIN 982 | (one for cylinder) |
| 46 | 600.645 | 2 | GASKET WRM 118149 or equivalent (rod ø30) | (one for cylinder) |
| 47 | 610.031 | 2 | GASKET B157118/1 or equivalent (rod ø30) | (one for cylinder) |
| 48 | 620.668 | 2 | OR GASKET ø69,52x2,62 | (one for cylinder) |
| 49 | 610.923 | 2 | OR GASKET ø63,5x3,53+BK | (one for cylinder) |
| 50 | 620.669 | 2 | OR GASKET ø18,72x2,62 | (one for cylinder) |
| 51 | 600.984 | 2 | GASKET DBM 275196 or equivalent (ø70) | (one for cylinder) |
| 52 | 610.340 | 2 | SET OF GASKET ø70-30 | (one for cylinder) |
| 53 | 630.634 | 2 | FITTING 90° 3/4" 16 UNF JIC 37° | (two for cylinder) |
| 54 | 230.792 | 2 | TUBE ø12 WITH NUT AND BUSH | (one for cylinder) |
| 55 - DELETED | | | | |
| 56 | 230.793 | 2 | CYLINDER ø70-30 WITH VALVE | |

TABLE PART NO 920.332

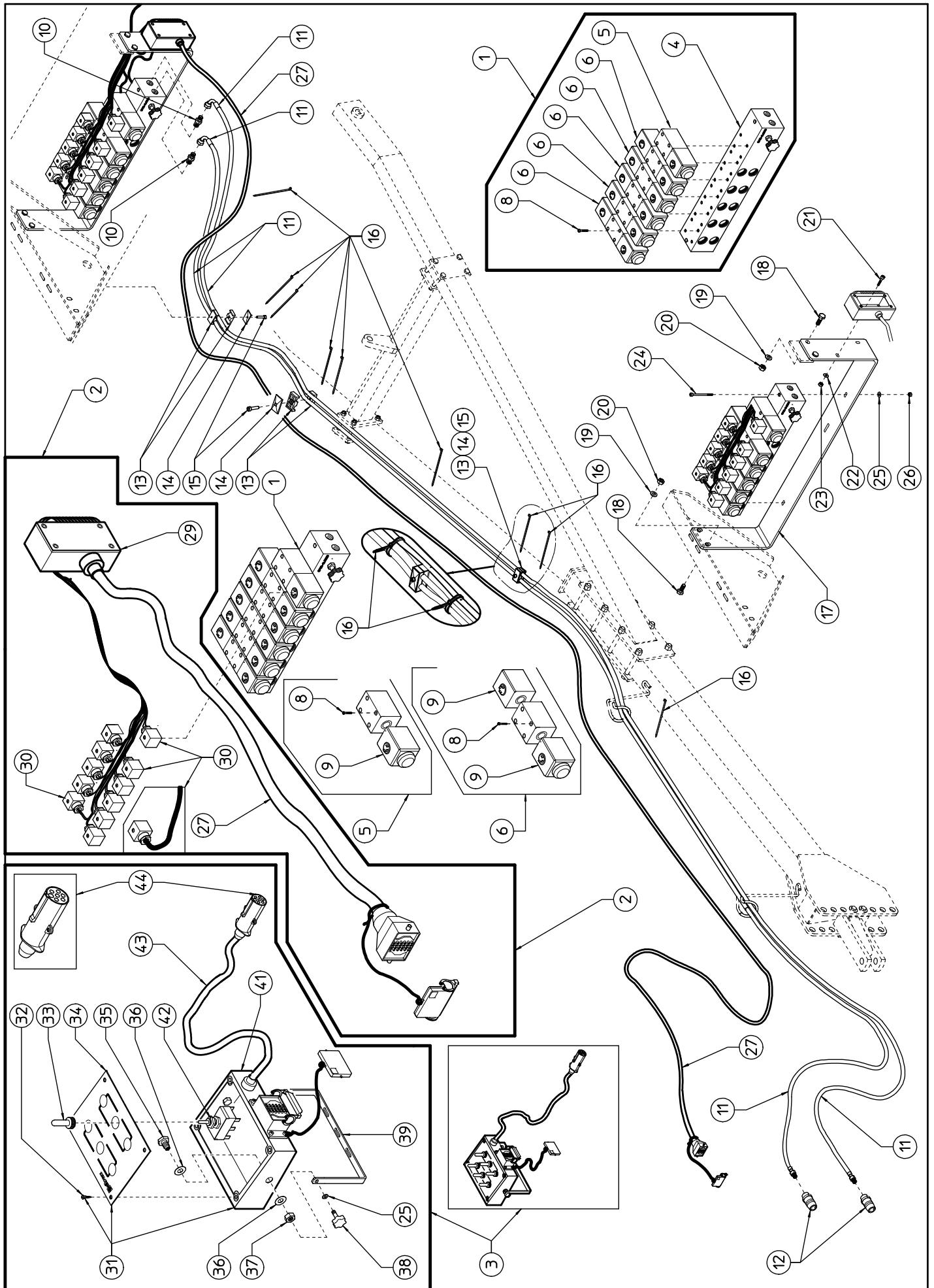
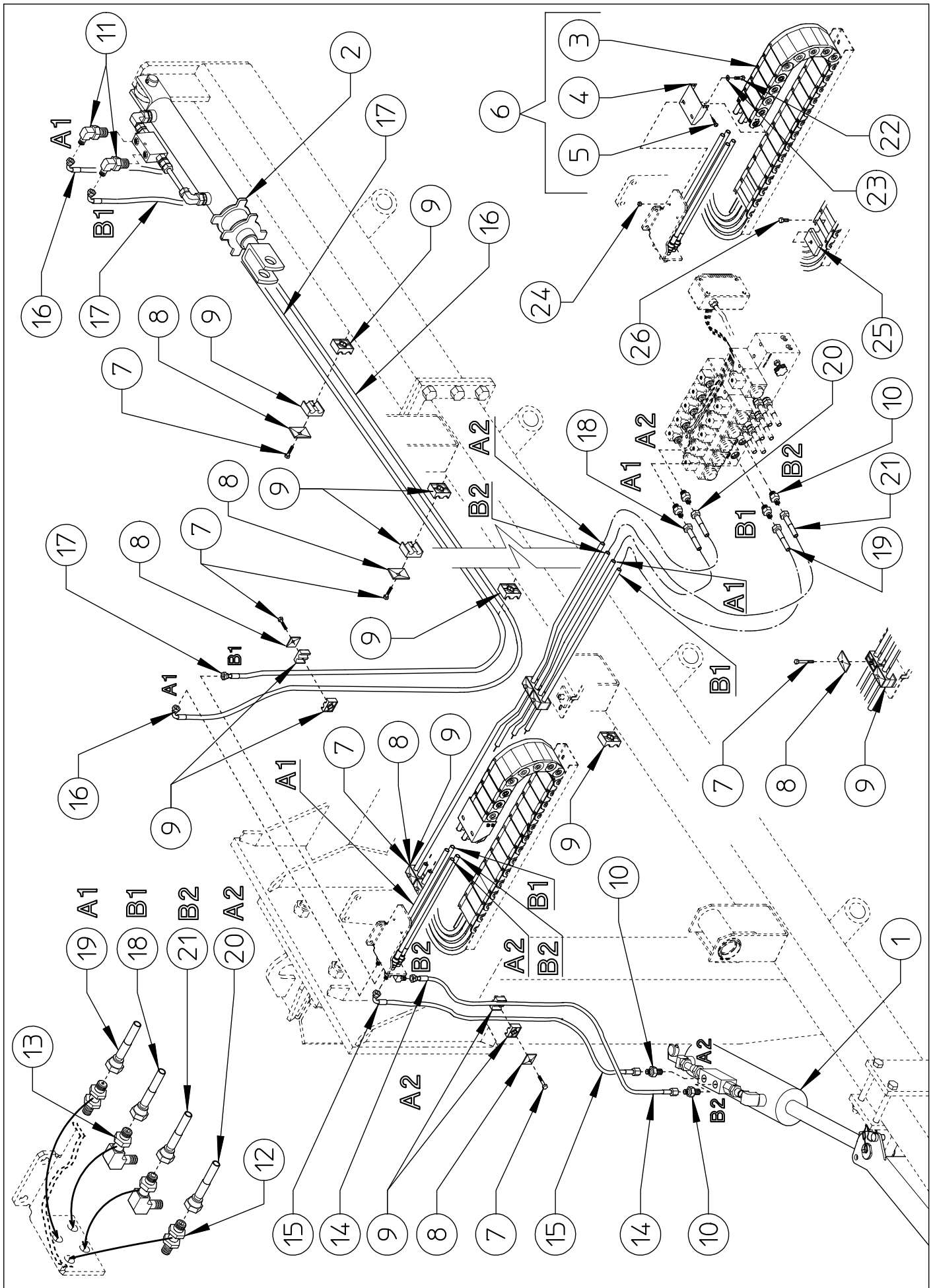


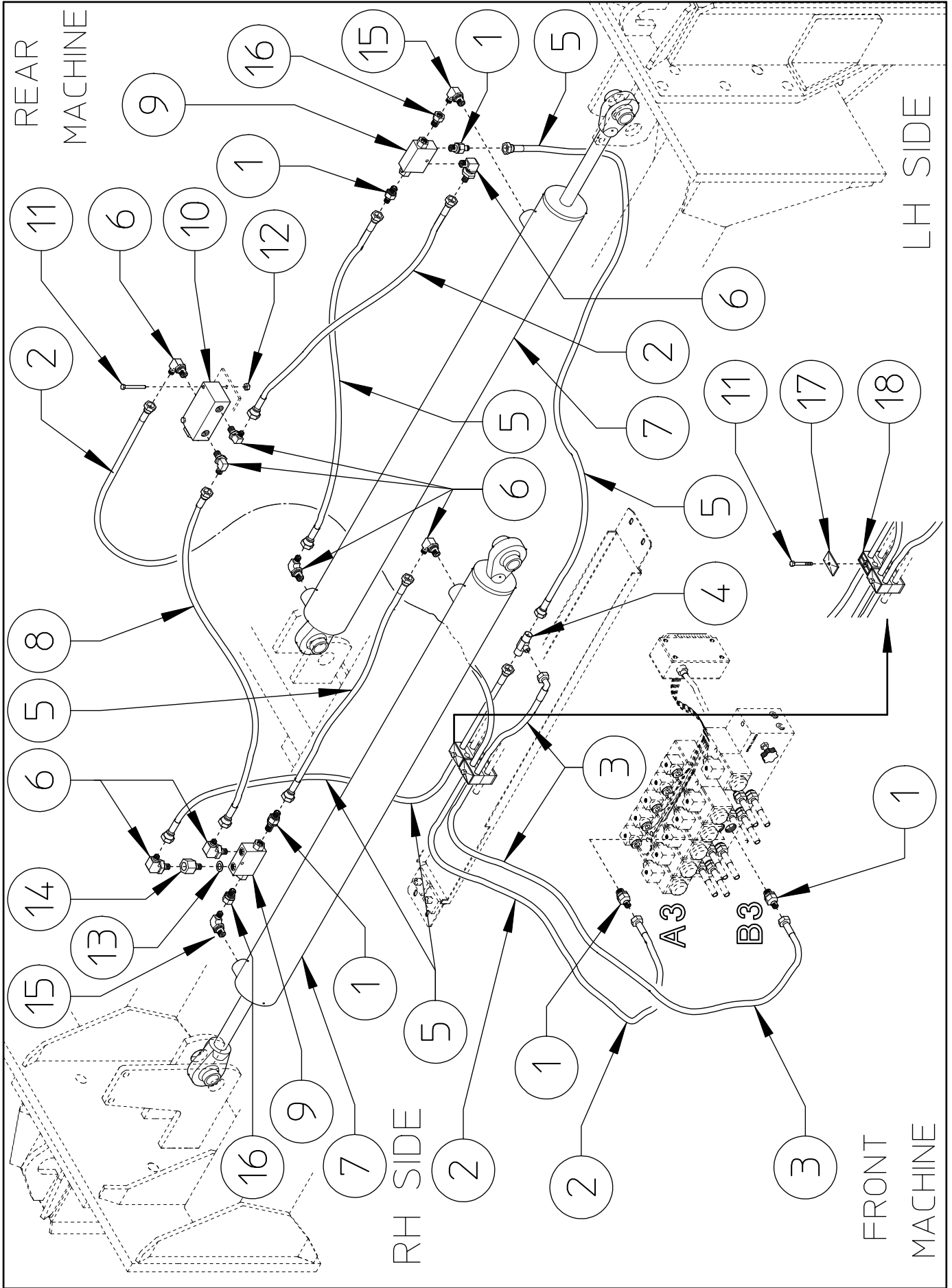
TABLE PART NO 920.302

| TABLE PART NO 920.332 | | | | |
|-----------------------|---------|------|--|------|
| ITEM | PART NO | Q.ty | DESCRIPTION | NOTE |
| 1 | 230.980 | 1 | VALVE ASSY | |
| 2 | 630.592 | 1 | HARNESS | |
| 3 | 630.593 | 1 | CONTROL BOARD | |
| 4 | 630.591 | 1 | BASE WITH 6 CONNECTIONS | |
| 5 | 630.506 | 1 | SOLENOID VALVE (12V DC) | |
| 6 | 630.505 | 5 | SOLENOID VALVE (12V DC) | |
| 7 | | | DELETED | |
| 8 | 630.511 | 24 | SCREW M5x30 DIN 912 | |
| 9 | 630.510 | 11 | COIL | |
| 10 | 630.674 | 2 | FITTING 1/2" MALE 3/4" JIC 37° MALE | |
| 11 | 630.654 | 2 | HOSE 3/8" L.7500-295,30" - 1/2 NPT MALE - 3/4 JIC 37° FEMALE 90° | |
| 12 | 620.329 | 2 | RAPID COUPLING 1/2" NPT | |
| 13 | 610.162 | 6 | COLLAR ø18 | |
| 14 | 610.164 | 3 | CLAMP | |
| 15 | 610.165 | 3 | SCREW M8x35 DIN 933 | |
| 16 | 620.039 | 9 | CLAMP 4,5x300 | |
| 17 | 230.563 | 1 | SUPPORT | |
| 18 | 600.148 | 4 | SCREW M10x30 DIN 933 | |
| 19 | 600.322 | 4 | WASHER ø10,5 DIN 125A | |
| 20 | 600.029 | 4 | NUT M10 DIN 980 | |
| 21 | 610.424 | 2 | SCREW M6x20 DIN 912 | |
| 22 | 600.135 | 2 | WASHER ø6,6/18 UNI 6593 | |
| 23 | 600.472 | 2 | NUT M6 DIN 980 | |
| 24 | 630.484 | 2 | SCREW M5x80 DIN 912 | |
| 25 | 630.490 | 4 | WASHER ø5,3/15 UNI 6593 | |
| 26 | 620.367 | 2 | NUT M5 DIN 980 | |
| 27 | 630.682 | 1 | CABLE L.10000 - 33' WITH ELECTRICAL PLUG | |
| 28 | | | DELETED | |
| 29 | 630.525 | 1 | EMPTY CABLE SOLENOID VALVE BOX | |
| 30 | 630.512 | 11 | CONNECTOR WITH CABLE | |
| 31 | 630.684 | 1 | EMPTY CONTROL BOX | |
| 32 | 630.520 | 4 | SCREW | |
| 33 | 630.517 | 6 | PROTECTION | |
| 34 | 630.519 | 1 | PANEL | |
| 35 | 230.615 | 2 | PIN M12/ø9/M5 | |
| 36 | 600.089 | 4 | WASHER ø13 DIN 125A | |
| 37 | 600.132 | 2 | NUT M12 DIN 936 | |
| 38 | 630.486 | 2 | HANDLE ø23-M5x20 | |
| 39 | 230.616 | 1 | SUPPORT | |
| 40 | | | DELETED | |
| 41 | 630.686 | 1 | BOX LESS COVER | |
| 42 | 630.518 | 6 | SWITCH | |
| 43 | 630.687 | 1 | CABLE L.2000 - 78,75" WITH ELECTRICAL PLUG 44 | |
| 44 | 630.688 | 1 | ELECTRICAL PLUG | |



| TABLE PART NO 920.302 | | | | |
|-----------------------|---------|------|---|------|
| ITEM | PART NO | Q.ty | DESCRIPTION | NOTE |
| 1 | 230.793 | 1 | CYLINDER ø70-30 WITH ACCESORIES AND VALVE | |
| 2 | 230.794 | 1 | CYLINDER ø50-30 WITH ACCESORIES AND VALVE | |
| 3 | 230.594 | 1 | CHAINE SR 305 | |
| 4 | 230.597 | 2 | SUPPORT | |
| 5 | 630.454 | 8 | SCREW ø3,9 (7P) DIN 7982B | |
| 6 | 230.596 | 1 | CHAINE, ASSY | |
| 7 | 610.803 | 9 | SCREW M6x35 DIN 931 | |
| 8 | 610.802 | 9 | CLAMP | |
| 9 | 630.078 | 19 | DOUBLE COLLAR ø12 | |
| 10 | 630.675 | 6 | FITTING 3/8" GAS-1/2 JIC 37° | |
| 11 | 630.678 | 2 | FITTING 90° 3/8" GAS -1/2" JIC 37° | |
| 12 | 630.676 | 2 | FITTING 1/2 JIC 37° | |
| 13 | 630.677 | 2 | FITTING 90° 1/2 JIC 37° | |
| 14 | 630.655 | 1 | HOSE 1/4" L.1140 - 44,88" FEMALE 1/2 JIC 37° | |
| 15 | 630.656 | 1 | HOSE 1/4" L.1160 - 45,67" FEMALE 1/2 JIC 37°-FEMALE 90° 1/2 JIC 37° | |
| 16 | 630.665 | 1 | HOSE 1/4" L.4320 - 170" FEMALE 90° 1/2 JIC 37° | |
| 17 | 630.666 | 1 | HOSE 1/4" L.4220-166,14" FEMALE 1/2 JIC 37°-FEMALE 90° 1/2 JIC 37° | |
| 18 | 630.667 | 1 | HOSE 1/4" L.3080 - 121,26" FEMALE 1/2 JIC 37° | |
| 19 | 630.668 | 1 | HOSE 1/4" L.3060 - 120,47" FEMALE 1/2 JIC 37° | |
| 20 | 630.659 | 1 | HOSE 1/4" L.3190 - 125,59" FEMALE 1/2 JIC 37° | |
| 21 | 630.660 | 1 | HOSE 1/4" L.3170 - 124,8 " FEMALE 1/2 JIC 37° | |
| 22 | 630.003 | 4 | SCREW M6x20 DIN 933 | |
| 23 | 600.135 | 4 | WASHER ø6,6-18 UNI 6593 | |
| 24 | 600.472 | 4 | NUT M6 DIN 980 | |
| 25 | 230.617 | 1 | LOCK | |
| 26 | 600.668 | 1 | SCREW M6x12 DIN 933 | |

TABLE PART NO 920.331



| TABLE PART NO 920.331 | | | | |
|-----------------------|---------|------|--|------|
| ITEM | PART NO | Q.ty | DESCRIPTION | NOTE |
| 1 | 630.675 | 5 | FITTING 3/8" GAS-1/2 JIC 37° | |
| 2 | 630.669 | 2 | HOSE 1/4" L.900 - 35,43" FEMALE 1/2 JIC 37° | |
| 3 | 630.670 | 1 | HOSE 1/4" L.700 - 27,56" FEMALE 1/2 JIC 37° - FEMALE 90° 1/2 JIC 37° | |
| 4 | 630.679 | 1 | "T" FITTING 1/2 JIC 37° MALE | |
| 5 | 630.671 | 4 | HOSE 1/4" L.1100 - 43,31" FEMALE 1/2 JIC 37° | |
| 6 | 630.678 | 8 | FITTING 90° 3/8" GAS-1/2 JIC 37° | |
| 7 | 230.559 | 2 | CILYNDER ø90-40x1225 | |
| 8 | 630.912 | 1 | HOSE 1/4" L.1040 - 40,94" FEMALE 1/2 JIC 37° | |
| 9 | 600.799 | 2 | LOCK VALVE 3/8" | |
| 10 | 600.974 | 1 | FLOW DIVIDER 3/8" | |
| 11 | 600.970 | 4 | SCREW M6x60 DIN 931 | |
| 12 | 600.472 | 2 | NUT M6 DIN 980 | |
| 13 | 620.452 | 1 | WASHER 3/8" | |
| 14 | 630.924 | 1 | FITTING MALE 3/8" FEMALE 3/8" | |
| 15 | 630.639 | 2 | FITTING 90° 3/8" GAS-3/4-16 UNF | |
| 16 | 630.633 | 2 | FITTING 3/8" GAS-3/4-16 UNF | |
| 17 | 610.802 | 2 | CLAMP | |
| 18 | 630.078 | 8 | DOUBLE COLLAR ø12 | |

TABLE PART NO 920.304

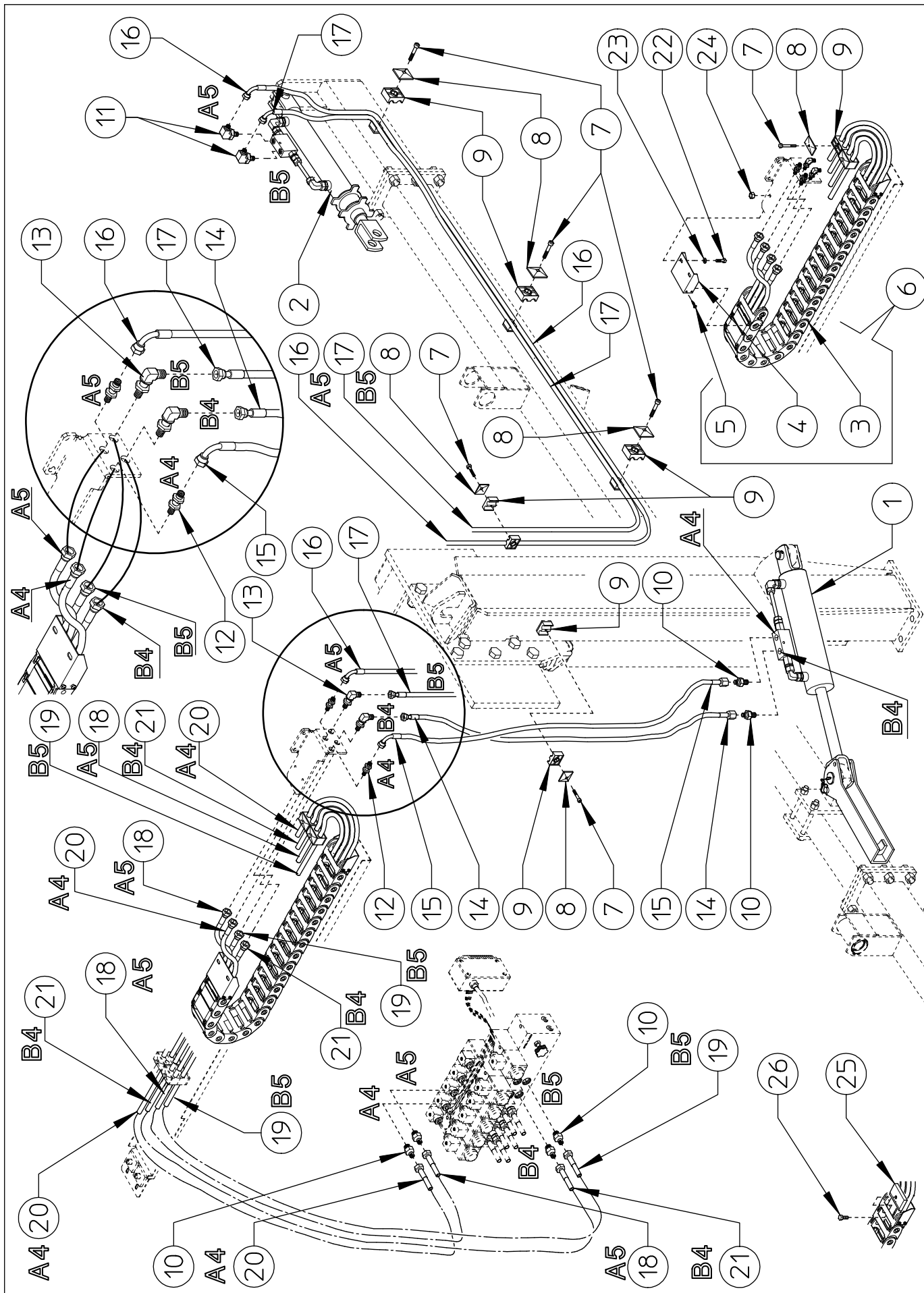
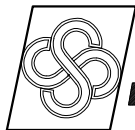


TABLE PART NO 920.304

| ITEM | PART NO | Q.ty | DESCRIPTION | NOTE |
|------|---------|------|---|------|
| 1 | 230.793 | 1 | CYLINDER ø70-30 WITH ACCESORIES AND VALVE | |
| 2 | 230.794 | 1 | CYLINDER ø50-30 WITH ACCESORIES AND VALVE | |
| 3 | 230.594 | 1 | CHAINE SR 305 | |
| 4 | 230.597 | 2 | SUPPORT | |
| 5 | 630.454 | 8 | SCREW ø3,9 (7P) DIN 7982B | |
| 6 | 230.596 | 1 | CHAINE, ASSY | |
| 7 | 610.803 | 7 | SCREW M6x35 DIN 931 | |
| 8 | 610.802 | 7 | CLAMP | |
| 9 | 630.078 | 14 | DOUBLE COLLAR ø12 | |
| 10 | 630.675 | 6 | FITTING 3/8" GAS-1/2 JIC 37° | |
| 11 | 630.678 | 2 | FITTING 90° 3/8" GAS -1/2" JIC 37° | |
| 12 | 630.676 | 2 | FITTING 1/2 JIC 37° | |
| 13 | 630.677 | 2 | FITTING 90° 1/2 JIC 37° | |
| 14 | 630.655 | 1 | HOSE 1/4" L.1140 - 44,88" FEMALE 1/2 JIC 37° | |
| 15 | 630.656 | 1 | HOSE 1/4" L.1160 - 45,67" FEMALE 1/2 JIC 37°-FEMALE 90° 1/2 JIC 37° | |
| 16 | 630.661 | 1 | HOSE 1/4" L.3600 - 141,7" FEMALE 90° 1/2 JIC 37° | |
| 17 | 630.662 | 1 | HOSE 1/4" L.3520-138,58" FEMALE 1/2 JIC 37°-FEMALE 90° 1/2 JIC 37° | |
| 18 | 630.663 | 1 | HOSE 1/4" L.3810 - 150" FEMALE 1/2 JIC 37° | |
| 19 | 630.664 | 1 | HOSE 1/4" L.3790 - 149,22" FEMALE 1/2 JIC 37° | |
| 20 | 630.657 | 1 | HOSE 1/4" L.3940 - 155,12" FEMALE 1/2 JIC 37° | |
| 21 | 630.658 | 1 | HOSE 1/4" L.3910 - 153,94 " FEMALE 1/2 JIC 37° | |
| 22 | 630.003 | 4 | SCREW M6x20 DIN 933 | |
| 23 | 600.135 | 4 | WASHER ø6,6-18 UNI 6593 | |
| 24 | 600.472 | 4 | NUT M6 DIN 980 | |
| 25 | 230.617 | 1 | LOCK | |
| 26 | 600.668 | 1 | SCREW M6x12 DIN 933 | |



AGRICULTURAL MACHINERY
sitrex® SpA .

Zona Industriale-Viale Grecia, 8
06018 TRESTINA-(Perugia)-ITALY
Tel. +39.075.8540021-Telefax +39.075.8540523
e-mail: sitrex@sitrex.it www.sitrex.com

