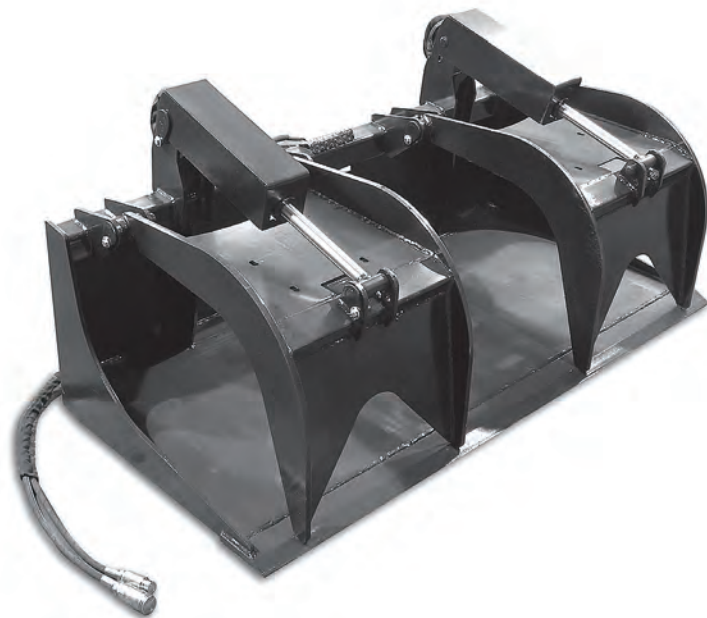
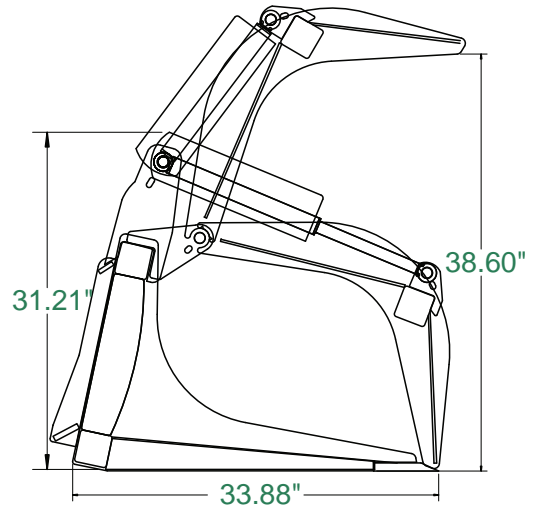
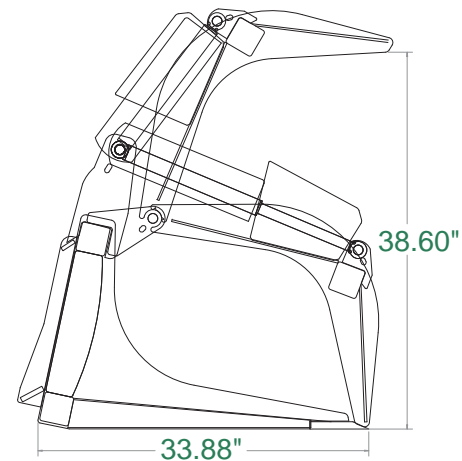




Light Duty Grapple Bucket Specs



Standard / Heavy Duty Grapple Bucket Specs



OPENING: 3 feet 2.60 inches
DEPTH: 2 feet 10 inches

Our Grapple Buckets are very versatile attachments. They're all great choices for anyone who owns a skid steer. Available in a wide range of sizes, they easily pick up logs, rocks, left over building supplies or any other type of debris.

All of our grapple buckets have 2" bore by 10" stroke cylinders, with all hydraulic lines routed inside the tubing to prevent tears. They are also built with top quality steel, oversized points and bushings, with grease fittings at every pivot point. Every unit exceeds the lifting capacity of the skid steer machine it is attached to.

Optional weld on teeth are available
Optional bolt on cylinder rod cover kits are available

- 2" bore by 10" stroke cylinder, rated at 4,000 PSI
- Grease fittings at every pivot point
- Optional weld on teeth and bolt on cylinder rod cover kit
- Light Duty sizes: 60", 66", 72"
- Standard Duty sizes: 63", 72"
- Heavy Duty sizes: 63", 66", 72", 78", 81"

X-treme Grapple Bucket



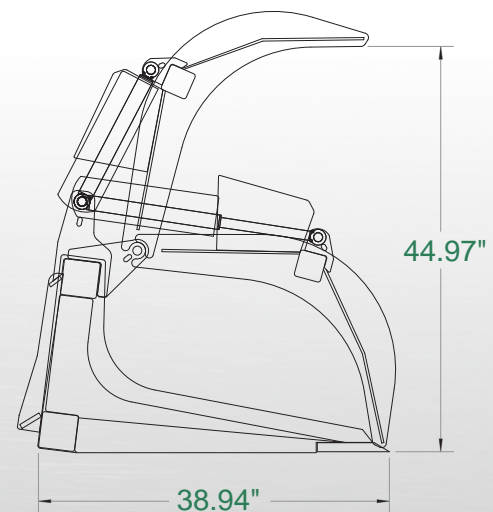
- 2" bore by 10" stroke cylinders that operate independently, rated at 4,000 PSI
- 5/8" top tines
- Hydraulic lines routed inside the tubing to prevent tears
- Grease fittings at every pivot point
- Bucket has a 1" x 8" cutting edge
- Optional weld on teeth
- Available sizes: 66", 72", 78", 84", 96"

The X-treme Grapple Bucket is ideal for picking up logs, rocks, left over building supplies or any other type of debris. It can handle more material and is intended for larger machines than our Heavy Duty Grapple Bucket.

One feature that separates our X-treme Grapple Bucket from our competitor's comparable attachment is the enclosed hydraulic cylinder shaft. Most grapple buckets only have the actual cylinder enclosed and not the shaft. We protect both! Anyone that has had debris fall on the cylinder shaft knows what damage this can cause.

It features 2" bore by 10" stroke cylinders that operate independently to adjust for uneven loads. The hydraulic lines are routed inside the tubing to prevent tears. It is also built with top quality steel, oversized points and bushings, with grease fittings at every pivot point. The X-treme Grapple Bucket has a 1" x 8" cutting edge. Every unit exceeds the lifting capacity of the skid steer machine it is attached to.

X-treme Grapple Bucket Specs



OPENING: 3 feet 9 inches
DEPTH: 3 feet 3 inches