

KASCO
MANUFACTURING CO., INC.

Herd

SURE-FEED BROADCASTER

MODELS 1200c and 1200S

INSTRUCTIONS FOR ASSEMBLY, MOUNTING, SEEDING,
OPERATION AND MAINTENANCE.



170 West 600 North

Shelbyville, Indiana 46176

800.458.9129

www.kascomfg.com

THANK YOU!

You have invested in the best implement of its type on the market today.

The care you give your Kasco equipment will greatly determine your satisfaction with its performance and its service life. We urge a careful study of this manual to provide you with a thorough understanding of your new implement before operating, as well as suggestions for operation and maintenance.

If your manual should become lost or destroyed, Kasco will be glad to provide you with a new copy. Please call us at 1-800-458-9129, or visit our website for an downloadable copy.

Because Kasco maintains an ongoing program of product improvement, we reserve the right to make improvements in design or changes in specifications without incurring any obligation to install them on units previously sold.

RETAIL CUSTOMER'S RESPONSIBILITY

It is the Retail Customer and/or Operator's responsibility to read the Operator's Manual, to operate, maintain and store the product in accordance with all instructions and safety procedures. Failure of the operator to read the Operator's Manual is a misuse of this equipment.

It is the Retail Customer and/or Operator's responsibility to inspect the product and to have any part(s) repaired or replaced when continued operation would cause damage or excessive wear to the other parts or cause a safety hazard.

It is the Retail Customer and/or Operator's responsibility to contact Kasco immediately for any warranty claims. Claims for warranty consideration must be made within seven (7) days of failure.

It is the Retail Customer and/or Operator's responsibility for any cost incurred by the dealer for traveling to or hauling of the product for the purpose of performing a warranty obligation or inspection.



LIMITED WARRANTY for HERD SEEDERS

Kasco Mfg. Co., Inc. warrants all products marketed under the "Herd Seeder" name against defects in material and workmanship for ninety (90) days after date of retail purchase, except those components not manufactured by Kasco, as those parts are warranted only to the extent of the original manufacturer's warranty.

Should any part manufactured by Kasco prove defective within ninety (90) days from date of retail purchase, supposed defective part shall be returned freight paid to Kasco for consideration. If found to be defective by Kasco, credit will be issued through the proper channels, distributor and/or dealer.

Kasco will not assume liability for any labor costs, loss or damage caused by a defective part, consequential damages, or operational delays.

Altering or misuse of a part will void this warranty. Repairing a part without the expressed permission of Kasco voids this warranty.

Kasco neither assumes nor authorizes any person to assume for Kasco any other obligations or liability in connection with the sale of its equipment

Kasco reserves the right to make improvements in design or changes in specifications at any time without incurring any obligations to owners of equipment previously sold.

IMPORTANT SAFETY PRECAUTIONS

This symbol is used to call attention to safety precautions that should be followed by the operator to avoid accidents. When you see this symbol, carefully read the message that follows and heed its advice. Failure to comply with safety precautions could result in serious bodily injury.



Safety of the operator is one of the main concerns in designing and developing a piece of equipment. This product was designed by Kasco with as many safety features as possible. However, every year many accidents occur which could have been avoided by a few seconds of thought and a more careful approach to handling equipment. You, the operator, can avoid many accidents by observing the following precautions in this section. To avoid personal injury, study the following precautions and insist those working with you, and for you, follow them.

1. Read the Operator's Manual. Failure to read the Operator's Manual is considered a misuse of this equipment.
2. Become familiar with all the machine's controls and all the caution, warning, and danger decals affixed to the machine before attempting to start or operate.
3. Before starting or operating the machine, make a walk around inspection and check for obvious defects such as loose mounting bolts and damaged components. Correct any deficiency before starting.
4. Do not allow children to operate the implement. Do not allow adults to operate it without proper instruction.
5. Do not carry passengers.
6. Keep the area of operation clear of all persons, particularly small children and pets. The operator should cease operation whenever anyone comes within the area.
7. Lower the implement to the ground, stop tractor engine, and apply parking brake before leaving the vehicle.
8. Keep hands and feet away from implement.
9. Wear personal protective equipment such as, but not limited to, protection for eyes, ears, feet, hands, and head when operating or repairing the equipment. Do not wear loose clothing or jewelry that may catch on equipment's moving parts.
10. When performing adjustments or maintenance on the implement, first lower it to the ground or block it securely at a workable height.
11. Never stand between the tractor and implement when the tractor is being backed to the hitch.
12. Reduce speed when transporting implement to avoid bouncing and momentary loss of steering.
13. Use tractor flashing warning lights, day or night, when transporting implement on road or highways unless prohibited by law.
14. Use a rollover protective structure and seat belt equipped tractor for all implement operations.



***ALWAYS HEED ALL CAUTION
AND DANGER WARNINGS.***

INTRODUCTION AND DESCRIPTION

Introduction:

We are pleased to have you as a Kasco customer. We have engineered your broadcast seeder/spreader to provide our customers with the best performance with the least maintenance and down-time possible. Please read this manual completely and understand the operation of the seeder before using. Observe and obey all safety precautions noted. If you need any information, please contact us at 1-800-458-9129.

PREPARATION FOR USE



WARNING: To avoid serious injury or death, never stand between tractor and seeder while tractor is being backed to hitch.



WARNING: To avoid serious injury or death, additional tractor front ballast may be needed for stable operation and transport of the drill/seeder. See tractor operator's manual for recommended weights.

- 1) Carefully and thoroughly read this owners manual.
- 2) The gearbox is shipped from the factory with one pint of 90 weight gear lubricant. Before using the broadcaster, check for the proper level. Remove the fill plug on the gearbox. The oil level is sufficient if the oil is at or just above the plug hole. If the level is low, fill the gearbox with 90 weight gear lubricant to plug hole level.
- 3) Cut the two wires holding the power take off shaft to the broadcaster for shipping. Remove the tape from the gearbox shaft and clean any paint on shaft. Place the 1" hole end of the power take off shaft over the gearbox shaft and insert the 5/16" x 2" spring pin provided. As an extra precaution, a wire can be run through the spring pin and around the hub of the power take off shaft to secure the spring pin.
- 4) **CAUTION** Ensure that the PTO shaft is not too long before raising the seeder with the 3-point hitch of tractor. If it is too long, this will cause damage to the gearbox. If the PTO shaft is too long, you will need to cut equal amounts off both ends of shaft before raising the seeder on the 3-point hitch and attaching upper center link arm to the seeder
- 5) To Assemble handle (FIG 1): Cut wires located at top and bottom, holding handle against broadcaster in shipment. Remove nut on eye bolt. Loosen the 5/16" x 1" bolt on lower handle bracket. Move handle away from broadcaster and retighten 5/16" x 1" bolt. Remove 5/16" x 1" bolt in angle. Using this bolt, bolt upper handle bracket to angle. Tighten all bolts tight, ensuring that are setting at right angle to the broadcaster. Replace spring tightener for good tension. This spring works with the handle and will hold the opening gate in either open or closed position.
- 6) Make sure that handle and opening plate operate freely.
- 7) The broadcaster is now ready to mount on tractor with three-point hitch.



FIG 1

INSTRUCTIONS FOR MOUNTING ON TRACTOR 3-POINT HITCH

- 1) Lift arms should be set for Category 1, or 26-7/8" spacing. Sway bars, blocks, or chains must be used to keep broadcaster from swinging sideways.
- 2) Remove or move drawbar to side position so as not to interfere with power take off shaft.
- 3) Install on two lower arms first, then attach power take off shaft, then hook up center arm.
- 4) **CAUTION:** When raising the broadcaster for the first time, make sure the power take off shaft does not bottom out, or that the power take off shaft is longer than the distance between tractor and seeder. If it does bottom out, it will cause the gearbox to break and will damage the fan. If power take off shaft is too long, cut off equal amounts on both the male and female ends of shaft.
- 5) Raise broadcaster up so the power take-off shaft runs fairly straight or level. For best results, center linkage should be shortened until the broadcaster top tilts a little forward towards the tractor.

INSTRUCTIONS FOR CENTERING THE SPREAD PATTERN

- 1) You determine the right or left side of broadcaster by standing at the rear of the tractor and facing the direction of the tractor's travel.
- 2) The broadcaster has a circular plate (part #144) bolted to the base of the hopper that is adjustable, for centering the spread pattern. This plate is numbered from 1 to 9 and the numbers are found on the back side, on the opposite side from the seed opening gauge (part #146). To move the adjustable plate, loosen the four bolts (part #418). Always be sure to retighten bolts after adjustments are made to the plate. The normal setting for fertilizer is on number 3-1/2, and may be moved to a high or lower number depending on the weight and quality of the fertilizer. **CAUTION: DO NOT MAKE ANY ADJUSTMENTS TO BROADCASTER WHILE THE TRACTOR OR BROADCASTER ARE RUNNING.**
- 3) When the spread pattern is heavy on the right side, move the base plate (part #144) to the right (clockwise) to a higher number. Do not move over one number before checking or you may overcompensate.
- 4) When the spread pattern is heavy on the left side, move the base plate (part #144) to the left (counter-clockwise) to a lower number. Do not move over one number before checking or you may overcompensate.
- 5) Make sure the bolts are tightened evenly after making adjustments.

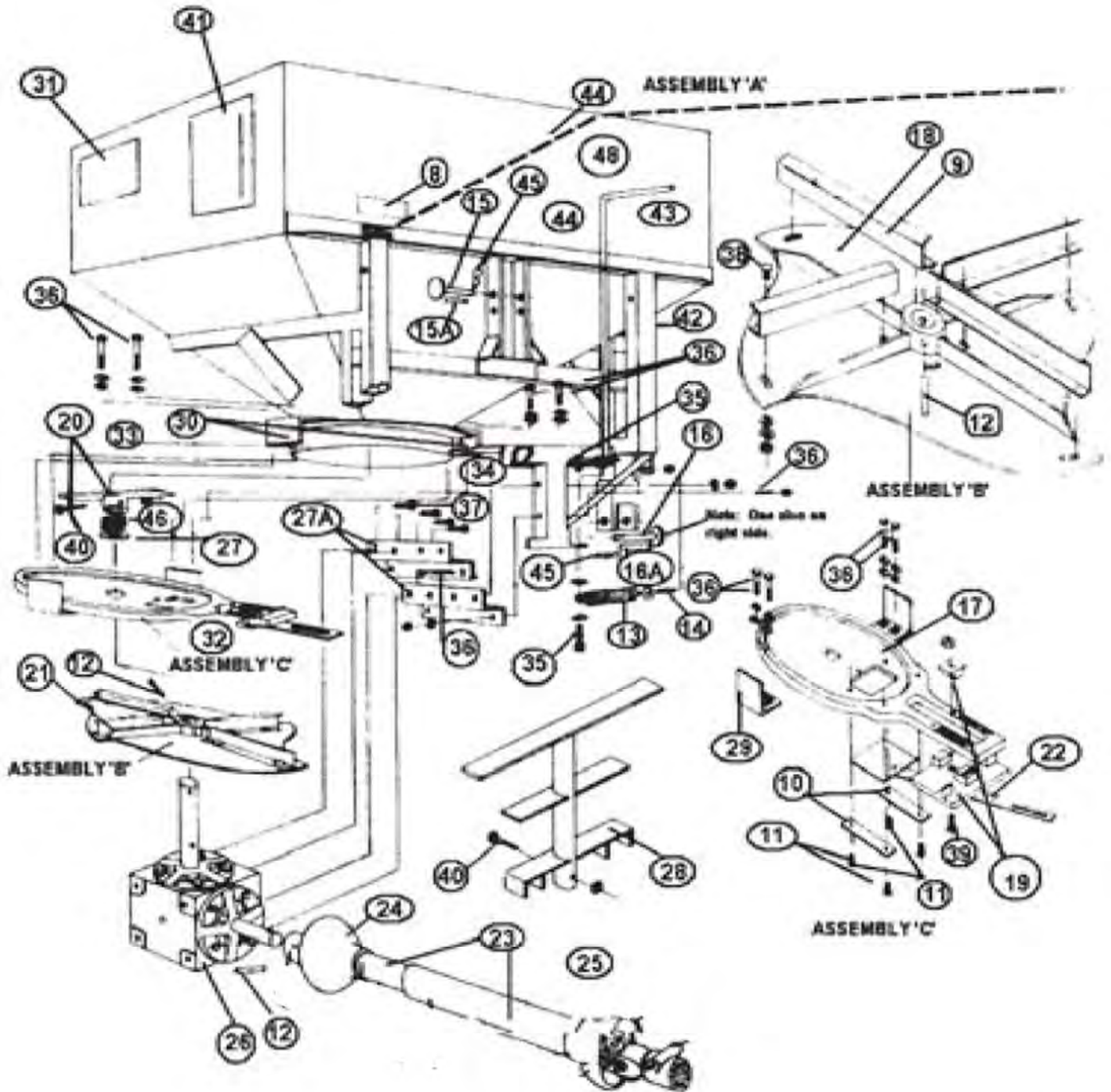


SEED-GATE OPENING CONTROL

- 1) The width of the seed-gate opening is controlled by the seed gauge (part #146), which is bolted to the circular plate (part #144). The seed gauge is marked in 1/8" markings for your convenience. If the seed gauge moved back 1/2" from 0, the seed-gate opening will likewise open 1/2". To verify the seed-gate opening accuracy, insert a drill bit of the desired fraction of an inch between the seed-gate and the edge of the base plate (part #144).
- 2) The handle assembly (part #212) is spring-loaded with an over-center design. When pushed, it will close the seed-gate and when pulled it will open the seed-gate. The double-nutted bolt that attaches the handle assembly to the seed-gate linkage should not be tightened because it must move freely in the seed-gate linkage slot to work properly.
- 3) When broadcasting small seed at small amounts per acre, an optional special seed-gate is available. This is part #148S. This will restrict the seed flow and control of the flow to much smaller amounts.

PARTS DIAGRAM

MODELS 1200C



CAUTION: Keep all guards and shields in place at all times. Disengage power take-off shaft and shut off tractor engine before making any adjustments or repairs to the broadcaster. Keep hands, fingers, and loose clothing well away from any and all moving parts at all times.

Base Broadcaster Part Numbers- Models 1200C and 1200S

<u>Drawing #</u>	<u>Part #</u>	<u>Description</u>	<u>Qty Needed</u>
9	#102	Fan Blade, includes 2x #420 bolts	4
10	#106	Seed Gate or Control Plate Guide	2
11	#107	1/4" x 1/2" hex head capscrew	4
12	#111	5/16" x 2" Spring Pin	2
13	#116	Tension Spring	1
14	#117	Eyebolt, used with Tension Spring	1
15	#120	3/4" Mounting Pin, includes #118 Bushing	1
15A	#118	3/4" x 2" bushing	1
16	#121	7/8" Mounting Pin, includes #119 Bushing	2
16A	#119	7/8" x 2" bushing	2
17	#144	Hopper Base Plate, with 1" bored hole	1
18	#145	Fan Base Only (no blades)	1
19	#146	Seed Gauge complete with bolt	1
	#146B	Bottom Part only of seed gauge	1
	#146U	Upper Part only of seed gauge	1
20	#147	Regular agitator complete with bolt and nut	1
21	#148	Fan Complete with spring pin and blades	1
23	#150P	Complete 25-5/8" PTO Shaft for 1-3/8" and 540RPM tracotrs	1
24	#150FP	Broadcaster Half only of #150P PTO Shaft	1
25	#150MP	Tractor Half only of #150P PTO Shaft	1
26	#2000	Gearbox Complete - for 540RPM Power Take Off Shaft	1
	#2000M	Gearbox Complete - for 1000RPM Power Take Off Shaft	1
27	#152	1" Bore Steel Space Washer	1
27A	#154	"Z" Angle for Gearbox, Upper and Lower, left side	2
	#153	"Z" Angle for Gearbox, Upper and Lower, right side	2
28	#158	Lime agitator with bolt (Optional), used for Dolomite or Dehydrated Lime	1
29	#159	Lower "L" Base Clamp for clamping Baseplate to hopper	2
30	#160	Upper "L" Base Clamp for clamping baseplate to hopper	2
31	#163	Fertilizer Instruction Decal	1
32	#222	"Assembly C" Complete, includes Parts #144, 146, 149, 2x 106, & 4x 107	1
33	#223	Hopper Base Ring (welded to base of hopper)	1
34	#207	24" Deflector	1
35	#407	4/16" x 1" Hex Head with nut and lockwasher	2
36	#418	1/2" x 3" Hex Head with nut and flatwasher	8
37	#419	3/8"x 1" Hex Head bolt (grade 5)	8
38	#420	5/16" x 3/4" carriage bolt with nut and lockwasher	8
39	#421	5/16" x 1-1/4" carriage bolt with nut	1
40	#422	5/16" x 1-3/4" hex head bolt with nut, for #147 or #158 agitators	1
41	#989C	Seeding Chart Decal	1
42	#1085	Frame for 1200C (must be welded to hopper)	1
43	#1086	Handle assembly less spring #116	1
44	#156	Hopper for 1200C (must be welded to frame)	1
45	#1004	3" Hairpin cotter	3
46	#1023	Stainless steel compression spring, used between agitator and washer	1
47	#1126	1/4" x 3/8" Hex head bolt	1
48	#1092	"WARNING - Spinning Blades" Decal	1

FOR SALT/SAND SPREADERS

Models 1200S

This salt/sand spreader has been shipped from the factory with all alternations already made to the gear-box for spreading sand. The sand agitator has also been installed.

- 1) When assembly the seeder, the base plate should be set at 5-1/2 to give a centered spread of sand.
- 2) The opening gate should remain set at its widest opening. NEVER CLOSE THIS OPENING. If this opening is closed and the seeder is started, the agitator will shear the bolt and the sand will pack. If this happens, the sand must be unloaded by hand. If the hex head cap screw with nut breaks, use only parts # 805 & #810 to replace it.
- 3) When loaded and ready to start spreading sand, only run the PTO so it will be turning approximately 360RPM (2/3 of tractor throttle) for PTO speed. Too much speed will cause the sand to pack.
- 4) When the unit is close to being empty, the agitator will bang against the side of the hopper. When you hear this, slow the tractor throttle to just about idle.
- 5) The agitator must be greased at least once a season. Make sure all power is off before preforming maintenance. Replace screen-guard when agitator has been greased.
- 6) When spreading salt, seed, or fertilizer, use standard #147 agitator.

Additional Parts Used for Salt/Sand Spreaders	
#860	Wet Sand Agitator (see photo)
#860A	Wet Sand Agtator for Fine Sand
#805	5/16" x 2-1/2" HHCS
#810	5/16" locknut
#868	Screen Guard for 750S, 5.5, 750SSS, SCP2011
#869	Screen Guard for 1200S
#867	Screen Guard for SCP2011 Scoop & Spread
#10241	Sand Grate for SCP2011 Scoop & Spread
#866	Sand Shield for SCP2011 Scoop & Spread
#864	Cable Bracket Handle End for SCP2011
#865	Cable Sand Shield for SCP2011
#863	Cable Handle for SCP2011



Optional 248 Hydraulic Motor and Valve Kit

(NOTE: The #248 Kit is included with models 750SSS and SCP2011 Salt/Sand Spreaders for Skid Steers)

This hydraulic motor comes with the diversion valve (244) and mounting bracket, two hoses for valve to motor connection, 2 mounting angles with spacers (249), and the shaft extension (245) to connect the motor to the gear box. Also included is the “flag” for valve plus a T-handle push-pull cable with mounting hardware to open and close the valve. We do not supply the 2 hoses from the valve to the tractor.

- 1) Turn the seeder upside down for easier installation (pictures shown are right side up).
- 2) Attach the shaft extension and mounting brackets with spacer to the motor. Slide the extension shaft over the gearbox shaft and install the bolt provided through the hole. Motor should be positioned as shown in photo #1. If you have a 1000 kit installed the motor should be turned with the hose outlets toward the other side. The valve and cable holder should be mounted to the other side of the unit (Picture 2).
- 3) Loosely connect the mounting angles on the hydraulic motor to the gearbox angles on the seeder with the bolts provided.
- 4) Align the motor and gearbox and tighten all bolts securely.
- 5) Attach the T-handle cable holder to the seeder frame.
- 6) Install the push-pull cable as shown with hardware provided.



Photo #1

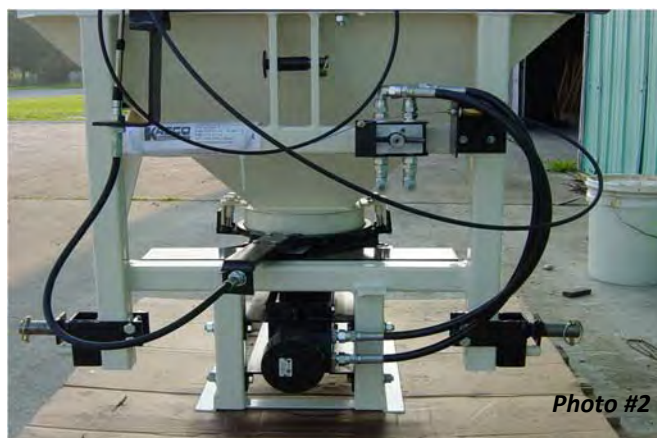


Photo #2

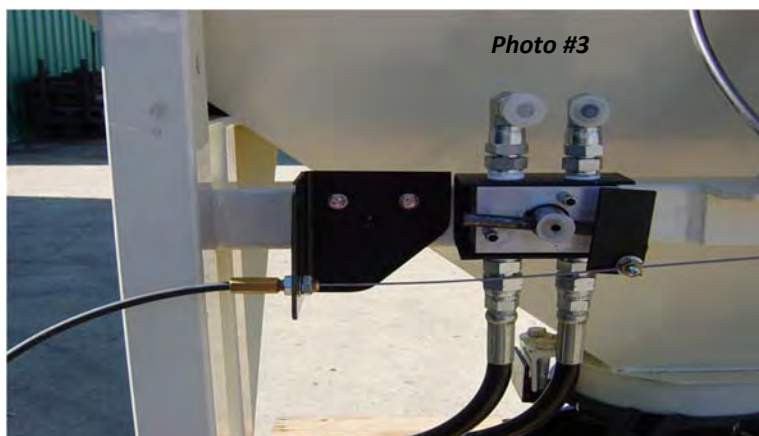


Photo #3



Photo #4

SEEDING CHART

Seed	Open Width	Width of Spread	Pounds Per Acre—Speed in MPH					
			5MPH	6MPH	7MPH	8MPH	9MPH	10MPH
Alfalfa	1/8"	28 Feet	12#	10.8#	9.6#	8.4#	9.6#	8#
Blue Grass	1/2"	18 Feet	16#	14.4#	12.8#	11.2#	9.6#	8#
Brome Grass	1/4"	10 Feet	7#	6.3#	5.6#	4.9#	4.2#	3.5#
Clover	1/8"	28 Feet	12#	10.8#	9.6#	8.4#	7.2#	6#
Harry Vetch	1/4"	40 Feet	33#	29.7#	26.4#	23.1#	19.8#	16.5#
Hulled Lespedeza	1/8"	36 Feet	13#	11.7#	10.4#	9.1#	7.8#	6.5#
Meadow Fescue	1/4"	18 Feet	13.5#	12.2#	10.8#	9.4#	8.1#	6.8#
Oats	1/2"	33 Feet	86#	77.4#	68.8#	60.2#	51.6#	43#
Orchard Grass	1/4"	12 Feet	12#	10.8#	9.6#	8.4#	7.2#	6#
Piper Sudan - Sweet	1/4"	36 Feet	32#	28.8#	25.6#	22.4#	19.2#	16#
Rice	1/2"	33 Feet	180#	162#	144#	126#	108#	90#
Rye Grass	1/4"	18 Feet	13.5#	12.2#	10.8#	9.4#	8.1#	6.8#
Rye	1/2"	34 Feet	132#	118.8#	105.6#	92.4#	79.2#	66#
Soybeans	3/4"	40 Feet	120#	108#	96#	84#	72#	60#
Wheat	1/2"	34 Feet	132#	108#	105#	92#	79#	66#

Note: The above rates are for use as a guide only.

MAINTENANCE:

- Before storing the broadcaster, it should be washed out thoroughly with water. Make sure that all fertilizer residue is removed. For cleaning the base of the hopper and to clean the base plate, loosen the bolt (part #418) that holds the baseplate to the bottom of the hopper, so there is sufficient space to wash out all corrosive material. When the parts are dry, oil them thoroughly, retighten the #418 bolt when finished.
- We also recommend that you separate the tractor end of the PTO shaft (part #150MP) from the seeder end of the PTO shaft (part #150FP) and grease them thoroughly for storage. Leave the two sections of the PTO shaft separate during storage to prevent them from seizing.

TROUBLE-SHOOTING TIPS

- If the spread pattern is not as wide as shown on the above chart, check to make sure one of the spring pins #111 is not sheared.
- Other causes of poor spread pattern:
 - A. Bent or broken fan (#145) or fan blades (#102)
 - B. Fan blades (#102) moved from original factory setting. Blades should be in line with long marks on fan.
 - C. The distance between fan (#145) and base (#144) should never be further than 2-5/16" or closer than 2-5/32".
 - D. Do not run the tractor PTO speed below 530RPM or it will result in a narrow spread pattern.
 - E. Do not run the tractor PTO speed over 560RPM or it will result in an uneven spread pattern.
- The broadcaster should run level or tilted slightly forward toward the tractor. Make sure the broadcaster is level from side to side.
- If the spread pattern is too heavy to the right side, rotate the base plate (#144) to a higher number. If the spread pattern is too heavy to the left side, rotate the base plate (#144) to a lower number.
- When the material being spread does not feed evenly:
 - A. Check the material for foreign matter in the hopper or blocking the opening.
 - B. Check to see that the agitator (#147) is bent down close to the base plate (#144). Do not bend it so much that it hits when rotating.
 - C. Check to see that the opening is not set too close for the size of material being spread.
 - D. Do not run the fan for any length of time with the opening gate (#149) closed, or the agitator will grind up the material and pack over the opening gate, causing poor feeding of the material. Do not over-agitate material.