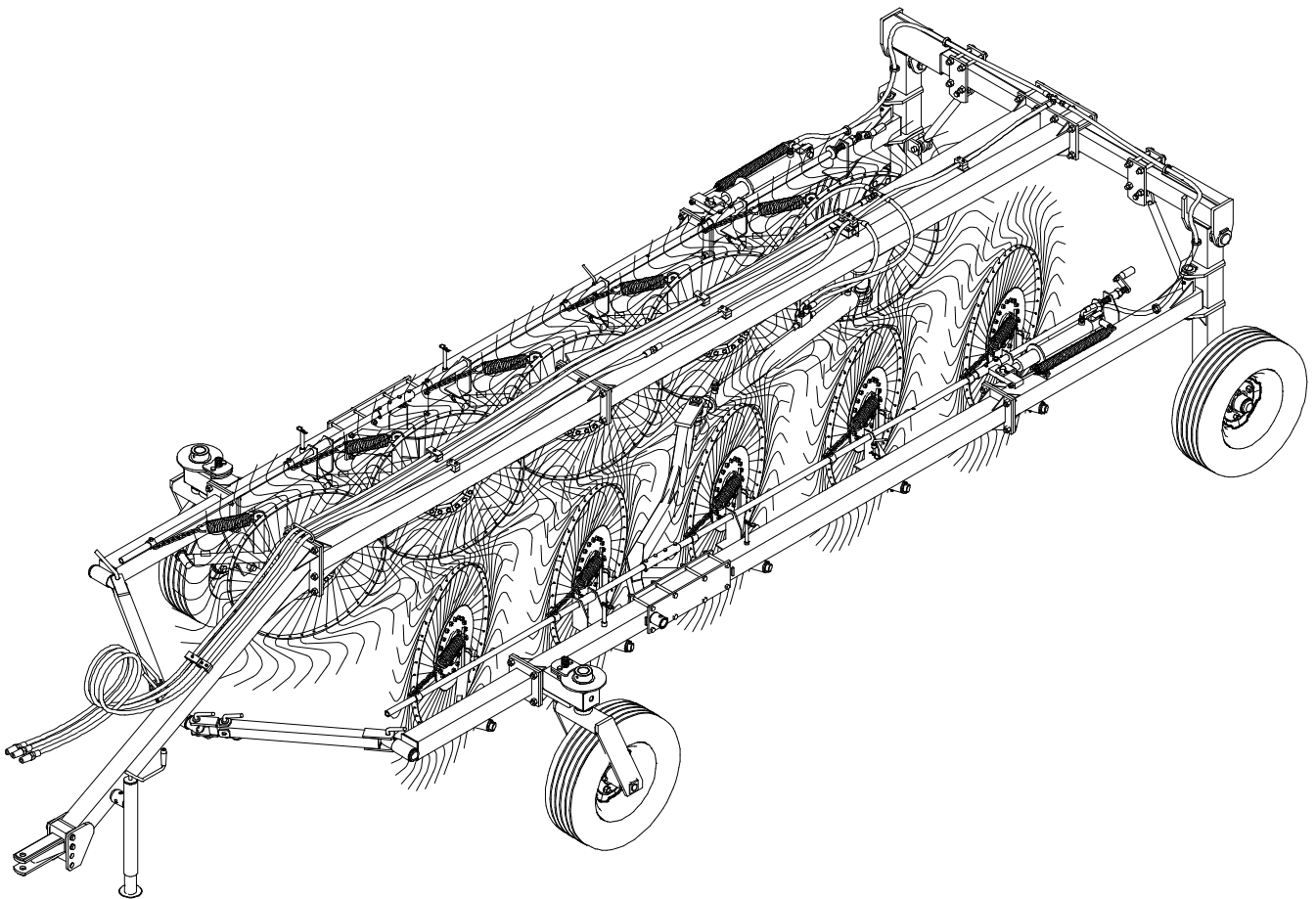


AGRICULTURAL MACHINERY

**sitrex**®  
Spa

## ***SPARE PARTS LIST***



**MX/8    MX/10**

TABLE NO. 920.133 REAR PART

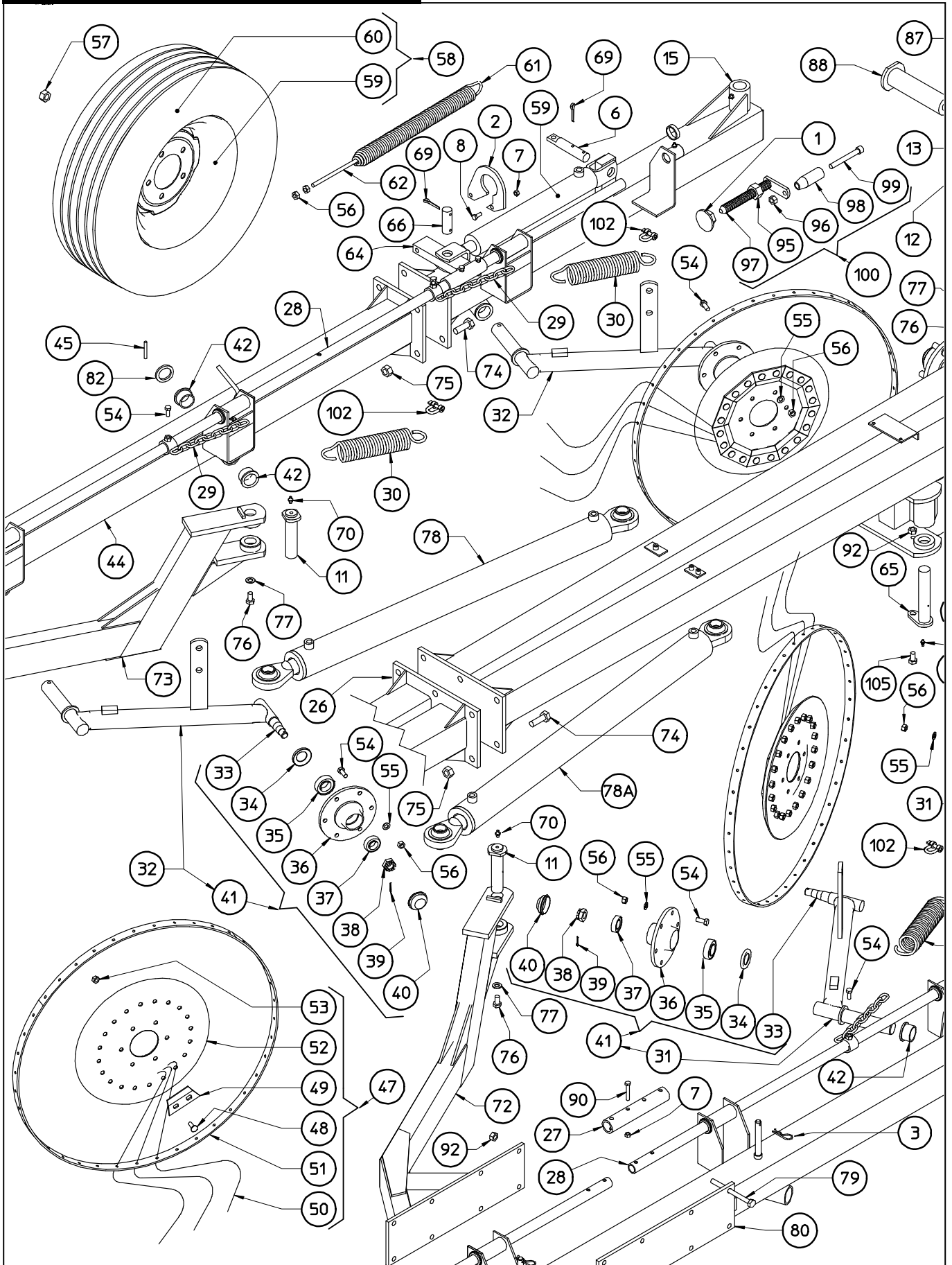


TABLE NO. 920.133 REAR PART

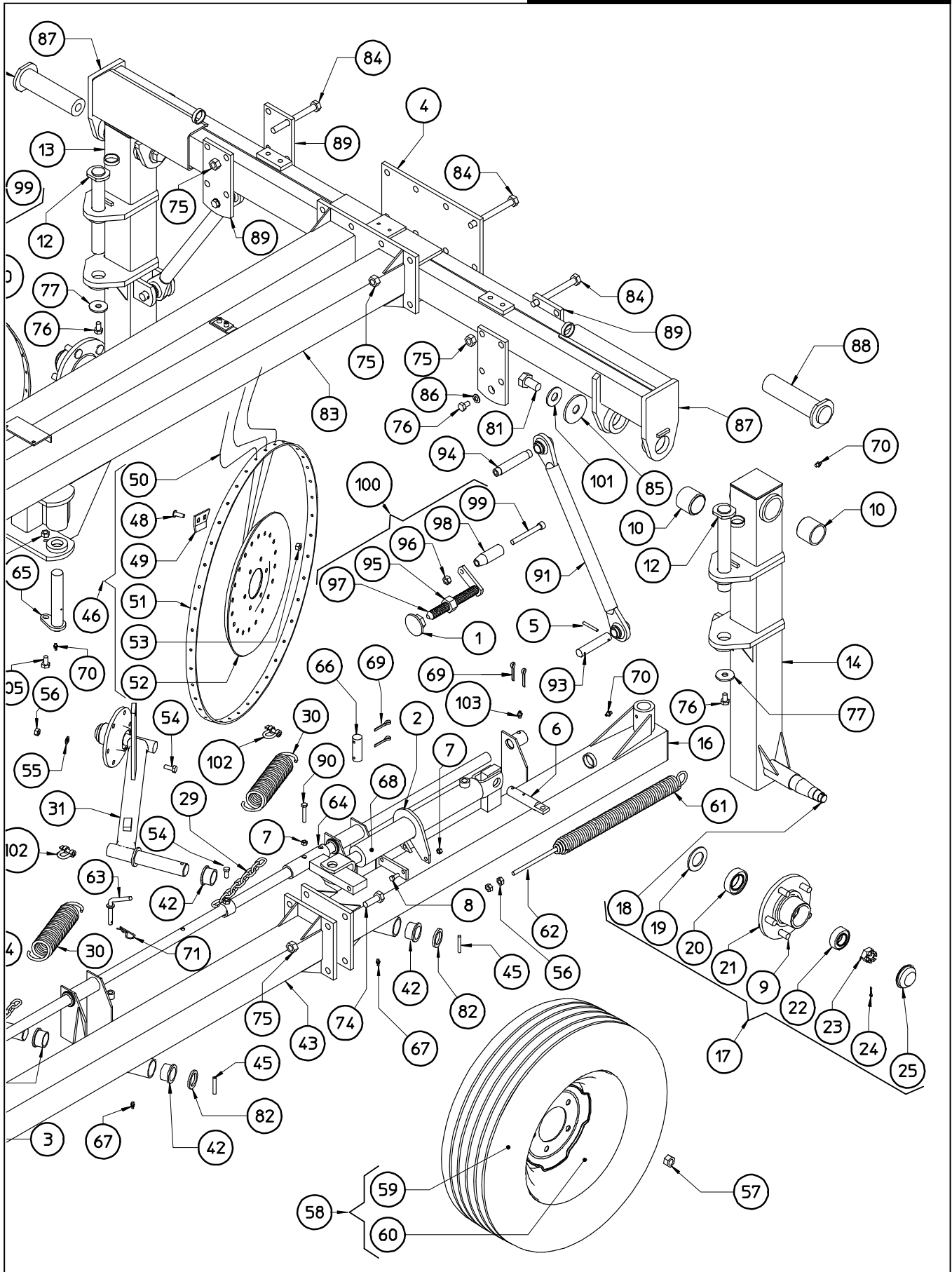
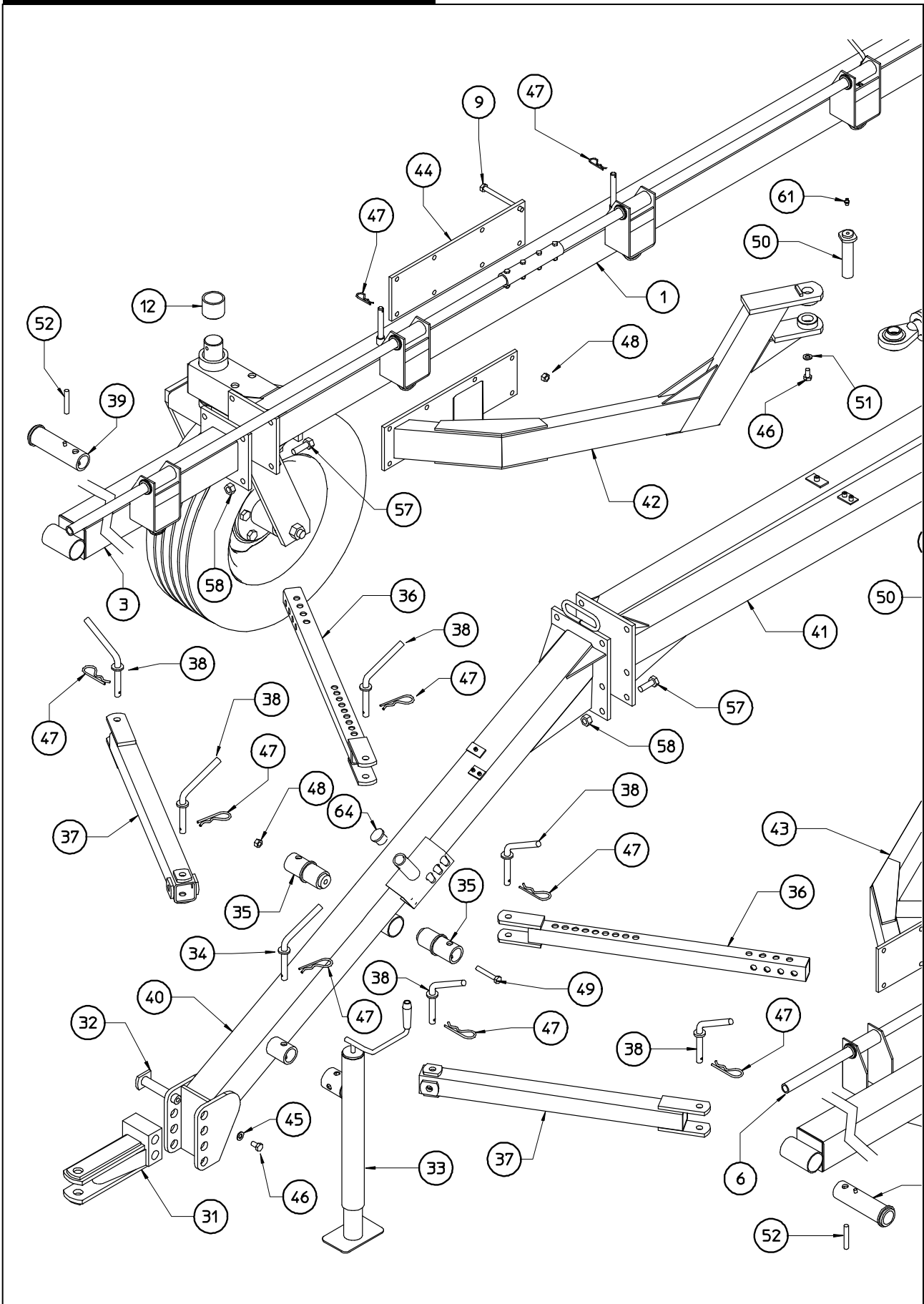


TABLE NO 920.133 REAR PART					
ITEM	Q.ty MX 8	Q.ty MX 10	PART NO	DESCRIPTION	NOTE
1	2	2	210.890	HEAD	
2	2	2	210.932	CYLINDER BRACKET	
3	9	9	600.019	SPLIT PIN	
4	1	1	210.872	DRAWBAR FIXING COUNTER PLATE	
5	4	4	600.635	SPRING PIN 5 X 36 DIN 1481	
6	2	2	210.889	PIN	
7	16	16	600.076	NUT M 8 DIN 980	
8	4	4	600.702	SCREW M8 X 25 DIN 931 8.8	
9	10	10	610.413	BOLT	
10	8	8	200.199	BUSH	
11	2	2	210.135	PIN	
12	2	2	210.894	PIN	
13	1	1	210.892	REAR WHEEL SUPPORT,RH	
14	1	1	210.893	REAR WHEEL SUPPORT,LH	
15	1	1	220.398	SECTION 1 WHEEL,RH	
16	1	1	220.399	SECTION 1 WHEEL,LH	
17	2	2	205.213	HUB ASSY	
18	2	2	205.276	PIN	
19	2	2	600.284	DUST COVER	
20	2	2	600.285	BEARING 30208	
21	2	2	600.286	HUB	
22	2	2	600.287	BEARING 30206	
23	2	2	600.288	CASTLE NUT M27 X 1,5	
24	2	2	600.291	SPLIT PIN	
25	2	2	600.290	CAP	
26	1	1	210.870	CENTER DRAWBAR	
27	2	2	220.357	BUSH	
28	2	2	220.408	MAIN PIPE	
29	8	10	220.356	CHAIN BUSH	
30	8	10	200.046	SPRING	
31	4	5	200.803	LH ARM	
32	4	5	200.008	RH ARM	
33	8	8	205.277	PIN	
34	8	8	600.011	DUST COVER	
35	8	8	600.012	BEARING 30205	
36	8	8	600.013	HUB	
37	8	8	600.014	BEARING 30204	
38	8	8	600.015	CASTLE NUT M18 X 1,5 - 6	
39	8	8	600.301	SPLIT PIN D 3 X 30 DIN 94 3.6	
40	8	8	600.016	CAP	
41	8	8	205.041	HUB ASSY	
42	16	20	200.029	BUSH	
43	1	1	220.401	SECTION 3 WHEEL,LH	
44	1	1	220.400	SECTION 3 WHEEL, RH	
45	8	10	600.027	SPRING PIN D 8 X 50 DIN 1481	
46	4	5	210.181	LH FINGER WHEEL ASSY	
47	4	5	210.180	RH FINGER WHEEL ASSY	
48	160	200	600.005	SCREW M10 X 25 DIN 603 6.8	
49	80	100	200.012	TINE LOCK	
50	320	400	210.621	TINE	
51	8	10	200.009	RIM	
52	8	10	200.010	FLANGE	

TABLE NO 920.133 REAR PART					
ITEM	Q.ty MX 8	Q.ty MX 10	PART NO	DESCRIPTION	NOTE
53	160	200	600.029	NUT M10 DIN 980	
54	58	70	600.006	SCREW M10 X 25 DIN 933 8.8	
55	48	60	600.024	SPRING WASHER D 10,5	
56	52	64	600.010	NUT M10 DIN 934 - 8	
57	10	10	600.289	NUT M16 X 1,5	
58	2	2	610.420	WHEEL ASSY	
59	2	2	610.291	TIRE	
60	2	2	600.304	RIM	
61	2	2	210.152	SPRING	
62	2	2	210.173	TIEROD	
63	2	2	220.377	PIN	
64	2	2	220.403	SUPPORT	
65	2	2	210.134	PIN	
66	2	2	200.032	PIN	
67	16	20	600.968	GREASE NIPPLE M 6 - 45°	
68	2	2	210.150	CYLINDER	
69	8	8	600.038	SPLIT PIN D 6 X 35 DIN 94 3.6	
70	10	10	600.034	GREASE NIPPLE M8	
71	9	9	600.019	PIN	
72	1	1	210.887	ARM, LH	
73	1	1	210.886	ARM, RH	
74	20	28	610.167	SCREW M16 X 45 DIN 933 8.8	
75	36	44	600.080	NUT M16 DIN 980	
76	10	10	600.770	SCREW M12 X 20 DIN 933 8.8	
77	4	4	500.160	FLAT WASHER	
78	1	1	210.866RH	CYLINDER RH	
78A	1	1	210.866LH	CYLINDER LH	
79	16	16	600.001	SCREW M12 X 140 DIN 931 8.8	
80	2	2	205.696	COUNTERPLATE	
81	2	2	600.150	SCREW M22 X 50 DIN 933 8.8	
82	8	10	200.028	WASHER	
83	1	1	220.411	REAR DRAWBAR	
84	16	16	610.839	SCREW M16 X165 DIN 931 8.8	
85	2	2	200.822	WASHER	
86	4	4	600.092	WASHER	
87	2	2	220.410	REAR CROSSPIECE	
88	2	2	210.100	PIN	
89	4	4	210.898	PLATE	
90	12	12	610.525	SCREW M 8 X 60 DIN 931 8.8	
91	2	2	210.896	TIE ROD	
92	20	20	600.077	NUT M12 DIN 980	
93	2	2	210.897	PIN	
94	2	2	220.412	PIN	
95	2	2	600.200	NUT M22 DIN 934 - 8	
96	2	2	600.008	NUT M12 DIN 934 - 8	
97	2	2	210.177	HANDLE	
98	2	2	600.965	KNOB	
99	2	2	600.967	SCREW M12 X100 DIN 912 8.8	
100	2	2	210.178	HANDLE,COMPLETE	
101	2	2	600.214	SPRING WASHER D 23	
102	8	10	610.317	D SHACKLES	
103	2	2	600.124	GREASE NIPPLE M6	
105	2	2	600.616	SCREW M12 X 35 DIN 933 8.8	

TABLE NO. 920.134 FRONT PART



**TABLE NO. 920.134 FRONT PART**

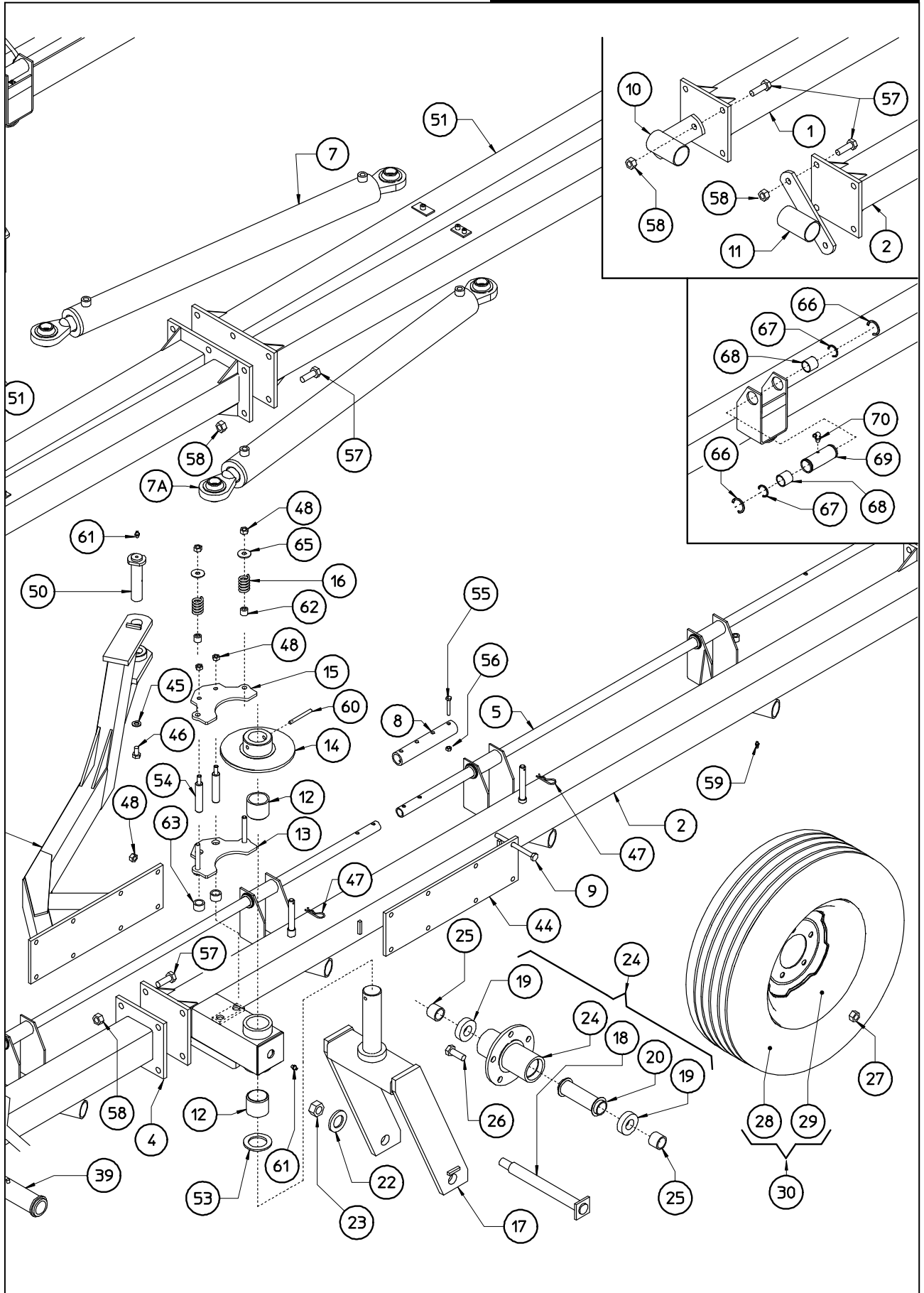


TABLE NO. 920.134 FRONT PART					
ITEM	Q.ty MX 8	Q.ty MX 10	PART NO	DESCRIPTION	NOTE
1	1	1	220.400	SECTION 3 RH WHEEL	
2	1	1	220.401	SECTION 3 LH WHEEL	
3	-	1	220.366	SECTION 1 RH WHEEL	MX 10
4	-	1	220.367	SECTION 1 LH WHEEL	MX 10
5	2	2	220.408	CENTER MAIN PIPE	
6	2	-	220.352	FRONT PIPE	MX 8
6	-	2	220.402	FRONT PIPE	MX 10
7	1	1	210.866RH	CYLINDER RH	
7A	1	1	210.866LH	CYLINDER LH	
8	2	2	220.357	BUSH	
9	16	16	600.001	SCREW M12 X140 DIN 931 8.8	
10	1	1	200.939	TRANSPORT ARMS RH HITCH	
11	1	1	200.940	TRANSPORT ARMS LH HITCH	
12	8	8	200.199	BUSH	
13	2	2	260.083	BRAKE COUNTER PLATE	
14	2	2	200.025	BUSH	
15	2	2	260.082	BRAKE	
16	2	2	200.044	SPRING	
17	2	2	210.168	WHEEL SUPPORT	
18	2	2	210.184	PIN	
19	4	4	600.609	BEARING 6206 2RS	
20	2	2	200.140	SPACER	
21	2	2	200.139	HUB	
22	2	2	200.165	WASHER	
23	2	2	600.079	NUT M22 DIN 980	
24	2	2	210.169	HUB ASSY	
25	4	4	210.170	SPACER	
26	10	10	600.144	SCREW M16 X 1,5 X 40 DIN 961 8.8	
27	10	10	600.289	NUT M16 X1,5	
28	2	2	610.291	TIRE	
29	2	2	600.304	RIM	
30	2	2	610.420	WHEEL ASSY	
31	1	1	210.306	TRACTOR HITCH	
32	2	2	200.828	PIN	
33	1	1	220.166	PARKING STAND	
34	1	1	200.222	PIN	
35	2	2	200.818	BUSH	
36	2	2	200.817	INNER ARM	
37	2	2	200.816	OUTER ARM	
38	6	6	200.820	PIN	
39	2	2	200.819	BUSH	
40	1	1	210.869	FRONT DRAWBAR	



TABLE NO. 920.134 FRONT PART					
ITEM	Q.ty MX 8	Q.ty MX 10	PART NO	DESCRIPTION	NOTE
41	1	1	210.870	CENTER DRAWBAR	
42	1	1	210.886	FIX ARM,RH	
43	1	1	210.887	FIX ARM,LH	
44	2	2	205.696	COUNTER PLATE	
45	2	2	500.160	FLAT WASHER	
46	12	12	600.770	SCREW M12 X 20 DIN 933 8.8	
47	9	9	600.019	PIN	
48	18	18	600.077	NUT M12 DIN 980	
49	1	1	600.618	SCREW M12 X 60 DIN 931 8.8	
50	2	2	210.135	PIN	
51	1	1	220.411	REAR DRAWBAR	
52	2	2	600.446	SPRING PIN D 8 X 70 DIN 1481	
53	2	2	210.179	WASHER	
54	4	4	260.092	PIN	
55	4	12	610.525	SCREW M 8 X 60 DIN 931 8.8	
56	8	16	600.076	NUT M 8 DIN 980	
57	26	28	610.167	SCREW M16 X 45 DIN 933 8.8	
58	40	44	600.080	NUT M16 DIN 980	
59	8	10	600.968	GREASE NIPPLE M 6 - 45°	
60	2	2	600.033	PIN D 10 X 80 DIN 1481	
61	10	10	600.034	GREASE NIPPLE M8	
62	4	4	250.259	BUSHING	
63	4	4	260.091	BUSHING	
64	1	1	610.790	PLUG	
65	4	4	600.845	WASHER D.12/36 X 4	
66	16	20	610.833	SEEGER E 50	
67	16	20	610.898	ELASTIC RING SB 44	
68	16	20	220.342	NYLON BUSH	
69	16	20	220.343	BUSH	
70	16	20	600.968	GREASE NIPPLE M6X45°	



**TABLE NO. 920.135 HYDRAULIC KIT**

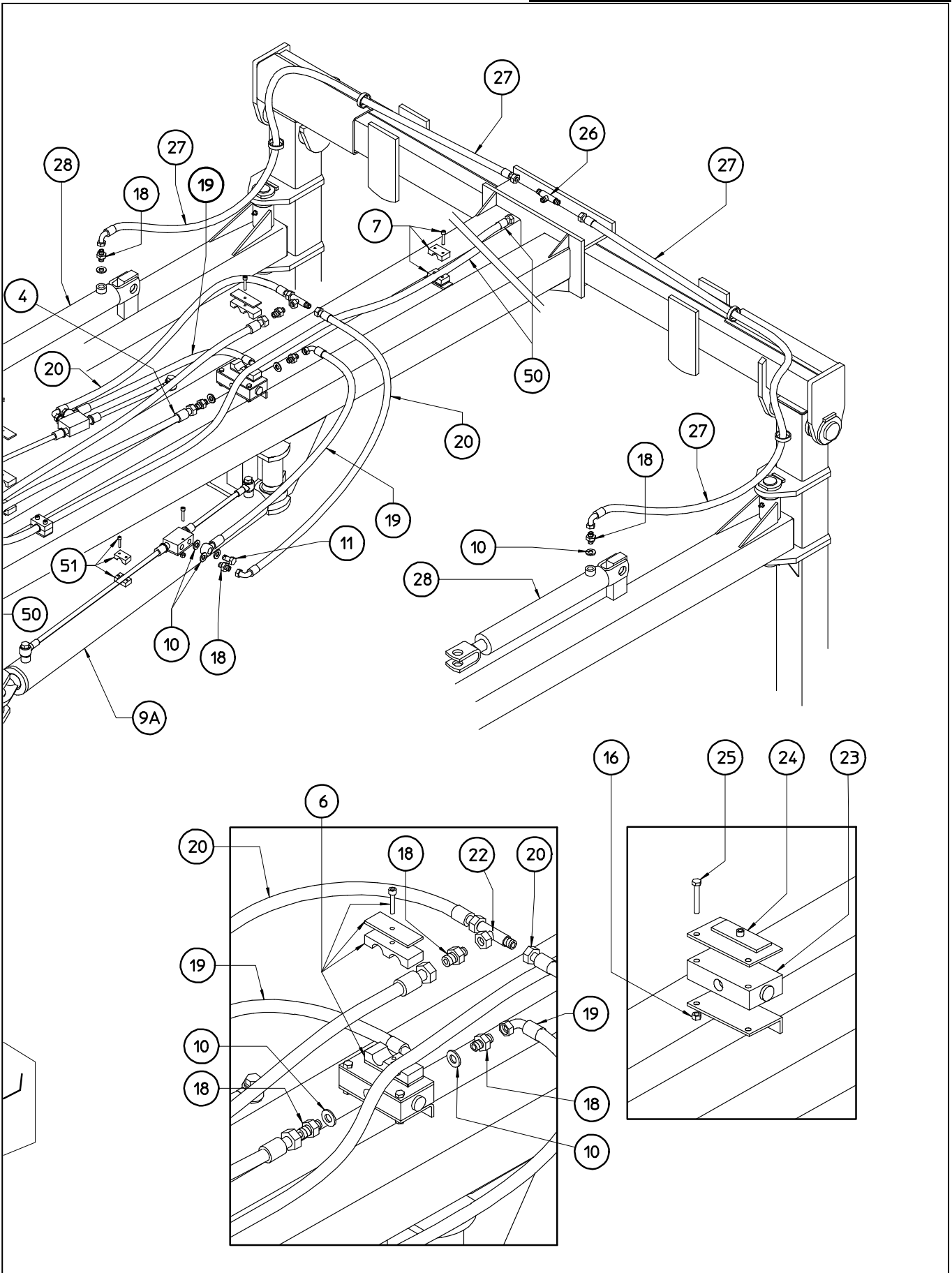
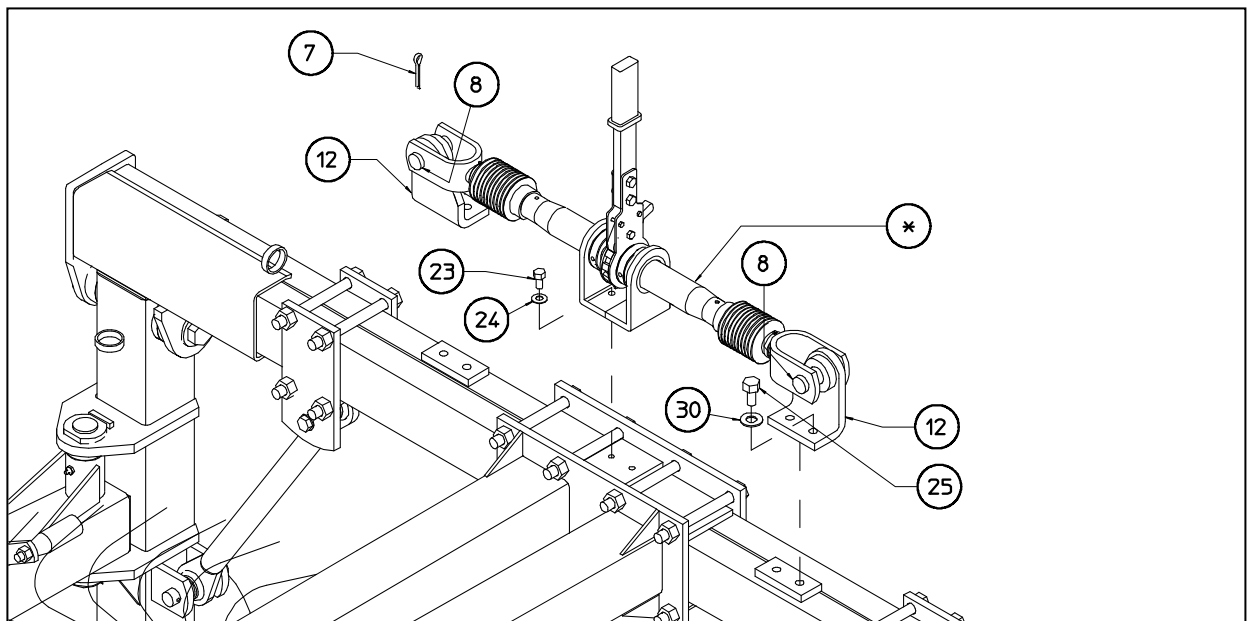


TABLE NO 920.135 HYDRAULIC KIT					
ITEM	Q.ty MX 8	Q.ty MX 10	PART NO	DESCRIPTION	NOTE
1	3	3	600.273	RAPID COUPLING 1/2"	
2	3	3	600.269	COPPER WASHER 1/2"	
3	1	1	610.774	HOSE SAE100 R2AT 3/8 FP 3/8 - MP 1/2	
4	1	1	610.773	HOSE SAE100 R2AT 3/8 FP 3/8 - MP 1/2	
5	1	1	610.775	HOSE SAE100 R2AT 3/8 MP 1/2" - FP 3/8"	
6	4	4	610.050	DOUBLE HOSE COLLAR	
7	4	4	600.822	HOSE COLLAR	
9	1	1	210.866RH	CYLINDER RH	
9A	1	1	210.866LH	CYLINDER LH	
10	23	23	600.039	COPPER WASHER 3/8"	
11	6	6	600.040	FITTING D 3/8"	
12	2	2	210.868	IRON PIPE	
13	4	4	610.469	FITTING	
14	2	2	600.799	LOCK VALVE VSD 3/8"	
15	2	2	600.869	SCREW M 6 X 40 DIN 931 8.8	
16	4	4	600.472	NUT M 6 DIN 980	
17	2	2	210.194	IRON PIPE	
18	8	8	600.270	NIPPLE 3/8" - 3/8"	
19	2	2	610.729	HOSE SAE100 R2AT 3/8 O 3/8" - FP90 3/8"	L.28,5"
20	2	2	610.730	HOSE SAE100 R2AT 3/8 FP90 3/8 - FP 3/8	L.29,5"
22	1	1	600.977	FITTING MM-FG 3/8"	
23	1	1	600.974	FLOW DIVIDER	
24	1	1	210.330	PLATE	
25	2	2	600.970	SCREW M 6 X 60 DIN 931 8.8	
26	1	1	600.272	FITTING MM-M 3/8"	
27	2	2	610.731	HOSE SAE100 R2AT 3/8 FP 3/8 - FP90 3/8	
28	2	2	210.150	CYLINDER	
29	2	2	210.221	ROD	
30	2	2	210.222	CYLINDER PIPE	

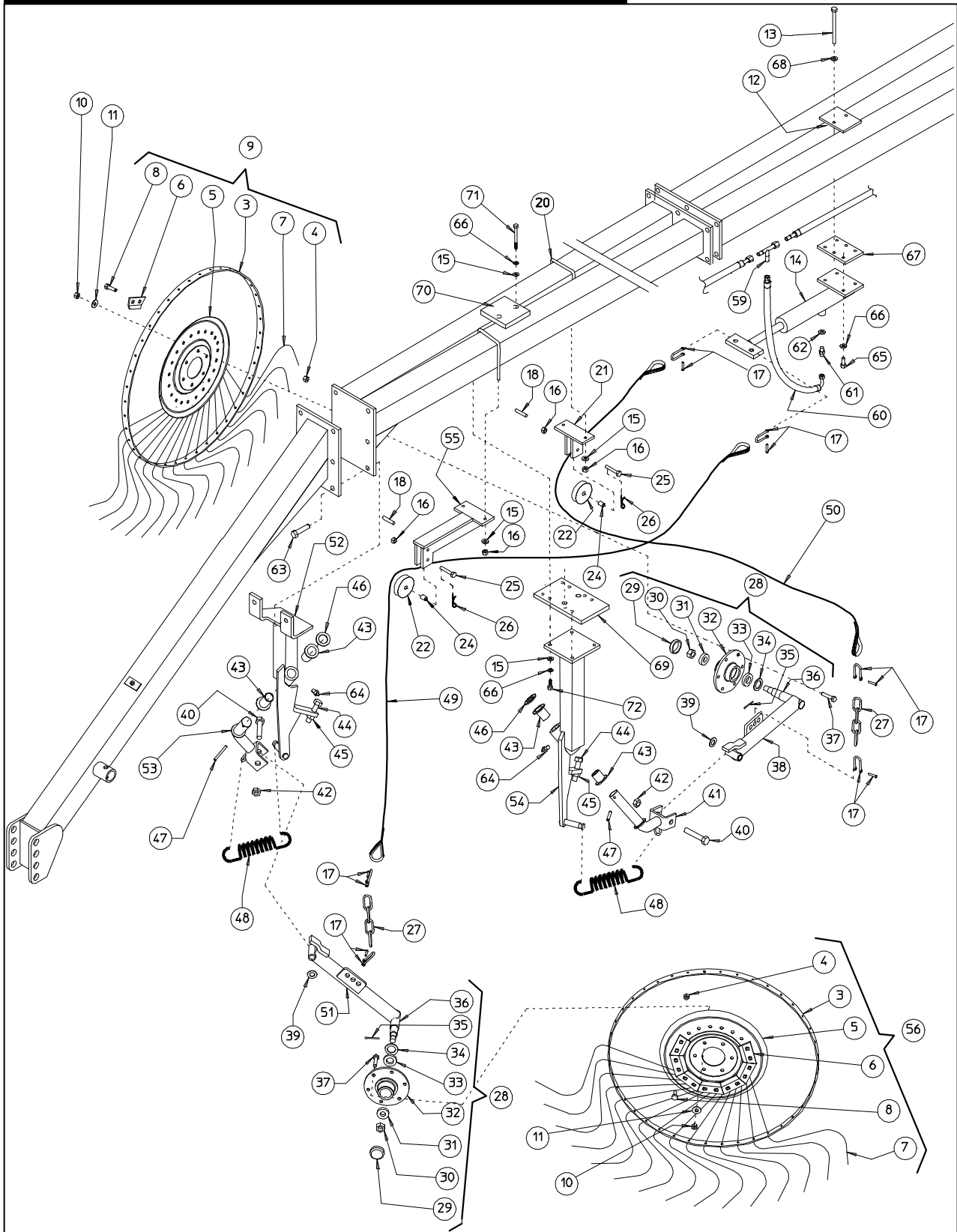
TABLE NO 920.135 HYDRAULIC KIT					
ITEM	Q.ty MX 8	Q.ty MX 10	PART NO	DESCRIPTION	NOTE
31	2	2	200.302	HEAD	
32	2	2	200.304	PISTON	
33	2	2	600.642	NUT M18 X1.5 DIN 982 - 8	
34	2	2	600.645	GASKET WRM 118149 (D 30)	
35	2	2	600.646	GASKET OR 117 (D 20,29 X 2,62)	
36	2	2	600.648	GASKET DBM 196133 BORE 50	
37	2	2	620.022	KIT GASKET	
38	2	2	220.427	ROD	
39	1	1	220.425RH	CYLINDER PIPE RH	
39	1	1	220.425LH	CYLINDER PIPE LH	
40	2	2	220.421	HEAD	
41	2	2	220.423	SPACER	
42	2	2	220.420	PISTON	
43	2	2	610.922	NUT M27 X 2 DIN 985 - 8	
44	2	2	610.600	GASKET WRM 157188 (D 40)	
45	2	2	610.599	GASKET B 196157 (D 40)	
46	2	2	610.923	GASKET OR 839 + PBK (D 63,50 X 3,53)	
47	2	2	610.921	GASKET OR 121 (D 26,65 X 2,62)	
48	2	2	600.984	GASKET DBM 275196 BORE 70	
49	2	2	610.924	KIT GASKET	
50	1	1	610.776	HOSE SAE100 R2AT 3/8 MP 3/8" - FP 3/8"	
51	1	1	610.421	HOSE COLLAR	



RATCHET LINK KIT PART NO. 220.264				
ITEM	Q.ty	PART NO	DESCRIPTION	NOTE
1	1	610.811	HANDLE	*
2	1	220.213	LEVER	*
3	1	220.218	SCREW PIPE	*
4	1	220.073	SPRING	*
5	2	600.076	NUT M8 DIN 980	*
7	4	600.038	SPLIT PIN D 6 X 35 DIN 94 3.6	
8	2	200.032	PIN	
9	1	220.219	TIE ROD RH	*
10	2	610.507	RING	*
11	2	220.435	RUBBER COVER	*
12	2	220.062	TIE ROD SUPPORT	
13	2	220.205	LEVER SUPPORT	*
14	1	220.070	LOCKING HOOK	*
15	2	600.702	SCREW M8 X 25 DIN 933 8.8	*
16	2	220.217	PIPE SUPPORT	*
17	2	220.196	NYLON BUSH	*
18	2	220.206	BUSH	*
19	4	610.814	SPRING PIN D 6 X 14 DIN 1481	*
20	3	610.718	NUT M4 DIN 982 - 8	*
21	1	220.220	TIE ROD LH	*
22	2	600.124	GREASE NIPPLE M 6	*
23	2	600.006	SCREW M10 X 25 DIN 933 8.8	
24	2	600.024	SPRING WASHER D 10,5	
25	4	610.155	SCREW M14 X 25 DIN 933 8.8	
26	1	600.202	SCREW M6 X 25 DIN 933 8.8	*
27	3	610.717	SCREW M4 X 25 DIN 933 8.8	*
28	3	220.215	BUSH	*
29	1	600.472	NUT M6 DIN 980	*
30	4	600.086	SPRING WASHER D 15	
*	1	220.216	RATCHET LINK	

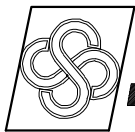


**PART NO. 220.379 HYDRAULIC CENTRAL WHEELS KIT**





HYDRAULIC CENTRAL WHEELS KIT PART NO. 220.379				
ITEM	Q.ty	PART NO.	DESCRIPTION	NOTE
3	2	200.840	RIM	
4	40	600.029	NUT M10 DIN 980	
5	2	200.010	FLANGE	
6	20	200.012	TINE LOCK	
7	80	200.841	TINE	
8	40	600.005	SCREW M10 X 25 DIN 603 6.8	
9	1	200.802	WHEEL ASSY L.H.	RH SIDE
10	12	600.010	NUT M10 DIN 934 - 8	
11	12	600.024	SPRING WASHER D 10,5	
12	1	210.978	COUNTER PLATE	
13	2	610.698	SCREW	
14	1	210.567	LIFT CYLINDER	
15	10	600.089	WASHER D 13 DIN 125A	
16	6	600.077	NUT M12 DIN 980	
17	6	610.317	FORK ASSY	
18	2	600.539	SPRING PIN D 6 X 45 DIN 1481	
20	2	210.582	U BOLT	
21	1	210.564	PULLEY BRACKET	
22	2	200.741	PULLEY	
24	2	210.581	BUSH	
25	2	210.627	SCREW	
26	2	600.019	SPLIT PIN	
27	2	210.983	CHAIN	
28	2	205.777	HUB ASSY	
29	2	600.016	CAP	
30	2	600.015	CASTLE NUT M18 X 1,5 - 6	
31	2	600.014	BEARING 30204	
32	2	205.291	HUB	
33	2	600.012	BEARING 30205	
34	2	600.011	DUST COVER	
35	2	600.301	SPLIT PIN D 3 X 30 DIN 94 3.6	
36	2	205.819	PIN	
37	12	600.006	SCREW M10 X 25 DIN 933 8.8	
38	1	210.566	ARM	
39	2	600.756	WASHER D 19 DIN 433	
40	2	600.266	SCREW M18 X 100 DIN 931 8.8	
41	1	210.617	BRACKET	
42	2	600.078	NUT M18 DIN 980	
43	4	200.029	BUSH	
44	2	600.617	SCREW M12 X 60 DIN 931 8.8	
45	2	600.052	NUT M12 DIN 934 - 8	
46	2	200.028	WASHER	
47	2	600.027	SPRING PIN D 8 X 50 DIN 1481	
48	2	210.610/a	SPRING	
49	1	220.381	STEEL CABLE	
50	1	220.382	STEEL CABLE	
51	1	210.563	ARM	
52	1	220.380	BRACKET	
53	1	210.616	BRACKET	
54	1	210.976	BRACKET	
55	1	210.618	PULLEY BRACKET	
56	1	200.801	WHEEL ASSY R.H.	LH SIDE
59	1	610.411(*)	FITTING	
60	1	610.778(*)	HOSE SAE100 R2AT 3/8" FP 3/8" - FP90 3/8"	
61	1	600.270(*)	NIPPLE 3/8"	
62	1	600.039(*)	COPPER WASHER 3/8"	
63	2	600.174	SCREW M16 X 60 DIN 931 8.8	
64	2	600.968	GREASE NIPPLE M6 - 45°	
65	4	610.962	SCREW M12 X 30 DIN 933 8.8	
66	10	600.018	SPRING WASHER D 13	
67	1	210.977	PLATE	
68	2	600.180	SPRING WASHER D 17	
69	1	220.508	PLATE	
70	1	220.509	COUNTER PLATE	
71	2	620.018	SCREW M12x130 DIN 931 8.8	
72	4	600.441	SCREW M12x25 DIN 933 8.8	
(*)	1	220.404	HYDRAULIC ASSY	



AGRICULTURAL MACHINERY  
**sitrex**® SpA

Zona Industriale-Viale Grecia, 8  
06018 TRESTINA-(Perugia)-ITALY  
Tel. +39.075.8540021-Telefax +39.075.8540523  
e-mail: [sitrex@sitrex.it](mailto:sitrex@sitrex.it) [www.sitrex.com](http://www.sitrex.com)

